

# 1A Ultra Low Dropout Voltage Regulator

## GENERAL DESCRIPTION

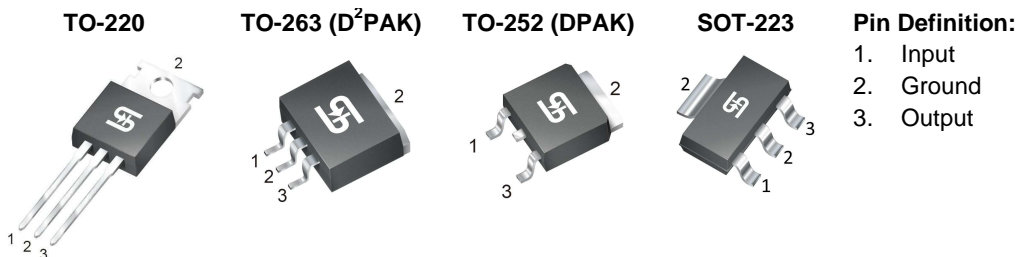
The TS2940 series of fixed-voltage monolithic micro-power voltage regulators is designed for a wide range of applications. This device excellent choice of use in battery-power application. Furthermore, the quiescent current increases on slightly at dropout, which prolongs battery life. This series of fixed-voltage regulators features low drop output voltage (Typ. 60mV at light load and 600mV at 800mA). This includes a tight initial tolerance of 2%, extremely good line regulation of 0.05% typ., and very low output temperature coefficient.

## FEATURES

- Dropout voltage typically 0.6V @  $I_o=800mA$
- Output current up to 1A
- Output voltage trimmed before assembly
- -18V Reverse peak voltage
- +30V Input over voltage protection
- +60V Transient peak voltage
- Internal current limit
- Thermal shutdown protection

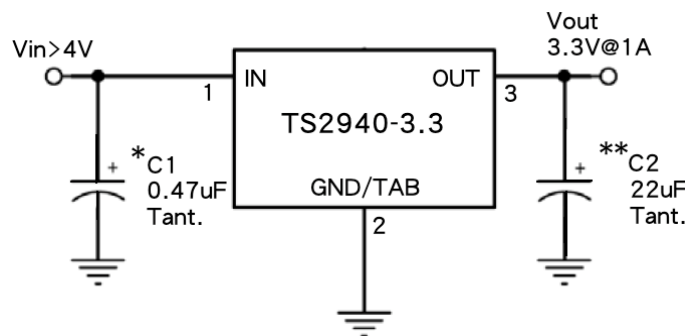
## APPLICATION

- Post Regulator for SMPS
- Industrial Instrumentation



**Notes:** Moisture sensitivity level: level 3. Per J-STD-020

## TYPICAL APPLICATION CIRCUIT



<b>ABSOLUTE MAXIMUM RATINGS</b> ( $T_A = 25^\circ\text{C}$ unless otherwise noted)			
PARAMETER	SYMBOL	LIMIT	UNIT
Input Supply Voltage <sup>(Note 2)</sup>	$V_{IN}$	-18 ~ +60	V
Input Supply Voltage	$V_{OPR}$	26	V
Power Dissipation <sup>(Note 3)</sup>	$P_D$	Internally Limited	W
Operating Junction Temperature Range	$T_J$	-40 ~ +125	$^\circ\text{C}$
Storage Temperature Range	$T_{STG}$	-65 ~ +150	$^\circ\text{C}$

<b>THERMAL PERFORMANCE</b>				
PARAMETER	PACKAGE TYPE	SYMBOL	LIMIT	UNIT
Thermal Resistance Junction to Ambient	TO-220	$R_{\theta JA}$	60	$^\circ\text{C/W}$
	TO-263		80	
	TO-252		150	
	SOT-223		170	

**Notes:**  $R_{\theta JA}$  is the sum of the junction-to-case and case-to-ambient thermal resistances. The case thermal reference is defined at the solder mounting surface of the drain pins.  $R_{\theta JA}$  is guaranteed by design while  $R_{\theta CA}$  is determined by the user's board design.  $R_{\theta JA}$  shown below for single device operation on FR-4 PCB in still air.

<b>ELECTRICAL SPECIFICATIONS</b>					
$(V_{IN}=V_{OUT}+1V, I_L=5mA, C_O=22\mu F, T_A=25^\circ\text{C}, \text{ unless otherwise noted})$					
PARAMETER	CONDITIONS	MIN	TYP	MAX	UNIT
Input Supply Voltage		--	--	26	V
Output Voltage	$5mA \leq I_L \leq 800mA,$ $V_O+5V \leq V_{IN} \leq 26V$	$0.970 V_O $	5.0 3.3	$1.030 V_O $	V
Output Voltage Temperature Coefficient		--	50	150	ppm/ $^\circ\text{C}$
Line Regulation	$V_O+2V \leq V_{IN} \leq 26V$	--	0.05	0.5	%
Load Regulation	$5mA \leq I_L \leq 800mA$	--	0.2	1.0	%
Dropout Voltage <sup>(Note 4)</sup>	$I_L=100mA$	--	100	200	mV
	$I_L=500mA$	--	300	500	
	$I_L=800mA$	--	600	800	
Quiescent Current <sup>(Note 5)</sup>	$I_L=5mA$	--	10	15	mA
	$I_L=800mA$	--	75	110	
Short Circuit Current <sup>(Note 6)</sup>	$V_{OUT} = 0$	--	--	1.5	A
Output Noise, 10Hz to 100KHz, $I_L=10mA$	$C_L=2.2\mu F$	--	500	--	$\mu\text{Vrms}$
	$C_L=3.3\mu F$	--	350	--	
	$C_L=33\mu F$	--	120	--	

## ELECTRICAL SPECIFICATIONS

**Note:**

1. Absolute Maximum Rating is limits beyond which damage to the device may occur. For guaranteed specifications and test conditions see the electrical characteristics.
2. Maximum positive supply voltage of 60V must be limited duration (<100ms) and duty cycle (<1%).
3. The maximum allowable power dissipation is a function of the maximum junction temperature,  $T_J$ , the junction to ambient thermal resistance,  $R_{\theta JA}$  and the ambient temperature,  $T_a$ . Exceeding the maximum allowable power dissipation will cause excessive die temperature, and the regulator will go into thermal shutdown. The effective value of  $R_{\theta JA}$  can be reduced by using a heatsink.
4. Dropout voltage is defined as the input to output differential at which the output voltage drops 2% below its nominal value measured at 1V differential.
5. Ground pin current is the regulator quiescent current. The total current drawn from the source is the sum of the ground pin current and output load current.
6. Output current will decrease with increasing temperature, but it will be not dropped below 1A at the maximum specified temperature.

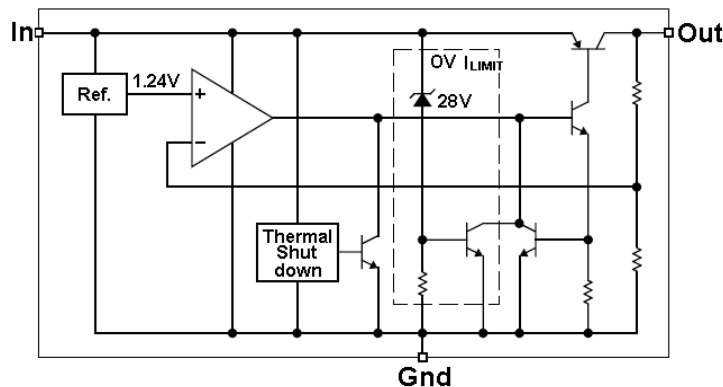
## ORDERING INFORMATION

OUTPUT VOLTAGE	PART NO.	PACKAGE	PACKING
3.3V	TS2940CZ33 C0G	TO-220	50pcs / Tube
3.3V	TS2940CM33 RNG	TO-263	800pcs / 13" Reel
3.3V	TS2940CP33 ROG	TO-252	2,500pcs / 13" Reel
3.3V	TS2940CW33 RPG	SOT-223	2,500pcs / 13" Reel
5.0V	TS2940CZ50 C0G	TO-220	50pcs / Tube
5.0V	TS2940CM50 RNG	TO-263	800pcs / 13" Reel
5.0V	TS2940CP50 ROG	TO-252	2,500pcs / 13" Reel
5.0V	TS2940CW50 RPG	SOT-223	2,500pcs / 13" Reel

**Note:**

1. Compliant to RoHS Directive 2011/65/EU and in accordance to WEEE 2002/96/EC.
2. Halogen-free according to IEC 61249-2-21 definition.

## BLOCK DIAGRAM



## APPLICATION INFORMATION

The TS2940 series is a high performance with low dropout voltage regulator suitable for moderate to high current and voltage regulator application. Its 600mA (typ) dropout voltage at full load and over temperature makes it especially valuable in battery power systems and as high efficiency noise filters in post regulator applications. Unlike normal NPN transistor design, where the base to emitter voltage drop and collector to emitter saturation voltage limit the minimum dropout voltage, dropout performance of the PNP output of these devices is limited only by low Vce saturation voltage.

The TS2940 series is fully protected from damage due to fault conditions. Linear current limiting is provided. Output current during overload conditions is constant. Thermal shutdown the device when the die temperature exceeds the maximum safe operating temperature. Transient protection allows device survival even when the input voltage spikes above and below nominal. The output structure of these regulators allows voltages in excess of the desired output voltage to be applied without reverse current flow.

### Output Capacitor

The TS2940 series requires an output capacitor to maintain stability and improve transient response. Proper capacitor selection is important to ensure proper operation. The output capacitor selection is dependent upon the ESR of the output capacitor the maintain stability. When the output capacitor is 22 $\mu$ F or greater, the output capacitor should have an ESR less than 2 ohm. This will improve transient response as well as promoted stability. Ultra low ESR capacitors (<100mohm), such as ceramic chip capacitors may promote instability. These very low ESR levels may cause an oscillation and/or under damped transient response. A low ESR solid tantalum capacitor works extremely well and provides good transient response and stability over temperature. Aluminum electrolytic can also be used, as long as the ESR of the capacitor is <2ohm. The value of the output capacitor can be increased without limit. Higher capacitance values help to improved transient response and ripple rejection and reduce output noise.

### Minimum Load Current

The TS2940 series is specified between finite loads. If the output current is too small leakage currents dominate and the output voltage rises. A 10mA minimum load current is necessary for proper regulation.

### Input Capacitor

An input capacitor of 1 $\mu$ F or greater is recommended when the device is more that 4 inches away from the bulk AC supply capacitance or when the supply is a battery. Small and surface mount ceramic chip capacitors can be used for bypassing. Larger values will help to improve ripple rejection by bypassing the input to the regulator, further improving the integrity of the output voltage.

## APPLICATION INFORMATION (CONTINUE)

### Thermal Characteristics

A heatsink may be required depending on the maximum power dissipation and maximum ambient temperature of the application. Under all possible operating conditions, the junction temperature must be within the range specified under absolute maximum ratings. To determine if the heatsink is required, the power dissipated by the regulator,  $P_D$  must be calculated.

The below formula shows the voltages and currents for calculating the  $P_D$  in the regulator:

$$I_{IN} = I_L / I_G$$

$$P_D = (V_{IN} - V_{OUT}) * I_L + (V_{IN}) * I_G$$

$$\begin{aligned} \text{Ex. } P_D &= (3.3V - 2.5V) * 1A + 3.3V * 11mA \\ &= 800mW + 36mW \\ &= 836mW \end{aligned}$$

Remark:  $I_L$  is output load current,

$I_G$  is ground current.

$V_{IN}$  is input voltage

$V_{OUT}$  is output voltage

The next parameter which must be calculated is the maximum allowable temperature rise.

$TR(\text{max})$  is calculated by the using to formula:

$$TR(\text{max}) = T_J(\text{max}) - T_A(\text{max})$$

Where:  $T_J(\text{max})$  is the maximum allowable junction temperature, which is 125°C for commercial grade parts.

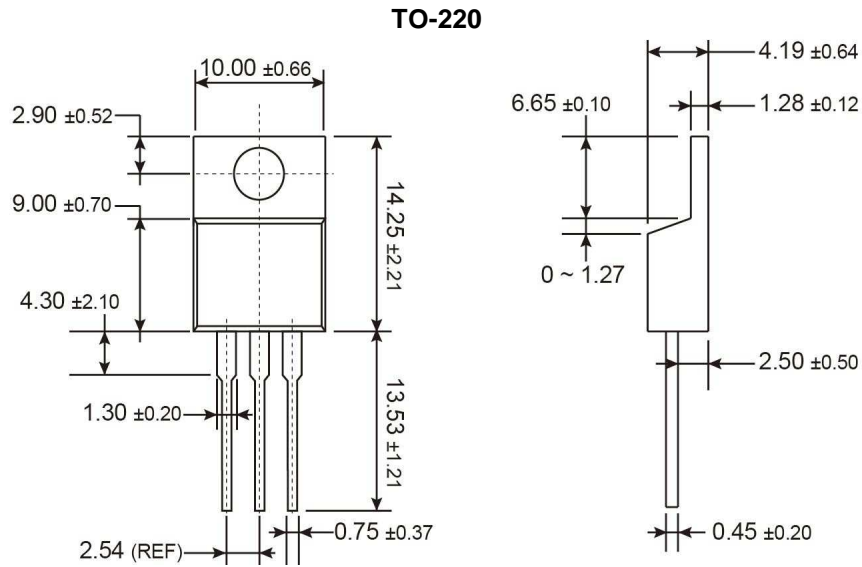
$T_A(\text{max})$  is the maximum ambient temperature which will be encountered in the application.

Using the calculated values for  $TR(\text{max})$  and  $PD$ , the maximum allowable value for the junction to ambient thermal resistance,  $\theta_{JA}$ , can now be found:

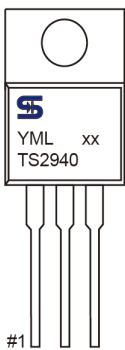
$$R_{\theta JA} = TR(\text{max}) / PD$$

**IMPORTANT:** if the maximum allowable value for is found to be  $\geq 60^\circ\text{C}/W$  for the TO-220 package,  $\geq 80^\circ\text{C}/W$  for the TO-263 package,  $\geq 150^\circ\text{C}/W$  for the TO-252 package, or  $\geq 170^\circ\text{C}/W$  for the SOT-223 package, no heatsink is needed since the package alone will dissipate enough heat to satisfy these requirements. If the calculated value for  $R_{\theta JA}$  falls below these limits, a heatsink is required.

**PACKAGE OUTLINE DIMENSIONS** (Unit: Millimeters)

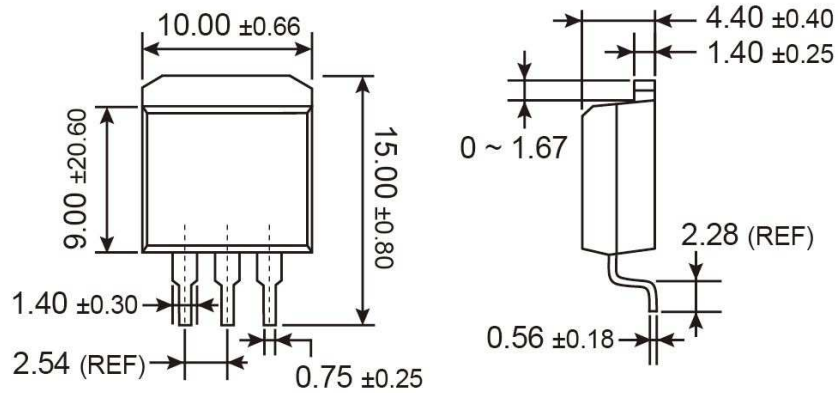


**MARKING DIAGRAM**

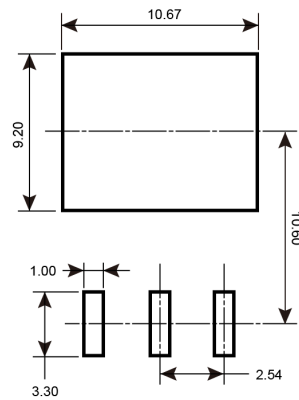


- xx** = Voltage code (33=3.3V, 50=5V)
- Y** = Year Code
- M** = Month Code for Halogen Free Product
  - O** =Jan    **P** =Feb    **Q** =Mar    **R** =Apr
  - S** =May    **T** =Jun    **U** =Jul    **V** =Aug
  - W** =Sep    **X** =Oct    **Y** =Nov    **Z** =Dec
- L** = Lot Code (1~9, A~Z)

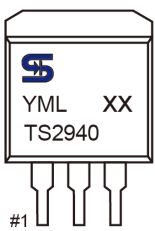
**PACKAGE OUTLINE DIMENSIONS** (Unit: Millimeters)  
**TO-263**



**SUGGESTED PAD LAYOUT** (Unit: Millimeters)



**MARKING DIAGRAM**



**xx** = Voltage code (33=3.3V, 50=5V)

**Y** = Year Code

**M** = Month Code for Halogen Free Product

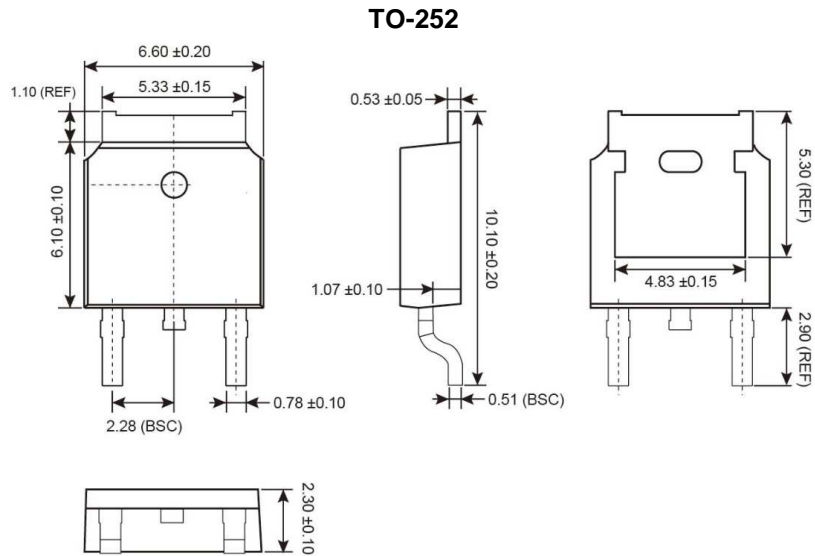
**O** =Jan **P** =Feb **Q** =Mar **R** =Apr

**S** =May **T** =Jun **U** =Jul **V** =Aug

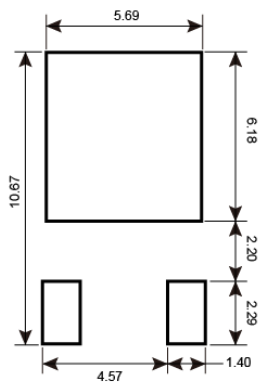
**W** =Sep **X** =Oct **Y** =Nov **Z** =Dec

**L** = Lot Code (1~9, A~Z)

**PACKAGE OUTLINE DIMENSIONS** (Unit: Millimeters)



**SUGGESTED PAD LAYOUT** (Unit: Millimeters)



**MARKING DIAGRAM**

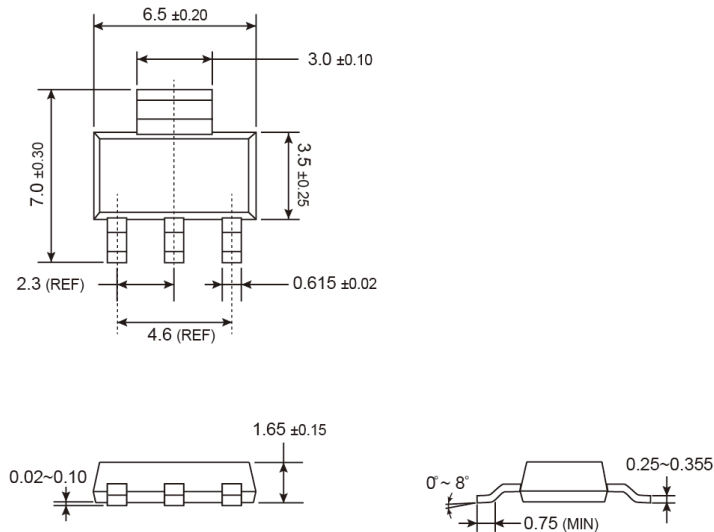


- Y** = Year Code
- M** = Month Code for Halogen Free Product
  - O** =Jan    **P** =Feb    **Q** =Mar    **R** =Apr
  - S** =May    **T** =Jun    **U** =Jul    **V** =Aug
  - W** =Sep    **X** =Oct    **Y** =Nov    **Z** =Dec
- L** = Lot Code (1~9, A~Z)

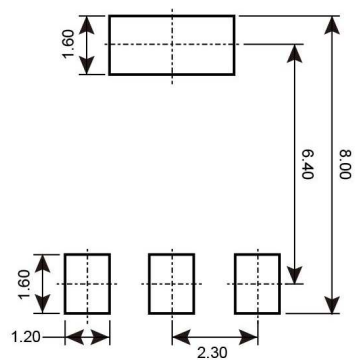


**PACKAGE OUTLINE DIMENSIONS** (Unit: Millimeters)

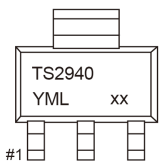
**SOT-223**



**SUGGESTED PAD LAYOUT** (Unit: Millimeters)



**MARKING DIAGRAM**



- Y** = Year Code
- M** = Month Code for Halogen Free Product
  - O** =Jan    **P** =Feb    **Q** =Mar    **R** =Apr
  - S** =May    **T** =Jun    **U** =Jul    **V** =Aug
  - W** =Sep    **X** =Oct    **Y** =Nov    **Z** =Dec
- L** = Lot Code (1~9, A~Z)

## Notice

Specifications of the products displayed herein are subject to change without notice. TSC or anyone on its behalf, assumes no responsibility or liability for any errors or inaccuracies.

Information contained herein is intended to provide a product description only. No license, express or implied, to any intellectual property rights is granted by this document. Except as provided in TSC's terms and conditions of sale for such products, TSC assumes no liability whatsoever, and disclaims any express or implied warranty, relating to sale and/or use of TSC products including liability or warranties relating to fitness for a particular purpose, merchantability, or infringement of any patent, copyright, or other intellectual property right.

The products shown herein are not designed for use in medical, life-saving, or life-sustaining applications. Customers using or selling these products for use in such applications do so at their own risk and agree to fully indemnify TSC for any damages resulting from such improper use or sale.

Компания «Океан Электроники» предлагает заключение долгосрочных отношений при поставках импортных электронных компонентов на взаимовыгодных условиях!

Наши преимущества:

- Поставка оригинальных импортных электронных компонентов напрямую с производств Америки, Европы и Азии, а так же с крупнейших складов мира;
- Широкая линейка поставок активных и пассивных импортных электронных компонентов (более 30 млн. наименований);
- Поставка сложных, дефицитных, либо снятых с производства позиций;
- Оперативные сроки поставки под заказ (от 5 рабочих дней);
- Экспресс доставка в любую точку России;
- Помощь Конструкторского Отдела и консультации квалифицированных инженеров;
- Техническая поддержка проекта, помощь в подборе аналогов, поставка прототипов;
- Поставка электронных компонентов под контролем ВП;
- Система менеджмента качества сертифицирована по Международному стандарту ISO 9001;
- При необходимости вся продукция военного и аэрокосмического назначения проходит испытания и сертификацию в лаборатории (по согласованию с заказчиком);
- Поставка специализированных компонентов военного и аэрокосмического уровня качества (Xilinx, Altera, Analog Devices, Intersil, Interpoint, Microsemi, Actel, Aeroflex, Peregrine, VPT, Syfer, Eurofarad, Texas Instruments, MS Kennedy, Miteq, Cobham, E2V, MA-COM, Hittite, Mini-Circuits, General Dynamics и др.);

Компания «Океан Электроники» является официальным дистрибьютором и эксклюзивным представителем в России одного из крупнейших производителей разъемов военного и аэрокосмического назначения «JONHON», а так же официальным дистрибьютором и эксклюзивным представителем в России производителя высокотехнологичных и надежных решений для передачи СВЧ сигналов «FORSTAR».



## JONHON

«JONHON» (основан в 1970 г.)

Разъемы специального, военного и аэрокосмического назначения:

(Применяются в военной, авиационной, аэрокосмической, морской, железнодорожной, горно- и нефтедобывающей отраслях промышленности)

«FORSTAR» (основан в 1998 г.)

ВЧ соединители, коаксиальные кабели,  
кабельные сборки и микроволновые компоненты:

(Применяются в телекоммуникациях гражданского и специального назначения, в средствах связи, РЛС, а так же военной, авиационной и аэрокосмической отраслях промышленности).



Телефон: 8 (812) 309-75-97 (многоканальный)

Факс: 8 (812) 320-03-32

Электронная почта: [ocean@oceanchips.ru](mailto:ocean@oceanchips.ru)

Web: <http://oceanchips.ru/>

Адрес: 198099, г. Санкт-Петербург, ул. Калинина, д. 2, корп. 4, лит. А