

## 50mA/200mA Inductor Built-in Step-Down “micro DC/DC” Converters

☆Green Operation Compatible

### ■ GENERAL DESCRIPTION

The XCL210 series is a synchronous step-down micro DC/DC converter which integrates an inductor and a control IC in one tiny package (2.0mm×2.5mm, h=1.0mm). An internal coil simplifies the circuit and enables minimization of noise and other operational trouble due to the circuit wiring. A wide operating voltage range of 2.0V to 6.0V enables support for applications that require an internally fixed output voltage from 1.0V to 4.0V (Type A/B/C/D), 0.6V to 0.95V (Type F/H) in increments of 0.05V. During stand-by, all circuits are shutdown to reduce current consumption to as low as 0.1μA or less.

With the built-in UVLO (Under Voltage Lock Out) function, the internal P-channel MOS driver transistor is forced OFF when input voltage becomes UVLO detect Voltage or lower.

The XCL210 integrate  $C_L$  discharge function which enables the electric charge at the output capacitor  $C_L$  to be discharged via the internal discharge switch located between the Lx and Vss pins. When the devices enter stand-by mode, output voltage quickly returns to the Vss level as a result of this function.

### ■ APPLICATIONS

- Wearable Devices
- Smart meters
- Bluetooth units
- Energy Harvest devices
- Back up power supply circuits
- Portable game consoles
- Devices with 1 Lithium cell

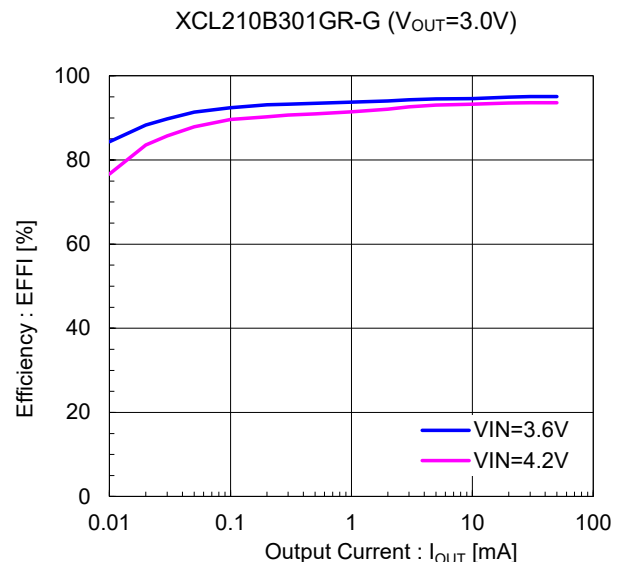
### ■ FEATURES

|                               |   |   |
|-------------------------------|---|---|
| Input Voltage                 | : | 2.0V ~ 6.0V   |
| Output Voltage                | : | 1.0V ~ 4.0V (±2.0%, Type A/B/C/D)<br>0.6V ~ 0.95V (±2.0%, Type F/H) |
| Control Methods               | : | PFM control   |
| Output Current                | : | 200mA (Type A/C)<br>50mA (Type B/D/F/H)                             |
| Supply Current                | : | 0.5μA   |
| High Efficiency               | : | 93% ( $V_{IN}=3.6V, V_{OUT}=3.0V/100\mu A$ )                        |
| Function                      | : | UVLO<br>Short Circuit Protection<br>$C_L$ Discharge (Type C/D/H)    |
| Capacitor                     | : | Low ESR Ceramic Capacitor   |
| Operating Ambient Temperature | : | -40°C ~ 85°C  |
| Packages                      | : | CL-2025-02  |
| Environmentally Friendly      | : | EU RoHS Compliant, Pb Free  |

### ■ TYPICAL APPLICATION CIRCUIT



### ■ TYPICAL PERFORMANCE CHARACTERISTICS



# XCL210 Series

## ■ BLOCK DIAGRAM

XCL210 Series, Type A/B/F



\* XCL210A and B and F type do not have  $C_L$  Discharge function.

\* Diodes inside the circuits are ESD protection diodes and parasitic diodes.

XCL210 Series, Type C/D/H



\* Diodes inside the circuits are ESD protection diodes and parasitic diodes.

## ■ PRODUCT CLASSIFICATION

● Ordering information (Type A/B/C/D)

XCL210①②③④⑤⑥-⑦ PFM control

| DESIGNATOR          | ITEM                 | SYMBOL  | DESCRIPTION  |
|---------------------|----------------------|---------|--|
| ①                   | Product Type         | A       | I <sub>OUT</sub> =200mA , Without C <sub>L</sub> Auto Discharge  |
|                     |                      | B       | I <sub>OUT</sub> =50mA Without C <sub>L</sub> Auto Discharge   |
|                     |                      | C       | I <sub>OUT</sub> =200mA , With C <sub>L</sub> Auto Discharge   |
|                     |                      | D       | I <sub>OUT</sub> =50mA, With C <sub>L</sub> Auto Discharge   |
| ②③                  | Output Voltage       | 10 ~ 40 | Output voltage options<br>e.g.) 1.2V → ② = 1 ③ = 2<br>1.25V → ② = 1 ③ = C<br>0.05V increments :<br>0.05=A, 0.15=B, 0.25=C, 0.35=D, 0.45=E,<br>0.55=F, 0.65=H, 0.75=K, 0.85=L, 0.95=M |
| ④                   | Fixed number         | 1       | Fixed number   |
| ⑤⑥-⑦ <sup>(*)</sup> | Package (Order Unit) | GR-G    | CL-2025-02 (3,000pcs/Reel)   |

<sup>(\*)</sup> The "-G" suffix denotes Halogen and Antimony free as well as being fully EU RoHS compliant.

● Ordering information (Type F/H)

XCL210①②③④⑤⑥-⑦ PFM control

| DESIGNATOR          | ITEM                 | SYMBOL  | DESCRIPTION   |
|---------------------|----------------------|---------|---|
| ①                   | Product Type         | F       | I <sub>OUT</sub> =50mA , Without C <sub>L</sub> Auto Discharge  |
|                     |                      | H       | I <sub>OUT</sub> =50mA , With C <sub>L</sub> Auto Discharge   |
| ②③                  | Output Voltage       | 06 ~ 0M | Output voltage options<br>e.g.) 0.6V → ② = 0 ③ = 6<br>0.95V → ② = 0 ③ = M<br>0.05V increments :<br>0.65=H, 0.75=K, 0.85=L, 0.95=M |
| ④                   | Fixed number         | 1       | Fixed number  |
| ⑤⑥-⑦ <sup>(*)</sup> | Package (Order Unit) | GR-G    | CL-2025-02 (3,000pcs/Reel)  |

<sup>(\*)</sup> The "-G" suffix denotes Halogen and Antimony free as well as being fully EU RoHS compliant.

## PIN CONFIGURATION



(BOTTOM VIEW)

\* The dissipation pad for the CL-2025-02 package should be solder-plated in recommended mount pattern and metal masking so as to enhance mounting strength and heat release.  
The mount pattern should be connected to GND pin (No.2).

## PIN ASSIGNMENT

| PIN NUMBER | PIN NAME         | FUNCTIONS           |
|------------|------------------|---------------------|
| 1          | L <sub>X</sub>   | Switching           |
| 2          | GND              | Ground              |
| 3          | V <sub>OUT</sub> | Output Voltage      |
| 4          | CE               | Chip Enable         |
| 5          | NC               | No Connection       |
| 6          | V <sub>IN</sub>  | Power Input         |
| 7          | L1               | Inductor Electrodes |
| 8          | L2               | Inductor Electrodes |

## CE PIN FUNCTION

| PIN NAME | SIGNAL | STATUS                |
|----------|--------|-----------------------|
| CE       | H      | Operation (All Types) |
|          | L      | Stand-by (All Types)  |

\* Please do not leave the CE pin open.

## ABSOLUTE MAXIMUM RATINGS

| PARAMETER                                | SYMBOL           | RATINGS   | UNITS |
|--|------------------|---|-------|
| V <sub>IN</sub> Pin Voltage              | V <sub>IN</sub>  | -0.3 ~ 7.0  | V     |
| L <sub>X</sub> Pin Voltage               | V <sub>LX</sub>  | -0.3 ~ V <sub>IN</sub> + 0.3 or 7.0 <sup>(*)1</sup> | V     |
| V <sub>OUT</sub> Pin Voltage             | V <sub>OUT</sub> | -0.3 ~ V <sub>IN</sub> + 0.3 or 7.0 <sup>(*)1</sup> | V     |
| CE Pin Voltage                           | V <sub>CE</sub>  | -0.3 ~ 7.0  | V     |
| L <sub>X</sub> Pin Current               | I <sub>LX</sub>  | 1000  | mA    |
| Power Dissipation (T <sub>a</sub> =25°C) | P <sub>d</sub>   | 1000 (40mm x 40mm Standard board) <sup>(*)2</sup>   | mW    |
| Operating Ambient Temperature            | T <sub>opr</sub> | -40 ~ 85  | °C    |
| Storage Temperature                      | T <sub>stg</sub> | -55 ~ 125   | °C    |

\* All voltages are described based on the GND.

<sup>(\*)1</sup> The maximum value is the lower of either V<sub>IN</sub> + 0.3V or +7.0V.

<sup>(\*)2</sup> The power dissipation figure shown is PCB mounted and is for reference only.  
The mounting condition is please refer to PACKAGING INFORMATION.

## ■ ELECTRICAL CHARACTERISTICS

Ta=25°C

● XCL210Axx1GR-G, without CL discharge function

| PARAMETER  | SYMBOL  | CONDITIONS   | MIN. | TYP.               | MAX. | UNITS  | CIRCUIT |
|--|---|--|------|--------------------|------|--------|---------|
| Input Voltage  | V <sub>IN</sub>   | -  | 2.0  | -                  | 6.0  | V      | ①       |
| Output Voltage                                       | V <sub>OUT(E)</sub> <sup>(2)</sup>                      | Resistor connected with L <sub>X</sub> pin. Voltage which L <sub>X</sub> pin changes "L" to "H" level while V <sub>OUT</sub> is decreasing.  | E1   |                    |      | V      | ②       |
| UVLO Release Voltage                                 | V <sub>UVLO(E)</sub>                                    | V <sub>CE</sub> =V <sub>IN</sub> , V <sub>OUT</sub> =0V. Resistor connected with L <sub>X</sub> pin. Voltage which L <sub>X</sub> pin changes "L" to "H" level while V <sub>IN</sub> is increasing.                                  | 1.65 | 1.80               | 1.95 | V      | ②       |
| UVLO Hysteresis Voltage                              | V <sub>HYS(E)</sub>                                     | V <sub>CE</sub> =V <sub>IN</sub> , V <sub>OUT</sub> =0V. Resistor connected with L <sub>X</sub> pin. V <sub>UVLO(E)</sub> - Voltage which L <sub>X</sub> pin changes "H" to "L" level while V <sub>IN</sub> is decreasing.           | 0.11 | 0.15               | 0.24 | V      | ②       |
| Supply Current                                       | I <sub>q</sub>  | V <sub>IN</sub> =V <sub>CE</sub> =V <sub>OUT(T)</sub> +0.5V <sup>(*)</sup> , V <sub>IN</sub> =2.0V, if V <sub>OUT(T)</sub> ≤1.5V <sup>(*)</sup> , V <sub>OUT</sub> =V <sub>OUT(T)</sub> +0.5V <sup>(*)</sup> , L <sub>X</sub> =Open. | E2   |                    |      | μA     | ③       |
| Standby Current                                      | I <sub>STB</sub>  | V <sub>IN</sub> =5.0V, V <sub>CE</sub> =V <sub>OUT</sub> =0V, L <sub>X</sub> =Open.  | -    | 0.1                | 1.0  | μA     | ③       |
| L <sub>X</sub> SW "H" Leak Current                   | I <sub>LEAKH</sub>                                      | V <sub>IN</sub> =5.0V, V <sub>CE</sub> =V <sub>OUT</sub> =0V, V <sub>LX</sub> =0V.   | -    | 0.1                | 1.0  | μA     | ③       |
| L <sub>X</sub> SW "L" Leak Current                   | I <sub>LEAKL</sub>                                      | V <sub>IN</sub> =5.0V, V <sub>CE</sub> =V <sub>OUT</sub> =0V, V <sub>LX</sub> =5.0V.   | -    | 0.1                | 1.0  | μA     | ③       |
| PFM Switching Current                                | I <sub>PFM</sub>  | V <sub>IN</sub> =V <sub>CE</sub> =V <sub>OUT(T)</sub> +2.0V <sup>(*)</sup> , I <sub>OUT</sub> =10mA.   | 260  | 330                | 400  | mA     | ①       |
| Maximum Duty Ratio <sup>(3)</sup>                    | MAXDTY  | V <sub>IN</sub> =V <sub>OUT</sub> =V <sub>OUT(T)</sub> ×0.95V <sup>(*)</sup> , V <sub>CE</sub> =1.2V<br>Resistor connected with L <sub>X</sub> pin.  | 100  | -                  | -    | %      | ②       |
| Efficiency <sup>(4)</sup>                            | EFFI  | V <sub>IN</sub> =V <sub>CE</sub> =5.0V, V <sub>OUT(T)</sub> =4.0V <sup>(*)</sup> , I <sub>OUT</sub> =30mA.   | -    | 93                 | -    | %      | ⑥       |
| Efficiency <sup>(4)</sup>                            | EFFI  | V <sub>IN</sub> =V <sub>CE</sub> =3.6V, V <sub>OUT(T)</sub> =3.3V <sup>(*)</sup> , I <sub>OUT</sub> =30mA.   | -    | 93                 | -    | %      | ⑥       |
| Efficiency <sup>(4)</sup>                            | EFFI  | V <sub>IN</sub> =V <sub>CE</sub> =3.6V, V <sub>OUT(T)</sub> =1.8V <sup>(*)</sup> , I <sub>OUT</sub> =30mA.   | -    | 87                 | -    | %      | ⑥       |
| L <sub>X</sub> SW "Pch" ON Resistance <sup>(5)</sup> | R <sub>LXP</sub>  | V <sub>IN</sub> =V <sub>CE</sub> =5.0V, V <sub>OUT</sub> =0V, I <sub>LX</sub> =100mA.  | -    | 0.4                | 0.65 | Ω      | ④       |
| L <sub>X</sub> SW "Nch" ON Resistance                | R <sub>LXN</sub>  | V <sub>IN</sub> =V <sub>CE</sub> =5.0V.  | -    | 0.4 <sup>(6)</sup> | -    | Ω      | -       |
| Output Voltage Temperature Characteristics           | $\frac{\Delta V_{out}}{(V_{out} \cdot \Delta T_{opr})}$ | -40°C ≤ T <sub>opr</sub> ≤ 85°C.   | -    | ±100               | -    | ppm/°C | ②       |
| CE "High" Voltage                                    | V <sub>CEH</sub>  | V <sub>OUT</sub> =0V. Resistor connected with L <sub>X</sub> pin. Voltage which L <sub>X</sub> pin changes "L" to "H" level while V <sub>CE</sub> =0.2→1.5V.   | 1.2  | -                  | 6.0  | V      | ⑤       |
| CE "Low" Voltage                                     | V <sub>CEL</sub>  | V <sub>OUT</sub> =0V. Resistor connected with L <sub>X</sub> pin. Voltage which L <sub>X</sub> pin changes "H" to "L" level while V <sub>CE</sub> =1.5→0.2V.   | GND  | -                  | 0.3  | V      | ⑤       |
| CE "High" Current                                    | I <sub>CEH</sub>  | V <sub>IN</sub> =V <sub>CE</sub> =5.0V, V <sub>OUT</sub> =0V, L <sub>X</sub> =Open.  | -0.1 | -                  | 0.1  | μA     | ⑤       |
| CE "Low" Current                                     | I <sub>CEL</sub>  | V <sub>IN</sub> =5.0V, V <sub>CE</sub> =V <sub>OUT</sub> =0V, L <sub>X</sub> =Open.  | -0.1 | -                  | 0.1  | μA     | ⑤       |
| Short Protection Threshold Voltage                   | V <sub>SHORT</sub>                                      | Resistor connected with L <sub>X</sub> pin. Voltage which L <sub>X</sub> pin changes "H" to "L" level while V <sub>OUT</sub> =V <sub>OUT(T)</sub> +0.1V→0V <sup>(*)</sup> .  | 0.4  | 0.5                | 0.6  | V      | ②       |
| Inductance Value                                     | L   | Test Frequency=1MHz  | -    | 8.0                | -    | μH     |         |
| Inductor Rated Current                               | I <sub>DC_L</sub>                                       | ΔT=+40°C   | -    | 600                | -    | mA     |         |

Unless otherwise stated, V<sub>IN</sub>=V<sub>CE</sub>=5.0V

(\*) V<sub>OUT(T)</sub>=Nominal Output Voltage

(2) V<sub>OUT(E)</sub>=Effective Output Voltage

The actual output voltage value V<sub>OUT(E)</sub> is the PFM comparator threshold voltage in the IC.

Therefore, the DC/DC circuit output voltage, including the peripheral components, is boosted by the ripple voltage average value.

Please refer to the characteristic example.

(3) Not applicable to the products with V<sub>OUT(T)</sub> < 2.15V since it is out of operational voltage range.

(4) EFFI=[{(Output Voltage)×(Output Current)} / {(Input Voltage)×(Input Current)}]×100

(5) L<sub>X</sub> SW "Pch" ON resistance = (V<sub>IN</sub> - V<sub>LX</sub> pin measurement voltage) / 100mA

(6) Designed value

## ELECTRICAL CHARACTERISTICS (Continued)

● XCL210Bxx1GR-G, without C<sub>L</sub> discharge function

T<sub>a</sub>=25°C

| PARAMETER  | SYMBOL  | CONDITIONS   | MIN. | TYP.               | MAX. | UNITS  | CIRCUIT |
|--|---|--|------|--------------------|------|--------|---------|
| Input Voltage  | V <sub>IN</sub>                                       | -  | 2.0  | -                  | 6.0  | V      | ①       |
| Output Voltage                                       | V <sub>OUT(E)</sub> <sup>(2)</sup>                    | Resistor connected with L <sub>X</sub> pin. Voltage which L <sub>X</sub> pin changes "L" to "H" level while V <sub>OUT</sub> is decreasing.  | E1   |                    |      | V      | ②       |
| UVLO Release Voltage                                 | V <sub>UVLO(E)</sub>                                  | V <sub>CE</sub> =V <sub>IN</sub> , V <sub>OUT</sub> =0V. Resistor connected with L <sub>X</sub> pin. Voltage which L <sub>X</sub> pin changes "L" to "H" level while V <sub>IN</sub> is increasing.                                  | 1.65 | 1.80               | 1.95 | V      | ②       |
| UVLO Hysteresis Voltage                              | V <sub>HYS(E)</sub>                                   | V <sub>CE</sub> =V <sub>IN</sub> , V <sub>OUT</sub> =0V. Resistor connected with L <sub>X</sub> pin. V <sub>UVLO(E)</sub> - Voltage which L <sub>X</sub> pin changes "H" to "L" level while V <sub>IN</sub> is decreasing.           | 0.11 | 0.15               | 0.24 | V      | ②       |
| Supply Current                                       | I <sub>q</sub>  | V <sub>IN</sub> =V <sub>CE</sub> =V <sub>OUT(T)</sub> +0.5V <sup>(*)</sup> , V <sub>IN</sub> =2.0V, if V <sub>OUT(T)</sub> ≤1.5V <sup>(*)</sup> , V <sub>OUT</sub> =V <sub>OUT(T)</sub> +0.5V <sup>(*)</sup> , L <sub>X</sub> =Open. | E2   |                    |      | μA     | ③       |
| Standby Current                                      | I <sub>STB</sub>                                      | V <sub>IN</sub> =5.0V, V <sub>CE</sub> =V <sub>OUT</sub> =0V, L <sub>X</sub> =Open.  | -    | 0.1                | 1.0  | μA     | ③       |
| L <sub>X</sub> SW "H" Leak Current                   | I <sub>LEAKH</sub>                                    | V <sub>IN</sub> =5.0V, V <sub>CE</sub> =V <sub>OUT</sub> =0V, V <sub>LX</sub> =0V.   | -    | 0.1                | 1.0  | μA     | ③       |
| L <sub>X</sub> SW "L" Leak Current                   | I <sub>LEAKL</sub>                                    | V <sub>IN</sub> =5.0V, V <sub>CE</sub> =V <sub>OUT</sub> =0V, V <sub>LX</sub> =5.0V.   | -    | 0.1                | 1.0  | μA     | ③       |
| PFM Switching Current                                | I <sub>PFM</sub>                                      | V <sub>IN</sub> =V <sub>CE</sub> =V <sub>OUT(T)</sub> +2.0V <sup>(*)</sup> , I <sub>OUT</sub> =10mA.   | 115  | 180                | 250  | mA     | ①       |
| Maximum Duty Ratio <sup>(3)</sup>                    | MAXDTY  | V <sub>IN</sub> =V <sub>OUT</sub> =V <sub>OUT(T)</sub> ×0.95V <sup>(*)</sup> , V <sub>CE</sub> =1.2V<br>Resistor connected with L <sub>X</sub> pin.  | 100  | -                  | -    | %      | ②       |
| Efficiency <sup>(4)</sup>                            | EFFI  | V <sub>IN</sub> =V <sub>CE</sub> =5.0V, V <sub>OUT(T)</sub> =4.0V <sup>(*)</sup> , I <sub>OUT</sub> =30mA.   | -    | 95                 | -    | %      | ⑥       |
| Efficiency <sup>(4)</sup>                            | EFFI  | V <sub>IN</sub> =V <sub>CE</sub> =3.6V, V <sub>OUT(T)</sub> =3.3V <sup>(*)</sup> , I <sub>OUT</sub> =30mA.   | -    | 95                 | -    | %      | ⑥       |
| Efficiency <sup>(4)</sup>                            | EFFI  | V <sub>IN</sub> =V <sub>CE</sub> =3.6V, V <sub>OUT(T)</sub> =1.8V <sup>(*)</sup> , I <sub>OUT</sub> =30mA.   | -    | 89                 | -    | %      | ⑥       |
| L <sub>X</sub> SW "Pch" ON Resistance <sup>(5)</sup> | R <sub>LXP</sub>                                      | V <sub>IN</sub> =V <sub>CE</sub> =5.0V, V <sub>OUT</sub> =0V, I <sub>LX</sub> =100mA.  | -    | 0.4                | 0.65 | Ω      | ④       |
| L <sub>X</sub> SW "Nch" ON Resistance                | R <sub>LXN</sub>                                      | V <sub>IN</sub> =V <sub>CE</sub> =5.0V.  | -    | 0.4 <sup>(6)</sup> | -    | Ω      | -       |
| Output Voltage Temperature Characteristics           | $\frac{\Delta V_{OUT}}{V_{OUT} \cdot \Delta T_{opr}}$ | -40°C ≤ T <sub>opr</sub> ≤ 85°C.   | -    | ±100               | -    | ppm/°C | ②       |
| CE "High" Voltage                                    | V <sub>CEH</sub>                                      | V <sub>OUT</sub> =0V. Resistor connected with L <sub>X</sub> pin. Voltage which L <sub>X</sub> pin changes "L" to "H" level while V <sub>CE</sub> =0.2→1.5V.   | 1.2  | -                  | 6.0  | V      | ⑤       |
| CE "Low" Voltage                                     | V <sub>CEL</sub>                                      | V <sub>OUT</sub> =0V. Resistor connected with L <sub>X</sub> pin. Voltage which L <sub>X</sub> pin changes "H" to "L" level while V <sub>CE</sub> =1.5→0.2V.   | GND  | -                  | 0.3  | V      | ⑤       |
| CE "High" Current                                    | I <sub>CEH</sub>                                      | V <sub>IN</sub> =V <sub>CE</sub> =5.0V, V <sub>OUT</sub> =0V, L <sub>X</sub> =Open.  | -0.1 | -                  | 0.1  | μA     | ⑤       |
| CE "Low" Current                                     | I <sub>CEL</sub>                                      | V <sub>IN</sub> =5.0V, V <sub>CE</sub> =V <sub>OUT</sub> =0V, L <sub>X</sub> =Open.  | -0.1 | -                  | 0.1  | μA     | ⑤       |
| Short Protection Threshold Voltage                   | V <sub>SHORT</sub>                                    | Resistor connected with L <sub>X</sub> pin. Voltage which L <sub>X</sub> pin changes "H" to "L" level while V <sub>OUT</sub> =V <sub>OUT(T)</sub> +0.1V→0V <sup>(*)</sup> .  | 0.4  | 0.5                | 0.6  | V      | ②       |
| Inductance Value                                     | L   | Test Frequency=1MHz  | -    | 8.0                | -    | μH     |         |
| Inductor Rated Current                               | I <sub>DC_L</sub>                                     | ΔT=+40°C   | -    | 600                | -    | mA     |         |

Unless otherwise stated, V<sub>IN</sub>=V<sub>CE</sub>=5.0V

(\*) V<sub>OUT(T)</sub>=Nominal Output Voltage

(2) V<sub>OUT(E)</sub>=Effective Output Voltage

The actual output voltage value V<sub>OUT(E)</sub> is the PFM comparator threshold voltage in the IC.

Therefore, the DC/DC circuit output voltage, including the peripheral components, is boosted by the ripple voltage average value.

Please refer to the characteristic example.

(3) Not applicable to the products with V<sub>OUT(T)</sub> < 2.15V since it is out of operational voltage range.

(4) EFFI=[{(Output Voltage)×(Output Current)} / {(Input Voltage)×(Input Current)}]×100

(5) L<sub>X</sub> SW "Pch" ON resistance = (V<sub>IN</sub> - V<sub>LX</sub> pin measurement voltage) / 100mA

(6) Designed value

## ■ ELECTRICAL CHARACTERISTICS (Continued)

● XCL210Cxx1GR-G, with C<sub>L</sub> Discharge Function

T<sub>a</sub>=25°C

| PARAMETER  | SYMBOL  | CONDITIONS   | MIN. | TYP.               | MAX. | UNITS  | CIRCUIT |
|--|---|--|------|--------------------|------|--------|---------|
| Input Voltage  | V <sub>IN</sub>   | -  | 2.0  | -                  | 6.0  | V      | ①       |
| Output Voltage                                       | V <sub>OUT(E)</sub> <sup>(2)</sup>                            | Resistor connected with L <sub>X</sub> pin. Voltage which L <sub>X</sub> pin changes "L" to "H" level while V <sub>OUT</sub> is decreasing.  | E1   |                    |      | V      | ②       |
| UVLO Release Voltage                                 | V <sub>UVLO(E)</sub>  | V <sub>CE</sub> =V <sub>IN</sub> , V <sub>OUT</sub> =0V. Resistor connected with L <sub>X</sub> pin. Voltage which L <sub>X</sub> pin changes "L" to "H" level while V <sub>IN</sub> is increasing.                                  | 1.65 | 1.80               | 1.95 | V      | ②       |
| UVLO Hysteresis Voltage                              | V <sub>HYS(E)</sub>   | V <sub>CE</sub> =V <sub>IN</sub> , V <sub>OUT</sub> =0V. Resistor connected with L <sub>X</sub> pin. V <sub>UVLO(E)</sub> - Voltage which L <sub>X</sub> pin changes "H" to "L" level while V <sub>IN</sub> is decreasing.           | 0.11 | 0.15               | 0.24 | V      | ②       |
| Supply Current                                       | I <sub>q</sub>  | V <sub>IN</sub> =V <sub>CE</sub> =V <sub>OUT(T)</sub> +0.5V <sup>(*)</sup> , V <sub>IN</sub> =2.0V, if V <sub>OUT(T)</sub> ≤1.5V <sup>(*)</sup> , V <sub>OUT</sub> =V <sub>OUT(T)</sub> +0.5V <sup>(*)</sup> , L <sub>X</sub> =Open. | E2   |                    |      | μA     | ③       |
| Standby Current                                      | I <sub>STB</sub>  | V <sub>IN</sub> =5.0V, V <sub>CE</sub> =V <sub>OUT</sub> =0V, L <sub>X</sub> =Open.  | -    | 0.1                | 1.0  | μA     | ③       |
| L <sub>X</sub> SW "H" Leak Current                   | I <sub>LEAKH</sub>  | V <sub>IN</sub> =5.0V, V <sub>CE</sub> =V <sub>OUT</sub> =0V, V <sub>LX</sub> =0V.   | -    | 0.1                | 1.0  | μA     | ③       |
| L <sub>X</sub> SW "L" Leak Current                   | I <sub>LEAKL</sub>  | V <sub>IN</sub> =5.0V, V <sub>CE</sub> =V <sub>OUT</sub> =0V, V <sub>LX</sub> =5.0V.   | -    | 0.1                | 1.0  | μA     | ③       |
| PFM Switching Current                                | I <sub>PFM</sub>  | V <sub>IN</sub> =V <sub>CE</sub> =V <sub>OUT(T)</sub> +2.0V <sup>(*)</sup> , I <sub>OUT</sub> =10mA.   | 260  | 330                | 400  | mA     | ①       |
| Maximum Duty Ratio <sup>(3)</sup>                    | MAXDTY  | V <sub>IN</sub> =V <sub>OUT</sub> =V <sub>OUT(T)</sub> ×0.95V <sup>(*)</sup> , V <sub>CE</sub> =1.2V<br>Resistor connected with L <sub>X</sub> pin.  | 100  | -                  | -    | %      | ②       |
| Efficiency <sup>(4)</sup>                            | EFFI  | V <sub>IN</sub> =V <sub>CE</sub> =5.0V, V <sub>OUT(T)</sub> =4.0V <sup>(*)</sup> , I <sub>OUT</sub> =30mA.   | -    | 93                 | -    | %      | ⑥       |
| Efficiency <sup>(4)</sup>                            | EFFI  | V <sub>IN</sub> =V <sub>CE</sub> =3.6V, V <sub>OUT(T)</sub> =3.3V <sup>(*)</sup> , I <sub>OUT</sub> =30mA.   | -    | 93                 | -    | %      | ⑥       |
| Efficiency <sup>(4)</sup>                            | EFFI  | V <sub>IN</sub> =V <sub>CE</sub> =3.6V, V <sub>OUT(T)</sub> =1.8V <sup>(*)</sup> , I <sub>OUT</sub> =30mA.   | -    | 87                 | -    | %      | ⑥       |
| L <sub>X</sub> SW "Pch" ON Resistance <sup>(5)</sup> | R <sub>LXP</sub>  | V <sub>IN</sub> =V <sub>CE</sub> =5.0V, V <sub>OUT</sub> =0V, I <sub>LX</sub> =100mA.  | -    | 0.4                | 0.65 | Ω      | ④       |
| L <sub>X</sub> SW "Nch" ON Resistance                | R <sub>LXN</sub>  | V <sub>IN</sub> =V <sub>CE</sub> =5.0V.  | -    | 0.4 <sup>(6)</sup> | -    | Ω      | -       |
| Output Voltage Temperature Characteristics           | ΔV <sub>OUT</sub> /<br>(V <sub>OUT</sub> ·ΔT <sub>opr</sub> ) | -40°C≤T <sub>opr</sub> ≤85°C.  | -    | ±100               | -    | ppm/°C | ②       |
| CE "High" Voltage                                    | V <sub>CEH</sub>  | V <sub>OUT</sub> =0V. Resistor connected with L <sub>X</sub> pin. Voltage which L <sub>X</sub> pin changes "L" to "H" level while V <sub>CE</sub> =0.2→1.5V.   | 1.2  | -                  | 6.0  | V      | ⑤       |
| CE "Low" Voltage                                     | V <sub>CEL</sub>  | V <sub>OUT</sub> =0V. Resistor connected with L <sub>X</sub> pin. Voltage which L <sub>X</sub> pin changes "H" to "L" level while V <sub>CE</sub> =1.5→0.2V.   | GND  | -                  | 0.3  | V      | ⑤       |
| CE "High" Current                                    | I <sub>CEH</sub>  | V <sub>IN</sub> =V <sub>CE</sub> =5.0V, V <sub>OUT</sub> =0V, L <sub>X</sub> =Open.  | -0.1 | -                  | 0.1  | μA     | ⑤       |
| CE "Low" Current                                     | I <sub>CEL</sub>  | V <sub>IN</sub> =5.0V, V <sub>CE</sub> =V <sub>OUT</sub> =0V, L <sub>X</sub> =Open.  | -0.1 | -                  | 0.1  | μA     | ⑤       |
| Short Protection Threshold Voltage                   | V <sub>SHORT</sub>  | Resistor connected with L <sub>X</sub> pin. Voltage which L <sub>X</sub> pin changes "H" to "L" level while V <sub>OUT</sub> =V <sub>OUT(T)</sub> +0.1V→0V <sup>(*)</sup> .  | 0.4  | 0.5                | 0.6  | V      | ②       |
| C <sub>L</sub> Discharge                             | R <sub>DCHG</sub>   | V <sub>IN</sub> =V <sub>OUT</sub> =5.0V, V <sub>CE</sub> =0V, L <sub>X</sub> =Open.  | 55   | 80                 | 105  | Ω      | ③       |
| Inductance Value                                     | L   | Test Frequency=1MHz  | -    | 8.0                | -    | μH     |         |
| Inductor Rated Current                               | I <sub>DC_L</sub>   | ΔT=+40°C   | -    | 600                | -    | mA     |         |

Unless otherwise stated, V<sub>IN</sub>=V<sub>CE</sub>=5.0V

(\*) V<sub>OUT(T)</sub>=Nominal Output Voltage

(2) V<sub>OUT(E)</sub>=Effective Output Voltage

The actual output voltage value V<sub>OUT(E)</sub> is the PFM comparator threshold voltage in the IC.

Therefore, the DC/DC circuit output voltage, including the peripheral components, is boosted by the ripple voltage average value.

Please refer to the characteristic example.

(3) Not applicable to the products with V<sub>OUT(T)</sub> < 2.15V since it is out of operational voltage range.

(4) EFFI=[{(Output Voltage)×(Output Current)} / {(Input Voltage)×(Input Current)}]×100

(5) L<sub>X</sub> SW "Pch" ON resistance = (V<sub>IN</sub> - V<sub>LX</sub> pin measurement voltage) / 100mA

(6) Designed value

## ELECTRICAL CHARACTERISTICS (Continued)

● XCL210Dxx1GR-G, with C<sub>L</sub> Discharge Function

T<sub>a</sub>=25°C

| PARAMETER  | SYMBOL  | CONDITIONS  | MIN. | TYP.               | MAX. | UNITS  | CIRCUIT |
|--|---|---|------|--------------------|------|--------|---------|
| Input Voltage  | V <sub>IN</sub>                                       | -   | 2.0  | -                  | 6.0  | V      | ①       |
| Output Voltage                                       | V <sub>OUT(E)</sub> <sup>(2)</sup>                    | Resistor connected with L <sub>X</sub> pin. Voltage which L <sub>X</sub> pin changes "L" to "H" level while V <sub>OUT</sub> is decreasing.   | E1   |                    |      | V      | ②       |
| UVLO Release Voltage                                 | V <sub>UVLO(E)</sub>                                  | V <sub>CE</sub> =V <sub>IN</sub> , V <sub>OUT</sub> =0V. Resistor connected with L <sub>X</sub> pin. Voltage which L <sub>X</sub> pin changes "L" to "H" level while V <sub>IN</sub> is increasing.   | 1.65 | 1.80               | 1.95 | V      | ②       |
| UVLO Hysteresis Voltage                              | V <sub>HYS(E)</sub>                                   | V <sub>CE</sub> =V <sub>IN</sub> , V <sub>OUT</sub> =0V. Resistor connected with L <sub>X</sub> pin. V <sub>UVLO(E)</sub> - Voltage which L <sub>X</sub> pin changes "H" to "L" level while V <sub>IN</sub> is decreasing.                  | 0.11 | 0.15               | 0.24 | V      | ②       |
| Supply Current                                       | I <sub>q</sub>  | V <sub>IN</sub> =V <sub>CE</sub> =V <sub>OUT(T)</sub> +0.5V <sup>(*)</sup> ,<br>V <sub>IN</sub> =2.0V, if V <sub>OUT(T)</sub> ≤ 1.5V <sup>(*)</sup> ,<br>V <sub>OUT</sub> =V <sub>OUT(T)</sub> +0.5V <sup>(*)</sup> , L <sub>X</sub> =Open. | E2   |                    |      | μA     | ③       |
| Standby Current                                      | I <sub>STB</sub>                                      | V <sub>IN</sub> =5.0V, V <sub>CE</sub> =V <sub>OUT</sub> =0V, L <sub>X</sub> =Open.   | -    | 0.1                | 1.0  | μA     | ③       |
| L <sub>X</sub> SW "H" Leak Current                   | I <sub>LEAKH</sub>                                    | V <sub>IN</sub> =5.0V, V <sub>CE</sub> =V <sub>OUT</sub> =0V, V <sub>LX</sub> =0V.  | -    | 0.1                | 1.0  | μA     | ③       |
| L <sub>X</sub> SW "L" Leak Current                   | I <sub>LEAKL</sub>                                    | V <sub>IN</sub> =5.0V, V <sub>CE</sub> =V <sub>OUT</sub> =0V, V <sub>LX</sub> =5.0V.  | -    | 0.1                | 1.0  | μA     | ③       |
| PFM Switching Current                                | I <sub>PFM</sub>                                      | V <sub>IN</sub> =V <sub>CE</sub> =V <sub>OUT(T)</sub> +2.0V <sup>(*)</sup> , I <sub>OUT</sub> =10mA.  | 115  | 180                | 250  | mA     | ①       |
| Maximum Duty Ratio <sup>(3)</sup>                    | MAXDTY  | V <sub>IN</sub> =V <sub>OUT</sub> =V <sub>OUT(T)</sub> ×0.95V <sup>(*)</sup> , V <sub>CE</sub> =1.2V<br>Resistor connected with L <sub>X</sub> pin.   | 100  | -                  | -    | %      | ②       |
| Efficiency <sup>(4)</sup>                            | EFFI  | V <sub>IN</sub> =V <sub>CE</sub> =5.0V, V <sub>OUT(T)</sub> =4.0V <sup>(*)</sup> , I <sub>OUT</sub> =30mA.  | -    | 95                 | -    | %      | ⑥       |
| Efficiency <sup>(4)</sup>                            | EFFI  | V <sub>IN</sub> =V <sub>CE</sub> =3.6V, V <sub>OUT(T)</sub> =3.3V <sup>(*)</sup> , I <sub>OUT</sub> =30mA.  | -    | 95                 | -    | %      | ⑥       |
| Efficiency <sup>(4)</sup>                            | EFFI  | V <sub>IN</sub> =V <sub>CE</sub> =3.6V, V <sub>OUT(T)</sub> =1.8V <sup>(*)</sup> , I <sub>OUT</sub> =30mA.  | -    | 89                 | -    | %      | ⑥       |
| L <sub>X</sub> SW "Pch" ON Resistance <sup>(5)</sup> | R <sub>LXP</sub>                                      | V <sub>IN</sub> =V <sub>CE</sub> =5.0V, V <sub>OUT</sub> =0V, I <sub>LX</sub> =100mA.   | -    | 0.4                | 0.65 | Ω      | ④       |
| L <sub>X</sub> SW "Nch" ON Resistance                | R <sub>LXN</sub>                                      | V <sub>IN</sub> =V <sub>CE</sub> =5.0V.   | -    | 0.4 <sup>(6)</sup> | -    | Ω      | -       |
| Output Voltage Temperature Characteristics           | $\frac{\Delta V_{OUT}}{V_{OUT} \cdot \Delta T_{opr}}$ | -40°C ≤ T <sub>opr</sub> ≤ 85°C.  | -    | ±100               | -    | ppm/°C | ②       |
| CE "High" Voltage                                    | V <sub>CEH</sub>                                      | V <sub>OUT</sub> =0V. Resistor connected with L <sub>X</sub> pin. Voltage which L <sub>X</sub> pin changes "L" to "H" level while V <sub>CE</sub> =0.2→1.5V.  | 1.2  | -                  | 6.0  | V      | ⑤       |
| CE "Low" Voltage                                     | V <sub>CEL</sub>                                      | V <sub>OUT</sub> =0V. Resistor connected with L <sub>X</sub> pin. Voltage which L <sub>X</sub> pin changes "H" to "L" level while V <sub>CE</sub> =1.5→0.2V.  | GND  | -                  | 0.3  | V      | ⑤       |
| CE "High" Current                                    | I <sub>CEH</sub>                                      | V <sub>IN</sub> =V <sub>CE</sub> =5.0V, V <sub>OUT</sub> =0V, L <sub>X</sub> =Open.   | -0.1 | -                  | 0.1  | μA     | ⑤       |
| CE "Low" Current                                     | I <sub>CEL</sub>                                      | V <sub>IN</sub> =5.0V, V <sub>CE</sub> =V <sub>OUT</sub> =0V, L <sub>X</sub> =Open.   | -0.1 | -                  | 0.1  | μA     | ⑤       |
| Short Protection Threshold Voltage                   | V <sub>SHORT</sub>                                    | Resistor connected with L <sub>X</sub> pin. Voltage which L <sub>X</sub> pin changes "H" to "L" level while V <sub>OUT</sub> =V <sub>OUT(T)</sub> +0.1V→0V <sup>(*)</sup> .   | 0.4  | 0.5                | 0.6  | V      | ②       |
| C <sub>L</sub> Discharge                             | R <sub>DCHG</sub>                                     | V <sub>IN</sub> =V <sub>OUT</sub> =5.0V, V <sub>CE</sub> =0V, L <sub>X</sub> =Open.   | 55   | 80                 | 105  | Ω      | ③       |
| Inductance Value                                     | L   | Test Frequency=1MHz   | -    | 8.0                | -    | μH     |         |
| Inductor Rated Current                               | I <sub>DC</sub>                                       | ΔT=+40°C  | -    | 600                | -    | mA     |         |

Unless otherwise stated, V<sub>IN</sub>=V<sub>CE</sub>=5.0V

(\*) V<sub>OUT(T)</sub>=Nominal Output Voltage

(2) V<sub>OUT(E)</sub>=Effective Output Voltage

The actual output voltage value V<sub>OUT(E)</sub> is the PFM comparator threshold voltage in the IC.

Therefore, the DC/DC circuit output voltage, including the peripheral components, is boosted by the ripple voltage average value.

Please refer to the characteristic example.

(3) Not applicable to the products with V<sub>OUT(T)</sub> < 2.15V since it is out of operational voltage range.

(4) EFFI={[(Output Voltage)×(Output Current)] / [(Input Voltage)×(Input Current)]}×100

(5) L<sub>X</sub> SW "Pch" ON resistance = (V<sub>IN</sub> - V<sub>LX</sub> pin measurement voltage) / 100mA

(6) Designed value



## ■ ELECTRICAL CHARACTERISTICS (Continued)

● XCL210Fxx1GR-G, without C<sub>L</sub> discharge function

T<sub>a</sub>=25°C

| PARAMETER  | SYMBOL  | CONDITIONS  | MIN. | TYP.               | MAX. | UNITS  | CIRCUIT |
|--|---|---|------|--------------------|------|--------|---------|
| Input Voltage  | V <sub>IN</sub>                                       | -   | 2.0  | -                  | 6.0  | V      | ①       |
| Output Voltage                                       | V <sub>OUT(E)</sub> <sup>(2)</sup>                    | Resistor connected with L <sub>X</sub> pin.<br>Voltage which L <sub>X</sub> pin changes "L" to "H" level while V <sub>OUT</sub> is decreasing.  | E1   |                    |      | V      | ②       |
| UVLO Release Voltage                                 | V <sub>UVLO(E)</sub>                                  | V <sub>CE</sub> =V <sub>IN</sub> , V <sub>OUT</sub> =0V. Resistor connected with L <sub>X</sub> pin.<br>Voltage which L <sub>X</sub> pin changes "L" to "H" level while V <sub>IN</sub> is increasing.                        | 1.65 | 1.8                | 1.95 | V      | ②       |
| UVLO Hysteresis Voltage                              | V <sub>HYS(E)</sub>                                   | V <sub>CE</sub> =V <sub>IN</sub> , V <sub>OUT</sub> =0V. Resistor connected with L <sub>X</sub> pin.<br>V <sub>UVLO(E)</sub> - Voltage which L <sub>X</sub> pin changes "H" to "L" level while V <sub>IN</sub> is decreasing. | 0.1  | 0.15               | 0.23 | V      | ②       |
| Supply Current                                       | I <sub>q</sub>  | V <sub>IN</sub> =V <sub>CE</sub> =2.0V, V <sub>OUT</sub> =V <sub>OUT(T)</sub> +0.5V <sup>(1)</sup> , L <sub>X</sub> =Open.  | -    | 0.5                | 0.8  | μA     | ③       |
| Standby Current                                      | I <sub>STB</sub>                                      | V <sub>IN</sub> =5.0V, V <sub>CE</sub> =V <sub>OUT</sub> =0V, L <sub>X</sub> =Open.   | -    | 0.1                | 1.0  | μA     | ③       |
| L <sub>X</sub> SW "H" Leak Current                   | I <sub>LEAKH</sub>                                    | V <sub>IN</sub> =5.0V, V <sub>CE</sub> =V <sub>OUT</sub> =0V, V <sub>LX</sub> =0V.  | -    | 0.1                | 1.0  | μA     | ③       |
| L <sub>X</sub> SW "L" Leak Current                   | I <sub>LEAKL</sub>                                    | V <sub>IN</sub> =5.0V, V <sub>CE</sub> =V <sub>OUT</sub> =0V, V <sub>LX</sub> =5.0V.  | -    | 0.1                | 1.0  | μA     | ③       |
| PFM Switching Current                                | I <sub>PFM</sub>                                      | V <sub>IN</sub> =V <sub>CE</sub> =V <sub>OUT(T)</sub> +2.0V <sup>(1)</sup> , I <sub>OUT</sub> =10mA.  | 115  | 180                | 250  | mA     | ①       |
| Efficiency <sup>(3)</sup>                            | EFFI  | V <sub>IN</sub> =V <sub>CE</sub> =3.6V,<br>V <sub>OUT(T)</sub> =0.7V <sup>(1)</sup> , I <sub>OUT</sub> =30mA.   | -    | 85                 | -    | %      | ①       |
| L <sub>X</sub> SW "Pch" ON Resistance <sup>(4)</sup> | R <sub>LXP</sub>                                      | V <sub>IN</sub> =V <sub>CE</sub> =5.0V, V <sub>OUT</sub> =0V, I <sub>LX</sub> =50mA.  | -    | 0.4                | 0.65 | Ω      | ④       |
| L <sub>X</sub> SW "Nch" ON Resistance                | R <sub>LXN</sub>                                      | V <sub>IN</sub> =V <sub>CE</sub> =5.0V.   | -    | 0.4 <sup>(5)</sup> | -    | Ω      | -       |
| Output Voltage Temperature Characteristics           | $\frac{\Delta V_{OUT}}{V_{OUT} \cdot \Delta T_{opr}}$ | -40°C ≤ T <sub>opr</sub> ≤ 85°C.  | -    | ±100               | -    | ppm/°C | ②       |
| CE "High" Voltage                                    | V <sub>CEH</sub>                                      | V <sub>OUT</sub> =0V. Resistor connected with L <sub>X</sub> pin.<br>Voltage which L <sub>X</sub> pin changes "L" to "H" level while V <sub>CE</sub> =0.2→1.5V.   | 1.2  | -                  | 6.0  | V      | ⑤       |
| CE "Low" Voltage                                     | V <sub>CEL</sub>                                      | V <sub>OUT</sub> =0V. Resistor connected with L <sub>X</sub> pin.<br>Voltage which L <sub>X</sub> pin changes "H" to "L" level while V <sub>CE</sub> =1.5→0.2V.   | GND  | -                  | 0.3  | V      | ⑤       |
| CE "High" Current                                    | I <sub>CEH</sub>                                      | V <sub>IN</sub> =V <sub>CE</sub> =5.0V, V <sub>OUT</sub> =0V, L <sub>X</sub> =Open.   | -0.1 | -                  | 0.1  | μA     | ⑤       |
| CE "Low" Current                                     | I <sub>CEL</sub>                                      | V <sub>IN</sub> =5.0V, V <sub>CE</sub> =V <sub>OUT</sub> =0V, L <sub>X</sub> =Open.   | -0.1 | -                  | 0.1  | μA     | ⑤       |
| Short Protection Threshold Voltage                   | V <sub>SHORT</sub>                                    | Resistor connected with L <sub>X</sub> pin.<br>Voltage which L <sub>X</sub> pin changes "H" to "L" level while V <sub>OUT</sub> =V <sub>OUT(T)</sub> +0.1V→0V <sup>(1)</sup> .  | 0.14 | 0.3                | 0.48 | V      | ②       |
| Inductance Value                                     | L   | Test Frequency=1MHz   | -    | 8.0                | -    | μH     |         |
| Inductor Rated Current                               | I <sub>DC</sub>                                       | ΔT=+40°C  | -    | 600                | -    | mA     |         |

Unless otherwise stated, V<sub>IN</sub>=V<sub>CE</sub>=5.0V

<sup>(1)</sup> V<sub>OUT(T)</sub>=Nominal Output Voltage

<sup>(2)</sup> V<sub>OUT(E)</sub>=Effective Output Voltage

The actual output voltage value V<sub>OUT(E)</sub> is the PFM comparator threshold voltage in the IC.

Therefore, the DC/DC circuit output voltage, including the peripheral components, is boosted by the ripple voltage average value.

Please refer to the characteristic example.

<sup>(3)</sup> EFFI=[{(Output Voltage)×(Output Current)} / {(Input Voltage)×(Input Current)}]×100

<sup>(4)</sup> L<sub>X</sub> SW "Pch" ON resistance = (V<sub>IN</sub> - V<sub>LX</sub> pin measurement voltage) / 100mA

<sup>(5)</sup> Designed value

## ELECTRICAL CHARACTERISTICS (Continued)

● XCL210Hxx1GR-G, with C<sub>L</sub> Discharge Function

T<sub>a</sub>=25°C

| PARAMETER  | SYMBOL  | CONDITIONS  | MIN. | TYP.               | MAX. | UNITS  | CIRCUIT |
|--|---|---|------|--------------------|------|--------|---------|
| Input Voltage  | V <sub>IN</sub>                                       | -   | 2.0  | -                  | 6.0  | V      | ①       |
| Output Voltage                                       | V <sub>OUT(E)</sub> <sup>(2)</sup>                    | Resistor connected with L <sub>X</sub> pin.<br>Voltage which L <sub>X</sub> pin changes "L" to "H" level while V <sub>OUT</sub> is decreasing.  | E1   |                    |      | V      | ②       |
| UVLO Release Voltage                                 | V <sub>UVLO(E)</sub>                                  | V <sub>CE</sub> =V <sub>IN</sub> , V <sub>OUT</sub> =0V. Resistor connected with L <sub>X</sub> pin.<br>Voltage which L <sub>X</sub> pin changes "L" to "H" level while V <sub>IN</sub> is increasing.                        | 1.65 | 1.8                | 1.95 | V      | ②       |
| UVLO Hysteresis Voltage                              | V <sub>HYS(E)</sub>                                   | V <sub>CE</sub> =V <sub>IN</sub> , V <sub>OUT</sub> =0V. Resistor connected with L <sub>X</sub> pin.<br>V <sub>UVLO(E)</sub> - Voltage which L <sub>X</sub> pin changes "H" to "L" level while V <sub>IN</sub> is decreasing. | 0.1  | 0.15               | 0.23 | V      | ②       |
| Supply Current                                       | I <sub>q</sub>  | V <sub>IN</sub> =V <sub>CE</sub> =2.0V, V <sub>OUT</sub> =V <sub>OUT(T)</sub> +0.5V <sup>(1)</sup> , L <sub>X</sub> =Open.  | -    | 0.5                | 0.8  | μA     | ③       |
| Standby Current                                      | I <sub>STB</sub>                                      | V <sub>IN</sub> =5.0V, V <sub>CE</sub> =V <sub>OUT</sub> =0V, L <sub>X</sub> =Open.   | -    | 0.1                | 1.0  | μA     | ③       |
| L <sub>X</sub> SW "H" Leak Current                   | I <sub>LEAKH</sub>                                    | V <sub>IN</sub> =5.0V, V <sub>CE</sub> =V <sub>OUT</sub> =0V, V <sub>LX</sub> =0V.  | -    | 0.1                | 1.0  | μA     | ③       |
| L <sub>X</sub> SW "L" Leak Current                   | I <sub>LEAKL</sub>                                    | V <sub>IN</sub> =5.0V, V <sub>CE</sub> =V <sub>OUT</sub> =0V, V <sub>LX</sub> =5.0V.  | -    | 0.1                | 1.0  | μA     | ③       |
| PFM Switching Current                                | I <sub>PFM</sub>                                      | V <sub>IN</sub> =V <sub>CE</sub> =V <sub>OUT(T)</sub> +2.0V <sup>(1)</sup> , I <sub>OUT</sub> =10mA.  | 115  | 180                | 250  | mA     | ①       |
| Efficiency <sup>(3)</sup>                            | EFFI  | V <sub>IN</sub> =V <sub>CE</sub> =3.6V,<br>V <sub>OUT(T)</sub> =0.7V <sup>(1)</sup> , I <sub>OUT</sub> =30mA.   | -    | 85                 | -    | %      | ①       |
| L <sub>X</sub> SW "Pch" ON Resistance <sup>(4)</sup> | R <sub>LXP</sub>                                      | V <sub>IN</sub> =V <sub>CE</sub> =5.0V, V <sub>OUT</sub> =0V, I <sub>LX</sub> =50mA.  | -    | 0.4                | 0.65 | Ω      | ④       |
| L <sub>X</sub> SW "Nch" ON Resistance                | R <sub>LXN</sub>                                      | V <sub>IN</sub> =V <sub>CE</sub> =5.0V.   | -    | 0.4 <sup>(5)</sup> | -    | Ω      | -       |
| Output Voltage Temperature Characteristics           | $\frac{\Delta V_{OUT}}{V_{OUT} \cdot \Delta T_{opr}}$ | -40°C ≤ T <sub>opr</sub> ≤ 85°C.  | -    | ±100               | -    | ppm/°C | ②       |
| CE "High" Voltage                                    | V <sub>CEH</sub>                                      | V <sub>OUT</sub> =0V. Resistor connected with L <sub>X</sub> pin.<br>Voltage which L <sub>X</sub> pin changes "L" to "H" level while V <sub>CE</sub> =0.2→1.5V.   | 1.2  | -                  | 6.0  | V      | ⑤       |
| CE "Low" Voltage                                     | V <sub>CEL</sub>                                      | V <sub>OUT</sub> =0V. Resistor connected with L <sub>X</sub> pin.<br>Voltage which L <sub>X</sub> pin changes "H" to "L" level while V <sub>CE</sub> =1.5→0.2V.   | GND  | -                  | 0.3  | V      | ⑤       |
| CE "High" Current                                    | I <sub>CEH</sub>                                      | V <sub>IN</sub> =V <sub>CE</sub> =5.0V, V <sub>OUT</sub> =0V, L <sub>X</sub> =Open.   | -0.1 | -                  | 0.1  | μA     | ⑤       |
| CE "Low" Current                                     | I <sub>CEL</sub>                                      | V <sub>IN</sub> =5.0V, V <sub>CE</sub> =V <sub>OUT</sub> =0V, L <sub>X</sub> =Open.   | -0.1 | -                  | 0.1  | μA     | ⑤       |
| Short Protection Threshold Voltage                   | V <sub>SHORT</sub>                                    | Resistor connected with L <sub>X</sub> pin.<br>Voltage which L <sub>X</sub> pin changes "H" to "L" level while V <sub>OUT</sub> =V <sub>OUT(T)</sub> +0.1V→0V <sup>(1)</sup> .  | 0.14 | 0.3                | 0.48 | V      | ②       |
| C <sub>L</sub> Discharge                             | R <sub>DCHG</sub>                                     | V <sub>IN</sub> =V <sub>OUT</sub> =5.0V, V <sub>CE</sub> =0V, L <sub>X</sub> =Open.   | 55   | 80                 | 105  | Ω      | ③       |
| Inductance Value                                     | L   | Test Frequency=1MHz   | -    | 8.0                | -    | μH     |         |
| Inductor Rated Current                               | I <sub>DC</sub>                                       | ΔT=+40°C  | -    | 600                | -    | mA     |         |

Unless otherwise stated, V<sub>IN</sub>=V<sub>CE</sub>=5.0V

<sup>(1)</sup> V<sub>OUT(T)</sub>=Nominal Output Voltage

<sup>(2)</sup> V<sub>OUT(E)</sub>=Effective Output Voltage

The actual output voltage value V<sub>OUT(E)</sub> is the PFM comparator threshold voltage in the IC.

Therefore, the DC/DC circuit output voltage, including the peripheral components, is boosted by the ripple voltage average value.

Please refer to the characteristic example.

<sup>(3)</sup> EFFI=[{(Output Voltage)×(Output Current)} / {(Input Voltage)×(Input Current)}]×100

<sup>(4)</sup> L<sub>X</sub> SW "Pch" ON resistance = (V<sub>IN</sub> - V<sub>LX</sub> pin measurement voltage) / 100mA

<sup>(5)</sup> Designed value

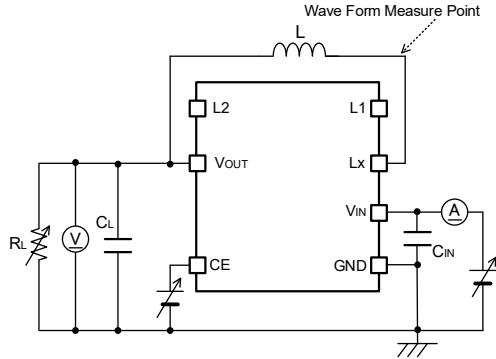
**■ ELECTRICAL CHARACTERISTICS (Continued)**

XCL210 Series voltage chart

| SYMBOL         | E1             |       | E2             |       | SYMBOL         | E1             |       | E2             |       |  |
|----------------|----------------|-------|----------------|-------|----------------|----------------|-------|----------------|-------|--|
| PARAMETER      | OUTPUT VOLTAGE |       | SUPPLY CURRENT |       | PARAMETER      | OUTPUT VOLTAGE |       | SUPPLY CURRENT |       |  |
| UNITS: V       | UNITS: V       |       | UNITS: $\mu$ A |       | UNITS: V       | UNITS: V       |       | UNITS: $\mu$ A |       |  |
| OUTPUT VOLTAGE | MIN.           | MAX.  | TYP.           | MAX.  | OUTPUT VOLTAGE | MIN.           | MAX.  | TYP.           | MAX.  |  |
| 0.60           | 0.588          | 0.612 | 0.500          | 0.800 | 2.50           | 2.450          | 2.550 | 0.700          | 1.500 |  |
| 0.65           | 0.637          | 0.663 |                |       | 2.55           | 2.499          | 2.601 |                |       |  |
| 0.70           | 0.686          | 0.714 |                |       | 2.60           | 2.548          | 2.652 |                |       |  |
| 0.75           | 0.735          | 0.765 |                |       | 2.65           | 2.597          | 2.703 |                |       |  |
| 0.80           | 0.784          | 0.816 |                |       | 2.70           | 2.646          | 2.754 |                |       |  |
| 0.85           | 0.833          | 0.867 |                |       | 2.75           | 2.695          | 2.805 |                |       |  |
| 0.90           | 0.882          | 0.918 |                |       | 2.80           | 2.744          | 2.856 |                |       |  |
| 0.95           | 0.931          | 0.969 |                |       | 2.85           | 2.793          | 2.907 |                |       |  |
| 1.00           | 0.980          | 1.020 |                |       | 2.90           | 2.842          | 2.958 |                |       |  |
| 1.05           | 1.029          | 1.071 |                |       | 2.95           | 2.891          | 3.009 |                |       |  |
| 1.10           | 1.078          | 1.122 | 0.500          | 0.800 | 3.00           | 2.940          | 3.060 | 0.800          | 2.100 |  |
| 1.15           | 1.127          | 1.173 |                |       | 3.05           | 2.989          | 3.111 |                |       |  |
| 1.20           | 1.176          | 1.224 |                |       | 3.10           | 3.038          | 3.162 |                |       |  |
| 1.25           | 1.225          | 1.275 |                |       | 3.15           | 3.087          | 3.213 |                |       |  |
| 1.30           | 1.274          | 1.326 |                |       | 3.20           | 3.136          | 3.264 |                |       |  |
| 1.35           | 1.323          | 1.377 |                |       | 3.25           | 3.185          | 3.315 |                |       |  |
| 1.40           | 1.372          | 1.428 |                |       | 3.30           | 3.234          | 3.366 |                |       |  |
| 1.45           | 1.421          | 1.479 |                |       | 3.35           | 3.283          | 3.417 |                |       |  |
| 1.50           | 1.470          | 1.530 |                |       | 3.40           | 3.332          | 3.468 |                |       |  |
| 1.55           | 1.519          | 1.581 |                |       | 3.45           | 3.381          | 3.519 |                |       |  |
| 1.60           | 1.568          | 1.632 | 0.500          | 0.900 | 3.50           | 3.430          | 3.570 | 1.500          | 3.000 |  |
| 1.65           | 1.617          | 1.683 |                |       | 3.55           | 3.479          | 3.621 |                |       |  |
| 1.70           | 1.666          | 1.734 |                |       | 3.60           | 3.528          | 3.672 |                |       |  |
| 1.75           | 1.715          | 1.785 |                |       | 3.65           | 3.577          | 3.723 |                |       |  |
| 1.80           | 1.764          | 1.836 |                |       | 3.70           | 3.626          | 3.774 |                |       |  |
| 1.85           | 1.813          | 1.887 |                |       | 3.75           | 3.675          | 3.825 |                |       |  |
| 1.90           | 1.862          | 1.938 |                |       | 3.80           | 3.724          | 3.876 |                |       |  |
| 1.95           | 1.911          | 1.989 |                |       | 3.85           | 3.773          | 3.927 |                |       |  |
| 2.00           | 1.960          | 2.040 |                |       | 3.90           | 3.822          | 3.978 |                |       |  |
| 2.05           | 2.009          | 2.091 |                |       | 3.95           | 3.871          | 4.029 |                |       |  |
| 2.10           | 2.058          | 2.142 | 4.00           | 3.920 | 4.080          |                |       |                |       |  |
| 2.15           | 2.107          | 2.193 | 0.600          | 1.100 |                |                |       |                |       |  |
| 2.20           | 2.156          | 2.244 |                |       |                |                |       |                |       |  |
| 2.25           | 2.205          | 2.295 |                |       |                |                |       |                |       |  |
| 2.30           | 2.254          | 2.346 |                |       |                |                |       |                |       |  |
| 2.35           | 2.303          | 2.397 |                |       |                |                |       |                |       |  |
| 2.40           | 2.352          | 2.448 |                |       |                |                |       |                |       |  |
| 2.45           | 2.401          | 2.499 |                |       |                |                |       |                |       |  |

## TEST CIRCUITS

< Circuit No.① >



※External Components  
 L: 10  $\mu$  H (Selected goods)  
 CIN: 10  $\mu$  F (Ceramic)  
 CL: 22  $\mu$  F (Ceramic)

< Circuit No.② >



※External Components  
 CIN: 10  $\mu$  F (Ceramic)  
 RPULLDOWN: 100  $\Omega$

< Circuit No.③ >



※External Components  
 CIN: 10  $\mu$  F (Ceramic)

< Circuit No.④ >



※External Components  
 CIN: 10  $\mu$  F (Ceramic)

< Circuit No.⑤ >



※External Components  
 CIN: 10  $\mu$  F (Ceramic)  
 RPULLDOWN: 100  $\Omega$

< Circuit No.⑥ >



※External Components  
 CIN: 10  $\mu$  F (Ceramic)  
 CL: 22  $\mu$  F (Ceramic)

## ■ TYPICAL APPLICATION CIRCUIT



**NOTE:**

The integrated Inductor can be used only for this DC/DC converter. Please do not use this inductor for other reasons.

|          | Manufacturer | Part Number      | VALUE          |
|----------|--------------|------------------|----------------|
| $C_{IN}$ | Taiyo Yuden  | LMK107BBJ106MALT | 10 $\mu$ F/10V |
|          |              | LMK212ABJ106MG   | 10 $\mu$ F/10V |
|          | TDK          | C1608X5R1A106M   | 10 $\mu$ F/10V |
|          |              | C2012X5R1A106M   | 10 $\mu$ F/10V |
| CL       | Taiyo Yuden  | LMK107BBJ226MA   | 22 $\mu$ F/10V |
|          |              | LMK212BBJ226MG   | 22 $\mu$ F/10V |
|          | TDK          | C1608X5R1A226M   | 22 $\mu$ F/10V |
|          |              | C2012X5R1A226M   | 22 $\mu$ F/10V |

\* Take capacitance loss, withstand voltage, and other conditions into consideration when selecting components.

## OPERATIONAL EXPLANATION

The XCL210 series consists of a reference voltage supply, PFM comparator, Pch driver Tr, Nch synchronous rectification switch Tr, current sensing circuit, PFM control circuit, CE control circuit, and others. (Refer to the block diagram below.)



<BLOCK DIAGRAM TYPE A/B/F >



<BLOCK DIAGRAM TYPE C/D/H >

An ultra-low quiescent current circuit and synchronous rectification enable a significant reduction of dissipation in the IC, and the IC operates with high efficiency at both light loads and heavy loads. Current limit PFM is used for the control method, and even when switching current superposition occurs, increases of output voltage ripple are suppressed, allowing use over a wide voltage and current range. The IC is compatible with low-capacitance ceramic capacitors, and a small, high-performance step-down DC-DC converter can be created.

The actual output voltage  $V_{OUT(E)}$  in the electrical characteristics is the threshold voltage of the PFM comparator in the block diagram. Therefore the average output voltage of the step-down circuit, including peripheral components, depends on the ripple voltage. Before use, test fully using the actual device.



### <Reference voltage supply ( $V_{REF}$ )>

Reference voltage for stabilization of the output voltage of the IC.

### <PFM control>

(1) The feedback voltage (FB voltage) is the voltage that results from dividing the output voltage with the IC internal dividing resistors  $R_{FB1}$  and  $R_{FB2}$ . The PFM comparator compares this FB voltage to  $V_{REF}$ . When the FB voltage is lower than  $V_{REF}$ , the PFM comparator sends a signal to the buffer driver through the PFM control circuit to turn on the Pch driver Tr. When the FB voltage is higher than  $V_{REF}$ , the PFM comparator sends a signal to prevent the Pch driver Tr from turning on.

(2) When the Pch driver Tr is on, the current sense circuit monitors the current that flows through the Pch driver Tr connected to the Lx pin. When the current reaches the set PFM switching current ( $I_{PFM}$ ), the current sense circuit sends a signal to the buffer driver through the PFM control circuit. This signal turns off the Pch driver Tr and turns on the Nch synchronous rectification switch Tr.

(3) The on time (off time) of the Nch synchronous rectification switch Tr is dynamically optimized inside the IC. After the off time elapses and the PFM comparator detects that the  $V_{OUT}$  voltage is higher than the set voltage, the PFM comparator sends a signal to the PFM control circuit that prevents the Pch driver Tr from turning on. However, if the  $V_{OUT}$  voltage is lower than the set voltage, the PFM comparator starts Pch driver Tr on.

By continuously adjusting the interval of the linked operation of (1), (2) and (3) above in response to the load current, the output voltage is stabilized with high efficiency from light loads to heavy loads.

## ■ OPERATIONAL EXPLANATION (Continued)

### <PFM Switching Current >

The PFM switching current monitors the current that flows through the Pch driver Tr, and is a value that limits the Pch driver Tr current. The Pch driver Tr remains on until the coil current reaches the PFM switching current ( $I_{PFM}$ ). An approximate value for this on-time  $t_{ON}$  can be calculated using the following equation:

$$t_{ON} = L \times I_{PFM} / (V_{IN} - V_{OUT})$$

### <Maximum on-time function>

To avoid excessive ripple voltage in the event that the coil current does not reach the PFM switching current within a certain interval even though the Pch driver Tr has turned on and the FB voltage is above  $V_{REF}$ , the Pch driver Tr can be turned off at any timing using the maximum on-time function of the PFM control circuit. If the Pch driver Tr turns off by the maximum on-time function instead of the current sense circuit, the Nch synchronous rectification switch Tr will not turn on and the coil current will flow to the  $V_{OUT}$  pin by means of the parasitic diode of the Nch synchronous rectification switch Tr.

### <Through mode>

When the  $V_{IN}$  voltage is lower than the output voltage, through mode automatically activates and the Pch driver Tr stays on continuously.

(1) In through mode, when the load current is increased and the current that flows through the Pch driver Tr reaches a load current that is several tens of mA lower than the set PFM switching current ( $I_{PFM}$ ), the current sense circuit sends a signal through the PFM control circuit to the buffer driver. This signal turns off the Pch driver Tr and turns on the Nch synchronous rectification switch Tr.

(2) After the on-time (off-time) of the Nch synchronous rectification switch Tr, the Pch driver Tr turns on until the current reaches the set PFM switching current ( $I_{PFM}$ ) again.

If the load current is large as described above, operations (1) and (2) above are repeated. If the load current is several tens of mA lower than the PFM switching current ( $I_{PFM}$ ), the Pch driver Tr stays on continuously.

### < $V_{IN}$ start mode>

When the  $V_{IN}$  voltage rises,  $V_{IN}$  start mode stops the short-circuit protection function during the interval until the FB voltage approaches  $V_{REF}$ . After the  $V_{IN}$  voltage rises and the FB voltage approaches  $V_{REF}$  by step-down operation,  $V_{IN}$  start mode is released. In order to prevent an excessive rush current while  $V_{IN}$  start mode is activated, the coil current flows to the  $V_{OUT}$  pin by means of the parasitic diode of the Nch synchronous rectification Tr. In  $V_{IN}$  start mode as well, the coil current is limited by the PFM switching current.

### <Short-circuit protection function>

The short-circuit protection function monitors the  $V_{OUT}$  voltage. In the event that the  $V_{OUT}$  pin is accidentally shorted to GND or an excessive load current causes the  $V_{OUT}$  voltage to drop below the set short-circuit protection voltage, the short-circuit protection function activates, and turns off and latches the Pch driver Tr at any selected timing. Once in the latched state, the IC is turned off and then restarted from the CE pin, or operation is started by re-applying the  $V_{IN}$  voltage.

### <UVLO function>

When the  $V_{IN}$  pin voltage drops below the UVLO detection voltage, the IC stops switching operation at any selected timing, turns off the Pch driver Tr and Nch synchronous rectification switch Tr (UVLO mode). When the  $V_{IN}$  pin voltage recovers and rises above the UVLO release voltage, the IC restarts operation.

### < $C_L$ discharge function>

On the XCL210 series, a  $C_L$  discharge function is available as an option (Type C/D/H). This function enables quick discharging of the  $C_L$  load capacitance when “L” voltage is input into the CE pin by the Nch Tr connected between the  $V_{OUT}$ -GND pins, or in UVLO mode. This prevents malfunctioning of the application in the event that a charge remains on  $C_L$  when the IC is stopped. The discharge time is determined by  $C_L$  and the  $C_L$  discharge resistance  $R_{DCHG}$ , including the Nch Tr (refer to the diagram below). Using this time constant  $\tau = C_L \times R_{DCHG}$ , the discharge time of the output voltage is calculated by means of the equation below.

$$V = V_{OUT} \times e^{-t/\tau}, \text{ or in terms of } t, t = \tau \ln(V_{OUT} / V)$$

V: Output voltage after discharge

$V_{OUT}$ : Set output voltage

t: Discharge time

$C_L$ : Value of load capacitance ( $C_L$ )

$R_{DCHG}$ : Value of  $C_L$  discharge resistance Varies by power supply voltage.

$\tau$ :  $C_L \times R_{DCHG}$



The  $C_L$  discharge function is not available on the Type A/B/F.

## NOTE ON USE

1. Be careful not to exceed the absolute maximum ratings for externally connected components and this IC.
2. The DC/DC converter characteristics greatly depend not only on the characteristics of this IC but also on those of externally connected components, so refer to the specifications of each component and be careful when selecting the components. Be especially careful of the characteristics of the capacitor used for the load capacity  $C_L$  and use a capacitor with B characteristics (JIS Standard) or an X7R/X5R (EIA Standard) ceramic capacitor.
3. Use a ground wire of sufficient strength. Ground potential fluctuation caused by the ground current during switching could cause the IC operation to become unstable, so reinforce the area around the GND pin of the IC in particular.
4. Mount the externally connected components in the vicinity of the IC. Also use short, thick wires to reduce the wire impedance.
5. When the voltage difference between  $V_{IN}$  and  $V_{OUT}$  is small, switching energy increases and there is a possibility that the ripple voltage will be too large. Before use, test fully using the actual device.
6. The CE pin does not have an internal pull-up or pull-down, etc. Apply the prescribed voltage to the CE pin.
7. If other than the recommended inductance and capacitance values are used, excessive ripple voltage or a drop in efficiency may result.
8. If other than the recommended inductance and capacitance values are used, a drop in output voltage when the load is excessive may cause the short-circuit protection function to activate. Before use, test fully using the actual device.
9. At high temperature, excessive ripple voltage may occur and cause a drop in output voltage and efficiency. Before using at high temperature, test fully using the actual device
10. At light loads or when IC operation is stopped, leakage current from the Pch driver  $T_r$  may cause the output voltage to rise.
11. The average output voltage may vary due to the effects of output voltage ripple caused by the load current. Before use, test fully using the actual device.
12. If the  $C_L$  capacitance or load current is large, the output voltage rise time will lengthen when the IC is started, and coil current overlay may occur during the interval until the output voltage reaches the set voltage (refer to the diagram below).

XCL210A Series,  $V_{IN}=V_{CE}=0 \rightarrow 6.0V$ ,  $V_{OUT}=1.0V$ ,  $I_{OUT}=200mA$ ,  $C_L=22\mu F$ ,  $T_a=25^\circ C$



13. When the IC is started, the short-circuit protection function does not operate during the interval until the  $V_{OUT}$  voltage reaches a value near the set voltage.
14. If the IC is started at a  $V_{IN}$  voltage that activates through mode, it is possible that the short-circuit protection function will not operate. Before use, test fully using the actual device.
15. If the load current is excessively large when the IC is started, it is possible that the  $V_{OUT}$  voltage will not rise to the set voltage. Before use, test fully using the actual device.



## ■ NOTE ON USE (Continued)

16. In actual operation, the maximum on-time depends on the peripheral components, input voltage, and load current. Before use, test fully using the actual device.
17. When the  $V_{IN}$  voltage is turned on and off continuously, excessive rush current may occur while the voltage is on. Before use, test fully using the actual device.
18. When the  $V_{IN}$  voltage is high, the Pch driver may change from on to off before the coil current reaches the PFM switching current ( $I_{PFM}$ ), or before the maximum on-time elapses. Before use, test fully using the actual device.
19. When the IC change to the Through Mode at light load, the supply current of this IC can increase in some cases.
20. For temporary, transitional voltage drop or voltage rising phenomenon, the IC is liable to malfunction should the ratings be exceeded.
21. Torex places an importance on improving our products and their reliability.  
We request that users incorporate fail-safe designs and post-aging protection treatment when using Torex products in their systems.
22. The UVLO function can be activated when the UVLO hysteresis width gets to about 0mV and after several tens ms elapses at light loads.  
Before use, test fully using the actual device.
23. Please use within the power dissipation range below. Please also note that the power dissipation may changed by test conditions, the power dissipation figure shown is PCB mounted.
24. The proper position of mounting is based on the coil terminal



the power loss of micro DC/DC according to the following formula:

$$\text{power loss} = V_{OUT} \times I_{OUT} \times ((100/EFFI) - 1) \quad (W)$$

$V_{OUT}$  : Output Voltage (V)

$I_{OUT}$  : Output Current (A)

EFFI : Conversion Efficiency (%)

## NOTE ON USE (Continued)

### ● Instructions of pattern layouts

1. To suppress fluctuations in the  $V_{IN}$  potential, connect a bypass capacitor ( $C_{IN}$ ) in the shortest path between the  $V_{IN}$  pin and ground pin.
2. Please mount each external component as close to the IC as possible.
3. Wire external components as close to the IC as possible and use thick, short connecting traces to reduce the circuit impedance.
4. Make sure that the ground traces are as thick as possible, as variations in ground potential caused by high ground currents at the time of switching may result in instability of the IC.
5. Internal driver transistors bring on heat because of the transistor current and ON resistance of the driver transistors.
6. As precautions on mounting, please set the mounting position accuracy within 0.05 mm

### ● Recommended Pattern Layout



Top view



Back side top view

## TYPICAL PERFORMANCE CHARACTERISTICS

### 1) Output Voltage vs. Output Current

XCL210A121GR-G/XCL210C121GR-G



XCL210B121GR-G/XCL210D121GR-G



XCL210A181GR-G/XCL210C181GR-G



XCL210B181GR-G/XCL210D181GR-G



XCL210A331GR-G/XCL210C331GR-G



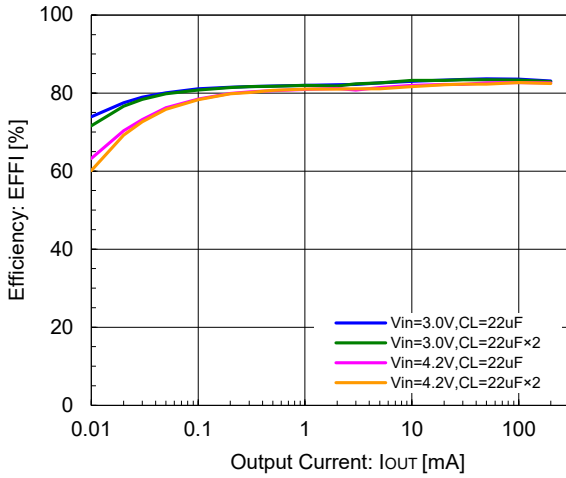
XCL210B331GR-G/XCL210D331GR-G



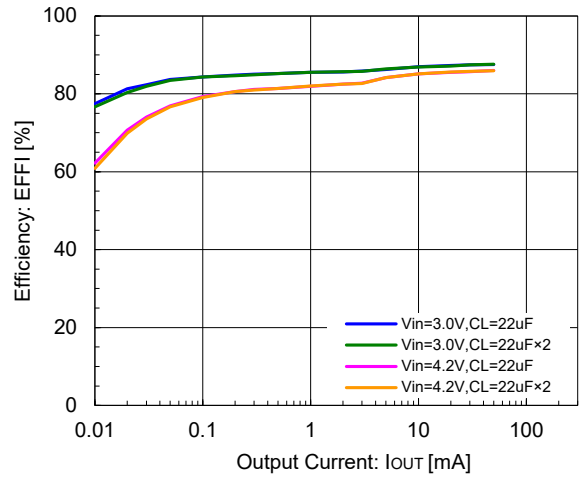
## TYPICAL PERFORMANCE CHARACTERISTICS (Continued)

### 2) Efficiency vs. Output Current

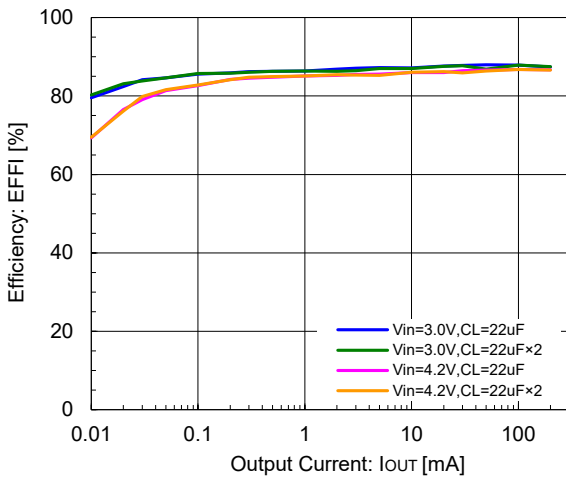
XCL210A121GR-G/XCL210C121GR-G



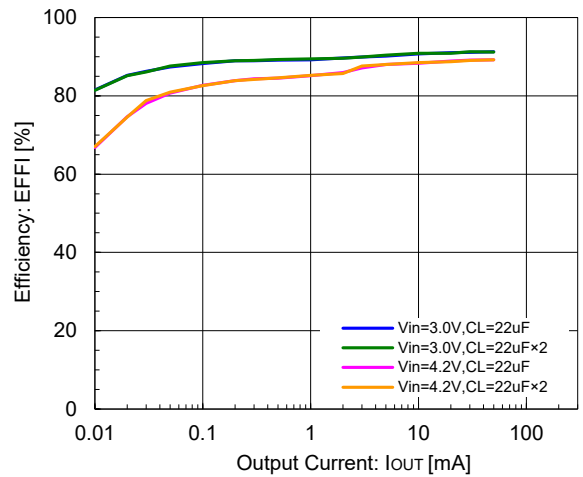
XCL210B121GR-G/XCL210D121GR-G



XCL210A181GR-G/XCL210C181GR-G



XCL210B181GR-G/XCL210D181GR-G



XCL210A331GR-G/XCL210C331GR-G



XCL210B331GR-G/XCL210D331GR-G



## ■ TYPICAL PERFORMANCE CHARACTERISTICS (Continued)

### 3) Ripple Voltage vs. Output Current

XCL210A121GR-G/XCL210C121GR-G



XCL210B121GR-G/XCL210D121GR-G



XCL210A181GR-G/XCL210C181GR-G



XCL210B181GR-G/XCL210D181GR-G



XCL210A331GR-G/XCL210C331GR-G



XCL210B331GR-G/XCL210D331GR-G



## TYPICAL PERFORMANCE CHARACTERISTICS (Continued)

### 4) Ambient Temperature vs. Output Voltage



## TYPICAL PERFORMANCE CHARACTERISTICS (Continued)

### 5) Load Transient Response

(1) XCL210B181GR-G,  $V_{IN}=3.6V$ ,  $V_{OUT}=1.8V$  /  $I_{OUT}=0.1mA \leftrightarrow 30mA$



(2) XCL210B181GR-G,  $V_{IN}=3.6V$ ,  $V_{OUT}=1.8V$  /  $I_{OUT}=10mA \leftrightarrow 30mA$



## ■ PACKAGING INFORMATION

For the latest package information go to, [www.torexsemi.com/technical-support/packages](http://www.torexsemi.com/technical-support/packages)

| PACKAGE    | OUTLINE / LAND PATTERN         | THERMAL CHARACTERISTICS |  |
|------------|--------------------------------|-------------------------|--|
| CL-2025-02 | <a href="#">CL-2025-02 PKG</a> | Standard Board          | <a href="#">CL-2025-02 Power Dissipation</a> |



## MARKING RULE

●CL-2025-02



① represents products series

| MARK | PRODUCT SERIES |
|------|----------------|
| 0    | XCL210****-G   |

② represents integer of the output voltage

| MARK | TYPE | OUTPUT VOLTAGE(V) | PRODUCT SERIES |
|------|------|-------------------|----------------|
| 8    | A    | 1.x               | XCL210A1****-G |
| 9    |      | 2.x               | XCL210A2****-G |
| E    |      | 3.x               | XCL210A3****-G |
| F    |      | 4.x               | XCL210A4****-G |
| H    | B    | 1.x               | XCL210B1****-G |
| K    |      | 2.x               | XCL210B2****-G |
| L    |      | 3.x               | XCL210B3****-G |
| M    |      | 4.x               | XCL210B4****-G |
| N    | C    | 1.x               | XCL210C1****-G |
| P    |      | 2.x               | XCL210C2****-G |
| R    |      | 3.x               | XCL210C3****-G |
| S    |      | 4.x               | XCL210C4****-G |
| T    | D    | 1.x               | XCL210D1****-G |
| U    |      | 2.x               | XCL210D2****-G |
| V    |      | 3.x               | XCL210D3****-G |
| X    |      | 4.x               | XCL210D4****-G |
| Z    | F    | 0.x               | XCL210F0****-G |
| A    | H    | 0.x               | XCL210H0****-G |

③ represents the decimal part of output voltage

| MARK | OUTPUT VOLTAGE(V) | PRODUCT SERIES |
|------|-------------------|----------------|
| X.0  | 0                 | XCL210**0***-G |
| X.05 | A                 | XCL210**A***-G |
| X.1  | 1                 | XCL210**1***-G |
| X.15 | B                 | XCL210**B***-G |
| X.2  | 2                 | XCL210**2***-G |
| X.25 | C                 | XCL210**C***-G |
| X.3  | 3                 | XCL210**3***-G |
| X.35 | D                 | XCL210**D***-G |
| X.4  | 4                 | XCL210**4***-G |
| X.45 | E                 | XCL210**E***-G |
| X.5  | 5                 | XCL210**5***-G |
| X.55 | F                 | XCL210**F***-G |
| X.6  | 6                 | XCL210**6***-G |
| X.65 | H                 | XCL210**H***-G |
| X.7  | 7                 | XCL210**7***-G |
| X.75 | K                 | XCL210**K***-G |
| X.8  | 8                 | XCL210**8***-G |
| X.85 | L                 | XCL210**L***-G |
| X.9  | 9                 | XCL210**9***-G |
| X.95 | M                 | XCL210**M***-G |

④,⑤ represents production lot number

01~09, 0A~0Z, 11~9Z, A1~A9, AA~AZ, B1~ZZ in order.

(G, I, J, O, Q, W excluded)

Note: No character inversion used.

1. The product and product specifications contained herein are subject to change without notice to improve performance characteristics. Consult us, or our representatives before use, to confirm that the information in this datasheet is up to date.
2. The information in this datasheet is intended to illustrate the operation and characteristics of our products. We neither make warranties or representations with respect to the accuracy or completeness of the information contained in this datasheet nor grant any license to any intellectual property rights of ours or any third party concerning with the information in this datasheet.
3. Applicable export control laws and regulations should be complied and the procedures required by such laws and regulations should also be followed, when the product or any information contained in this datasheet is exported.
4. The product is neither intended nor warranted for use in equipment of systems which require extremely high levels of quality and/or reliability and/or a malfunction or failure which may cause loss of human life, bodily injury, serious property damage including but not limited to devices or equipment used in 1) nuclear facilities, 2) aerospace industry, 3) medical facilities, 4) automobile industry and other transportation industry and 5) safety devices and safety equipment to control combustions and explosions. Do not use the product for the above use unless agreed by us in writing in advance.
5. Although we make continuous efforts to improve the quality and reliability of our products; nevertheless Semiconductors are likely to fail with a certain probability. So in order to prevent personal injury and/or property damage resulting from such failure, customers are required to incorporate adequate safety measures in their designs, such as system fail safes, redundancy and fire prevention features.
6. Our products are not designed to be Radiation-resistant.
7. Please use the product listed in this datasheet within the specified ranges.
8. We assume no responsibility for damage or loss due to abnormal use.
9. All rights reserved. No part of this datasheet may be copied or reproduced unless agreed by Torex Semiconductor Ltd in writing in advance.

TOREX SEMICONDUCTOR LTD.

Компания «Океан Электроники» предлагает заключение долгосрочных отношений при поставках импортных электронных компонентов на взаимовыгодных условиях!

Наши преимущества:

- Поставка оригинальных импортных электронных компонентов напрямую с производств Америки, Европы и Азии, а так же с крупнейших складов мира;
- Широкая линейка поставок активных и пассивных импортных электронных компонентов (более 30 млн. наименований);
- Поставка сложных, дефицитных, либо снятых с производства позиций;
- Оперативные сроки поставки под заказ (от 5 рабочих дней);
- Экспресс доставка в любую точку России;
- Помощь Конструкторского Отдела и консультации квалифицированных инженеров;
- Техническая поддержка проекта, помощь в подборе аналогов, поставка прототипов;
- Поставка электронных компонентов под контролем ВП;
- Система менеджмента качества сертифицирована по Международному стандарту ISO 9001;
- При необходимости вся продукция военного и аэрокосмического назначения проходит испытания и сертификацию в лаборатории (по согласованию с заказчиком);
- Поставка специализированных компонентов военного и аэрокосмического уровня качества (Xilinx, Altera, Analog Devices, Intersil, Interpoint, Microsemi, Actel, Aeroflex, Peregrine, VPT, Syfer, Eurofarad, Texas Instruments, MS Kennedy, Miteq, Cobham, E2V, MA-COM, Hittite, Mini-Circuits, General Dynamics и др.);

Компания «Океан Электроники» является официальным дистрибьютором и эксклюзивным представителем в России одного из крупнейших производителей разъемов военного и аэрокосмического назначения «JONHON», а так же официальным дистрибьютором и эксклюзивным представителем в России производителя высокотехнологичных и надежных решений для передачи СВЧ сигналов «FORSTAR».



## JONHON

«JONHON» (основан в 1970 г.)

Разъемы специального, военного и аэрокосмического назначения:

(Применяются в военной, авиационной, аэрокосмической, морской, железнодорожной, горно- и нефтедобывающей отраслях промышленности)

«FORSTAR» (основан в 1998 г.)

ВЧ соединители, коаксиальные кабели,  
кабельные сборки и микроволновые компоненты:

(Применяются в телекоммуникациях гражданского и специального назначения, в средствах связи, РЛС, а так же военной, авиационной и аэрокосмической отраслях промышленности).



Телефон: 8 (812) 309-75-97 (многоканальный)

Факс: 8 (812) 320-03-32

Электронная почта: [ocean@oceanchips.ru](mailto:ocean@oceanchips.ru)

Web: <http://oceanchips.ru/>

Адрес: 198099, г. Санкт-Петербург, ул. Калинина, д. 2, корп. 4, лит. А