

ISL9120IRx-EVZ

Evaluation Board

UG042  
Rev 0.00  
July 17, 2015

**Description**

The [ISL9120IR](#) is a highly integrated buck-boost switching regulator for systems using new battery chemistries. It uses Intersil's proprietary buck-boost algorithm to maintain voltage regulation, while providing excellent efficiency and very low output voltage ripple when the input voltage is close to the output voltage. The ISL9120IRx-EVZ platforms allow quick evaluation of the high performance features of the ISL9120IR buck-boost regulator series.

**Specifications**

The boards are designed to operate under the following conditions:

- Input voltage range of 1.8V to 5.5V
- Resistor programmable output voltage on the ISL9120IRA-EVZ
- Fixed 3.3V output voltage on the ISL9120IRN-EVZ
- Up to 800mA output current ( $V_{IN} = 2.5V$ ,  $V_{OUT} = 3.3V$ )
- Operating temperature range:  $-40^{\circ}C$  to  $+85^{\circ}C$

**Key Features**

- Small, compact design
- Jumper selectable EN (enabled/disabled)
- Jumper selectable BYP (buck-boost/forced bypass)
- Connectors, test points and jumpers for easy probing

**References**

- [ISL9120IR](#) Datasheet

**Ordering Information**

PART NUMBER	DESCRIPTION
ISL9120IRN-EVZ	Evaluation board for ISL9120IRNZ, fixed 3.3V output
ISL9120IRA-EVZ	Evaluation board for ISL9120IRAZ, adjustable output

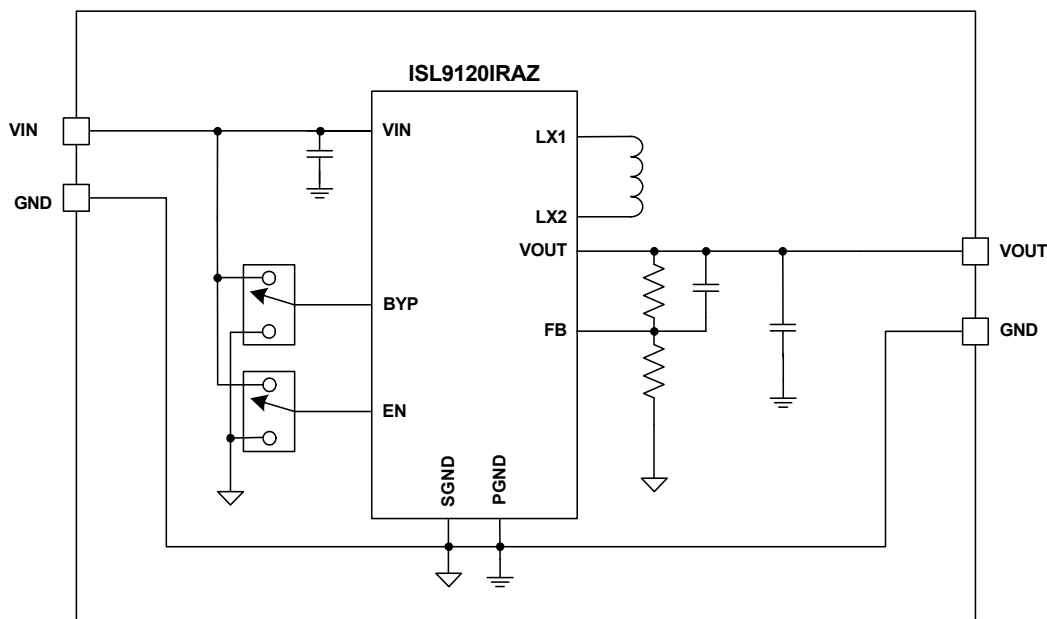


FIGURE 1. ISL9120IRA-EVZ BLOCK DIAGRAM

## Functional Description

The ISL9120IRx-EVZ evaluation boards provide simple platforms to demonstrate the features of the ISL9120IR buck-boost regulator. The ISL9120IRN-EVZ is for the fixed 3.3V output IC ISL9120IRNZ. The ISL9120IRA-EVZ is for the adjustable output IC ISL9120IRAZ. The evaluation boards have been functionally optimized for best performance of the ISL9120IR IC series. The input power and load connections are provided through multipin connectors for high current operations.

The ISL9120IRA-EVZ evaluation board schematic is shown in [Figure 5, on page 3](#). The board's enable function is controlled by the on-board jumper header J3. Similarly, the forced bypass function is controlled by the on-board jumper header J4. The schematic for the ISL9120IRN-EVZ is shown in [Figure 7, on page 5](#). The PCB layout images for all layers are shown in [Figures 8 and 9 on page 6](#). The bill of materials for the ISL9120IRA-EVZ is shown in [Table 2 on page 4](#). The bill of materials for the ISL9120IRN-EVZ is shown in [Table 3 on page 5](#).

## Operating Range

The  $V_{IN}$  range of the boards is 1.8V to 5.5V. The  $V_{OUT}$  range for the ISL9120IRA-EVZ is 2V to 5V. The  $I_{OUT}$  range of the boards is 0 to 1A. The operating ambient temperature range is  $-40^{\circ}\text{C}$  to  $+85^{\circ}\text{C}$ .

## Quick Start Guide

For the ISL9120IRA-EVZ board, the default output voltage is set at 3.3V. Should other output voltages be desired, resistor  $R_2$  can be changed to set a desired voltage as shown in [Table 1](#) (use a resistor with 1% accuracy).

Refer to the following Quick Setup Guide to configure and power up the board for proper operation. During the power-on process, the expected waveforms are shown in [Figures 2 and 3](#).

### Quick Setup Guide

1. Install jumper on J3, shorting EN to VIN.
2. Install jumper on J4, shorting BYP to GND.
3. Connect power supply to J1, with a voltage setting between 1.8V and 5.5V.
4. Connect electronic load to J2.
5. Place scope probes on the  $V_{OUT}$  test point and other test points of interest.
6. Turn on the power supply.
7. Monitor the output voltage start-up sequence on the scope. The waveforms will look similar to that shown in [Figures 2 and 3](#).
8. Turn on the electronic load.
9. Measure the output voltage with the voltmeter. The voltage should regulate within datasheet spec limits.

TABLE 1. OUTPUT VOLTAGE PROGRAMMING FOR ISL9120IRA-EVZ

DESIRED OUTPUT VOLTAGE (V)	R <sub>2</sub> RESISTOR VALUE (k $\Omega$ )
2.0	124
2.5	88.7
3.0	68.1
3.3	60.4
3.4	57.6
4.0	46.4
4.5	40.2
5.0	35.7

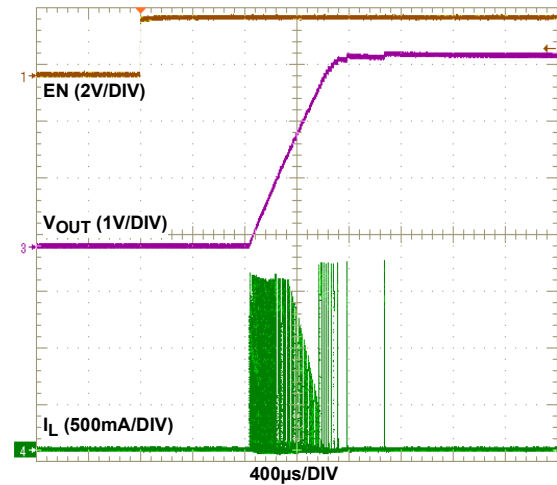


FIGURE 2. SOFT-START ( $V_{IN} = 3\text{V}$ ,  $V_{OUT} = 3.3\text{V}$ , NO LOAD)

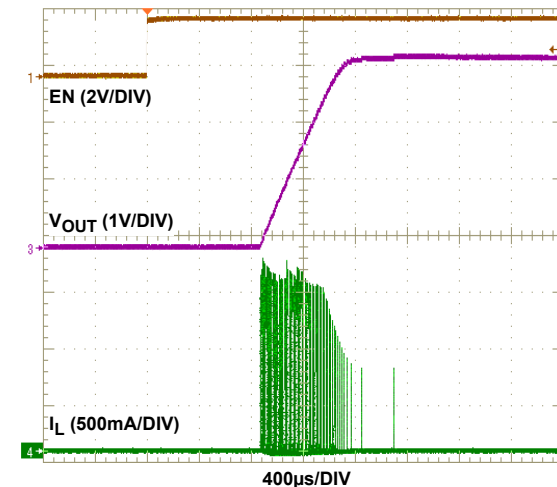


FIGURE 3. SOFT-START ( $V_{IN} = 4\text{V}$ ,  $V_{OUT} = 3.3\text{V}$ , NO LOAD)

## Recommended PCB Layout

Correct PCB layout is critical for proper operation of the ISL9120IR. The input and output capacitors should be positioned as closely to the IC as possible. The ground connections of the input and output capacitors should be kept as short as possible and should be on the component layer to avoid problems that are caused by high switching currents flowing through PCB vias.



FIGURE 4. ISL9120IRA-EVZ EVALUATION BOARD

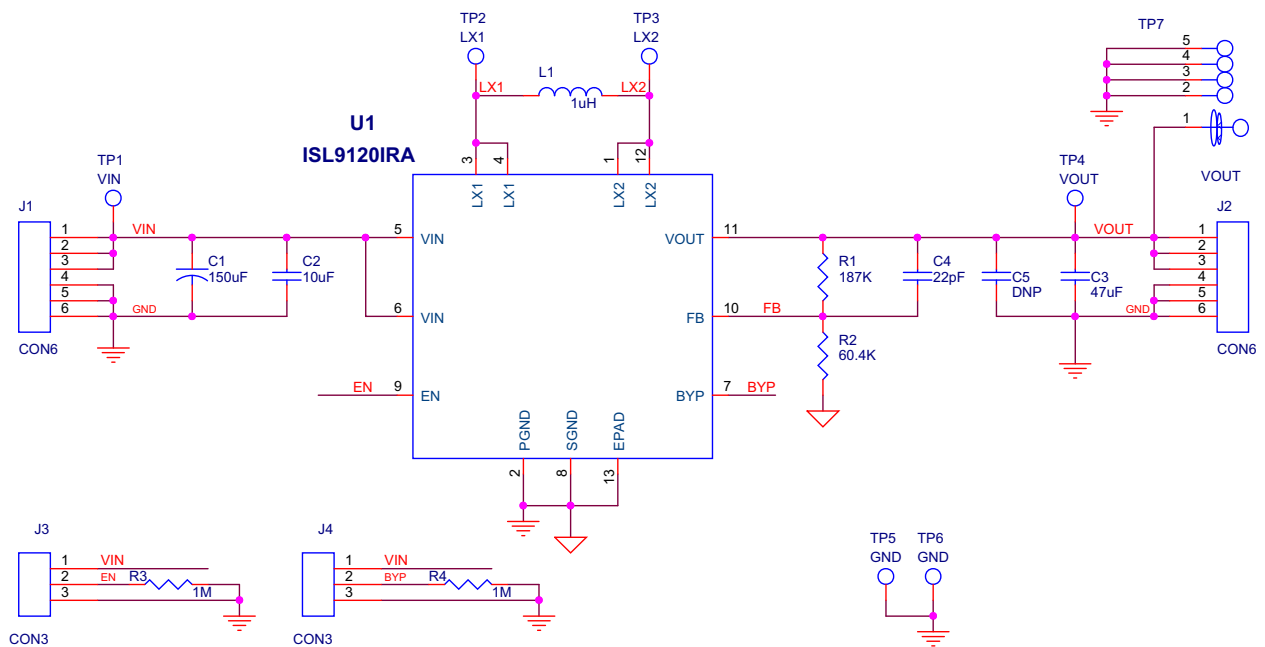


FIGURE 5. ISL9120IRA-EVZ EVALUATION BOARD SCHEMATIC

**TABLE 2. ISL9120IRA-EVZ EVALUATION BOARD BILL OF MATERIALS**

ITEM#	QTY	REFERENCE DESIGNATOR	PART TYPE	FOOTPRINT	DESCRIPTION	MANUFACTURER
1	1	U1	ISL9120IRAZ	L12.3x3A; TQFN	Intersil ISL9120IR buck-boost regulator with adjustable output voltage	INTERSIL
2	1	L1	1 $\mu$ H	0806	Power Inductor Toko DFE201610R series, 2.7A (typical), 80m $\Omega$ (typical)	TOKO
3	1	C1	150 $\mu$ F	1210	Capacitor, Tantalum	ANY
4	1	C2	10 $\mu$ F/16V/X5R	0603	Capacitor, Generic	ANY
5	1	C3	47 $\mu$ F/6.3V/X5R	0603	Capacitor, Generic	ANY
6	1	C4	22pF	0402	Capacitor, Generic	ANY
7	1	R1	187k $\Omega$ , 1%	0402	Resistor, Generic	ANY
8	1	R2	60.4k $\Omega$ , 1%	0402	Resistor, Generic	ANY
9	2	R3, R4	1M $\Omega$ , 5%	0603	Resistor, Generic	ANY
10	2	J1, J2	HDR-6	HDR-6	Vert. Pin Header, 6-Pin, 0.1" Spacing, Generic	ANY
11	2	J3, J4	HDR-3	HDR-3	Vert. Pin Header, 3-Pin, 0.1" Spacing, Generic	ANY
12	6	TP1, TP2, TP3, TP4, TP5, TP6	Terminal Pin	0.052" hole	Test Point, Terminal Pin Turret 0.082" [2110-2-00-80-00-00-07-0]	MILL MAX MANUFACTURING CORP.
13	1	TP7	Scope Probe Holder	Scope Probe Holder	Test Point, Scope Probe Holder 131-5031-00	TEKTRONIX



**FIGURE 6. ISL9120IRN-EVZ EVALUATION BOARD**

# ISL9120IRN-EVZ Evaluation Board Schematic

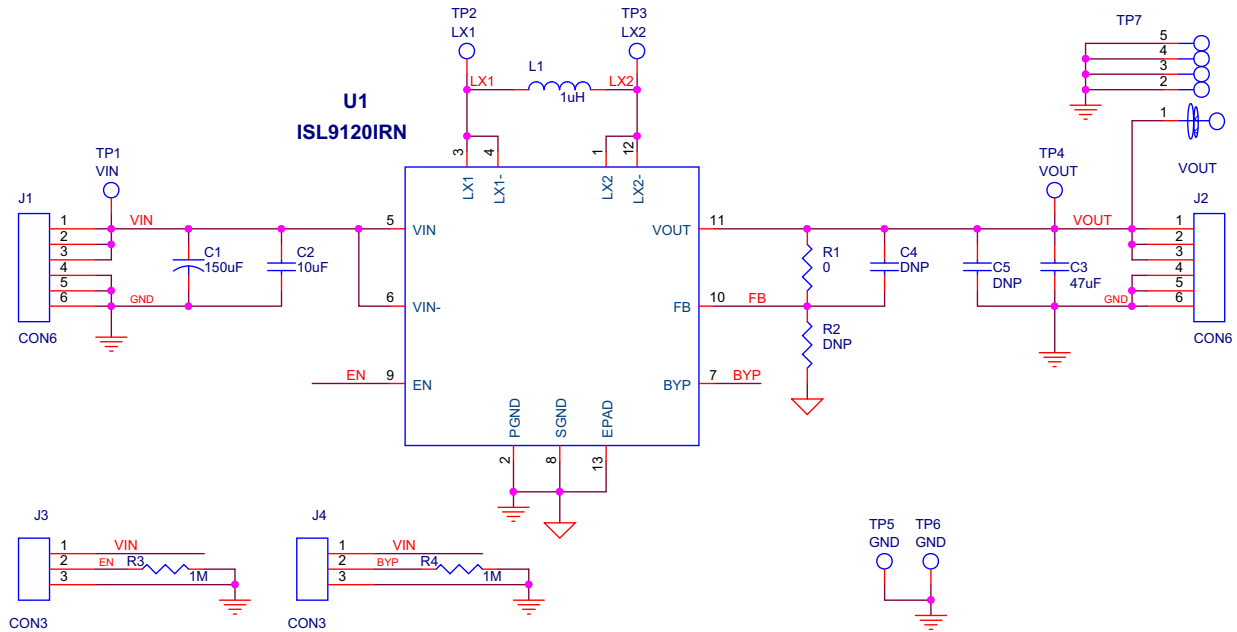


FIGURE 7. ISL9120IRN-EVZ EVALUATION BOARD SCHEMATIC

TABLE 3. ISL9120IRN-EVZ EVALUATION BOARD BILL OF MATERIALS

ITEM#	QTY	REFERENCE DESIGNATOR	PART TYPE	FOOTPRINT	DESCRIPTION	MANUFACTURER
1	1	U1	ISL9120IRNZ	L12.3x3A; TQFN	Intersil ISL9120IR Buck-boost Regulator	INTERSIL
2	1	L1	1µH	0806	Power Inductor Toko DFE201610R series, 2.7A (typical), 80mΩ (typical)	TOKO
3	1	C1	150µF	1210	Capacitor, Tantalum	ANY
4	1	C2	10µF/16V/X5R	0603	Capacitor, Generic	ANY
5	1	C3	47µF/6.3V/X5R	0603	Capacitor, Generic	ANY
6	1	C4	DNP	0402		ANY
7	1	R1	0Ω	0402	Resistor, Generic	ANY
8	1	R2	DNP	0402		ANY
9	2	R3, R4	1MΩ, 5%	0603	Resistor, Generic	ANY
10	2	J1, J2	HDR-6	HDR-6	Vert. Pin Header, 6-Pin, 0.1" Spacing, Generic	ANY
11	2	J3, J4	HDR-3	HDR-3	Vert. Pin Header, 3-Pin, 0.1" Spacing, Generic	ANY
12	6	TP1, TP2, TP3, TP4, TP5, TP6	Terminal Pin	0.052" hole	Test Point, Terminal Pin Turret 0.082" [2110-2-00-80-00-00-07-0]	MILL MAX MANUFACTURING CORP.
13	1	TP7	Scope Probe Holder	Scope Probe Holder	Test Point, Scope Probe Holder 131-5031-00	TEKTRONIX

# PCB Layout

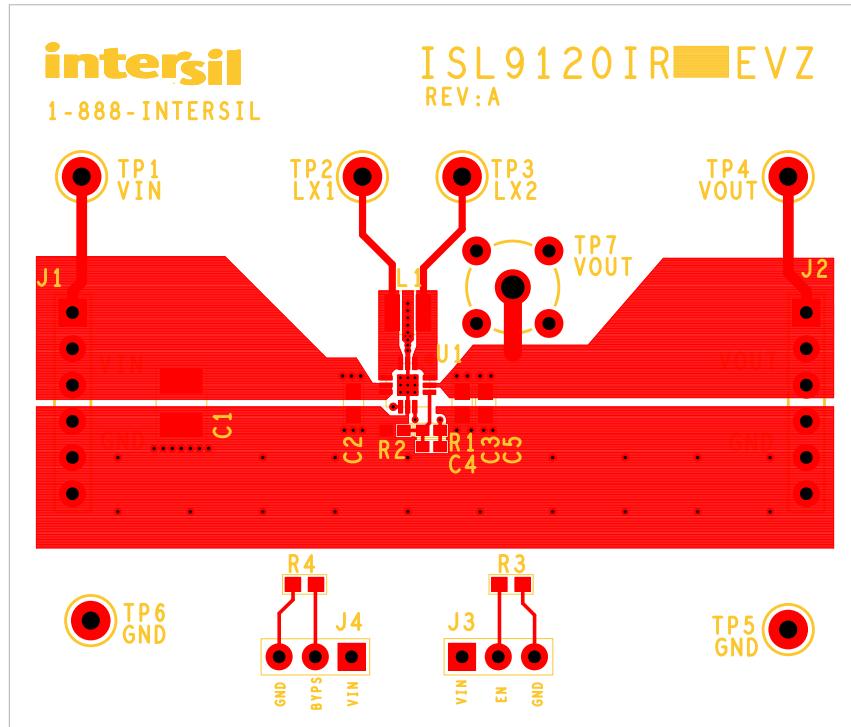


FIGURE 8. TOP LAYER

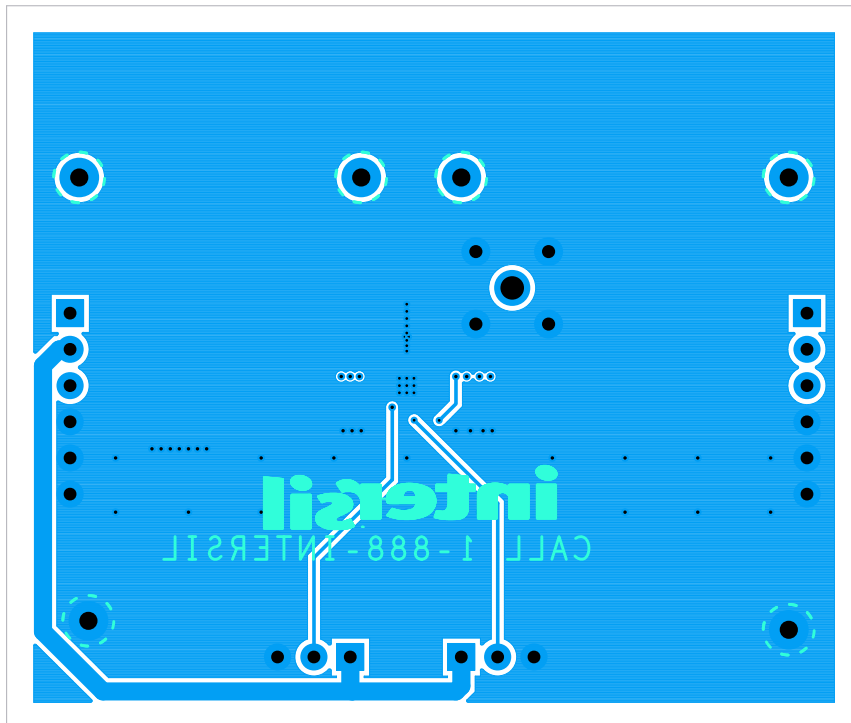


FIGURE 9. BOTTOM LAYER

## Notice

1. Descriptions of circuits, software and other related information in this document are provided only to illustrate the operation of semiconductor products and application examples. You are fully responsible for the incorporation or any other use of the circuits, software, and information in the design of your product or system. Renesas Electronics disclaims any and all liability for any losses and damages incurred by you or third parties arising from the use of these circuits, software, or information.
2. Renesas Electronics hereby expressly disclaims any warranties against and liability for infringement or any other claims involving patents, copyrights, or other intellectual property rights of third parties, by or arising from the use of Renesas Electronics products or technical information described in this document, including but not limited to, the product data, drawings, charts, programs, algorithms, and application examples.
3. No license, express, implied or otherwise, is granted hereby under any patents, copyrights or other intellectual property rights of Renesas Electronics or others.
4. You shall not alter, modify, copy, or reverse engineer any Renesas Electronics product, whether in whole or in part. Renesas Electronics disclaims any and all liability for any losses or damages incurred by you or third parties arising from such alteration, modification, copying or reverse engineering.
5. Renesas Electronics products are classified according to the following two quality grades: "Standard" and "High Quality". The intended applications for each Renesas Electronics product depends on the product's quality grade, as indicated below.  
"Standard": Computers; office equipment; communications equipment; test and measurement equipment; audio and visual equipment; home electronic appliances; machine tools; personal electronic equipment; industrial robots; etc.  
"High Quality": Transportation equipment (automobiles, trains, ships, etc.); traffic control (traffic lights); large-scale communication equipment; key financial terminal systems; safety control equipment; etc.  
Unless expressly designated as a high reliability product or a product for harsh environments in a Renesas Electronics data sheet or other Renesas Electronics document, Renesas Electronics products are not intended or authorized for use in products or systems that may pose a direct threat to human life or bodily injury (artificial life support devices or systems; surgical implantations; etc.), or may cause serious property damage (space system; undersea repeaters; nuclear power control systems; aircraft control systems; key plant systems; military equipment; etc.). Renesas Electronics disclaims any and all liability for any damages or losses incurred by you or any third parties arising from the use of any Renesas Electronics product that is inconsistent with any Renesas Electronics data sheet, user's manual or other Renesas Electronics document.
6. When using Renesas Electronics products, refer to the latest product information (data sheets, user's manuals, application notes, "General Notes for Handling and Using Semiconductor Devices" in the reliability handbook, etc.), and ensure that usage conditions are within the ranges specified by Renesas Electronics with respect to maximum ratings, operating power supply voltage range, heat dissipation characteristics, installation, etc. Renesas Electronics disclaims any and all liability for any malfunctions, failure or accident arising out of the use of Renesas Electronics products outside of such specified ranges.
7. Although Renesas Electronics endeavors to improve the quality and reliability of Renesas Electronics products, semiconductor products have specific characteristics, such as the occurrence of failure at a certain rate and malfunctions under certain use conditions. Unless designated as a high reliability product or a product for harsh environments in a Renesas Electronics data sheet or other Renesas Electronics document, Renesas Electronics products are not subject to radiation resistance design. You are responsible for implementing safety measures to guard against the possibility of bodily injury, injury or damage caused by fire, and/or danger to the public in the event of a failure or malfunction of Renesas Electronics products, such as safety design for hardware and software, including but not limited to redundancy, fire control and malfunction prevention, appropriate treatment for aging degradation or any other appropriate measures. Because the evaluation of microcomputer software alone is very difficult and impractical, you are responsible for evaluating the safety of the final products or systems manufactured by you.
8. Please contact a Renesas Electronics sales office for details as to environmental matters such as the environmental compatibility of each Renesas Electronics product. You are responsible for carefully and sufficiently investigating applicable laws and regulations that regulate the inclusion or use of controlled substances, including without limitation, the EU RoHS Directive, and using Renesas Electronics products in compliance with all these applicable laws and regulations. Renesas Electronics disclaims any and all liability for damages or losses occurring as a result of your noncompliance with applicable laws and regulations.
9. Renesas Electronics products and technologies shall not be used for or incorporated into any products or systems whose manufacture, use, or sale is prohibited under any applicable domestic or foreign laws or regulations. You shall comply with any applicable export control laws and regulations promulgated and administered by the governments of any countries asserting jurisdiction over the parties or transactions.
10. It is the responsibility of the buyer or distributor of Renesas Electronics products, or any other party who distributes, disposes of, or otherwise sells or transfers the product to a third party, to notify such third party in advance of the contents and conditions set forth in this document.
11. This document shall not be reprinted, reproduced or duplicated in any form, in whole or in part, without prior written consent of Renesas Electronics.
12. Please contact a Renesas Electronics sales office if you have any questions regarding the information contained in this document or Renesas Electronics products.  
(Note 1) "Renesas Electronics" as used in this document means Renesas Electronics Corporation and also includes its directly or indirectly controlled subsidiaries.  
(Note 2) "Renesas Electronics product(s)" means any product developed or manufactured by or for Renesas Electronics.

(Rev.4.0-1 November 2017)



### SALES OFFICES

Renesas Electronics Corporation

<http://www.renesas.com>

Refer to "<http://www.renesas.com/>" for the latest and detailed information.

**Renesas Electronics America Inc.**  
1001 Murphy Ranch Road, Milpitas, CA 95035, U.S.A.  
Tel: +1-408-432-8888, Fax: +1-408-434-5351

**Renesas Electronics Canada Limited**  
9251 Yonge Street, Suite 8309 Richmond Hill, Ontario Canada L4C 9T3  
Tel: +1-905-237-2004

**Renesas Electronics Europe Limited**  
Dukes Meadow, Millboard Road, Bourne End, Buckinghamshire, SL8 5FH, U.K.  
Tel: +44-1628-651-700, Fax: +44-1628-651-804

**Renesas Electronics Europe GmbH**  
Arcadiastrasse 10, 40472 Düsseldorf, Germany  
Tel: +49-211-6503-0, Fax: +49-211-6503-1327

**Renesas Electronics (China) Co., Ltd.**  
Room 1709 Quantum Plaza, No.27 ZhichunLu, Haidian District, Beijing, 100191 P. R. China  
Tel: +86-10-8235-1155, Fax: +86-10-8235-7679

**Renesas Electronics (Shanghai) Co., Ltd.**  
Unit 301, Tower A, Central Towers, 555 Langao Road, Putuo District, Shanghai, 200333 P. R. China  
Tel: +86-21-2226-0888, Fax: +86-21-2226-0999

**Renesas Electronics Hong Kong Limited**  
Unit 1601-1611, 16/F., Tower 2, Grand Century Place, 193 Prince Edward Road West, Mongkok, Kowloon, Hong Kong  
Tel: +852-2265-6688, Fax: +852-2886-9022

**Renesas Electronics Taiwan Co., Ltd.**  
13F, No. 363, Fu Shing North Road, Taipei 10543, Taiwan  
Tel: +886-2-8175-9600, Fax: +886-2-8175-9670

**Renesas Electronics Singapore Pte. Ltd.**  
80 Bendemeer Road, Unit #06-02 Hyflux Innovation Centre, Singapore 339949  
Tel: +65-6213-0200, Fax: +65-6213-0300

**Renesas Electronics Malaysia Sdn.Bhd.**  
Unit 1207, Block B, Menara Amcorp, Amcorp Trade Centre, No. 18, Jln Persiaran Barat, 46050 Petaling Jaya, Selangor Darul Ehsan, Malaysia  
Tel: +60-3-7955-9390, Fax: +60-3-7955-9510

**Renesas Electronics India Pvt. Ltd.**  
No.777C, 100 Feet Road, HAL 2nd Stage, Indiranagar, Bangalore 560 038, India  
Tel: +91-80-67208700, Fax: +91-80-67208777

**Renesas Electronics Korea Co., Ltd.**  
17F, KAMCO Yangjae Tower, 262, Gangnam-daero, Gangnam-gu, Seoul, 06265 Korea  
Tel: +82-2-558-3737, Fax: +82-2-558-5338

Компания «Океан Электроники» предлагает заключение долгосрочных отношений при поставках импортных электронных компонентов на взаимовыгодных условиях!

Наши преимущества:

- Поставка оригинальных импортных электронных компонентов напрямую с производств Америки, Европы и Азии, а так же с крупнейших складов мира;
- Широкая линейка поставок активных и пассивных импортных электронных компонентов (более 30 млн. наименований);
- Поставка сложных, дефицитных, либо снятых с производства позиций;
- Оперативные сроки поставки под заказ (от 5 рабочих дней);
- Экспресс доставка в любую точку России;
- Помощь Конструкторского Отдела и консультации квалифицированных инженеров;
- Техническая поддержка проекта, помощь в подборе аналогов, поставка прототипов;
- Поставка электронных компонентов под контролем ВП;
- Система менеджмента качества сертифицирована по Международному стандарту ISO 9001;
- При необходимости вся продукция военного и аэрокосмического назначения проходит испытания и сертификацию в лаборатории (по согласованию с заказчиком);
- Поставка специализированных компонентов военного и аэрокосмического уровня качества (Xilinx, Altera, Analog Devices, Intersil, Interpoint, Microsemi, Actel, Aeroflex, Peregrine, VPT, Syfer, Eurofarad, Texas Instruments, MS Kennedy, Miteq, Cobham, E2V, MA-COM, Hittite, Mini-Circuits, General Dynamics и др.);

Компания «Океан Электроники» является официальным дистрибьютором и эксклюзивным представителем в России одного из крупнейших производителей разъемов военного и аэрокосмического назначения «JONHON», а так же официальным дистрибьютором и эксклюзивным представителем в России производителя высокотехнологичных и надежных решений для передачи СВЧ сигналов «FORSTAR».



## JONHON

«JONHON» (основан в 1970 г.)

Разъемы специального, военного и аэрокосмического назначения:

(Применяются в военной, авиационной, аэрокосмической, морской, железнодорожной, горно- и нефтедобывающей отраслях промышленности)

«FORSTAR» (основан в 1998 г.)

ВЧ соединители, коаксиальные кабели, кабельные сборки и микроволновые компоненты:

(Применяются в телекоммуникациях гражданского и специального назначения, в средствах связи, РЛС, а так же военной, авиационной и аэрокосмической отраслях промышленности).



Телефон: 8 (812) 309-75-97 (многоканальный)

Факс: 8 (812) 320-03-32

Электронная почта: [ocean@oceanchips.ru](mailto:ocean@oceanchips.ru)

Web: <http://oceanchips.ru/>

Адрес: 198099, г. Санкт-Петербург, ул. Калинина, д. 2, корп. 4, лит. А