

**DATA SHEET**

# SKY13321-360LF: 0.1-3.0 GHz GaAs SPDT Switch

## Applications

- Higher power applications with excellent linearity performance
- WiMAX systems

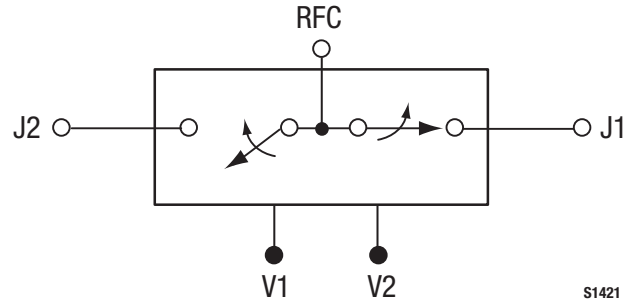
## Features

- Positive voltage control (0 to 1.8 V)
- High isolation, 26 dB typical @ 1 GHz
- Low loss, 0.4 dB typical @ 1 GHz
- Excellent linearity performance, P-0.1dB insertion point @ +39 dBm
- Small, QFN (8-pin, 2 x 2 mm) package (MSL1, 260 °C per JEDEC J-STD-020)

**NEW**



Skyworks Green™ products are RoHS (Restriction of Hazardous Substances)-compliant, conform to the EIA/EICTA/JEITA Joint Industry Guide (JIG) Level A guidelines, are halogen free according to IEC-61249-2-21, and contain <1,000 ppm antimony trioxide in polymeric materials.



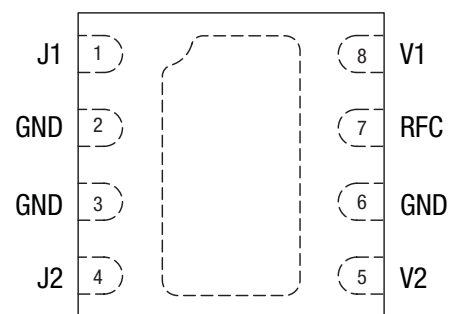
**Figure 1. SKY13321-360LF Block Diagram**

## Description

The SKY13321-360LF is a pHEMT GaAs FET I/C switch. The switch may be used in transmit/receive applications by connecting the RF common port (RFC, pin 7) to either the J1 or J2 port (pin 1 or 4, respectively) using a low loss path (i.e., a positive voltage applied to either V1 or V2 pins).

The switch is manufactured in a compact, 2 x 2 mm, 8-pin exposed pad plastic Quad Flat No-Lead (QFN) package.

A functional block diagram is shown in Figure 1. The pin configuration and package are shown in Figure 2. Signal pin assignments and functional pin descriptions are provided in Table 1.



S1420

**Figure 2. SKY13321-360LF Pinout – 8-Pin QFN (Top View)**

**Table 1. SKY13321-360LF Signal Descriptions**

Pin #	Name	Description	Pin #	Name	Description
1	J1	RF port	5	V2	DC control voltage
2	GND	Ground	6	GND	Ground
3	GND	Ground	7	RFC	RF port
4	J2	RF port	8	V1	DC control voltage

**Table 2. SKY13321-360LF Absolute Maximum Ratings**

Parameter	Symbol	Minimum	Typical	Maximum	Units
Input power @ 900 MHz, 5 V @ 130 MHz, 5 V	P <sub>IN</sub>			+40 +39	dBm dBm
Storage temperature	T <sub>STG</sub>	-65		+150	°C
Operating temperature	T <sub>OP</sub>	-40		+85	°C

**Note:** Exposure to maximum rating conditions for extended periods may reduce device reliability. There is no damage to device with only one parameter set at the limit and all other parameters set at or below their nominal value. Exceeding any of the limits listed here may result in permanent damage to the device.

**CAUTION:** Although this device is designed to be as robust as possible, Electrostatic Discharge (ESD) can damage this device. This device must be protected at all times from ESD. Static charges may easily produce potentials of several kilovolts on the human body or equipment, which can discharge without detection. Industry-standard ESD precautions should be used at all times.

**Table 3. SKY13321-360LF Recommended Operating Conditions**

Parameter	Symbol	Minimum	Typical	Maximum	Units
Frequency	f	0.1		3.0	GHz
Control voltage: low	V <sub>CTL_L</sub>	0		0.2	V
high	V <sub>CTL_H</sub>	1.8		5.0	V

**Electrical and Mechanical Specifications**

The absolute maximum ratings of the SKY13321-360LF are provided in Table 2. The recommended operating conditions are specified in Table 3 and electrical specifications are provided in Table 4.

Typical performance characteristics of the SKY13321-360LF are illustrated in Figures 3 through 8.

The state of the SKY13321-360LF is determined by the logic provided in Table 5.

**Table 4. SKY13321-360LF Electrical Specifications (Note 1)****( $V_{CTL} = 0\text{ V}$  and  $+3\text{ V}$ ,  $T_{OP} = +25\text{ }^{\circ}\text{C}$ ,  $P_{IN} = 0\text{ dBm}$ , Characteristic Impedance [ $Z_0$ ] =  $50\text{ }\Omega$ , Unless Otherwise Noted)**

Parameter	Symbol	Test Condition	Min	Typical	Max	Units
Frequency	f		0.1		3.0	GHz
Insertion loss		0.1-1.0 GHz		0.40	0.50	dB
		1.0-2.0 GHz		0.50	0.60	dB
		2.0-2.5 GHz		0.55	0.70	dB
		2.5-3.0 GHz		0.60	0.80	dB
Isolation		0.1-1.0 GHz	23	26		dB
		1.0-2.0 GHz	17	20		dB
		2.0-2.5 GHz	15	18		dB
		2.5-3.0 GHz	13	16		dB
Return loss (insertion loss state)		0.1-3.0 GHz		25		dB
Switching characteristics: Rise/fall time On/off time		10/90% or 90/10% RF		650		ns
		50% $V_{CTL}$ to 90/10% RF		800		ns
Input power for 0.1 dB compression		130 MHz		+39		dBm
		900 MHz		+39		dBm
		2450 MHz		+39		dBm
Second harmonic	2fo	$P_{IN} = +34.5\text{ dBm}$ , f = 900 MHz		-75		dBc
		$P_{IN} = +32.0\text{ dBm}$ , f = 1800 MHz		-70		dBc
		$P_{IN} = +36\text{ dBm}$ , f = 350 to 470 MHz (UHF band),		-80		dBc
Third harmonic	3fo	$P_{IN} = +34.5\text{ dBm}$ , f = 900 MHz		-75		dBc
		$P_{IN} = +32.0\text{ dBm}$ , f = 1800 MHz		-70		dBc
		$P_{IN} = +36\text{ dBm}$ , f = 350 to 470 MHz (UHF band)		-85		dBc
Blocker performance		Tone 1 = 1950 MHz @ +20 dBm, Tone 2 = 1760 MHz @ -15 dBm, IMD3 measured @ 2140 MHz		-105		dBm
Control voltage: Low High	$V_{CTL\_L}$		0		0.2	V
	$V_{CTL\_H}$		1.8		5.0	V
Control current	$I_{CC}$	$V_{CTL\_H} = 5\text{ V}$		100		$\mu\text{A}$

**Note 1:** Performance is guaranteed only under the conditions listed in this Table.

### Typical Performance Characteristics

( $V_{CTL} = 0\text{ V}$  and  $+3\text{ V}$ ,  $T_{OP} = +25\text{ }^\circ\text{C}$ ,  $P_{IN} = 0\text{ dBm}$ , Characteristic Impedance [ $Z_0$ ] =  $50\ \Omega$ , Blocking Capacitors =  $100\text{ pF}$ , Bypass Capacitors =  $33\text{ pF}$ , Unless Otherwise Noted)

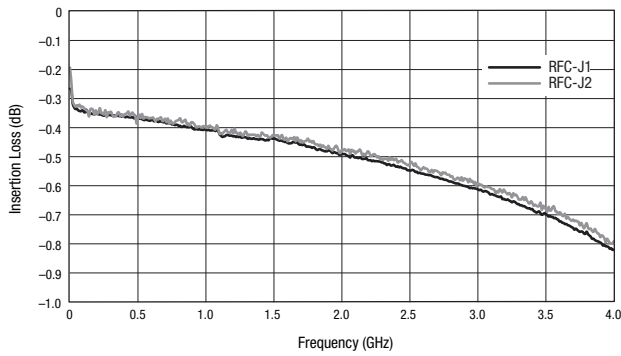


Figure 3. Typical Insertion Loss

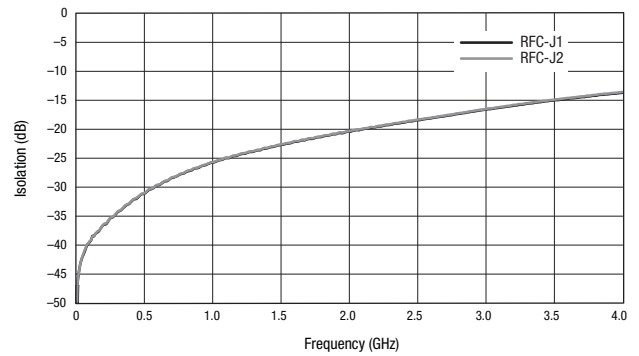


Figure 4. Typical Isolation

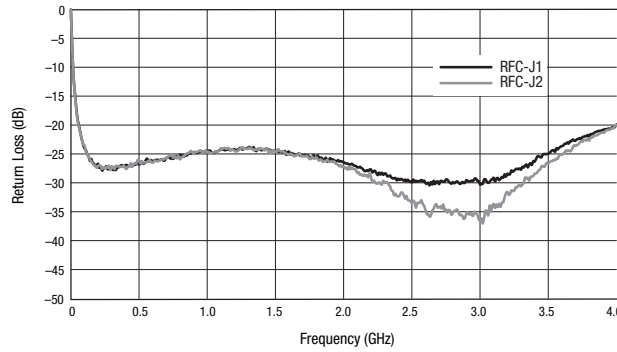


Figure 5. Typical Return Loss

### Typical Performance Characteristics

(T<sub>OP</sub> = +25 °C, Characteristic Impedance [Z<sub>0</sub>] = 50 Ω, Unless Otherwise Noted)

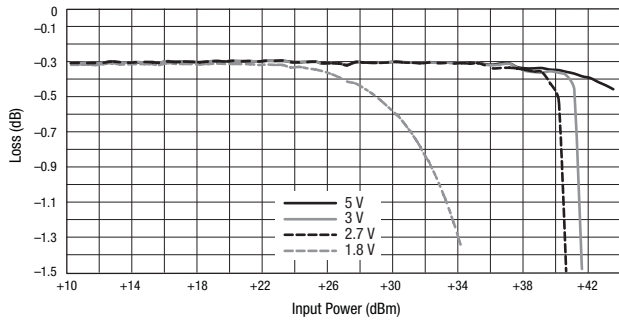


Figure 6. Typical 130 MHz Compression

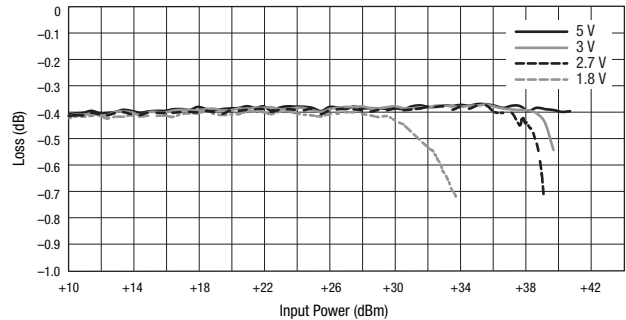


Figure 7. Typical 900 MHz Compression

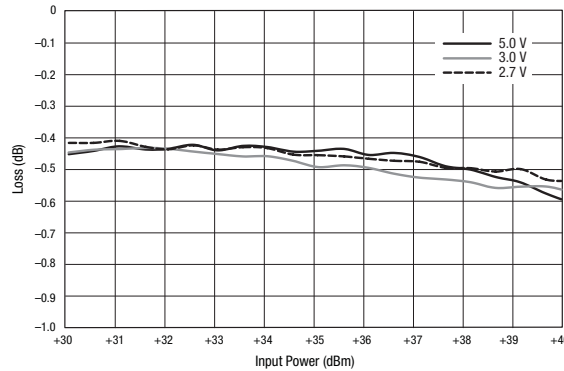


Figure 8. Typical 2450 MHz Compression

Table 5. SKY13321-360LF Truth Table

V1 (Pin 8)	V2 (Pin 5)	RFC to J1 Path	RFC to J2 Path
1	0	Insertion loss	Isolation
0	1	Isolation	Insertion loss

Note: "1" = +1.8 V to +5 V. "0" = 0 V. Any state other than described in this Table places the switch into an undefined state.

### Evaluation Board Description

The SKY13321-360LF Evaluation Board is used to test the performance of the SKY13321-360LF SPDT Switch. An assembly drawing for the Evaluation Board is shown in Figure 9.

### Package Dimensions

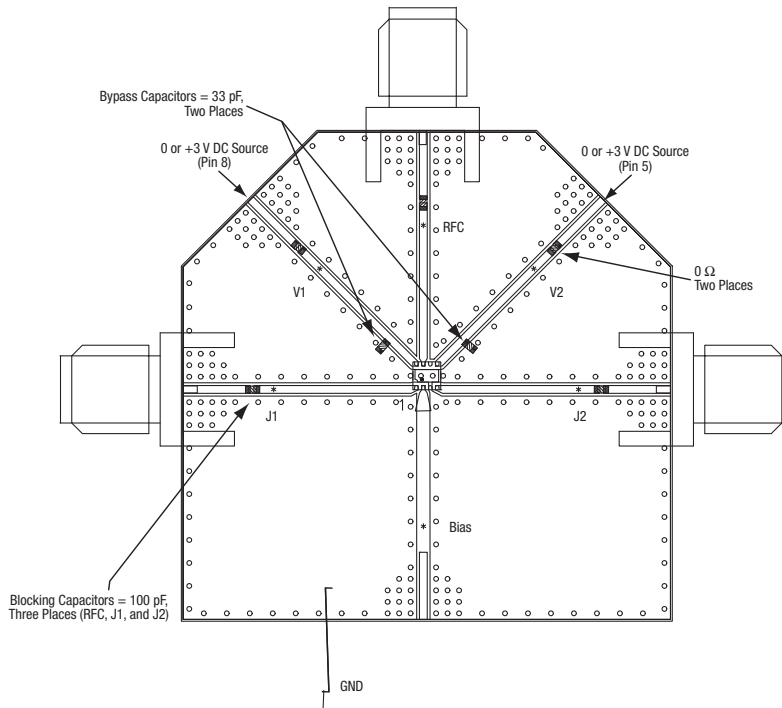
The PCB layout footprint for the SKY13321-360LF is provided in Figure 10. Typical case markings are shown in Figure 11. Package dimensions for the 4-pin QFN are shown in Figure 12, and tape and reel dimensions are provided in Figure 13.

### Package and Handling Information

Instructions on the shipping container label regarding exposure to moisture after the container seal is broken must be followed. Otherwise, problems related to moisture absorption may occur when the part is subjected to high temperature during solder assembly.

THE SKY13321-360LF is rated to Moisture Sensitivity Level 1 (MSL1) at 260 °C. It can be used for lead or lead-free soldering.

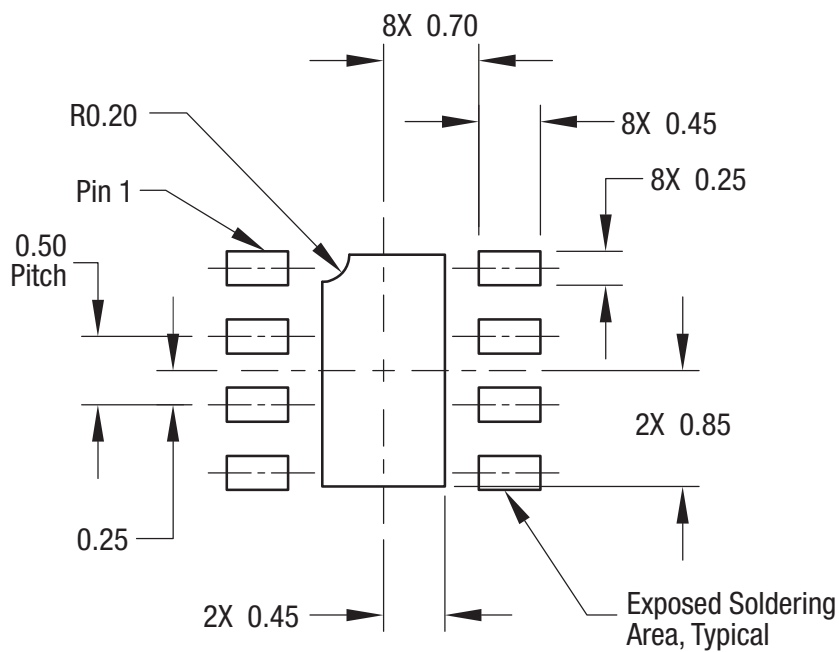
Care must be taken when attaching this product, whether it is done manually or in a production solder reflow environment. Production quantities of this product are shipped in a standard tape and reel format.



NOTE: A semi-universal Evaluation Board is used to test the SKY13321-360LF. Some RF lines are used to apply DC bias and have 0  $\Omega$  resistors installed. There are two RF bypass capacitors added to the DC control lines. The RF paths -- RFC, J1, and J2 -- have DC blocking capacitors installed.

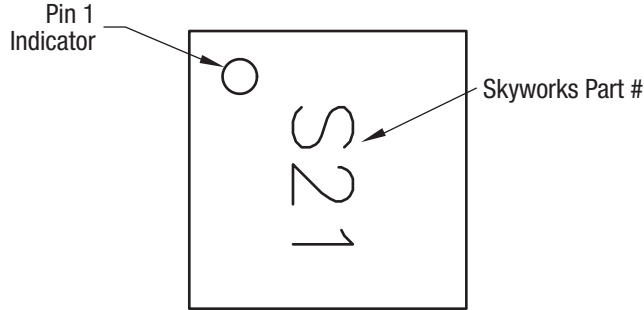
S1476

Figure 9. SKY13321-360LF Evaluation Board Assembly Diagram

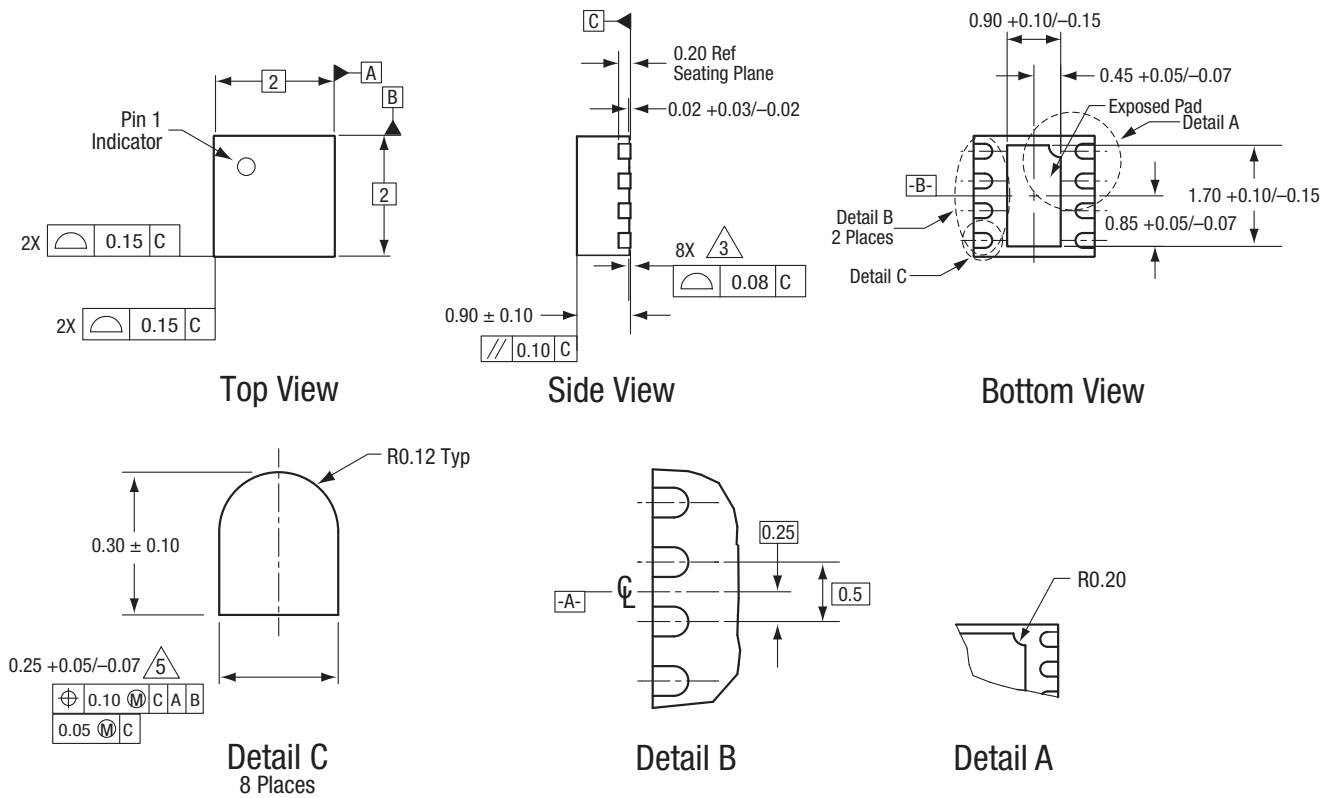


S1477

Figure 10. SKY13321-360LF PCB Layout Footprint



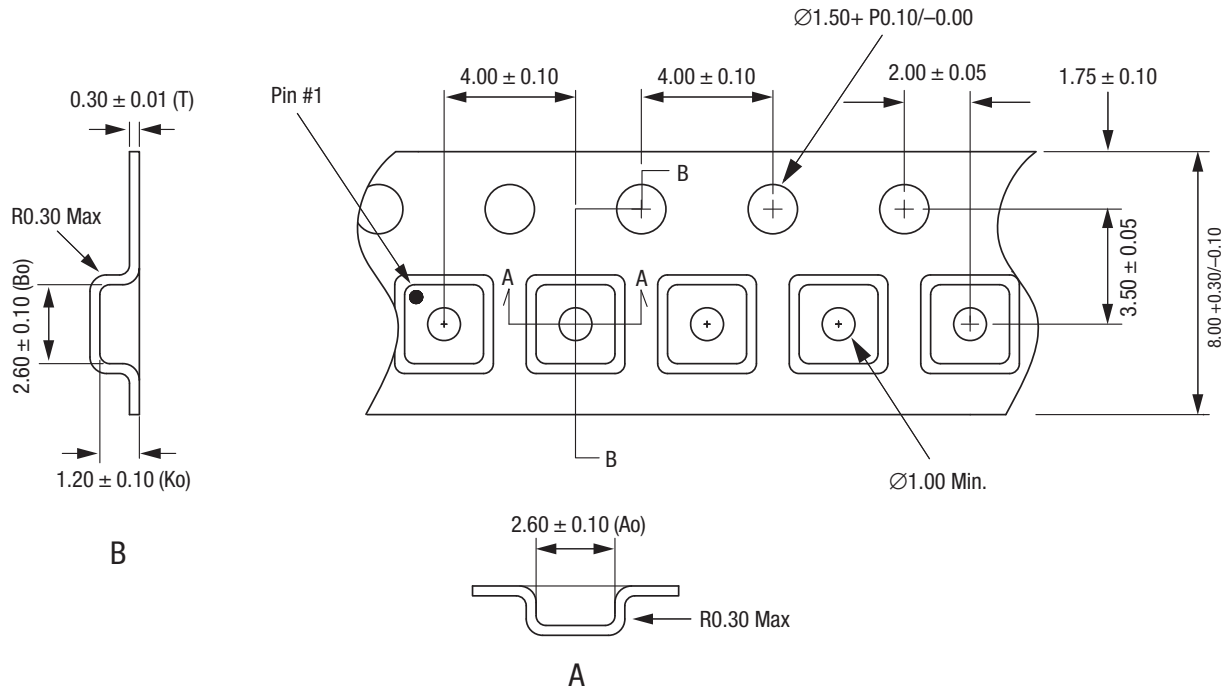
**Figure 11. Typical Case Markings (Top View)**



All measurements are in millimeters.  
 Dimensioning and tolerancing according to ASME Y14.5M-1994.  
 Coplanarity applies to the exposed heat sink slug as well as the terminals..  
 Plating requirement per source control drawing (SCD) 2504.  
 Dimension applies to metallized terminal and is measured between 0.15 mm and 0.30 mm from terminal tip.

S1415

**Figure 12. SKY13321-360LF 8-Pin QFN Package Dimensions**



- Notes:
1. Carrier tape: black conductive polystyrene.
  2. Cover tape material: transparent conductive HSA.
  3. Cover tape size: 5.40 mm width.
  4. All measurements are in millimeters.

S1480

Figure 13. SKY13321-360LF Tape and Reel Dimensions



**Ordering Information**

Model Name	Manufacturing Part Number	Evaluation Kit Part Number
SKY13321-360LF SPDT Switch	SKY13321-360LF	SK40709-1, Rev. 3

Copyright © 2009, 2010 Skyworks Solutions, Inc. All Rights Reserved.

Information in this document is provided in connection with Skyworks Solutions, Inc. ("Skyworks") products or services. These materials, including the information contained herein, are provided by Skyworks as a service to its customers and may be used for informational purposes only by the customer. Skyworks assumes no responsibility for errors or omissions in these materials or the information contained herein. Skyworks may change its documentation, products, services, specifications or product descriptions at any time, without notice. Skyworks makes no commitment to update the materials or information and shall have no responsibility whatsoever for conflicts, incompatibilities, or other difficulties arising from any future changes.

No license, whether express, implied, by estoppel or otherwise, is granted to any intellectual property rights by this document. Skyworks assumes no liability for any materials, products or information provided hereunder, including the sale, distribution, reproduction or use of Skyworks products, information or materials, except as may be provided in Skyworks Terms and Conditions of Sale.

THE MATERIALS, PRODUCTS AND INFORMATION ARE PROVIDED "AS IS" WITHOUT WARRANTY OF ANY KIND, WHETHER EXPRESS, IMPLIED, STATUTORY, OR OTHERWISE, INCLUDING FITNESS FOR A PARTICULAR PURPOSE OR USE, MERCHANTABILITY, PERFORMANCE, QUALITY OR NON-INFRINGEMENT OF ANY INTELLECTUAL PROPERTY RIGHT; ALL SUCH WARRANTIES ARE HEREBY EXPRESSLY DISCLAIMED. SKYWORKS DOES NOT WARRANT THE ACCURACY OR COMPLETENESS OF THE INFORMATION, TEXT, GRAPHICS OR OTHER ITEMS CONTAINED WITHIN THESE MATERIALS. SKYWORKS SHALL NOT BE LIABLE FOR ANY DAMAGES, INCLUDING BUT NOT LIMITED TO ANY SPECIAL, INDIRECT, INCIDENTAL, STATUTORY, OR CONSEQUENTIAL DAMAGES, INCLUDING WITHOUT LIMITATION, LOST REVENUES OR LOST PROFITS THAT MAY RESULT FROM THE USE OF THE MATERIALS OR INFORMATION, WHETHER OR NOT THE RECIPIENT OF MATERIALS HAS BEEN ADVISED OF THE POSSIBILITY OF SUCH DAMAGE.

Skyworks products are not intended for use in medical, lifesaving or life-sustaining applications, or other equipment in which the failure of the Skyworks products could lead to personal injury, death, physical or environmental damage. Skyworks customers using or selling Skyworks products for use in such applications do so at their own risk and agree to fully indemnify Skyworks for any damages resulting from such improper use or sale.

Customers are responsible for their products and applications using Skyworks products, which may deviate from published specifications as a result of design defects, errors, or operation of products outside of published parameters or design specifications. Customers should include design and operating safeguards to minimize these and other risks. Skyworks assumes no liability for applications assistance, customer product design, or damage to any equipment resulting from the use of Skyworks products outside of stated published specifications or parameters.

Skyworks, the Skyworks symbol, and "Breakthrough Simplicity" are trademarks or registered trademarks of Skyworks Solutions, Inc., in the United States and other countries. Third-party brands and names are for identification purposes only, and are the property of their respective owners. Additional information, including relevant terms and conditions, posted at [www.skyworksinc.com](http://www.skyworksinc.com), are incorporated by reference.

Компания «Океан Электроники» предлагает заключение долгосрочных отношений при поставках импортных электронных компонентов на взаимовыгодных условиях!

Наши преимущества:

- Поставка оригинальных импортных электронных компонентов напрямую с производств Америки, Европы и Азии, а так же с крупнейших складов мира;
- Широкая линейка поставок активных и пассивных импортных электронных компонентов (более 30 млн. наименований);
- Поставка сложных, дефицитных, либо снятых с производства позиций;
- Оперативные сроки поставки под заказ (от 5 рабочих дней);
- Экспресс доставка в любую точку России;
- Помощь Конструкторского Отдела и консультации квалифицированных инженеров;
- Техническая поддержка проекта, помощь в подборе аналогов, поставка прототипов;
- Поставка электронных компонентов под контролем ВП;
- Система менеджмента качества сертифицирована по Международному стандарту ISO 9001;
- При необходимости вся продукция военного и аэрокосмического назначения проходит испытания и сертификацию в лаборатории (по согласованию с заказчиком);
- Поставка специализированных компонентов военного и аэрокосмического уровня качества (Xilinx, Altera, Analog Devices, Intersil, Interpoint, Microsemi, Actel, Aeroflex, Peregrine, VPT, Syfer, Eurofarad, Texas Instruments, MS Kennedy, Miteq, Cobham, E2V, MA-COM, Hittite, Mini-Circuits, General Dynamics и др.);

Компания «Океан Электроники» является официальным дистрибьютором и эксклюзивным представителем в России одного из крупнейших производителей разъемов военного и аэрокосмического назначения «**JONHON**», а так же официальным дистрибьютором и эксклюзивным представителем в России производителя высокотехнологичных и надежных решений для передачи СВЧ сигналов «**FORSTAR**».



## JONHON

«**JONHON**» (основан в 1970 г.)

Разъемы специального, военного и аэрокосмического назначения:

(Применяются в военной, авиационной, аэрокосмической, морской, железнодорожной, горно- и нефтедобывающей отраслях промышленности)

«**FORSTAR**» (основан в 1998 г.)

ВЧ соединители, коаксиальные кабели,  
кабельные сборки и микроволновые компоненты:

(Применяются в телекоммуникациях гражданского и специального назначения, в средствах связи, РЛС, а так же военной, авиационной и аэрокосмической отраслях промышленности).



Телефон: 8 (812) 309-75-97 (многоканальный)

Факс: 8 (812) 320-03-32

Электронная почта: [ocean@oceanchips.ru](mailto:ocean@oceanchips.ru)

Web: <http://oceanchips.ru/>

Адрес: 198099, г. Санкт-Петербург, ул. Калинина, д. 2, корп. 4, лит. А