

## 64K SPI Bus Low-Power Serial SRAM

### Device Selection Table

| Part Number | Vcc Range | Page Size | Temp. Ranges | Packages  |
|-------------|-----------|-----------|--------------|-----------|
| 23K640      | 2.7-3.6V  | 32 Byte   | I, E         | P, SN, ST |
| 23A640      | 1.5-1.95V | 32 Byte   | I            | P, SN, ST |

### Features:

- Max. Clock 20 MHz
- Low-Power CMOS Technology:
  - Read Current: 3 mA at 1 MHz
  - Standby Current: 4  $\mu$ A Max. at +85°C
- 8192 x 8-bit Organization
- 32-Byte Page
- $\overline{\text{HOLD}}$  pin
- Flexible Operating modes:
  - Byte read and write
  - Page mode (32 Byte Page)
  - Sequential mode
- Sequential Read/Write
- High Reliability
- Temperature Ranges Supported:
  - Industrial (I): -40°C to +85°C
  - Automotive (E): -40°C to +125°C
- Pb-Free and RoHS Compliant, Halogen Free

### Pin Function Table

| Name                     | Function           |
|--------------------------|--------------------|
| $\overline{\text{CS}}$   | Chip Select Input  |
| SO                       | Serial Data Output |
| Vss                      | Ground             |
| SI                       | Serial Data Input  |
| SCK                      | Serial Clock Input |
| $\overline{\text{HOLD}}$ | Hold Input         |
| Vcc                      | Supply Voltage     |

### Description:

The Microchip Technology Inc. 23X640 are 64 Kbit Serial SRAM devices. The memory is accessed via a simple Serial Peripheral Interface (SPI) compatible serial bus. The bus signals required are a clock input (SCK) plus separate data in (SI) and data out (SO) lines. Access to the device is controlled through a Chip Select ( $\overline{\text{CS}}$ ) input.

Communication to the device can be paused via the hold pin ( $\overline{\text{HOLD}}$ ). While the device is paused, transitions on its inputs will be ignored, with the exception of Chip Select, allowing the host to service higher priority interrupts.

The 23X640 is available in standard packages including 8-lead PDIP and SOIC, and advanced packaging including 8-lead TSSOP.

### Package Types (not to scale)



# 23A640/23K640

## 1.0 ELECTRICAL CHARACTERISTICS

### Absolute Maximum Ratings (†)

|   |                                |
|---|--------------------------------|
| V <sub>CC</sub> .....                               | 4.5V                           |
| All inputs and outputs w.r.t. V <sub>SS</sub> ..... | -0.3V to V <sub>CC</sub> +0.3V |
| Storage temperature .....                           | -65°C to 150°C                 |
| Ambient temperature under bias .....                | -40°C to 125°C                 |
| ESD protection on all pins .....                    | 2kV                            |

† NOTICE: Stresses above those listed under “Absolute Maximum Ratings” may cause permanent damage to the device. This is a stress rating only and functional operation of the device at those or any other conditions above those indicated in the operational listings of this specification is not implied. Exposure to maximum rating conditions for an extended period of time may affect device reliability.

**TABLE 1-1: DC CHARACTERISTICS**

| DC CHARACTERISTICS |                      |   | Industrial (I): TA = -40°C to +85°C<br>Automotive (E): TA = -40°C to +125°C |                    |   |        |   |
|--------------------|----------------------|---|---|--------------------|---|--------|---|
| Param. No.         | Sym.                 | Characteristic                            | Min.  | Typ <sup>(1)</sup> | Max.  | Units  | Test Conditions   |
| D001               | V <sub>CC</sub>      | Supply voltage                            | 1.5   | —                  | 1.95  | V      | 23A640 (I-Temp)   |
| D001               | V <sub>CC</sub>      | Supply voltage                            | 2.7   | —                  | 3.6   | V      | 23K640 (I, E-Temp)  |
| D002               | V <sub>IH</sub>      | High-level input voltage                  | .7 V <sub>CC</sub>  | —                  | V <sub>CC</sub> +0.3                        | V      |   |
| D003               | V <sub>IL</sub>      | Low-level input voltage                   | -0.3  | —                  | 0.2xV <sub>CC</sub><br>0.15xV <sub>CC</sub> | V<br>V | 23K640 (E-Temp)   |
| D004               | V <sub>OL</sub>      | Low-level output voltage                  | —   | —                  | 0.2   | V      | I <sub>OL</sub> = 1 mA  |
| D005               | V <sub>OH</sub>      | High-level output voltage                 | V <sub>CC</sub> -0.5  | —                  | —   | V      | I <sub>OH</sub> = -400 μA   |
| D006               | I <sub>LI</sub>      | Input leakage current                     | —   | —                  | ±0.5  | μA     | $\overline{CS} = V_{CC}$ , V <sub>IN</sub> = V <sub>SS</sub> OR V <sub>CC</sub>             |
| D007               | I <sub>LO</sub>      | Output leakage current                    | —   | —                  | ±0.5  | μA     | $\overline{CS} = V_{CC}$ , V <sub>OUT</sub> = V <sub>SS</sub> OR V <sub>CC</sub>            |
| D008               | I <sub>CC Read</sub> | Operating current                         | —   | —                  | 3   | mA     | F <sub>CLK</sub> = 1 MHz; SO = 0  |
|                    |                      |   | —   | —                  | 6   | mA     | F <sub>CLK</sub> = 10 MHz; SO = 0   |
|                    |                      |   | —   | —                  | 10  | mA     | F <sub>CLK</sub> = 20 MHz; SO = 0   |
| D009               | I <sub>CCS</sub>     | Standby current                           | —   | 0.2                | 1   | μA     | $\overline{CS} = V_{CC} = 1.8V$ , Inputs tied to V <sub>CC</sub> or V <sub>SS</sub>         |
|                    |                      |   | —   | 1                  | 4   | μA     | $\overline{CS} = V_{CC} = 3.6V$ , Inputs tied to V <sub>CC</sub> or V <sub>SS</sub>         |
|                    |                      |   | —   | 5                  | 10  | μA     | $\overline{CS} = V_{CC} = 3.6V$ , Inputs tied to V <sub>CC</sub> or V <sub>SS</sub> @ 125°C |
| D010               | C <sub>INT</sub>     | Input capacitance                         |   |                    | 7   | pF     | V <sub>CC</sub> = 0V, f = 1 MHz, T <sub>a</sub> = 25°C<br><b>(Note 1)</b>                   |
| D011               | V <sub>DR</sub>      | RAM data retention voltage <sup>(2)</sup> | —   | 1.2                | —   | V      |   |

**Note 1:** This parameter is periodically sampled and not 100% tested. Typical measurements taken at room temperature (25°C).

**2:** This is the limit to which V<sub>DD</sub> can be lowered without losing RAM data. This parameter is periodically sampled and not 100% tested.

**TABLE 1-2: AC CHARACTERISTICS**

| AC CHARACTERISTICS |      |                             | Industrial (I): TA = -40°C to +85°C<br>Automotive (E): TA = -40°C to +125°C |      |       |                        |
|--------------------|------|-----------------------------|---|------|-------|------------------------|
| Param. No.         | Sym. | Characteristic              | Min.  | Max. | Units | Test Conditions        |
| 1                  | FCLK | Clock frequency             | —   | 10   | MHz   | VCC = 1.5V (I-Temp)    |
|                    |      |                             | —   | 16   | MHz   | VCC = 1.8V (I-Temp)    |
|                    |      |                             | —   | 16   | MHz   | VCC = 3V (E-Temp)      |
|                    |      |                             | —   | 20   | MHz   | VCC = 3.0V (I-Temp)    |
| 2                  | Tcss | CS setup time               | 50  | —    | ns    | VCC = 1.5V (I-Temp)    |
|                    |      |                             | 32  | —    | ns    | VCC = 1.8V (I-Temp)    |
|                    |      |                             | 32  | —    | ns    | VCC = 3.0V (E-Temp)    |
|                    |      |                             | 25  | —    | ns    | VCC = 3.0V (I-Temp)    |
| 3                  | Tcsh | CS hold time                | 50  | —    | ns    | VCC = 1.5V (I-Temp)    |
|                    |      |                             | 50  | —    | ns    | VCC = 1.8V (I-Temp)    |
|                    |      |                             | 50  | —    | ns    | VCC = 3.0V (E-Temp)    |
|                    |      |                             | 50  | —    | ns    | VCC = 3.0V (I-Temp)    |
| 4                  | TcSD | CS disable time             | 50  | —    | ns    | VCC = 1.5V (I-Temp)    |
|                    |      |                             | 32  | —    | ns    | VCC = 1.8V (I-Temp)    |
|                    |      |                             | 32  | —    | ns    | VCC = 3.0V (E-Temp)    |
|                    |      |                             | 25  | —    | ns    | VCC = 3.0V (I-Temp)    |
| 5                  | Tsu  | Data setup time             | 10  | —    | ns    | VCC = 1.5V (I-Temp)    |
|                    |      |                             | 10  | —    | ns    | VCC = 1.8V (I-Temp)    |
|                    |      |                             | 10  | —    | ns    | VCC = 3.0V (E-Temp)    |
|                    |      |                             | 10  | —    | ns    | VCC = 3.0V (I-Temp)    |
| 6                  | THD  | Data hold time              | 10  | —    | ns    | VCC = 1.5V (I-Temp)    |
|                    |      |                             | 10  | —    | ns    | VCC = 1.8V (I-Temp)    |
|                    |      |                             | 10  | —    | ns    | VCC = 3.0V (E-Temp)    |
|                    |      |                             | 10  | —    | ns    | VCC = 3.0V (I-Temp)    |
| 7                  | TR   | CLK rise time               | —   | 2    | us    | <a href="#">Note 1</a> |
| 8                  | TF   | CLK fall time               | —   | 2    | us    | <a href="#">Note 1</a> |
| 9                  | THI  | Clock high time             | 50  | —    | ns    | VCC = 1.5V (I-Temp)    |
|                    |      |                             | 32  | —    | ns    | VCC = 1.8V (I-Temp)    |
|                    |      |                             | 32  | —    | ns    | VCC = 3.0V (E-Temp)    |
|                    |      |                             | 25  | —    | ns    | VCC = 3.0V (I-Temp)    |
| 10                 | TLO  | Clock low time              | 50  | —    | ns    | VCC = 1.5V (I-Temp)    |
|                    |      |                             | 32  | —    | ns    | VCC = 1.8V (I-Temp)    |
|                    |      |                             | 32  | —    | ns    | VCC = 3.0V (E-Temp)    |
|                    |      |                             | 25  | —    | ns    | VCC = 3.0V (I-Temp)    |
| 11                 | TCLD | Clock delay time            | 50  | —    | ns    | VCC = 1.5V (I-Temp)    |
|                    |      |                             | 32  | —    | ns    | VCC = 1.8V (I-Temp)    |
|                    |      |                             | 32  | —    | ns    | VCC = 3.0V (E-Temp)    |
|                    |      |                             | 25  | —    | ns    | VCC = 3.0V (I-Temp)    |
| 12                 | TV   | Output valid from clock low | —   | 50   | ns    | VCC = 1.5V (I-Temp)    |
|                    |      |                             | —   | 32   | ns    | VCC = 1.8V (I-Temp)    |
|                    |      |                             | —   | 32   | ns    | VCC = 3.0V (E-Temp)    |
|                    |      |                             | —   | 25   | ns    | VCC = 3.0V (I-Temp)    |
| 13                 | THO  | Output hold time            | 0   | —    | ns    | <a href="#">Note 1</a> |

**Note 1:** This parameter is periodically sampled and not 100% tested.

# 23A640/23K640

**TABLE 1-2: AC CHARACTERISTICS (CONTINUED)**

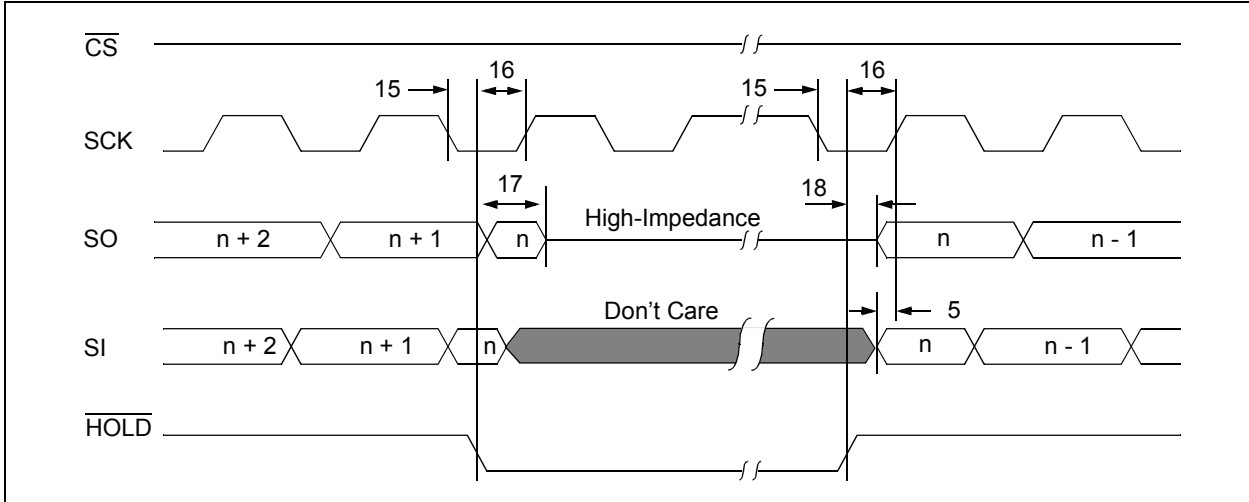
| AC CHARACTERISTICS |      |   | Industrial (I): TA = -40°C to +85°C<br>Automotive (E): TA = -40°C to +125°C |      |       |                     |
|--------------------|------|---|---|------|-------|---------------------|
| Param. No.         | Sym. | Characteristic                                | Min.  | Max. | Units | Test Conditions     |
| 14                 | TDIS | Output disable time                           | —   | 20   | ns    | VCC = 1.5V (I-Temp) |
|                    |      |   | —   | 20   | ns    | VCC = 1.8V (I-Temp) |
|                    |      |   | —   | 20   | ns    | VCC = 3.0V (E-Temp) |
|                    |      |   | —   | 20   | ns    | VCC = 3.0V (I-Temp) |
| 15                 | THS  | $\overline{\text{HOLD}}$ setup time           | 10  | —    | ns    | —                   |
| 16                 | THH  | $\overline{\text{HOLD}}$ hold time            | 10  | —    | ns    | —                   |
| 17                 | THZ  | $\overline{\text{HOLD}}$ low to output High-Z | 10  | —    | ns    | —                   |
| 18                 | THV  | $\overline{\text{HOLD}}$ high to output valid | —   | 50   | ns    | —                   |

**Note 1:** This parameter is periodically sampled and not 100% tested.

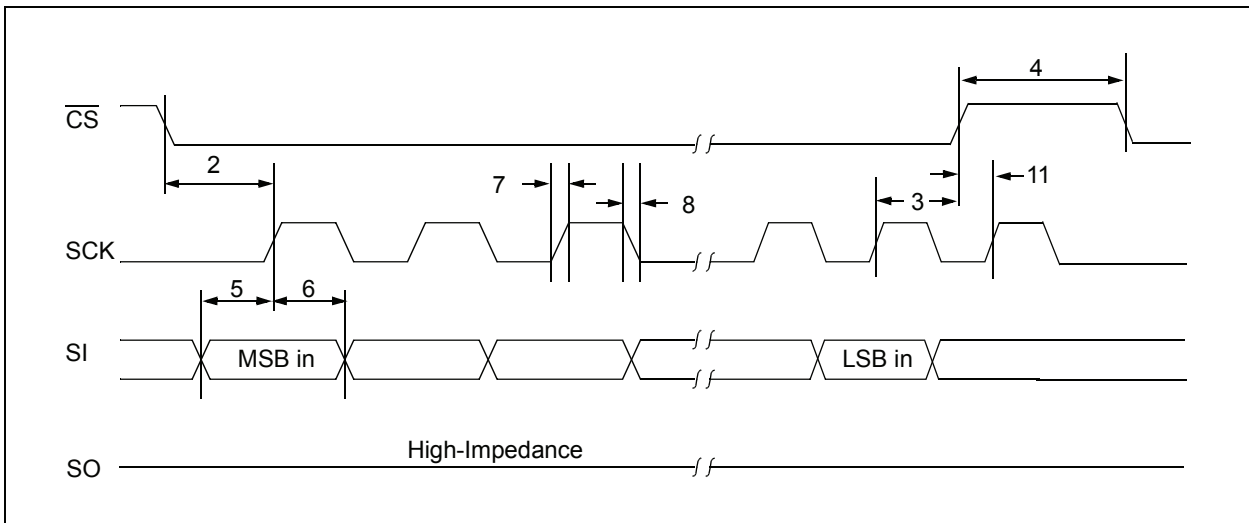
**TABLE 1-3: AC TEST CONDITIONS**

| AC Waveform:                        |                    |
|-------------------------------------|--------------------|
| Input pulse level                   | 0.1 VCC to 0.9 VCC |
| Input rise/fall time                | 5 ns               |
| Operating temperature               | -40°C to +125°C    |
| CL = 100 pF                         | —                  |
| Timing Measurement Reference Level: |                    |
| Input                               | 0.5 VCC            |
| Output                              | 0.5 VCC            |

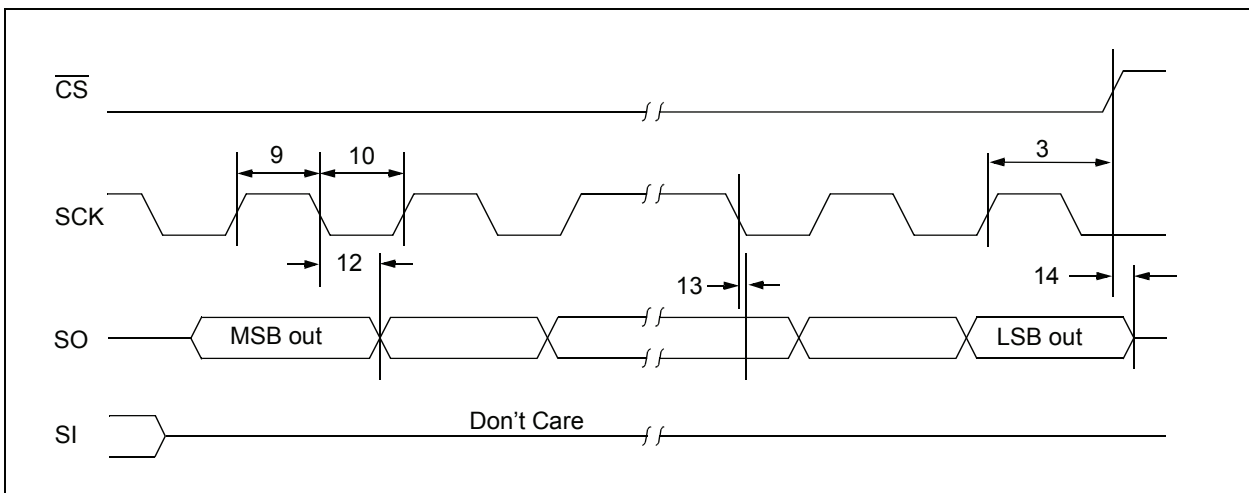
**FIGURE 1-1: HOLD TIMING**



**FIGURE 1-2: SERIAL INPUT TIMING**



**FIGURE 1-3: SERIAL OUTPUT TIMING**



# 23A640/23K640

## 2.0 FUNCTIONAL DESCRIPTION

### 2.1 Principles of Operation

The 23X640 is a 8192-byte Serial SRAM designed to interface directly with the Serial Peripheral Interface (SPI) port of many of today's popular microcontroller families, including Microchip's PIC® microcontrollers. It may also interface with microcontrollers that do not have a built-in SPI port by using discrete I/O lines programmed properly in firmware to match the SPI protocol.

The 23X640 contains an 8-bit instruction register. The device is accessed via the SI pin, with data being clocked in on the rising edge of SCK. The  $\overline{CS}$  pin must be low and the HOLD pin must be high for the entire operation.

Table 2-1 contains a list of the possible instruction bytes and format for device operation. All instructions, addresses and data are transferred MSB first, LSB last.

Data (SI) is sampled on the first rising edge of SCK after  $\overline{CS}$  goes low. If the clock line is shared with other peripheral devices on the SPI bus, the user can assert the HOLD input and place the 23X640 in 'HOLD' mode. After releasing the HOLD pin, operation will resume from the point when the HOLD was asserted.

### 2.2 Modes of Operation

The 23A256/23K256 has three modes of operation that are selected by setting bits 7 and 6 in the STATUS register. The modes of operation are Byte, Page and Burst.

**Byte Operation** – is selected when bits 7 and 6 in the STATUS register are set to 00. In this mode, the read/write operations are limited to only one byte. The Command followed by the 16-bit address is clocked into the device and the data to/from the device is transferred on the next 8 clocks (Figure 2-1, Figure 2-2).

**Page Operation** – is selected when bits 7 and 6 in the STATUS register are set to 10. The 23A640/23K640 has 1024 pages of 32 Bytes. In this mode, the read and write operations are limited to within the addressed page (the address is automatically incremented internally). If the data being read or written reaches the page boundary, then the internal address counter will increment to the start of the page (Figure 2-3, Figure 2-4).

**Sequential Operation** – is selected when bits 7 and 6 in the STATUS register are set to 01. Sequential operation allows the entire array to be written to and read from. The internal address counter is automatically incremented and page boundaries are ignored. When the internal address counter reaches the end of the array, the address counter will roll over to 0x0000 (Figure 2-5, Figure 2-6).

### 2.3 Read Sequence

The device is selected by pulling  $\overline{CS}$  low. The 8-bit READ instruction is transmitted to the 23X640 followed by the 16-bit address, with the first MSB of the address being a "don't care" bit. After the correct READ instruction and address are sent, the data stored in the memory at the selected address is shifted out on the SO pin.

If operating in Page mode, after the first byte of data is shifted out, the next memory location on the page can be read out by continuing to provide clock pulses. This allows for 32 consecutive address reads. After the 32nd address read the internal address counter wraps back to the byte 0 address in that page.

If operating in Sequential mode, the data stored in the memory at the next address can be read sequentially by continuing to provide clock pulses. The internal Address Pointer is automatically incremented to the next higher address after each byte of data is shifted out. When the highest address is reached (1FFFh), the address counter rolls over to address 0000h, allowing the read cycle to be continued indefinitely. The read operation is terminated by raising the  $\overline{CS}$  pin (Figure 2-1).

### 2.4 Write Sequence

Prior to any attempt to write data to the 23X640, the device must be selected by bringing  $\overline{CS}$  low.

Once the device is selected, the Write command can be started by issuing a WRITE instruction, followed by the 16-bit address, with the first three MSBs of the address being a "don't care" bit, and then the data to be written. A write is terminated by the  $\overline{CS}$  being brought high.

If operating in Page mode, after the initial data byte is shifted in, additional bytes can be shifted into the device. The Address Pointer is automatically incremented. This operation can continue for the entire page (32 Bytes) before data will start to be overwritten.

If operating in Sequential mode, after the initial data byte is shifted in, additional bytes can be clocked into the device. The internal Address Pointer is automatically incremented. When the Address Pointer reaches the highest address (1FFFh), the address counter rolls over to (0000h). This allows the operation to continue indefinitely, however, previous data will be overwritten.

**TABLE 2-1: INSTRUCTION SET**

| Instruction Name | Instruction Format | Description   |
|------------------|--------------------|---|
| READ             | 0000 0011          | Read data from memory array beginning at selected address |
| WRITE            | 0000 0010          | Write data to memory array beginning at selected address  |
| RDSR             | 0000 0101          | Read STATUS register                                      |
| WRSR             | 0000 0001          | Write STATUS register                                     |

**FIGURE 2-1: BYTE READ SEQUENCE**

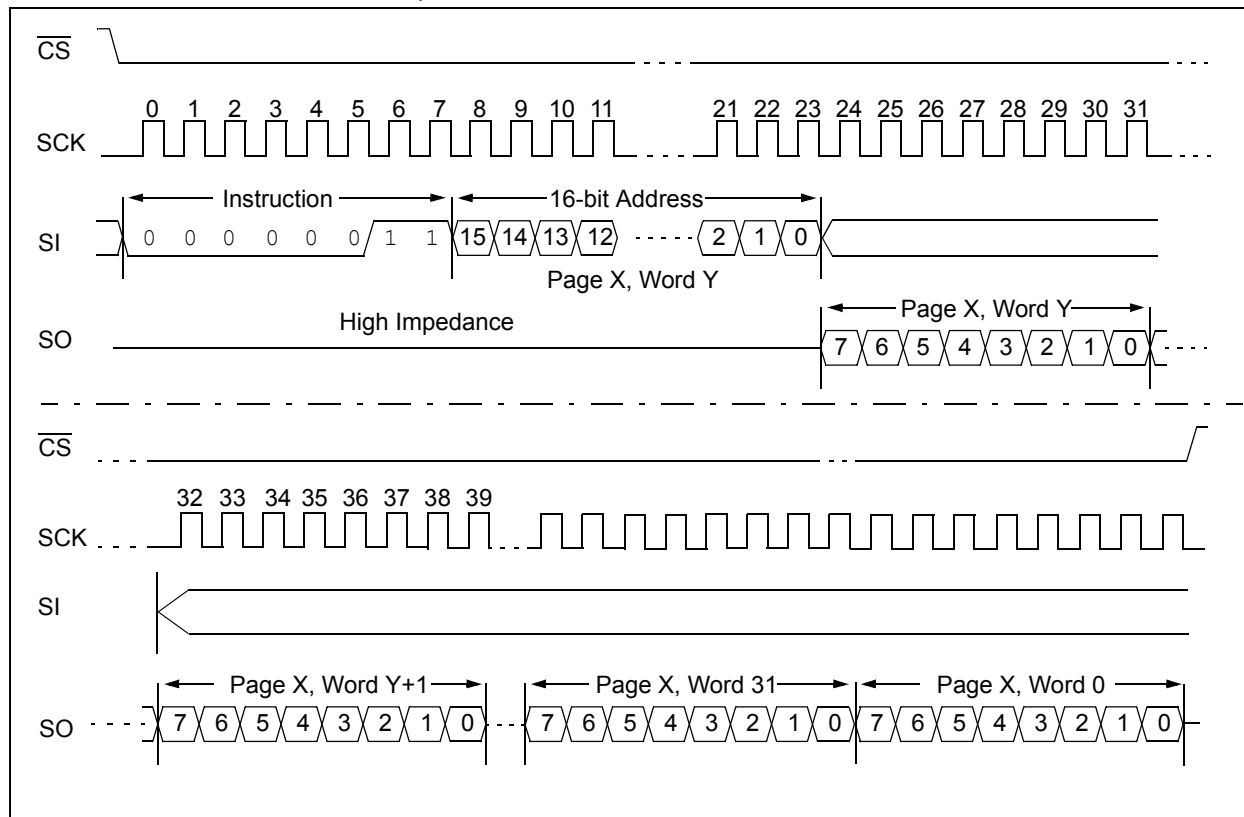


**FIGURE 2-2: BYTE WRITE SEQUENCE**

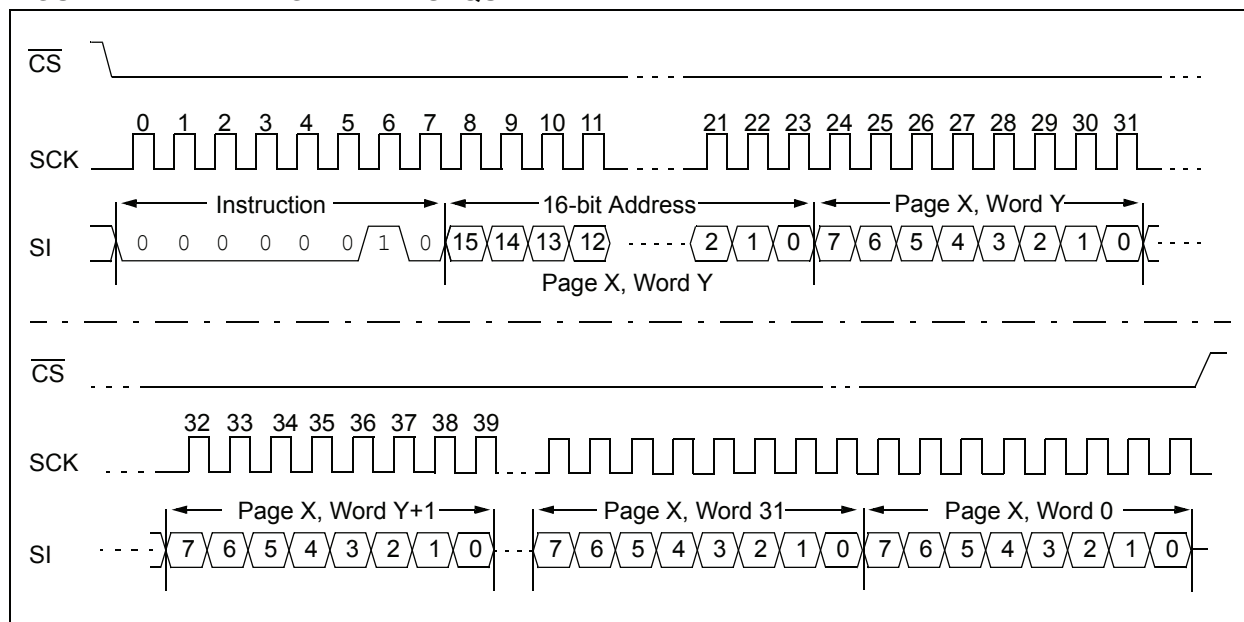


# 23A640/23K640

**FIGURE 2-3: PAGE READ SEQUENCE**



**FIGURE 2-4: PAGE WRITE SEQUENCE**





**FIGURE 2-5: SEQUENTIAL READ SEQUENCE**



# 23A640/23K640

FIGURE 2-6: SEQUENTIAL WRITE SEQUENCE



## 2.5 Read Status Register Instruction (RDSR)

The Read Status Register instruction (RDSR) provides access to the STATUS register. The STATUS register may be read at any time. The STATUS register is formatted as follows:

**TABLE 2-2: STATUS REGISTER**

|      |      |   |   |   |   |   |      |
|------|------|---|---|---|---|---|------|
| 7    | 6    | 5 | 4 | 3 | 2 | 1 | 0    |
| W/R  | W/R  | - | - | - | - | - | W/R  |
| MODE | MODE | 0 | 0 | 0 | 0 | 1 | HOLD |

W/R = writable/readable.

The mode bits indicate the operating mode of the SRAM. The possible modes of operation are:

- 0 0 = Byte mode (default operation)
- 1 0 = Page mode
- 0 1 = Sequential mode
- 1 1 = Reserved

Write and read commands are shown in [Figure 2-7](#) and [Figure 2-8](#).

The HOLD bit enables the Hold pin functionality. It must be set to a '0' before HOLD pin is brought low for HOLD function to work properly. Setting HOLD to '1' disables feature.

Bits 2 through 5 are reserved and should always be set to '0'. Bit 1 will read back as '1' but should always be written as '0'.

See [Figure 2-7](#) for the RDSR timing sequence.

**FIGURE 2-7: READ STATUS REGISTER TIMING SEQUENCE (RDSR)**



# 23A640/23K640

## 2.6 Write Status Register Instruction (WRSR)

The Write Status Register instruction (WRSR) allows the user to write to the bits in the STATUS register as shown in Table 2-2. This allows for setting of the Device operating mode. Several of the bits in the STATUS register must be cleared to '0'. See Figure 2-8 for the WRSR timing sequence.

**FIGURE 2-8: WRITE STATUS REGISTER TIMING SEQUENCE (WRSR)**



## 2.7 Power-On State

The 23X640 powers on in the following state:

- The device is in low-power Standby mode ( $\overline{CS} = 1$ )
- A high-to-low-level transition on  $\overline{CS}$  is required to enter active state

## 3.0 PIN DESCRIPTIONS

The descriptions of the pins are listed in [Table 3-1](#).

**TABLE 3-1: PIN FUNCTION TABLE**

| Name                     | PDIP/SOIC<br>TSSOP | Function           |
|--------------------------|--------------------|--------------------|
| $\overline{\text{CS}}$   | 1                  | Chip Select Input  |
| SO                       | 2                  | Serial Data Output |
| Vss                      | 4                  | Ground             |
| SI                       | 5                  | Serial Data Input  |
| SCK                      | 6                  | Serial Clock Input |
| $\overline{\text{HOLD}}$ | 7                  | Hold Input         |
| Vcc                      | 8                  | Supply Voltage     |

### 3.1 Chip Select ( $\overline{\text{CS}}$ )

A low level on this pin selects the device. A high level deselects the device and forces it into Standby mode. When the device is deselected, SO goes to the high-impedance state, allowing multiple parts to share the same SPI bus. After power-up, a low level on  $\overline{\text{CS}}$  is required, prior to any sequence being initiated.

### 3.2 Serial Output (SO)

The SO pin is used to transfer data out of the 23X640. During a read cycle, data is shifted out on this pin after the falling edge of the serial clock.

### 3.3 Serial Input (SI)

The SI pin is used to transfer data into the device. It receives instructions, addresses and data. Data is latched on the rising edge of the serial clock.

### 3.4 Serial Clock (SCK)

The SCK is used to synchronize the communication between a master and the 23X640. Instructions, addresses or data present on the SI pin are latched on the rising edge of the clock input, while data on the SO pin is updated after the falling edge of the clock input.

### 3.5 Hold ( $\overline{\text{HOLD}}$ )

The  $\overline{\text{HOLD}}$  pin is used to suspend transmission to the 23X640 while in the middle of a serial sequence without having to retransmit the entire sequence again. It must be held high any time this function is not being used. Once the device is selected and a serial sequence is underway, the  $\overline{\text{HOLD}}$  pin may be pulled low to pause further serial communication without resetting the serial sequence. The  $\overline{\text{HOLD}}$  pin must be brought low while SCK is low, otherwise the HOLD function will not be invoked until the next SCK high-to-low transition. The 23X640 must remain selected during this sequence. The SI, SCK and SO pins are in a high-impedance state during the time the device is paused and transitions on these pins will be ignored. To resume serial communication,  $\overline{\text{HOLD}}$  must be brought high while the SCK pin is low, otherwise serial communication will not resume. Lowering the HOLD line at any time will tri-state the SO line.

Hold functionality is disabled by the STATUS register bit.

# 23A640/23K640

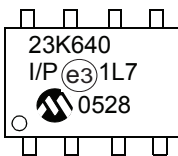
## 4.0 PACKAGING INFORMATION

### 4.1 Package Marking Information

8-Lead PDIP



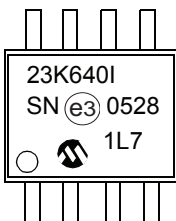
Example:



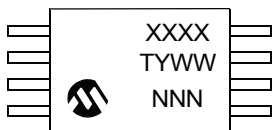
8-Lead SOIC (3.90 mm)



Example:



8-Lead TSSOP



Example:



|                |        |  |
|----------------|--------|--|
| <b>Legend:</b> | XX...X | Part number or part number code                                  |
|                | T      | Temperature (I, E)   |
|                | Y      | Year code (last digit of calendar year)                          |
|                | YY     | Year code (last 2 digits of calendar year)                       |
|                | WW     | Week code (week of January 1 is week '01')                       |
|                | NNN    | Alphanumeric traceability code (2 characters for small packages) |
|                | (e3)   | Pb-free JEDEC designator for Matte Tin (Sn)                      |

**Note:** For very small packages with no room for the Pb-free JEDEC designator (e3), the marking will only appear on the outer carton or reel label.

**Note:** In the event the full Microchip part number cannot be marked on one line, it will be carried over to the next line, thus limiting the number of available characters for customer-specific information.

## 8-Lead Plastic Dual In-Line (P) – 300 mil Body [PDIP]

**Note:** For the most current package drawings, please see the Microchip Packaging Specification located at <http://www.microchip.com/packaging>



| Dimension Limits           | Units | INCHES   |      |      |
|----------------------------|-------|----------|------|------|
|                            |       | MIN      | NOM  | MAX  |
| Number of Pins             | N     | 8        |      |      |
| Pitch                      | e     | .100 BSC |      |      |
| Top to Seating Plane       | A     | –        | –    | .210 |
| Molded Package Thickness   | A2    | .115     | .130 | .195 |
| Base to Seating Plane      | A1    | .015     | –    | –    |
| Shoulder to Shoulder Width | E     | .290     | .310 | .325 |
| Molded Package Width       | E1    | .240     | .250 | .280 |
| Overall Length             | D     | .348     | .365 | .400 |
| Tip to Seating Plane       | L     | .115     | .130 | .150 |
| Lead Thickness             | c     | .008     | .010 | .015 |
| Upper Lead Width           | b1    | .040     | .060 | .070 |
| Lower Lead Width           | b     | .014     | .018 | .022 |
| Overall Row Spacing §      | eB    | –        | –    | .430 |

**Notes:**

1. Pin 1 visual index feature may vary, but must be located with the hatched area.
2. § Significant Characteristic.
3. Dimensions D and E1 do not include mold flash or protrusions. Mold flash or protrusions shall not exceed .010" per side.
4. Dimensioning and tolerancing per ASME Y14.5M.

BSC: Basic Dimension. Theoretically exact value shown without tolerances.

Microchip Technology Drawing C04-018B

# 23A640/23K640

## 8-Lead Plastic Small Outline (SN) - Narrow, 3.90 mm Body [SOIC]

**Note:** For the most current package drawings, please see the Microchip Packaging Specification located at <http://www.microchip.com/packaging>



Microchip Technology Drawing No. C04-057C Sheet 1 of 2



## 8-Lead Plastic Small Outline (SN) - Narrow, 3.90 mm Body [SOIC]

**Note:** For the most current package drawings, please see the Microchip Packaging Specification located at <http://www.microchip.com/packaging>



| Dimension Limits         | Units | MILLIMETERS |     |      |
|--------------------------|-------|-------------|-----|------|
|                          |       | MIN         | NOM | MAX  |
| Number of Pins           | N     | 8           |     |      |
| Pitch                    | e     | 1.27 BSC    |     |      |
| Overall Height           | A     | -           | -   | 1.75 |
| Molded Package Thickness | A2    | 1.25        | -   | -    |
| Standoff §               | A1    | 0.10        | -   | 0.25 |
| Overall Width            | E     | 6.00 BSC    |     |      |
| Molded Package Width     | E1    | 3.90 BSC    |     |      |
| Overall Length           | D     | 4.90 BSC    |     |      |
| Chamfer (Optional)       | h     | 0.25        | -   | 0.50 |
| Foot Length              | L     | 0.40        | -   | 1.27 |
| Footprint                | L1    | 1.04 REF    |     |      |
| Foot Angle               | φ     | 0°          | -   | 8°   |
| Lead Thickness           | c     | 0.17        | -   | 0.25 |
| Lead Width               | b     | 0.31        | -   | 0.51 |
| Mold Draft Angle Top     | α     | 5°          | -   | 15°  |
| Mold Draft Angle Bottom  | β     | 5°          | -   | 15°  |

**Notes:**

1. Pin 1 visual index feature may vary, but must be located within the hatched area.
2. § Significant Characteristic
3. Dimensions D and E1 do not include mold flash or protrusions. Mold flash or protrusions shall not exceed 0.15mm per side.
4. Dimensioning and tolerancing per ASME Y14.5M
  - BSC: Basic Dimension. Theoretically exact value shown without tolerances.
  - REF: Reference Dimension, usually without tolerance, for information purposes only.

Microchip Technology Drawing No. C04-057C Sheet 2 of 2

# 23A640/23K640

## 8-Lead Plastic Small Outline (SN) – Narrow, 3.90 mm Body [SOIC]

**Note:** For the most current package drawings, please see the Microchip Packaging Specification located at <http://www.microchip.com/packaging>



RECOMMENDED LAND PATTERN

| Dimension Limits        | Units | MILLIMETERS |          |      |
|-------------------------|-------|-------------|----------|------|
|                         |       | MIN         | NOM      | MAX  |
| Contact Pitch           | E     |             | 1.27 BSC |      |
| Contact Pad Spacing     | C     |             | 5.40     |      |
| Contact Pad Width (X8)  | X1    |             |          | 0.60 |
| Contact Pad Length (X8) | Y1    |             |          | 1.55 |

Notes:

1. Dimensioning and tolerancing per ASME Y14.5M

BSC: Basic Dimension. Theoretically exact value shown without tolerances.

Microchip Technology Drawing No. C04-2057A

## 8-Lead Plastic Thin Shrink Small Outline (ST) – 4.4 mm Body [TSSOP]

**Note:** For the most current package drawings, please see the Microchip Packaging Specification located at <http://www.microchip.com/packaging>



| Dimension Limits         | Units  | MILLIMETERS |      |      |
|--------------------------|--------|-------------|------|------|
|                          |        | MIN         | NOM  | MAX  |
| Number of Pins           | N      | 8           |      |      |
| Pitch                    | e      | 0.65 BSC    |      |      |
| Overall Height           | A      | –           | –    | 1.20 |
| Molded Package Thickness | A2     | 0.80        | 1.00 | 1.05 |
| Standoff                 | A1     | 0.05        | –    | 0.15 |
| Overall Width            | E      | 6.40 BSC    |      |      |
| Molded Package Width     | E1     | 4.30        | 4.40 | 4.50 |
| Molded Package Length    | D      | 2.90        | 3.00 | 3.10 |
| Foot Length              | L      | 0.45        | 0.60 | 0.75 |
| Footprint                | L1     | 1.00 REF    |      |      |
| Foot Angle               | $\phi$ | 0°          | –    | 8°   |
| Lead Thickness           | c      | 0.09        | –    | 0.20 |
| Lead Width               | b      | 0.19        | –    | 0.30 |

**Notes:**

- Pin 1 visual index feature may vary, but must be located within the hatched area.
- Dimensions D and E1 do not include mold flash or protrusions. Mold flash or protrusions shall not exceed 0.15 mm per side.
- Dimensioning and tolerancing per ASME Y14.5M.

BSC: Basic Dimension. Theoretically exact value shown without tolerances.

REF: Reference Dimension, usually without tolerance, for information purposes only.

Microchip Technology Drawing C04-086B

# 23A640/23K640

8-Lead Plastic Thin Shrink Small Outline (ST) - 4.4 mm Body [TSSOP]

**Note:** For the most current package drawings, please see the Microchip Packaging Specification located at <http://www.microchip.com/packaging>



## RECOMMENDED LAND PATTERN

| Dimension Limits        | Units | MILLIMETERS |      |      |
|-------------------------|-------|-------------|------|------|
|                         |       | MIN         | NOM  | MAX  |
| Contact Pitch           | E     | 0.65 BSC    |      |      |
| Contact Pad Spacing     | C1    |             | 5.90 |      |
| Contact Pad Width (X8)  | X1    |             |      | 0.45 |
| Contact Pad Length (X8) | Y1    |             |      | 1.45 |
| Distance Between Pads   | G     | 0.20        |      |      |

**Notes:**

1. Dimensioning and tolerancing per ASME Y14.5M

BSC: Basic Dimension, Theoretically exact value shown without tolerances.

Microchip Technology Drawing No. C04-2086A

## **APPENDIX A: REVISION HISTORY**

### **Revision A (12/2008)**

Original Release.

### **Revision B (01/2009)**

Revised Section 2.5: Added a paragraph.

### **Revision C (04/2009)**

Removed Preliminary status; Revised Standby Current; Revised Table 1-1, Param. No. D009; Revised TSSOP Package marking information; Revised Product ID.

### **Revision D (08/2010)**

Revised Table 1-1, Param. No. D009; Revised Package Drawings.

### **Revision E (10/2010)**

Revised Parameter D003 in Table 1-1: DC Characteristics.

# 23A640/23K640

---

NOTES:

## THE MICROCHIP WEB SITE

Microchip provides online support via our WWW site at [www.microchip.com](http://www.microchip.com). This web site is used as a means to make files and information easily available to customers. Accessible by using your favorite Internet browser, the web site contains the following information:

- **Product Support** – Data sheets and errata, application notes and sample programs, design resources, user's guides and hardware support documents, latest software releases and archived software
- **General Technical Support** – Frequently Asked Questions (FAQ), technical support requests, online discussion groups, Microchip consultant program member listing
- **Business of Microchip** – Product selector and ordering guides, latest Microchip press releases, listing of seminars and events, listings of Microchip sales offices, distributors and factory representatives

## CUSTOMER CHANGE NOTIFICATION SERVICE

Microchip's customer notification service helps keep customers current on Microchip products. Subscribers will receive e-mail notification whenever there are changes, updates, revisions or errata related to a specified product family or development tool of interest.

To register, access the Microchip web site at [www.microchip.com](http://www.microchip.com). Under "Support", click on "Customer Change Notification" and follow the registration instructions.

## CUSTOMER SUPPORT

Users of Microchip products can receive assistance through several channels:

- Distributor or Representative
- Local Sales Office
- Field Application Engineer (FAE)
- Technical Support
- Development Systems Information Line

Customers should contact their distributor, representative or field application engineer (FAE) for support. Local sales offices are also available to help customers. A listing of sales offices and locations is included in the back of this document.

**Technical support is available through the web site at: <http://microchip.com/support>**

# 23A640/23K640

---

---

## READER RESPONSE

It is our intention to provide you with the best documentation possible to ensure successful use of your Microchip product. If you wish to provide your comments on organization, clarity, subject matter, and ways in which our documentation can better serve you, please FAX your comments to the Technical Publications Manager at (480) 792-4150.

Please list the following information, and use this outline to provide us with your comments about this document.

TO: Technical Publications Manager Total Pages Sent \_\_\_\_\_

RE: Reader Response

From: Name \_\_\_\_\_

Company \_\_\_\_\_

Address \_\_\_\_\_

City / State / ZIP / Country \_\_\_\_\_

Telephone: (\_\_\_\_\_) \_\_\_\_\_ - \_\_\_\_\_ FAX: (\_\_\_\_\_) \_\_\_\_\_ - \_\_\_\_\_

Application (optional):

Would you like a reply?  Y  N

Device: 23A640/23K640

Literature Number: DS22126E

Questions:

1. What are the best features of this document?

\_\_\_\_\_  
\_\_\_\_\_

2. How does this document meet your hardware and software development needs?

\_\_\_\_\_  
\_\_\_\_\_

3. Do you find the organization of this document easy to follow? If not, why?

\_\_\_\_\_  
\_\_\_\_\_

4. What additions to the document do you think would enhance the structure and subject?

\_\_\_\_\_  
\_\_\_\_\_

5. What deletions from the document could be made without affecting the overall usefulness?

\_\_\_\_\_  
\_\_\_\_\_

6. Is there any incorrect or misleading information (what and where)?

\_\_\_\_\_  
\_\_\_\_\_

7. How would you improve this document?

\_\_\_\_\_  
\_\_\_\_\_



## PRODUCT IDENTIFICATION SYSTEM

To order or obtain information, e.g., on pricing or delivery, refer to the factory or the listed sales office.

| <u>PART NO.</u>  | <u>X</u>    | -                                   | <u>X</u>   | <u>/XX</u> |                |          |                                |  |          |                                |                         |         |                           |  |     |             |                           |     |                |  |     |                 |                 |     |                                     |  |      |                                     |  |      |               |
|--|-------------|-------------------------------------|------------|------------|----------------|----------|--------------------------------|--|----------|--------------------------------|-------------------------|---------|---------------------------|--|-----|-------------|---------------------------|-----|----------------|--|-----|-----------------|-----------------|-----|-------------------------------------|--|------|-------------------------------------|--|------|---------------|
| Device   | Tape & Reel |                                     | Temp Range | Package    |                |          |                                |  |          |                                |                         |         |                           |  |     |             |                           |     |                |  |     |                 |                 |     |                                     |  |      |                                     |  |      |               |
| <table border="1" style="width: 100%; border-collapse: collapse;"> <tr> <td style="width: 15%;"><b>Device:</b></td> <td>23A640 =</td> <td>64 Kbit, 1.8V, SPI Serial SRAM</td> </tr> <tr> <td></td> <td>23K640 =</td> <td>64 Kbit, 3.6V, SPI Serial SRAM</td> </tr> <tr> <td><b>Tape &amp; Reel:</b></td> <td>Blank =</td> <td>Standard packaging (tube)</td> </tr> <tr> <td></td> <td>T =</td> <td>Tape &amp; Reel</td> </tr> <tr> <td><b>Temperature Range:</b></td> <td>I =</td> <td>-40°C to +85°C</td> </tr> <tr> <td></td> <td>E =</td> <td>-40°C to +125°C</td> </tr> <tr> <td><b>Package:</b></td> <td>P =</td> <td>Plastic PDIP (300 mil body), 8-lead</td> </tr> <tr> <td></td> <td>SN =</td> <td>Plastic SOIC (3.90 mm body), 8-lead</td> </tr> <tr> <td></td> <td>ST =</td> <td>TSSOP, 8-lead</td> </tr> </table> |             |                                     |            |            | <b>Device:</b> | 23A640 = | 64 Kbit, 1.8V, SPI Serial SRAM |  | 23K640 = | 64 Kbit, 3.6V, SPI Serial SRAM | <b>Tape &amp; Reel:</b> | Blank = | Standard packaging (tube) |  | T = | Tape & Reel | <b>Temperature Range:</b> | I = | -40°C to +85°C |  | E = | -40°C to +125°C | <b>Package:</b> | P = | Plastic PDIP (300 mil body), 8-lead |  | SN = | Plastic SOIC (3.90 mm body), 8-lead |  | ST = | TSSOP, 8-lead |
| <b>Device:</b>   | 23A640 =    | 64 Kbit, 1.8V, SPI Serial SRAM      |            |            |                |          |                                |  |          |                                |                         |         |                           |  |     |             |                           |     |                |  |     |                 |                 |     |                                     |  |      |                                     |  |      |               |
|  | 23K640 =    | 64 Kbit, 3.6V, SPI Serial SRAM      |            |            |                |          |                                |  |          |                                |                         |         |                           |  |     |             |                           |     |                |  |     |                 |                 |     |                                     |  |      |                                     |  |      |               |
| <b>Tape &amp; Reel:</b>  | Blank =     | Standard packaging (tube)           |            |            |                |          |                                |  |          |                                |                         |         |                           |  |     |             |                           |     |                |  |     |                 |                 |     |                                     |  |      |                                     |  |      |               |
|  | T =         | Tape & Reel                         |            |            |                |          |                                |  |          |                                |                         |         |                           |  |     |             |                           |     |                |  |     |                 |                 |     |                                     |  |      |                                     |  |      |               |
| <b>Temperature Range:</b>  | I =         | -40°C to +85°C                      |            |            |                |          |                                |  |          |                                |                         |         |                           |  |     |             |                           |     |                |  |     |                 |                 |     |                                     |  |      |                                     |  |      |               |
|  | E =         | -40°C to +125°C                     |            |            |                |          |                                |  |          |                                |                         |         |                           |  |     |             |                           |     |                |  |     |                 |                 |     |                                     |  |      |                                     |  |      |               |
| <b>Package:</b>  | P =         | Plastic PDIP (300 mil body), 8-lead |            |            |                |          |                                |  |          |                                |                         |         |                           |  |     |             |                           |     |                |  |     |                 |                 |     |                                     |  |      |                                     |  |      |               |
|  | SN =        | Plastic SOIC (3.90 mm body), 8-lead |            |            |                |          |                                |  |          |                                |                         |         |                           |  |     |             |                           |     |                |  |     |                 |                 |     |                                     |  |      |                                     |  |      |               |
|  | ST =        | TSSOP, 8-lead                       |            |            |                |          |                                |  |          |                                |                         |         |                           |  |     |             |                           |     |                |  |     |                 |                 |     |                                     |  |      |                                     |  |      |               |
| <p><b>Examples:</b></p> <ul style="list-style-type: none"> <li>a) 23K640-I/ST = 64 Kbit, 3.6V Serial SRAM, Industrial temp., TSSOP package</li> <li>b) 23A640T-I/SN = 64 Kbit, 1.8V Serial SRAM, Industrial temp., Tape &amp; Reel, SOIC package</li> <li>c) 23K640-E/ST = 64 Kbit, 3.6V Serial SRAM, Automotive temp., TSSOP package</li> </ul>   |             |                                     |            |            |                |          |                                |  |          |                                |                         |         |                           |  |     |             |                           |     |                |  |     |                 |                 |     |                                     |  |      |                                     |  |      |               |

# 23A640/23K640

---

NOTES:

---

---

**Note the following details of the code protection feature on Microchip devices:**

- Microchip products meet the specification contained in their particular Microchip Data Sheet.
- Microchip believes that its family of products is one of the most secure families of its kind on the market today, when used in the intended manner and under normal conditions.
- There are dishonest and possibly illegal methods used to breach the code protection feature. All of these methods, to our knowledge, require using the Microchip products in a manner outside the operating specifications contained in Microchip's Data Sheets. Most likely, the person doing so is engaged in theft of intellectual property.
- Microchip is willing to work with the customer who is concerned about the integrity of their code.
- Neither Microchip nor any other semiconductor manufacturer can guarantee the security of their code. Code protection does not mean that we are guaranteeing the product as “unbreakable.”

Code protection is constantly evolving. We at Microchip are committed to continuously improving the code protection features of our products. Attempts to break Microchip's code protection feature may be a violation of the Digital Millennium Copyright Act. If such acts allow unauthorized access to your software or other copyrighted work, you may have a right to sue for relief under that Act.

---

Information contained in this publication regarding device applications and the like is provided only for your convenience and may be superseded by updates. It is your responsibility to ensure that your application meets with your specifications. MICROCHIP MAKES NO REPRESENTATIONS OR WARRANTIES OF ANY KIND WHETHER EXPRESS OR IMPLIED, WRITTEN OR ORAL, STATUTORY OR OTHERWISE, RELATED TO THE INFORMATION, INCLUDING BUT NOT LIMITED TO ITS CONDITION, QUALITY, PERFORMANCE, MERCHANTABILITY OR FITNESS FOR PURPOSE. Microchip disclaims all liability arising from this information and its use. Use of Microchip devices in life support and/or safety applications is entirely at the buyer's risk, and the buyer agrees to defend, indemnify and hold harmless Microchip from any and all damages, claims, suits, or expenses resulting from such use. No licenses are conveyed, implicitly or otherwise, under any Microchip intellectual property rights.

**Trademarks**

The Microchip name and logo, the Microchip logo, dsPIC, KEELOQ, KEELOQ logo, MPLAB, PIC, PICmicro, PICSTART, PIC<sup>32</sup> logo, rPIC and UNI/O are registered trademarks of Microchip Technology Incorporated in the U.S.A. and other countries.

FilterLab, Hampshire, HI-TECH C, Linear Active Thermistor, MXDEV, MXLAB, SEEVAL and The Embedded Control Solutions Company are registered trademarks of Microchip Technology Incorporated in the U.S.A.

Analog-for-the-Digital Age, Application Maestro, chipKIT, chipKIT logo, CodeGuard, dsPICDEM, dsPICDEM.net, dsPICworks, dsSPEAK, ECAN, ECONOMONITOR, FanSense, HI-TIDE, In-Circuit Serial Programming, ICSP, Mindi, MiWi, MPASM, MPLAB Certified logo, MPLIB, MPLINK, mTouch, Omniscient Code Generation, PICC, PICC-18, PICDEM, PICDEM.net, PICKit, PICtail, REAL ICE, rLAB, Select Mode, Total Endurance, TSHARC, UniWinDriver, WiperLock and ZENA are trademarks of Microchip Technology Incorporated in the U.S.A. and other countries.

SQTP is a service mark of Microchip Technology Incorporated in the U.S.A.

All other trademarks mentioned herein are property of their respective companies.

© 2008-2011, Microchip Technology Incorporated, Printed in the U.S.A., All Rights Reserved.

 Printed on recycled paper.

ISBN: 978-1-61341-674-7

**QUALITY MANAGEMENT SYSTEM**  
**CERTIFIED BY DNV**  
**== ISO/TS 16949:2009 ==**

*Microchip received ISO/TS-16949:2009 certification for its worldwide headquarters, design and wafer fabrication facilities in Chandler and Tempe, Arizona; Gresham, Oregon and design centers in California and India. The Company's quality system processes and procedures are for its PIC<sup>®</sup> MCUs and dsPIC<sup>®</sup> DSCs, KEELOQ<sup>®</sup> code hopping devices, Serial EEPROMs, microperipherals, nonvolatile memory and analog products. In addition, Microchip's quality system for the design and manufacture of development systems is ISO 9001:2000 certified.*



# MICROCHIP

## Worldwide Sales and Service

### AMERICAS

**Corporate Office**  
2355 West Chandler Blvd.  
Chandler, AZ 85224-6199  
Tel: 480-792-7200  
Fax: 480-792-7277  
Technical Support:  
<http://www.microchip.com/support>  
Web Address:  
[www.microchip.com](http://www.microchip.com)

**Atlanta**  
Duluth, GA  
Tel: 678-957-9614  
Fax: 678-957-1455

**Boston**  
Westborough, MA  
Tel: 774-760-0087  
Fax: 774-760-0088

**Chicago**  
Itasca, IL  
Tel: 630-285-0071  
Fax: 630-285-0075

**Cleveland**  
Independence, OH  
Tel: 216-447-0464  
Fax: 216-447-0643

**Dallas**  
Addison, TX  
Tel: 972-818-7423  
Fax: 972-818-2924

**Detroit**  
Farmington Hills, MI  
Tel: 248-538-2250  
Fax: 248-538-2260

**Indianapolis**  
Noblesville, IN  
Tel: 317-773-8323  
Fax: 317-773-5453

**Los Angeles**  
Mission Viejo, CA  
Tel: 949-462-9523  
Fax: 949-462-9608

**Santa Clara**  
Santa Clara, CA  
Tel: 408-961-6444  
Fax: 408-961-6445

**Toronto**  
Mississauga, Ontario,  
Canada  
Tel: 905-673-0699  
Fax: 905-673-6509

### ASIA/PACIFIC

**Asia Pacific Office**  
Suites 3707-14, 37th Floor  
Tower 6, The Gateway  
Harbour City, Kowloon  
Hong Kong  
Tel: 852-2401-1200  
Fax: 852-2401-3431

**Australia - Sydney**  
Tel: 61-2-9868-6733  
Fax: 61-2-9868-6755

**China - Beijing**  
Tel: 86-10-8569-7000  
Fax: 86-10-8528-2104

**China - Chengdu**  
Tel: 86-28-8665-5511  
Fax: 86-28-8665-7889

**China - Chongqing**  
Tel: 86-23-8980-9588  
Fax: 86-23-8980-9500

**China - Hangzhou**  
Tel: 86-571-2819-3187  
Fax: 86-571-2819-3189

**China - Hong Kong SAR**  
Tel: 852-2401-1200  
Fax: 852-2401-3431

**China - Nanjing**  
Tel: 86-25-8473-2460  
Fax: 86-25-8473-2470

**China - Qingdao**  
Tel: 86-532-8502-7355  
Fax: 86-532-8502-7205

**China - Shanghai**  
Tel: 86-21-5407-5533  
Fax: 86-21-5407-5066

**China - Shenyang**  
Tel: 86-24-2334-2829  
Fax: 86-24-2334-2393

**China - Shenzhen**  
Tel: 86-755-8203-2660  
Fax: 86-755-8203-1760

**China - Wuhan**  
Tel: 86-27-5980-5300  
Fax: 86-27-5980-5118

**China - Xian**  
Tel: 86-29-8833-7252  
Fax: 86-29-8833-7256

**China - Xiamen**  
Tel: 86-592-2388138  
Fax: 86-592-2388130

**China - Zhuhai**  
Tel: 86-756-3210040  
Fax: 86-756-3210049

### ASIA/PACIFIC

**India - Bangalore**  
Tel: 91-80-3090-4444  
Fax: 91-80-3090-4123

**India - New Delhi**  
Tel: 91-11-4160-8631  
Fax: 91-11-4160-8632

**India - Pune**  
Tel: 91-20-2566-1512  
Fax: 91-20-2566-1513

**Japan - Yokohama**  
Tel: 81-45-471- 6166  
Fax: 81-45-471-6122

**Korea - Daegu**  
Tel: 82-53-744-4301  
Fax: 82-53-744-4302

**Korea - Seoul**  
Tel: 82-2-554-7200  
Fax: 82-2-558-5932 or  
82-2-558-5934

**Malaysia - Kuala Lumpur**  
Tel: 60-3-6201-9857  
Fax: 60-3-6201-9859

**Malaysia - Penang**  
Tel: 60-4-227-8870  
Fax: 60-4-227-4068

**Philippines - Manila**  
Tel: 63-2-634-9065  
Fax: 63-2-634-9069

**Singapore**  
Tel: 65-6334-8870  
Fax: 65-6334-8850

**Taiwan - Hsin Chu**  
Tel: 886-3-5778-366  
Fax: 886-3-5770-955

**Taiwan - Kaohsiung**  
Tel: 886-7-536-4818  
Fax: 886-7-330-9305

**Taiwan - Taipei**  
Tel: 886-2-2500-6610  
Fax: 886-2-2508-0102

**Thailand - Bangkok**  
Tel: 66-2-694-1351  
Fax: 66-2-694-1350

### EUROPE

**Austria - Wels**  
Tel: 43-7242-2244-39  
Fax: 43-7242-2244-393

**Denmark - Copenhagen**  
Tel: 45-4450-2828  
Fax: 45-4485-2829

**France - Paris**  
Tel: 33-1-69-53-63-20  
Fax: 33-1-69-30-90-79

**Germany - Munich**  
Tel: 49-89-627-144-0  
Fax: 49-89-627-144-44

**Italy - Milan**  
Tel: 39-0331-742611  
Fax: 39-0331-466781

**Netherlands - Drunen**  
Tel: 31-416-690399  
Fax: 31-416-690340

**Spain - Madrid**  
Tel: 34-91-708-08-90  
Fax: 34-91-708-08-91

**UK - Wokingham**  
Tel: 44-118-921-5869  
Fax: 44-118-921-5820

08/02/11

Компания «Океан Электроники» предлагает заключение долгосрочных отношений при поставках импортных электронных компонентов на взаимовыгодных условиях!

Наши преимущества:

- Поставка оригинальных импортных электронных компонентов напрямую с производств Америки, Европы и Азии, а так же с крупнейших складов мира;
- Широкая линейка поставок активных и пассивных импортных электронных компонентов (более 30 млн. наименований);
- Поставка сложных, дефицитных, либо снятых с производства позиций;
- Оперативные сроки поставки под заказ (от 5 рабочих дней);
- Экспресс доставка в любую точку России;
- Помощь Конструкторского Отдела и консультации квалифицированных инженеров;
- Техническая поддержка проекта, помощь в подборе аналогов, поставка прототипов;
- Поставка электронных компонентов под контролем ВП;
- Система менеджмента качества сертифицирована по Международному стандарту ISO 9001;
- При необходимости вся продукция военного и аэрокосмического назначения проходит испытания и сертификацию в лаборатории (по согласованию с заказчиком);
- Поставка специализированных компонентов военного и аэрокосмического уровня качества (Xilinx, Altera, Analog Devices, Intersil, Interpoint, Microsemi, Actel, Aeroflex, Peregrine, VPT, Syfer, Eurofarad, Texas Instruments, MS Kennedy, Miteq, Cobham, E2V, MA-COM, Hittite, Mini-Circuits, General Dynamics и др.);

Компания «Океан Электроники» является официальным дистрибьютором и эксклюзивным представителем в России одного из крупнейших производителей разъемов военного и аэрокосмического назначения «JONHON», а так же официальным дистрибьютором и эксклюзивным представителем в России производителя высокотехнологичных и надежных решений для передачи СВЧ сигналов «FORSTAR».



## JONHON

«JONHON» (основан в 1970 г.)

Разъемы специального, военного и аэрокосмического назначения:

(Применяются в военной, авиационной, аэрокосмической, морской, железнодорожной, горно- и нефтедобывающей отраслях промышленности)

«FORSTAR» (основан в 1998 г.)

ВЧ соединители, коаксиальные кабели, кабельные сборки и микроволновые компоненты:

(Применяются в телекоммуникациях гражданского и специального назначения, в средствах связи, РЛС, а так же военной, авиационной и аэрокосмической отраслях промышленности).



Телефон: 8 (812) 309-75-97 (многоканальный)

Факс: 8 (812) 320-03-32

Электронная почта: [ocean@oceanchips.ru](mailto:ocean@oceanchips.ru)

Web: <http://oceanchips.ru/>

Адрес: 198099, г. Санкт-Петербург, ул. Калинина, д. 2, корп. 4, лит. А