

PLEASE CHECK WWW.MOLEX.COM FOR LATEST PART INFORMATION

Part Number: [0877465391](#)
Status: **Active**
Description: 1.00mm (.039") Pitch DDR-II DIMM Socket, Vertical, Press-fit, 1.8V Center Keys, 3.30mm (.130") Tail Length, Black Housing, Clear Latches, 240 Circuits, 0.76µm (30µ") Selective Gold(Au) Plating, Lead-free

Documents:

[3D Model](#) [Product Specification PS-87746-002 \(PDF\)](#)
[Drawing \(PDF\)](#) [RoHS Certificate of Compliance \(PDF\)](#)

General

Product Family	Memory Module Sockets
Series	87746
Comments	Latches in Clear Color Lubricant at the Contact
Component Type	Socket
JEDEC Outline	MO-237
Product Name	DDR2 DIMM

Physical

Circuits (Loaded)	240
Color - Resin	Black, Clear
Durability (mating cycles max)	25
Entry Angle	Vertical (Top Entry)
Keying to Mating Part	Yes
Material - Metal	Phosphor Bronze
Material - Plating Mating	Gold
Material - Plating Termination	Tin
Material - Resin	High Temperature Thermoplastic, Polysulfone
PC Tail Length (in)	0.130 In
PC Tail Length (mm)	3.30 mm
PCB Locator	Yes
PCB Retention	Yes
PCB Thickness Recommended (in)	0.140 In
PCB Thickness Recommended (mm)	3.60 mm
Packaging Type	Tray
Pitch - Mating Interface (in)	0.039 In
Pitch - Mating Interface (mm)	1.00 mm
Plating min: Mating (µin)	30
Plating min: Mating (µm)	0.76
Plating min: Termination (µin)	15
Plating min: Termination (µm)	0.38
Temperature Range - Operating	-55°C to +85°C
Termination Interface: Style	Through Hole - Compliant Pin

Electrical

Current - Maximum per Contact	0.5A
Voltage - Maximum	30V
Voltage Key	1.8V, Center

Material Info

Reference - Drawing Numbers

Product Specification	PS-87746-002
Sales Drawing	SD-87746-001

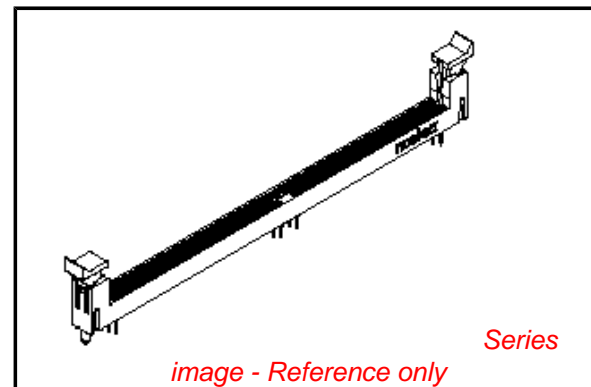


image - Reference only

EU RoHS

ELV and RoHS Compliant
REACH SVHC
 Not Reviewed
Halogen-Free Status

China RoHS



Not Reviewed

Need more information on product environmental compliance?

Email productcompliance@molex.com
 For a multiple part number RoHS Certificate of Compliance, [click here](#)

Please visit the [Contact Us](#) section for any non-product compliance questions.

Search Parts in this Series

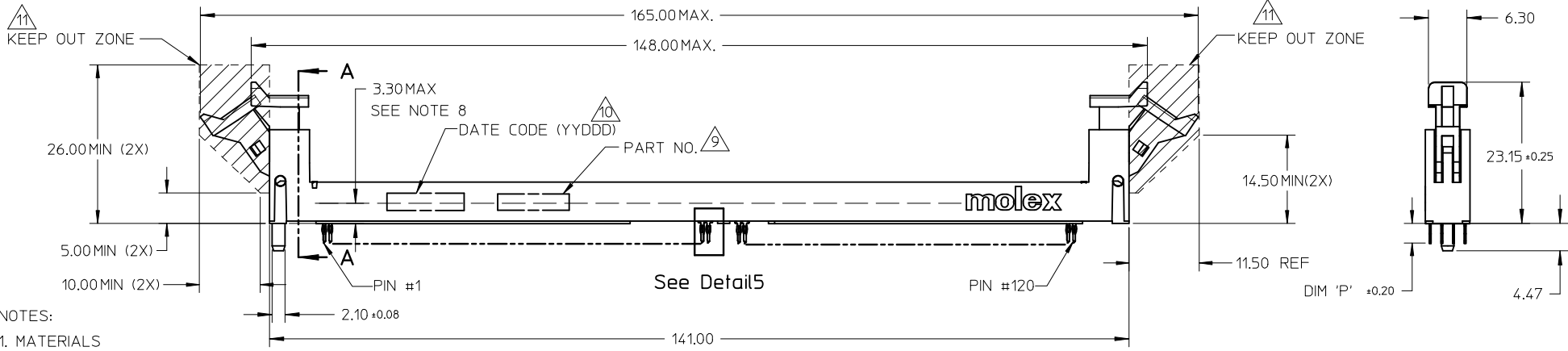
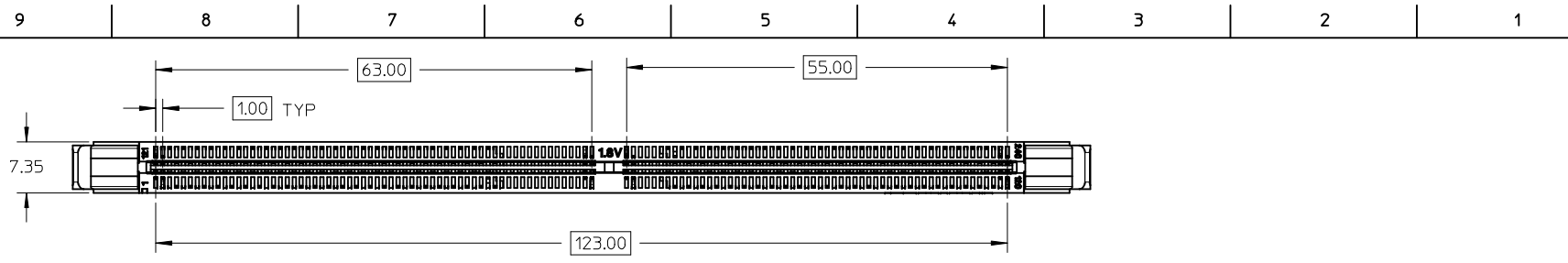
87746Series

Mates With

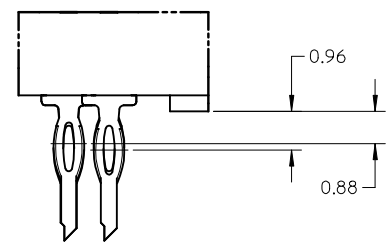
JEDEC standard 1.27mm modules

This document was generated on 04/07/2010

PLEASE CHECK WWW.MOLEX.COM FOR LATEST PART INFORMATION



- NOTES:
- MATERIALS
 HOUSING - HIGH TEMP. NYLON, GLASS-FILLED, UL 94V-0.
 LATCH - HIGH TEMP. NYLON, GLASS-FILLED, UL 94V-0 - NATURAL
 POLYSULFONE, UL 94HB - CLEAR
 (COLOUR OF THE HOUSING AND LATCHES REFER TO TABLE ON SHEET 5 & 6).
 TERMINAL - PHOSPHOR BRONZE
 - FINISHES - CONTACT AREA - SEE TABLE IN SHEET 5.
 TAIL AREA - 15µIN(0.38µM) TO 60µIN(1.52µM) MIN.
 90/10 TIN/LEAD OR TIN OVER 50µIN(1.27µM) MIN. NICKEL.
 - REFER TO PRODUCT SPEC. PS-87746-002 FOR PERFORMANCE SPECIFICATIONS.
 - PRODUCT SHALL BE PACKED IN TRAY.
 - CARD SLOT ACCEPTS 1.27±0.10 MM MODULE THICKNESS. (MEASURED OVER P.C. PADS)
 - RECOMMENDED MODULE LAYOUT SHALL BE AS PER JEDEC MO-237.
 - RECOMMENDED PLATING ON MODULE PADS: 30µIN(0.76µM) MIN. HARD GOLD OVER 79µIN(2µM) MIN. NICKEL.
 - DIMM MODULE SEATING PLANE FROM TOP OF PCB.
 - PART NUMBER SHALL BE MARKED LEGIBLY AS : 87746 XXXX
 - DATE CODE SHALL BE MARKED LEGIBLY AS SHOWN : YYDDD
 - KEEP OUT CROSS HATCHED ARE RESERVED FOR SOCKET EJECTORS AT BOTH ENDS.
 - KEEP OUT ZONE IS HEIGHT LIMITED PER 11.



Detail5

1. MATERIALS
 HOUSING - HIGH TEMP. NYLON, GLASS-FILLED, UL 94V-0.
 LATCH - HIGH TEMP. NYLON, GLASS-FILLED, UL 94V-0 - NATURAL
 POLYSULFONE, UL 94HB - CLEAR
 (COLOUR OF THE HOUSING AND LATCHES REFER TO TABLE ON SHEET 5 & 6).
 TERMINAL - PHOSPHOR BRONZE
2. FINISHES - CONTACT AREA - SEE TABLE IN SHEET 5.
 TAIL AREA - 15µIN(0.38µM) TO 60µIN(1.52µM) MIN.
 90/10 TIN/LEAD OR TIN OVER 50µIN(1.27µM) MIN. NICKEL.
3. REFER TO PRODUCT SPEC. PS-87746-002 FOR PERFORMANCE SPECIFICATIONS.
4. PRODUCT SHALL BE PACKED IN TRAY.
5. CARD SLOT ACCEPTS 1.27±0.10 MM MODULE THICKNESS. (MEASURED OVER P.C. PADS)
6. RECOMMENDED MODULE LAYOUT SHALL BE AS PER JEDEC MO-237.
7. RECOMMENDED PLATING ON MODULE PADS: 30µIN(0.76µM) MIN. HARD GOLD OVER 79µIN(2µM) MIN. NICKEL.
8. DIMM MODULE SEATING PLANE FROM TOP OF PCB.
9. PART NUMBER SHALL BE MARKED LEGIBLY AS : 87746 XXXX
10. DATE CODE SHALL BE MARKED LEGIBLY AS SHOWN : YYDDD
11. KEEP OUT CROSS HATCHED ARE RESERVED FOR SOCKET EJECTORS AT BOTH ENDS.
12. KEEP OUT ZONE IS HEIGHT LIMITED PER 11.

PART NO UPDATED EC NO: S2009-0883 DRWN: TARUNGHAM 2009/05/22 CHKD: CGTAN 2009/05/22 APPR: SHILENI 2009/05/25	QUALITY SYMBOLS ▽=0 ◻=0	GENERAL TOLERANCES (UNLESS SPECIFIED)		DIMENSION STYLE MM ONLY		SCALE NTS	DESIGN UNITS METRIC	THIRD ANGLE PROJECTION		
			mm	INCH	DRAWN BY CGOH	DATE 2002/06/13	TITLE DDR2 DIMM, 100MM PITCH 240 CKTS, VERT. PRESSFIT			
		4 PLACES	± ---	± ---	CHECKED BY DSOH	DATE 2002/08/07	MOLEX INCORPORATED DOCUMENT NO. SD-87746-001 SHEET NO. 1 OF 6			
		3 PLACES	± ---	± ---	APPROVED BY SKTOH	DATE 2002/08/08				
2 PLACES	± 0.20	± ---	ANGULAR ± 5 °		MATERIAL NO.		SEE TABLE			
1 PLACE	± ---	± ---	DRAFT WHERE APPLICABLE MUST REMAIN WITHIN DIMENSIONS		SIZE A3		THIS DRAWING CONTAINS INFORMATION THAT IS PROPRIETARY TO MOLEX INCORPORATED AND SHOULD NOT BE USED WITHOUT WRITTEN PERMISSION			

10 9 8 7 6 5 4 3 2 1

F

E

D

C

B

A

F

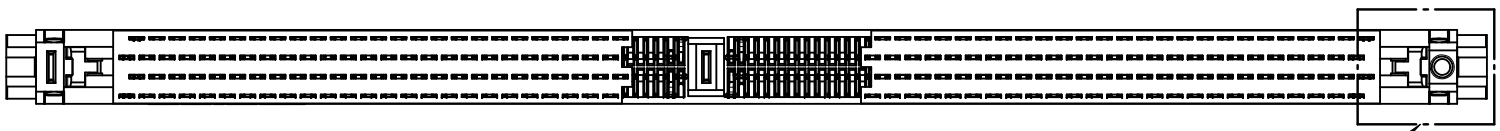
E

D

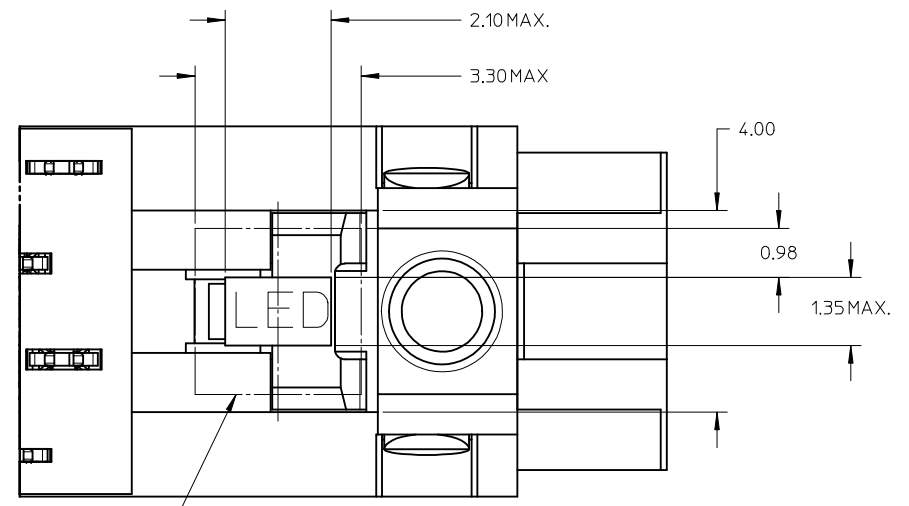
C

B

A

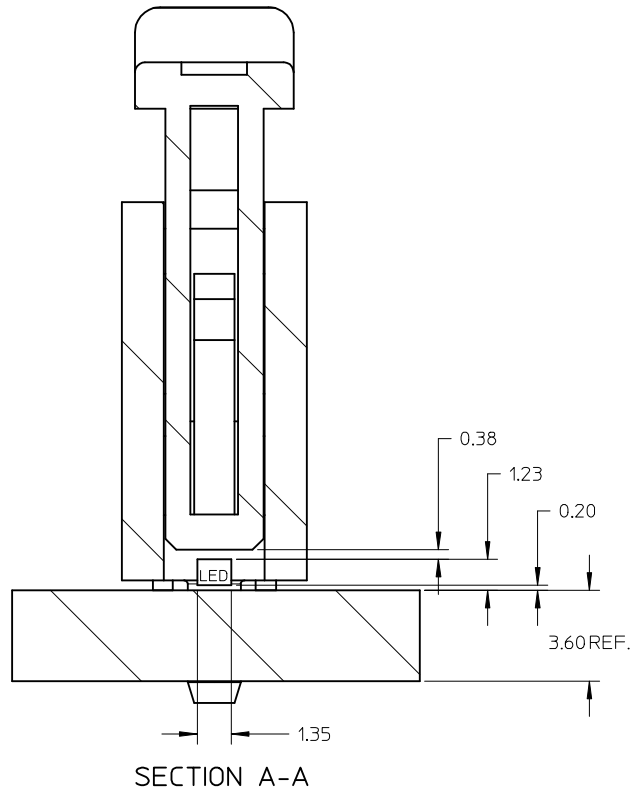


Detail3



Detail3

LED PLACEMENT AREA



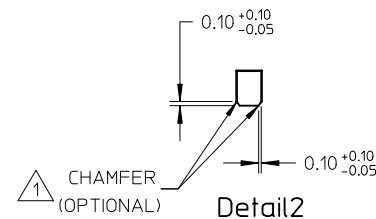
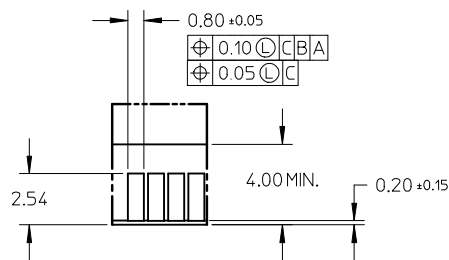
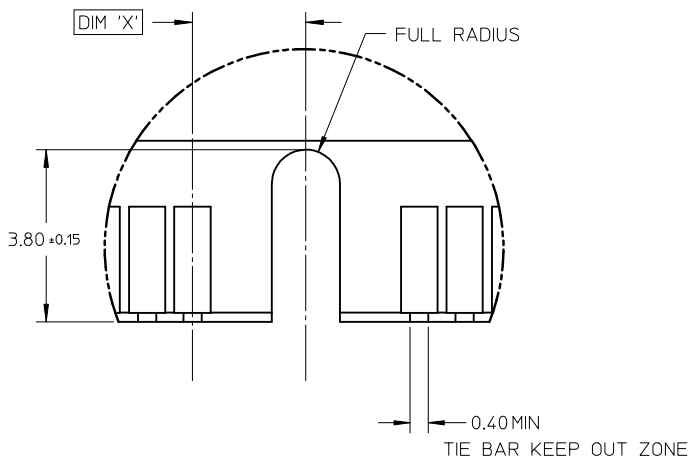
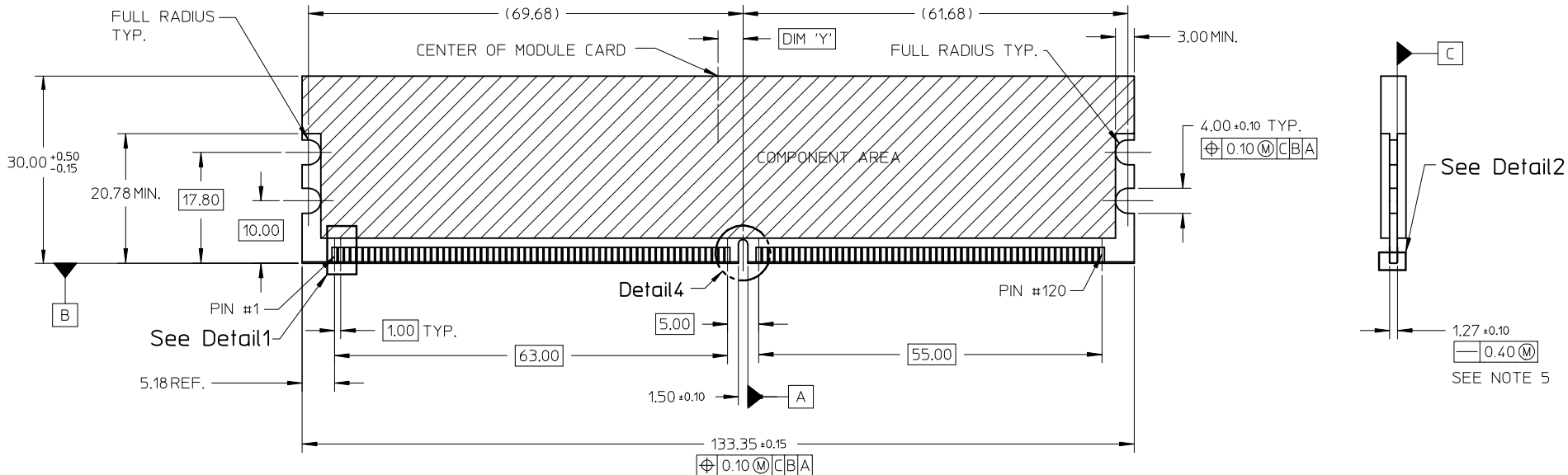
SECTION A-A

PART NO UPDATED EC NO: S2009-0883 DRWN: TARUMGHAM 2009/05/22 CHKD: CGTAN 2009/05/22 APPR: SILENI 2009/05/25	DESCRIPTION D8	QUALITY SYMBOLS	GENERAL TOLERANCES (UNLESS SPECIFIED)	DIMENSION STYLE	SCALE	DESIGN UNITS	THIRD ANGLE PROJECTION
		$\nabla=0$ $\sphericalangle=0$	mm INCH 4 PLACES ± --- ± --- 3 PLACES ± --- ± --- 2 PLACES ± 0.20 ± --- 1 PLACE ± --- ± --- ANGULAR ± 5 °	MM ONLY	NTS	METRIC	
			DRAWN BY: CGOH DATE: 2002/06/13 CHECKED BY: DSOH DATE: 2002/08/07 APPROVED BY: SKTOH DATE: 2002/08/08	TITLE	DDR2 DIMM, 100MM PITCH 240 CKTS, VERT. PRESSFIT		
		DRAFT WHERE APPLICABLE MUST REMAIN WITHIN DIMENSIONS	MATERIAL NO. SEE TABLE	MOLEX INCORPORATED DOCUMENT NO. SD-87746-001	SHEET NO. 2 OF 6		

9 8 7 6 5 4 3 2 1

10 9 8 7 6 5 4 3 2 1

RECOMMENDED MODULE LAYOUT



KEY LOCATION	VOLTAGE	DIM 'X'	DIM 'Y'
CENTER	1.8V	2.50	4.00

Detail 4

Detail 1

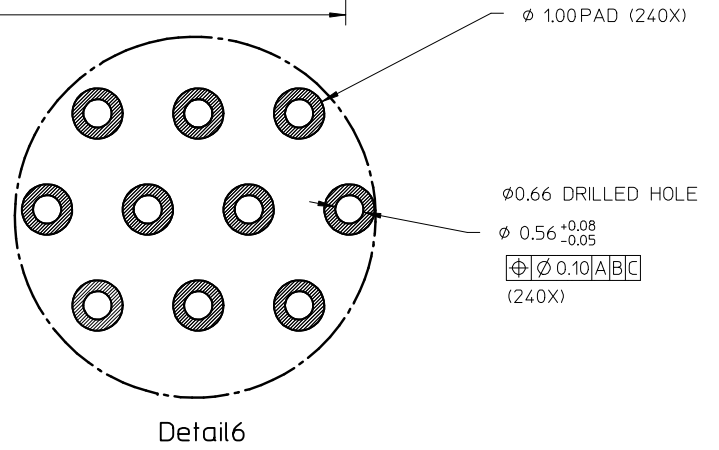
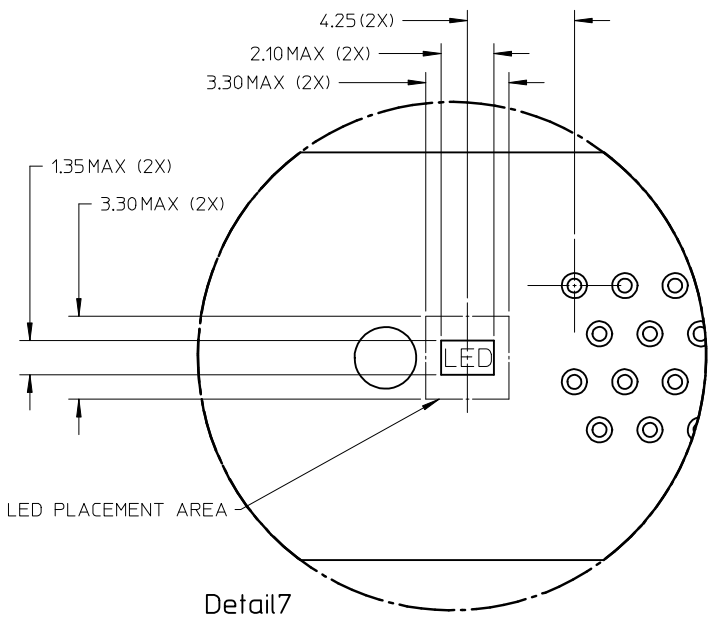
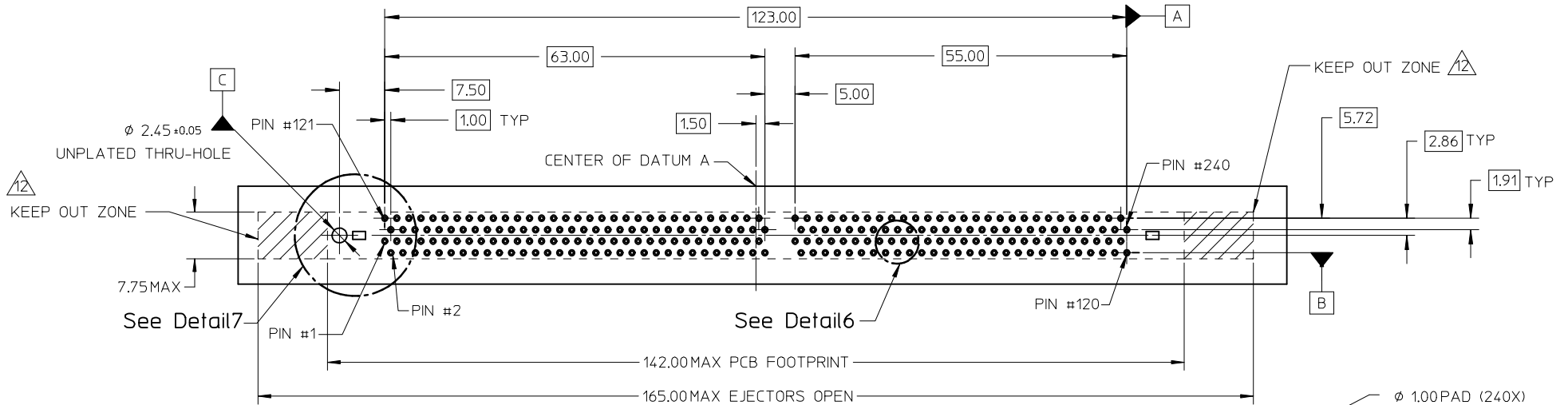
Detail 2

NOTES :
 1 MODULE CARD USED IN PRODUCT TESTING ARE CHAMFERED.

PART NO UPDATED EC NO: S2009-0883 DRWN: TARUNGHAM 2009/05/22 CHKD: CGTAN 2009/05/22 APPR: SHLENI 2009/05/25	QUALITY SYMBOLS ▽=0 ◻=0	GENERAL TOLERANCES (UNLESS SPECIFIED) mm INCH 4 PLACES ± --- ± --- 3 PLACES ± --- ± --- 2 PLACES ± 0.20 ± --- 1 PLACE ± --- ± --- ANGULAR ± 5 °	DIMENSION STYLE MM ONLY DRAWN BY CGOH DATE 2002/06/13 CHECKED BY DSOH DATE 2002/08/07 APPROVED BY SKTOH DATE 2002/08/08	SCALE NTS DESIGN UNITS METRIC THIRD ANGLE PROJECTION	TITLE DDR2 DIMM, 100MM PITCH 240 CKTS, VERT. PRESSFIT
	DRAFT WHERE APPLICABLE MUST REMAIN WITHIN DIMENSIONS	MATERIAL NO. SEE TABLE	MOLEX INCORPORATED DOCUMENT NO. SD-87746-001	SHEET NO. 3 OF 6	
	SIZE A3	THIS DRAWING CONTAINS INFORMATION THAT IS PROPRIETARY TO MOLEX INCORPORATED AND SHOULD NOT BE USED WITHOUT WRITTEN PERMISSION			
	REV D8				

9 8 7 6 5 4 3 2 1

RECOMMENDED PCB HOLE PATTERN
SEE TABLE IN SHEET 5 FOR
RECOMMENDED PCB THICKNESS



PART NO UPDATED EC NO: S2009-0883 DRWN: TARUMGHAM 2009/05/22 CHKD: CGTAN 2009/05/22 APPR: SILENI 2009/05/25	QUALITY SYMBOLS ▽=0 Ⓢ=0	GENERAL TOLERANCES (UNLESS SPECIFIED) <table border="1"> <thead> <tr> <th></th> <th>mm</th> <th>INCH</th> </tr> </thead> <tbody> <tr> <td>4 PLACES</td> <td>± ---</td> <td>± ---</td> </tr> <tr> <td>3 PLACES</td> <td>± ---</td> <td>± ---</td> </tr> <tr> <td>2 PLACES</td> <td>± 0.20</td> <td>± ---</td> </tr> <tr> <td>1 PLACE</td> <td>± ---</td> <td>± ---</td> </tr> </tbody> </table>		mm	INCH	4 PLACES	± ---	± ---	3 PLACES	± ---	± ---	2 PLACES	± 0.20	± ---	1 PLACE	± ---	± ---	DIMENSION STYLE MM ONLY	SCALE NTS	DESIGN UNITS METRIC	THIRD ANGLE PROJECTION
		mm	INCH																		
	4 PLACES	± ---	± ---																		
	3 PLACES	± ---	± ---																		
2 PLACES	± 0.20	± ---																			
1 PLACE	± ---	± ---																			
D8	DRAFT WHERE APPLICABLE MUST REMAIN WITHIN DIMENSIONS	<table border="1"> <thead> <tr> <th>DRAWN BY</th> <th>DATE</th> <th>TITLE</th> </tr> </thead> <tbody> <tr> <td>CGOH</td> <td>2002/06/13</td> <td rowspan="4"> DDR2 DIMM, 100MM PITCH 240 CKTS, VERT. PRESSFIT </td> </tr> <tr> <td>CHECKED BY</td> <td>DATE</td> </tr> <tr> <td>APPROVED BY</td> <td>DATE</td> </tr> <tr> <td>SKTOH</td> <td>2002/08/08</td> </tr> </tbody> </table>	DRAWN BY	DATE	TITLE	CGOH	2002/06/13	DDR2 DIMM, 100MM PITCH 240 CKTS, VERT. PRESSFIT	CHECKED BY	DATE	APPROVED BY	DATE	SKTOH	2002/08/08	MOLEX INCORPORATED	SHEET NO. 4 OF 6					
DRAWN BY	DATE	TITLE																			
CGOH	2002/06/13	DDR2 DIMM, 100MM PITCH 240 CKTS, VERT. PRESSFIT																			
CHECKED BY	DATE																				
APPROVED BY	DATE																				
SKTOH	2002/08/08																				
SEE TABLE	MATERIAL NO.	DOCUMENT NO. SD-87746-001	THIS DRAWING CONTAINS INFORMATION THAT IS PROPRIETARY TO MOLEX INCORPORATED AND SHOULD NOT BE USED WITHOUT WRITTEN PERMISSION																		

PART NO.	VOLTAGE KEY POS.	VOLTAGE KEY TEXT	TAIL LENGTH P±0.20	RECOMMENDED PCB THICKNESS	LUBRICATION	PLATING OPTION	LATCH COLOR	PLATING OPTION	HOUSING COLOR
87746-0001	CENTER	1.8V	4.20	4.57	NO	SELECTIVE GOLD 0.38µM/ 15µIN MIN. GOLD OVER 1.27µM/ 50µIN MIN. NICKEL	NATURAL (OFF WHITE)	TIN/LEAD	BLACK
87746-1001			3.30	3.60					
87746-0011	CENTER	1.8V	4.20	4.57	NO	SELECTIVE GOLD 0.76µM/ 30µIN MIN. GOLD OVER 1.27µM/ 50µIN MIN. NICKEL	NATURAL (OFF WHITE)	TIN/LEAD	BLACK
87746-1011			3.30	3.60					
87746-0091	CENTER	1.8V	4.20	4.57	YES	SELECTIVE GOLD 0.76µM/ 30µIN MIN. GOLD OVER 1.27µM/ 50µIN MIN. NICKEL	NATURAL (OFF WHITE)	TIN/LEAD	BLACK
87746-1091			3.30	3.60					
87746-5001	CENTER	1.8V	4.20	4.57	NO	SELECTIVE GOLD 0.38µM/ 15µIN MIN. GOLD OVER 1.27µM/ 50µIN MIN. NICKEL	CLEAR	TIN/LEAD	BLACK
87746-5101			3.30	3.60					
87746-5011	CENTER	1.8V	4.20	4.57	NO	SELECTIVE GOLD 0.76µM/ 30µIN MIN. GOLD OVER 1.27µM/ 50µIN MIN. NICKEL	CLEAR	TIN/LEAD	BLACK
87746-5111			3.30	3.60					
87746-5091	CENTER	1.8V	4.20	4.57	YES	SELECTIVE GOLD 0.76µM/ 30µIN MIN. GOLD OVER 1.27µM/ 50µIN MIN. NICKEL	CLEAR	TIN/LEAD	BLACK
87746-5191			3.30	3.60					

PART NO UPDATED EC NO: S2009-0883 DRWN: TARUUGHAM 2009/05/22 CHKD: CGTAN 2009/05/22 APPR: SILENI 2009/05/25	QUALITY SYMBOLS	GENERAL TOLERANCES (UNLESS SPECIFIED)		DIMENSION STYLE MM ONLY		SCALE NTS	DESIGN UNITS METRIC	THIRD ANGLE PROJECTION	
	▼=0	mm	INCH	DRAWN BY	DATE	TITLE			
	∇=0	4 PLACES ± --- ± ---	CGOH	2002/06/13	DDR2 DIMM, 100MM PITCH 240 CKTS, VERT. PRESSFIT				
		3 PLACES ± --- ± ---	CHECKED BY	DATE	MOLEX INCORPORATED				
		2 PLACES ± 0.20 ± ---	DSOH	2002/08/07	DOCUMENT NO. SD-87746-001				
	1 PLACE ± --- ± ---	APPROVED BY	DATE	SHEET NO. 5 OF 6					
	ANGULAR ± 5 °	SKTOH	2002/08/08	SEE TABLE					
		DRAFT WHERE APPLICABLE MUST REMAIN WITHIN DIMENSIONS		MATERIAL NO.		THIS DRAWING CONTAINS INFORMATION THAT IS PROPRIETARY TO MOLEX INCORPORATED AND SHOULD NOT BE USED WITHOUT WRITTEN PERMISSION			
		SIZE	A3						

PART NO.	VOLTAGE KEY POS.	VOLTAGE KEY TEXT	TAIL LENGTH P±0.20	RECOMMENDED PCB THICKNESS	LUBRICATION	PLATING OPTION	LATCH COLOR	PLATING OPTION	HOUSING COLOR
87746-8001	CENTER	1.8V	4.20	4.57	NO	SELECTIVE GOLD 0.38µM/ 15µIN MIN. GOLD OVER 1.27µM/ 50µIN MIN. NICKEL			
87746-9001			3.30	3.60					
87746-8011	CENTER	1.8V	4.20	4.57	NO	SELECTIVE GOLD 0.76µM/ 30µIN MIN. GOLD OVER 1.27µM/ 50µIN MIN. NICKEL	NATURAL (OFF WHITE)		
87746-9011			3.30	3.60					
87746-8091	CENTER	1.8V	4.20	4.57	YES	SELECTIVE GOLD 0.76µM/ 30µIN MIN. GOLD OVER 1.27µM/ 50µIN MIN. NICKEL		TIN	BLACK
87746-9091			3.30	3.60					
87746-5201	CENTER	1.8V	4.20	4.57	NO	SELECTIVE GOLD 0.38µM/ 15µIN MIN. GOLD OVER 1.27µM/ 50µIN MIN. NICKEL			
87746-5301			3.30	3.60					
87746-5211	CENTER	1.8V	4.20	4.57	NO	SELECTIVE GOLD 0.76µM/ 30µIN MIN. GOLD OVER 1.27µM/ 50µIN MIN. NICKEL	CLEAR		
87746-5311			3.30	3.60					
87746-5291	CENTER	1.8V	4.20	4.57	YES	SELECTIVE GOLD 0.76µM/ 30µIN MIN. GOLD OVER 1.27µM/ 50µIN MIN. NICKEL			
87746-5391			3.30	3.60					
87746-5381			3.30	3.60					

PART NO UPDATED EC NO: S2009-0883 DRWN: TARUUGHAM 2009/05/22 CHKD: CGTAN 2009/05/22 APPR: SILENI 2009/05/25	QUALITY SYMBOLS	GENERAL TOLERANCES (UNLESS SPECIFIED)	DIMENSION STYLE	SCALE	DESIGN UNITS	THIRD ANGLE PROJECTION
	▽=0 ◻=0	mm INCH 4 PLACES ± --- ± --- 3 PLACES ± --- ± --- 2 PLACES ± 0.20 ± --- 1 PLACE ± --- ± --- ANGULAR ± 5 °	MM ONLY	NTS	METRIC	
	DESCRIPTION	DRAFT WHERE APPLICABLE MUST REMAIN WITHIN DIMENSIONS	DRAWN BY DATE	TITLE		
	REV		CGOH 2002/06/13	DDR2 DIMM, 100MM PITCH 240 CKTS, VERT. PRESSFIT		
D8			CHECKED BY DATE	MOLEX INCORPORATED		
			DSOH 2002/08/07	DOCUMENT NO.		
			APPROVED BY DATE	SD-87746-001		
			SKTOH 2002/08/08	SHEET NO.		
			MATERIAL NO.	6 OF 6		
			SEE TABLE	THIS DRAWING CONTAINS INFORMATION THAT IS PROPRIETARY TO MOLEX INCORPORATED AND SHOULD NOT BE USED WITHOUT WRITTEN PERMISSION		

Компания «Океан Электроники» предлагает заключение долгосрочных отношений при поставках импортных электронных компонентов на взаимовыгодных условиях!

Наши преимущества:

- Поставка оригинальных импортных электронных компонентов напрямую с производств Америки, Европы и Азии, а так же с крупнейших складов мира;
- Широкая линейка поставок активных и пассивных импортных электронных компонентов (более 30 млн. наименований);
- Поставка сложных, дефицитных, либо снятых с производства позиций;
- Оперативные сроки поставки под заказ (от 5 рабочих дней);
- Экспресс доставка в любую точку России;
- Помощь Конструкторского Отдела и консультации квалифицированных инженеров;
- Техническая поддержка проекта, помощь в подборе аналогов, поставка прототипов;
- Поставка электронных компонентов под контролем ВП;
- Система менеджмента качества сертифицирована по Международному стандарту ISO 9001;
- При необходимости вся продукция военного и аэрокосмического назначения проходит испытания и сертификацию в лаборатории (по согласованию с заказчиком);
- Поставка специализированных компонентов военного и аэрокосмического уровня качества (Xilinx, Altera, Analog Devices, Intersil, Interpoint, Microsemi, Actel, Aeroflex, Peregrine, VPT, Syfer, Eurofarad, Texas Instruments, MS Kennedy, Miteq, Cobham, E2V, MA-COM, Hittite, Mini-Circuits, General Dynamics и др.);

Компания «Океан Электроники» является официальным дистрибьютором и эксклюзивным представителем в России одного из крупнейших производителей разъемов военного и аэрокосмического назначения «**JONHON**», а так же официальным дистрибьютором и эксклюзивным представителем в России производителя высокотехнологичных и надежных решений для передачи СВЧ сигналов «**FORSTAR**».



JONHON

«**JONHON**» (основан в 1970 г.)

Разъемы специального, военного и аэрокосмического назначения:

(Применяются в военной, авиационной, аэрокосмической, морской, железнодорожной, горно- и нефтедобывающей отраслях промышленности)

«**FORSTAR**» (основан в 1998 г.)

ВЧ соединители, коаксиальные кабели,
кабельные сборки и микроволновые компоненты:

(Применяются в телекоммуникациях гражданского и специального назначения, в средствах связи, РЛС, а так же военной, авиационной и аэрокосмической отраслях промышленности).



Телефон: 8 (812) 309-75-97 (многоканальный)

Факс: 8 (812) 320-03-32

Электронная почта: ocean@oceanchips.ru

Web: <http://oceanchips.ru/>

Адрес: 198099, г. Санкт-Петербург, ул. Калинина, д. 2, корп. 4, лит. А