

## 300mA LDO REGULATOR

NO.EA-078-140822

### OUTLINE

The R1130x Series are CMOS-based voltage regulator (VR) ICs. VR function has features of high ripple rejection, low dropout voltage, high output voltage accuracy, and ultra-low supply current. Each of these ICs consists of a voltage reference unit, an error amplifier, resistors for setting output voltage, and a current limit circuit. Each of the R1130xxxxA/B type includes also a chip enable circuit.

The output voltage of the R1130xxxxC type is adjustable with external resistors.

The output voltage of R1130xxxxA/B is fixed in the IC. Low supply current by the merit of CMOS process and built-in transistors with low ON-resistance make low dropout voltage. These regulators in the R1130x Series are remarkable improvement on the current regulators in terms of ripple rejection, input transient response, and load transient response. Maximum Output Current is large for its compact size.

Thus, the R1130x Series are suitable for power supply for CD-drives, DVD-drives, and so forth.

Since the packages for these ICs are the SOT-89-5 package or HSON-6 (**Discontinued**), high density mounting of the ICs on boards is possible.

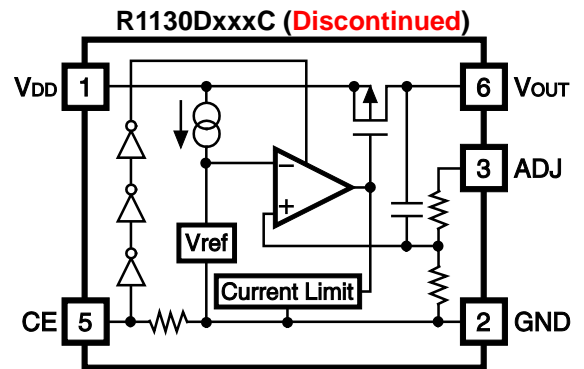
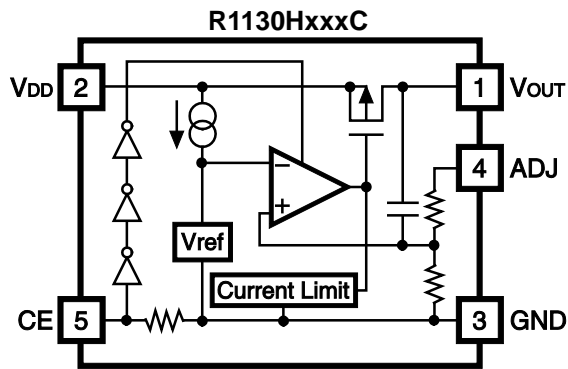
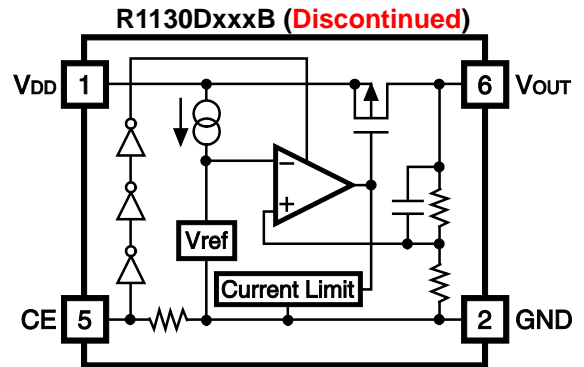
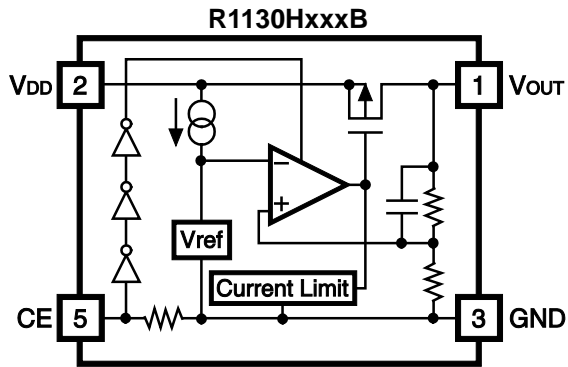
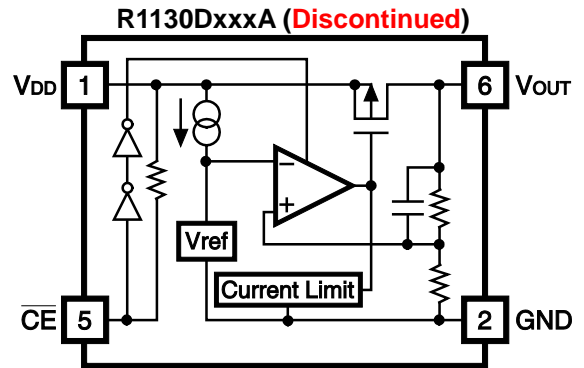
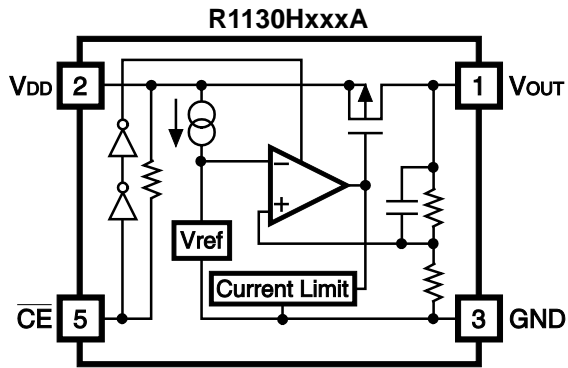
### FEATURES

- Supply Current ..... Typ. 50 $\mu$ A
- Standby Current ..... Typ. 0.1 $\mu$ A (VR) for A type
- Ripple Rejection ..... Typ. 60dB (f=1kHz) (VR)
- Output Current ..... Min. 300mA ( $V_{IN}=V_{OUT}+1V$ )
- Output Voltage Range ..... 1.5V to 5.0V (0.1V steps)  
Externally specified with the ADJUST pin  
(Reference Voltage 1.8V : C Version)  
(For other voltages, please refer to MARK INFORMATION.)
- Output Voltage Accuracy .....  $\pm 2.0\%$ (VR) for A/B type,  
 $\pm 2.0\%$  (Reference Voltage for adjustable VR) for C type
- Dropout Voltage ..... Typ. 0.2V ( $I_{OUT}=100mA$ ) (VR)
- Temperature-drift Coefficient of Output Voltage .....  $\pm 100ppm/^{\circ}C$
- Absolute Maximum Voltage ..... 9.0V
- Packages ..... SOT-89-5, HSON-6 (**Discontinued**)
- Built-in Current Limit Circuit
- Internal Phase Compensation (small output capacitance such as 0.1 $\mu$ F Ceramic can be used with.)

### APPLICATIONS

- Power source for CD-drives and DVD-drives, HDD.
- Local Power source for Notebook PC.

**BLOCK DIAGRAMS**

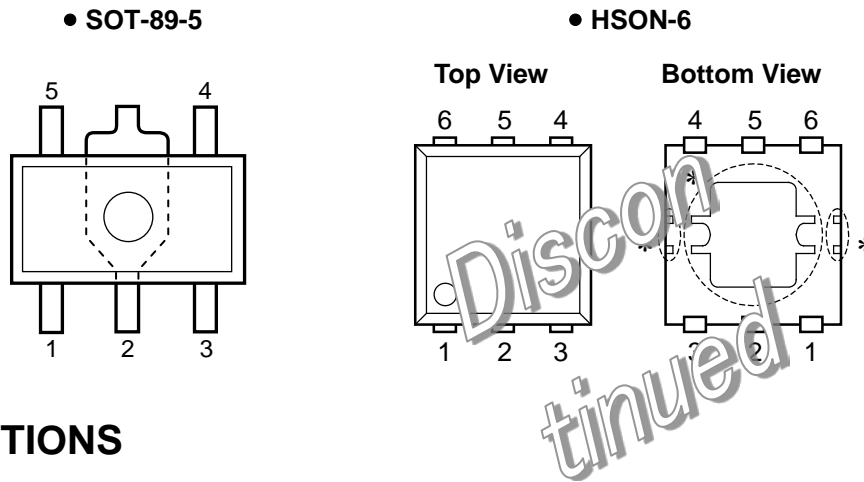


## SELECTION GUIDE

The output voltage, CE pin polarity, package for the ICs can be selected at the user's request.

Product Name	Package	Quantity per Reel	Pb Free	Halogen Free
R1130Dxx1*-TR-FE	HSO6-6 (Discontinued)	3,000 pcs	Yes	Yes
R1130Hxx1*-T1-FE	SOT-89-5	1,000 pcs	Yes	Yes
xx: The output voltage can be designated in the range from 1.5V(15) to 5.0V(50) in 0.1V steps. (C Version is fixed at 00.) (For other voltages, please refer to MARK INFORMATIONS.)				
* : CE pin polarity are options as follows. (A) "L" active (B) "H" active (C) "H" active, with ADJUST pin.				

## PIN CONFIGURATION



## PIN DESCRIPTIONS

### • SOT-89-5

Pin No.	Symbol	Description
1	$V_{OUT}$	Voltage Regulator Output Pin
2	$V_{DD}$	Input Pin
3	GND	Ground Pin
4	NC (A/B type)	No Connection
	ADJ (C type)	Adjustable Regulator feedback Input Pin (Connect to resistor voltage divider.)
5	$\overline{CE}$ (A type) or CE (B/D type)	Chip Enable Pin

### • HSON-6 (Discontinued)

Pin No.	Symbol	Description
1	$V_{DD}$	Input Pin
2	GND	Ground Pin
3	NC (A/B type)	No Connection
	ADJ (C type)	Adjustable Regulator feedback Input Pin (Connect to resistor voltage divider.)
4	NC	No Connection
5	$\overline{CE}$ (A type) or CE (B/D type)	Chip Enable Pin
6	$V_{OUT}$	Voltage Regulator Output Pin

\*) Tab and tab suspension leads are  $V_{DD}$  level. (They are connected to the reverse side of the IC.)  
 The tab is better to be connected to the  $V_{DD}$ , but leaving it open is also acceptable.  
 The tab suspension leads should be open and do not connect to other wires or land patterns.

## ABSOLUTE MAXIMUM RATINGS

Symbol	Item	Rating	Unit
$V_{IN}$	Input Voltage	9.0	V
$V_{CE}$	Input Voltage ( $\overline{CE}$ or CE Input Pin)	-0.3~9.0	V
$V_{ADJ}$	Input Voltage (ADJ Input Pin)	-0.3~9.0	V
$V_{OUT}$	Output Voltage	-0.3~ $V_{IN}+0.3$	V
$I_{OUT}$	Output Current	450	mA
$P_D$	Power Dissipation (SOT-89-5)*	900	mW
	Power Dissipation (HSO-6)* (Discontinued)	900	
$T_{opt}$	Operating Temperature Range	-40~85	°C
$T_{stg}$	Storage Temperature Range	-55~125	°C

\*) For Power Dissipation, please refer to PACKAGE INFORMATION.

### ABSOLUTE MAXIMUM RATINGS

Electronic and mechanical stress momentarily exceeded absolute maximum ratings may cause the permanent damages and may degrade the life time and safety for both device and system using the device in the field.

The functional operation at or over these absolute maximum ratings is not assured.

### RECOMMENDED OPERATING CONDITIONS (ELECTRICAL CHARACTERISTICS)

All of electronic equipment should be designed that the mounted semiconductor devices operate within the recommended operating conditions. The semiconductor devices cannot operate normally over the recommended operating conditions, even if when they are used over such conditions by momentary electronic noise or surge. And the semiconductor devices may receive serious damage when they continue to operate over the recommended operating conditions.

## ELECTRICAL CHARACTERISTICS

## • R1130xxxxA

T<sub>opt</sub>=25°C

Symbol	Item	Conditions	Min.	Typ.	Max.	Unit
V <sub>IN</sub>	Input Voltage		2.5		8.0	V
I <sub>SS1</sub>	Supply Current 1	V <sub>IN</sub> -V <sub>OUT</sub> =1.0V, V <sub>IN</sub> =GND		50	100	μA
I <sub>standby</sub>	Standby Current	V <sub>IN</sub> -V <sub>OUT</sub> =1.0V, V <sub>IN</sub> =V <sub>CE</sub>		0.1	1.0	μA
V <sub>OUT</sub>	Output Voltage	V <sub>IN</sub> -V <sub>OUT</sub> =1.0V 1mA ≤ I <sub>OUT</sub> ≤ 80mA	V <sub>OUT</sub> × 0.980	Set V <sub>OUT</sub>	V <sub>OUT</sub> × 1.020	V
I <sub>OUT1</sub>	Output Current	Refer to the table of Input Voltage by Set Output Voltage	300			mA
ΔV <sub>OUT</sub> /ΔI <sub>OUT</sub>	Load Regulation	V <sub>IN</sub> -V <sub>OUT</sub> =1.0V 1mA ≤ I <sub>OUT</sub> ≤ 80mA		40	80	mV
V <sub>DIF</sub>	Dropout Voltage	I <sub>OUT</sub> =100mA	Refer to the ELECTRICAL CHARACTERISTICS by OUTPUT VOLTAGE			
ΔV <sub>OUT</sub> /ΔV <sub>IN</sub>	Line Regulation	I <sub>OUT</sub> =80mA, Set V <sub>OUT</sub> >2.0V: V <sub>OUT</sub> +0.5V ≤ V <sub>IN</sub> ≤ 8.0V Set V <sub>OUT</sub> ≤ 1.9V: .5V ≤ V <sub>IN</sub> ≤ 8.0V		0.1	0.2	%/V
RR	Ripple Rejection	f=1kHz Ripple 0.5Vp-p I <sub>OUT</sub> = 80mA Set V <sub>OUT</sub> ≥ 1.8V, V <sub>IN</sub> -V <sub>OUT</sub> = 1.0V Set V <sub>OUT</sub> ≤ 1.7, V <sub>IN</sub> = 2.8V		60		dB
ΔV <sub>OUT</sub> /ΔT <sub>opt</sub>	Output Voltage Temperature Coefficient	I <sub>OUT</sub> = 30mA, V <sub>IN</sub> -V <sub>OUT</sub> = 1.0V -40°C ≤ T <sub>opt</sub> ≤ 85°C		±100		ppm/°C
I <sub>sc</sub>	Short Current Limit	Set V <sub>OUT</sub> ≤ 3.9V, V <sub>OUT</sub> = 0V		70		mA
		Set V <sub>OUT</sub> >4.0V, V <sub>OUT</sub> = 0V		50		
R <sub>PU</sub>	$\overline{\text{CE}}$ Pull-up Resistance		2.5	5.0	10.0	MΩ
V <sub>CEH</sub>	$\overline{\text{CE}}$ Input Voltage "H"	V <sub>IN</sub> =2.5V	1.5		V <sub>IN</sub>	V
V <sub>CEL</sub>	$\overline{\text{CE}}$ Input Voltage "L"	V <sub>IN</sub> =2.5V	0.00		0.25	V

## • R1130xxxxB

T<sub>opt</sub>=25°C

Symbol	Item	Conditions	Min.	Typ.	Max.	Unit
V <sub>IN</sub>	Input Voltage		2.5		8.0	V
I <sub>SS1</sub>	Supply Current 1	V <sub>IN</sub> -V <sub>OUT</sub> =1.0V, V <sub>IN</sub> =V <sub>CE</sub>		50	100	μA
I <sub>standby</sub>	Standby Current	V <sub>IN</sub> -V <sub>OUT</sub> =1.0V, V <sub>IN</sub> =GND		0.1		μA
V <sub>OUT</sub>	Output Voltage	V <sub>IN</sub> -V <sub>OUT</sub> =1.0V 1mA ≤ I <sub>OUT</sub> ≤ 80mA	V <sub>OUT</sub> × 0.980	Set V <sub>OUT</sub>	V <sub>OUT</sub> × 1.020	V
I <sub>OUT1</sub>	Output Current	Refer to the table of Input Voltage by Set Output Voltage	300			mA
ΔV <sub>OUT</sub> /ΔI <sub>OUT</sub>	Load Regulation	V <sub>IN</sub> -V <sub>OUT</sub> =1.0V 1mA ≤ I <sub>OUT</sub> ≤ 80mA		40	80	mV
V <sub>DIF</sub>	Dropout Voltage	I <sub>OUT</sub> =100mA	Refer to the Table of Dropout Voltage by Set Output Voltage			
ΔV <sub>OUT</sub> /ΔV <sub>IN</sub>	Line Regulation	I <sub>OUT</sub> =80mA, Set V <sub>OUT</sub> >2.0V: V <sub>OUT</sub> +0.5V ≤ V <sub>IN</sub> ≤ 8.0V Set V <sub>OUT</sub> ≤ 1.9V: 2.5V ≤ V <sub>IN</sub> ≤ 8.0V		0.1	0.2	%/V
RR	Ripple Rejection	f=1kHz Ripple 0.5Vp-p I <sub>OUT</sub> = 80mA Set V <sub>OUT</sub> ≥ 1.8V, V <sub>IN</sub> -V <sub>OUT</sub> = 1.0V Set V <sub>OUT</sub> ≤ 1.7, V <sub>IN</sub> = 2.8V		60		dB
ΔV <sub>OUT</sub> / ΔT <sub>opt</sub>	Output Voltage Temperature Coefficient	I <sub>OUT</sub> = 10mA, V <sub>IN</sub> -V <sub>OUT</sub> = 1.0V -40°C ≤ T <sub>opt</sub> ≤ 85°C		±100		ppm /°C
I <sub>sc</sub>	Short Current Limit	Set V <sub>OUT</sub> ≤ 3.9V, V <sub>OUT</sub> = 0V Set V <sub>OUT</sub> ≥ 4.0V, V <sub>OUT</sub> = 0V		70 50		mA
R <sub>PU</sub>	Pull-down Resistance for CE pin		2.5	5.0	10.0	MΩ
V <sub>CEH</sub>	CE Input Voltage "H"	V <sub>IN</sub> =2.5V	1.5		V <sub>IN</sub>	V
V <sub>CEL</sub>	CE Input Voltage "L"	V <sub>IN</sub> =2.5V	0.00		0.25	V

• Dropout Voltage by Set Output Voltage

T<sub>opt</sub> = 25°C

Output Voltage V <sub>OUT</sub> (V)	Dropout Voltage	
	V <sub>DIF</sub> (V)	
	Typ.	Max.
V <sub>OUT</sub> = 1.5	1.00	1.05
V <sub>OUT</sub> = 1.6	0.90	0.95
V <sub>OUT</sub> = 1.7	0.80	0.85
V <sub>OUT</sub> = 1.8	0.70	0.75
V <sub>OUT</sub> = 1.9	0.60	0.65
V <sub>OUT</sub> = 2.0	0.50	0.60
V <sub>OUT</sub> = 2.1	0.40	0.55
2.2 ≤ V <sub>OUT</sub> ≤ 2.5	0.30	0.49
2.6 ≤ V <sub>OUT</sub> ≤ 3.3	0.25	0.34
3.4 ≤ V <sub>OUT</sub> ≤ 5.0	0.20	0.28

Dropout Voltage by Set Output Voltage

T<sub>opt</sub> = 25°C

Output Voltage V <sub>OUT</sub> (V)	Input Voltage (V)
1.5 ≤ V <sub>OUT</sub> ≤ 1.9	V <sub>IN</sub> =V <sub>OUT</sub> +1.5V
2.0 ≤ V <sub>OUT</sub> ≤ 2.7	V <sub>IN</sub> =V <sub>OUT</sub> +1.3V
2.8 ≤ V <sub>OUT</sub> ≤ 5.0	V <sub>IN</sub> =V <sub>OUT</sub> +1.0V

• R1130xxxxC

T<sub>opt</sub>=25°C

Symbol	Item	Conditions	Min.	Typ.	Max.	Unit
V <sub>IN</sub>	Input Voltage		2.5		8.0	V
I <sub>SS1</sub>	Supply Current	V <sub>IN</sub> -V <sub>OUT</sub> =1.0V, V <sub>IN</sub> =V <sub>CE</sub>		50	100	μA
I <sub>standby</sub>	Standby Current	V <sub>IN</sub> -V <sub>OUT</sub> =1.0V, V <sub>IN</sub> =GND		0.1	1.0	μA
V <sub>OUT</sub>	Reference Voltage for Adjustable Voltage Regulator	V <sub>OUT</sub> =V <sub>ADJ</sub> , V <sub>IN</sub> -V <sub>OUT</sub> =1.0V I <sub>OUT</sub> =80mA	1.764	1.800	1.836	V
I <sub>OUT1</sub>	Output Current	V <sub>OUT</sub> =V <sub>ADJ</sub> , V <sub>IN</sub> -V <sub>OUT</sub> =1.5V	300			mA
ΔV <sub>OUT</sub> /ΔI <sub>OUT</sub>	Load Regulation	V <sub>IN</sub> =2.5V, V <sub>OUT</sub> =V <sub>ADJ</sub> 1mA ≤ I <sub>OUT</sub> ≤ 80mA		40	80	mV
V <sub>DIF</sub>	Dropout Voltage	I <sub>OUT</sub> =100mA, V <sub>OUT</sub> =V <sub>ADJ</sub>		0.1	0.2	V
ΔV <sub>OUT</sub> /ΔV <sub>IN</sub>	Line Regulation	I <sub>OUT</sub> =80mA, V <sub>OUT</sub> =V <sub>ADJ</sub> 2.5V ≤ V <sub>IN</sub> ≤ 8.0V		0.1	0.2	%/V
RR	Ripple Rejection	f=1kHz Ripple 0.5Vp-p I <sub>OUT</sub> = 80mA, V <sub>IN</sub> -V <sub>OUT</sub> = 1.0V V <sub>OUT</sub> =V <sub>ADJ</sub> , I <sub>OUT</sub> =80mA		60		dB
ΔV <sub>OUT</sub> /ΔT <sub>opt</sub>	Output Voltage Temperature Coefficient	I <sub>OUT</sub> = 10mA, V <sub>IN</sub> -V <sub>OUT</sub> = 1.0V -40°C ≤ T <sub>opt</sub> ≤ 85°C		±100		ppm/°C
I <sub>sc</sub>	Short Current Limit	V <sub>OUT</sub> = 0V		70		mA
R <sub>PU</sub>	Pull-down Resistance for CE pin		2.5	5.0	10.0	MΩ
V <sub>CEH</sub>	CE Input Voltage "H"	V <sub>IN</sub> =2.5V	1.5		V <sub>IN</sub>	V
V <sub>CEL</sub>	CE Input Voltage "L"	V <sub>IN</sub> =2.5V	0.00		0.25	V



## TEST CIRCUITS (Pin number is applied to R1130H Series)

- R1130HxxxA

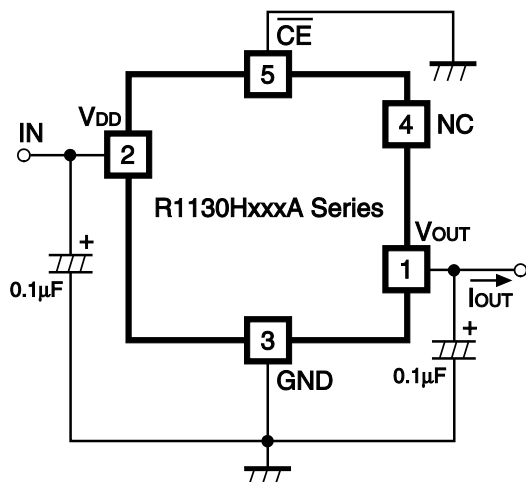


Fig.1 Standard test Circuit

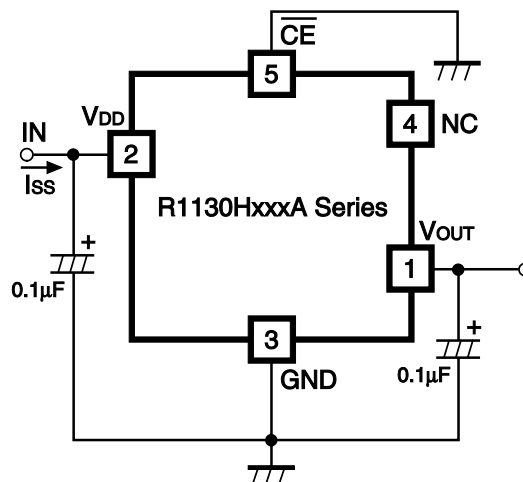


Fig.2 Supply Current Test Circuit

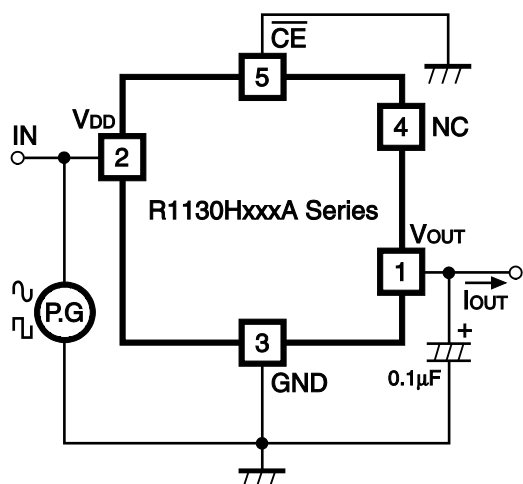


Fig.3 Ripple Rejection, Line Transient Response Test Circuit

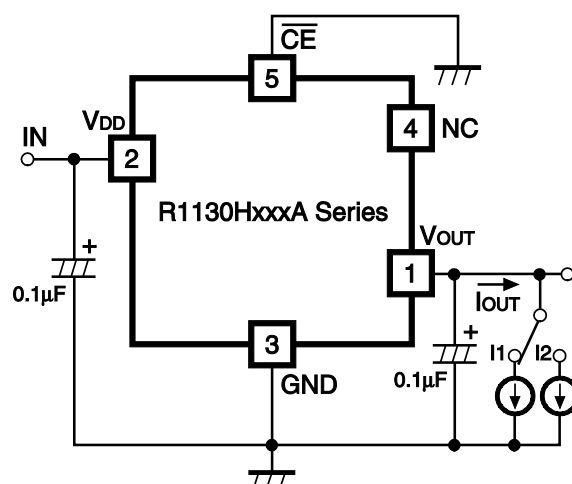


Fig.4 Load Transient Response Test Circuit

• R1130HxxxB

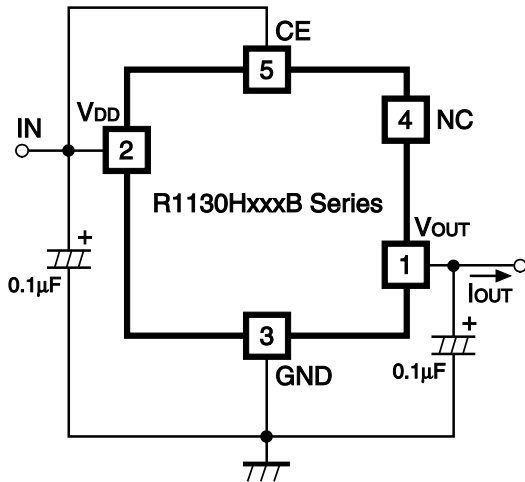


Fig.1 Standard test Circuit

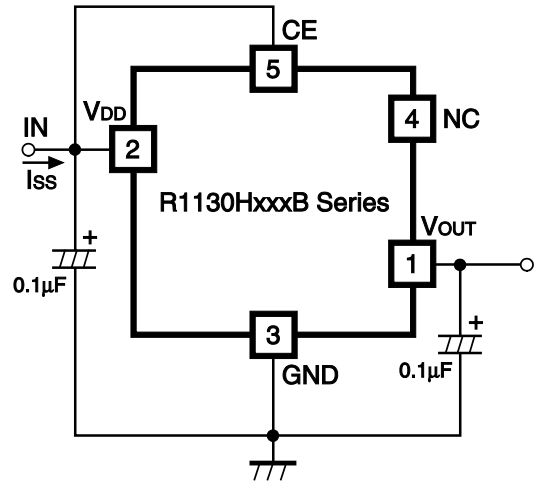


Fig.2 Supply Current Test Circuit

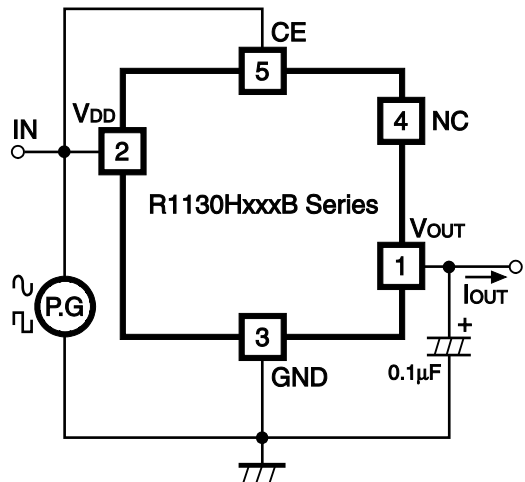


Fig.3 Test Circuit for Ripple Rejection and Input Transient Response

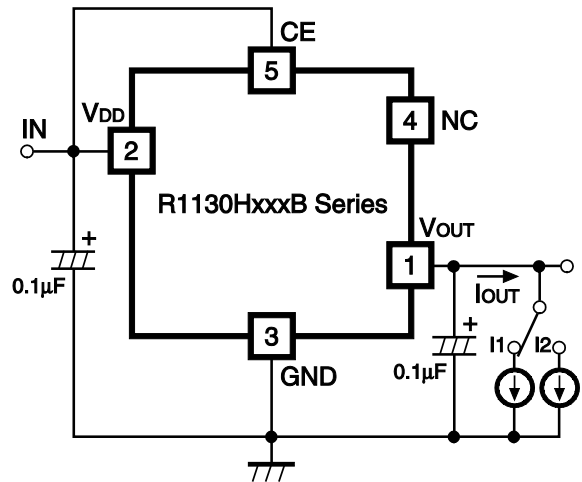


Fig.4 Test Circuit for Load Transient Response

• R1130H001C

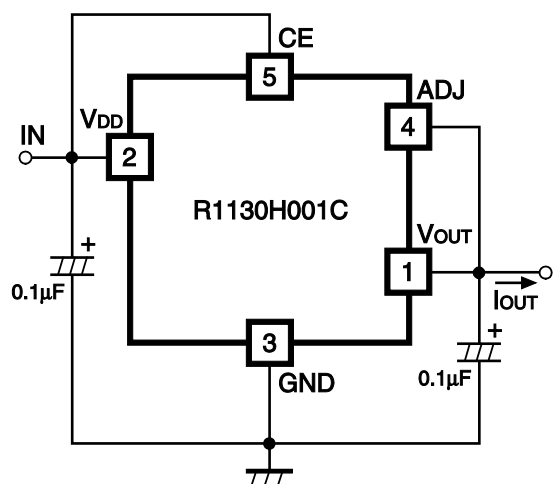


Fig.1 Standard test Circuit

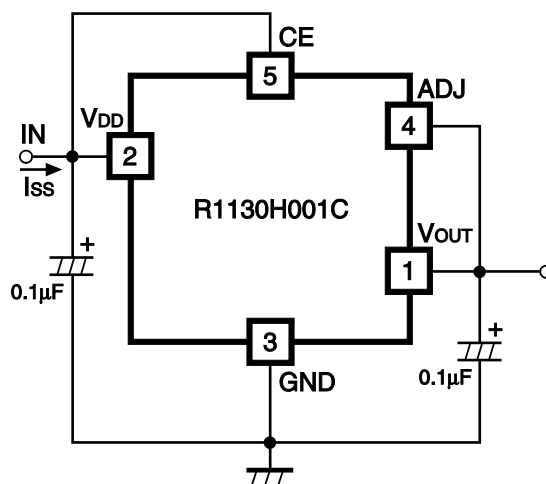


Fig.2 Test Circuit Supply Current

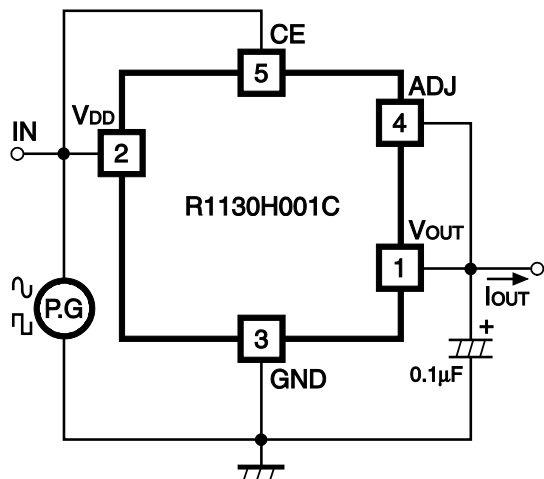


Fig.3 Test Circuit for Ripple Rejection and Input Transient Response

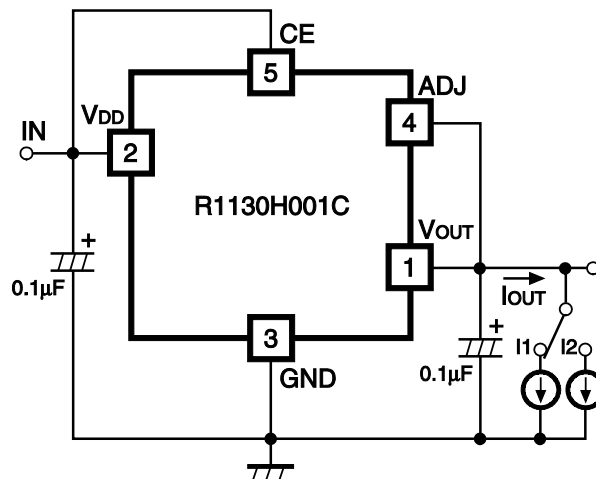
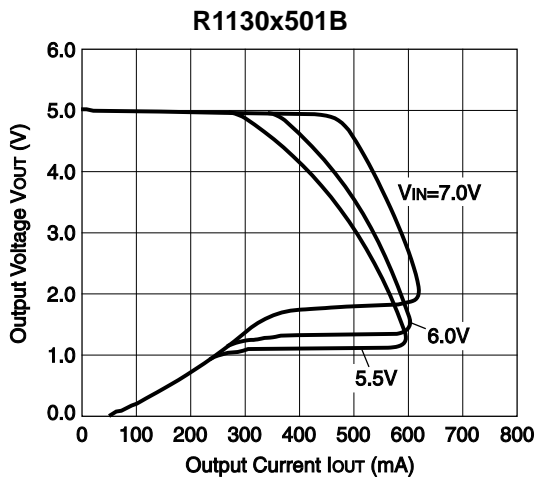
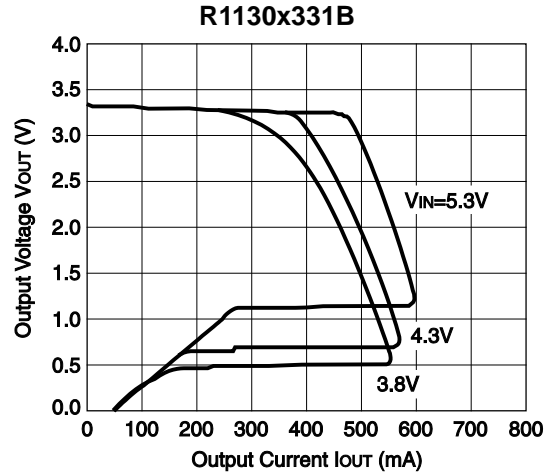
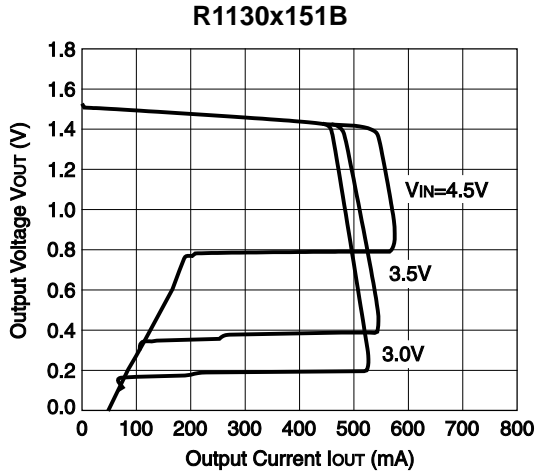


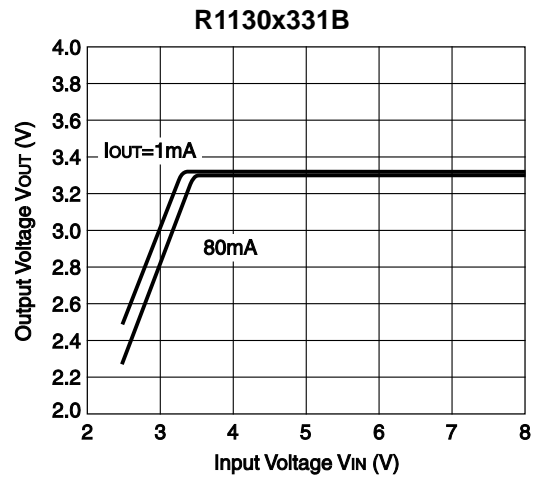
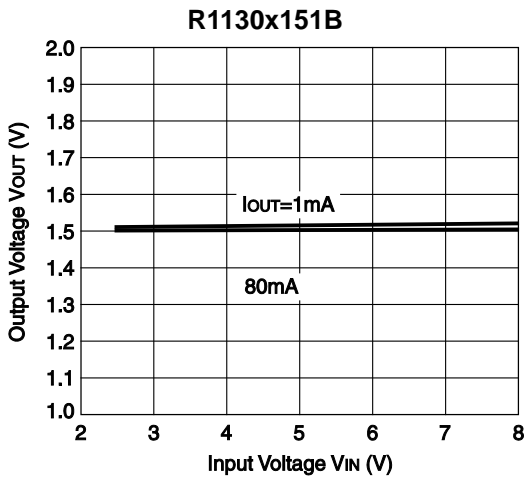
Fig.4 Test Circuit for Load Transient Response

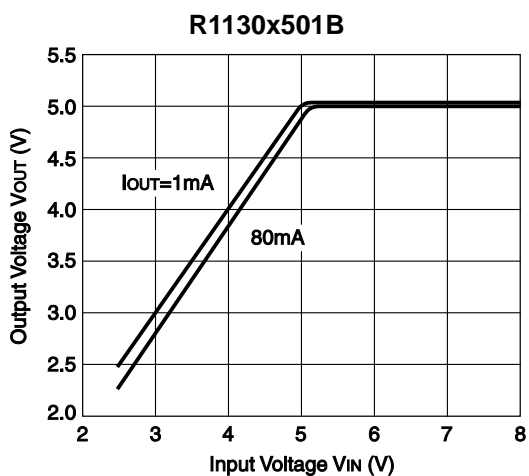
## TYPICAL CHARACTERISTICS

1) Output Voltage vs. Output Current (Topt=25°C)

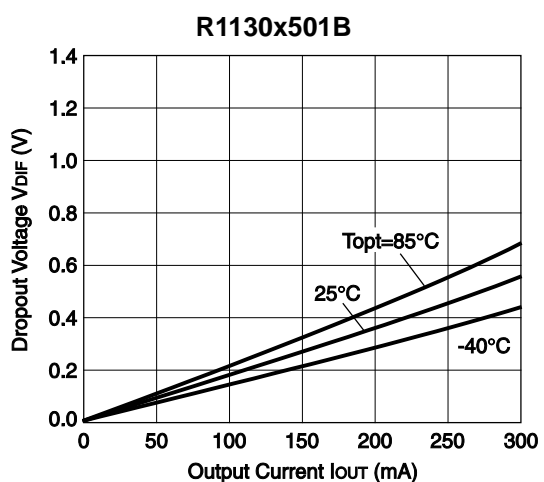
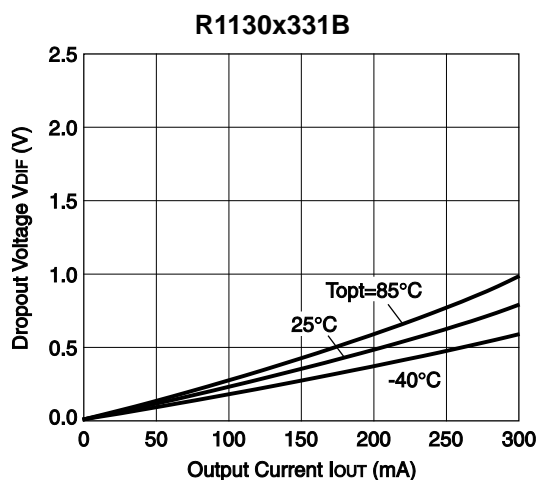
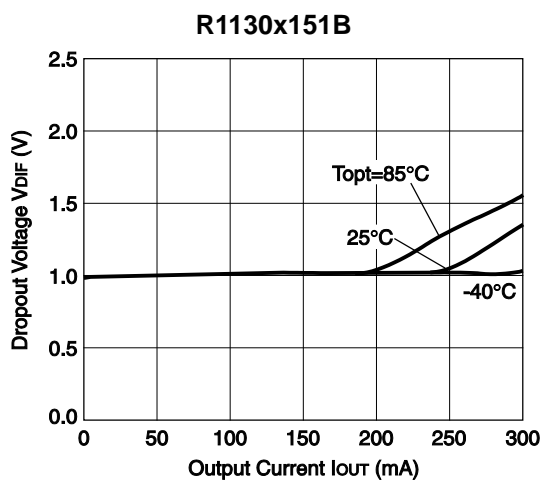


2) Input Voltage vs. Output Voltage (Topt=25°C)





3) Dropout Voltage vs. Output Current

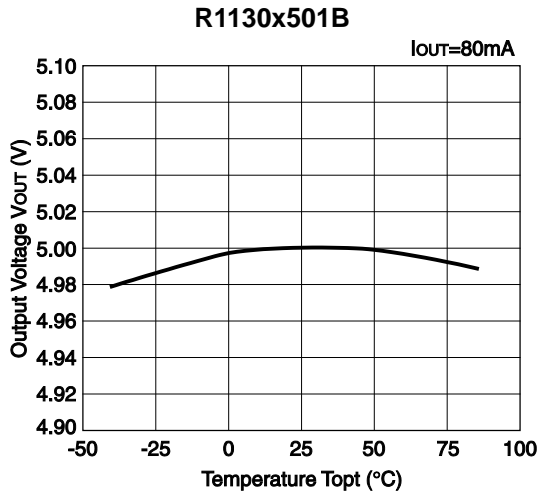
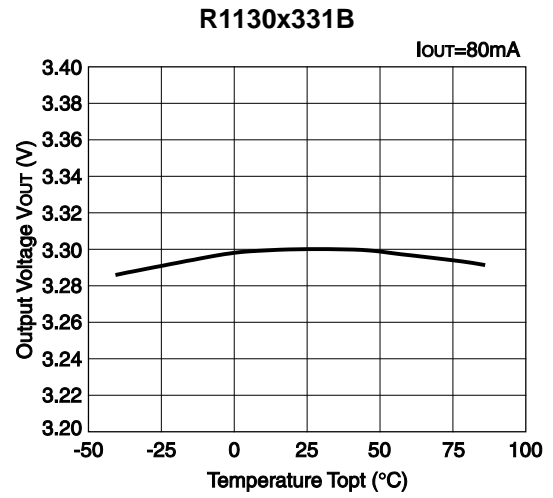
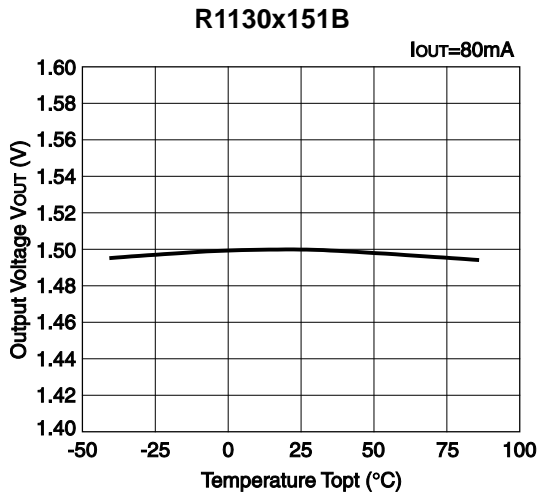


---

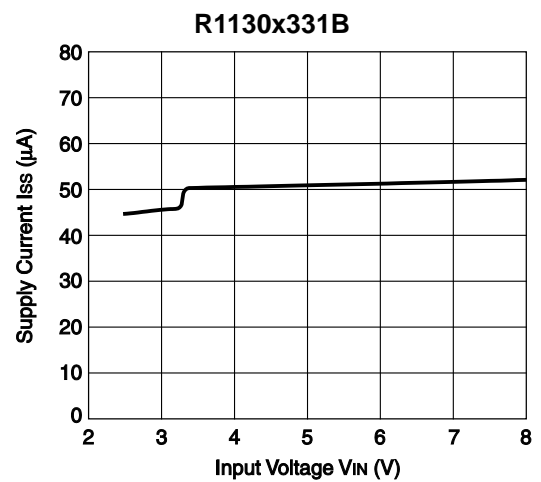
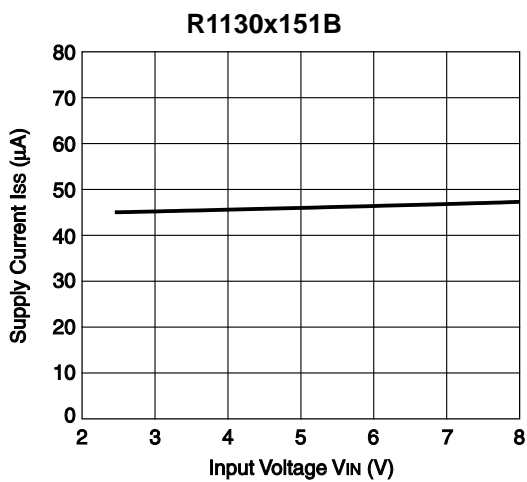
## R1130x

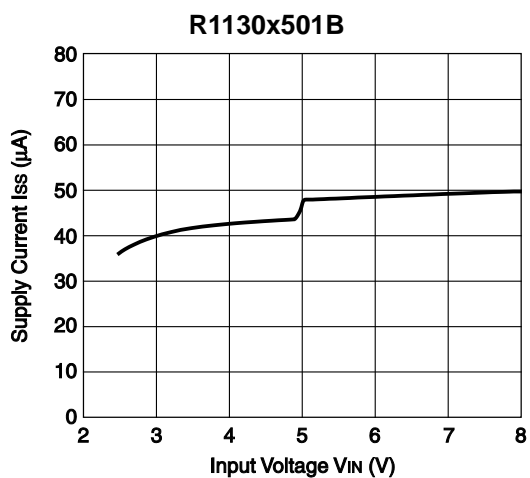
---

### 4) Output Voltage vs. Temperature

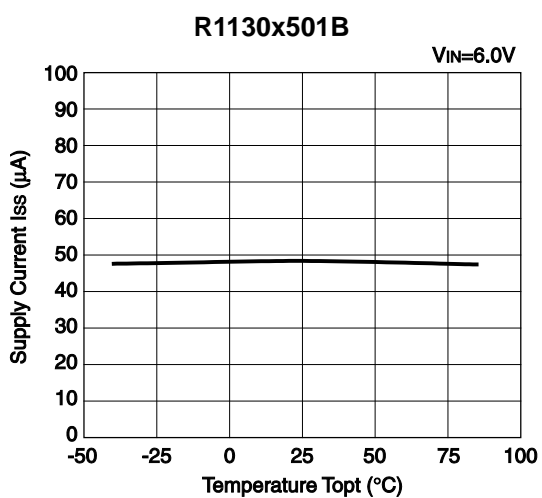
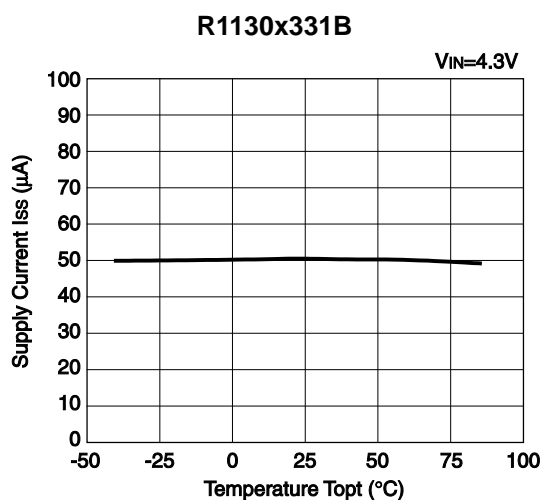
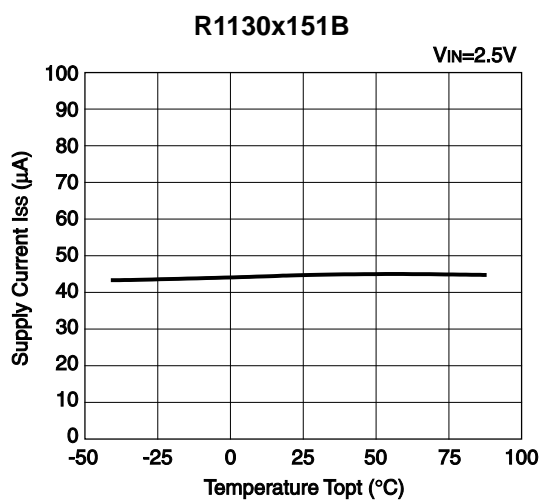


### 5) Supply Current vs. Input Voltage (T<sub>opt</sub>=25°C)



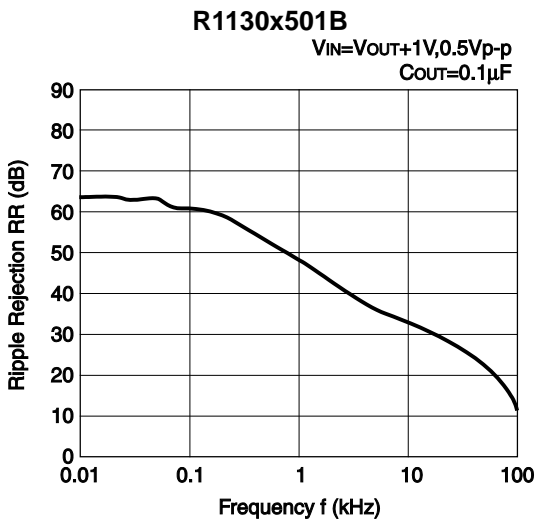
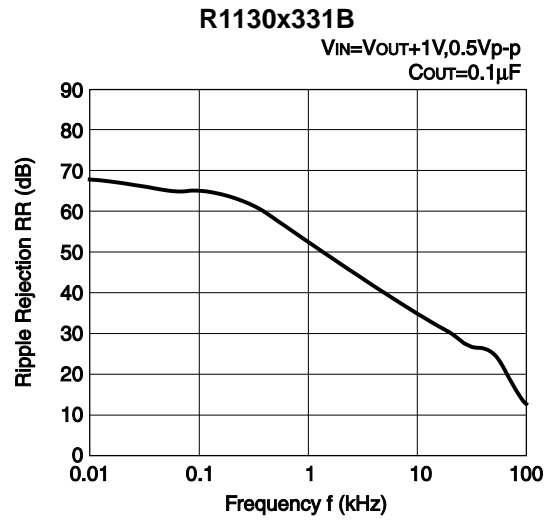
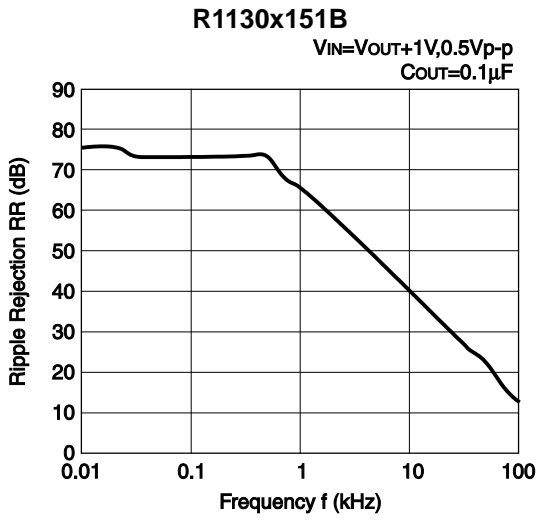


6) Supply Current vs. Temperature

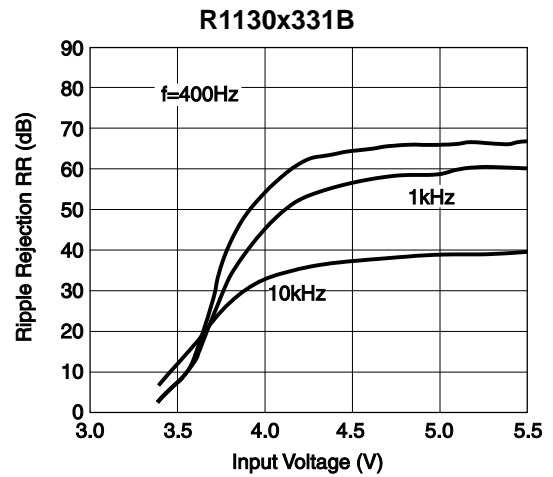
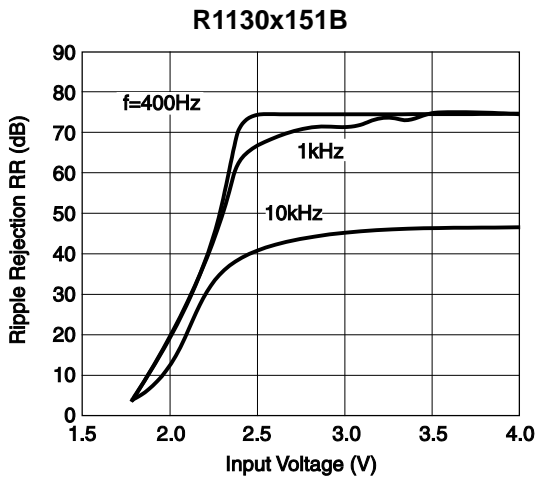


# R1130x

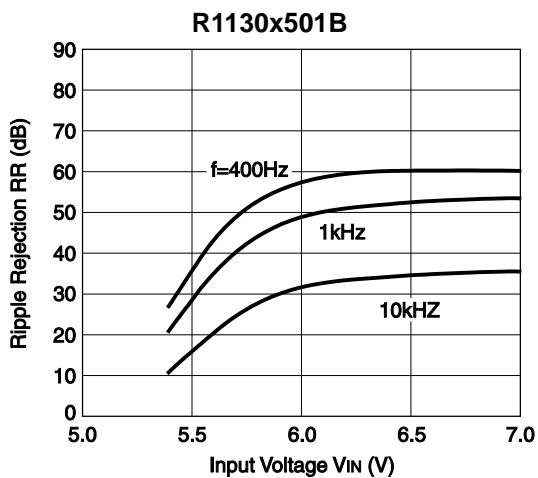
## 7) Ripple Rejection vs. Frequency



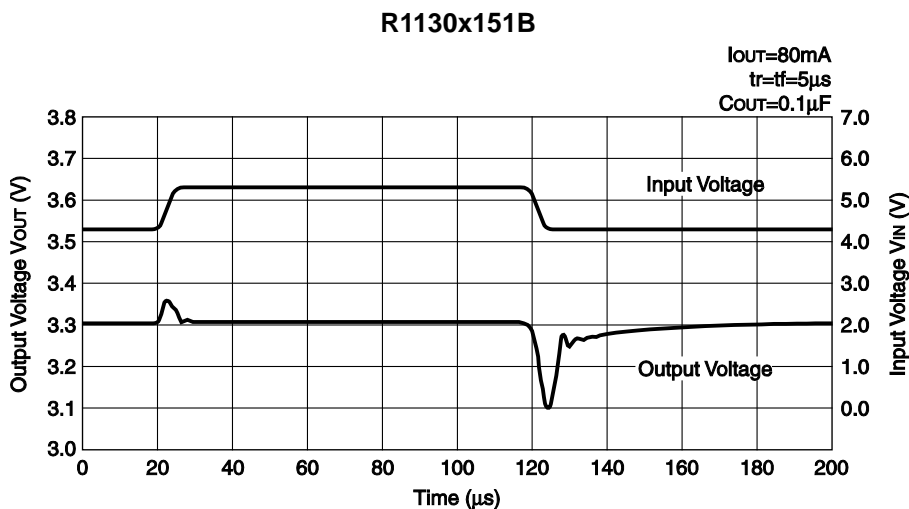
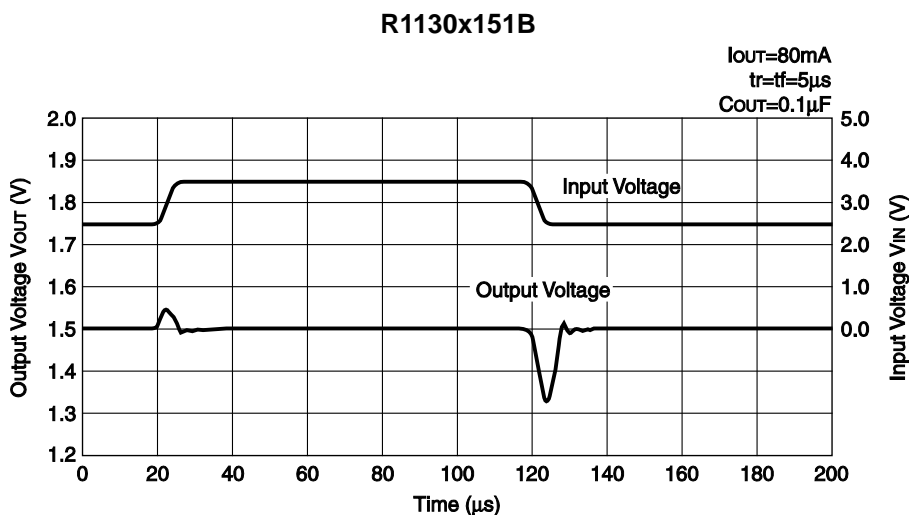
## 8) Ripple Rejection vs. Input Voltage



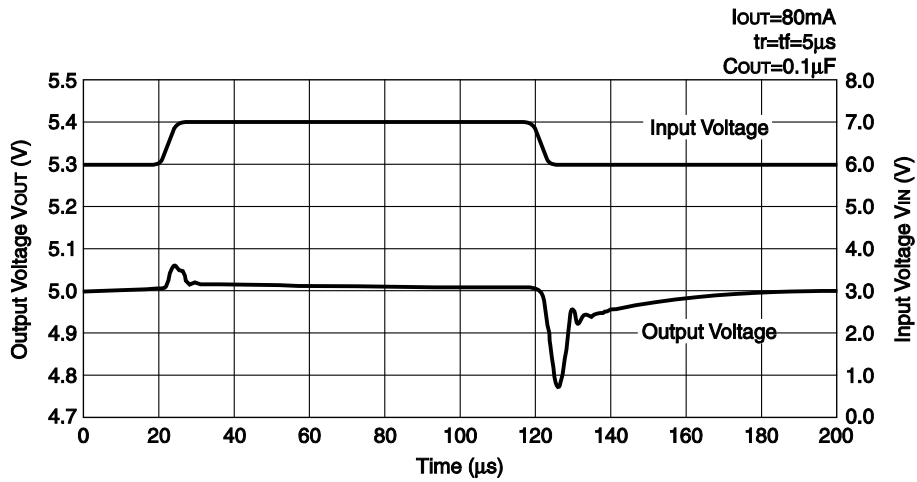




9) Input Transient Response

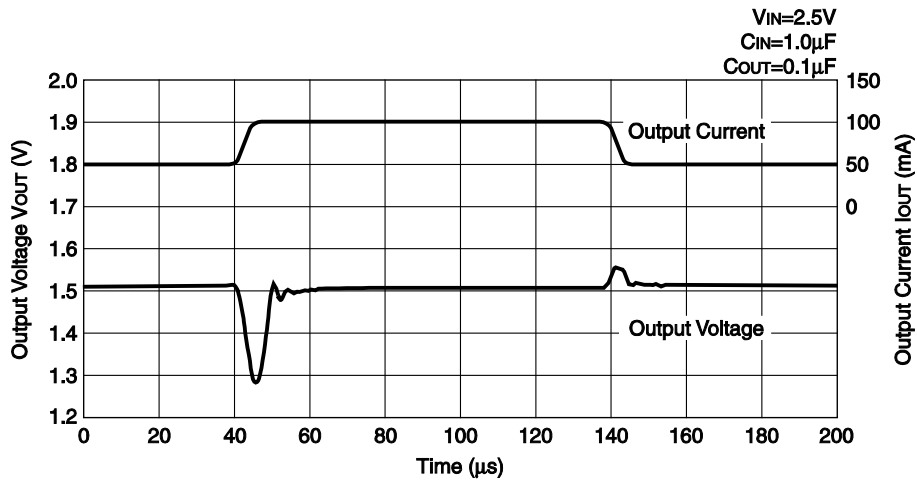


R1130x501B

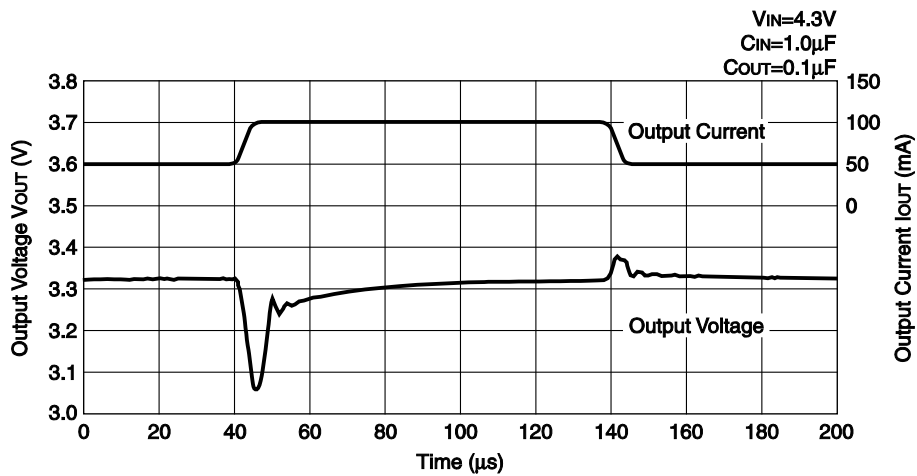


10) Load Transient Response

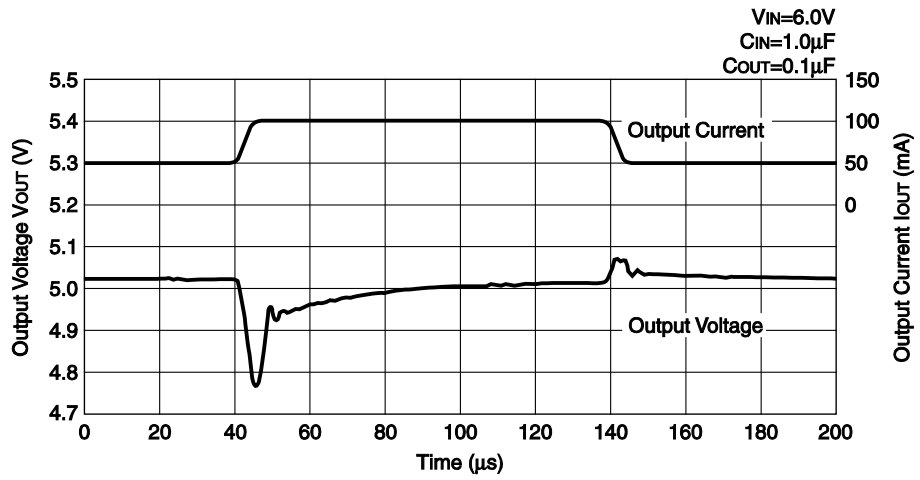
R1130x151B



R1130x331B



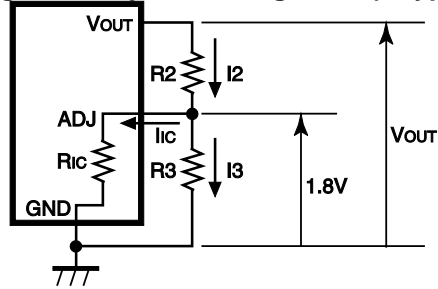
R1130x501B



APPENDIX

\* Technical Notes on Output Voltage Setting of C type

Figure 1. Adjustable Regulator (C type)



The Output Voltage of Regulator in R1130xxxxC may be adjustable for any output voltage between its 1.8V reference and its V<sub>DD</sub> setting level. An external pair of resistors is required, as shown in Figure 1.

The complete equation for the output voltage is described step by step as follows;

$$I_2 = I_{ic} + I_3 \quad \dots\dots\dots (1)$$

$$I_3 = 1.8/R_3 \quad \dots\dots\dots (2)$$

Thus,

$$I_2 = I_{ic} + 1.8/R_3 \quad \dots\dots\dots (3)$$

Therefore,

$$V_{OUT} = 1.8 + R_2 \times I_2 \quad \dots\dots\dots (4)$$

Put Equation (3) into Equation (4), then

$$\begin{aligned} V_{OUT} &= 1.8 + R_2 \times (I_{ic} + 1.8/R_3) \\ &= 1.8 \times (1 + R_2/R_3) + R_2 \times I_{ic} \quad \dots\dots\dots (5) \end{aligned}$$

In 2nd term, or  $R_2 \times I_{ic}$  will produce an error in  $V_{OUT}$ .

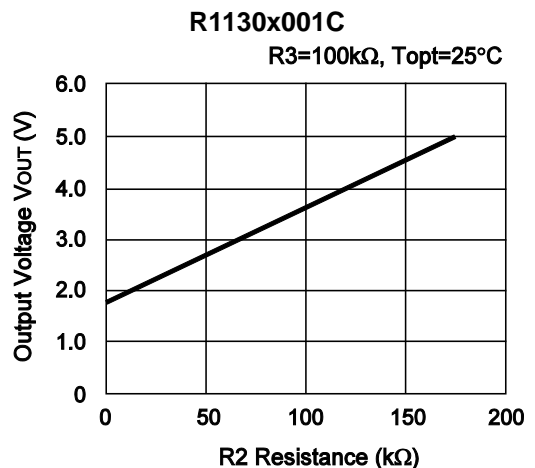
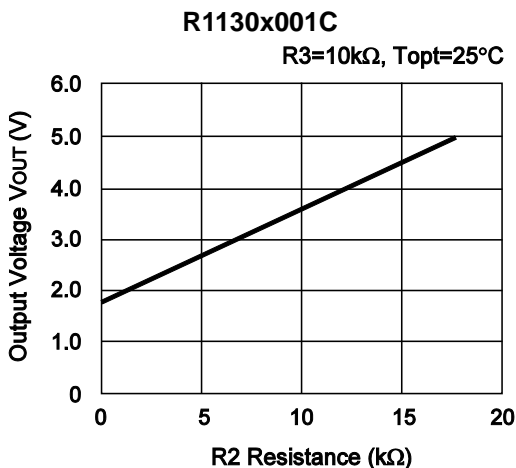
In Equation (5),

$$I_{ic} = 1.8/R_{ic} \quad \dots\dots\dots (6)$$

$$\begin{aligned} R_2 \times I_{ic} &= R_2 \times 1.8/R_{ic} \\ &= 1.8 \times R_2/R_{ic} \quad \dots\dots\dots (7) \end{aligned}$$

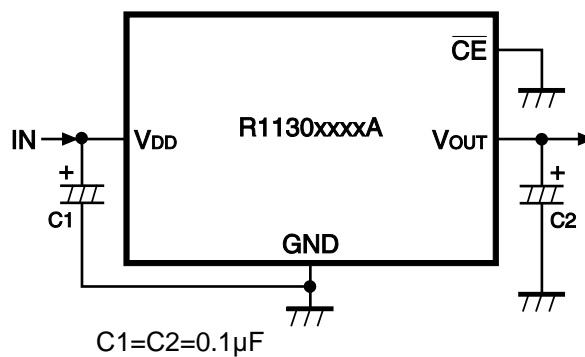
For better accuracy, choosing  $R_2 \ll R_{ic}$  reduces this error.

\* Adjustable Resistor Dependence of Output Voltage

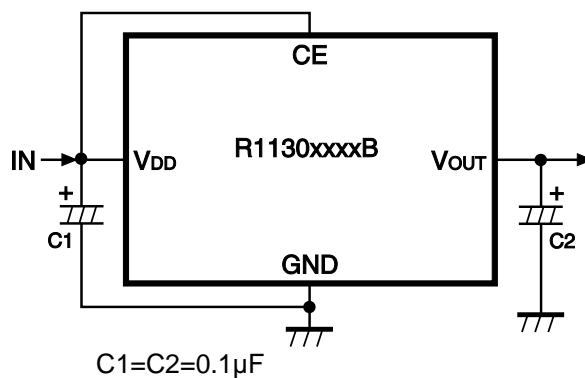


## TYPICAL APPLICATION

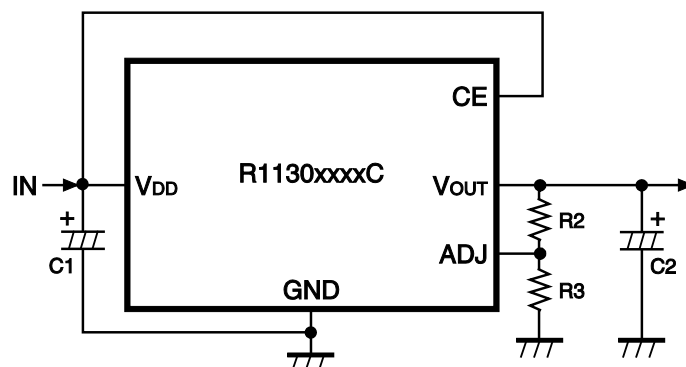
R1130xxxxA



R1130xxxxB



R1130xxxxC





1. The products and the product specifications described in this document are subject to change or discontinuation of production without notice for reasons such as improvement. Therefore, before deciding to use the products, please refer to Ricoh sales representatives for the latest information thereon.
2. The materials in this document may not be copied or otherwise reproduced in whole or in part without prior written consent of Ricoh.
3. Please be sure to take any necessary formalities under relevant laws or regulations before exporting or otherwise taking out of your country the products or the technical information described herein.
4. The technical information described in this document shows typical characteristics of and example application circuits for the products. The release of such information is not to be construed as a warranty of or a grant of license under Ricoh's or any third party's intellectual property rights or any other rights.
5. The products listed in this document are intended and designed for use as general electronic components in standard applications (office equipment, telecommunication equipment, measuring instruments, consumer electronic products, amusement equipment etc.). Those customers intending to use a product in an application requiring extreme quality and reliability, for example, in a highly specific application where the failure or misoperation of the product could result in human injury or death (aircraft, spacevehicle, nuclear reactor control system, traffic control system, automotive and transportation equipment, combustion equipment, safety devices, life support system etc.) should first contact us.
6. We are making our continuous effort to improve the quality and reliability of our products, but semiconductor products are likely to fail with certain probability. In order to prevent any injury to persons or damages to property resulting from such failure, customers should be careful enough to incorporate safety measures in their design, such as redundancy feature, fire containment feature and fail-safe feature. We do not assume any liability or responsibility for any loss or damage arising from misuse or inappropriate use of the products.
7. Anti-radiation design is not implemented in the products described in this document.
8. Please contact Ricoh sales representatives should you have any questions or comments concerning the products or the technical information.



**Ricoh is committed to reducing the environmental loading materials in electrical devices with a view to contributing to the protection of human health and the environment.**

Ricoh has been providing RoHS compliant products since April 1, 2006 and Halogen-free products since April 1, 2012.

**RICOH** RICOH ELECTRONIC DEVICES CO., LTD.

<http://www.e-devices.ricoh.co.jp/en/>

#### Sales & Support Offices

##### **RICOH ELECTRONIC DEVICES CO., LTD.**

**Higashi-Shinagawa Office (International Sales)**  
3-32-3, Higashi-Shinagawa, Shinagawa-ku, Tokyo 140-8655, Japan  
Phone: +81-3-5479-2857 Fax: +81-3-5479-0502

##### **RICOH EUROPE (NETHERLANDS) B.V.**

**Semiconductor Support Centre**  
Prof. W.H. Keesomlaan 1, 1183 DJ Amstelveen, The Netherlands  
Phone: +31-20-5474-309

##### **RICOH ELECTRONIC DEVICES KOREA CO., LTD.**

3F, Haesung Bldg. 504, Teheran-ro, Gangnam-gu, Seoul, 135-725, Korea  
Phone: +82-2-2135-5700 Fax: +82-2-2051-5713

##### **RICOH ELECTRONIC DEVICES SHANGHAI CO., LTD.**

Room 403, No.2 Building, No.690 Bilbo Road, Pu Dong New District, Shanghai 201203,  
People's Republic of China  
Phone: +86-21-5027-3200 Fax: +86-21-5027-3299

##### **RICOH ELECTRONIC DEVICES CO., LTD.**

**Taipei office**  
Room 109, 10F-1, No.51, Hengyang Rd., Taipei City, Taiwan (R.O.C.)  
Phone: +886-2-2313-1621/1622 Fax: +886-2-2313-1623

# Mouser Electronics

Authorized Distributor

Click to View Pricing, Inventory, Delivery & Lifecycle Information:

## Ricoh Electronics:

[R1130H151A-T1-FE](#) [R1130H181B-T1-FE](#) [R1130H301B-T1-FE](#) [R1130H331A-T1-FE](#) [R1130H281A-T1-FE](#)  
[R1130H501A-T1-FE](#) [R1130H351A-T1-FE](#) [R1130H151B-T1-FE](#)

Компания «Океан Электроники» предлагает заключение долгосрочных отношений при поставках импортных электронных компонентов на взаимовыгодных условиях!

Наши преимущества:

- Поставка оригинальных импортных электронных компонентов напрямую с производств Америки, Европы и Азии, а так же с крупнейших складов мира;
- Широкая линейка поставок активных и пассивных импортных электронных компонентов (более 30 млн. наименований);
- Поставка сложных, дефицитных, либо снятых с производства позиций;
- Оперативные сроки поставки под заказ (от 5 рабочих дней);
- Экспресс доставка в любую точку России;
- Помощь Конструкторского Отдела и консультации квалифицированных инженеров;
- Техническая поддержка проекта, помощь в подборе аналогов, поставка прототипов;
- Поставка электронных компонентов под контролем ВП;
- Система менеджмента качества сертифицирована по Международному стандарту ISO 9001;
- При необходимости вся продукция военного и аэрокосмического назначения проходит испытания и сертификацию в лаборатории (по согласованию с заказчиком);
- Поставка специализированных компонентов военного и аэрокосмического уровня качества (Xilinx, Altera, Analog Devices, Intersil, Interpoint, Microsemi, Actel, Aeroflex, Peregrine, VPT, Syfer, Eurofarad, Texas Instruments, MS Kennedy, Miteq, Cobham, E2V, MA-COM, Hittite, Mini-Circuits, General Dynamics и др.);

Компания «Океан Электроники» является официальным дистрибьютором и эксклюзивным представителем в России одного из крупнейших производителей разъемов военного и аэрокосмического назначения «JONHON», а так же официальным дистрибьютором и эксклюзивным представителем в России производителя высокотехнологичных и надежных решений для передачи СВЧ сигналов «FORSTAR».



## JONHON

«JONHON» (основан в 1970 г.)

Разъемы специального, военного и аэрокосмического назначения:

(Применяются в военной, авиационной, аэрокосмической, морской, железнодорожной, горно- и нефтедобывающей отраслях промышленности)

«FORSTAR» (основан в 1998 г.)

ВЧ соединители, коаксиальные кабели, кабельные сборки и микроволновые компоненты:

(Применяются в телекоммуникациях гражданского и специального назначения, в средствах связи, РЛС, а так же военной, авиационной и аэрокосмической отраслях промышленности).



Телефон: 8 (812) 309-75-97 (многоканальный)

Факс: 8 (812) 320-03-32

Электронная почта: [ocean@oceanchips.ru](mailto:ocean@oceanchips.ru)

Web: <http://oceanchips.ru/>

Адрес: 198099, г. Санкт-Петербург, ул. Калинина, д. 2, корп. 4, лит. А