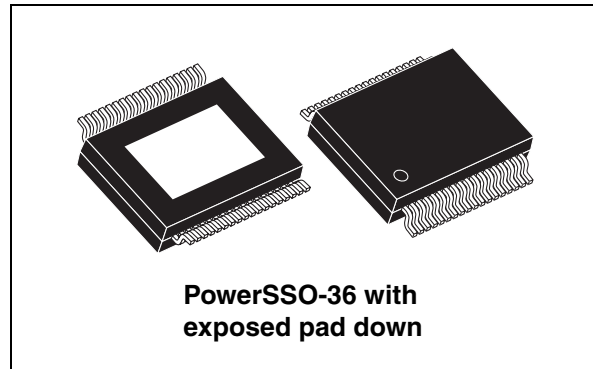


2 x 5-watt dual BTL class-D audio amplifier

Features

- 5 W + 5 W continuous output power:
 $R_L = 8 \Omega$, THD = 10% at $V_{CC} = 9 \text{ V}$
- 5 W + 5 W continuous output power:
 $R_L = 4 \Omega$, THD = 10% at $V_{CC} = 6.6 \text{ V}$
- Wide range single supply operation (5 V - 14 V)
- High efficiency ($\eta = 90\%$)
- Four selectable, fixed gain settings of nominally 20 dB, 26 dB, 30 dB and 32 dB
- Differential inputs minimize common-mode noise
- Filterless operation
- No 'pop' at turn-on/off
- Standby and mute features
- Short-circuit protection
- Thermal overload protection
- Externally synchronizable



Description

The TDA7491LP is a dual BTL class-D audio amplifier with single power supply designed for LCD TVs and monitors.

Thanks to the high efficiency and exposed-pad-down (EPD) package no separate heatsink is required.

Furthermore, the filterless operation allows a reduction in the external component count.

The TDA7491LP is pin-to-pin compatible with the TDA7491P and TDA7491HV.

Table 1. Device summary

Order code	Operating temperature	Package	Packaging
TDA7491LP	-40 to 85 °C	PowerSSO-36 EPD	Tube
TDA7491LP13TR	-40 to 85 °C	PowerSSO-36 EPD	Tape and reel

Contents

- 1 Device block diagram 6**
- 2 Pin description 7**
 - 2.1 Pin out 7
 - 2.2 Pin list 8
- 3 Electrical specifications 9**
 - 3.1 Absolute maximum ratings 9
 - 3.2 Thermal data 9
 - 3.3 Electrical specifications 10
- 4 Characterization curves 12**
 - 4.1 With 4-Ω load at $V_{CC} = 6.6\text{ V}$ 12
 - 4.2 With 8-Ω load at $V_{CC} = 9\text{ V}$ 19
- 5 Applications information 24**
 - 5.1 Applications circuit 24
 - 5.2 Mode selection 25
 - 5.3 Gain setting 26
 - 5.4 Input resistance and capacitance 26
 - 5.5 Internal and external clocks 27
 - 5.5.1 Master mode (internal clock) 27
 - 5.5.2 Slave mode (external clock) 27
 - 5.6 Modulation 28
 - 5.6.1 Reconstruction low-pass filter 29
 - 5.6.2 Filterless modulation 29
 - 5.7 Protection functions 31
 - 5.8 Diagnostic output 31
 - 5.9 Heatsink requirements 32
 - 5.10 Test board 33
- 6 Package mechanical data 34**

7 Revision history 36

List of tables

Table 1.	Device summary	1
Table 2.	Pin description list	8
Table 3.	Absolute maximum ratings	9
Table 4.	Thermal data	9
Table 5.	Electrical specifications	10
Table 6.	Mode settings	25
Table 7.	Gain settings	26
Table 8.	How to set up SYNCLK	27
Table 9.	PowerSSO-36 EPD dimensions	34
Table 10.	Document revision history	36

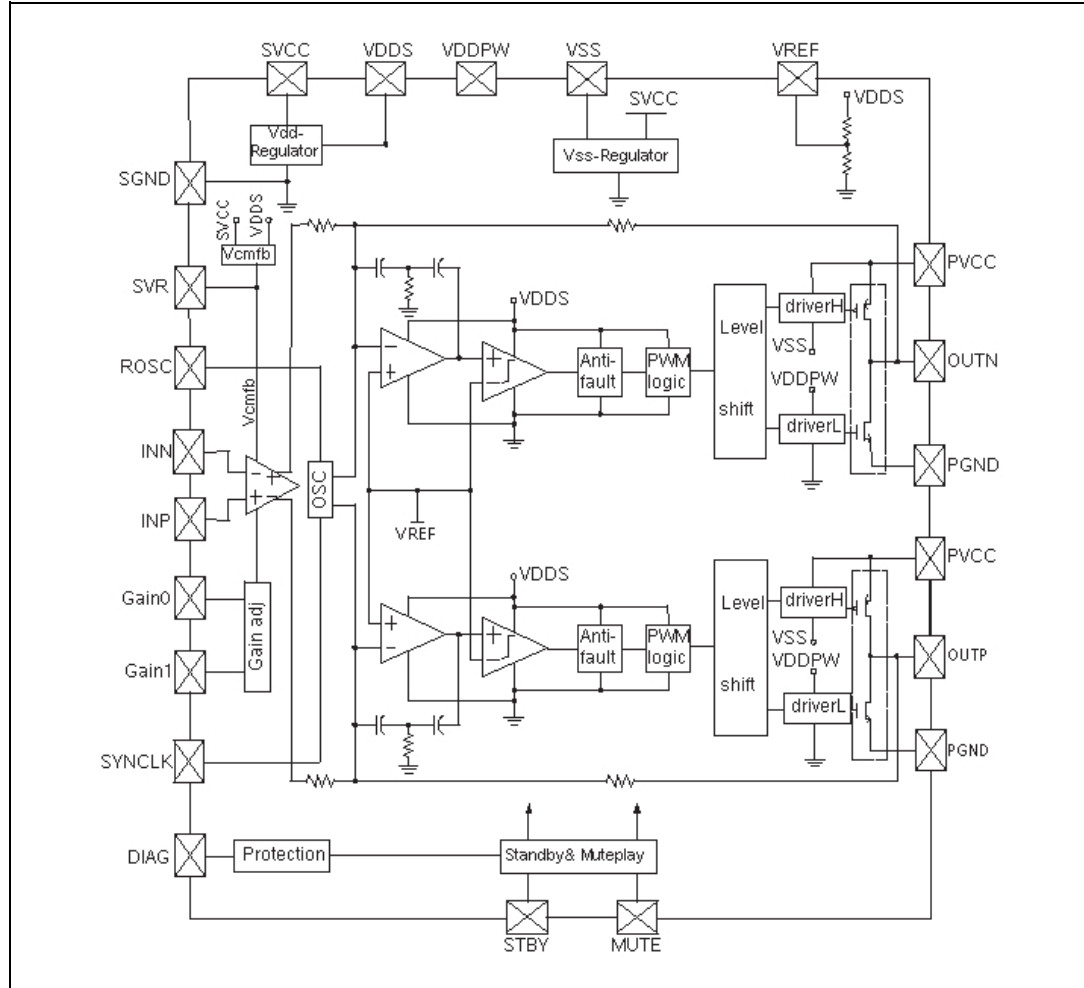
List of figures

Figure 1.	Internal block diagram (one channel only)	6
Figure 2.	Pin connection (top view, PCB view)	7
Figure 3.	Output power vs. supply voltage	12
Figure 4.	THD vs. output power (1 kHz)	12
Figure 5.	THD vs. output power (100 Hz)	13
Figure 6.	THD vs. frequency	13
Figure 7.	Frequency response	14
Figure 8.	Crosstalk vs. frequency	14
Figure 9.	FFT (0 dB)	15
Figure 10.	FFT (-60 dB)	15
Figure 11.	Power supply rejection ratio vs. frequency	16
Figure 12.	Power dissipation and efficiency vs. output power	16
Figure 13.	Attenuation vs. voltage on pin MUTE	17
Figure 14.	Current consumption vs. voltage on pin STBY	17
Figure 15.	Attenuation vs. voltage on pin STBY	18
Figure 16.	Output power vs. supply voltage	19
Figure 17.	THD vs. output power (1 kHz)	19
Figure 18.	THD vs. output power (100 Hz)	20
Figure 19.	THD vs. frequency	20
Figure 20.	Frequency response	21
Figure 21.	Crosstalk vs. frequency	21
Figure 22.	FFT (0 dB)	22
Figure 23.	FFT (-60 dB)	22
Figure 24.	Power supply rejection ratio vs. frequency	23
Figure 25.	Power dissipation and efficiency vs. output power	23
Figure 26.	Applications circuit for class-D amplifier	24
Figure 27.	Standby and mute circuits	25
Figure 28.	Turn-on/off sequence for minimizing speaker “pop”	25
Figure 29.	Device input circuit and frequency response	26
Figure 30.	Master and slave connection	27
Figure 31.	Unipolar PWM output	28
Figure 32.	Typical LC filter for an 8-Ω speaker	29
Figure 33.	Typical LC filter for a 4-Ω speaker	29
Figure 34.	Filterless application schematic	30
Figure 35.	Behavior of pin DIAG for various protection conditions	31
Figure 36.	Power derating curves for PCB used as heatsink	32
Figure 37.	Test board (TDA7491LP) layout	33
Figure 38.	PowerSSO-36 EPD outline drawing	35

1 Device block diagram

Figure 1 shows the block diagram of one of the two identical channels of the TDA7491LP.

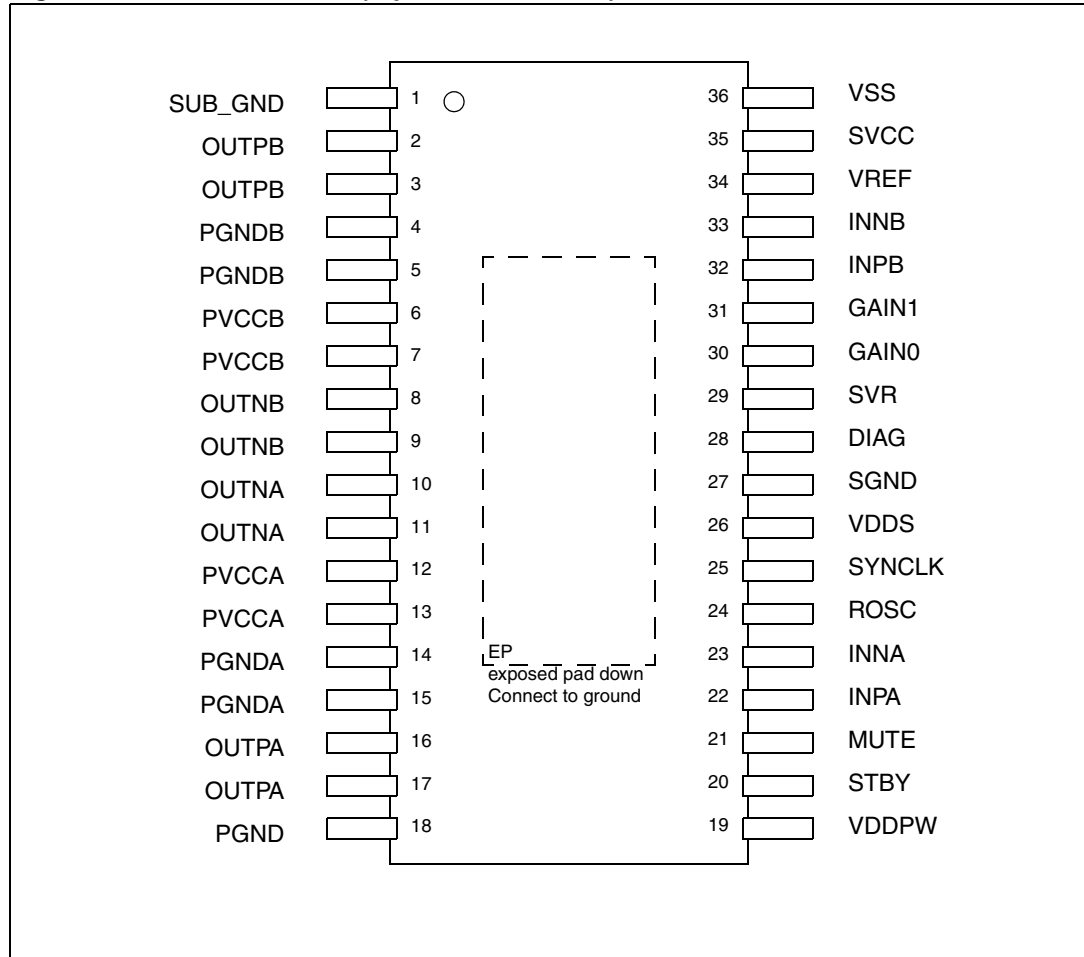
Figure 1. Internal block diagram (one channel only)



2 Pin description

2.1 Pin out

Figure 2. Pin connection (top view, PCB view)



2.2 Pin list

Table 2. Pin description list

Number	Name	Type	Description
1	SUB_GND	POWER	Connect to the frame
2,3	OUTPB	OUT	Positive PWM output for right channel
4,5	PGNDB	POWER	Power stage ground for right channel
6,7	PVCCB	POWER	Power supply for right channel
8,9	OUTNB	OUT	Negative PWM output for right channel
10,11	OUTNA	OUT	Negative PWM output for left channel
12,13	PVCCA	POWER	Power supply for left channel
14,15	PGNDA	POWER	Power stage ground for left channel
16,17	OUTPA	OUT	Positive PWM output for left channel
18	PGND	POWER	Power stage ground
19	VDDPW	OUT	3.3-V (nominal) regulator output referred to ground for power stage
20	STBY	INPUT	Standby mode control
21	MUTE	INPUT	Mute mode control
22	INPA	INPUT	Positive differential input of left channel
23	INNA	INPUT	Negative differential input of left channel
24	ROSC	OUT	Master oscillator frequency-setting pin
25	SYNCLCK	IN/OUT	Clock in/out for external oscillator
26	VDDS	OUT	3.3-V (nominal) regulator output referred to ground for signal blocks
27	SGND	POWER	Signal ground
28	DIAG	OUT	Open-drain diagnostic output
29	SVR	OUT	Supply voltage rejection
30	GAIN0	INPUT	Gain setting input 1
31	GAIN1	INPUT	Gain setting input 2
32	INPB	INPUT	Positive differential input of right channel
33	INNB	INPUT	Negative differential input of right channel
34	VREF	OUT	Half VDDS (nominal) referred to ground
35	SVCC	POWER	Signal power supply
36	VSS	OUT	3.3-V (nominal) regulator output referred to power supply
-	EP	-	Exposed pad for ground-plane heatsink, to be connected to GND

3 Electrical specifications

3.1 Absolute maximum ratings

Table 3. Absolute maximum ratings

Symbol	Parameter	Value	Unit
V_{CC}	DC supply voltage	18	V
V_I	Voltage limits for input pins STBY, MUTE, INNA, INPA, INN B, INPB, GAIN0, GAIN1	-0.3 to 3.6	V
T_{op}	Operating temperature	-40 to 85	°C
T_j	Operating junction temperature	-40 to 150	°C
T_{stg}	Storage temperature	-40 to 150	°C

3.2 Thermal data

Refer also to [Section 5.9: Heatsink requirements on page 32](#).

Table 4. Thermal data

Symbol	Parameter	Min	Typ	Max	Unit
$R_{th\ j-case}$	Thermal resistance, junction to case	-	2	3	°C/W
$R_{th\ j-amb}$	Thermal resistance, junction to ambient	-	24	-	

3.3 Electrical specifications

Unless otherwise stated, the results in [Table 5](#) below are given for the conditions: $V_{CC} = 9\text{ V}$, R_L (load) = $8\ \Omega$, $R_{OSC} = R3 = 39\text{ k}\Omega$, $C8 = 100\text{ nF}$, $f = 1\text{ kHz}$, $G_V = 20\text{ dB}$, and $T_{amb} = 25\text{ }^\circ\text{C}$.

Table 5. Electrical specifications

Symbol	Parameter	Condition	Min	Typ	Max	Unit
V_{CC}	Supply voltage	-	5	-	14	V
I_q	Total quiescent current	Without LC filter	-	26	35	mA
I_{qSTBY}	Quiescent current in standby	-	-	-	10	μA
V_{OS}	Output offset voltage	Play mode	-100	-	100	mV
		Mute mode	-60	-	60	mV
I_{OCP}	Overcurrent protection threshold	$R_L = 0\ \Omega$	3	-	-	A
T_j	Junction temperature at thermal shutdown	-	-	150	-	$^\circ\text{C}$
R_i	Input resistance	Differential input	54	68	-	$\text{k}\Omega$
V_{UVP}	Undervoltage protection threshold	-	-	-	4.5	V
R_{dsON}	Power transistor on resistance	High side	-	0.2	-	Ω
		Low side	-	0.2	-	
P_o	Output power	THD = 10%	-	5.0	-	W
		THD = 1%	-	4.0	-	
P_o	Output power	$R_L = 4\ \Omega$, THD = 10%, $V_{CC} = 6.6\text{ V}$	-	5.0	-	W
		$R_L = 4\ \Omega$, THD = 1%, $V_{CC} = 6.6\text{ V}$	-	4.0	-	
P_D	Dissipated power	$P_o = 5\text{ W} + 5\text{ W}$, THD = 10%	-	1.0	-	W
η	Efficiency	$P_o = 5\text{ W} + 5\text{ W}$, $R_L = 8\ \Omega$, THD = 10%, $V_{CC} = 9\text{ V}$	-	90	-	%
THD	Total harmonic distortion	$P_o = 1\text{ W}$	-	0.1	-	%
G_V	Closed loop gain	GAIN0 = L, GAIN1 = L	18	20	22	dB
		GAIN0 = L, GAIN1 = H	24	26	28	
		GAIN0 = H, GAIN1 = L	28	30	32	
		GAIN0 = H, GAIN1 = H	30	32	34	
ΔG_V	Gain matching	-	-1	-	1	dB
CT	Crosstalk	$f = 1\text{ kHz}$, $P_o = 1\text{ W}$	-	70	-	dB
eN	Total input noise	A Curve, $G_V = 20\text{ dB}$	-	15	-	μV
		$f = 22\text{ Hz to } 22\text{ kHz}$	-	20	-	

Table 5. Electrical specifications (continued)

Symbol	Parameter	Condition	Min	Typ	Max	Unit
SVRR	Supply voltage rejection ratio	$f_r = 100 \text{ Hz}$, $V_r = 1 \text{ Vpp}$, $C_{SVR} = 10 \text{ }\mu\text{F}$	-	50	-	dB
T_r , T_f	Rise and fall times	-	-	40	-	ns
f_{SW}	Switching frequency	Internal oscillator, master mode	290	320	350	kHz
f_{SWR}	Switching frequency range	(1)	250	-	400	kHz
V_{inH}	Digital input high (H)	-	2.3	-	-	V
V_{inL}	Digital input low (L)		-	-	0.8	
A_{MUTE}	Mute attenuation	$V_{MUTE} = \text{low}$, $V_{STBY} = \text{high}$	-	80	-	dB
Function mode	Standby, mute and play modes	$V_{STBY} < 0.5 \text{ V}$ $V_{MUTE} = X$	Standby			-
		$V_{STBY} > 2.9 \text{ V}$ $V_{MUTE} < 0.8 \text{ V}$	Mute			-
		$V_{STBY} > 2.9 \text{ V}$ $V_{MUTE} > 2.9 \text{ V}$	Play			-

1. Refer to [Section 5.5: Internal and external clocks on page 27](#).

4 Characterization curves

The following characterization curves were made using the TDA7491LP demo board. The LC filter for the 4-Ω load uses components of 15 μH and 470 nF and that for the 8-Ω load uses 33 μH and 220 nF.

4.1 With 4-Ω load at V_{CC} = 6.6 V

Figure 3. Output power vs. supply voltage

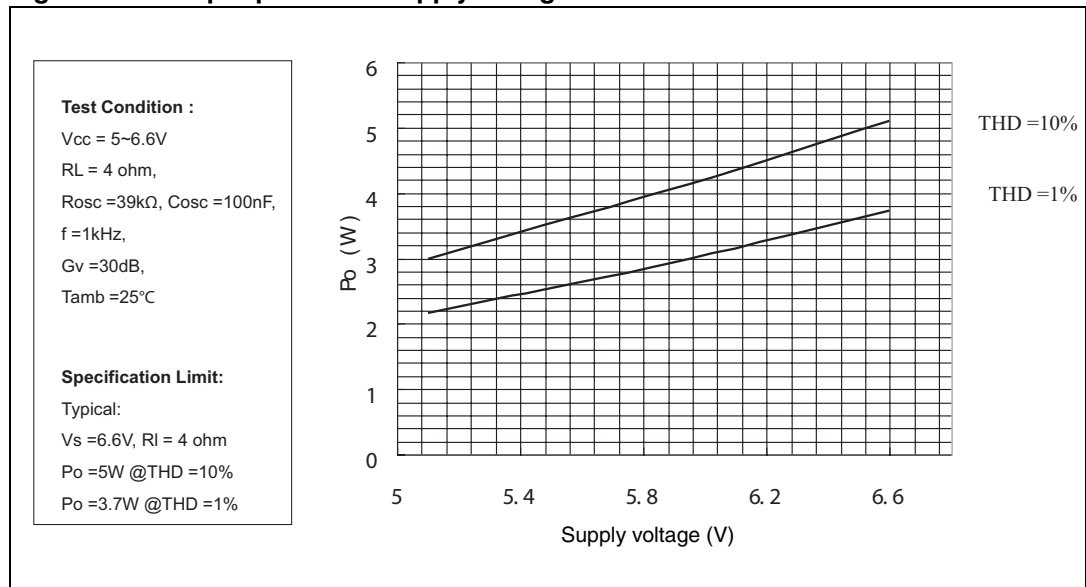


Figure 4. THD vs. output power (1 kHz)

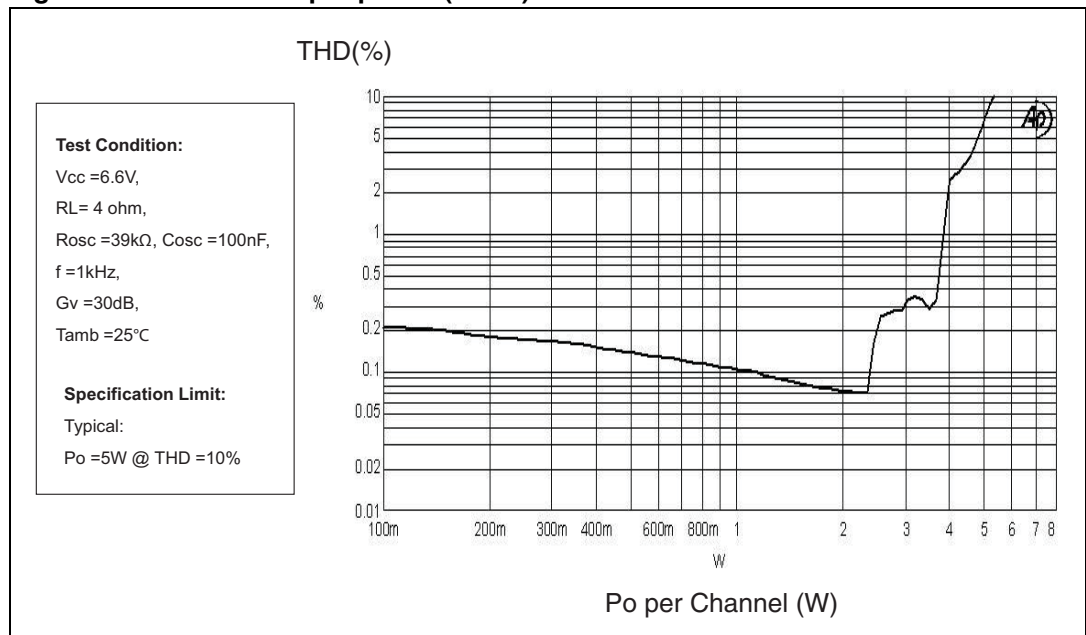


Figure 5. THD vs. output power (100 Hz)

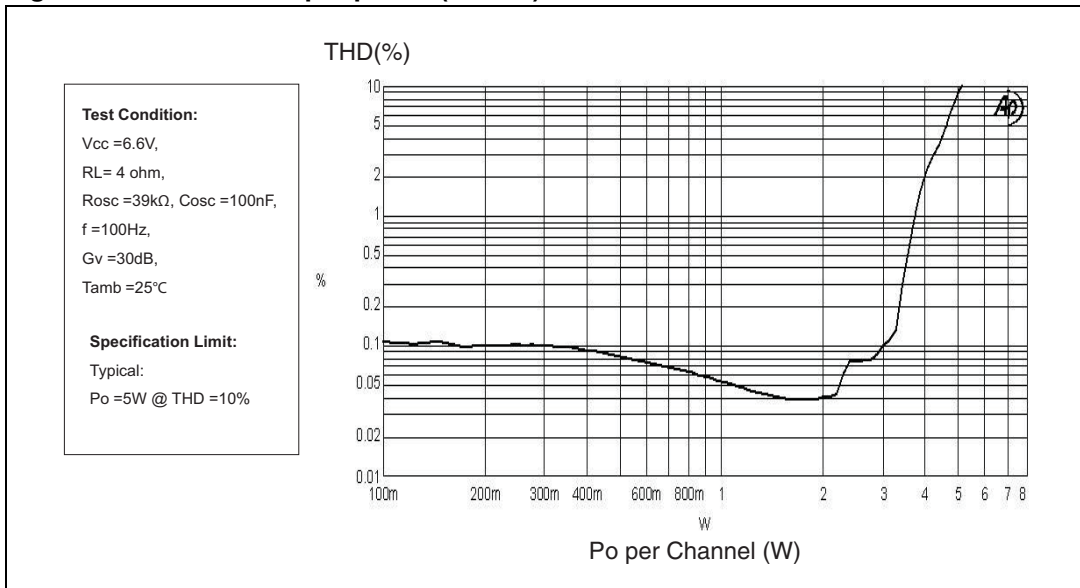


Figure 6. THD vs. frequency

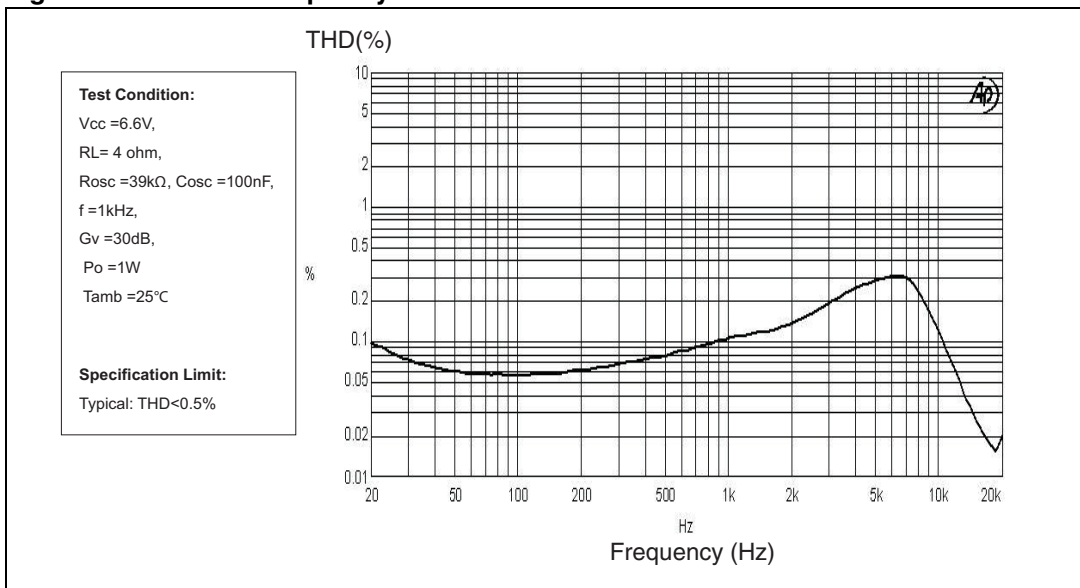


Figure 7. Frequency response

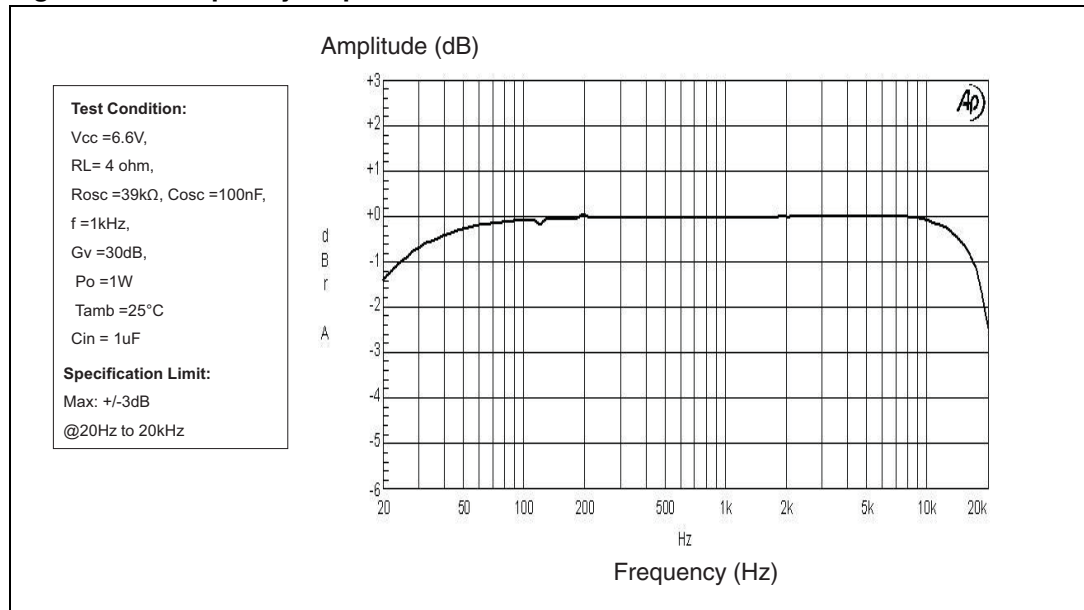


Figure 8. Crosstalk vs. frequency

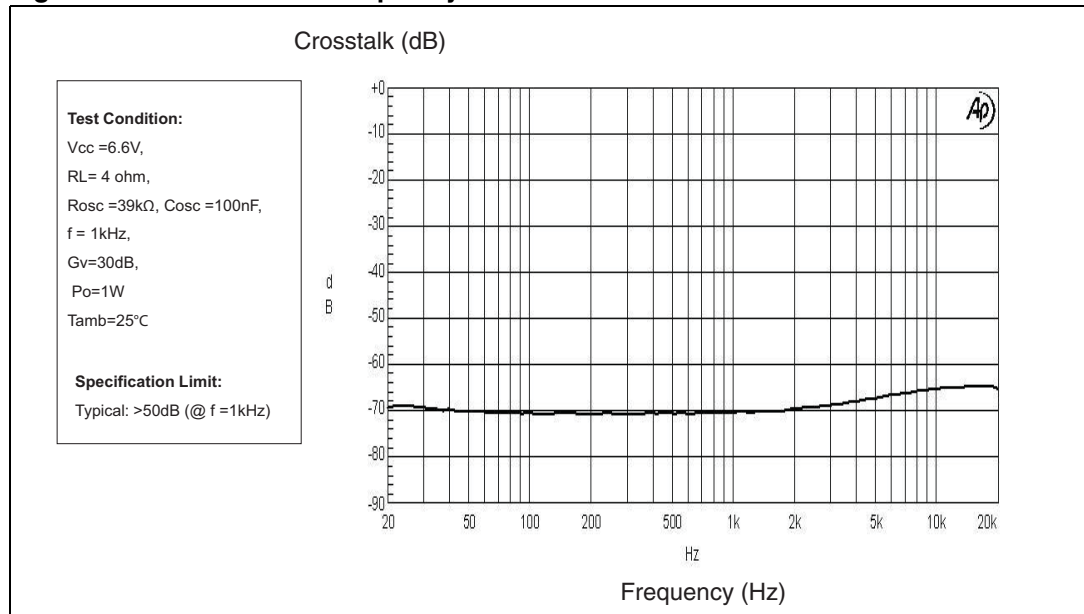


Figure 9. FFT (0 dB)

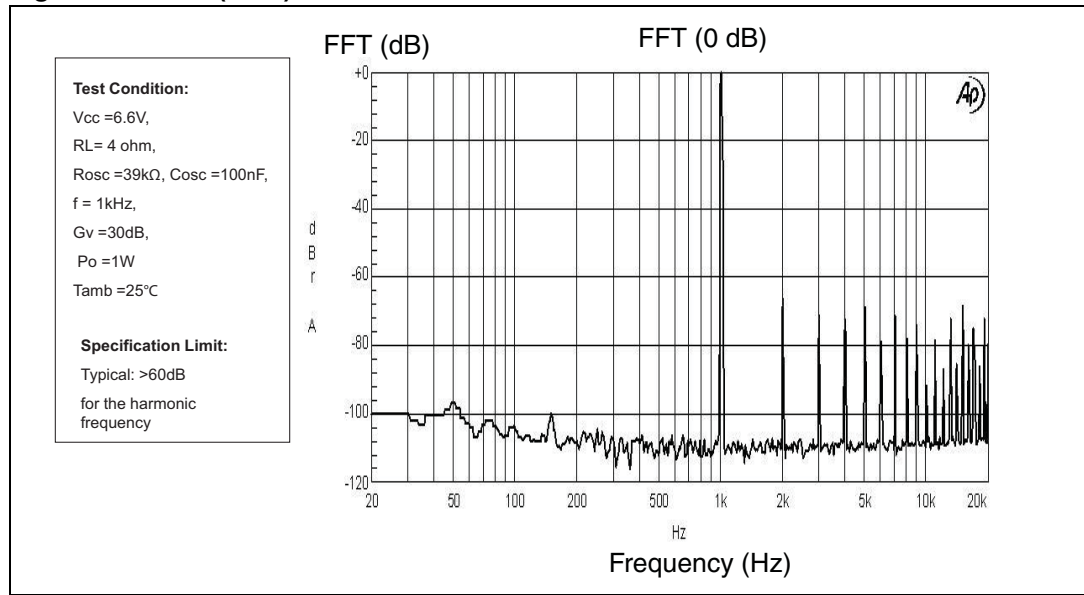


Figure 10. FFT (-60 dB)

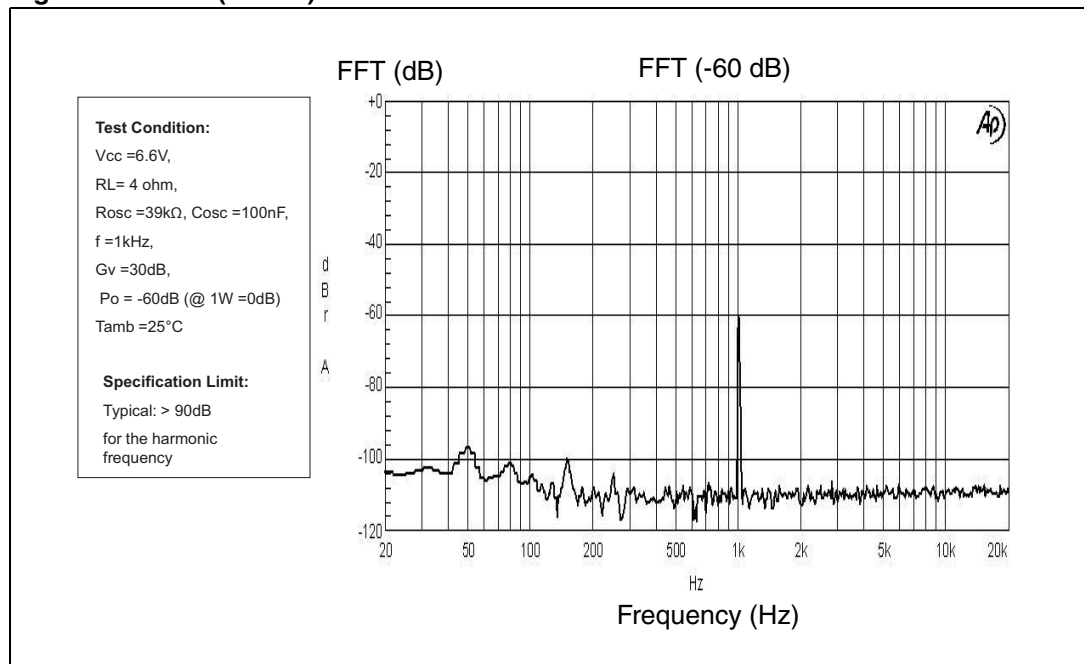


Figure 11. Power supply rejection ratio vs. frequency

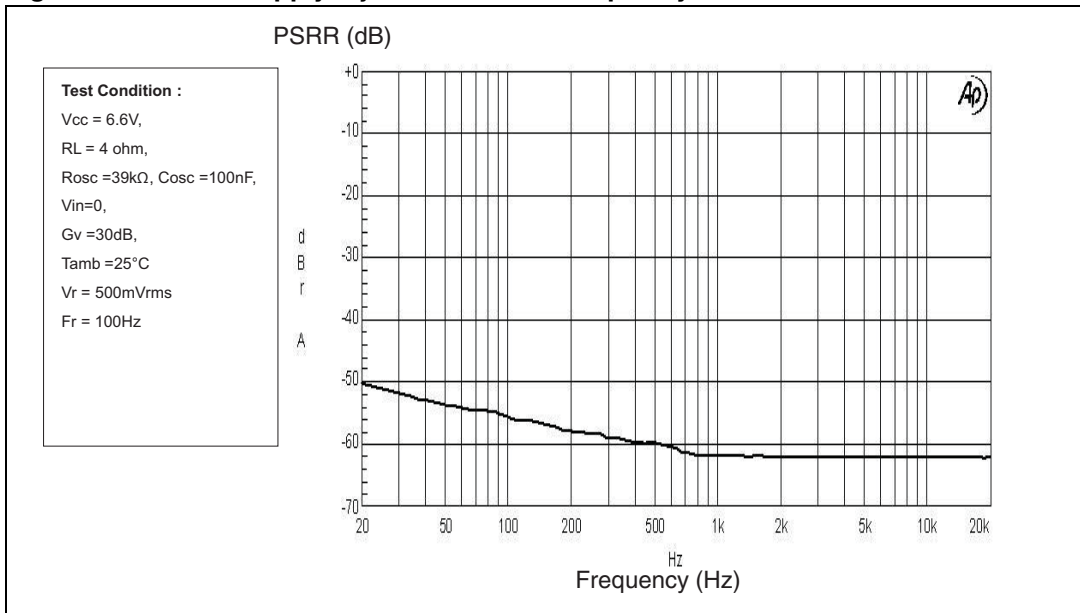


Figure 12. Power dissipation and efficiency vs. output power

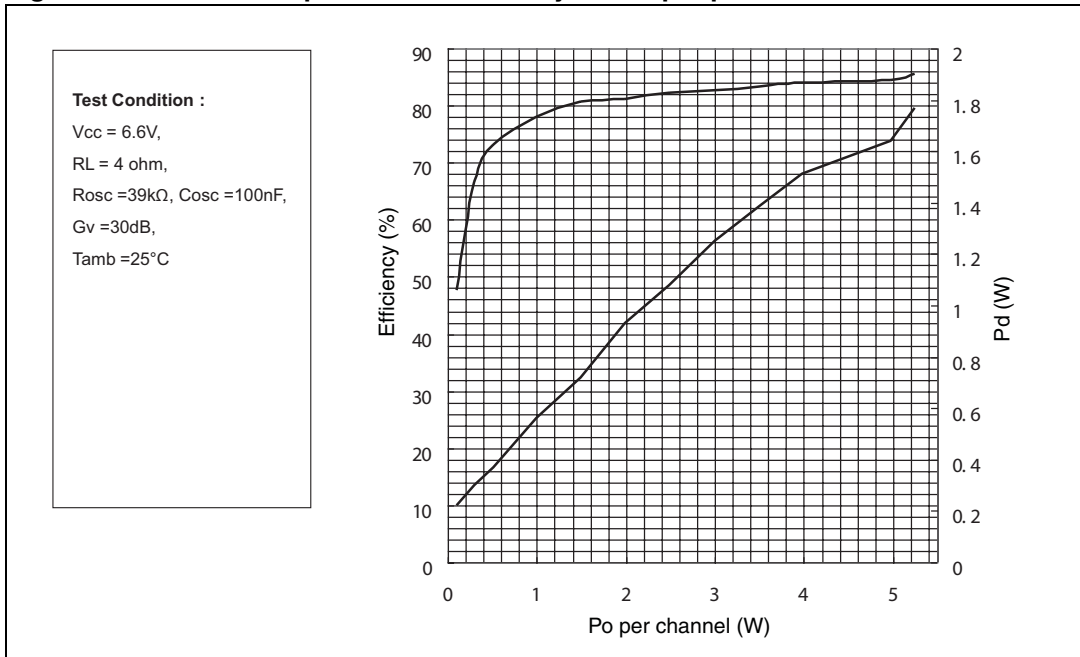


Figure 13. Attenuation vs. voltage on pin MUTE

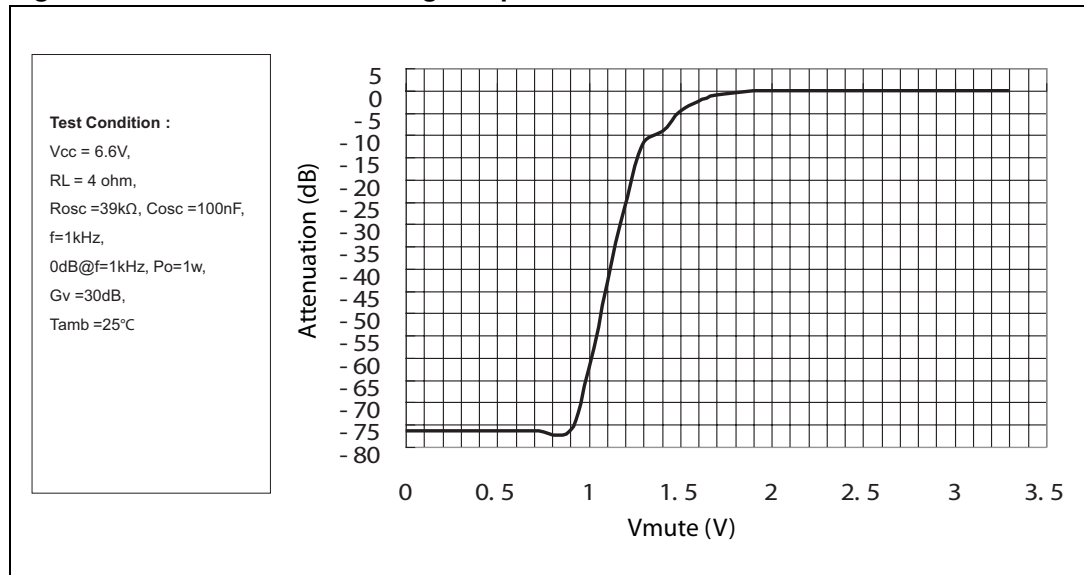


Figure 14. Current consumption vs. voltage on pin STBY

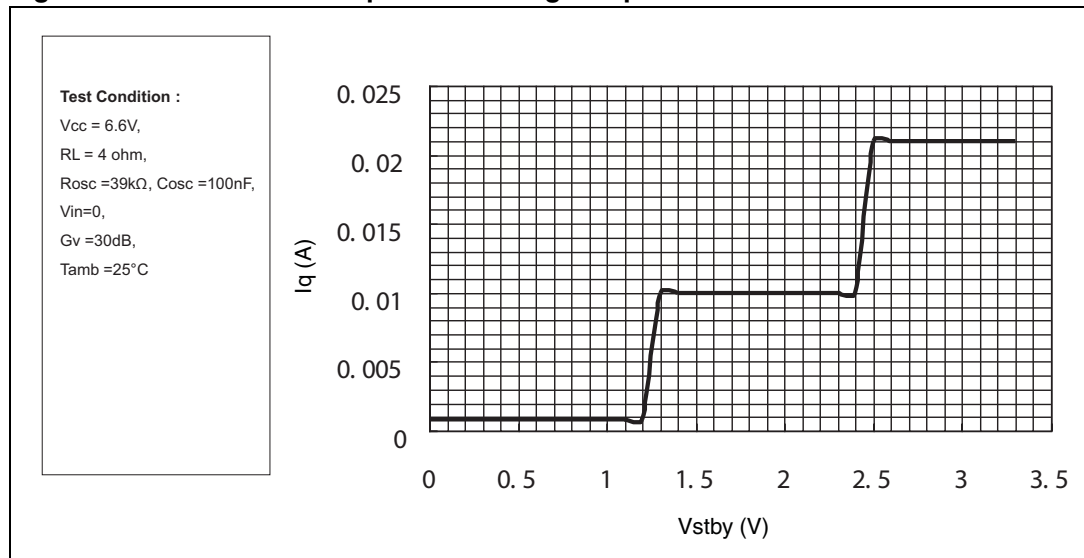
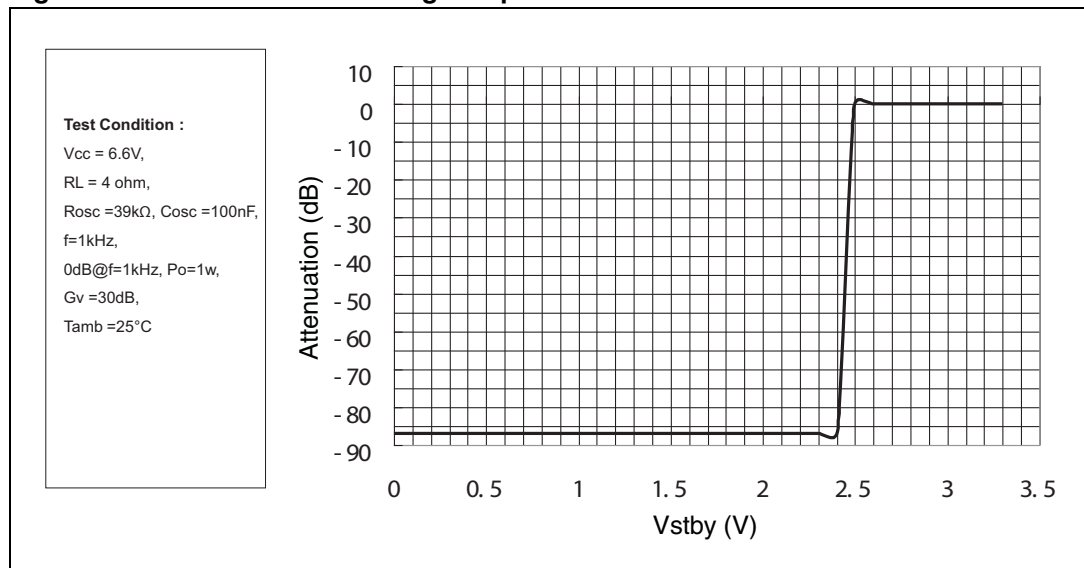


Figure 15. Attenuation vs. voltage on pin STBY



4.2 With 8-Ω load at V_{CC} = 9 V

Figure 16. Output power vs. supply voltage

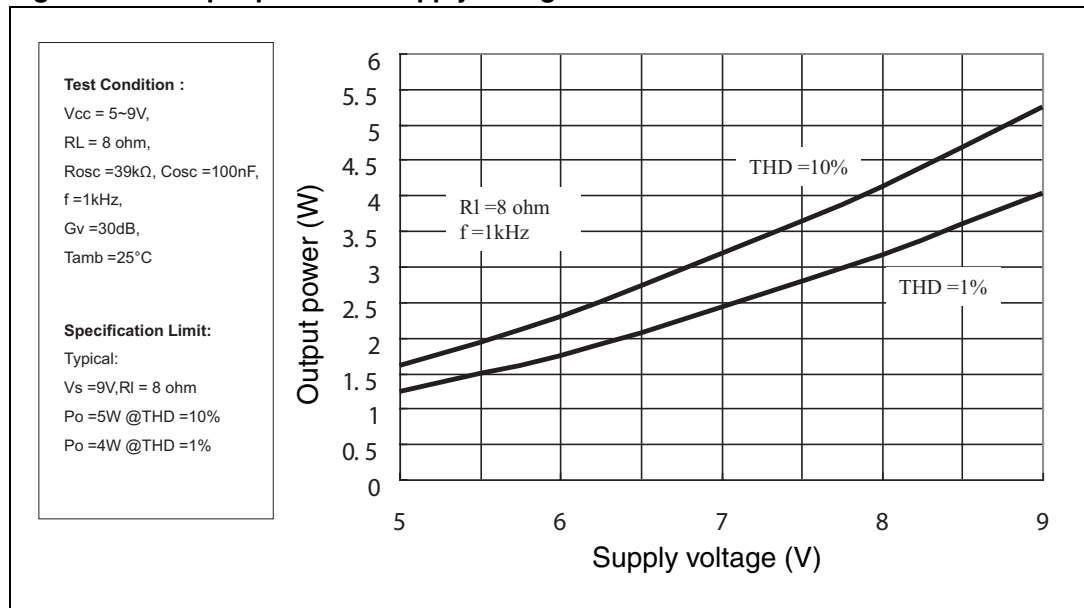


Figure 17. THD vs. output power (1 kHz)

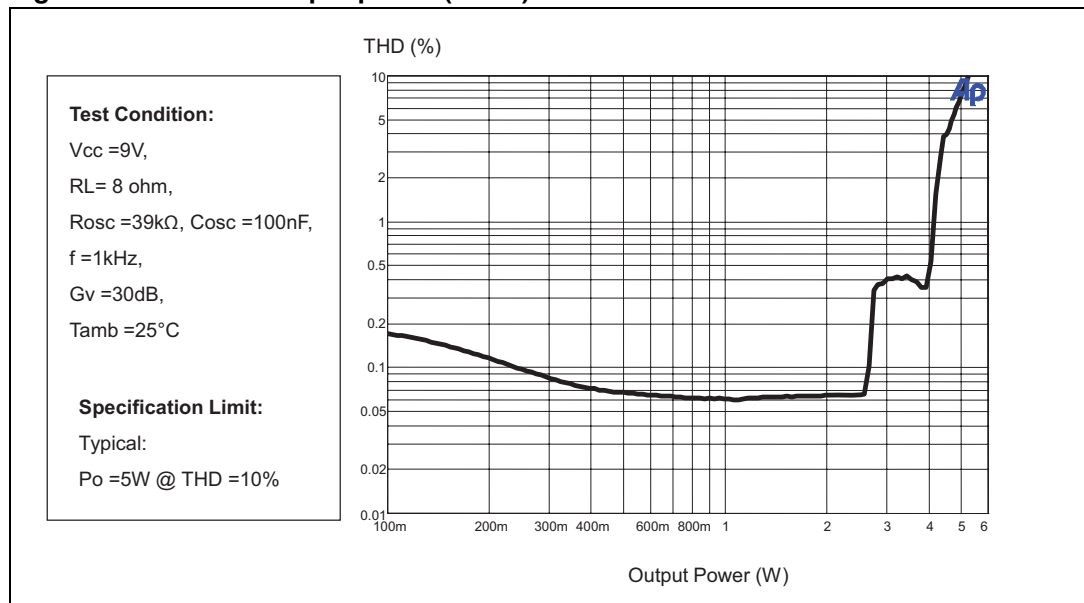


Figure 18. THD vs. output power (100 Hz)

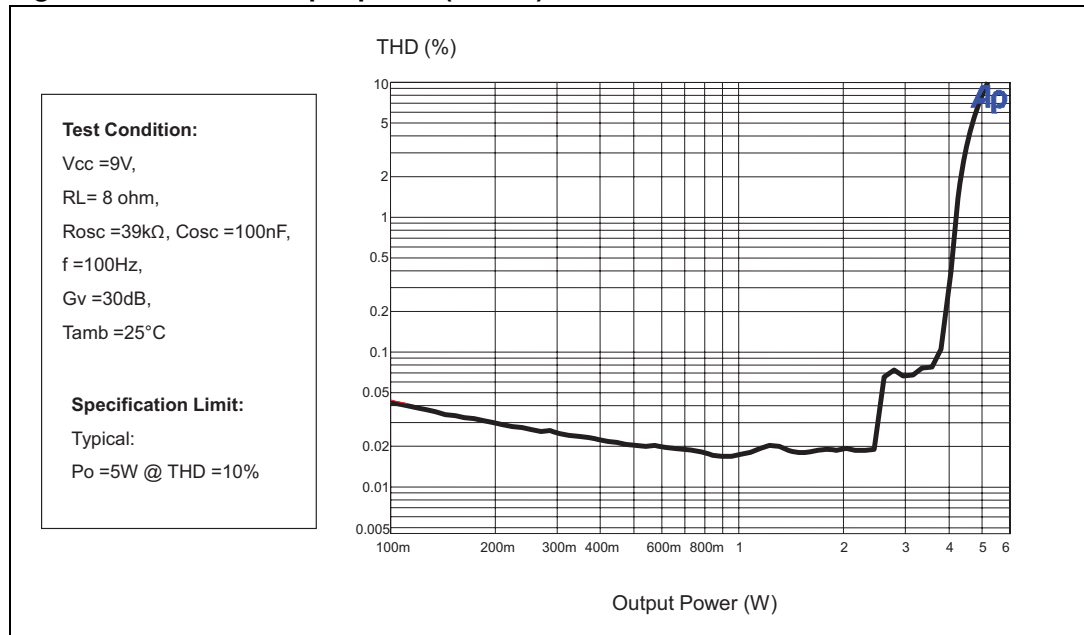


Figure 19. THD vs. frequency

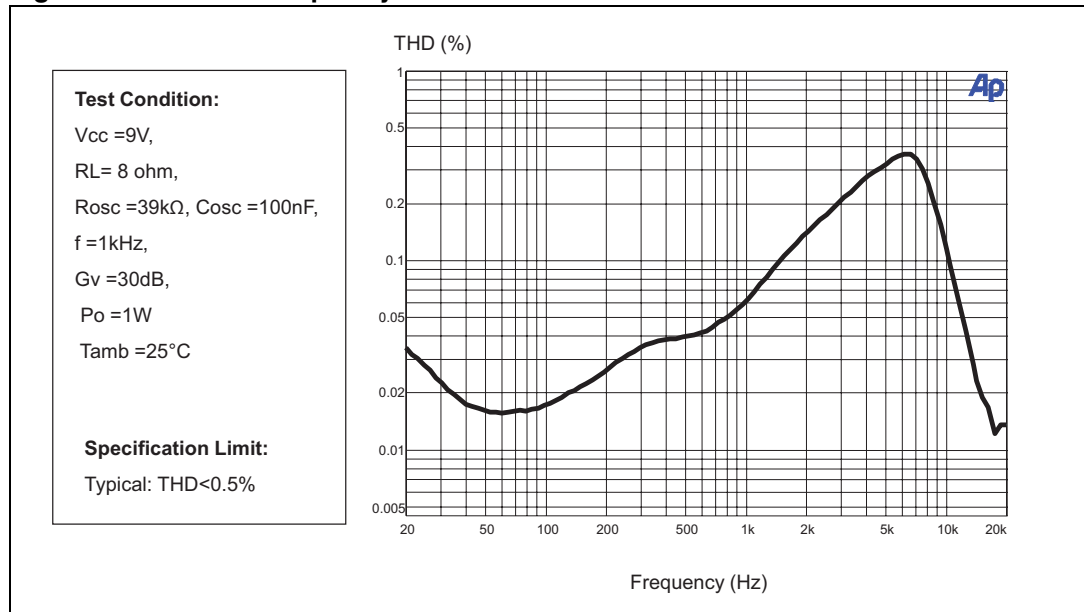


Figure 20. Frequency response

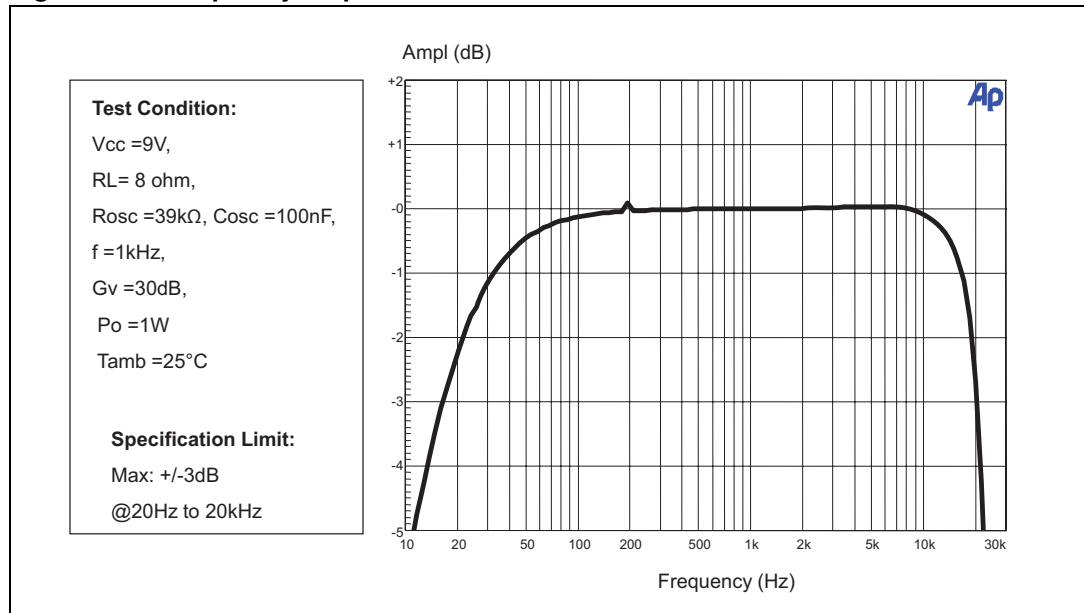


Figure 21. Crosstalk vs. frequency

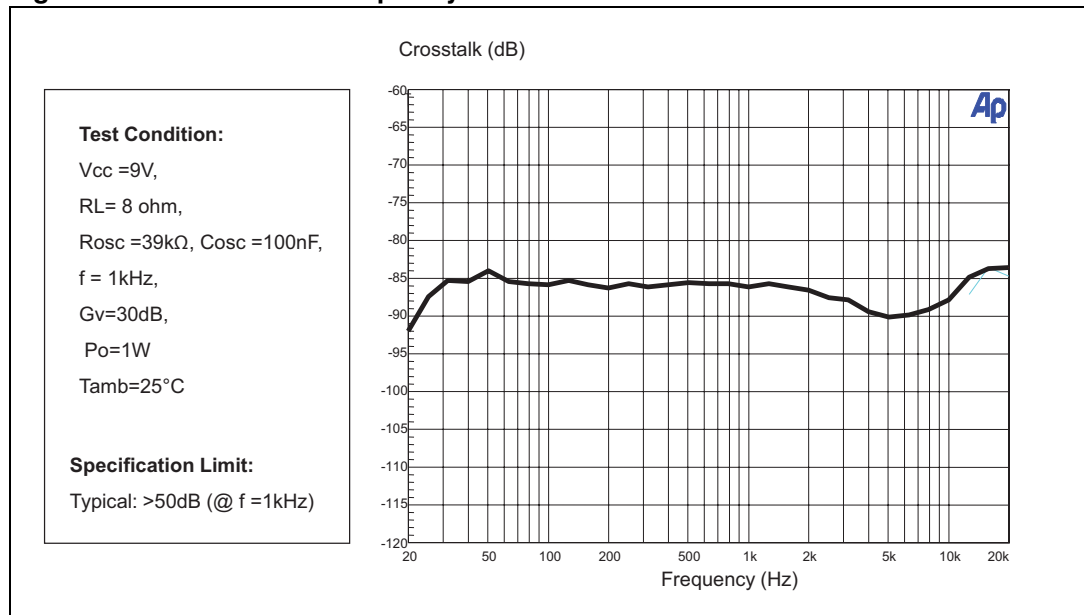


Figure 22. FFT (0 dB)

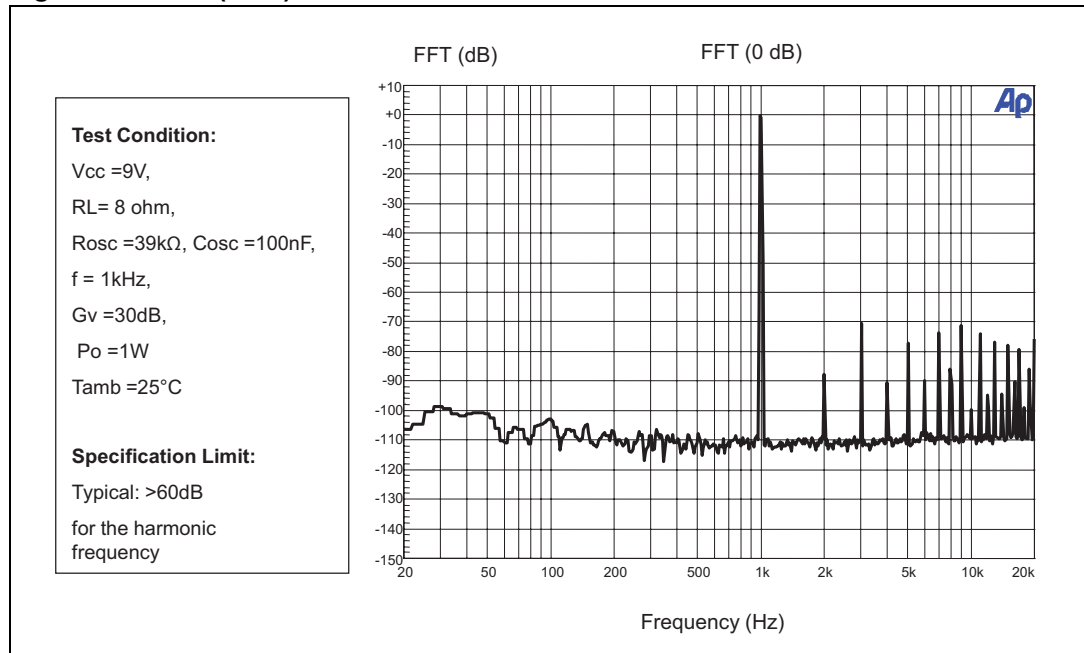


Figure 23. FFT (-60 dB)

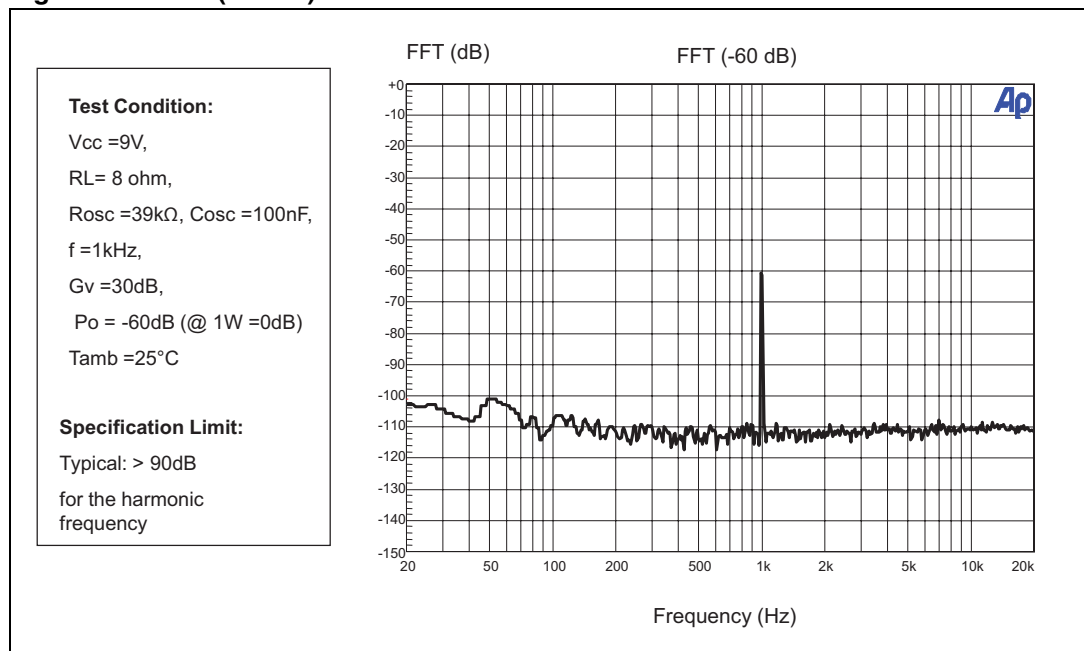


Figure 24. Power supply rejection ratio vs. frequency

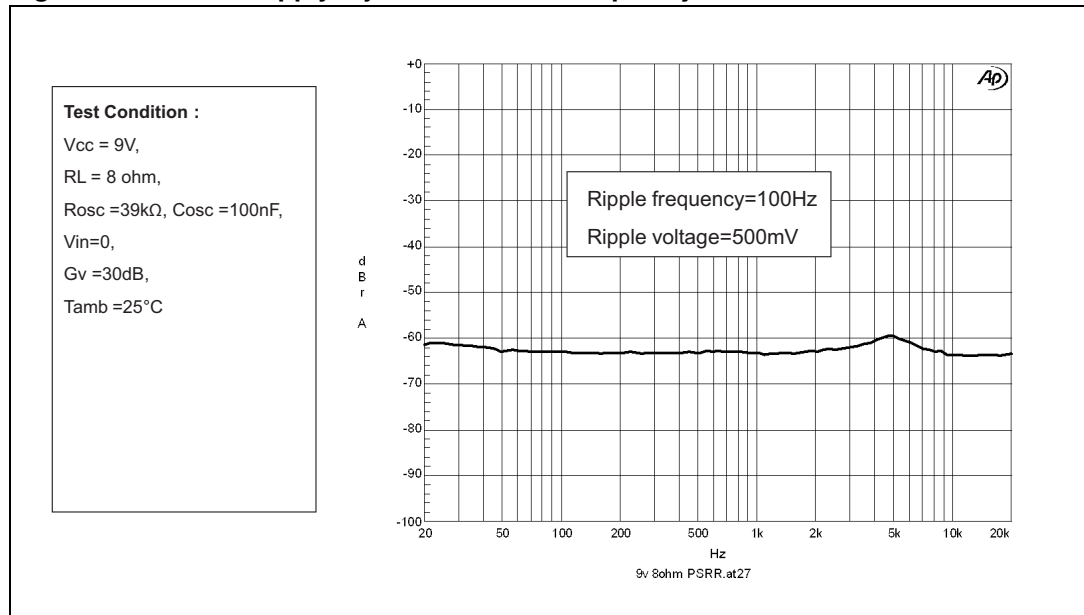
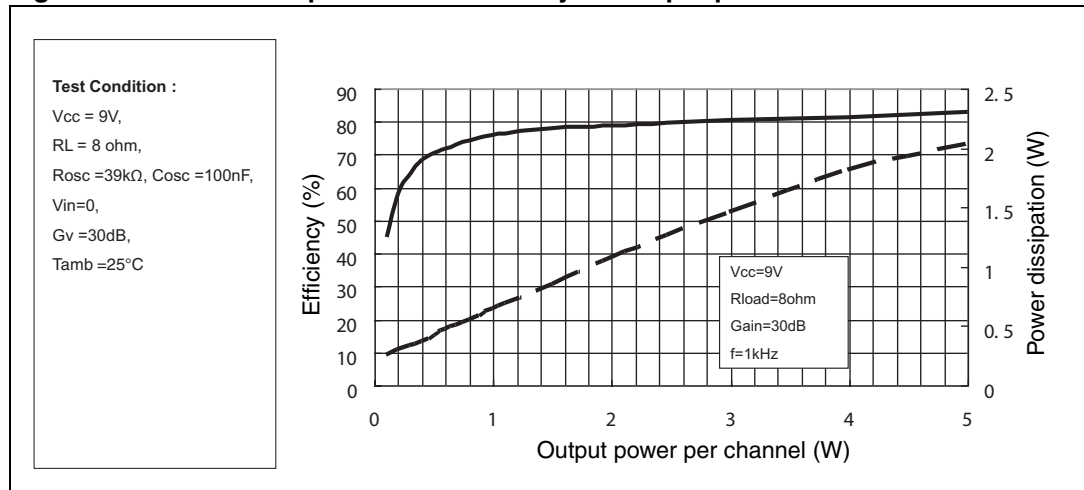


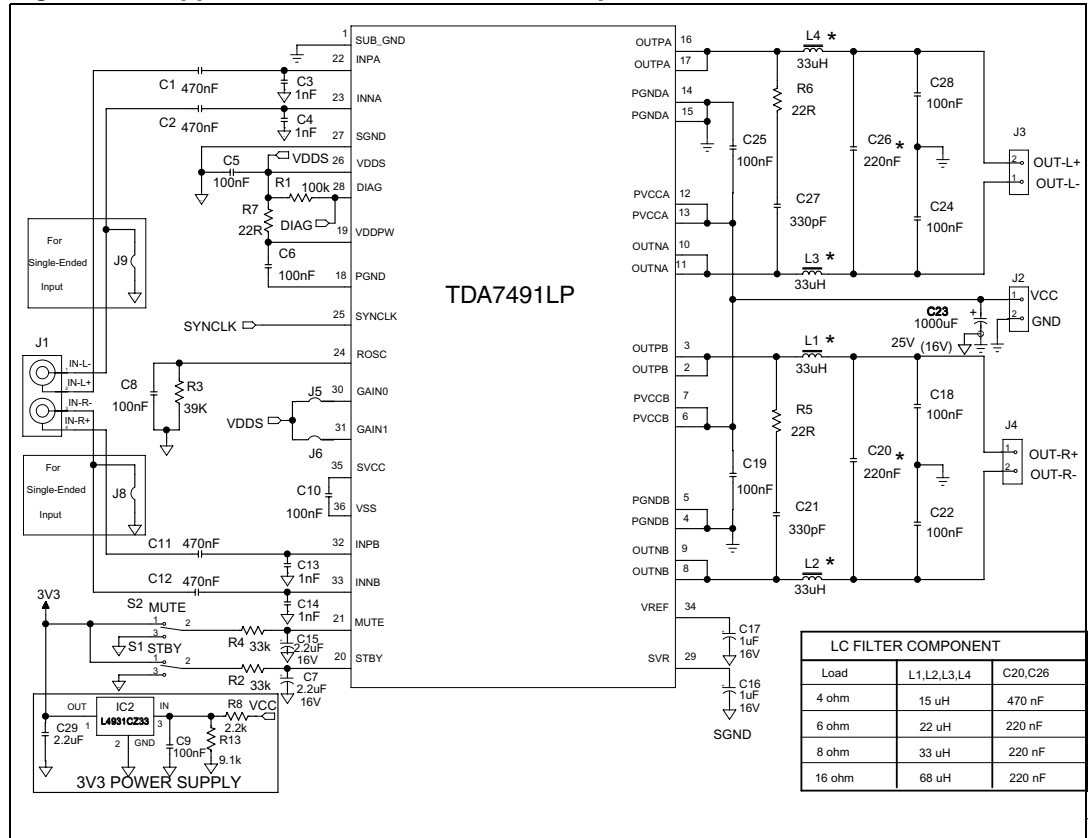
Figure 25. Power dissipation and efficiency vs. output power



5 Applications information

5.1 Applications circuit

Figure 26. Applications circuit for class-D amplifier



5.2 Mode selection

The three operating modes, defined below, of the TDA7491LP are set by the two inputs STBY (pin 20) and MUTE (pin 21) as shown in [Table 6](#).

- Standby mode: all circuits are turned off, very low current consumption.
- Mute mode: inputs are connected to ground and the positive and negative PWM outputs are at 50% duty cycle.
- Play mode: the amplifiers are active.

The protection functions of the TDA7491LP are implemented by pulling down the voltages of the STBY and MUTE inputs shown in [Figure 27](#). The input current of the corresponding pins must be limited to 200 μ A.

Table 6. Mode settings

Mode	Voltage level on pin STBY	Voltage level on pin MUTE
Standby	L ⁽¹⁾	X (don't care)
Mute	H ⁽¹⁾	L
Play	H	H

1. Refer to V_{STBY} and V_{MUTE} in [Table 5: Electrical specifications on page 10](#) for the drive levels for L and H

Figure 27. Standby and mute circuits

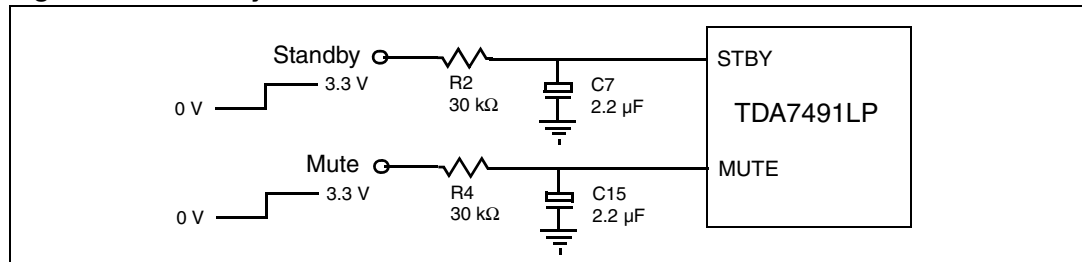
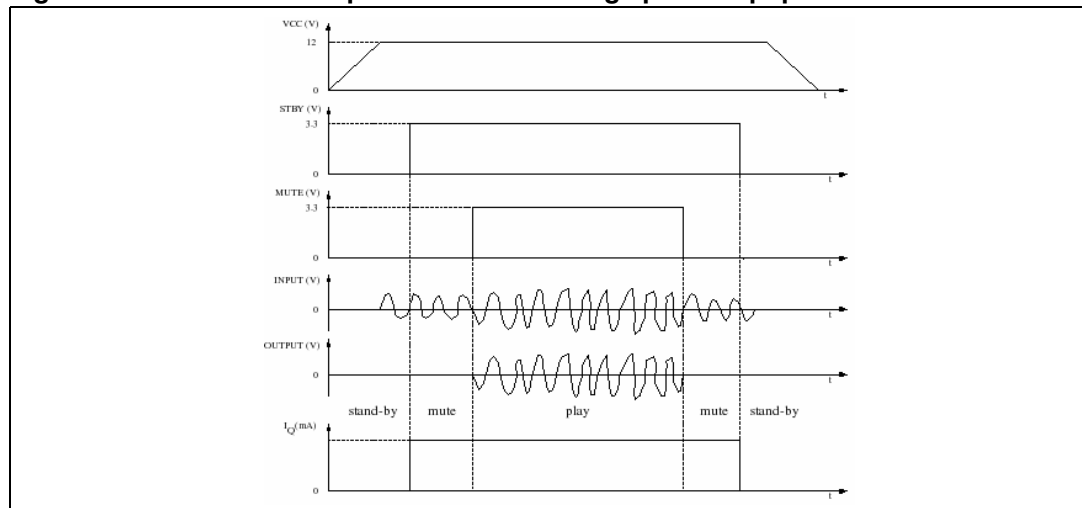


Figure 28. Turn-on/off sequence for minimizing speaker “pop”



5.3 Gain setting

The gain of the TDA7491LP is set by the two inputs, GAIN0 (pin 30) and GAIN1 (pin 31). Internally, the gain is set by changing the feedback resistors of the amplifier.

Table 7. Gain settings

Voltage level on pin GAIN0	Voltage level on pin GAIN1	Nominal gain, G _v (dB)
L ⁽¹⁾	H ⁽¹⁾	20
L	H	26
H	L	30
H	H	32

1. Refer to V_{inL} and V_{inH} in [Table 5: Electrical specifications on page 10](#) for the drive levels for L and H

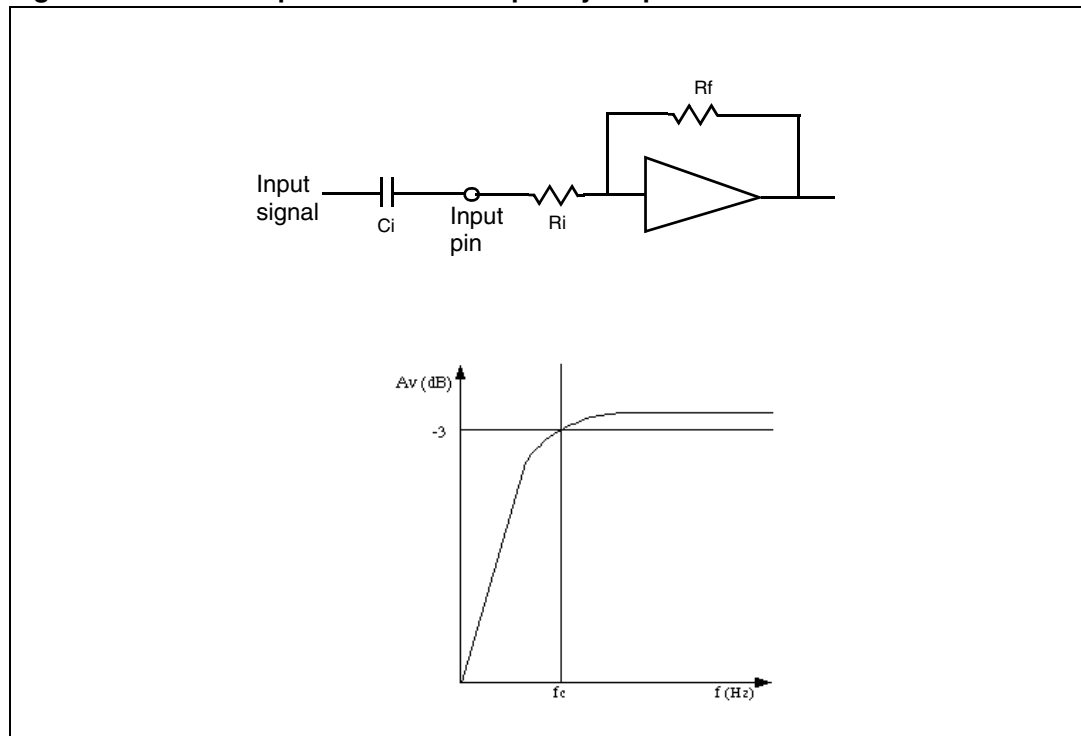
5.4 Input resistance and capacitance

The input impedance is set by an internal resistor Ri = 68 kΩ (typical). An input capacitor (Ci) is required to couple the AC input signal.

The equivalent circuit and frequency response of the input components are shown in [Figure 29](#). For Ci = 220 nF the high-pass filter cut-off frequency is below 20 Hz:

$$f_c = 1 / (2 * \pi * R_i * C_i)$$

Figure 29. Device input circuit and frequency response



5.5 Internal and external clocks

The clock of the class-D amplifier can be generated internally or can be driven by an external source.

If two or more class-D amplifiers are used in the same system, it is recommended that all devices operate at the same clock frequency. This can be implemented by using one TDA7491LP as master clock, while the other devices are in slave mode, that is, externally clocked. The clock interconnect is via pin SYNCLK of each device. As explained below, SYNCLK is an output in master mode and an input in slave mode.

5.5.1 Master mode (internal clock)

Using the internal oscillator, the output switching frequency, f_{SW} , is controlled by the resistor, R_{OSC} , connected to pin ROSC:

$$f_{SW} = 10^6 / ((16 * R_{OSC} + 182) * 4) \text{ kHz}$$

where R_{OSC} is in $k\Omega$.

In master mode, pin SYNCLK is used as a clock output pin, whose frequency is:

$$f_{SYNCLK} = 2 * f_{SW}$$

For master mode to operate correctly then resistor R_{OSC} must be less than 60 $k\Omega$ as given below in [Table 8](#).

5.5.2 Slave mode (external clock)

In order to accept an external clock input, pin ROSC must be left open, that is, floating. This forces pin SYNCLK to be internally configured as an input as given in [Table 8](#).

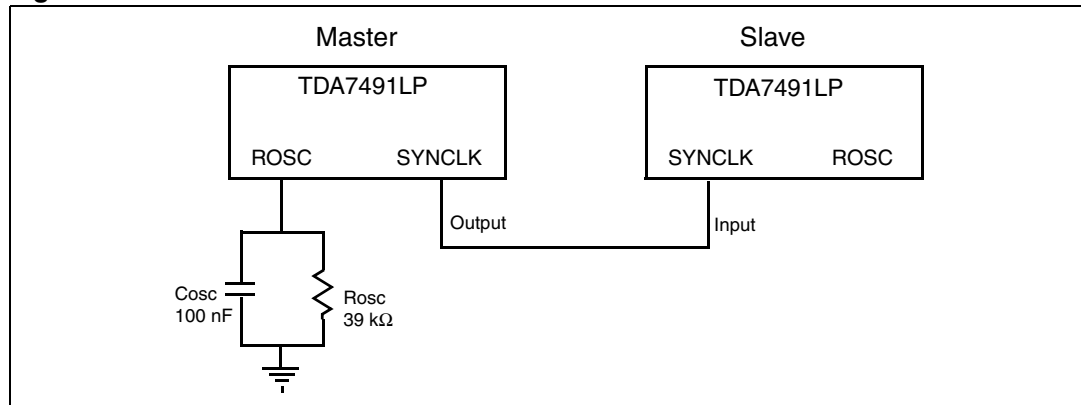
The output switching frequency of the slave devices is:

$$f_{SW} = f_{SYNCLK} / 2$$

Table 8. How to set up SYNCLK

Mode	ROSC	SYNCLK
Master	$R_{OSC} < 60 \text{ k}\Omega$	Output
Slave	Floating (not connected)	Input

Figure 30. Master and slave connection



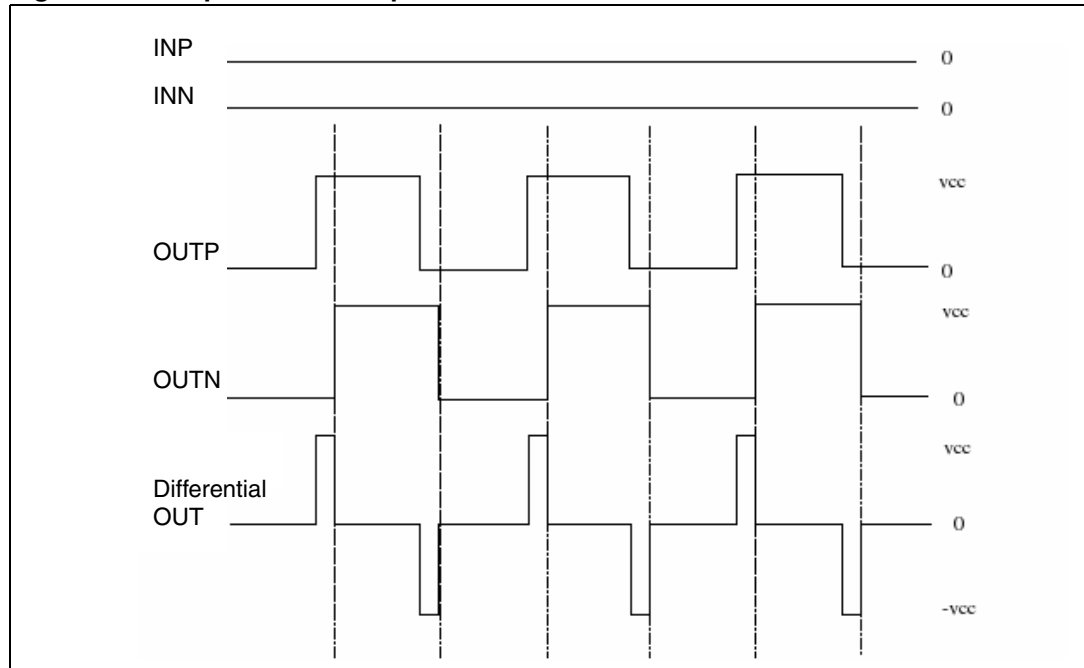
5.6 Modulation

The output modulation scheme of the BTL is called unipolar pulse width modulation (PWM). The differential output voltages change between 0 V and $+V_{CC}$ and between 0 V and $-V_{CC}$. This is in contrast to the traditional bipolar PWM outputs which change between $+V_{CC}$ and $-V_{CC}$.

An advantage of this scheme is that it effectively doubles the switching frequency of the differential output waveform on the load then reducing the current ripple accordingly. The OUPN and OUTN are in the same phase almost overlapped when the input is zero under this condition, then the switching current is low and the related losses in the load are low. In practice, a short delay is introduced between these two outputs in order to avoid the BTL outputs switching simultaneously when the input is zero.

Figure 31 shows the resulting differential output voltage and current when a positive, zero and negative input signal is applied. The resulting differential voltage on the load has a double frequency with respect to outputs OUPN and OUTN then resulting in reduced current ripple.

Figure 31. Unipolar PWM output



5.6.1 Reconstruction low-pass filter

Standard applications use a low-pass filter before the speaker. The cut-off frequency should be higher than 22 kHz and much lower than the output switching frequency. It is necessary to choose the L-C component values depending on the loud speaker impedance. Some typical values, which give a cut-off frequency of 27 kHz, are shown in [Figure 32](#) and [Figure 33](#) below.

Figure 32. Typical LC filter for an 8-Ω speaker

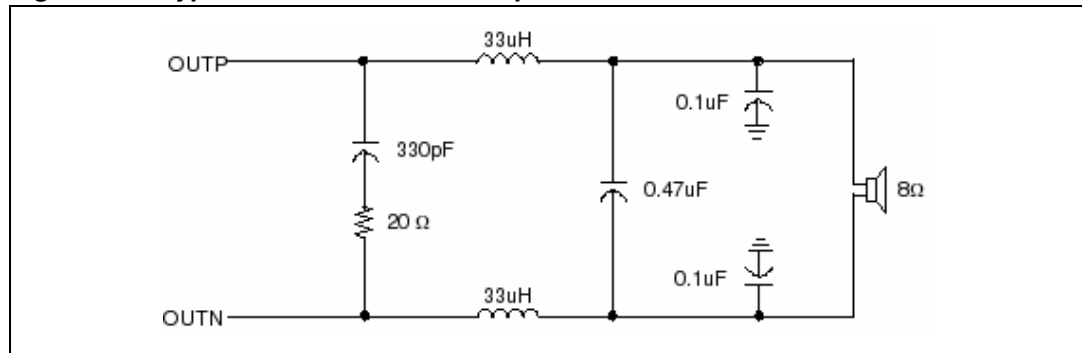
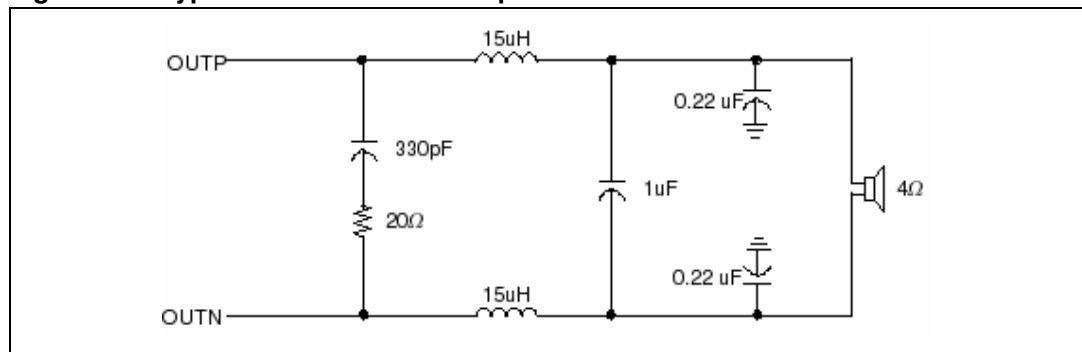


Figure 33. Typical LC filter for a 4-Ω speaker



5.6.2 Filterless modulation

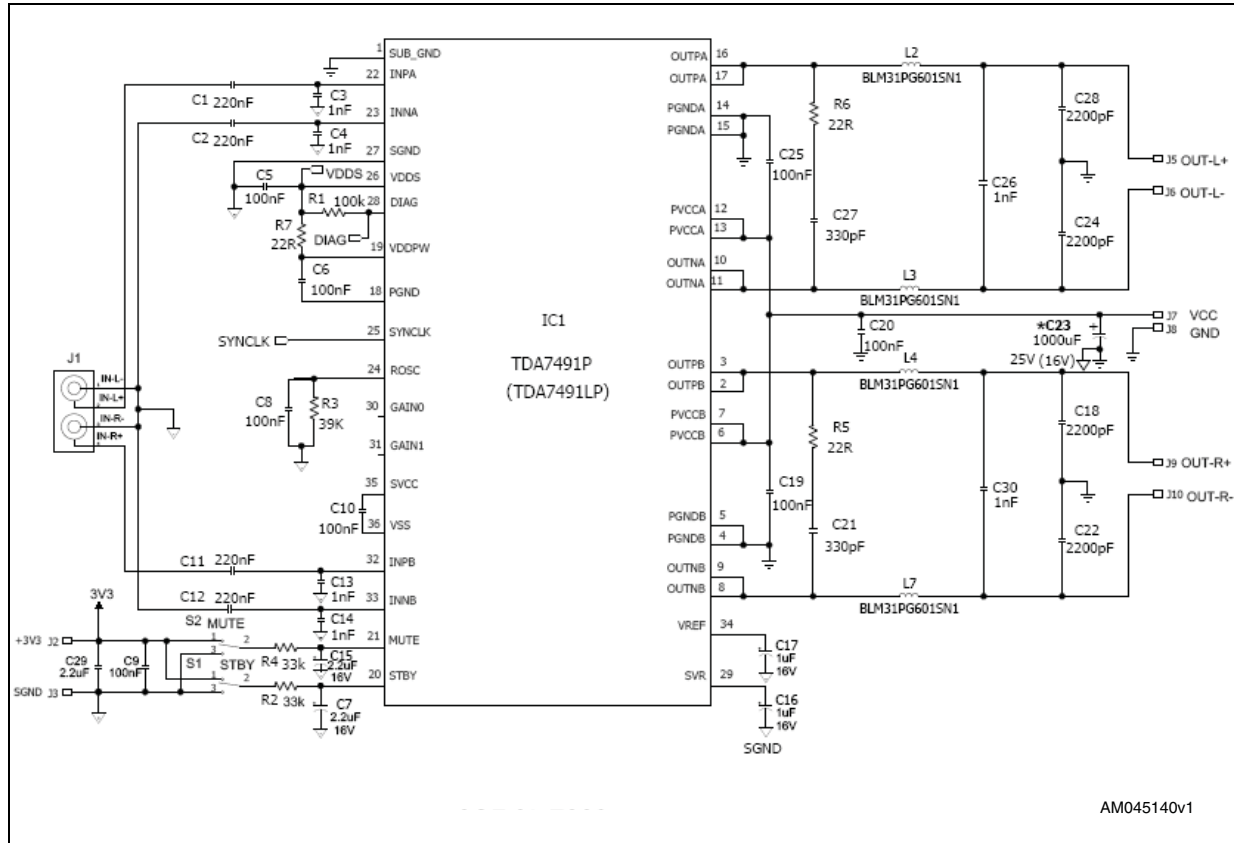
TDA7491LP can be used without a filter at the IC outputs, because the frequency of the TDA7491LP output is beyond the audio frequency, the audio signal can be recovered by the inherent inductance of the speaker and natural filter of the human ear.

The reconstruction of the audio signal on the load is usually achieved using a complete LC filter (such as a Butterworth) solution that guarantees good audio performance, high efficiency and EMI suppression. The LC component values should be computed by considering the target audio band and the PWM switching frequency. The cut-off frequency must lie well below the switching frequency and above the upper audio frequency. In particular, the following schematic gives a guideline for a cut-off frequency of about 30 kHz for both 6- and 8-Ω speakers.

Thanks to its advanced modulation approach, aimed to improve both driving efficiency and radiating emissions, the device is even able to drive a load with a very low component count. With this cost-saving filtering scheme the TDA7491P complies with the EMI specifications FCC class B. [Figure 34 on page 30](#) shows the simplified schematic adopted for the test and the relevant emission curve at full output power.

Emission tests have been performed with a 1-m length of twisted speaker wire with ferrite beads. Changing the type of the ferrite bead requires care due to factors such as its effectiveness in the EMC frequency range and impedance stability over the rated current range. An output snubber network further improves the emissions and this should be tuned according to the actual PCB, layout and component characteristics.

Figure 34. Filterless application schematic



5.7 Protection functions

The TDA7491LP is fully protected against undervoltages, overcurrents and thermal overloads as explained here.

Undervoltage protection (UVP)

If the supply voltage drops below the value of V_{UVP} given in [Table 5: Electrical specifications on page 10](#) the undervoltage protection is activated which forces the outputs to the high-impedance state. When the supply voltage recovers the device restarts.

Overcurrent protection (OCP)

If the output current exceeds the value of I_{OCP} given in [Table 5: Electrical specifications on page 10](#) the overcurrent protection is activated which forces the outputs to the high-impedance state. Periodically, the device attempts to restart. If the overcurrent condition is still present then the OCP remains active. The restart time, T_{OC} , is determined by the R-C components connected to pin STBY.

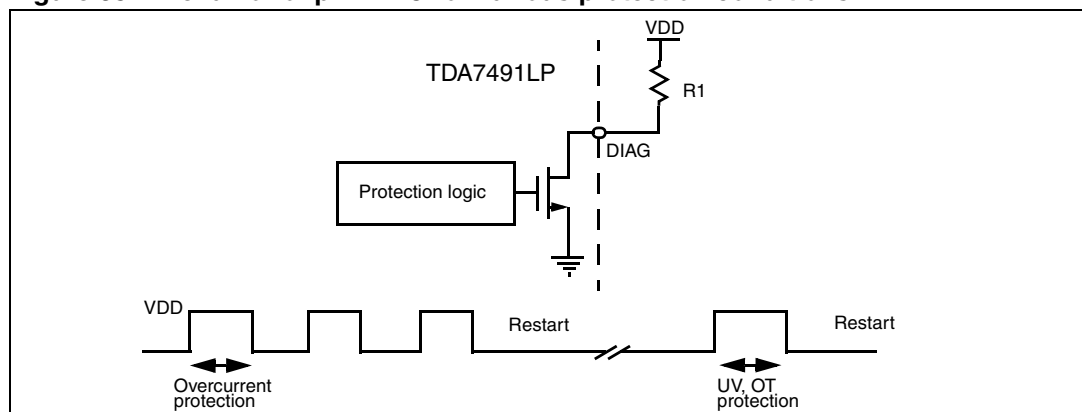
Thermal protection (OTP)

If the junction temperature, T_j , reaches 145 °C (nominal), the device goes to mute mode and the positive and negative PWM outputs are forced to 50% duty cycle. If the junction temperature reaches the value for T_j given in [Table 5: Electrical specifications on page 10](#) the device shuts down and the output is forced to the high impedance state. When the device cools sufficiently the device restarts.

5.8 Diagnostic output

The output pin DIAG is an open drain transistor. When the protection is activated it is in the high-impedance state. The pin can be connected to a power supply (<18 V) by a pull-up resistor whose value is limited by the maximum sinking current (200 μ A) of the pin.

Figure 35. Behavior of pin DIAG for various protection conditions



5.9 Heatsink requirements

Due to the high efficiency of the class-D amplifier a 2-layer PCB can easily provide the heatsinking capability for low to medium power outputs.

Using such a PCB with a copper ground layer of 3 x 3 cm² and 16 vias connecting it to the contact area for the exposed pad, a thermal resistance, junction to ambient (in natural air convection), of 24 °C/W can be achieved.

The dissipated power within the device depends primarily on the supply voltage, load impedance and output modulation level. With the TDA7491LP driving 2 x 8 Ω with a supply of 9 V then the maximum device dissipation is approximately 1 W.

When this power is dissipated at the maximum ambient temperature of 85 °C and the device is mounted on the above PCB then the junction temperature could reach:

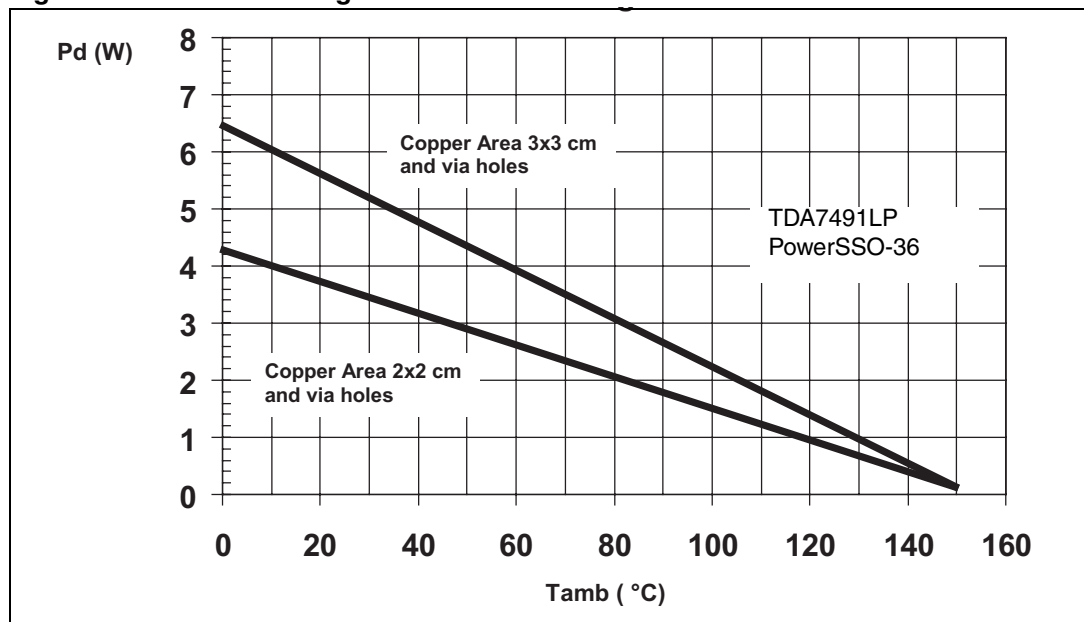
$$T_j = T_{amb} + P_d * R_{j-amb} = 85 + 1 * 24 = 109 \text{ °C}$$

However, this temperature is sufficiently low to avoid triggering thermal warning.

With a musical program the dissipated power is about 40% less than the above maximum value. This leads to a junction temperature of around only 99 °C with the 9 cm² copper ground. A commensurately smaller heatsink can thus be used.

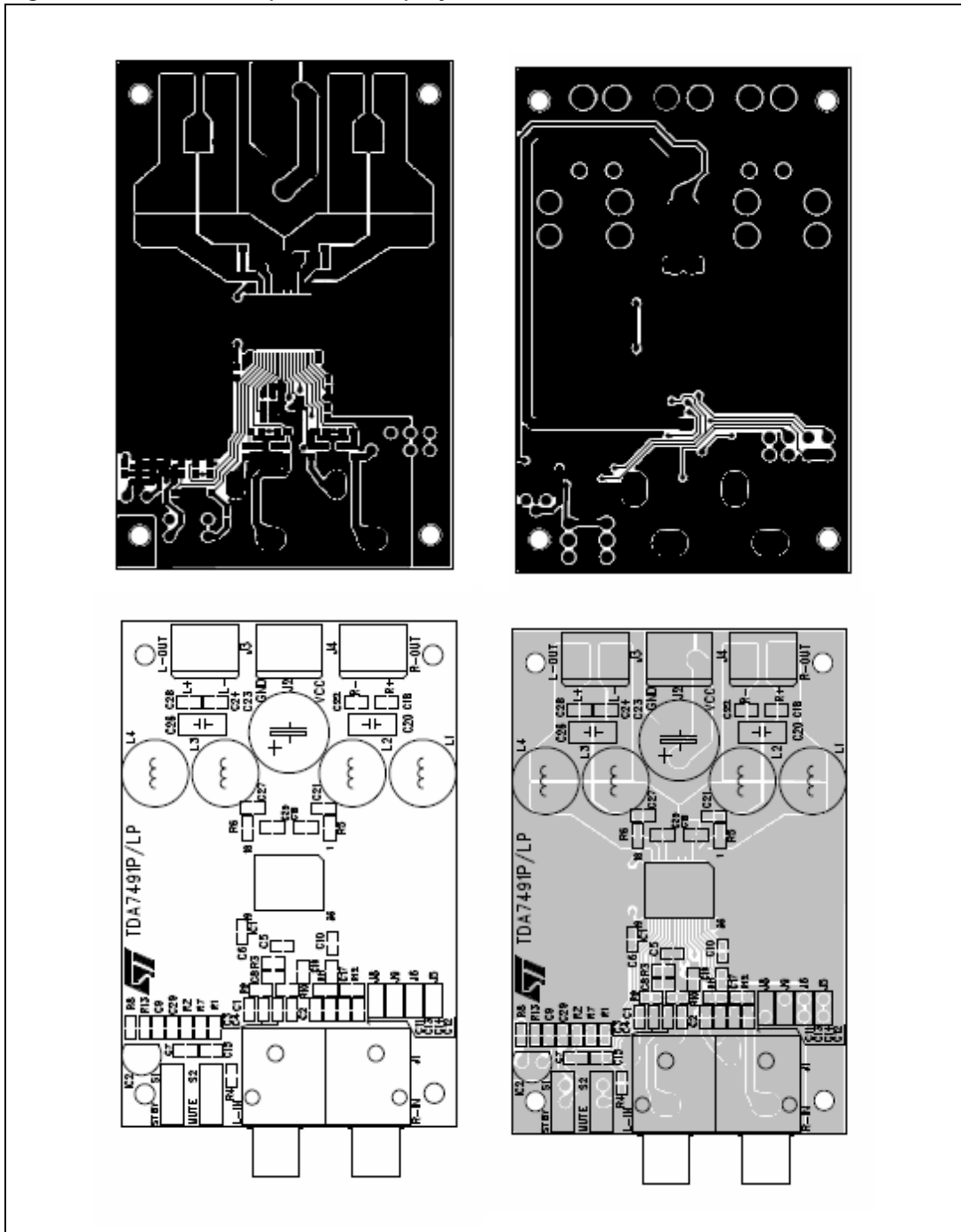
Figure 36 shows the power derating curve for the PowerSSO-36 package on PCBs with copper areas of 2 x 2 cm² and 3 x 3 cm².

Figure 36. Power derating curves for PCB used as heatsink



5.10 Test board

Figure 37. Test board (TDA7491LP) layout



6 Package mechanical data

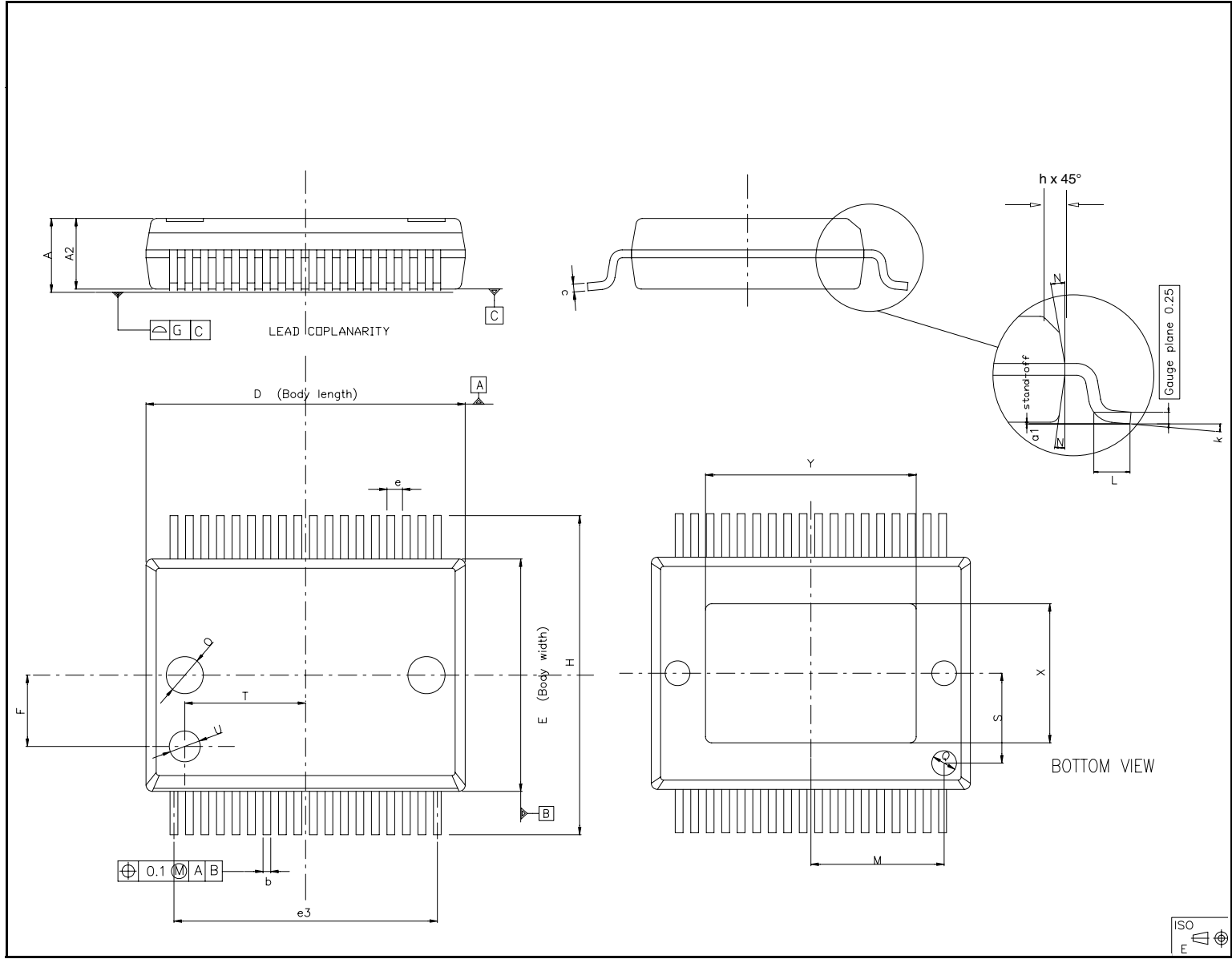
The TDA7491LP comes in a 36-pin PowerSSO package with exposed pad down (EPD). [Figure 38](#) below shows the package outline and [Table 9](#) gives the dimensions.

Table 9. PowerSSO-36 EPD dimensions

Symbol	Dimensions in mm			Dimensions in inches		
	Min	Typ	Max	Min	Typ	Max
A	2.15	-	2.47	0.085	-	0.097
A2	2.15	-	2.40	0.085	-	0.094
a1	0.00	-	0.10	0.000	-	0.004
b	0.18	-	0.36	0.007	-	0.014
c	0.23	-	0.32	0.009	-	0.013
D	10.10	-	10.50	0.398	-	0.413
E	7.40	-	7.60	0.291	-	0.299
e	-	0.5	-	-	0.020	-
e3	-	8.5	-	-	0.335	-
F	-	2.3	-	-	0.091	-
G	-	-	0.10	-	-	0.004
H	10.10	-	10.50	0.398	-	0.413
h	-	-	0.40	-	-	0.016
k	0	-	8 degrees	0	-	8 degrees
L	0.60	-	1.00	0.024	-	0.039
M	-	4.30	-	-	0.169	-
N	-	-	10 degrees	-	-	10 degrees
O	-	1.20	-	-	0.047	-
Q	-	0.80	-	-	0.031	-
S	-	2.90	-	-	0.114	-
T	-	3.65	-	-	0.144	-
U	-	1.00	-	-	0.039	-
X	4.10	-	4.70	0.161	-	0.185
Y	6.50	-	7.10	0.256	-	0.280

In order to meet environmental requirements, ST offers these devices in different grades of ECOPACK® packages, depending on their level of environmental compliance. ECOPACK® specifications, grade definitions and product status are available at: www.st.com. ECOPACK® is an ST trademark.

Figure 38. PowerSSO-36 EPD outline drawing



7 Revision history

Table 10. Document revision history

Date	Revision	Changes
02-Jul-2007	1	Initial release.
15-Oct-2008	2	Updated characterization curves.
23-Jun-2009	3	Updated text concerning oscillator R and C in Section 3.3: Electrical specifications on page 10 Updated condition for Iq test, added V _{UVP} maximum value, updated THD maximum value, updated STBY and MUTE voltages in Table 5: Electrical specifications on page 10 Updated equation for f _{SW} on page 11 and on page 27 Updated Figure 26: Applications circuit for class-D amplifier on page 24 Updated Section 5.7: Protection functions on page 31 .
04-Sep-2009	4	Added text for exposed pad in Figure 2 on page 7 Added text for exposed pad in Table 2 on page 8 Updated exposed pad Y (Min) dimension in Table 9 on page 34 Updated supply voltage for pin DIAG pull-up resistor in Section 5.8 on page 31 .
23-Mar-2011	5	Updated operating temperature range in Table 1 on page 1 Modified description of pins 10, 11 in Table 2 on page 8 Added V _I and updated operating temperature range in Table 3: Absolute maximum ratings on page 9 Updated Table 4: Thermal data on page 9 Updated Table 5: Electrical specifications on page 10 Updated introduction and characterization curves in Section 4 on page 12 Moved test board layout to Section 5.10 on page 33 Moved package mechanical data to Section 6 on page 34 Updated applications circuit in Figure 26 on page 24 Updated Table 7: Gain settings on page 26 Updated Section 5.6: Modulation on page 28 Added Figure 34: Filterless application schematic on page 30 Removed overvoltage protection from Section 5.7: Protection functions on page 31 Updated Section 5.9: Heatsink requirements on page 32 Updated exposed pad dimension Y in Table 9 on page 34

Please Read Carefully:

Information in this document is provided solely in connection with ST products. STMicroelectronics NV and its subsidiaries ("ST") reserve the right to make changes, corrections, modifications or improvements, to this document, and the products and services described herein at any time, without notice.

All ST products are sold pursuant to ST's terms and conditions of sale.

Purchasers are solely responsible for the choice, selection and use of the ST products and services described herein, and ST assumes no liability whatsoever relating to the choice, selection or use of the ST products and services described herein.

No license, express or implied, by estoppel or otherwise, to any intellectual property rights is granted under this document. If any part of this document refers to any third party products or services it shall not be deemed a license grant by ST for the use of such third party products or services, or any intellectual property contained therein or considered as a warranty covering the use in any manner whatsoever of such third party products or services or any intellectual property contained therein.

UNLESS OTHERWISE SET FORTH IN ST'S TERMS AND CONDITIONS OF SALE ST DISCLAIMS ANY EXPRESS OR IMPLIED WARRANTY WITH RESPECT TO THE USE AND/OR SALE OF ST PRODUCTS INCLUDING WITHOUT LIMITATION IMPLIED WARRANTIES OF MERCHANTABILITY, FITNESS FOR A PARTICULAR PURPOSE (AND THEIR EQUIVALENTS UNDER THE LAWS OF ANY JURISDICTION), OR INFRINGEMENT OF ANY PATENT, COPYRIGHT OR OTHER INTELLECTUAL PROPERTY RIGHT.

UNLESS EXPRESSLY APPROVED IN WRITING BY AN AUTHORIZED ST REPRESENTATIVE, ST PRODUCTS ARE NOT RECOMMENDED, AUTHORIZED OR WARRANTED FOR USE IN MILITARY, AIR CRAFT, SPACE, LIFE SAVING, OR LIFE SUSTAINING APPLICATIONS, NOR IN PRODUCTS OR SYSTEMS WHERE FAILURE OR MALFUNCTION MAY RESULT IN PERSONAL INJURY, DEATH, OR SEVERE PROPERTY OR ENVIRONMENTAL DAMAGE. ST PRODUCTS WHICH ARE NOT SPECIFIED AS "AUTOMOTIVE GRADE" MAY ONLY BE USED IN AUTOMOTIVE APPLICATIONS AT USER'S OWN RISK.

Resale of ST products with provisions different from the statements and/or technical features set forth in this document shall immediately void any warranty granted by ST for the ST product or service described herein and shall not create or extend in any manner whatsoever, any liability of ST.

ST and the ST logo are trademarks or registered trademarks of ST in various countries.

Information in this document supersedes and replaces all information previously supplied.

The ST logo is a registered trademark of STMicroelectronics. All other names are the property of their respective owners.

© 2011 STMicroelectronics - All rights reserved

STMicroelectronics group of companies

Australia - Belgium - Brazil - Canada - China - Czech Republic - Finland - France - Germany - Hong Kong - India - Israel - Italy - Japan - Malaysia - Malta - Morocco - Philippines - Singapore - Spain - Sweden - Switzerland - United Kingdom - United States of America

www.st.com

Компания «Океан Электроники» предлагает заключение долгосрочных отношений при поставках импортных электронных компонентов на взаимовыгодных условиях!

Наши преимущества:

- Поставка оригинальных импортных электронных компонентов напрямую с производств Америки, Европы и Азии, а так же с крупнейших складов мира;
- Широкая линейка поставок активных и пассивных импортных электронных компонентов (более 30 млн. наименований);
- Поставка сложных, дефицитных, либо снятых с производства позиций;
- Оперативные сроки поставки под заказ (от 5 рабочих дней);
- Экспресс доставка в любую точку России;
- Помощь Конструкторского Отдела и консультации квалифицированных инженеров;
- Техническая поддержка проекта, помощь в подборе аналогов, поставка прототипов;
- Поставка электронных компонентов под контролем ВП;
- Система менеджмента качества сертифицирована по Международному стандарту ISO 9001;
- При необходимости вся продукция военного и аэрокосмического назначения проходит испытания и сертификацию в лаборатории (по согласованию с заказчиком);
- Поставка специализированных компонентов военного и аэрокосмического уровня качества (Xilinx, Altera, Analog Devices, Intersil, Interpoint, Microsemi, Actel, Aeroflex, Peregrine, VPT, Syfer, Eurofarad, Texas Instruments, MS Kennedy, Miteq, Cobham, E2V, MA-COM, Hittite, Mini-Circuits, General Dynamics и др.);

Компания «Океан Электроники» является официальным дистрибьютором и эксклюзивным представителем в России одного из крупнейших производителей разъемов военного и аэрокосмического назначения «JONHON», а так же официальным дистрибьютором и эксклюзивным представителем в России производителя высокотехнологичных и надежных решений для передачи СВЧ сигналов «FORSTAR».



JONHON

«JONHON» (основан в 1970 г.)

Разъемы специального, военного и аэрокосмического назначения:

(Применяются в военной, авиационной, аэрокосмической, морской, железнодорожной, горно- и нефтедобывающей отраслях промышленности)

«FORSTAR» (основан в 1998 г.)

ВЧ соединители, коаксиальные кабели, кабельные сборки и микроволновые компоненты:

(Применяются в телекоммуникациях гражданского и специального назначения, в средствах связи, РЛС, а так же военной, авиационной и аэрокосмической отраслях промышленности).



Телефон: 8 (812) 309-75-97 (многоканальный)

Факс: 8 (812) 320-03-32

Электронная почта: ocean@oceanchips.ru

Web: <http://oceanchips.ru/>

Адрес: 198099, г. Санкт-Петербург, ул. Калинина, д. 2, корп. 4, лит. А