

High Performance LVPECL Oscillator with Frequency Margining – I²C Control

Features

- Low jitter crystal oscillator (XO)
- Less than 1 ps typical root mean square (RMS) phase jitter
- Differential low-voltage positive emitter coupled logic (LVPECL) output
- Output frequency from 50 MHz to 690 MHz
- Frequency margining through I²C bus
- Factory-configured or field-programmable
- Integrated phase-locked loop (PLL)
- Pb-free package: 5.0 × 3.2 mm leadless chip carrier (LCC)
- Supply voltage: 3.3 V or 2.5 V
- Commercial and industrial temperature ranges

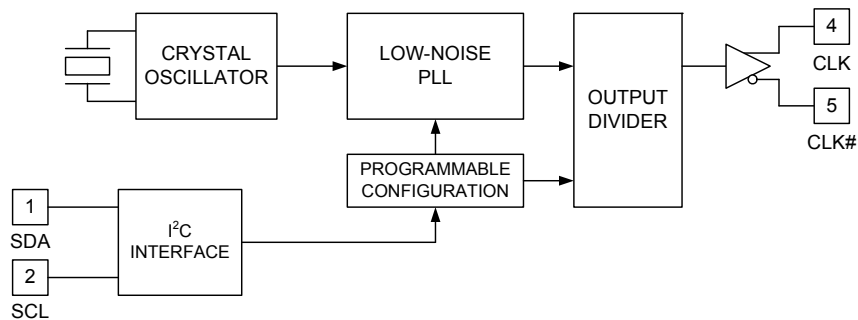
Functional Description

The CY2XF24 is a high-performance and high-frequency XO. It uses a Cypress-proprietary low-noise PLL to synthesize the frequency from an integrated crystal. The output frequency can be changed using the I²C bus serial interface, allowing easy frequency margin testing in applications.

The CY2XF24 is available as a factory-configured device or as a field-programmable device. Factory-configured devices are configured for general use (see [Standard and Application-Specific Factory Configurations on page 4](#)) or they can be customer specific.

For a complete list of related documentation, [click here](#).

Logic Block Diagram

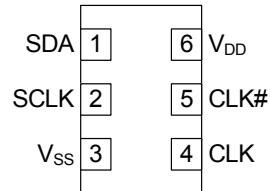


Contents

Pinouts	3	Random Read	7
Pin Definitions	3	Sequential Read	7
Standard and Application-Specific		Absolute Maximum Conditions	10
Factory Configurations	4	Operating Conditions	10
Functional Description	4	DC Electrical Characteristics	11
Configuration Software	4	AC Electrical Characteristics	12
Programming Description	5	I²C Bus Timing Specifications	13
Field-Programmable CY2XF24F	5	Typical Output Characteristics	14
Factory-Configured CY2XF24	5	Measurement Definitions	15
Programming Variables	5	Termination Circuits	15
Output Frequencies	5	Ordering Information	16
Industrial versus Commercial Device Performance	5	Possible Configurations	16
Memory Map	6	Package Drawings and Dimensions	17
Serial Interface Protocol and Timing	6	Acronyms	18
Device Address	6	Document Conventions	18
Data Valid	6	Units of Measure	18
Data Frame	6	Document History Page	19
Acknowledge Pulse	6	Sales, Solutions, and Legal Information	20
Write Operations	7	Worldwide Sales and Design Support	20
Writing Individual Bytes	7	Products	20
Writing Multiple Bytes	7	PSoC® Solutions	20
Read Operations	7	Cypress Developer Community	20
Current Address Read	7	Technical Support	20

Pinouts

Figure 1. 6-pin Ceramic LCC pinout



Pin Definitions

Pin	Name	I/O Type	Description
1	SDA	I/O	I ² C serial data
2	SCLK	CMOS input	I ² C serial clock
4, 5	CLK, CLK#	LVPECL output	Differential output clock
6	V _{DD}	Power	Supply voltage: 2.5 V or 3.3 V
3	V _{SS}	Power	Ground

Standard and Application-Specific Factory Configurations

Part Number	Output Frequency	Frequency Word	RMS Phase Jitter (Random)	
			Offset Range	Jitter (Typical)
CY2XF24LXI009T	100 MHz (default)	0	12 kHz to 20 MHz	0.85 ps
	156.25 MHz	1	12 kHz to 20 MHz	0.76 ps
	350 MHz	2	12 kHz to 20 MHz	0.71 ps
	400 MHz	3	12 kHz to 20 MHz	0.69 ps

Functional Description

The CY2XF24 is a PLL-based high-performance clock generator. It uses an internal crystal oscillator as a reference, and outputs one differential LVPECL clock. It has an I²C bus serial interface^[1], which is used to change the output frequency.

The CY2XF24 comes configured for four different frequencies. At power-on, the four configurations are transparently loaded into an internal volatile memory which, in turn, controls the PLL. You can switch between the four frequencies through the I²C bus. You can also configure the CY2XF24 with new output frequencies by shifting new data into the internal memory.

Frequency margining is a common application for this feature. One frequency is used for the standard operating mode of the device, while additional frequencies are available for margin testing, either during product development or in-system manufacturing test.

Note that all configuration changes made using I²C are temporary and are lost when power is removed from the device. At power-on, the device returns to its original state.

The configuration for a particular frequency is stored in a 6-byte block of memory, known as a word. The CY2XF24 has four such words, labeled 'Frequency Word 0' through 'Frequency Word 3'. An additional register byte contains a 2-bit field, which selects one of the four frequency words. By writing to this Select Byte, you can switch back and forth between the four programmed frequencies. The select byte can be configured to select any of the four frequency words at power-on.

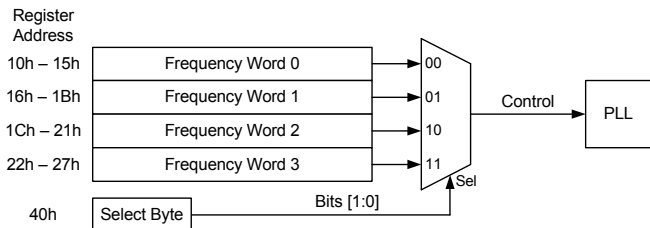
When changing the output frequency, the frequency transition is not guaranteed to be smooth. There can be frequency excursions beyond the start frequency and the new frequency.

Glitches and runt pulses are possible, and time must be allowed for the PLL to relock.

If more than four frequencies are needed, the I²C bus can be used to change any of the four frequency words. When writing frequency words through I²C, you should not change the currently selected word. Instead, write one of the three unselected words before changing the select byte to select that new word.

Figure 2 shows how the frequency words are arranged and selected.

Figure 2. Frequency Words



Configuration Software

Cypress provides CyClockWizard™ software that enables the users to create data values for shifting into the frequency words. This software is required because the algorithm is too complicated to be described here.

The user specifies the output frequency. The software then calculates the bit stream for up to four frequency words, as outlined by the register addresses for each word seen in Figure 2.

Note

1. The serial interface is I²C Bus compliant, with the following exceptions: SDA input leakage current, SDA input capacitance, SDA and SCLK are clamped to V_{DD}, setup time, and output hold time.

Programming Description

The CY2XF24 is a programmable device. Before being used in an application, it must be programmed with the output frequencies and other variables described in [Programming Variables on page 5](#). Two different device types are available, each with its own programming flow. They are described in the following section.

Field-Programmable CY2XF24F

Field programmable devices are shipped unprogrammed and must be programmed before being installed on a printed circuit board (PCB). Customers use [CyClockWizard™](#) Software to specify the device configuration and generate a joint electron devices engineering council (JEDEC - extension .jed) programming file. Programming of samples and prototype quantities is available using the CyClockWizard software along with a [CY3675-CLKMAKER1 CyClockMaker Clock Programmer Kit](#) with a [CY3675-LCC6A socket adapter](#). Cypress's value added distribution partners also provide programming services. Field programmable devices are designated with an 'F' in the part number. They are intended for quick prototyping and inventory reduction. The software and programmer kit hardware can be downloaded from www.cypress.com by clicking the hyperlinks above.

Factory-Configured CY2XF24

For ready-to-use devices, the CY2XF24 is available with no field programming required. Pre-configured devices (see ["Standard and Application-Specific Factory Configurations"](#) on page 4) are available for samples or orders, or a request for a custom configuration can be made. All requests are submitted to the local Cypress field application engineer (FAE) or sales representative. After the request is processed, the user receives a new part number, samples, and datasheet with the programmed values. This part number is used for additional

sample requests and production orders. The CY2XF24 is one-time programmable (OTP).

Programming Variables

Output Frequencies

The CY2XF24 is programmed with up to four independent output frequencies, which are then selected using the I²C interface. The device can synthesize frequencies to a resolution of 1 part per million (ppm), but the actual accuracy of the output frequency is limited by the accuracy of the integrated reference crystal.

The CY2XF24 has an output frequency range of 50 MHz to 690 MHz, but the range is not continuous. The CY2XF24 cannot generate frequencies in the ranges of 521 MHz to 529 MHz, and 596 MHz to 617 MHz.

Industrial versus Commercial Device Performance

Industrial and commercial devices have different internal crystals. They have a potentially significant impact on performance levels for applications requiring the lowest possible phase noise. CyClockWizard software allows the user to select between and view the expected performance of both options.

Table 1. Device Programming Variables

Variable
Output frequency 0
Output frequency 1
Output frequency 2
Output frequency 3
Temperature range (commercial or industrial)

Memory Map

Five fields can be written through the I²C bus. Four frequency words define the output frequency. As shown in [Table 2](#), each of these words is a 6-byte field. When writing to a frequency word, all six bytes should be written. They may be written either as individual byte writes, or as a block write. The currently selected frequency word should not be written to. All four words are symmetrical, meaning that a 6-byte value that is valid for one word is also valid for any of the other words, and produce the same frequency.

The fifth field is the select byte, located at byte address 40h. The value written into the two least significant bits determines the active frequency word. The other bits of the byte are reserved and must be written with the values indicated in the table.

The users should never write to any address other than the 25 bytes described here.

Table 2. Frequency Words

Frequency Word	Byte Addresses (hex)	Word Select (Select Byte 40h)
0	10h to 15h	00
1	16h to 1Bh	01
2	1Ch to 21h	10
3	22h to 27h	11

Table 3. Register 40h: Select Byte

Bits	Default Value (binary)	Name	Description
7:2	000000	Reserved	Reserved. Always write this value
1:0	User-defined	Word Select	Selects the Frequency Word to determine the output frequency. 00 selects Word 0; 01 selects Word 1; 10 selects Word 2; 11 selects Word 3

Serial Interface Protocol and Timing

The CY2XF24 uses pins SDA and SCLK for an I²C bus that operates up to 100 kbits/sec in read or write mode. The CY2XF24 is always a slave on this bus, meaning that it never initiates a bus transaction. The basic write protocol is as follows:

Start Bit; 7-bit Device Address (DA); R/W Bit; Slave Clock Acknowledge (ACK); 8-bit Memory Address (MA); ACK; 8-bit Data; ACK; 8-bit Data in MA+1 if desired; ACK; 8-bit Data in MA+2; ACK; and so on, until STOP Bit. The basic serial format is illustrated in [Figure 4 on page 8](#).

Device Address

The device I²C address is a 7-bit value. The default I²C address, which appears in [CyClockWizard](#) is 69H, which can be changed to any other value while generating configuration using [CyClockWizard](#). Note that the Field Programmable (unprogrammed^[2]) devices has default address as 59H.

Data Valid

Data is valid when the clock is HIGH, and may only be transitioned when the clock is LOW as illustrated in [Figure 5 on page 9](#).

Data Frame

Every new data frame is indicated by a start and stop sequence, as illustrated in [Figure 6 on page 9](#).

START sequence - Start frame is indicated by SDA going LOW when SCLK is HIGH. Every time a start signal is given, the next 8-bit data must be the device address (seven bits) and a R/W bit, followed by register address (eight bits) and register data (eight bits).

STOP sequence - Stop frame is indicated by SDA going HIGH when SCLK is HIGH. A stop frame frees the bus for writing to another part on the same bus or writing to another random register address.

Acknowledge Pulse

During write mode, the CY2XF24 responds with an Acknowledge (ACK) pulse after every eight bits. This is accomplished by pulling the SDA line LOW during the N*9th clock cycle as illustrated in [Figure 7 on page 9](#). (N = the number of bytes transmitted). After the data packet is sent during read mode, the master generates the acknowledge.

Note

- Field programmable devices are shipped unprogrammed and must be programmed before being installed on a PCB. An unprogrammed device will output the crystal frequency of the integrated crystal (25 MHz for commercial and 38.8 MHz for industrial).

Write Operations

Writing Individual Bytes

A valid write operation must have a full 8-bit register address after the device address word from the master, which is followed by an acknowledge bit from the slave (SDA = 0/LOW). The next eight bits must contain the data word intended for storage. After the data word is received, the slave responds with another acknowledge bit (SDA = 0/LOW), and the master must end the write sequence with a STOP condition.

Writing Multiple Bytes

To write more than one byte at a time, the master does not end the write sequence with a stop condition. Instead, the master can send multiple contiguous bytes of data to be stored. After each byte, the slave responds with an acknowledge bit, just like after the first byte, and accept data until the acknowledge bit is responded to by the STOP condition. When receiving multiple bytes, the CY2XF24 internally increments the register address.

Read Operations

Read operations are initiated the same way as write operations except that the R/W bit of the slave address is set to '1' (HIGH). There are three basic read operations: current address read, random read, and sequential read.

Current Address Read

The CY2XF24 has an onboard address counter that retains 1 more than the address of the last word access. If the last word written or read was word 'n', then a current address read operation would return the value stored in location 'n+1'. When

the CY2XF24 receives the slave address with the R/W bit set to a '1', the CY2XF24 issues an acknowledge and transmits the 8-bit word. The master device does not acknowledge the transfer, but does generate a STOP condition, which causes the CY2XF24 to stop transmission.

Random Read

Through random read operations, the master may access any memory location. To perform this type of read operation, first the word address must be set. This is accomplished by sending the address to the CY2XF24 as part of a write operation. After the word address is sent, the master generates a START condition following the acknowledge. This terminates the write operation before any data is stored in the address, but not before the internal address pointer is set. Next the master reissues the control byte with the R/W byte set to '1'. The CY2XF24 then issues an acknowledge and transmits the 8-bit word. The master device does not acknowledge the transfer, but does generate a STOP condition which causes the CY2XF24 to stop transmission.

Sequential Read

Sequential read operations follow the same process as random reads except that the master issues an acknowledge instead of a STOP condition after transmission of the first 8-bit data word. This action results in an incrementing of the internal address pointer, and subsequently output of the next 8-bit data word. By continuing to issue acknowledges instead of STOP conditions, the master may serially read the entire contents of the slave device memory. When the internal address pointer points to the FFh register, after the next increment, the pointer points to the 00h register.

Figure 3. Data Transfer Sequence on the Serial Bus

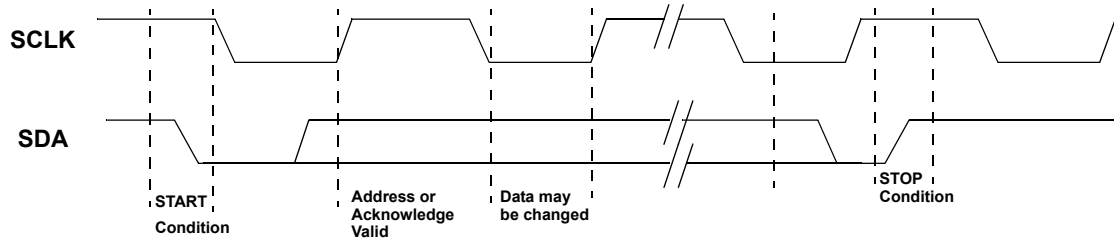


Figure 4. Data Frame Architecture

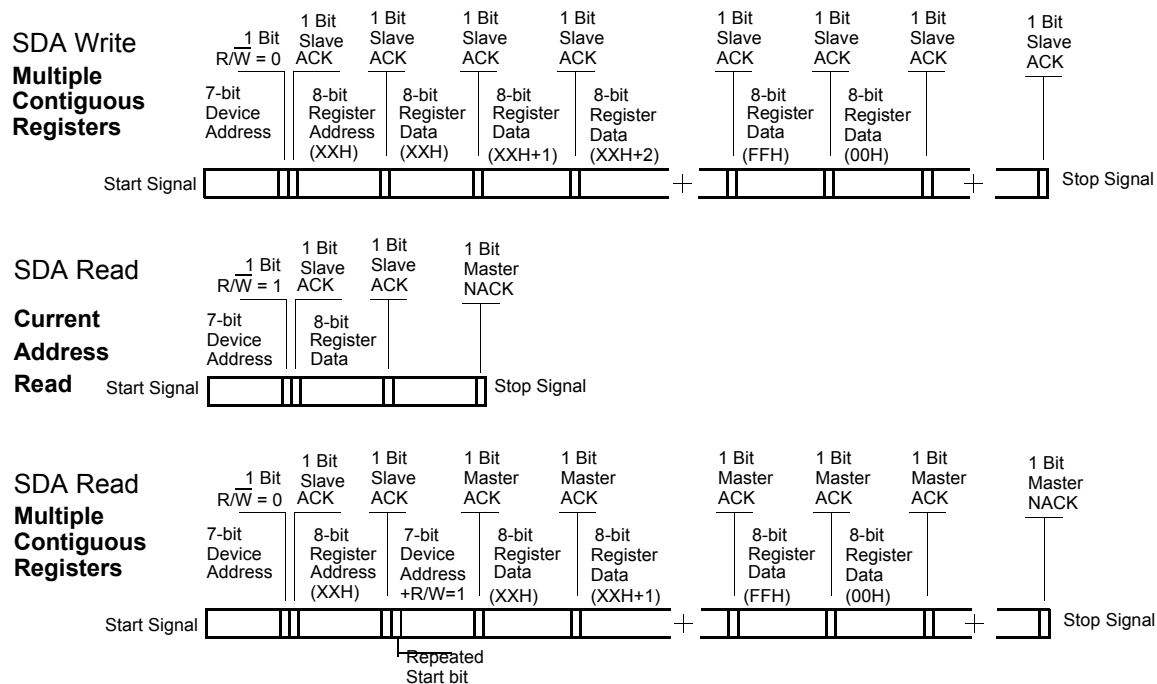


Figure 5. Data Valid and Data Transition Periods

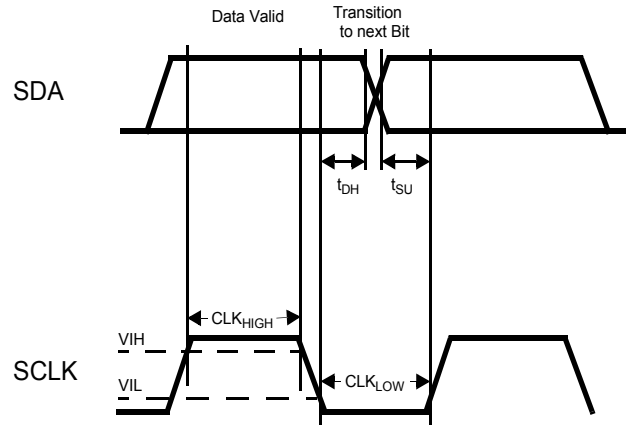


Figure 6. Start and Stop Frame

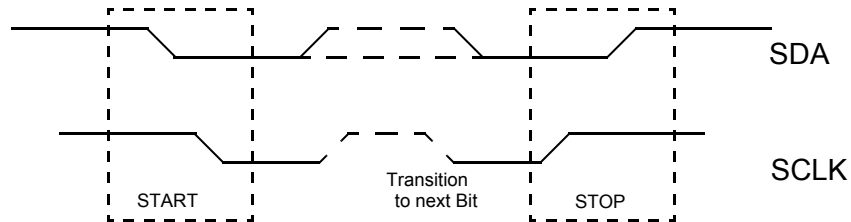
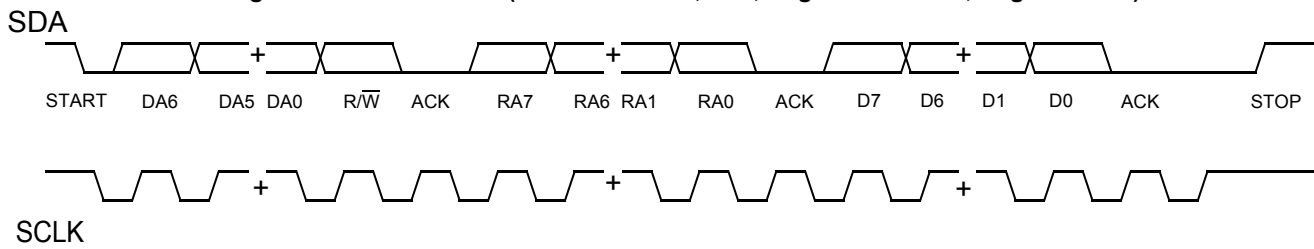


Figure 7. Frame Format (Device Address, $\overline{R/W}$, Register Address, Register Data)



Absolute Maximum Conditions

Parameter	Description	Condition	Min	Max	Unit
V_{DD}	Supply voltage		-0.5	4.4	V
$V_{IN}^{[3]}$	Input voltage, DC	Relative to V_{SS}	-0.5	$V_{DD} + 0.5$	V
T_S	Temperature, storage	Non Operating	-55	135	°C
T_J	Temperature, junction		-40	135	°C
ESD_{HBM}	Electrostatic discharge (ESD) protection human body model (HBM)	JEDEC STD 22-A114-B	2000	-	V
$\Theta_{JA}^{[4]}$	Thermal resistance, junction to ambient	0 m/s airflow	64		°C/W

Operating Conditions

Parameter	Description	Min	Typ	Max	Unit
V_{DD}	3.3-V supply voltage range	3.135	3.3	3.465	V
	2.5-V supply voltage range	2.375	2.5	2.625	V
T_{PU}	Power-up time for V_{DD} to reach minimum specified voltage (power ramp is monotonic)	0.05	-	500	ms
T_A	Ambient temperature (commercial)	0	-	70	°C
	Ambient temperature (industrial)	-40	-	85	°C

Notes

3. The voltage on any input or I/O pin cannot exceed the power pin during power-up.
4. Simulated. The board is derived from the JEDEC multilayer standard. It measures 76 x 114 x 1.6 mm and has 4-layers of copper (2/1/1/2 oz.). The internal layers are 100% copper planes, while the top and bottom layers have 50% metalization. No vias are included in the model.

DC Electrical Characteristics

Parameter	Description	Condition	Min	Typ	Max	Unit
$I_{DD}^{[5]}$	Operating supply current	$V_{DD} = 3.465\text{ V}$, CLK = 150 MHz, output terminated	–	–	150	mA
		$V_{DD} = 2.625\text{ V}$, CLK = 150 MHz, output terminated	–	–	145	mA
V_{OH}	LVPECL high output voltage	$V_{DD} = 3.3\text{ V}$ or 2.5 V , $R_{TERM} = 50\ \Omega$ to $V_{DD} - 2.0\text{ V}$	$V_{DD} - 1.15$	–	$V_{DD} - 0.75$	V
V_{OL}	LVPECL low output voltage	$V_{DD} = 3.3\text{ V}$ or 2.5 V , $R_{TERM} = 50\ \Omega$ to $V_{DD} - 2.0\text{ V}$	$V_{DD} - 2.0$	–	$V_{DD} - 1.625$	V
V_{OD1}	LVPECL output voltage swing ($V_{OH} - V_{OL}$)	$V_{DD} = 3.3\text{ V}$ or 2.5 V , $R_{TERM} = 50\ \Omega$ to $V_{DD} - 2.0\text{ V}$	600	–	1000	mV
V_{OD2}	LVPECL output voltage swing ($V_{OH} - V_{OL}$)	$V_{DD} = 2.5\text{ V}$, $R_{TERM} = 50\ \Omega$ to $V_{DD} - 1.5\text{ V}$	500	–	1000	mV
V_{OCM}	LVPECL output common mode voltage ($(V_{OH} + V_{OL})/2$)	$V_{DD} = 2.5\text{ V}$, $R_{TERM} = 50\ \Omega$ to $V_{DD} - 1.5\text{ V}$	1.2	–	–	V
V_{OLS}	Output low voltage (SDA)	$I_{OL} = 4\text{ mA}$	–	–	$0.1 \times V_{DD}$	V
V_{IH}	Input high voltage		$0.7 \times V_{DD}$	–	–	V
V_{IL}	Input low voltage		–	–	$0.3 \times V_{DD}$	V
I_{IH0}	Input high current (SDA)	Input = V_{DD}	–	–	115	μA
I_{IH1}	Input high current (SCLK)	Input = V_{DD}	–	–	10	μA
I_{IL0}	Input low current (SDA)	Input = V_{SS}	–50	–	–	μA
I_{IL1}	Input low current (SCLK)	Input = V_{SS}	–20	–	–	μA
$C_{IN0}^{[6]}$	Input capacitance (SDA)		–	15	–	pF
$C_{IN1}^{[6]}$	Input capacitance (SCLK)		–	4	–	pF

Notes

- I_{DD} includes ~24 mA of current that is dissipated externally in the output termination resistors.
- Not 100% tested, guaranteed by design and characterization.

AC Electrical Characteristics

Parameter ^[7]	Description	Condition	Min	Typ	Max	Unit
F _{OUT}	Output frequency ^[8]		50	–	690	MHz
FSC	Frequency stability, commercial devices ^[9]	T _A = 0 °C to 70 °C	–	–	±35	ppm
FSI	Frequency stability, industrial devices ^[9]	T _A = –40 °C to 85 °C	–	–	±55	ppm
AG	Aging, 10 years		–	–	±15	ppm
T _{DC}	Output duty cycle	F ≤ 450 MHz, measured at zero crossing	45	50	55	%
		F > 450 MHz, measured at zero crossing	40	50	60	%
T _R , T _F	Output rise and fall time	20% and 80% of full output swing	0.2	0.4	1.0	ns
T _{LOCK}	Startup time	Time for CLK to reach valid frequency measured from the time V _{DD} = V _{DD(min)}	–	–	10	ms
T _{LSE}	Relock time	Time for CLK to reach valid frequency from serial bus change to select bits in register 40h, measured from I ² C STOP	–	–	10	ms
T _{Jitter(φ)}	RMS phase jitter (random)	F _{OUT} = 106.25 MHz (12 kHz to 20 MHz)	–	1	–	ps
		Pre-defined factory configurations ^[10]	See Note 10			ps

Notes

7. Not 100% tested, guaranteed by design and characterization.
8. This parameter is specified in CyClockMaker software.
9. Frequency stability is the maximum variation in frequency from F₀. It includes initial accuracy, plus variation from temperature and supply voltage.
10. Typical phase noise specs for factory programmed devices are listed in the table [Standard and Application-Specific Factory Configurations](#) on page 4.

I²C Bus Timing Specifications

The I²C Bus Timing Specifications for part CY2XF24 are as follows.

Parameter ^[11]	Description	Min	Max	Unit
f _{SCLK}	SCLK frequency	–	100	kHz
t _{HD:STA}	Start mode time from SDA LOW to SCLK LOW	4	–	μs
t _{LOW}	SCLK LOW period	4.7	–	μs
t _{HIGH}	SCLK HIGH period	4	–	μs
t _{SU:DAT}	Input data setup (SDA transition to SCLK rising edge)	1000	–	ns
t _{HD:DAT}	Input data hold (SCLK falling edge to SDA transition)	0	–	ns
t _{HD:DO}	Output data hold (SCLK falling edge to SDA transition)	200	–	ns
t _{SR}	Rise time of SCLK and SDA	–	300	ns
t _{SF}	Fall time of SCLK and SDA	–	300	ns
t _{SU:STO}	Stop mode time from SCLK HIGH to SDA HIGH	4	–	μs
t _{BUF}	Stop mode to Start mode	4.7	–	μs

Note

11. Not 100% tested, guaranteed by design and characterization.

Typical Output Characteristics

Figure 8. 2.5-V Supply and Termination to $V_{DD}-1.5$ V, minimum V_{DD} and maximum T_A

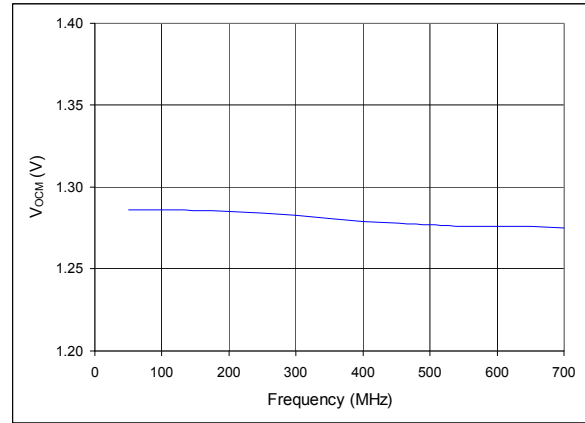
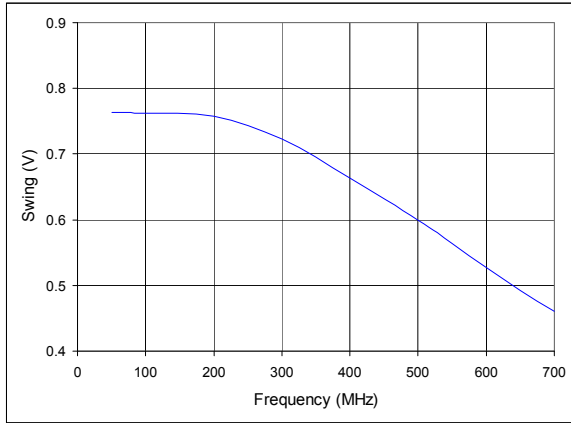


Figure 9. 2.5-V Supply and Termination to $V_{DD}-2$ V, minimum V_{DD} and maximum T_A

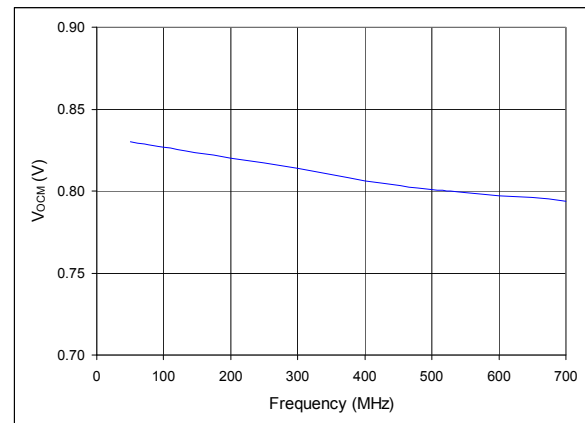
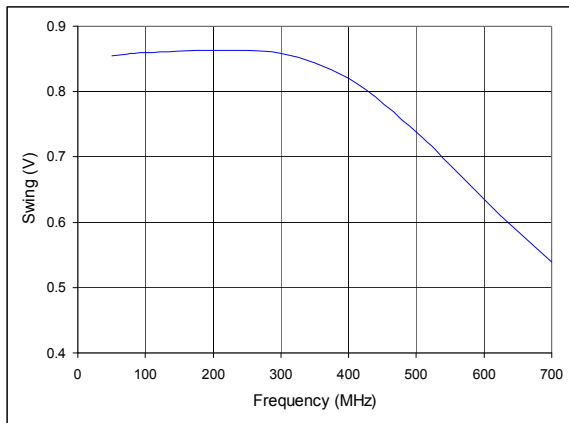
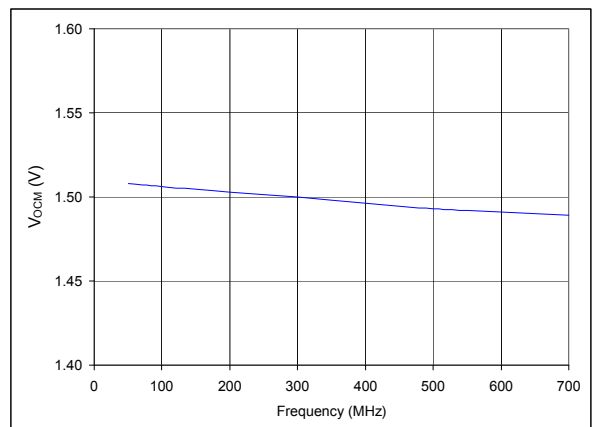
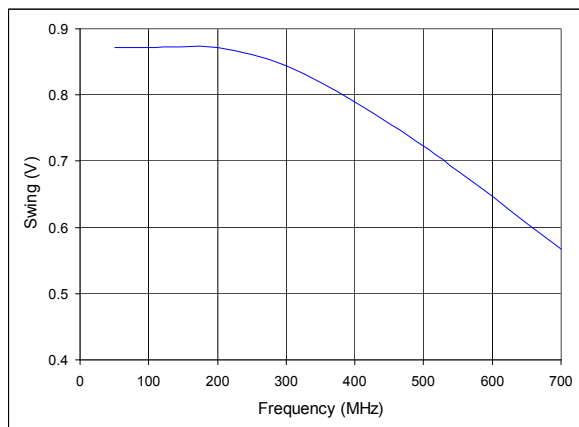


Figure 10. 3.3-V Supply and Termination to $V_{DD}-2$ V, minimum V_{DD} and maximum T_A



Measurement Definitions

Figure 11. Output DC Parameters

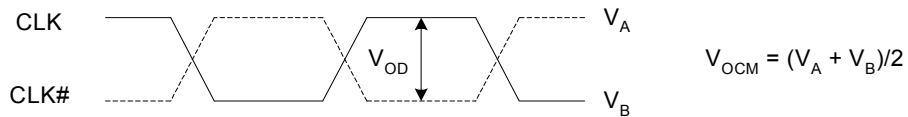


Figure 12. Duty Cycle Timing

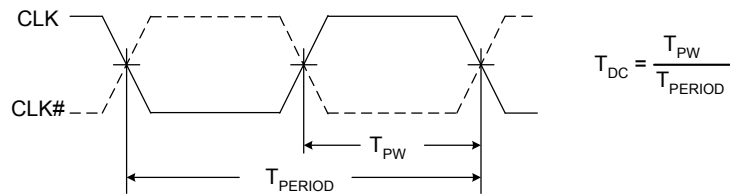
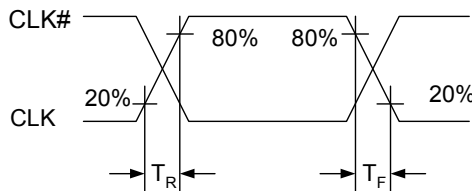
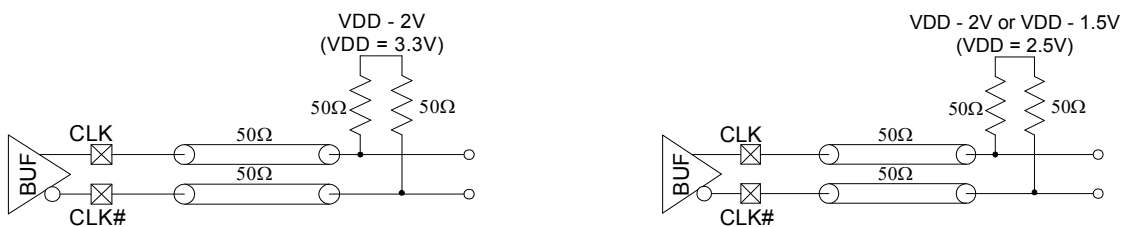


Figure 13. Output Rise and Fall Time



Termination Circuits

Figure 14. LVPECL Termination



Ordering Information

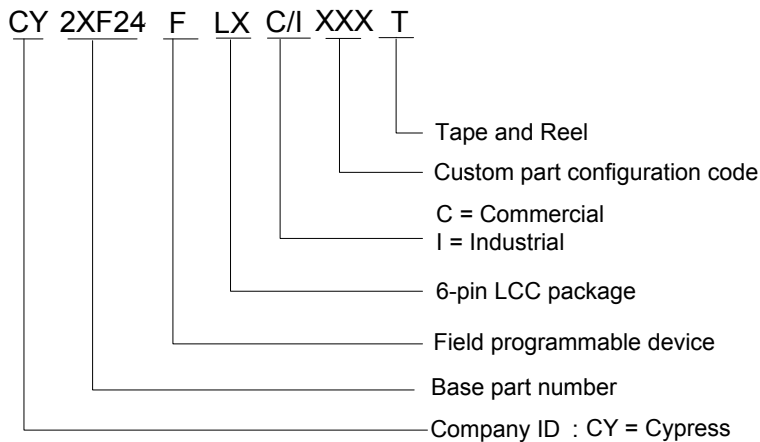
Part Number	Configuration	Package Description	Product Flow
Pb-free			
CY2XF24LXI009T ^[12]	Factory-Configured	6-pin ceramic LCC SMD – Tape and Reel	Industrial, –40 °C to 85 °C

Some product offerings are factory-programmed customer-specific devices with customized part numbers. The [Possible Configurations](#) table shows the available device types, but not complete part numbers. Contact your local Cypress FAE or sales representative for more information.

Possible Configurations

Part Number ^[13]	Configuration	Package Description	Product Flow
Pb-free			
CY2XF24LXCxxxT	Factory-configured	6-pin ceramic LCC SMD – Tape and Reel	Commercial, 0 °C to 70 °C
CY2XF24LXIxxxT	Factory-configured	6-pin ceramic LCC SMD – Tape and Reel	Industrial, –40 °C to 85 °C

Ordering Code Definitions



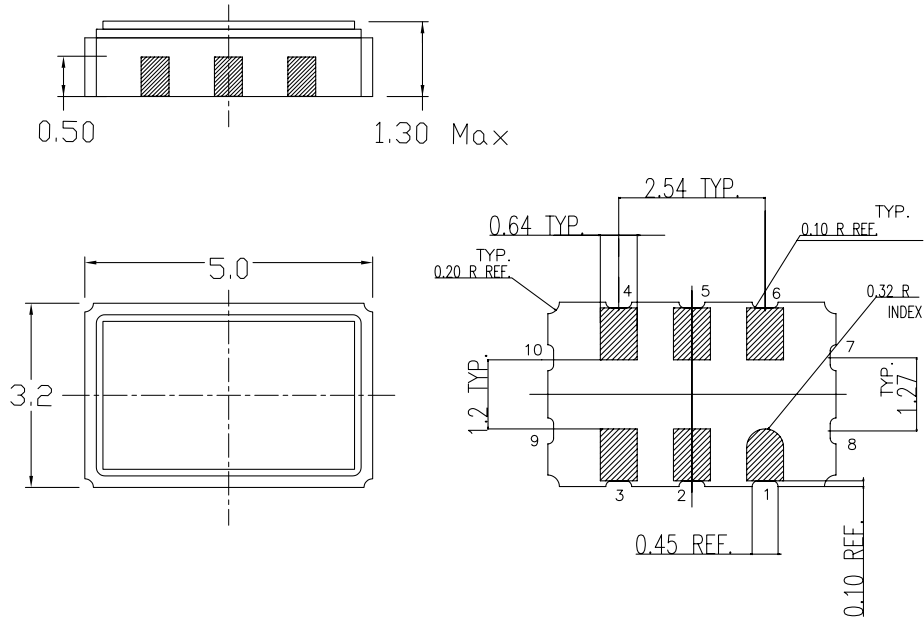
Notes

12. Device configuration details are described in the table [Standard and Application-Specific Factory Configurations on page 4](#).

13. "xxx" indicates factory programmed parts based on customer specific configuration. For more details, contact your local Cypress FAE or Sales Representative.

Package Drawings and Dimensions

Figure 15. 6-pin Ceramic LCC (5.0 × 3.2 × 1.3 mm) LZ06A Package Outline, 001-10044



Dimensions in mm
 Kyocera dwg ref KD-VA6432-A
 Package Weight ~ 0.12 grams

001-10044 *C

Acronyms

Acronym	Description
XO	Crystal Oscillator
ESD	Electrostatic Discharge
FAE	Field Application Engineer
HBM	Human Body Model
JEDEC	Joint Electron Devices Engineering Council
LCC	Leadless Chip Carrier
LVDS	Low-Voltage Differential Signaling
PCB	Printed Circuit Board
PLL	Phase-Locked Loop
RMS	Root Mean Square

Document Conventions

Units of Measure

Symbol	Unit of Measure
°C	degree Celsius
kHz	kilohertz
MHz	megahertz
μA	microampere
μs	microsecond
mA	milliampere
mm	millimeter
ms	millisecond
mV	millivolt
ns	nanosecond
Ω	ohm
ppm	parts per million
%	percent
pF	picofarad
ps	picosecond
V	volt
W	watt

Document History Page

Document Title: CY2XF24, High Performance LVPECL Oscillator with Frequency Margining – I ² C Control				
Document Number: 001-53146				
Revision	ECN	Orig. of Change	Submission Date	Description of Change
**	2704379	KVM / PYRS	05/11/09	New data sheet.
*A	2718898	WWZ	06/15/09	Minor ECN to post datasheet to external web
*B	2761926	KVM	09/10/09	Revised maximum output rise and fall times
*C	2896548	KVM	03/19/10	Moved parts with 'xxx' into new table, Possible Configurations Updated package diagram
*D	2973338	CXQ	07/08/10	Added Standard and Application-Specific Factory Configurations table on page 2. Added phase jitter specs for pre-defined configurations into the AC Electrical Specifications table (note 8 refers users to the new table on page 2 for typical specs). Added CY2XF24LXI625T device to the Ordering Information table and added note 9 to reference the configuration description of the new device. Changed all references to CyberClocksOnline software to CyClockWizard. Removed section on phase noise vs jitter SW optimization. Changed description of Word Select feature from default Word 0 to user-defined.
*E	3183855	BASH	05/06/11	Changed status from Preliminary to Final. Added Units table. Updated template as per current Cypress standards.
*F	3373963	PURU	09/21/11	Updated Standard and Application-Specific Factory Configurations : Added CY2XF24LXI009T related information. Updated Ordering Information : Added new MPN CY2XF24LXI009T. Updated Package Drawings and Dimensions .
*G	3514245	PURU	02/01/2012	Updated Device Address and added note 2. Updated Package Drawings and Dimensions .
*H	3847770	AJU	01/23/2013	Updated Standard and Application-Specific Factory Configurations : Removed CY2XF24LXI625T related information. Updated Ordering Information : Removed prune part CY2XF24LXI625T.
*I	4398410	AJU	06/04/2014	Updated in new template. Completing Sunset Review.
*J	4598569	AJU	12/18/2014	Added related documentation hyperlink in page 1. Updated Figure 4 from the last ACK in SDAT Read to "NACK". Removed the prune parts CY2XF24FLXCT and CY2XF24FLXIT in Ordering Information . Updated Figure 15 in Package Drawings and Dimensions (spec 001-10044 *B to *C).

Sales, Solutions, and Legal Information

Worldwide Sales and Design Support

Cypress maintains a worldwide network of offices, solution centers, manufacturer's representatives, and distributors. To find the office closest to you, visit us at [Cypress Locations](#).

Automotive	cypress.com/go/automotive
Clocks & Buffers	cypress.com/go/clocks
Interface	cypress.com/go/interface
Lighting & Power Control	cypress.com/go/powerpsoc
Memory	cypress.com/go/memory
PSoC	cypress.com/go/psoc
Touch Sensing	cypress.com/go/touch
USB Controllers	cypress.com/go/USB
Wireless/RF	cypress.com/go/wireless

PSoC[®] Solutions

[psoc.cypress.com/solutions](#)
[PSoC 1](#) | [PSoC 3](#) | [PSoC 4](#) | [PSoC 5LP](#)

Cypress Developer Community

[Community](#) | [Forums](#) | [Blogs](#) | [Video](#) | [Training](#)

Technical Support

[cypress.com/go/support](#)

© Cypress Semiconductor Corporation, 2009-2014. The information contained herein is subject to change without notice. Cypress Semiconductor Corporation assumes no responsibility for the use of any circuitry other than circuitry embodied in a Cypress product. Nor does it convey or imply any license under patent or other rights. Cypress products are not warranted nor intended to be used for medical, life support, life saving, critical control or safety applications, unless pursuant to an express written agreement with Cypress. Furthermore, Cypress does not authorize its products for use as critical components in life-support systems where a malfunction or failure may reasonably be expected to result in significant injury to the user. The inclusion of Cypress products in life-support systems application implies that the manufacturer assumes all risk of such use and in doing so indemnifies Cypress against all charges.

Any Source Code (software and/or firmware) is owned by Cypress Semiconductor Corporation (Cypress) and is protected by and subject to worldwide patent protection (United States and foreign), United States copyright laws and international treaty provisions. Cypress hereby grants to licensee a personal, non-exclusive, non-transferable license to copy, use, modify, create derivative works of, and compile the Cypress Source Code and derivative works for the sole purpose of creating custom software and or firmware in support of licensee product to be used only in conjunction with a Cypress integrated circuit as specified in the applicable agreement. Any reproduction, modification, translation, compilation, or representation of this Source Code except as specified above is prohibited without the express written permission of Cypress.

Disclaimer: CYPRESS MAKES NO WARRANTY OF ANY KIND, EXPRESS OR IMPLIED, WITH REGARD TO THIS MATERIAL, INCLUDING, BUT NOT LIMITED TO, THE IMPLIED WARRANTIES OF MERCHANTABILITY AND FITNESS FOR A PARTICULAR PURPOSE. Cypress reserves the right to make changes without further notice to the materials described herein. Cypress does not assume any liability arising out of the application or use of any product or circuit described herein. Cypress does not authorize its products for use as critical components in life-support systems where a malfunction or failure may reasonably be expected to result in significant injury to the user. The inclusion of Cypress' product in a life-support systems application implies that the manufacturer assumes all risk of such use and in doing so indemnifies Cypress against all charges.

Use may be limited by and subject to the applicable Cypress software license agreement.

Компания «Океан Электроники» предлагает заключение долгосрочных отношений при поставках импортных электронных компонентов на взаимовыгодных условиях!

Наши преимущества:

- Поставка оригинальных импортных электронных компонентов напрямую с производств Америки, Европы и Азии, а так же с крупнейших складов мира;
- Широкая линейка поставок активных и пассивных импортных электронных компонентов (более 30 млн. наименований);
- Поставка сложных, дефицитных, либо снятых с производства позиций;
- Оперативные сроки поставки под заказ (от 5 рабочих дней);
- Экспресс доставка в любую точку России;
- Помощь Конструкторского Отдела и консультации квалифицированных инженеров;
- Техническая поддержка проекта, помощь в подборе аналогов, поставка прототипов;
- Поставка электронных компонентов под контролем ВП;
- Система менеджмента качества сертифицирована по Международному стандарту ISO 9001;
- При необходимости вся продукция военного и аэрокосмического назначения проходит испытания и сертификацию в лаборатории (по согласованию с заказчиком);
- Поставка специализированных компонентов военного и аэрокосмического уровня качества (Xilinx, Altera, Analog Devices, Intersil, Interpoint, Microsemi, Actel, Aeroflex, Peregrine, VPT, Syfer, Eurofarad, Texas Instruments, MS Kennedy, Miteq, Cobham, E2V, MA-COM, Hittite, Mini-Circuits, General Dynamics и др.);

Компания «Океан Электроники» является официальным дистрибьютором и эксклюзивным представителем в России одного из крупнейших производителей разъемов военного и аэрокосмического назначения «JONHON», а так же официальным дистрибьютором и эксклюзивным представителем в России производителя высокотехнологичных и надежных решений для передачи СВЧ сигналов «FORSTAR».



JONHON

«JONHON» (основан в 1970 г.)

Разъемы специального, военного и аэрокосмического назначения:

(Применяются в военной, авиационной, аэрокосмической, морской, железнодорожной, горно- и нефтедобывающей отраслях промышленности)

«FORSTAR» (основан в 1998 г.)

ВЧ соединители, коаксиальные кабели,
кабельные сборки и микроволновые компоненты:

(Применяются в телекоммуникациях гражданского и специального назначения, в средствах связи, РЛС, а так же военной, авиационной и аэрокосмической отраслях промышленности).



Телефон: 8 (812) 309-75-97 (многоканальный)

Факс: 8 (812) 320-03-32

Электронная почта: ocean@oceanchips.ru

Web: <http://oceanchips.ru/>

Адрес: 198099, г. Санкт-Петербург, ул. Калинина, д. 2, корп. 4, лит. А