

## Safety Light Curtain

# F3SJ Series

Three versions available to meet your exact safety needs.

All versions conform to the latest PLe/Safety Category 4 and SIL3 requirements.



» ADVANCED type supports finger protection, and complex blanking and muting functions

» **EASY type simple and affordable hand protection**

» BASIC type simple hand protection and simple muting functions

# Offering the best selection of safety light curtains for your guarding needs.

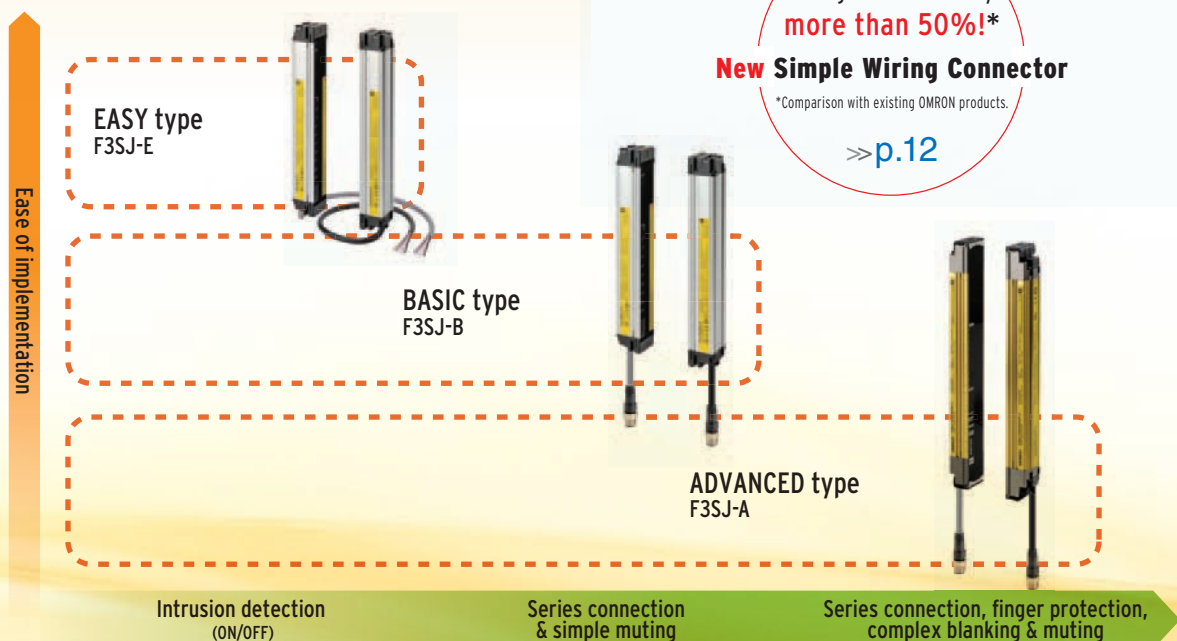
Three F3SJ types allow easy selection for your application.

Omron's new F3SJ series of safety light curtains offers a tailored approach for a variety of production environments. Conventional safety light curtains offer full-featured models, even when only simple intrusion detection is needed. The F3SJ series offers a product range that allows you to choose the best product according to your application needs.

The EASY type has been added for simple hand detection, while the BASIC type adds the potential for series connection and simple muting functions.

The F3SJ series now allows you to select the best safety light curtain for your application environment without paying for unused functions.

- For simple and affordable hand protection:  
The **EASY type (F3SJ-E)**
- For simple hand protection, series connection and muting functions:  
The **BASIC type (F3SJ-B)**
- For finger protection, series connection, complex blanking and muting functions:  
The **ADVANCED type (F3SJ-A)**





**[Applicable Standards]**

- EN ISO 13849-1: PLc/Safety Category 4
- IEC 61496-1,-2: Type 4
- IEC 61508-1 to 3: SIL3

Authenticated under major safety standards including European standards.



- 1/2 Mounting Time
- Global Support
- Fast Installation
- Easy-to-View Diagnostics



- Series Connection
- Global Support
- Simple muting
- Easy-to-View Diagnostics



- Series Connection
- Warning Zone
- Global Support
- Simple muting
- Blanking
- PC Setting Tool
- Finger Protection



**For stand-alone devices**  
**EASY type (F3SJ-E)**

Can be used for simple hand intrusion detection. Mounting now takes less than half the man-hours that conventional models take. Despite its simplicity, the EASY type is a highly reliable safety light curtain.

**A new standard of Safety Light Curtain**  
**BASIC type (F3SJ-B)**

The muting function allows use of the safety light curtain in a variety of manufacturing environments. The flexible mounting supports up to three sets of series-connected sensors.

**For special purposes including finger protection**  
**ADVANCED type (F3SJ-A)**

The detection capability supports finger protection through use of 14mm resolution. The ADVANCED type has a wide variety of muting and blanking functions to increase productivity.

\* As the beams are infrared, they are invisible to the naked eye.



## Implementation cost reduction with 1/2\* the mounting time: Start with the "EASY type"

The EASY type safety light curtain well is suited for straight forward on/off detection applications.

\* Comparison with existing OMRON products.

By carefully selecting the available functions, we have reduced man hours necessary for installation by approximately 1/2 when compared with existing OMRON models.

Reduced installation time means added savings to your project's budget, start with the EASY type.

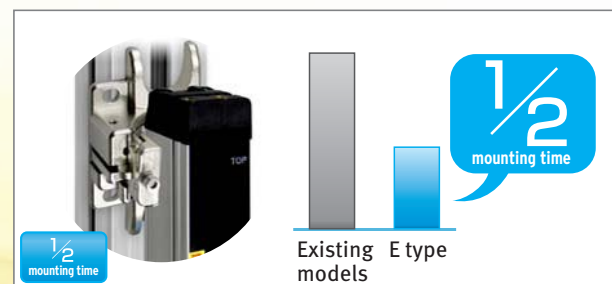


Easy-to-view blue LEDs make beam adjustment easier!



Machine safety first, narrowed down to the simplest functions:

Upon detection of personnel, the machine stops.  
Simple yet very optimal.



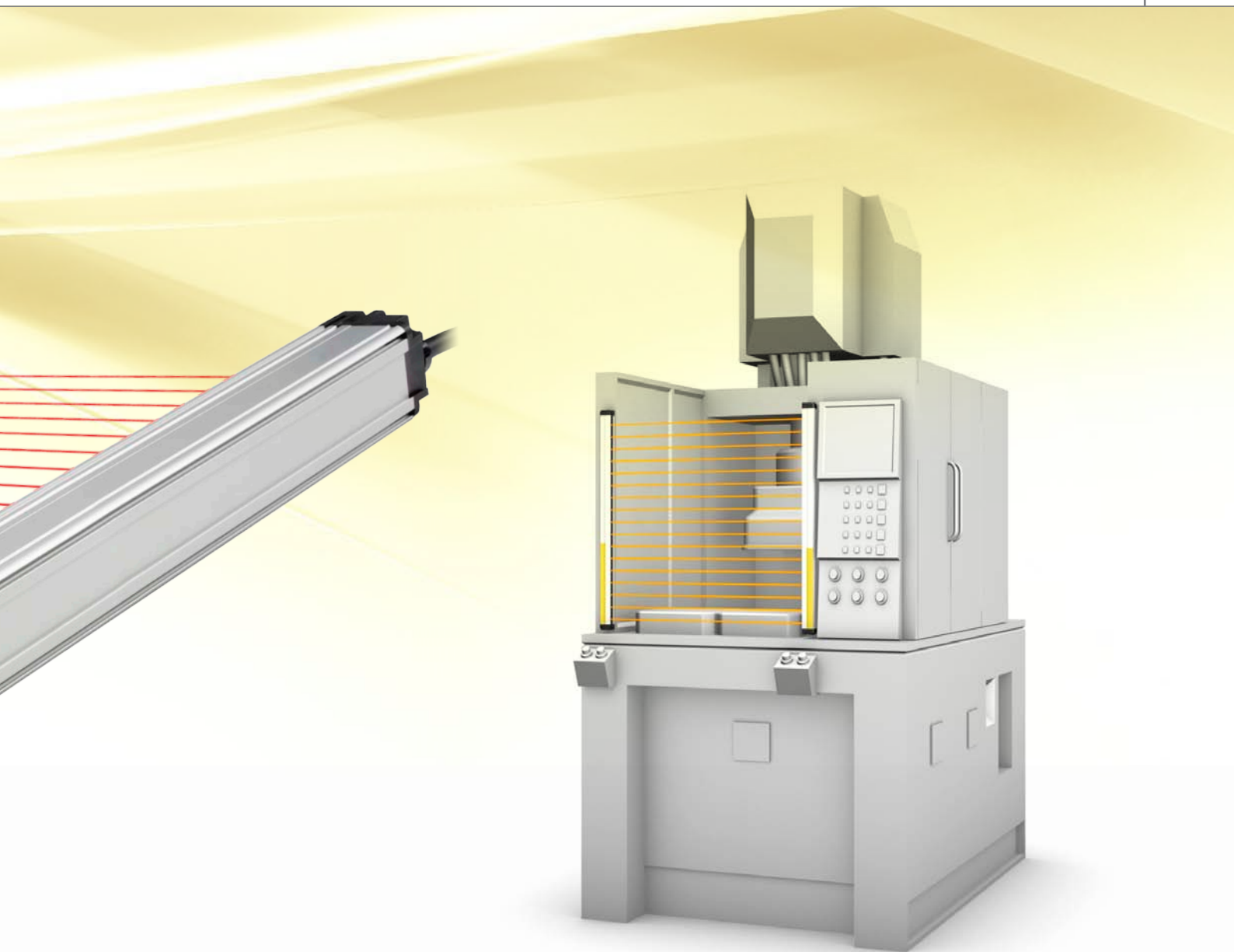
1/2 the mounting time

Fixed response time makes calculation of the safety distance is easier.

Reduced wiring, quick mount brackets and easy-to-view alignment beams all add up to cost savings.

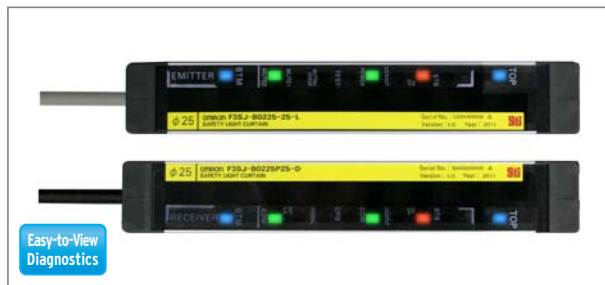
Additionally, with one fixed response time, it is know easier to calculate the safety distance.





**Global Support**

OMRON will support you through the our global network

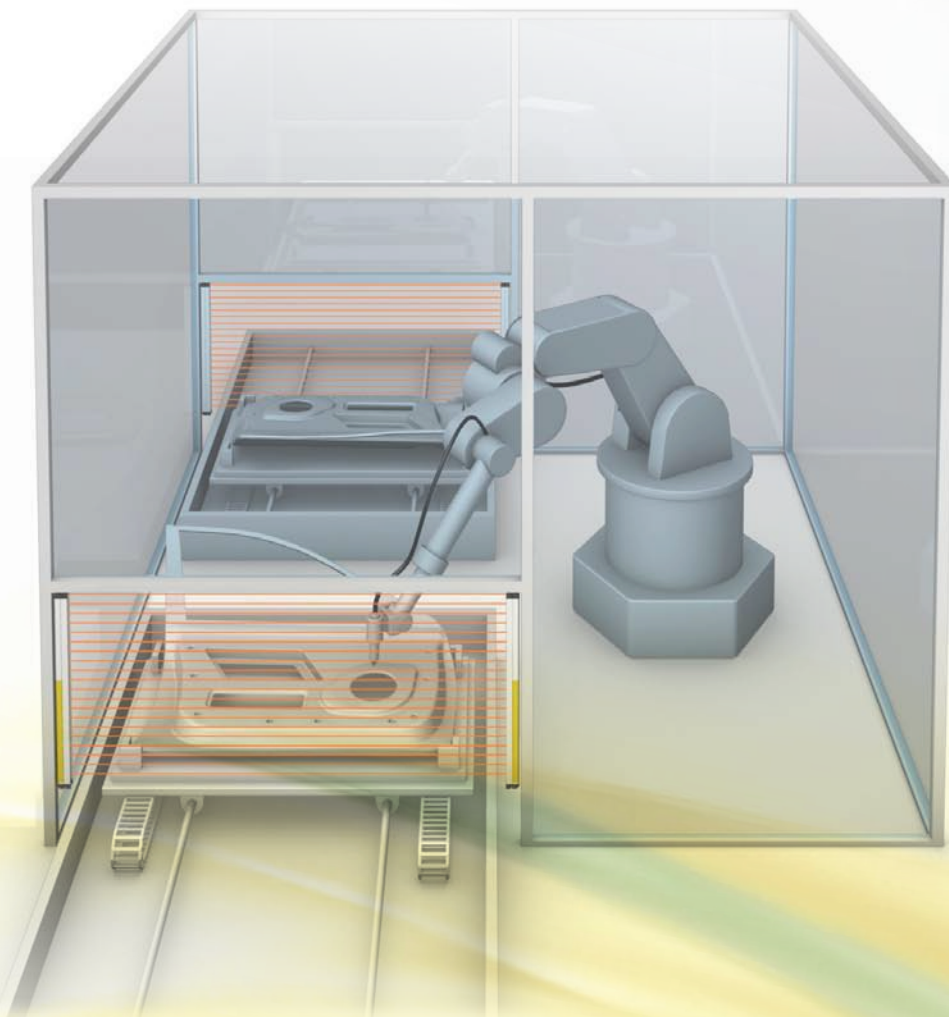


**Easy-to-view Diagnostics**

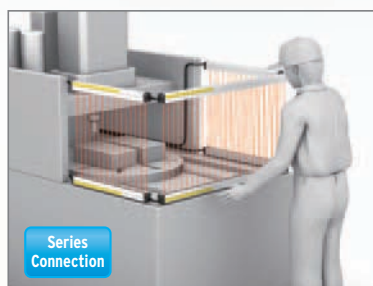
These indicators enable you to intuitively know the status and cause of any error. Allowing you faster installation while reducing machine down time.

## Fits any site, equipped with muting functions and series connection: Use the **"BASIC type"**

In addition to the simple functions inherited from the EASY type, such as global support, easy-to-view indicators, the BASIC type includes series connection and simple muting functions. This enables the BASIC type to satisfy installations that require multiple safety light curtains.

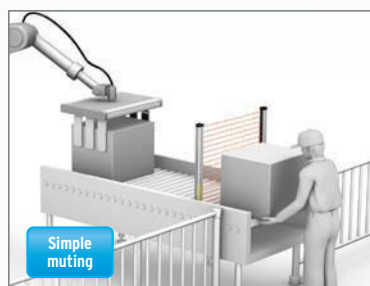






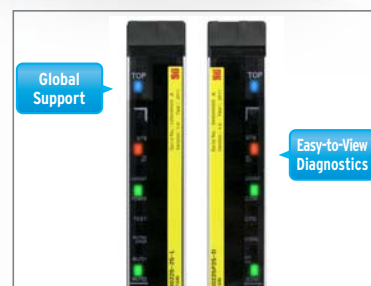
#### Up to three sets-connected in series

It is possible to connect up to three sets of safety light curtains in series. These sensors can be placed in a U-shaped or L-shaped pattern with a single power line, thus requiring less wiring.



#### Instant visibility of process trouble during muting

The BASIC type includes a muting function which temporarily disables the safety light curtain when a workpiece passes through. In the event of any trouble occurring, the error can be instantly recognized from the pattern of the LED indicators, allowing for a fast solution.



#### Functions inherited from the EASY type

Simple functions such as universal power voltage specification, easy-to-view diagnostics, a fixed response time have been inherited from the EASY type. As a result, expect reduced work-hours at each stage of use, from design and installation to operation.

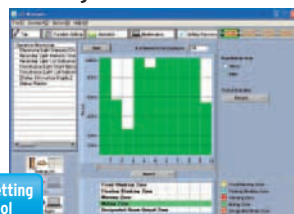


## Multi-functional for special applications such as finger protection: the "ADVANCED" type

The detection capability supports finger protection through use of 9 mm resolution. The ADVANCED type is equipped with various functions such as blanking, muting and the programming of warning zones. All settings can be done via an easy to use software tool. This Tool simplifies installations that were previously complicated, again our way of reducing cost and increasing productivity.



- Beam alignment is easier.



PC Setting Tool

Tool for setting parameters and checking the system status

With the ADVANCED type (F3SJ-A) "SD Manager", all parameters can be set and the system status can be checked with a personal computer. Complex settings are now simple to configure

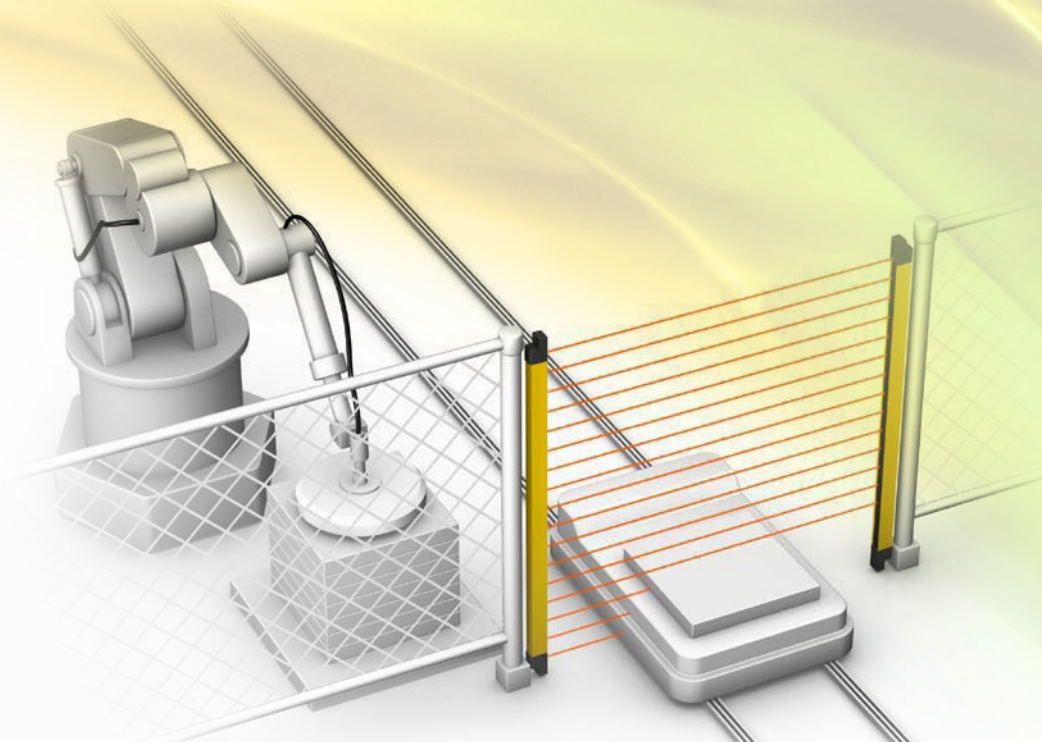
- Detection capability: 9 mm



Finger Protection

Detection capability supports finger-protection

Even if the distance from the hazard is short, we have prepared a lineup that includes safety light curtains with a detection capability of 14 mm.



**Versatile muting function possible**

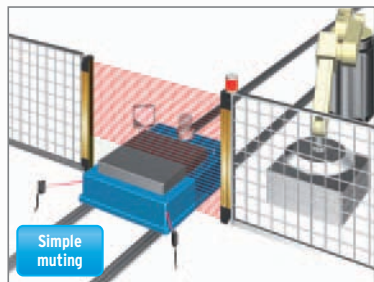
Equipped with partial muting that disables only the beams where a workpiece passes through, and position detection muting that disables the beams while detecting the position of a machine or robot.

**The blanking function disables specific beams of the Safety Light Curtain**

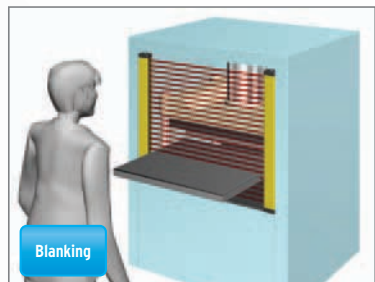
If a part of the mechanical equipment is within the detection zone of the Safety Light Curtain, the relevant beams can be disabled. This is possible not only with non-moving parts but also with moving parts.

**Setting up a warning zone to prevent unnecessary stoppage**

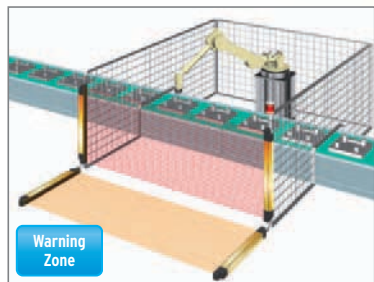
Under normal use, if an intrusion occurs in the safety zone, the machine will stop immediately. However, use of a warning zone will only notify the operator that an intrusion has occurred. This can be used to prevent carelessness resulting in machine stoppage on the part of the operator.



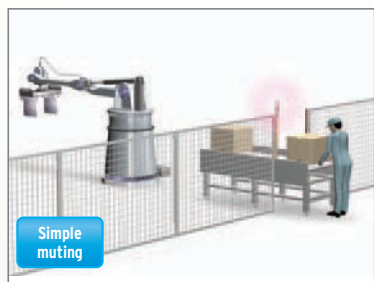
Partial muting



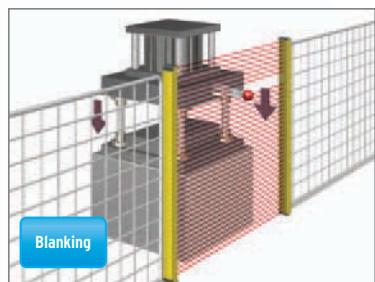
Fixed blanking



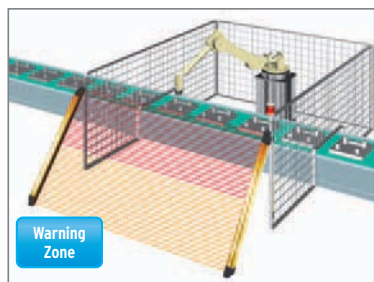
Dividing the zone between series-connected sensors



Position detection muting



Floating blanking



A single sensor zone can also be divided



## In pursuit of fast-easy mountable brackets\*


EASY BASIC

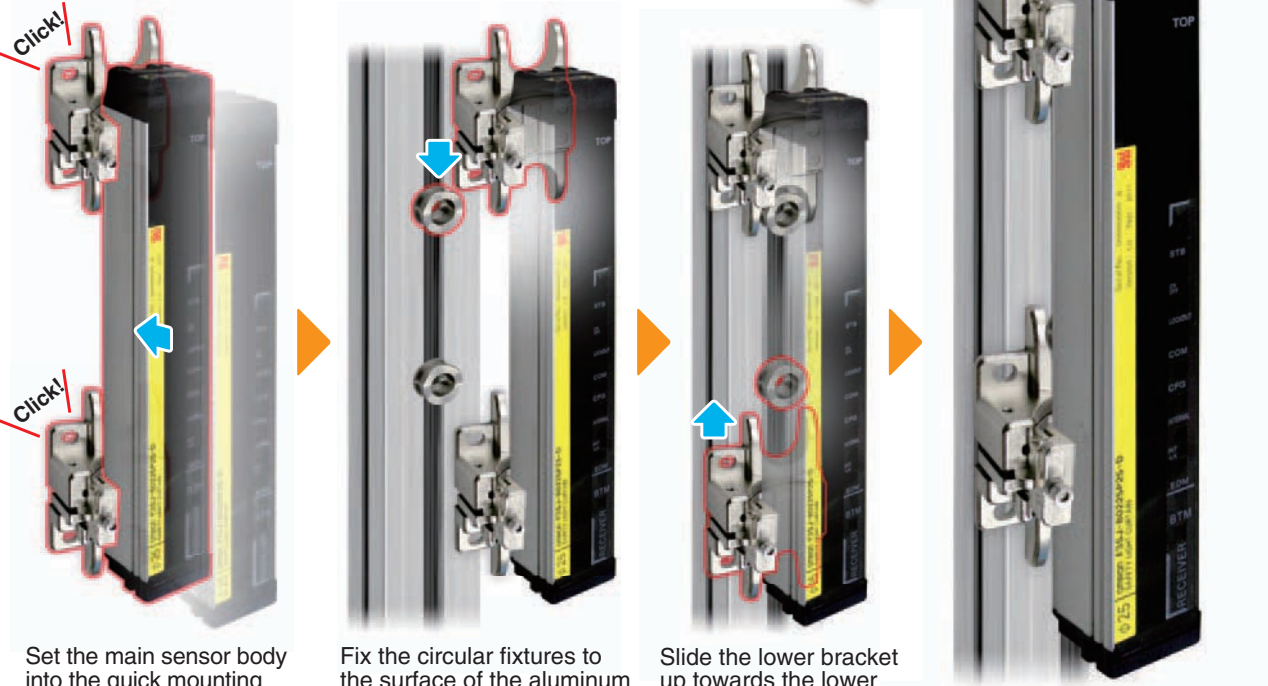
\* Sold separately

Patent Pending

OMRON has developed "quick mount" brackets which speed mounting to aluminum framing and reduce mounting time in half, when compared with existing models. This unique design allows for smooth horizontal movement, beam alignment is easy.

**Configured to freely rotate the main body of the sensor**





**Set the main sensor body into the quick mounting bracket. Use the clamps to tightly clamp the upper body of the sensor while lightly clamping the lower body.**

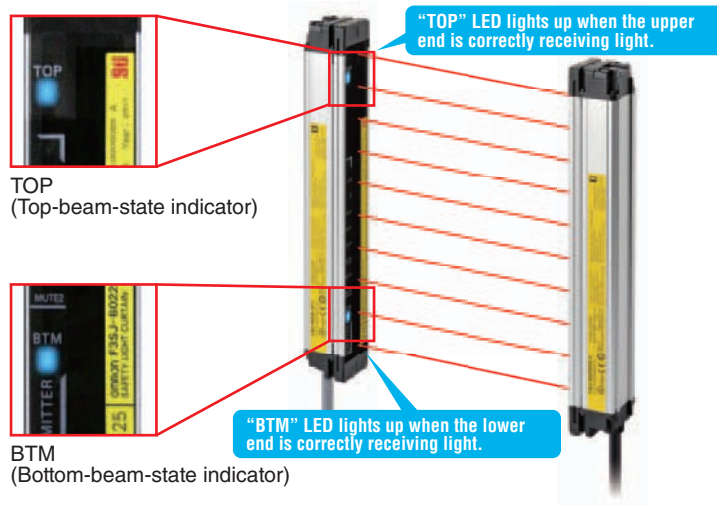
**Fix the circular fixtures to the surface of the aluminum frame and set the upper bracket onto the upper circular fixture.**

**Slide the lower bracket up towards the lower circular fixture and tightly clamp the lower body of the sensor. Once done, mounting is concluded.**

## Top and bottom blue LEDs enabling beam alignment

EASY BASIC

Simple positional alignment can be done using the blue LEDs at the top (TOP) and bottom (BTM) of the emitter and receiver. With the blue LEDs ON, you can see at a glance that the beams' positions are correctly aligned.



**TOP**  
(Top-beam-state indicator)

**BTM**  
(Bottom-beam-state indicator)

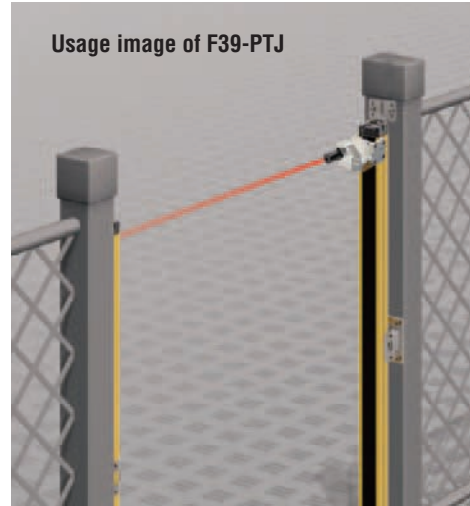
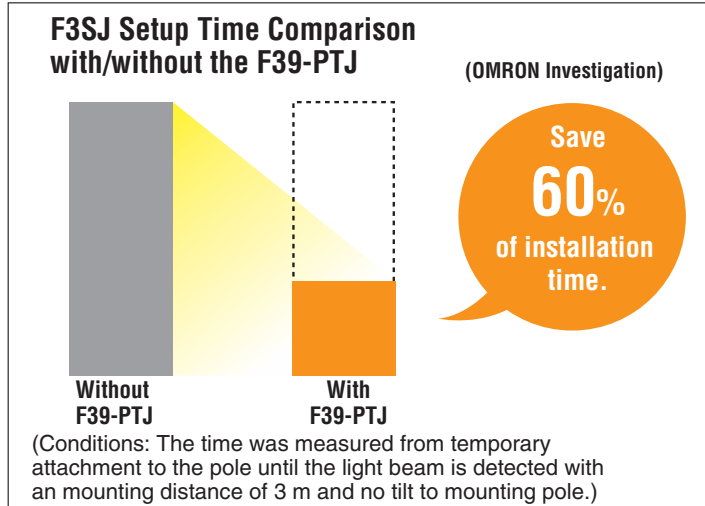


## Laser pointer used to easily align the beams\*

EASY BASIC ADVANCED

Use of the laser pointer allows simple alignment of the beams especially across long distances. This saves approximately 60% of installation time.

\* Sold separately

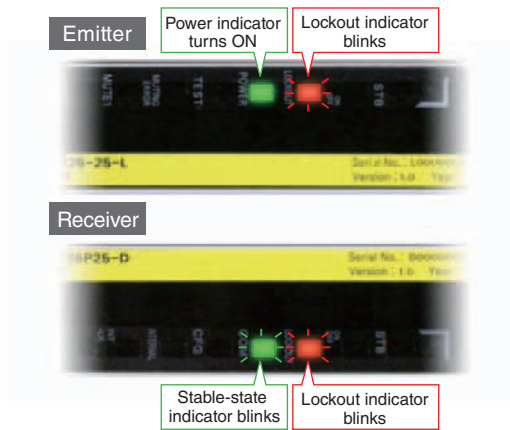


## Easy-to-understand diagnostics

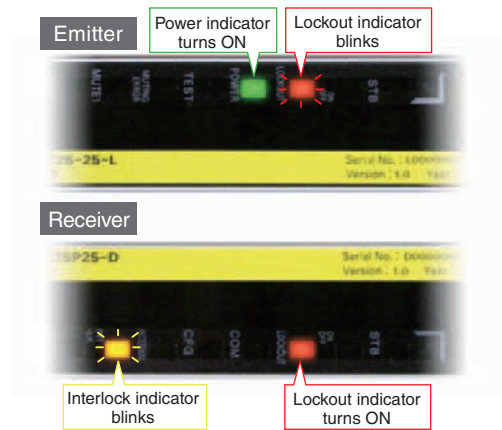
EASY BASIC

Light curtain status can be immediately determined as the LED will light to indicate the status or possible error.

Communication error (EASY/BASIC type)



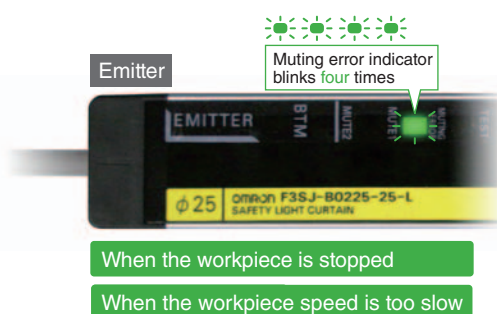
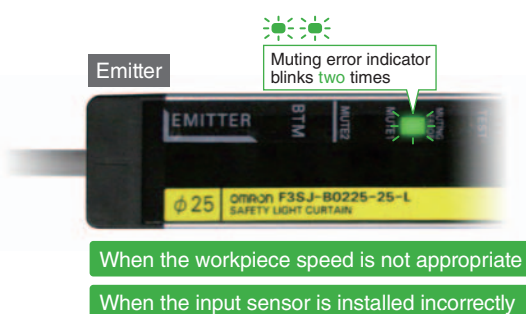
Input error (BASIC type)



## Industry First! Error indication while muting is in progress.

BASIC

The days of searching through user manuals to find the cause of certain muting errors are long gone. Now these errors and their causes can be well understood.

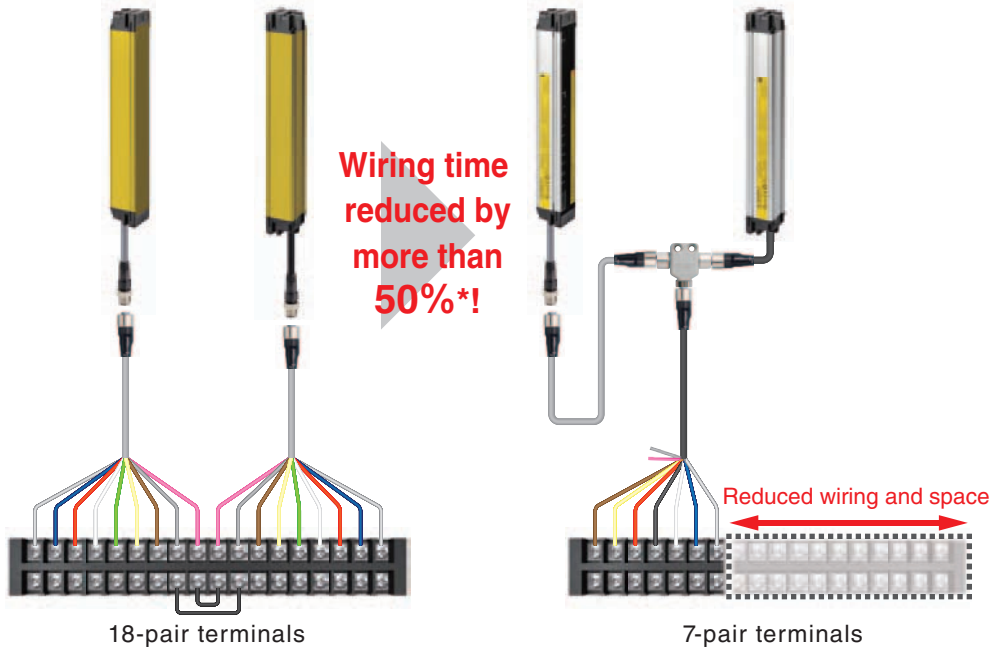


**NEW** "Simple wiring connector" used to reduce wiring work by more than 50%\* BASIC ADVANCED

The connector can be used to easily connect between an emitter and a receiver, reducing the required wiring time by more than 50%.  
Less wiring also reduces the width of the terminal block, saving valuable space in the control panel.

Note: The simple wiring connector can be used for F3SJ-A/B in auto reset mode only, not for F3SJ-E.

\*Comparison with existing OMRON products.



**Tool for setting parameters and checking the system status** ADVANCED

"SD Manager" PC Setting Support Software (For F3SJ-A)

F39-JD□A Single-end Connector Cable or F39-JD□B Double-end Connector Cable

F3SJ-A

Branch Connector

To a USB terminal

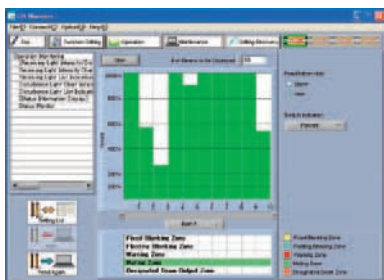
Connection cable

All parameters can be set and the system status can be checked with a personal computer. In addition to making it easy to monitor the beam alignment, the ambient incident light intensity can be displayed in bar graph form for an easy check of the system status.

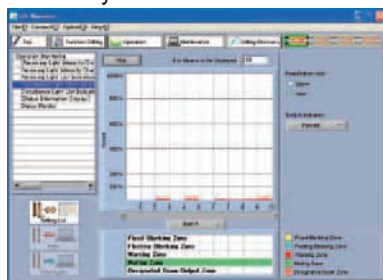
**F39-GWUM "SD Manager" PC Setting Support Software**

The "SD Manager" PC Setting Support Software helps reduce the time required for installing and troubleshooting the Safety Light Curtain.

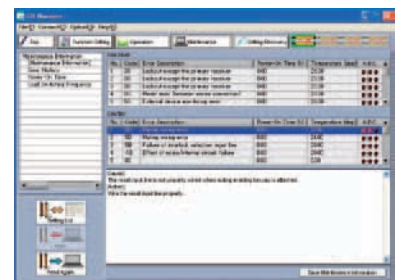
- Beam alignment is easier.
- The ambient incident light intensity can be checked.
- The error log can be displayed.



The incident light level can be displayed in a bar graph for each beam.



The incident light level when the light emission of the Safety Light Curtain is stopped is displayed in a bar graph.



The cause of the errors and countermeasures are both displayed.

Added the ENVIRONMENT RESISTANT type (F3SJ-B□□□□P25-02TS) to the E3SJ series.

## The coolant-resistant structure supports use in a severe work environment

ENVIRONMENT RESISTANT

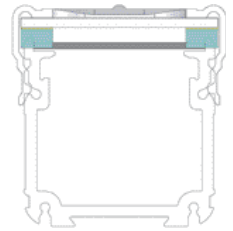
Protects the sensor unit from direct exposure to the coolant.

The aluminum frame and transparent plate protect the sensor unit from direct exposure to the coolant. The cover protects the sensor's detection surface from collision with a workpiece, etc.



Protects the sensor from entry of the coolant that runs around the sensor.

The coolant-resistant H-NBR sponge used inside the cover protects the sensor from entry of the coolant that runs around the sensor.



Note: The sensor may be affected depending on the type of the cutting oil. Check the oil type before use.

## Achieving muting function without a controller

BASIC ADVANCED

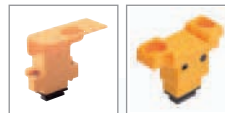
The muting function temporarily disables the light curtain when an object must pass through the detection zone, such as when supplying a workpiece to your equipment. In the past, this function required a dedicated muting controller, but now it is built into the F3SJ. To use the muting function, purchase the Muting Key Cap (for F3SJ-B: F39-CN10 and for F3SJ-A: F39-CN6) (sold separately). The muting function is enabled simply by replacing the Unit's cap with this Key Cap. In addition, a muting sensor that determines the muting timing, as well as a muting lamp that notices the muting status to other operators, should be connected to the F3SJ.

Use example of a muting key cap for F3SJ-A

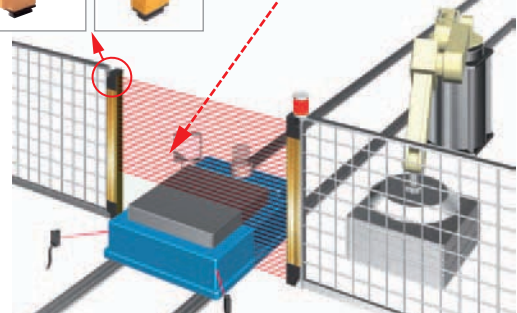
### Built-in muting function

No controller required. Simply attach the Key Cap (sold separately) to the sensor.

Key caps for muting  
 F39-CN6 (for F3SJ-A)      F39-CN10 (for F3SJ-B)



The Safety Light Curtain can be disabled when an AGV carrying a workpiece passes through.



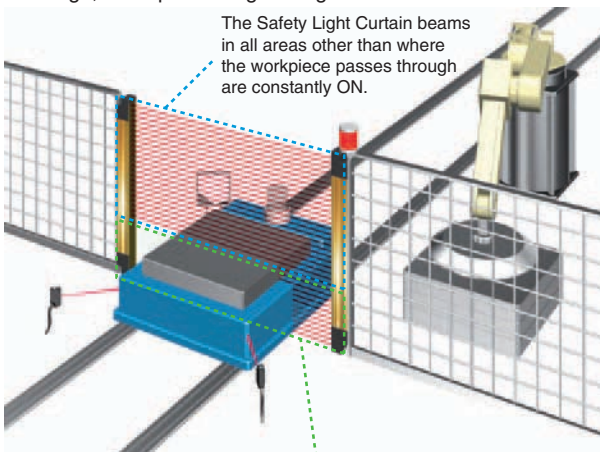
## Equipped with two muting functions

ADVANCED

With F3SJ-A, the muting function temporarily disables the Safety Light Curtain when an object must pass through the detection zone, such as when supplying a workpiece to your equipment. "Partial muting," which further heightens the level of safety, and "position detection muting," which allows muting when the safety status can be determined by the position of a machine (such as a robot), have been newly added to the muting function.

### Partial muting

Partial muting raises safety by muting only the beams of the Safety Light Curtain in the area where the workpiece passes through, while preventing muting in all other areas.

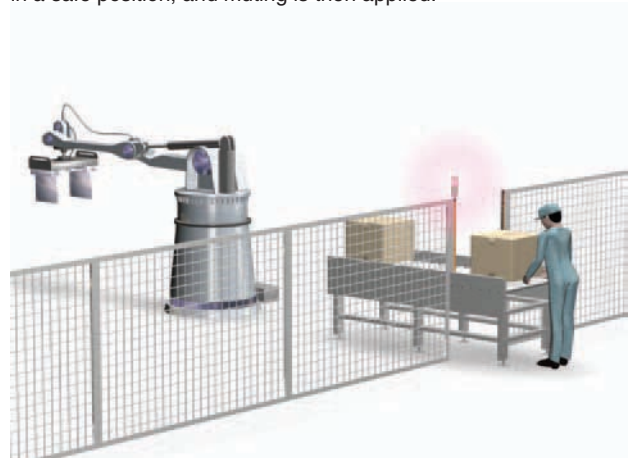


The Safety Light Curtain beams in all areas other than where the workpiece passes through are constantly ON.

Only the beams of the Safety Light Curtain that would be interrupted by the workpiece are muted.




### Position detection muting

This is used in applications where the workpiece is set in position each time by an operator, and then a turntable or positioning robot moves the workpiece to the area where the work is done. A limit switch or other means is used to detect when the robot is in a safe position, and muting is then applied.













| Sensor length (mm)  | Basic Specifications  | Brackets  | Cable   | Accessories (sold separately)   |
|---|---|---|---|---|
|  <p>From 185 (8 beams) to 1,105 (54 beams)</p> | <p><b>Detection capability</b></p> <p>25 mm dia.</p> <p><b>Beam gap</b></p> <p>20 mm</p> <p><b>Operating range</b></p> <p>0.2 to 7 m</p> <p><b>Protective height</b></p> <p>185 to 1,105 mm</p> | <p><b>Sold separately</b></p> <ul style="list-style-type: none"> <li>• Top/bottom bracket</li> <li>• Quick-mount bracket</li> </ul>  <ul style="list-style-type: none"> <li>• Compatible bracket</li> </ul> | <p><b>Pre-wired</b></p>  | <ul style="list-style-type: none"> <li>• Laser pointer</li> <li>• Spatter protection cover</li> <li>• Protective bar</li> </ul> |

**See P16 for details.**

| Sensor length (mm)  | Basic Specifications   | Brackets   | Cable  | Accessories (sold separately)  |
|---|--|--|--|--|
|  <p>From 185 (8 beams) to 2,065 (102 beams)</p> | <p><b>Detection capability</b></p> <p>25 mm dia.</p> <p><b>Beam gap</b></p> <p>20 mm</p> <p><b>Operating range</b></p> <p>0.2 to 7 m</p> <p><b>Protective height*</b></p> <p>185 to 2,065 mm</p> | <p><b>Sold separately</b></p> <ul style="list-style-type: none"> <li>• Top/bottom bracket</li> <li>• Quick-mount bracket</li> </ul>  <ul style="list-style-type: none"> <li>• Compatible bracket</li> </ul> | <p><b>Connector</b></p>  | <ul style="list-style-type: none"> <li>• Control unit (Cannot be used as a muting system in the controller connection)</li> <li>• Laser pointer</li> <li>• Spatter protection cover</li> <li>• Protective bar</li> <li>• extension cables</li> <li>• Simple wiring connector <b>NEW</b></li> </ul> |



**See P26 for details.**

\* The protective height of the ENVIRONMENT RESISTANT type is 225 to 1,985 mm.

| Sensor length (mm)  | Basic Specifications   | Brackets   | Cable   | Accessories (sold separately)  |
|---|--|--|---|--|
|  <p>From 245 (26 beams) to 1,271 (140 beams)</p> | <p><b>Detection capability</b></p> <p>14 mm dia. or more</p> <p><b>Beam gap</b></p> <p>9 mm or more</p> <p><b>Operating range</b></p> <p>0.2 to 9 m</p> <p><b>Protective height</b></p> <p>245 to 1,631 mm</p> | <p><b>Included</b></p> <ul style="list-style-type: none"> <li>• Standard bracket</li> </ul>  <p><b>Sold separately</b></p> <ul style="list-style-type: none"> <li>• Side flat bracket</li> <li>• Free location bracket</li> <li>• Space-saving mounting bracket</li> </ul> | <p><b>Connector</b></p>  | <ul style="list-style-type: none"> <li>• Control unit (Cannot be used as a muting system in the controller connection)</li> <li>• Laser pointer</li> <li>• Dedicated external indicator set</li> <li>• Spatter protection cover</li> <li>• Setting tool</li> <li>• Protective bar</li> <li>• Environment-resistant case</li> <li>• extension cables</li> <li>• Simple wiring connector <b>NEW</b></li> </ul> |

**See P60 for details.**

\* When the minimum object resolution is 14 mm and the beam gap is 9 mm.

|   |   |   |
|---|---|---|
|  |  | <p>For product details, visit the OMRON Industrial Automation website at:</p> <p><a href="http://www.ia.omron.com/">http://www.ia.omron.com/</a></p> <p>To search for F3SR, enter the following:</p> <p><input type="text" value="F3SR"/> <input type="button" value="Search"/></p> |
|---|---|---|

|   |   |   |
|---|---|---|
|  |  | <p>For product details, visit the OMRON Industrial Automation website at:</p> <p><a href="http://www.ia.omron.com/">http://www.ia.omron.com/</a></p> <p>To search for MS4800, enter the following:</p> <p><input type="text" value="MS4800"/> <input type="button" value="Search"/></p> |
|---|---|---|

# Safety Light Curtain

# F3SJ-E

## EASY type reduces implementation costs with 1/2 the mounting time.

- In pursuit of simple functions: Upon detection of personnel, the machine stops.
- Can be used for simple hand intrusion detection.
- Implementation costs can be significantly reduced.

### Related information

Dimensions : Page 54 to 60  
 Function List : Page 97 to 97  
 Safety Precautions : Page 99  
 Precautions on Safety : Page 100 to 104

## Ordering Information

### Main Units

#### Safety Light Curtain

| Application     | Detection capability | Beam gap | Operating range | Protective height (mm) | Model               |               |
|-----------------|----------------------|----------|-----------------|------------------------|---------------------|---------------|
|                 |                      |          |                 |                        | PNP output          | NPN output    |
| Hand protection | Dia. 25 mm           | 20 mm    | 0.2 to 7 m      | 185 to 1,105           | F3SJ-E□□□□P25<br>*1 | F3SJ-E□□□□N25 |

Note: F3SJ-E uses a 3 m prewired discrete cable.

\*1. For S-mark compatible model, the suffix "-S" is added to the model name.  
 (Example) F3SJ-E0185P25-S

#### Safety Light Curtain Model List

Please contact our sales representative.

#### F3SJ-E Series (20 mm pitch)

| Model         |               | Number of beams | Protective height [mm] *2 |
|---------------|---------------|-----------------|---------------------------|
| PNP output *1 | NPN output    |                 |                           |
| F3SJ-E0185P25 | F3SJ-E0185N25 | 8               | 185                       |
| F3SJ-E0225P25 | F3SJ-E0225N25 | 10              | 225                       |
| F3SJ-E0305P25 | F3SJ-E0305N25 | 14              | 305                       |
| F3SJ-E0385P25 | F3SJ-E0385N25 | 18              | 385                       |
| F3SJ-E0465P25 | F3SJ-E0465N25 | 22              | 465                       |
| F3SJ-E0545P25 | F3SJ-E0545N25 | 26              | 545                       |
| F3SJ-E0625P25 | F3SJ-E0625N25 | 30              | 625                       |
| F3SJ-E0705P25 | F3SJ-E0705N25 | 34              | 705                       |
| F3SJ-E0785P25 | F3SJ-E0785N25 | 38              | 785                       |
| F3SJ-E0865P25 | F3SJ-E0865N25 | 42              | 865                       |
| F3SJ-E0945P25 | F3SJ-E0945N25 | 46              | 945                       |
| F3SJ-E1025P25 | F3SJ-E1025N25 | 50              | 1,025                     |
| F3SJ-E1105P25 | F3SJ-E1105N25 | 54              | 1,105                     |



\*1. For S-mark compatible model, the suffix "-S" is added to the model name.  
 (Example) F3SJ-E0185P25-S

\*2. Protective height (mm) = Total sensor length




## Accessories (Sold separately)

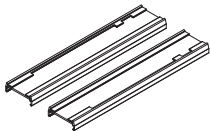
### Relays with Forcibly Guided Contacts

| Type   | Appearance  | Specifications  | Model             | Remarks   |
|--|---|---|-------------------|---|
| G7SA Relays with Forcibly Guided Contacts    |  | <ul style="list-style-type: none"> <li>Nodes: 4</li> <li>Contact type: 2A2B</li> <li>Rated switch load: 250 VAC 6A, 30 VDC 6A</li> </ul>        | <b>G7SA-2A2B</b>  | For details on other models or socket models, refer to the OMRON's website. |
|  |   | <ul style="list-style-type: none"> <li>Nodes: 4</li> <li>Contact type: 3NO+1NC</li> <li>Rated switch load: 250 VAC 6A, 30 VDC 6A</li> </ul>     | <b>G7SA-3A1B</b>  |   |
| G7S-□-E Relays with Forcibly Guided Contacts |  | <ul style="list-style-type: none"> <li>Nodes: 6</li> <li>Contact type: 4NO+2NC</li> <li>Rated switch load: 250 VAC 10 A, 30 VDC 10 A</li> </ul> | <b>G7S-4A2B-E</b> | For details on other models or socket models, refer to the OMRON's website. |
|  |   | <ul style="list-style-type: none"> <li>Nodes: 6</li> <li>Contact type: 3NO+3NC</li> <li>Rated switch load: 250 VAC 10 A, 30 VDC 10 A</li> </ul> | <b>G7S-3A3B-E</b> |   |

### Laser Pointer


| Appearance  | Output                 | Model          |
|---|------------------------|----------------|
|  | Laser Pointer for F3SJ | <b>F39-PTJ</b> |

### Spatter Protection Cover (2 cables per set, common for emitter/receiver) (10% Operating Range Attenuation)

| Appearance  | Model               |
|---|---------------------|
|  | <b>F39-HB□□□□ *</b> |

\*The same 4-digit numbers as the protective heights (□□□□ in the light curtain model names) are substituted by in the model names.

### Protective Bar

| Appearance  | Model                     | Remarks   |
|---|---------------------------|---|
|  | <b>F39-PB□□□□ *1</b>      | <ul style="list-style-type: none"> <li>2 Light Curtain brackets</li> <li>4 mounting brackets</li> <li>0 to 4 intermediate brackets for backside mounting (quantity required for the sensing width)</li> <li>0 to 4 intermediate brackets for mounting to the sides (quantity required for the sensing width)</li> </ul> |
|   | <b>F39-PB□□□□-S *1 *2</b> | <ul style="list-style-type: none"> <li>1 Light Curtain bracket</li> <li>2 mounting brackets</li> <li>0 to 2 intermediate brackets for backside mounting (quantity required for the sensing width)</li> <li>0 to 2 intermediate brackets for mounting to the sides (quantity required for the sensing width)</li> </ul>  |

**Note:** The following are not provided with the Protective Bars.

- Safety Light Curtain
- Safety Light Curtain Top/Bottom Brackets
- Wall Mounting Screw Unit


\*1. The same four digits indicating protective height that are used in the Sensor model number (□□□□) are used in the part of the Protector model number.

\*2. Purchase the F39-PB□□□□ (which contains two sets of brackets) to use Protective Bars for both the Emitter and Receiver.







### Test rod (Sold separately)

| Diameter  | Model            |
|-----------|------------------|
| 14mm dia. | <b>F39-TRD14</b> |
| 20mm dia. | <b>F39-TRD20</b> |
| 25mm dia. | <b>F39-TRD25</b> |
| 30mm dia. | <b>F39-TRD30</b> |

## Mirrors (12% Operating Range Attenuation)

| Appearance  | Mirror material | Width (mm) | Thickness (mm) | Length (mm) | Model       | Remarks  |
|---|-----------------|------------|----------------|-------------|-------------|--|
|  | Glass mirror    | 145        | 32             | 406         | F39-MLG0406 | 2 sets of Cylindrical mounting rod, 4 screws are included. |
|   |                 |            |                | 610         | F39-MLG0610 |  |
|   |                 |            |                | 711         | F39-MLG0711 |  |
|   |                 |            |                | 914         | F39-MLG0914 |  |
|   |                 |            |                | 1,067       | F39-MLG1067 |  |
|   |                 |            |                | 1,219       | F39-MLG1219 |  |
|   |                 |            |                | 1,422       | F39-MLG1422 |  |
|   |                 |            |                | 1,626       | F39-MLG1626 |  |
|   |                 |            |                | 1,830       | F39-MLG1830 |  |
| 2,134   | F39-MLG2134     |            |                |             |             |  |

## Sensor Mounting Bracket (Sold separately)

| Appearance  | Specifications                                   | Model           | Application  | Remarks  |
|---|--|-----------------|--|--|
|    | Top/bottom bracket                               | F39-LJB1        | Top/bottom bracket for F3SJ-E/B  | 2 for an emitter, 2 for a receiver, total of 4 per set |
|   | Intermediate bracket                             | F39-LJB2 *1 *2  | In combination use with top/bottom bracket for F3SJ-E/B<br>Can be used as free-location bracket. | 1 set with 2 pieces                                    |
|  | Quick mount bracket                              | F39-LJB3-M6 *1  | Quick mount bracket for F3SJ-E/B<br>Supports M6 slide nut for aluminum frame.                    | 1 set with 2 pieces                                    |
|   |  | F39-LJB3-M8 *2  | Quick mount bracket for F3SJ-E/B<br>Supports M8 slide nut for aluminum frame.                    |  |
|  | Quick mount M6 bracket<br>Quick mount M8 bracket | F39-LJB3-M6K *1 | Bracket to mount an intermediate bracket to the aluminum frame with a single touch.              | Hexagon socket head cap screws (M6 x 10) are included. |
|   |  | F39-LJB3-M8K *2 |  | Hexagon socket head cap screws (M8 x 14) are included. |
|  | Compatible mounting bracket                      | F39-LJB4        | Mounting bracket used when replacing existing area sensors (F3SJ-A or F3SN) with the F3SJ-E/B.   | 2 for an emitter, 2 for a receiver, total of 4 per set |
|  | Contact mount bracket                            | F39-LJB5        | Bracket to closely contact the back side of the Sensor.  | 2 for an emitter, 2 for a receiver, total of 4 per set |

**Note:** All the sensor mounting brackets for F3SJ-E are sold separately.

\*1. Combining F39-LJB2 and F39-LJB3-M6K makes F39-LJB3-M6.

\*2. Combining F39-LJB2 and F39-LJB3-M8K makes F39-LJB3-M8.

## Specifications (For details, refer to the instruction manual or User's manual.)

### Main Units

F3SJ-E□□□□P25/N25

| Model  | PNP output   | F3SJ-E□□□□P25   |
|--|--|---|
|  | NPN output   | F3SJ-E□□□□N25   |
| <b>Sensor type</b>   | Type 4 safety light curtain  |   |
| <b>Setting tool connection *1</b>                            | Parameter settings: Not available  |   |
| <b>Safety category</b>                                       | Safety purpose of category 4, 3, 2, 1, or B  |   |
| <b>Detection capability</b>                                  | Opaque objects 25 mm in diameter   |   |
| <b>Beam gap (P)</b>  | 20 mm  |   |
| <b>Number of beams (n)</b>                                   | 8 to 54  |   |
| <b>Protective height (PH)</b>                                | 185 to 1,105 mm  |   |
| <b>Lens diameter</b>   | Diameter 5 mm  |   |
| <b>Operating range *2</b>                                    | 0.2 to 7 m   |   |
| <b>Response time (under stable light incident condition)</b> | ON to OFF  | 15 ms max.  |
|  | OFF to ON  | 70 ms max.  |
| <b>Startup waiting time</b>                                  | 2 s max.   |   |
| <b>Power supply voltage (Vs)</b>                             | SELV/PELV 24 VDC±20% (ripple p-p 10% max.)   |   |
| <b>Consumption current (no load)</b>                         | PNP output   | Emitter : Up to 22 beams: 41 mA max., 26 to 42 beams: 57 mA max., 46 to 54 beams: 63 mA max.<br>Receiver : Up to 22 beams: 42 mA max., 26 to 42 beams: 47 mA max., 46 to 54 beams: 51 mA max.                             |
|  | NPN output   | Emitter : Up to 22 beams: 41 mA max., 26 to 42 beams: 57 mA max., 46 to 54 beams: 63 mA max.<br>Receiver : Up to 22 beams: 40 mA max., 26 to 42 beams: 45 mA max., 46 to 54 beams: 48 mA max.                             |
| <b>Light source (emitted wavelength)</b>                     | Infrared LED (870 nm)  |   |
| <b>Effective aperture angle (EAA)</b>                        | Based on IEC 61496-2. Within ±2.5° for both emitter and receiver when the detection distance is 3 m or over  |   |
| <b>Safety outputs (OSSD)</b>                                 | PNP output   | Two PNP transistor outputs, load current 200 mA max., residual voltage 2 V max. (except for voltage drop due to cable extension), Leakage current 1 mA max., load inductance 2.2 H max. *3, Maximum capacity load 1 μF *4 |
|  | NPN output   | Two NPN transistor outputs, load current 200 mA max., residual voltage 2 V max. (except for voltage drop due to cable extension), Leakage current 1 mA max., load inductance 2.2 H max. *3, Maximum capacity load 1 μF *4 |
| <b>Output operation mode</b>                                 | Safety output: On when receiving light   |   |
| <b>Input voltage</b>   | PNP output   | ON voltage: Vs-3 V to Vs OFF voltage: 0 V to 1/2 Vs or open *5  |
|  | NPN output   | ON voltage: 0 V to 3 V OFF voltage: 1/2 Vs to Vs or open *5   |
| <b>Mutual interference prevention function</b>               | Mutual interference prevention algorithm prevents interference in up to 3 sets.  |   |
| <b>Test function</b>   | <ul style="list-style-type: none"> <li>Self test (at power-ON and at power distribution)</li> <li>External test (emission stop function by test input)</li> </ul>  |   |
| <b>Protection circuit</b>                                    | Output short-circuit protection, and power supply reverse polarity protection  |   |
| <b>Ambient temperature</b>                                   | Operating: -10 to 55°C (non-freezing), Storage: -25 to 70°C  |   |
| <b>Ambient humidity</b>                                      | Operating: 35% to 85% (no condensation), Storage: 35% to 95% RH  |   |
| <b>Operating ambient light intensity</b>                     | Incandescent lamp: 3,000 lx max., Sunlight: 10,000 lx max.   |   |
| <b>Insulation resistance</b>                                 | 20 MΩ min. (at 500 VDC)  |   |
| <b>Dielectric strength</b>                                   | 1,000 VAC 50/60 Hz, 1 min  |   |
| <b>Degree of protection</b>                                  | IP65 (IEC 60529)   |   |
| <b>Vibration resistance</b>                                  | Malfunction: 10 to 55 Hz, Multiple amplitude of 0.7 mm, 20 sweeps in X, Y, and Z directions  |   |
| <b>Shock resistance</b>                                      | Malfunction: 100 m/s <sup>2</sup> , 1,000 times each in X, Y, and Z directions   |   |
| <b>Pollution degree</b>                                      | Pollution degree 3 (IEC 60664-1)   |   |
| <b>Power cable</b>   | Connection method: Pull-out type, cable length 3 m<br>Number of wires: Emitter: 5 wires, receiver: 6 wires<br>Cable diameter: Dia. 6 mm<br>Allowable bending radius: R5 mm   |   |
| <b>Extension cable</b>                                       | 30 m max. *6   |   |
| <b>Material</b>  | Case: Aluminum<br>Cap: ABS resin, PBT<br>Optical cover: PMMA resin (acrylic)<br>Cable: Oil resistant PVC   |   |
| <b>Weight (packed state)</b>                                 | Weight (g) = (protective height) x 2.6 + 800   |   |
| <b>Accessories</b>   | Instruction Manual, User's Manual (CD-ROM) *7  |   |
| <b>Applicable standards</b>                                  | IEC 61496-1, EN 61496-1, UL 61496-1, Type 4 ESPE (Electro-Sensitive Protective Equipment)<br>IEC 61496-2, CLC/TS 61496-2, UL 61496-2, Type 4 AOPD (Active Opto-electronic Protective Devices)<br>IEC 61508-1 to -3, EN 61508-1 to -3 SIL3<br>ISO 13849-1: 2006, EN ISO 13849-1: 2008 (PLe/Safety Category 4)<br>UL 508, UL 1998, CAN/CSA C22.2 No.14, CAN/CSA C22.2 No.0.8 |   |

\*1. Do not use the Support Software and Setting Console for F3SJ-A. Operation cannot be guaranteed.

\*2. Use of the Spatter Protection Cover causes a 10% maximum sensing distance attenuation.

\*3. The load inductance is the maximum value when the safety output frequently repeats ON and OFF. When you use the safety output at 4 Hz or less, the usable load inductance becomes larger.

\*4. These values must be taken into consideration when connecting elements including a capacitive load such as capacitor.

\*5. The Vs indicates a voltage value in your environment.

\*6. To extend a cable of the F3SJ-E, refer to the User's Manual (SCHG-733/732).

\*7. Mounting brackets and test rod are sold separately.

## Indicator

### Emitter

| Name of indicator           | Label     | ON   | Blinking   |
|-----------------------------|-----------|--|--|
| Top-beam-state indicator    | TOP       | Turns ON when the top beam is receiving light.   | ---  |
| Stable-state indicator      | STB       | Turns ON when incidence level is more than 170% of the output ON threshold.            | Blinks when the safety output is turned OFF due to disturbance light or vibration. |
| ON/OFF-state indicator      | ON<br>OFF | Green: Turns ON when safety output is ON.<br>Red: Turns OFF when safety output is OFF. | Red: Blinks when the F3SJ-E enters a lockout due to a safety output error.         |
| Lockout indicator           | LOCKOUT   | Turns ON when the F3SJ-E enters a lockout on the receiver.                             | Blinks when the F3SJ-E enters a lockout on the emitter.                            |
| Power indicator             | POWER     | Turns ON while the power of the emitter is ON.   | Blinks when the F3SJ-E enters a lockout due to power voltage/noise.                |
| Test indicator              | TEST      | ---  | Blinks when external test is being performed.                                      |
| Bottom-beam-state indicator | BTM       | Turns ON when the bottom beam is receiving light.                                      | ---  |

### Receiver

| Name of indicator           | Label     | ON   | Blinking   |
|-----------------------------|-----------|--|--|
| Top-beam-state indicator    | TOP       | Turns ON when the top beam is receiving light.   | ---  |
| Stable-state indicator      | STB       | Turns ON when incidence level is more than 170% of the output ON threshold.            | Blinks when the safety output is turned OFF due to disturbance light or vibration.               |
| ON/OFF-state indicator      | ON<br>OFF | Green: Turns ON when safety output is ON.<br>Red: Turns OFF when safety output is OFF. | Red: Blinks when the F3SJ-E enters a lockout due to a safety output error.                       |
| Lockout indicator           | LOCKOUT   | Turns ON when the F3SJ-E enters a lockout on the emitter.                              | Blinks when the F3SJ-E enters a lockout on the receiver.   |
| Communication indicator     | COM       | Turns ON when communication between emitter and receiver is established.               | Blinks when the F3SJ-E enters lockout due to a communication error between receiver and emitter. |
| Configuration indicator     | CFG       | ---  | Blinks when the F3SJ-E enters lockout due to a model type error between receiver and emitter.    |
| Internal error indicator    | INTERNAL  | ---  | Blinks when the F3SJ-E enters a lockout due to an internal error.                                |
| Bottom-beam-state indicator | BTM       | Turns ON when the bottom beam is receiving light.                                      | ---  |

## Accessories

### Laser Pointer

| Item                          | Model   | F39-PTJ |
|-------------------------------|---|---------|
| Applicable sensor             | F3SJ Series   |         |
| Power supply voltage          | 4.65 or 4.5 VDC   |         |
| Battery                       | Three button batteries (SR44 or LR44)   |         |
| Battery life *                | SR44: 10 hours of continuous operation, LR44: 6 hours of continuous operation                     |         |
| Light source                  | Red semiconductor laser (wavelength: 650 nm, 1 mW max. JIS class 2, EN/IEC class 2, FDA class II) |         |
| Spot diameter (typical value) | 6.5 mm at 10 m  |         |
| Ambient temperature           | Operating: 0 to 40°C Storage: -15 to 60°C (with no icing or condensation)                         |         |
| Ambient humidity              | Operating and storage: 35% to 85% (with no condensation)  |         |
| Material                      | Laser module case: aluminum Mounting bracket: aluminum and stainless                              |         |
| Weight                        | Approx. 220 g (packed)  |         |
| Accessories                   | Laser safety standard labels (EN: 1, FDA: 3) Button batteries (SR44: 3), instruction manual       |         |

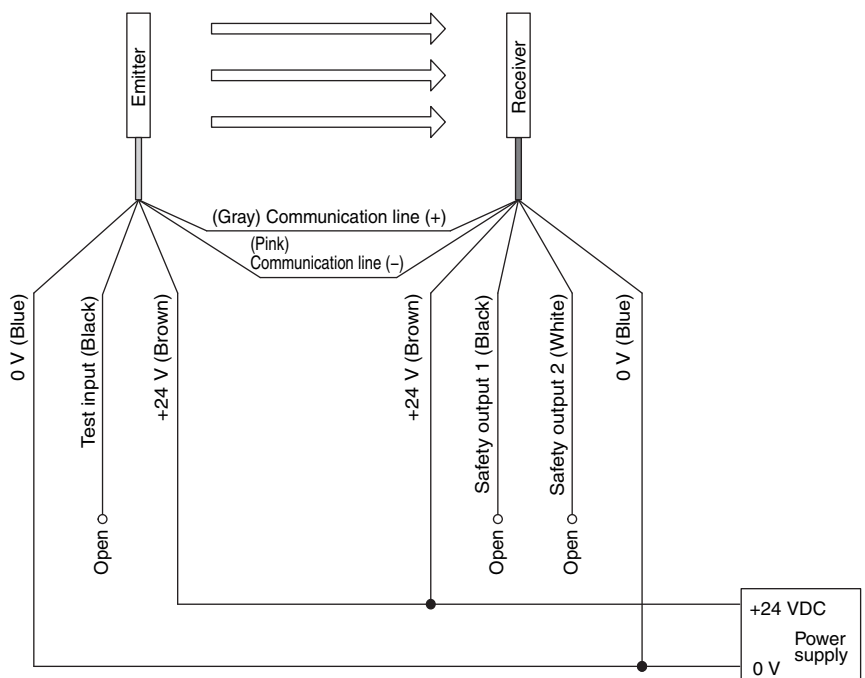
\* Battery life varies depending on a battery used.



## Connections

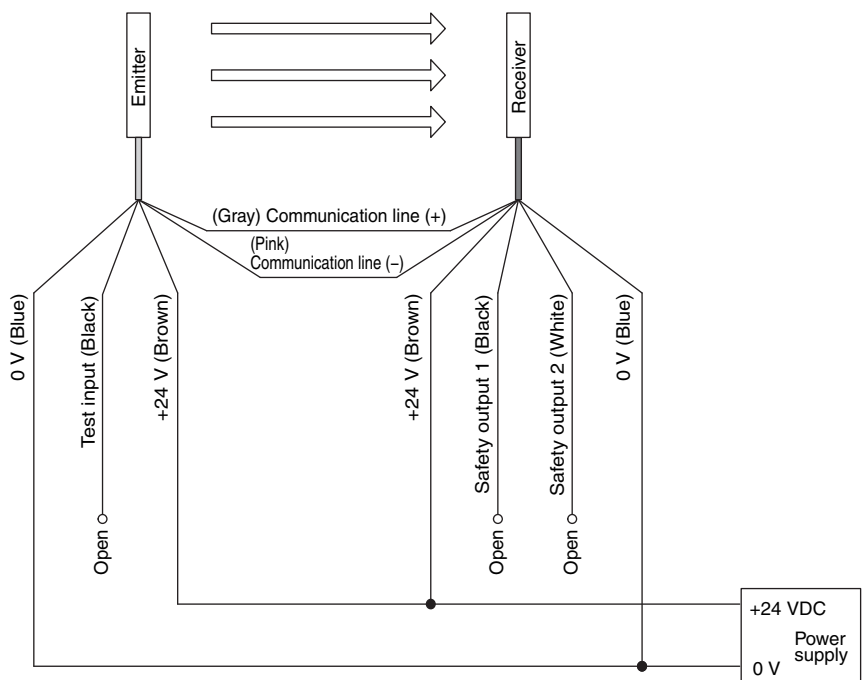
### Basic Wiring Diagram

Minimum wiring required to check the operation of the F3SJ-E [PNP Output]



**Note:** This circuit diagram is used for operation check. For an actual circuit example, refer to page 23.

Minimum wiring required to check the operation of the F3SJ-E [NPN Output]

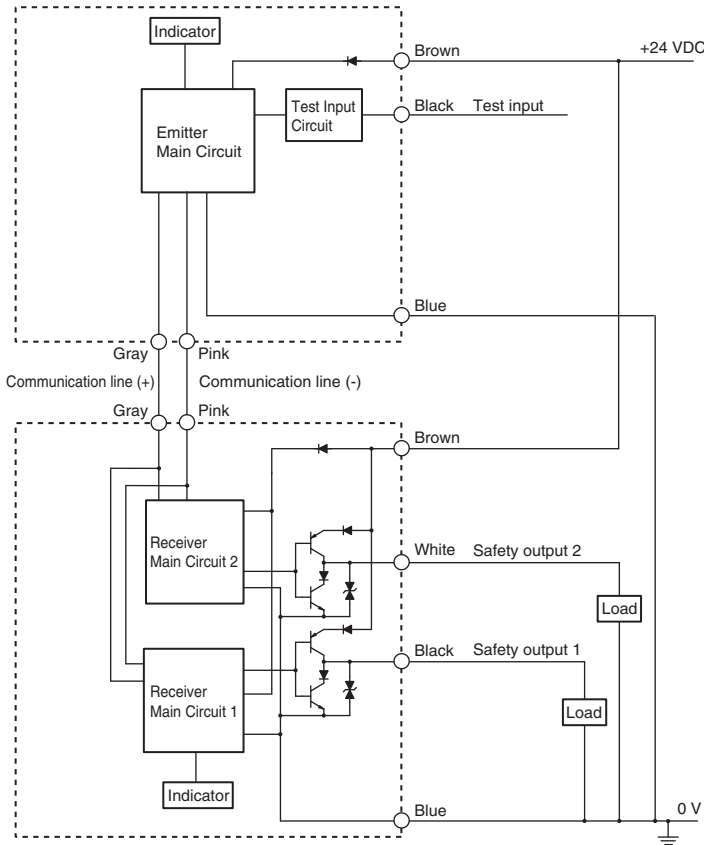


**Note:** This circuit diagram is used for operation check. For an actual circuit example, refer to page 23.

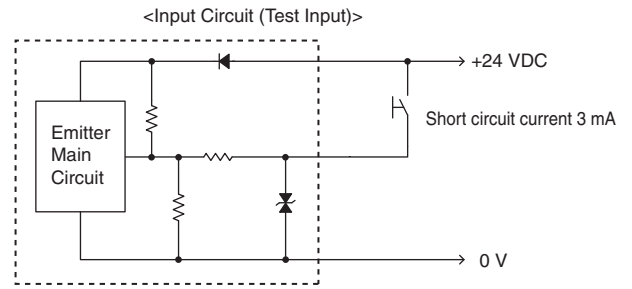
# Input/Output Circuit Diagram

[PNP Output]

Entire Circuit Diagram

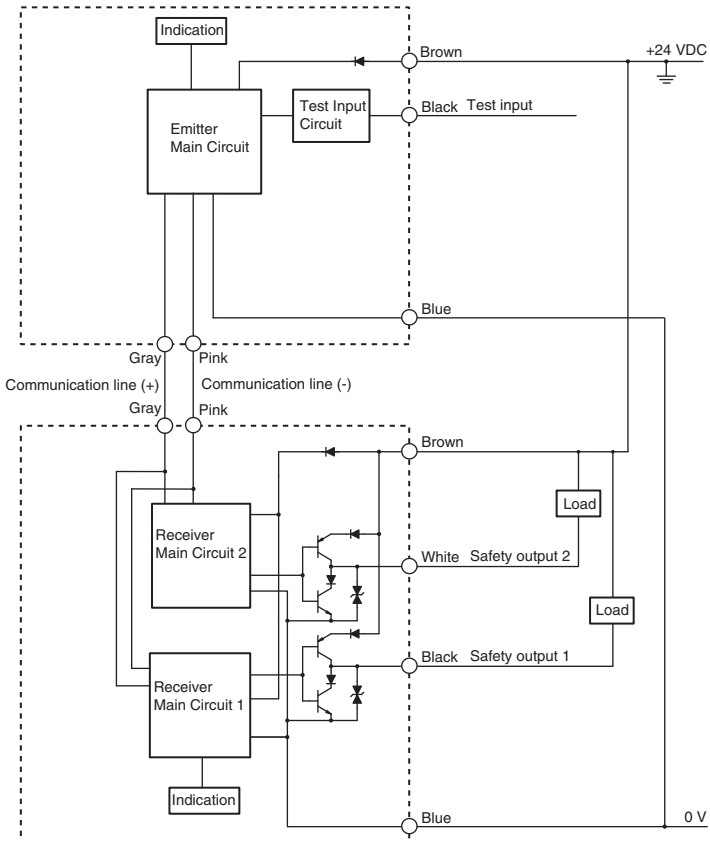


Input circuit diagram by function

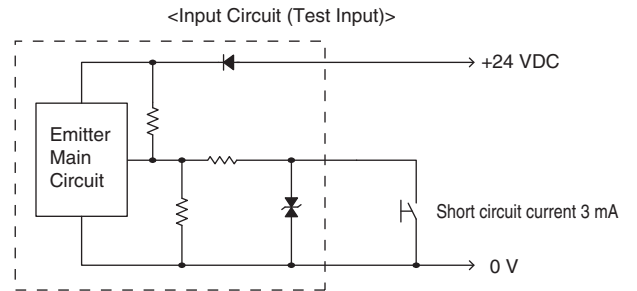


[NPN Output]

Entire Circuit Diagram



Input circuit diagram by function



# Connection Circuit Examples

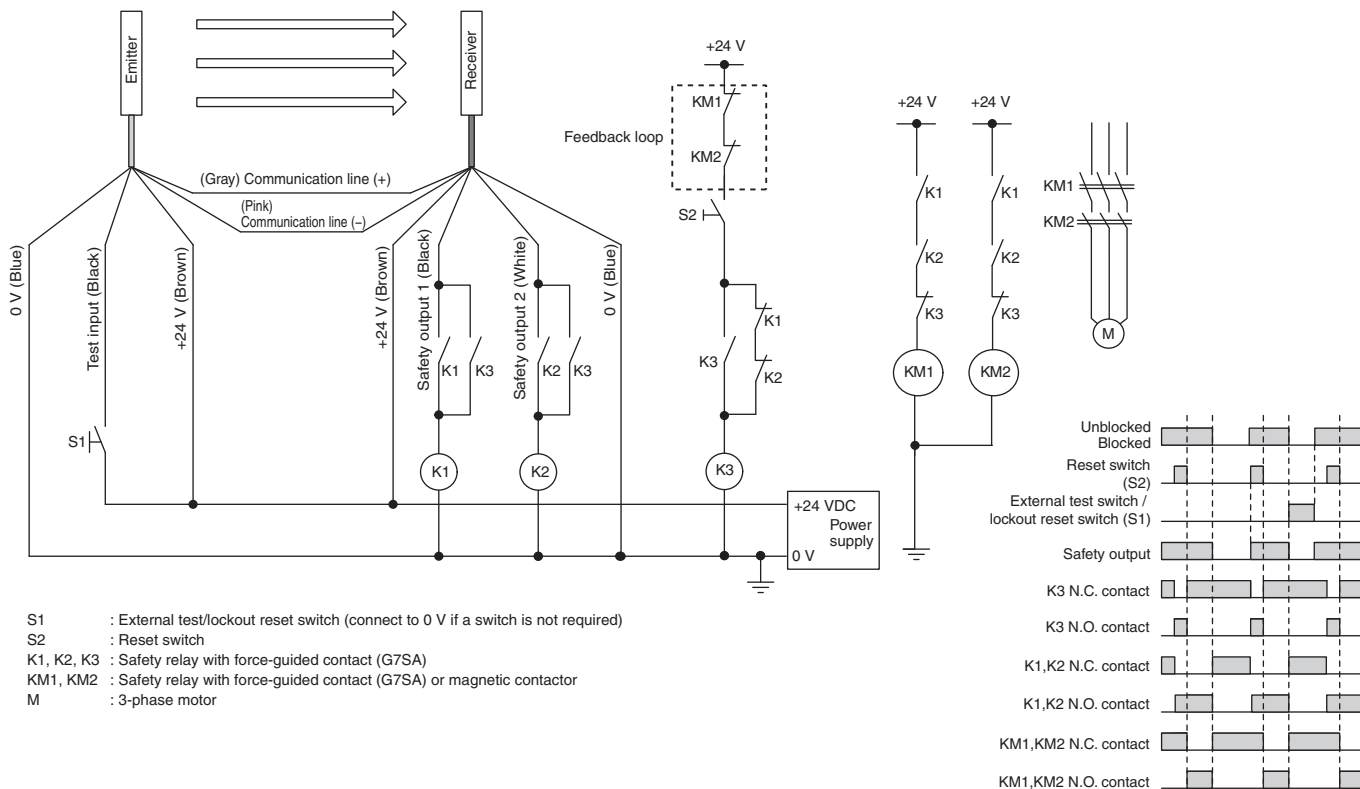
## Wiring for single F3SJ-E application [PNP Output]

| PL/safety category | Model   | Stop category | Reset  |
|--------------------|---|---------------|--------|
| PLe/4 equivalent   | Safety Light Curtain F3SJ-E□□□□P25<br>Safety Relay G7SA | 0             | Manual |

**Note:** The above PL is only the evaluation result of the example. The PL must be evaluated in an actual application by the customer after confirming the usage conditions.

### ● Application Overview

- The power supply to the motor M is turned OFF when the beam is blocked.
- The power supply to the motor M is kept OFF until the beams are unblocked and the reset switch S2 is pressed.



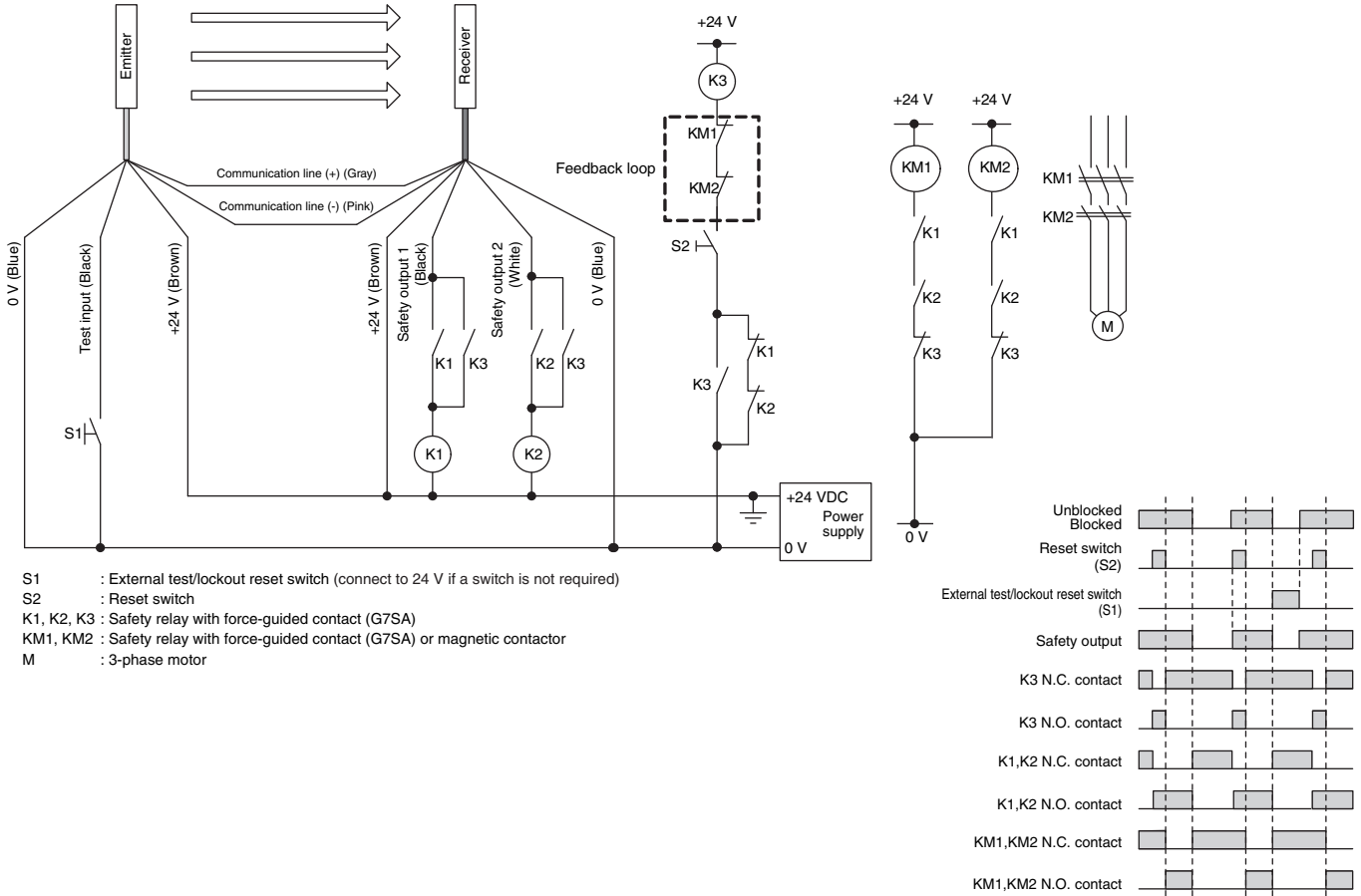
## Wiring for single F3SJ-E application [NPN Output]

| PL/safety category | Model  | Stop category | Reset  |
|--------------------|--|---------------|--------|
| PLe/4 equivalent   | Safety Light Curtain F3SJ-E□□□□□N25<br>Safety Relay G7SA | 0             | Manual |

**Note:** The above PL is only the evaluation result of the example. The PL must be evaluated in an actual application by the customer after confirming the usage conditions.

### ● Application Overview

- The power supply to the motor M is turned OFF when the beam is blocked.
- The power supply to the motor M is kept OFF until the beams are unblocked and the reset switch S2 is pressed.





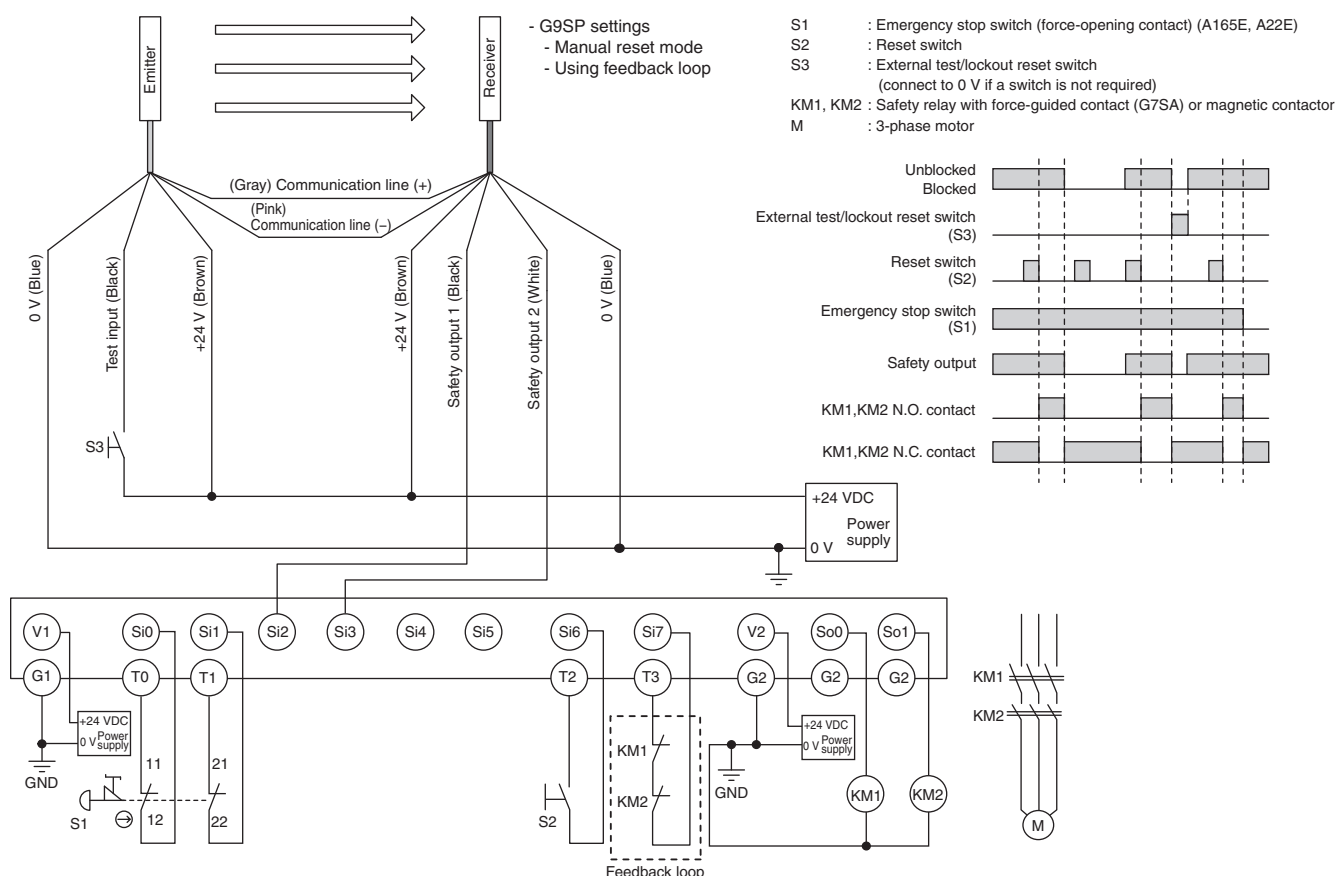
Wiring to connect a F3SJ-E with a controller G9SP [PNP Output]

| PL/safety category            | Model   | Stop category | Reset  |
|-------------------------------|---|---------------|--------|
| PL <sub>e</sub> /4 equivalent | Safety Light Curtain F3SJ-E□□□□P25<br>Safety Controller G9SP<br>Safety Relay G7SA<br>Emergency Stop Switch A165E/A22E | 0             | Manual |

**Note:** The above PL is only the evaluation result of the example. The PL must be evaluated in an actual application by the customer after confirming the usage conditions.

● Application Overview

- The power supply to the motor M is turned OFF when the beam is blocked.
- The power supply to the motor M is turned OFF when the emergency stop switch is pressed.
- The power supply to the motor M is kept OFF until the beams are unblocked and the reset switch S2 is pressed while the emergency stop switch is released.



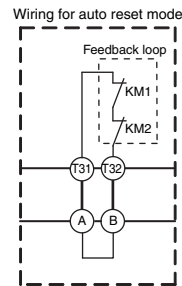
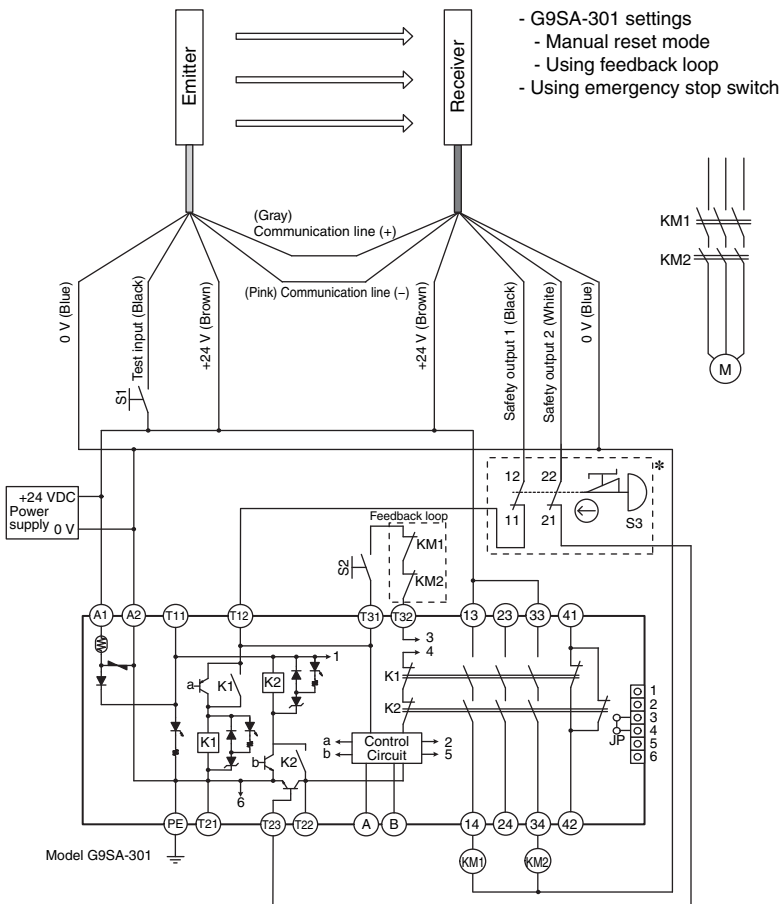
## Wiring to connect a F3SJ-E with a controller G9SA-301 [PNP Output]

| PL/safety category | Model   | Stop category | Reset  |
|--------------------|---|---------------|--------|
| PLe/4 equivalent   | Safety Light Curtain F3SJ-E□□□□P25<br>Safety Relay Unit G9SA-301 24V AC/DC<br>Safety Relay G7SA<br>Emergency Stop Switch A165E/A22E | 0             | Manual |

**Note:** The above PL is only the evaluation result of the example. The PL must be evaluated in an actual application by the customer after confirming the usage conditions.

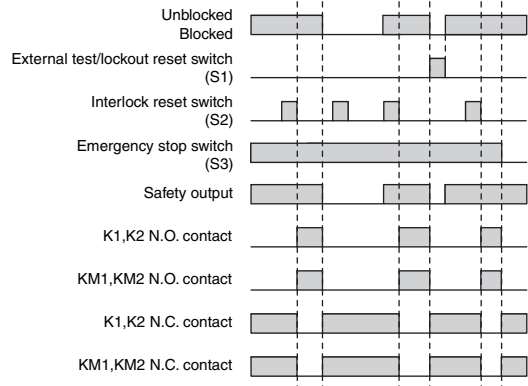
### ● Application Overview

- The power supply to the motor M is turned OFF when the beam is blocked.
- The power supply to the motor M is turned OFF when the emergency stop switch is pressed.
- The power supply to the motor M is kept OFF until the beams are unblocked and the reset switch S2 is pressed while the emergency stop switch is released.



\* If an emergency stop switch is not used, connect safety output 1 to T12 terminal and safety output 2 to T23 directly.

- S1: External test/lockout reset switch (connect to 0 V if a switch is not required)
- S2: Interlock reset switch
- S3: Emergency stop switch (force-opening contact) (A165E, A22E)
- KM1, KM2: Safety relay with force-guided contact (G7SA) or magnetic contactor
- M: 3-phase motor



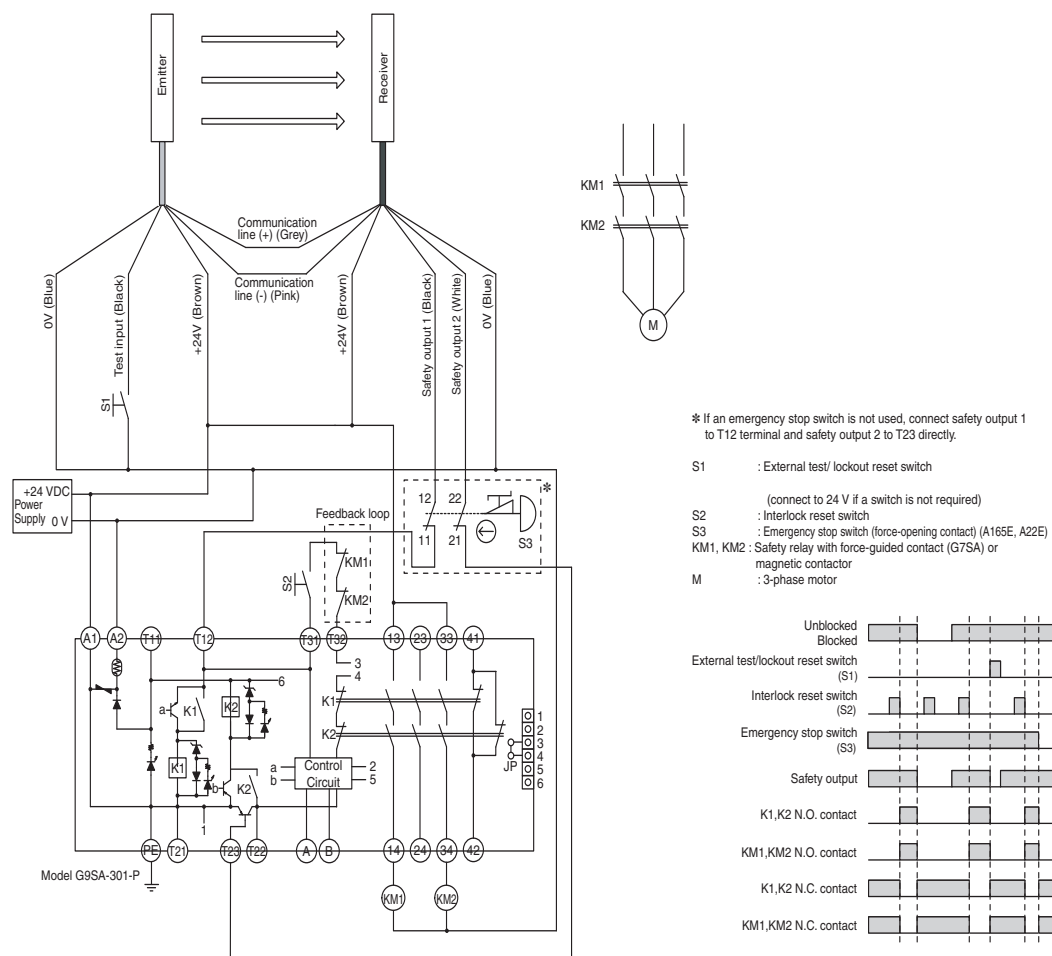
Wiring to connect a F3SJ-E with a controller G9SA-301-P [NPN Output]

| PL/safety category | Model  | Stop category | Reset  |
|--------------------|--|---------------|--------|
| PLe/4 equivalent   | Safety Light Curtain F3SJ-E□□□□N25<br>Safety Relay Unit G9SA-301-P 24V DC<br>Safety Relay G7SA<br>Emergency Stop Switch A165E/A22E | 0             | Manual |

**Note:** The above PL is only the evaluation result of the example. The PL must be evaluated in an actual application by the customer after confirming the usage conditions.

● Application Overview

- The power supply to the motor M is turned OFF when the beam is blocked.
- The power supply to the motor M is turned OFF when the emergency stop switch is pressed.
- The power supply to the motor M is kept OFF until the beams are unblocked and the reset switch S2 is pressed while the emergency stop switch is released.



\* If an emergency stop switch is not used, connect safety output 1 to T12 terminal and safety output 2 to T23 directly.

- S1 : External test/ lockout reset switch  
(connect to 24 V if a switch is not required)
- S2 : Interlock reset switch
- S3 : Emergency stop switch (force-opening contact) (A165E, A22E)
- KM1, KM2 : Safety relay with force-guided contact (G7SA) or magnetic contactor
- M : 3-phase motor

- Note:**
1. As the G9SP Safety Controller is a PNP output type, it cannot be connected to the F3SJ-E□□□□N25. Also, a Safety Controller with PNP output cannot be connected to the F3SJ-E□□□□N25.
  2. The G9SA-301-P is a safety relay unit only for NPN output.

# Safety Light Curtain

# F3SJ-B

## Basic Type with a combination of performance and functionality

- Up to three sets of series-connected sensors.
- The muting function is enabled simply with Muting Key Cap.
- Comes standard with interlock and auxiliary output functions.

### Related information

|                       |                   |
|-----------------------|-------------------|
| Dimensions            | : Page 54 to 60   |
| Function List         | : Page 97 to 97   |
| Safety Precautions    | : Page 99         |
| Precautions on Safety | : Page 100 to 104 |

## Ordering Information

### Main Units

#### Safety Light Curtain

| Application              | Detection capability | Beam gap | Operating range | Protective height (mm) | Model                    |               |
|--------------------------|----------------------|----------|-----------------|------------------------|--------------------------|---------------|
|                          |                      |          |                 |                        | PNP output               | NPN output    |
| Hand protection          | Dia. 25 mm           | 20 mm    | 0.2 to 7 m      | 185 to 2,065           | F3SJ-B□□□□P25<br>*1      | F3SJ-B□□□□N25 |
| Hand protection          | Dia. 25 mm           | 20 mm    | 0.2 to 7 m      | 185 to 2,065           | F3SJ-B□□□□P25-01TS<br>*2 | ---           |
| Environmental resistance | Dia. 25 mm           | 20 mm    | 0.2 to 6 m      | 225 to 1,985           | F3SJ-B□□□□P25-02TS<br>*2 | ---           |

\*1. For S-mark compatible model, the suffix "-S" is added to the model name. (except for models with the suffix "-01TS" or "-02TS".)  
(Example) F3SJ-E0185P25-S

\*2. The F3SJ-B series with the suffix "-01TS" or "02TS" have different functions. Refer to page 35 for details.

#### Safety Light Curtain Model List

Please contact our sales representative.

#### F3SJ-B Series (20 mm pitch)

#### F3SJ-B-01TS Series (20 mm pitch)

#### F3SJ-B-02TS Series (20 mm pitch)

| Model         |               |                    |                    | Number of beams | Protective height [mm] * |
|---------------|---------------|--------------------|--------------------|-----------------|--------------------------|
| PNP output    | NPN output    | PNP output         | PNP output         |                 |                          |
| F3SJ-B0185P25 | F3SJ-B0185N25 | F3SJ-B0185P25-01TS | -                  | 8               | 185                      |
| F3SJ-B0225P25 | F3SJ-B0225N25 | F3SJ-B0225P25-01TS | F3SJ-B0225P25-02TS | 10              | 225                      |
| F3SJ-B0305P25 | F3SJ-B0305N25 | F3SJ-B0305P25-01TS | F3SJ-B0305P25-02TS | 14              | 305                      |
| F3SJ-B0385P25 | F3SJ-B0385N25 | F3SJ-B0385P25-01TS | F3SJ-B0385P25-02TS | 18              | 385                      |
| F3SJ-B0465P25 | F3SJ-B0465N25 | F3SJ-B0465P25-01TS | F3SJ-B0465P25-02TS | 22              | 465                      |
| F3SJ-B0545P25 | F3SJ-B0545N25 | F3SJ-B0545P25-01TS | F3SJ-B0545P25-02TS | 26              | 545                      |
| F3SJ-B0625P25 | F3SJ-B0625N25 | F3SJ-B0625P25-01TS | F3SJ-B0625P25-02TS | 30              | 625                      |
| F3SJ-B0705P25 | F3SJ-B0705N25 | F3SJ-B0705P25-01TS | F3SJ-B0705P25-02TS | 34              | 705                      |
| F3SJ-B0785P25 | F3SJ-B0785N25 | F3SJ-B0785P25-01TS | F3SJ-B0785P25-02TS | 38              | 785                      |
| F3SJ-B0865P25 | F3SJ-B0865N25 | F3SJ-B0865P25-01TS | F3SJ-B0865P25-02TS | 42              | 865                      |
| F3SJ-B0945P25 | F3SJ-B0945N25 | F3SJ-B0945P25-01TS | F3SJ-B0945P25-02TS | 46              | 945                      |
| F3SJ-B1025P25 | F3SJ-B1025N25 | F3SJ-B1025P25-01TS | F3SJ-B1025P25-02TS | 50              | 1,025                    |
| F3SJ-B1105P25 | F3SJ-B1105N25 | F3SJ-B1105P25-01TS | F3SJ-B1105P25-02TS | 54              | 1,105                    |
| F3SJ-B1185P25 | F3SJ-B1185N25 | F3SJ-B1185P25-01TS | F3SJ-B1185P25-02TS | 58              | 1,185                    |
| F3SJ-B1265P25 | F3SJ-B1265N25 | F3SJ-B1265P25-01TS | F3SJ-B1265P25-02TS | 62              | 1,265                    |
| F3SJ-B1345P25 | F3SJ-B1345N25 | F3SJ-B1345P25-01TS | F3SJ-B1345P25-02TS | 66              | 1,345                    |
| F3SJ-B1425P25 | F3SJ-B1425N25 | F3SJ-B1425P25-01TS | F3SJ-B1425P25-02TS | 70              | 1,425                    |
| F3SJ-B1505P25 | F3SJ-B1505N25 | F3SJ-B1505P25-01TS | F3SJ-B1505P25-02TS | 74              | 1,505                    |
| F3SJ-B1585P25 | F3SJ-B1585N25 | F3SJ-B1585P25-01TS | F3SJ-B1585P25-02TS | 78              | 1,585                    |
| F3SJ-B1665P25 | F3SJ-B1665N25 | F3SJ-B1665P25-01TS | F3SJ-B1665P25-02TS | 82              | 1,665                    |
| F3SJ-B1745P25 | F3SJ-B1745N25 | F3SJ-B1745P25-01TS | F3SJ-B1745P25-02TS | 86              | 1,745                    |
| F3SJ-B1825P25 | F3SJ-B1825N25 | F3SJ-B1825P25-01TS | F3SJ-B1825P25-02TS | 90              | 1,825                    |
| F3SJ-B1905P25 | F3SJ-B1905N25 | F3SJ-B1905P25-01TS | F3SJ-B1905P25-02TS | 94              | 1,905                    |
| F3SJ-B1985P25 | F3SJ-B1985N25 | F3SJ-B1985P25-01TS | F3SJ-B1985P25-02TS | 98              | 1,985                    |
| F3SJ-B2065P25 | F3SJ-B2065N25 | F3SJ-B2065P25-01TS | -                  | 102             | 2,065                    |

\* Protective height (mm) = Total sensor length

Note: 1. The models with the suffix "-01TS" or "-02TS" are the PNP type only.


2. The test input logic is inverted for the models with the suffix "-01TS".

3. Reset mode is fixed with auto reset mode for the models with the suffix "-01TS" or "-02TS".

## Accessories (Sold separately)


### Single-end Connector Cable (2 cables per set, for emitter and receiver)

For wiring with safety circuit such as single safety relay, safety relay unit, and safety controller

| Appearance  | Cable length | Specifications        | Model     |
|---|--------------|-----------------------|-----------|
|  | 3 m          | M12 connector (8-pin) | F39-JD3A  |
|   | 7 m          |                       | F39-JD7A  |
|   | 10 m         |                       | F39-JD10A |
|   | 15 m         |                       | F39-JD15A |
|   | 20 m         |                       | F39-JD20A |



### Double-end Connector Cable (2 cables per set, for emitter and receiver)

Control unit for connection with F3SP-B1P, to extend the length under series connection \*

| Appearance  | Cable length | Specifications        | Model     |
|---|--------------|-----------------------|-----------|
|  | 0.5 m        | M12 connector (8-pin) | F39-JDR5B |
|   | 1 m          |                       | F39-JD1B  |
|   | 3 m          |                       | F39-JD3B  |
|   | 5 m          |                       | F39-JD5B  |
|   | 7 m          |                       | F39-JD7B  |
|   | 10 m         |                       | F39-JD10B |
|   | 15 m         |                       | F39-JD15B |
|   | 20 m         |                       | F39-JD20B |

\* To extend the cable length under series connection, use F39-JBR2W and F39-JD□B in combination. Also, the cable length 10 to 20m cannot be used.

### Series-connection Cable (2 cables per set, for emitter and receiver)

| Type                                  | Appearance  | Cable length | Model        | Application  |
|---------------------------------------|---|--------------|--------------|--|
| Series connection cable for extension |  | 0.2 m        | F39-JBR2W *1 | For series connection *2   |
| Extension cable                       |  | 0.5 to 7 m   | F39-JD□B     | To change series connection length in combination with F39-JBR2W |


\*1. This product is for F3SJ-B only.

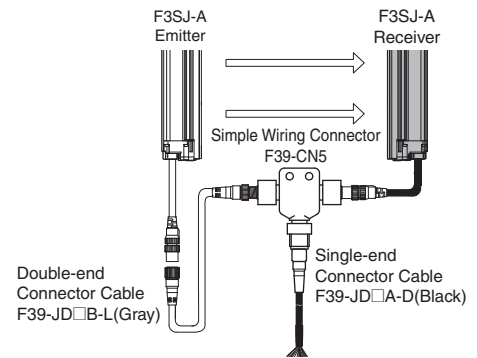
\*2. Total cable length of series connection is 0.5 m to connect to connector cable of the main sensor unit.




## Simple wiring connector system (Order F39-CN5 and optimal set of cables for emitter and receiver.)

### Simple wiring connector

| Appearance  | Model          | Application      |
|---|----------------|------------------|
|  | <b>F39-CN5</b> | To reduce wiring |





### Cable for simple wiring \* (2 cables per set, for emitter and receiver)

| Appearance   | Cable length                  | Model               | Application      | Remarks  |
|--|-------------------------------|---------------------|------------------|--|
|  | Emitter: 3m<br>Receiver: 3m   | <b>F39-JD0303BA</b> | To reduce wiring | Double-end Connector Cable: F39-JD3B-L<br>Single-end Connector Cable: F39-JD3A-D   |
|  | Emitter: 3m<br>Receiver: 7m   | <b>F39-JD0307BA</b> |                  | Double-end Connector Cable: F39-JD3B-L<br>Single-end Connector Cable: F39-JD7A-D   |
|  | Emitter: 3m<br>Receiver: 10m  | <b>F39-JD0310BA</b> |                  | Double-end Connector Cable: F39-JD3B-L<br>Single-end Connector Cable: F39-JD10A-D  |
|  | Emitter: 5m<br>Receiver: 3m   | <b>F39-JD0503BA</b> |                  | Double-end Connector Cable: F39-JD5B-L<br>Single-end Connector Cable: F39-JD3A-D   |
|  | Emitter: 5m<br>Receiver: 7m   | <b>F39-JD0507BA</b> |                  | Double-end Connector Cable: F39-JD5B-L<br>Single-end Connector Cable: F39-JD7A-D   |
|  | Emitter: 5m<br>Receiver: 10m  | <b>F39-JD0510BA</b> |                  | Double-end Connector Cable: F39-JD5B-L<br>Single-end Connector Cable: F39-JD10A-D  |
|  | Emitter: 10m<br>Receiver: 3m  | <b>F39-JD1003BA</b> |                  | Double-end Connector Cable: F39-JD10B-L<br>Single-end Connector Cable: F39-JD3A-D  |
|  | Emitter: 10m<br>Receiver: 7m  | <b>F39-JD1007BA</b> |                  | Double-end Connector Cable: F39-JD10B-L<br>Single-end Connector Cable: F39-JD7A-D  |
|  | Emitter: 10m<br>Receiver: 10m | <b>F39-JD1010BA</b> |                  | Double-end Connector Cable: F39-JD10B-L<br>Single-end Connector Cable: F39-JD10A-D |

**Note:** Cables for the emitter and receiver with other cable lengths than those listed above can also be used in combination. Please contact your OMRON sales representative for details.

\* The cable for the emitter is a double-end connector cable, and the cable for the receiver is a single-end connector cable.


### Relays with Forcibly Guided Contacts

| Type   | Appearance  | Specifications  | Model             | Remarks   |
|--|---|---|-------------------|---|
| G7SA Relays with Forcibly Guided Contacts    |  | <ul style="list-style-type: none"> <li>Nodes: 4</li> <li>Contact type: 2NO+2NC</li> <li>Rated switch load: 250 VAC 6A, 30 VDC 6A</li> </ul>     | <b>G7SA-2A2B</b>  | For details on other models or socket models, refer to the OMRON's website. |
|  |   | <ul style="list-style-type: none"> <li>Nodes: 4</li> <li>Contact type: 3NO+1NC</li> <li>Rated switch load: 250 VAC 6A, 30 VDC 6A</li> </ul>     | <b>G7SA-3A1B</b>  |   |
| G7S-□-E Relays with Forcibly Guided Contacts |  | <ul style="list-style-type: none"> <li>Nodes: 6</li> <li>Contact type: 4NO+2NC</li> <li>Rated switch load: 250 VAC 10 A, 30 VDC 10 A</li> </ul> | <b>G7S-4A2B-E</b> | For details on other models or socket models, refer to the OMRON's website. |
|  |   | <ul style="list-style-type: none"> <li>Nodes: 6</li> <li>Contact type: 3NO+3NC</li> <li>Rated switch load: 250 VAC 10 A, 30 VDC 10 A</li> </ul> | <b>G7S-3A3B-E</b> |   |

### Test rod (Sold separately)


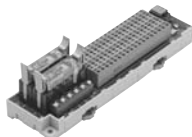
| Diameter  | Model            |
|-----------|------------------|
| 14mm dia. | <b>F39-TRD14</b> |
| 20mm dia. | <b>F39-TRD20</b> |
| 25mm dia. | <b>F39-TRD25</b> |
| 30mm dia. | <b>F39-TRD30</b> |

**Control Unit (Can not be used as a muting system)  
(Dedicated PNP output type)**

| Appearance  | Output         | Model             | Remarks  |
|---|----------------|-------------------|--|
|  | Relay, 3NO+1NC | <b>F3SP-B1P *</b> | For connection with F3SJ-B, use a double-end connector cable F39-JD□□. |

\* F3SJ for NPN output type cannot be connected.


**Wire-saving Devices**

| Type  | Appearance  | Specifications                      | Model              | Remarks  |
|---|---|-------------------------------------|--------------------|--|
| Connector Terminal Box/<br>Muting Terminals<br>*2 |  | Model with PNP Muting Sensor Output | <b>F39-TC5P01</b>  | Significantly reduces amount of wiring between Safety Light Curtains and Muting Sensors. IP67 model for mounting at Sensor installation site. For details, refer to the OMRON's website. |
|   |   | Model with PNP Override Input       | <b>F39-TC5P02</b>  |  |
|   |   | Model with NPN Muting Sensor Output | <b>F39-TC5N01</b>  |  |
|   |   | Model with NPN Override Input       | <b>F39-TC5N02</b>  |  |
| Safety Terminal Relays<br>*2                      |  | PNP output relay, SPDT-NO           | <b>F3SP-T01 *1</b> | Significantly reduces amount of wiring between Safety Light Curtains and Muting Sensors. For details, refer to the OMRON's website.  |

\*1. F3SJ for NPN output type cannot be connected.


\*2. The models with the suffix "-01TS" cannot be connected.

**Laser Pointer**

| Appearance  | Output                 | Model            |
|---|------------------------|------------------|
|  | Laser Pointer for F3SJ | <b>F39-PTJ *</b> |

\* It cannot be mounted to the models with the suffix "-02TS".


**Spatter Protection Cover (2 cables per set, common for emitter/receiver) (10% Operating Range Attenuation)**

| Appearance  | Model                   |
|---|-------------------------|
|  | <b>F39-HB□□□□ *1 *2</b> |

\*1. The same 4-digit numbers as the protective heights (□□□□ in the light curtain model names) are substituted by in the model names.

\*2. It cannot be mounted to the models with the suffix "-02TS".

**Protective Bar**

| Appearance  | Model                     | Remarks   |
|---|---------------------------|---|
|  | <b>F39-PB□□□□ *1</b>      | <ul style="list-style-type: none"> <li>• 2 Light Curtain brackets</li> <li>• 4 mounting brackets</li> <li>• 0 to 4 intermediate brackets for backside mounting (quantity required for the sensing width)</li> <li>• 0 to 4 intermediate brackets for mounting to the sides (quantity required for the sensing width)</li> </ul> |
|   | <b>F39-PB□□□□-S *1 *2</b> | <ul style="list-style-type: none"> <li>• 1 Light Curtain bracket</li> <li>• 2 mounting brackets</li> <li>• 0 to 2 intermediate brackets for backside mounting (quantity required for the sensing width)</li> <li>• 0 to 2 intermediate brackets for mounting to the sides (quantity required for the sensing width)</li> </ul>  |


**Note:** The following are not provided with the Protective Bars.

- Safety Light Curtain
- Safety Light Curtain Top/Bottom Brackets
- Wall Mounting Screw Unit







\*1. The same four digits indicating protective height that are used in the Sensor model number (□□□□) are used in the part of the Protector model number.

\*2. Purchase the F39-PB□□□□ (which contains two sets of brackets) to use Protective Bars for both the Emitter and Receiver.

## Mirrors (12% Operating Range Attenuation)

| Appearance  | Mirror material | Width (mm) | Thickness (mm) | Length (mm) | Model       | Remarks  |
|---|-----------------|------------|----------------|-------------|-------------|--|
|  | Glass mirror    | 145        | 32             | 406         | F39-MLG0406 | 2 sets of Cylindrical mounting rod, 4 screws are included. |
|   |                 |            |                | 610         | F39-MLG0610 |  |
|   |                 |            |                | 711         | F39-MLG0711 |  |
|   |                 |            |                | 914         | F39-MLG0914 |  |
|   |                 |            |                | 1,067       | F39-MLG1067 |  |
|   |                 |            |                | 1,219       | F39-MLG1219 |  |
|   |                 |            |                | 1,422       | F39-MLG1422 |  |
|   |                 |            |                | 1,626       | F39-MLG1626 |  |
|   |                 |            |                | 1,830       | F39-MLG1830 |  |
|   |                 |            |                | 2,134       | F39-MLG2134 |  |


## Sensor mounting bracket (Sold separately)

| Appearance  | Specifications                                   | Model           | Application  | Remarks  |
|---|--|-----------------|--|--|
|    | Top/bottom bracket                               | F39-LJB1        | Top/bottom bracket for F3SJ-E/B  | 2 for an emitter, 2 for a receiver, total of 4 per set |
|   | Intermediate bracket                             | F39-LJB2 *1 *2  | In combination use with top/bottom bracket for F3SJ-E/B<br>Can be used as free-location bracket. | 1 set with 2 pieces                                    |
|  | Quick mount bracket                              | F39-LJB3-M6 *1  | Quick mount bracket for F3SJ-E/B<br>Supports M6 slide nut for aluminum frame.                    | 1 set with 2 pieces                                    |
|   |  | F39-LJB3-M8 *2  | Quick mount bracket for F3SJ-E/B<br>Supports M8 slide nut for aluminum frame.                    |  |
|  | Quick mount M6 bracket<br>Quick mount M8 bracket | F39-LJB3-M6K *1 | Bracket to mount an intermediate bracket to the aluminum frame with a single touch.              | Hexagon socket head cap screws (M6 x 10) are included. |
|   |  | F39-LJB3-M8K *2 |  | Hexagon socket head cap screws (M8 x 14) are included. |
|  | Compatible mounting bracket                      | F39-LJB4        | Mounting bracket used when replacing existing area sensors (F3SJ-A or F3SN) with the F3SJ-E/B.   | 2 for an emitter, 2 for a receiver, total of 4 per set |
|  | Contact mount bracket                            | F39-LJB5        | Bracket to closely contact the back side of the Sensor.  | 2 for an emitter, 2 for a receiver, total of 4 per set |

\*1. Combining F39-LJB2 and F39-LJB3-M6K makes F39-LJB3-M6.

\*2. Combining F39-LJB2 and F39-LJB3-M8K makes F39-LJB3-M8.

## Key Cap for Muting

| Appearance  | Model             | Remarks   |
|---|-------------------|---|
|  | F39-CN10<br>*1 *2 | A cap to be attached to the main unit to enable muting function.<br>Attach it to either an emitter or a receiver.<br>(Case: orange) |

\*1. This product is for F3SJ-B only.

\*2. The models with the suffix "-01TS" cannot be connected.

## Specifications (For details, refer to the instruction manual or User's manual.)

### Main Units

F3SJ-B□□□□P25/N25

| Model  | PNP output   | F3SJ-B□□□□P25  |
|--|--|--|
|  | NPN output   | F3SJ-B□□□□N25  |
| <b>Sensor type</b>   | Type 4 safety light curtain  |  |
| <b>Setting tool connection *1</b>                            | Parameter settings: Not available  |  |
| <b>Safety category</b>                                       | Safety purpose of category 4, 3, 2, 1, or B  |  |
| <b>Detection capability</b>                                  | Opaque objects 25mm in diameter  |  |
| <b>Beam gap (P)</b>  | 20 mm  |  |
| <b>Number of beams (n)</b>                                   | 8 to 102   |  |
| <b>Protective height (PH)</b>                                | 185 to 2,065 mm  |  |
| <b>Lens diameter</b>   | Diameter 5 mm  |  |
| <b>Operating range *2</b>                                    | 0.2 to 7 m   |  |
| <b>Response time (under stable light incident condition)</b> | <b>ON to OFF</b>   | 15 ms max. (response time at 1 set connection, series connection of 2 sets or 3 sets)  |
|  | <b>OFF to ON</b>   | 70 ms max. (response time at 1 set connection, series connection of 2 sets or 3 sets)  |
| <b>Startup waiting time</b>                                  | 2 s max.   |  |
| <b>Power supply voltage (Vs)</b>                             | SELV/PELV 24 VDC±20% (ripple p-p 10% max.)   |  |
| <b>Consumption current (no load)</b>                         | <b>PNP output</b>  | Emitter : Up to 22 beams: 52 mA max., 26 to 42 beams: 68 mA max., 46 to 62 beams: 75 mA max., 66 to 82 beams: 88 mA max., 86 to 102 beams: 101 mA max.<br>Receiver : Up to 22 beams: 45 mA max., 26 to 42 beams: 50 mA max., 46 to 62 beams: 56 mA max., 66 to 82 beams: 61 mA max., 86 to 102 beams: 67 mA max. |
|  | <b>NPN output</b>  | Emitter : Up to 22 beams: 52 mA max., 26 to 42 beams: 68 mA max., 46 to 62 beams: 75 mA max., 66 to 82 beams: 88 mA max., 86 to 102 beams: 101 mA max.<br>Receiver : Up to 22 beams: 47 mA max., 26 to 42 beams: 52 mA max., 46 to 62 beams: 58 mA max., 66 to 82 beams: 63 mA max., 86 to 102 beams: 69 mA max. |
| <b>Light source (emitted wavelength)</b>                     | Infrared LED (870 nm)  |  |
| <b>Effective aperture angle (EAA)</b>                        | Based on IEC 61496-2. Within +/-2.5° for both emitter and receiver when the detection distance is 3 m or over  |  |
| <b>Safety outputs (OSSD)</b>                                 | <b>PNP output</b>  | Two PNP transistor outputs, load current 200 mA max., residual voltage 2 V max. (except for voltage drop due to cable extension), Leakage current 1 mA max., load inductance 2.2 H max. *3, Maximum capacity load 1 µF *4  |
|  | <b>NPN output</b>  | Two NPN transistor outputs, load current 200 mA max., residual voltage 2 V max. (except for voltage drop due to cable extension), Leakage current 1 mA max., load inductance 2.2 H max. *3, Maximum capacity load 1 µF *4  |
| <b>Auxiliary output 1</b>                                    | <b>PNP output</b>  | One PNP transistor outputs, load current 100 mA max., residual voltage 2 V max. (except for voltage drop due to cable extension), leak current 1 mA max.   |
|  | <b>NPN output</b>  | One NPN transistor outputs, load current 100 mA max., residual voltage 2 V max. (except for voltage drop due to cable extension), leak current 1 mA max.   |
| <b>Output operation mode</b>                                 | Safety output: On when receiving light<br>Auxiliary output:<br>- Reverse output of safety output for a basic system<br>- ON when muting/override for a muting system   |  |
| <b>Input voltage</b>   | <b>PNP output</b>  | ON voltage: Vs-3 V to Vs OFF voltage: 0 V to 1/2 Vs or open *5   |
|  | <b>NPN output</b>  | ON voltage: 0 V to 3 V OFF voltage: 1/2 Vs to Vs or open *5  |
| <b>Mutual interference prevention function</b>               | Mutual interference prevention algorithm prevents interference in up to 3 sets.  |  |
| <b>Series connection</b>                                     | Time division emission by series connection<br>• Number of connections: up to 3 sets (between F3SJ-Bs only) Other models cannot be connected.<br>• Total number of beams: up to 192 beams<br>• Maximum cable length for 2 sets: no longer than 7 m |  |
| <b>Test function</b>   | • Self test (at power-ON and at power distribution)<br>• External test (emission stop function by test input)  |  |
| <b>Safety-related functions</b>                              | • Interlock (basic system)<br>• External device monitoring (basic system)<br>• Muting (muting system)<br>• Override (muting system)  |  |
| <b>Connection type</b>                                       | Connector method (M12, 8-pin)  |  |
| <b>Protection circuit</b>                                    | Output short-circuit protection, and power supply reverse polarity protection  |  |
| <b>Ambient temperature</b>                                   | Operating: -10 to 55°C (non-freezing), Storage: -25 to 70°C  |  |
| <b>Ambient humidity</b>                                      | Operating: 35% to 85% (no condensation), Storage: 35% to 95% RH  |  |
| <b>Operating ambient light intensity</b>                     | Incandescent lamp: 3,000 lx max., Sunlight: 10,000 lx max.   |  |
| <b>Insulation resistance</b>                                 | 20 MΩ min. (at 500 VDC)  |  |
| <b>Dielectric strength</b>                                   | 1,000 VAC 50/60 Hz, 1 min  |  |
| <b>Degree of protection</b>                                  | IP65 (IEC 60529)   |  |
| <b>Vibration resistance</b>                                  | Malfunction: 10 to 55 Hz, Multiple amplitude of 0.7 mm, 20 sweeps in X, Y, and Z directions  |  |
| <b>Shock resistance</b>                                      | Malfunction: 100 m/s <sup>2</sup> , 1,000 times each in X, Y, and Z directions   |  |
| <b>Pollution degree</b>                                      | Pollution degree 3 (IEC 60664-1)   |  |

|                              |  |
|------------------------------|--|
| <b>Power cable</b>           | Connection method: Prewired connector cable, cable length 0.3 m, connector type (M12, 8-pin), connector: IP67 rated (when mated)<br>Number of wires: 8 wires<br>Cable diameter: Dia. 6 mm<br>Allowable bending radius: R5 mm   |
| <b>Extension cable</b>       | 30 m max.  |
| <b>Material</b>              | Case: Aluminum<br>Cap: ABS resin, PBT<br>Optical cover: PMMA resin (acrylic)<br>Cable: Oil resistant PVC   |
| <b>Weight (packed state)</b> | Weight (g) = (protective height) x 2.7 + 500   |
| <b>Accessories</b>           | Instruction Manual, User's Manual (CD-ROM) *6  |
| <b>Applicable standards</b>  | IEC 61496-1, EN 61496-1, UL 61496-1, Type 4 ESPE (Electro-Sensitive Protective Equipment)<br>IEC 61496-2, CLC/TS 61496-2, UL 61496-2, Type 4 AOPD (Active Opto-electronic Protective Devices)<br>IEC 61508-1 to -3, EN 61508-1 to -3 SIL3<br>ISO 13849-1: 2006, EN ISO 13849-1: 2008 (PLe/Safety Category 4)<br>UL 508, UL 1998, CAN/CSA C22.2 No.14, CAN/CSA C22.2 No.0.8 |

- \*1. Do not use the Support Software and Setting Console for F3SJ-A. Operation cannot be guaranteed.
- \*2. Use of the Spatter Protection Cover causes a 10% maximum sensing distance attenuation.
- \*3. The load inductance is the maximum value when the safety output frequently repeats ON and OFF. When you use the safety output at 4 Hz or less, the usable load inductance becomes larger.
- \*4. These values must be taken into consideration when connecting elements including a capacitive load such as capacitor.
- \*5. The Vs indicates a voltage value in your environment.
- \*6. Mounting brackets are sold separately.

## Indicator (F3SJ-B□□□□P25/N25)

### Emitter

| Name of indicator           | Label           | ON   | Blinking   |
|-----------------------------|-----------------|--|--|
| Top-beam-state indicator    | TOP             | Turns ON when the top beam is receiving light.   | Blinks during muting/override, or when cap error or connection error occurs.       |
| Stable-state indicator      | STB             | Turns ON when incidence level is more than 170% of the output ON threshold.            | Blinks when the safety output is turned OFF due to disturbance light or vibration. |
| ON/OFF-state indicator      | ON<br>OFF       | Green: Turns ON when safety output is ON.<br>Red: Turns OFF when safety output is OFF. | Red: Blinks when the F3SJ-B enters a lockout due to a safety output error.         |
| Lockout indicator           | LOCKOUT         | Turns ON when the F3SJ-B enters a lockout on the receiver.                             | Blinks when the F3SJ-B enters a lockout on the emitter.                            |
| Power indicator             | POWER           | Turns ON while the power of the emitter is ON.   | Blinks when the F3SJ-B enters a lockout due to power voltage/noise.                |
| Test indicator              | TEST            | ---  | Blinks when external test is being performed.                                      |
| Muting error indicator      | MUTING<br>ERROR | ---  | Blinks during a muting error.  |
| Muting input 1 indicator    | MUTE1           | Turns ON when muting input 1 is ON under the muting system.                            | ---  |
| Muting input 2 indicator    | MUTE2           | Turns ON when muting input 2 is ON under the muting system.                            | ---  |
| Bottom-beam-state indicator | BTM             | Turns ON when the bottom beam is receiving light.                                      | Blinks during muting/override.   |

### Receiver

| Name of indicator                    | Label      | ON   | Blinking   |
|--------------------------------------|------------|--|--|
| Top-beam-state indicator             | TOP        | Turns ON when the top beam is receiving light.   | Blinks during muting/override, or when cap error or connection error occurs.                     |
| Stable-state indicator               | STB        | Turns ON when incidence level is more than 170% of the output ON threshold.            | Blinks when the safety output is turned OFF due to disturbance light or vibration.               |
| ON/OFF-state indicator               | ON<br>OFF  | Green: Turns ON when safety output is ON.<br>Red: Turns OFF when safety output is OFF. | Red: Blinks when the F3SJ-B enters a lockout due to a safety output error.                       |
| Lockout indicator                    | LOCKOUT    | Turns ON when the F3SJ-B enters a lockout on the emitter.                              | Blinks when the F3SJ-B enters a lockout on the receiver.   |
| Communication indicator              | COM        | Turns ON when communication between emitter and receiver is established.               | Blinks when the F3SJ-B enters lockout due to a communication error between receiver and emitter. |
| Configuration indicator              | CFG        | ---  | Blinks when the F3SJ-B enters lockout due to a model type error between receiver and emitter.    |
| Internal error indicator             | INTERNAL   | ---  | Blinks when the F3SJ-B enters a lockout due to an internal error.                                |
| Interlock indicator                  | INT<br>-LK | Turns ON when the F3SJ-B is in interlock state.  | Blinks when the F3SJ-B enters a lockout due to a wiring error.                                   |
| External device monitoring indicator | EDM        | Turns ON when an input is given to external device monitoring input. *1 *2             | Blinks when the F3SJ-B enters a lockout due to an external device monitoring error.              |
| Bottom-beam-state indicator          | BTM        | Turns ON when the bottom beam is receiving light.                                      | Blinks during muting/override.   |

- \*1. It turns ON when there is an external device monitoring input regardless of the availability of the external device monitoring.
- \*2. The meanings of the indicators are different for the models with the suffix "-01TS". Refer to the F3SJ-B□□□□P25-01TS Safety Light Curtain User's Manual (SCHG-734) or the specifications of the models with the suffix "-01TS".



## Main Units

## F3SJ-B□□□□P25-01TS/-02TS

| Model   | F3SJ-B□□□□P25-01TS   |  | F3SJ-B□□□□P25-02TS   |  |
|---|--|--|--|--|
| Sensor type   | Type 4 safety light curtain  |  |  |  |
| Setting tool connection *1                            | Parameter settings: Not available  |  |  |  |
| Safety category                                       | Safety purpose of category 4, 3, 2, 1, or B  |  |  |  |
| Detection capability                                  | Opaque objects 25mm in diameter  |  |  |  |
| Beam gap (P)  | 20 mm  |  |  |  |
| Number of beams (n)                                   | 8 to 102   |  | 10 to 98   |  |
| Protective height (PH)                                | 185 to 2,065 mm  |  | 225 to 1,985 mm  |  |
| Lens diameter   | Diameter 5 mm  |  |  |  |
| Operating range                                       | 0.2 to 7 m *2  |  | 0.2 to 6 m   |  |
| Response time (under stable light incident condition) | ON to OFF  | 15 ms max. (response time at 1 set connection, series connection of 2 sets or 3 sets)  |  |  |
|   | OFF to ON  | 70 ms max. (response time at 1 set connection, series connection of 2 sets or 3 sets)  |  |  |
| Startup waiting time                                  | 2 s max.   |  |  |  |
| Power supply voltage (Vs)                             | SELV/PELV 24 VDC±20% (ripple p-p 10% max.)   |  |  |  |
| Consumption current (no load)                         | Emitter  | Up to 22 beams: 52 mA max., 26 to 42 beams: 68 mA max., 46 to 62 beams: 75 mA max., 66 to 82 beams: 88 mA max., 86 to 102 beams: 101 mA max. | Up to 22 beams: 52 mA max., 26 to 42 beams: 68 mA max., 46 to 62 beams: 75 mA max., 66 to 82 beams: 88 mA max., 86 to 98 beams: 99 mA max.   |  |
|   | Receiver   | Up to 22 beams: 45 mA max., 26 to 42 beams: 50 mA max., 46 to 62 beams: 56 mA max., 66 to 82 beams: 61 mA max., 86 to 102 beams: 67 mA max.  | Up to 22 beams: 45 mA max., 26 to 42 beams: 50 mA max., 46 to 62 beams: 56 mA max., 66 to 82 beams: 61 mA max., 86 to 98 beams: 66 mA max.   |  |
| Light source (emitted wavelength)                     | Infrared LED (870 nm)  |  |  |  |
| Effective aperture angle (EAA)                        | Based on IEC 61496-2. Within +/-2.5° for both emitter and receiver when the detection distance is 3 m or over  |  |  |  |
| Safety outputs (OSSD)                                 | Two PNP transistor outputs, load current 200 mA max., residual voltage 2 V max. (except for voltage drop due to cable extension), Leakage current 1 mA max., load inductance 2.2 H max. *3, Maximum capacity load 1 µF *4                                      |  |  |  |
| Auxiliary output 1                                    | One PNP transistor outputs, load current 100 mA max., residual voltage 2 V max. (except for voltage drop due to cable extension), leak current 1 mA max.   |  |  |  |
| Output operation mode                                 | Safety output: On when receiving light<br>Auxiliary output: Reverse output of safety output  |  | Safety output: On when receiving light<br>Auxiliary output:<br>• Basic system<br>Reverse output of safety output<br>• Muting system<br>On during muting/override   |  |
| Input voltage   | Test input<br>ON voltage: 0 V to 1/2 Vs or open *5<br>OFF voltage: Vs-3 V to Vs *5<br>Reset input, External device monitoring input<br>ON voltage: Vs-3 V to Vs *5<br>OFF voltage: 0 V to 1/2 Vs or open *5  |  | ON voltage: Vs-3 V to Vs *5<br>OFF voltage: 0 V to 1/2 Vs or open *5   |  |
| Mutual interference prevention function               | Mutual interference prevention algorithm prevents interference in up to 3 sets.  |  |  |  |
| Series connection                                     | Time division emission by series connection<br>• Number of connections: up to 3 sets (between F3SJ-B□□□□P25-01TSs only) Other models cannot be connected.<br>• Total number of beams: up to 192 beams<br>• Maximum cable length for 2 sets: no longer than 7 m |  | Time division emission by series connection<br>• Number of connections: up to 3 sets (between F3SJ-B□□□□P25-02TSs only) Other models cannot be connected.<br>• Total number of beams: up to 192 beams<br>Maximum cable length for 2 sets: no longer than 7 m |  |
| Test function   | • Self test (at power-ON and at power distribution)<br>• External test (emission stop function by test input)  |  |  |  |
| Safety-related functions                              | External device monitoring   |  | External device monitoring (basic system)<br>Muting (muting system)<br>Override (muting system)  |  |
| Connection type                                       | Connector method (M12, 8-pin)  |  |  |  |
| Protection circuit                                    | Output short-circuit protection, and power supply reverse polarity protection  |  |  |  |
| Ambient temperature                                   | Operating: -10 to 55°C (non-freezing), Storage: -25 to 70°C  |  |  |  |
| Ambient humidity                                      | Operating: 35% to 85% (no condensation), Storage: 35% to 95% RH  |  |  |  |
| Operating ambient light intensity                     | Incandescent lamp: 3,000 lx max., Sunlight: 10,000 lx max.   |  |  |  |
| Insulation resistance                                 | 20 MΩ min. (at 500 VDC)  |  |  |  |
| Dielectric strength                                   | 1,000 VAC 50/60 Hz, 1 min  |  |  |  |
| Degree of protection                                  | IP65 (IEC 60529)   |  |  |  |
| Vibration resistance                                  | Malfunction: 10 to 55 Hz, Multiple amplitude of 0.7 mm, 20 sweeps in X, Y, and Z directions  |  |  |  |
| Shock resistance                                      | Malfunction: 100 m/s <sup>2</sup> , 1,000 times each in X, Y, and Z directions   |  |  |  |
| Pollution degree                                      | Pollution degree 3 (IEC 60664-1)   |  |  |  |

|                              |  |  |
|------------------------------|--|--|
| <b>Power cable</b>           | Connection method: Prewired connector cable, cable length 0.3 m, connector type (M12, 8-pin), connector: IP67 rated (when mated)<br>Number of wires: 8 wires<br>Cable diameter: Dia. 6 mm<br>Allowable bending radius: R5 mm   |  |
| <b>Extension cable</b>       | 30 m max.  |  |
| <b>Material</b>              | Case: Aluminum<br>Cap: ABS resin, PBT<br>Optical cover: PMMA resin (acrylic)<br>Cable: Oil resistant PVC   |  |
| <b>Weight (packed state)</b> | Weight (g) = (protective height) x 2.7 + 500   | Weight (g) = (protective height) x 2.9 + 550 |
| <b>Accessories</b>           | User's Manual (CD-ROM), Instruction Manual *6  |  |
| <b>Applicable standards</b>  | IEC 61496-1, EN 61496-1, UL 61496-1, Type 4 ESPE (Electro-Sensitive Protective Equipment)<br>IEC 61496-2, CLC/TS 61496-2, UL 61496-2, Type 4 AOPD (Active Opto-electronic Protective Devices)<br>IEC 61508-1 to -3, EN 61508-1 to -3 SIL3<br>ISO 13849-1: 2006, EN ISO 13849-1: 2008 (PLe/Safety Category 4)<br>UL 508, UL 1998, CAN/CSA C22.2 No.14, CAN/CSA C22.2 No.0.8 |  |

**Note:** 1. The test input logic of the models with the suffix "-01TS" is inverted. Refer to the F3SJ-B□□□□P25-01TS Safety Light Curtain User's Manual (SCHG-734) for details.

2. Reset mode is fixed with auto reset mode.

\*1. Do not use the Support Software and Setting Console for F3SJ-A. Operation cannot be guaranteed.

\*2. Use of the Spatter Protection Cover causes a 10% maximum sensing distance attenuation.

\*3. The load inductance is the maximum value when the safety output frequently repeats ON and OFF. When you use the safety output at 4 Hz or less, the usable load inductance becomes larger.

\*4. These values must be taken into consideration when connecting elements including a capacitive load such as capacitor.

\*5. The Vs indicates a voltage value in your environment.

\*6. Mounting brackets and test rod are sold separately.

## Indicator (F3SJ-B□□□□P25-01TS)

### Emitter

| Name of indicator           | Label     | ON  | Blinking   |
|-----------------------------|-----------|---|--|
| Top-beam-state indicator    | TOP       | Turns ON when the top beam is receiving light.  | Blinks when cap error or connection error occurs.                                  |
| Stable-state indicator      | STB       | Turns ON when incidence level is 170% or more of the output ON threshold.             | Blinks when the safety output is turned OFF due to disturbance light or vibration. |
| ON/OFF-state indicator      | ON<br>OFF | Green: Turns ON when safety output is ON.<br>Red: Turns ON when safety output is OFF. | Red: Blinks when the F3SJ-B enters a lockout due to a safety output error.         |
| Lockout indicator           | LOCKOUT   | Turns ON when the F3SJ-B enters a lockout on the receiver.                            | Blinks when the F3SJ-B enters a lockout on the emitter.                            |
| Power indicator             | POWER     | Turns ON while the power of the emitter is ON.  | Blinks when the F3SJ-B enters a lockout due to power voltage/noise.                |
| Test indicator              | TEST      | ---   | Blinks when external test is being performed.                                      |
| Bottom-beam-state indicator | BTM       | Turns ON when the bottom beam is receiving light.                                     | ---  |

### Receiver

| Name of indicator                    | Label      | ON  | Blinking   |
|--------------------------------------|------------|---|--|
| Top-beam-state indicator             | TOP        | Turns ON when the top beam is receiving light.  | Blinks when cap error or connection error occurs.  |
| Stable-state indicator               | STB        | Turns ON when incidence level is 170% or more of the output ON threshold.             | Blinks when the safety output is turned OFF due to disturbance light or vibration.               |
| ON/OFF-state indicator               | ON<br>OFF  | Green: Turns ON when safety output is ON.<br>Red: Turns ON when safety output is OFF. | Red: Blinks when the F3SJ-B enters a lockout due to a safety output error.                       |
| Lockout indicator                    | LOCKOUT    | Turns ON when the F3SJ-B enters a lockout on the emitter.                             | Blinks when the F3SJ-B enters a lockout on the receiver.   |
| Communication indicator              | COM        | Turns ON when communication between emitter and receiver is established.              | Blinks when the F3SJ-B enters lockout due to a communication error between receiver and emitter. |
| Configuration indicator              | CFG        | ---   | Blinks when the F3SJ-B enters lockout due to a model type error between receiver and emitter.    |
| Internal error indicator             | INTERNAL   | ---   | Blinks when the F3SJ-B enters a lockout due to an internal error.                                |
| Interlock indicator                  | INT<br>-LK | Not used  | Not used   |
| External device monitoring indicator | EDM        | Turns ON when an input is given to external device monitoring input. *                | Blinks when the F3SJ-B enters a lockout due to an external device monitoring error.              |
| Bottom-beam-state indicator          | BTM        | Turns ON when the bottom beam is receiving light.                                     | ---  |

\* It turns ON when there is an external device monitoring input regardless of the availability of the external device monitoring.

## Indicator (F3SJ-B□□□□P25-02TS)

### Emitter

| Name of indicator           | Label           | ON  | Blinking   |
|-----------------------------|-----------------|---|--|
| Top-beam-state indicator    | TOP             | Turns ON when the top beam is receiving light.  | Blinks during muting/override, or when cap error or connection error occurs.       |
| Stable-state indicator      | STB             | Turns ON when incidence level is 170% or more of the output ON threshold.             | Blinks when the safety output is turned OFF due to disturbance light or vibration. |
| ON/OFF-state indicator      | ON<br>OFF       | Green: Turns ON when safety output is ON.<br>Red: Turns ON when safety output is OFF. | Red: Blinks when the F3SJ-B enters a lockout due to a safety output error.         |
| Lockout indicator           | LOCKOUT         | Turns ON when the F3SJ-B enters a lockout on the receiver.                            | Blinks when the F3SJ-B enters a lockout on the emitter.                            |
| Power indicator             | POWER           | Turns ON while the power of the emitter is ON.  | Blinks when the F3SJ-B enters a lockout due to power voltage/noise.                |
| Test indicator              | TEST            | ---   | Blinks when external test is being performed.                                      |
| Muting error indicator      | MUTING<br>ERROR | ---   | Blinks during a muting error.  |
| Muting input 1 indicator    | MUTE1           | Turns ON when muting input 1 is ON under the muting system.                           | ---  |
| Muting input 2 indicator    | MUTE2           | Turns ON when muting input 2 is ON under the muting system.                           | ---  |
| Bottom-beam-state indicator | BTM             | Turns ON when the bottom beam is receiving light.                                     | Blinks during muting/override.   |

### Receiver

| Name of indicator                    | Label      | ON  | Blinking   |
|--------------------------------------|------------|---|--|
| Top-beam-state indicator             | TOP        | Turns ON when the top beam is receiving light.  | Blinks during muting/override, or when cap error or connection error occurs.                     |
| Stable-state indicator               | STB        | Turns ON when incidence level is 170% or more of the output ON threshold.             | Blinks when the safety output is turned OFF due to disturbance light or vibration.               |
| ON/OFF-state indicator               | ON<br>OFF  | Green: Turns ON when safety output is ON.<br>Red: Turns ON when safety output is OFF. | Red: Blinks when the F3SJ-B enters a lockout due to a safety output error.                       |
| Lockout indicator                    | LOCKOUT    | Turns ON when the F3SJ-B enters a lockout on the emitter.                             | Blinks when the F3SJ-B enters a lockout on the receiver.   |
| Communication indicator              | COM        | Turns ON when communication between emitter and receiver is established.              | Blinks when the F3SJ-B enters lockout due to a communication error between receiver and emitter. |
| Configuration indicator              | CFG        | ---   | Blinks when the F3SJ-B enters lockout due to a model type error between receiver and emitter.    |
| Internal error indicator             | INTERNAL   | ---   | Blinks when the F3SJ-B enters a lockout due to an internal error.                                |
| Interlock indicator                  | INT<br>-LK | Not used  | Not used   |
| External device monitoring indicator | EDM        | Turns ON when an input is given to external device monitoring input. *                | Blinks when the F3SJ-B enters a lockout due to an external device monitoring error.              |
| Bottom-beam-state indicator          | BTM        | Turns ON when the bottom beam is receiving light.                                     | Blinks during muting/override.   |

\* It turns ON when there is an external device monitoring input regardless of the availability of the external device monitoring.

## Accessories

### Control Unit

| Item                  | Model              | F3SP-B1P  |
|-----------------------|--------------------|---|
| Applicable sensor     |                    | F3SJ-B/A (Only for PNP output type) *                     |
| Power supply voltage  |                    | 24 VDC±10%  |
| Power consumption     |                    | DC1.7 W max. (not including sensor's current consumption) |
| Operation time        |                    | 100 ms max. (not including sensor's response time)        |
| Response time         |                    | 100 ms max. (not including sensor's response time)        |
| Relay output          | Number of contacts | 3NO+1NC   |
|                       | Rated load         | 250 VAC 5 A (cos φ = 1), 30 VDC 5 A L/R = 0 ms            |
|                       | Rated current      | 5 A   |
| Connection type       | Between sensors    | M12 connector (8-pin)                                     |
|                       | Others             | Terminal block  |
| Weight (packed state) |                    | Approx. 280 g   |
| Accessories           |                    | Instruction manual  |

\* NPN output type cannot be connected. Also, the system cannot be used as a muting system.

### Laser Pointer

| Item                          | Model | F39-PTJ   |
|-------------------------------|-------|---|
| Applicable sensor             |       | F3SJ Series *1  |
| Power supply voltage          |       | 4.65 or 4.5 VDC   |
| Battery                       |       | Three button batteries (SR44 or LR44)   |
| Battery life *2               |       | SR44: 10 hours of continuous operation, LR44: 6 hours of continuous operation                     |
| Light source                  |       | Red semiconductor laser (wavelength: 650 nm, 1 mW max. JIS class 2, EN/IEC class 2, FDA class II) |
| Spot diameter (typical value) |       | 6.5 mm at 10 m  |
| Ambient temperature           |       | Operating: 0 to 40°C Storage: -15 to 60°C (with no icing or condensation)                         |
| Ambient humidity              |       | Operating and storage: 35% to 85% (with no condensation)  |
| Material                      |       | Laser module case: aluminum Mounting bracket: aluminum and stainless                              |
| Weight                        |       | Approx. 220 g (packed)  |
| Accessories                   |       | Laser safety standard labels (EN: 1, FDA: 3) Button batteries (SR44: 3), instruction manual       |

\*1. It cannot be mounted to the models with the suffix "-02TS".

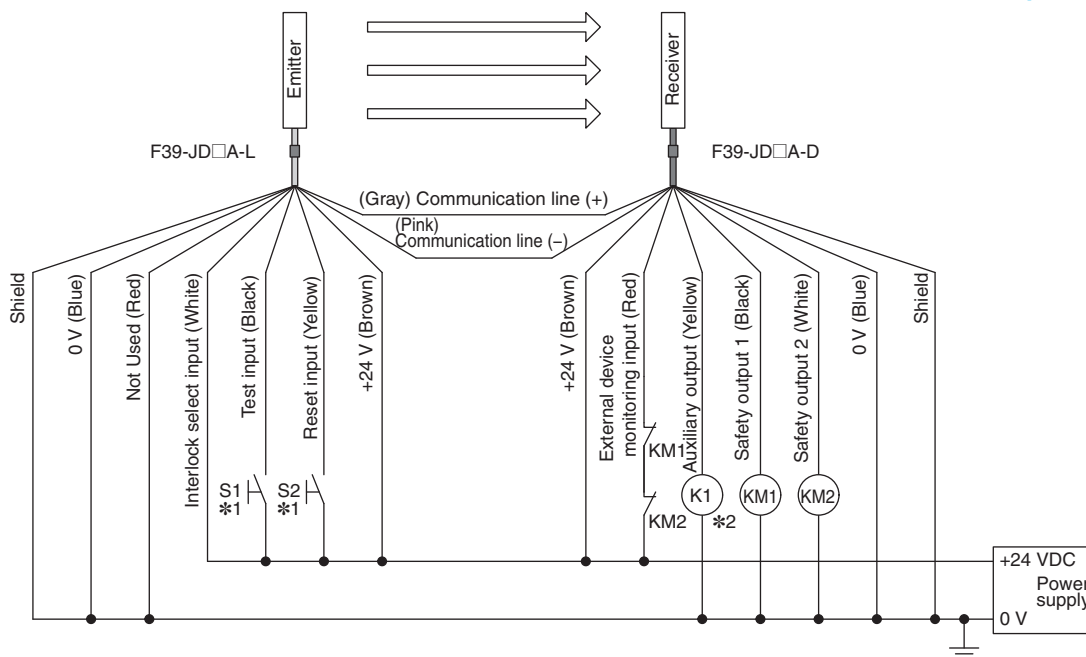
\*2. Battery life varies depending on a battery used.



# Connections

## Basic Wiring Diagram

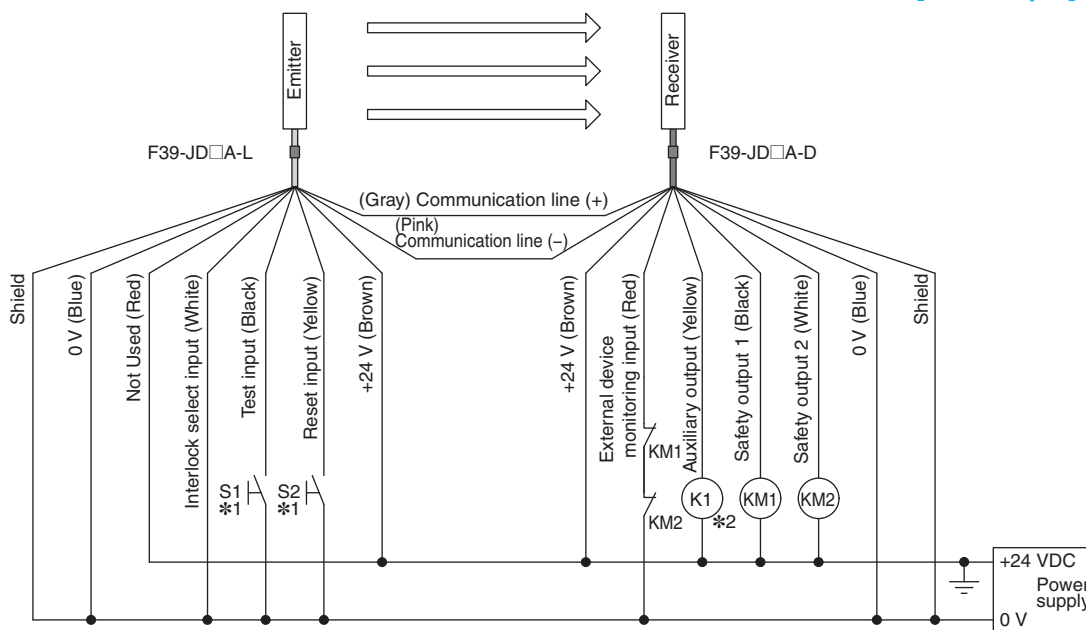
Wiring when using manual reset mode, external device monitoring (F3SJ-B□□□□P25) [PNP Output]



- S1 : External test switch (connect to 0 V if a switch is not required)
- S2 : Interlock/lockout reset switch
- KM1, KM2 : Safety relay with force-guided contact (G7SA) or magnetic contactor
- K1 : Load or PLC, etc. (for monitoring)

\*1. Use a switch for small loads (input specifications: 24 V, 3mA).  
 \*2. F3SJ operates even when K1 is not connected.

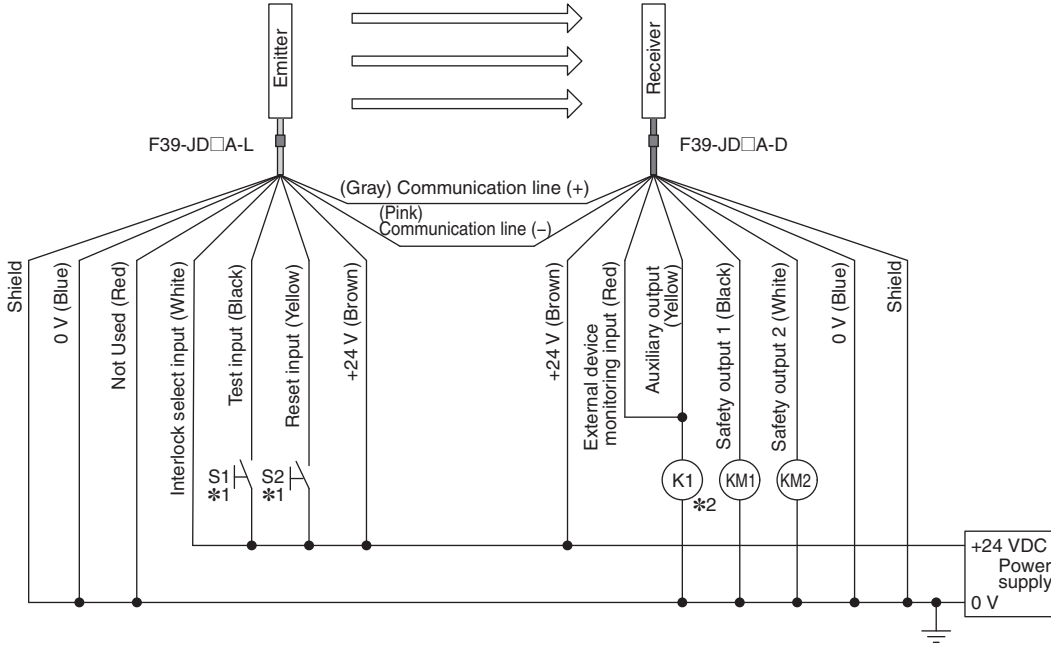
Wiring when using manual reset mode, external device monitoring (F3SJ-B□□□□N25) [NPN Output]



- S1 : External test switch (connect to 24 V if a switch is not required)
- S2 : Interlock/lockout reset switch
- KM1, KM2 : Safety relay with force-guided contact (G7SA) or magnetic contactor
- K1 : Load or PLC, etc. (for monitoring)

\*1. Use a switch for small loads (input specifications: 24 V, 3mA).  
 \*2. F3SJ operates even when K1 is not connected.

## Wiring for manual reset mode and deactivated external device monitoring function (F3SJ-B□□□□P25)[PNP Output]

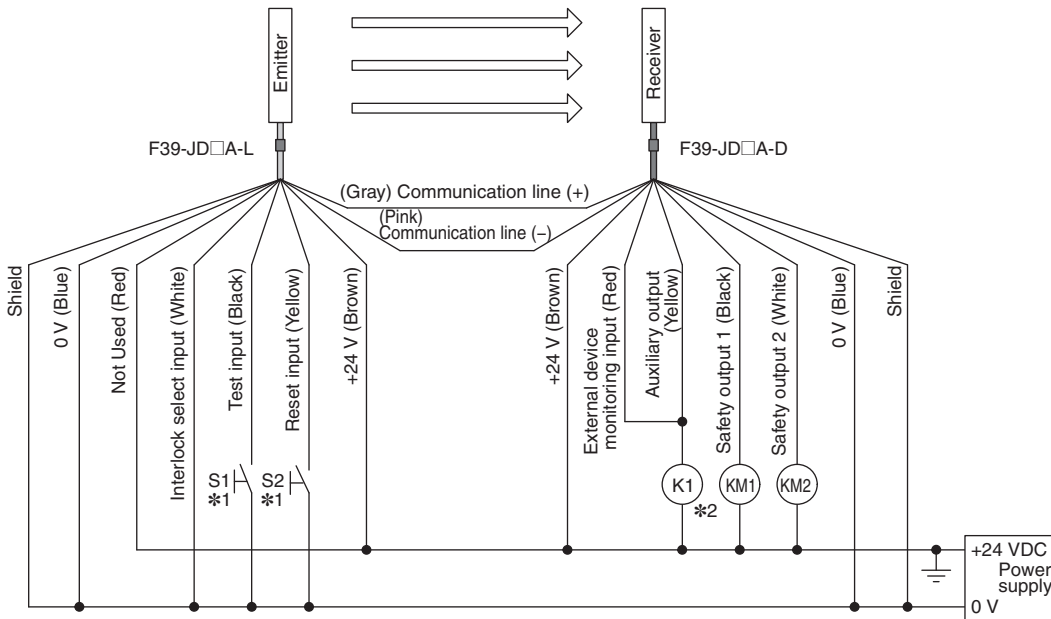


- S1 : External test switch (connect to 0 V if a switch is not required)
- S2 : Interlock/lockout reset switch
- KM1, KM2 : Safety relay with force-guided contact (G7SA) or magnetic contactor
- K1 : Load or PLC, etc. (for monitoring)

\*1. Use a switch for small loads (input specifications: 24 V, 3mA).

\*2. F3SJ operates even when K1 is not connected.

## Wiring for manual reset mode and deactivated external device monitoring function (F3SJ-B□□□□N25)[NPN Output]

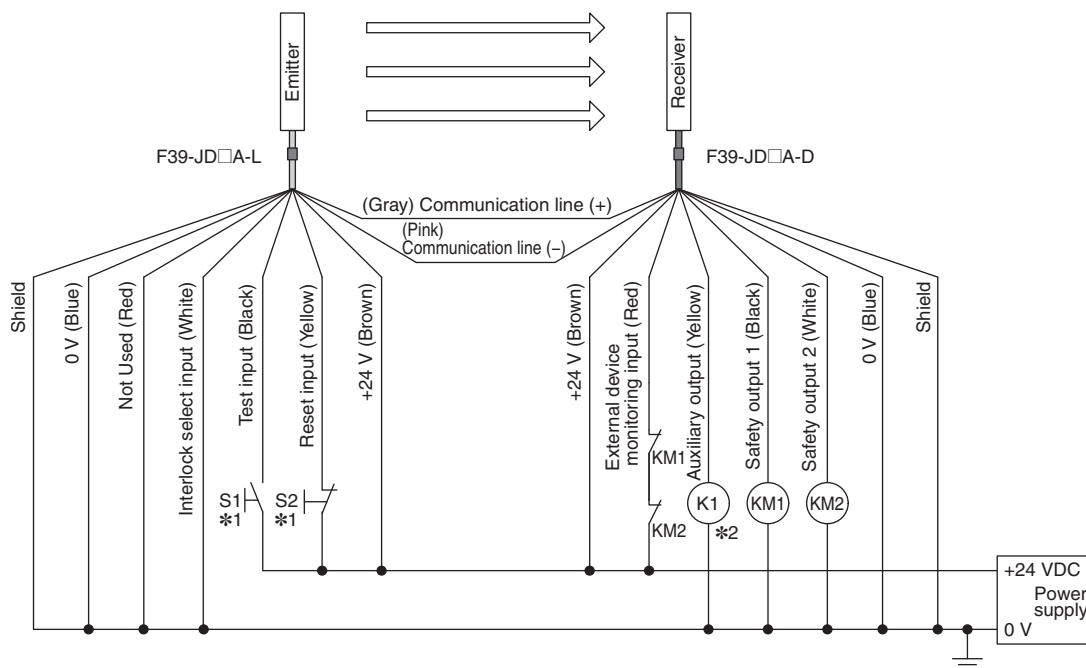


- S1 : External test switch (connect to 24 V if a switch is not required)
- S2 : Interlock/lockout reset switch
- KM1, KM2 : Safety relay with force-guided contact (G7SA) or magnetic contactor
- K1 : Load or PLC, etc. (for monitoring)

\*1. Use a switch for small loads (input specifications: 24 V, 3mA).

\*2. F3SJ operates even when K1 is not connected.

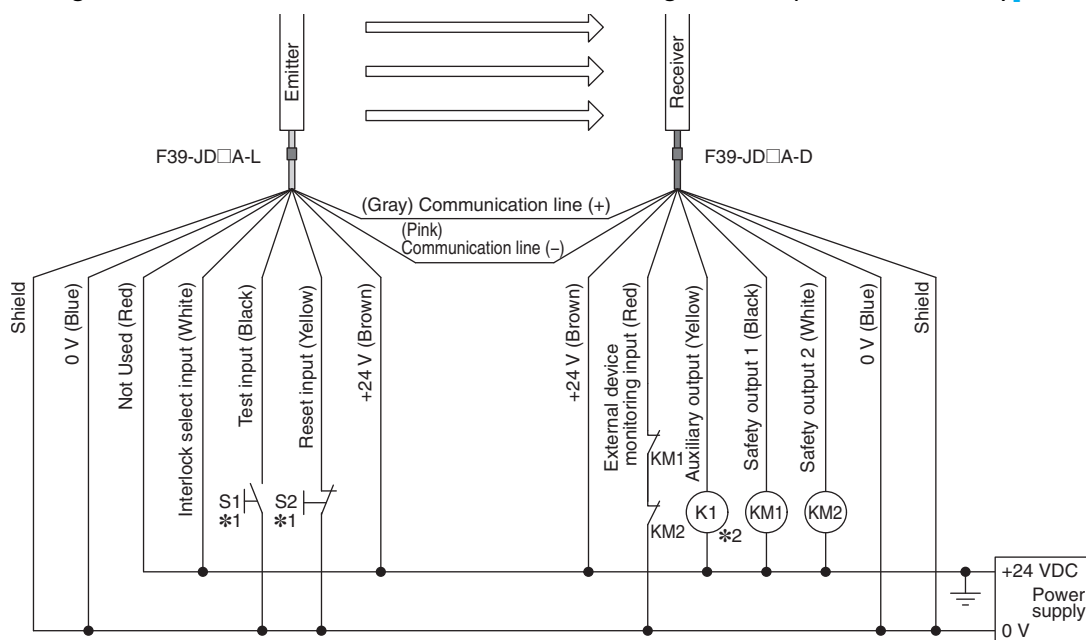
Wiring for auto reset mode and external device monitoring function (F3SJ-B□□□□P25) [PNP Output]



- S1 : External test switch (connect to 0 V if a switch is not required)
- S2 : Lockout reset switch (connect to 24 V if a switch is not required)
- KM1, KM2 : Safety relay with force-guided contact (G7SA) or magnetic contactor
- K1 : Load or PLC, etc. (for monitoring)

- \*1. Use a switch for small loads (input specifications: 24 V, 3mA).
- \*2. F3SJ operates even when K1 is not connected.

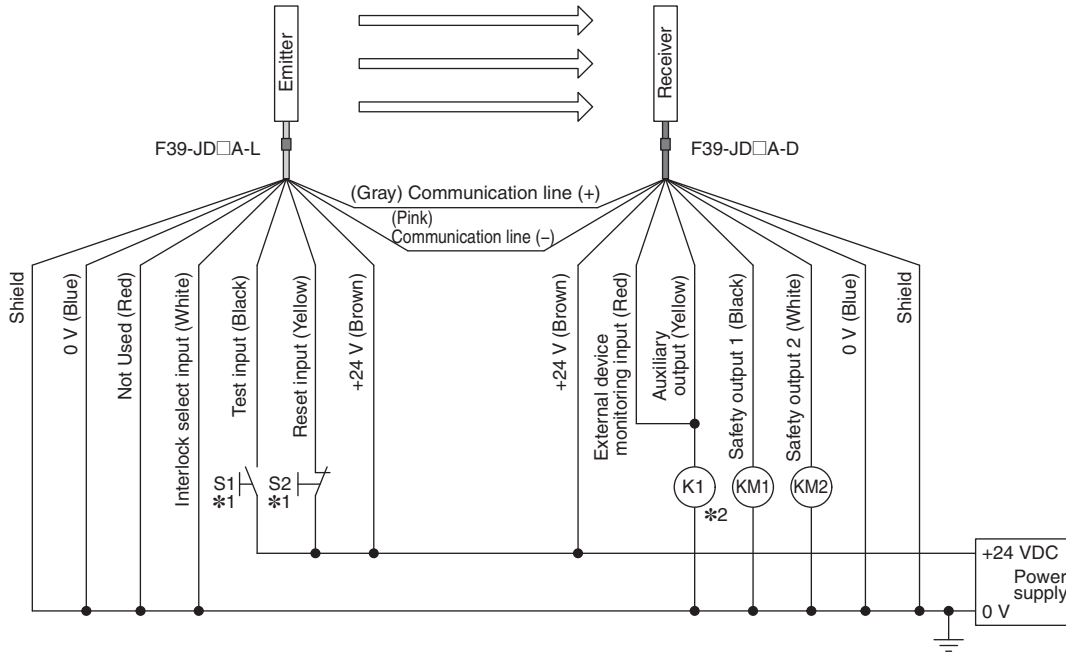
Wiring for auto reset mode and external device monitoring function (F3SJ-B□□□□N25) [NPN Output]



- S1 : External test switch (connect to 24 V if a switch is not required)
- S2 : Lockout reset switch (connect to 0 V if a switch is not required)
- KM1, KM2 : Safety relay with force-guided contact (G7SA) or magnetic contactor
- K1 : Load or PLC, etc. (for monitoring)

- \*1. Use a switch for small loads (input specifications: 24 V, 3mA).
- \*2. F3SJ operates even when K1 is not connected.

## Wiring for auto reset mode and deactivated external device monitoring (F3SJ-B□□□□P25)[PNP Output]

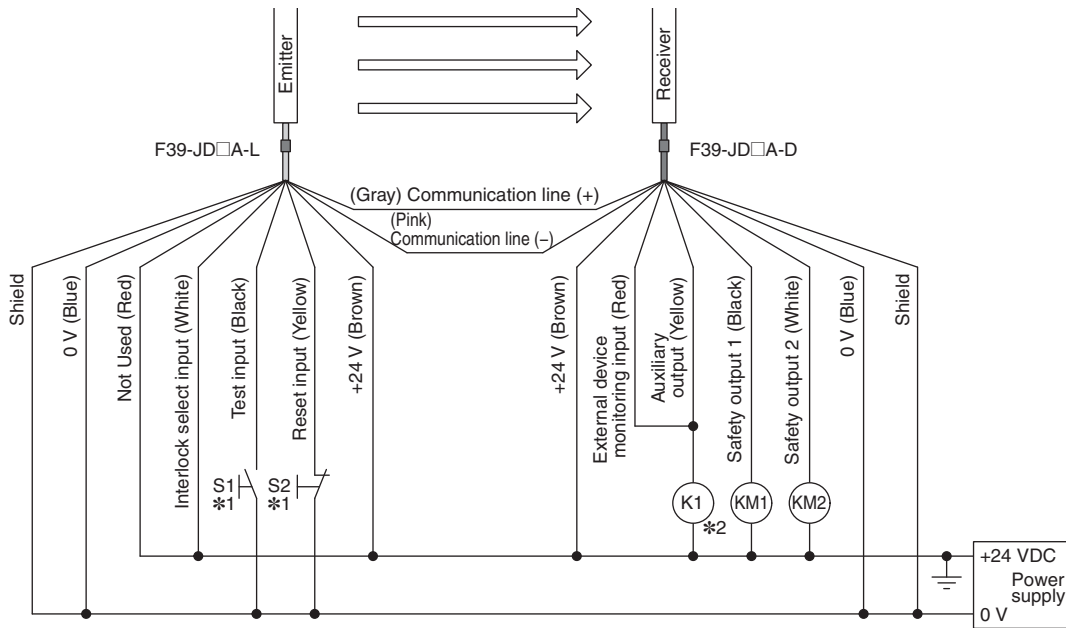


- S1 : External test switch (connect to 0 V if a switch is not required)
- S2 : Lockout reset switch (connect to 24 V if a switch is not required)
- KM1, KM2 : Safety relay with force-guided contact (G7SA) or magnetic contactor
- K1 : Load or PLC, etc. (for monitoring)

\*1. Use a switch for small loads (input specifications: 24 V, 3mA).

\*2. F3SJ operates even when K1 is not connected.

## Wiring for auto reset mode and deactivated external device monitoring (F3SJ-B□□□□N25)[NPN Output]



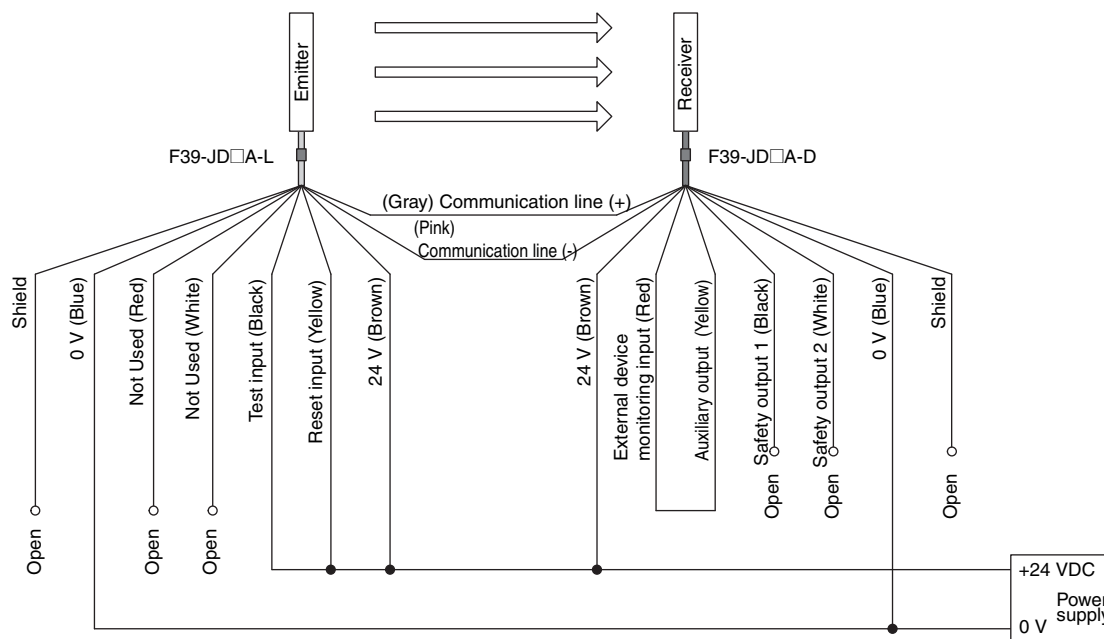
- S1 : External test switch (connect to 24 V if a switch is not required)
- S2 : Lockout reset switch (connect to 0 V if a switch is not required)
- KM1, KM2 : Safety relay with force-guided contact (G7SA) or magnetic contactor
- K1 : Load or PLC, etc. (for monitoring)

\*1. Use a switch for small loads (input specifications: 24 V, 3mA).

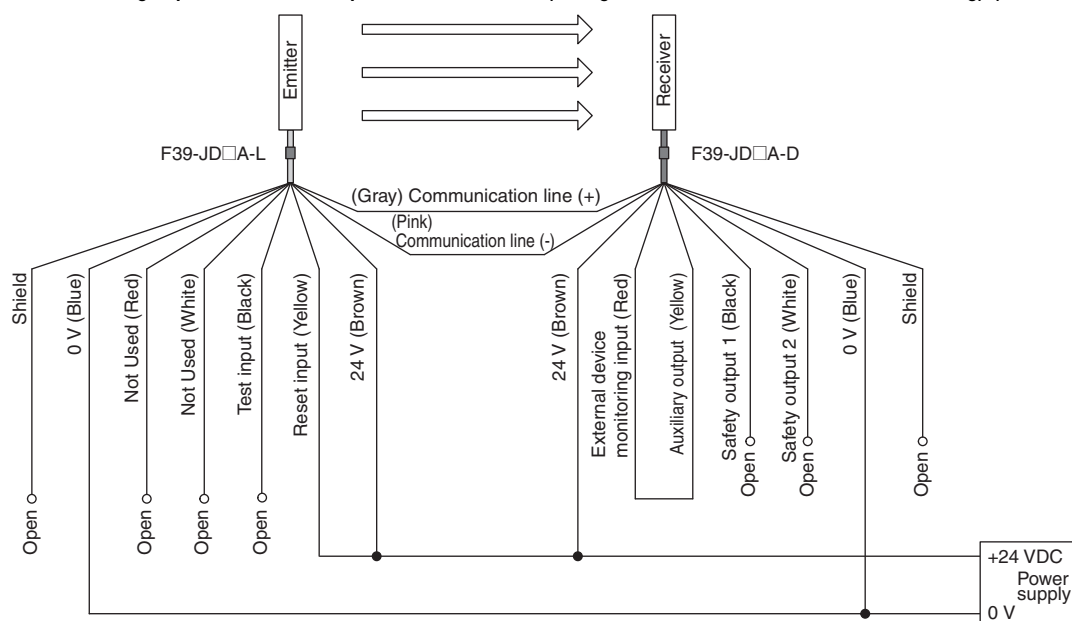
\*2. F3SJ operates even when K1 is not connected.



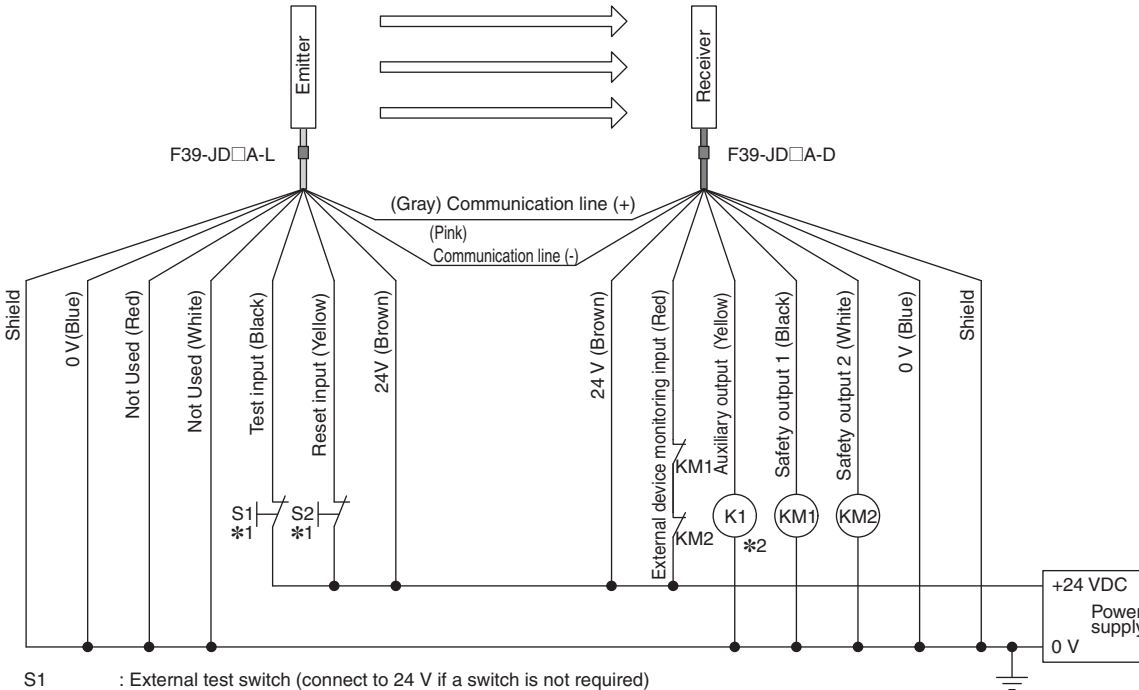
Minimum wiring required to check the operation of the F3SJ-B (Wiring for deactivated external device monitoring) (F3SJ-B□□□□P25-01TS) [PNP Output]



Minimum wiring required to check the operation of the F3SJ-B (Wiring for deactivated external device monitoring) (F3SJ-B□□□□P25-02TS) [PNP Output]



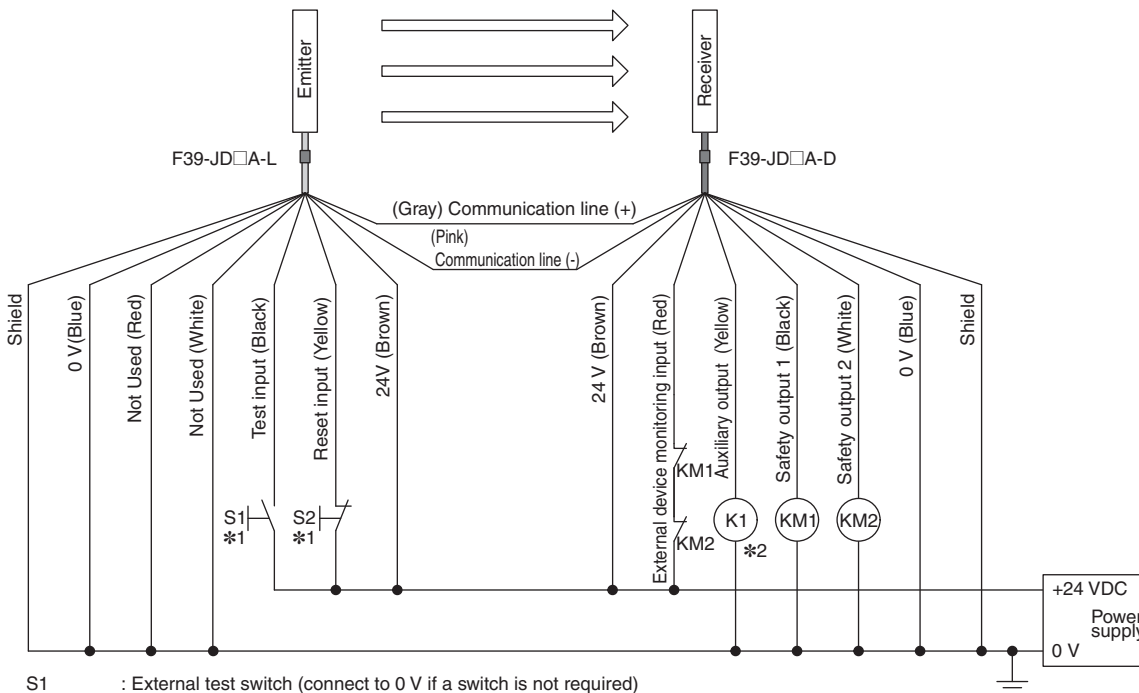
## Wiring for external device monitoring function (F3SJ-B□□□□P25-01TS)[PNP Output]



- S1 : External test switch (connect to 24 V if a switch is not required)
- S2 : Lockout reset switch (connect to 24 V if a switch is not required)
- KM1, KM2 : Safety relay with force-guided contact (G7SA) or magnetic contactor
- K1 : Load or PLC, etc. (for monitoring)

- \*1. Use a switch for small loads (input specifications: 24 V, 3mA).
- \*2. F3SJ operates even when K1 is not connected.

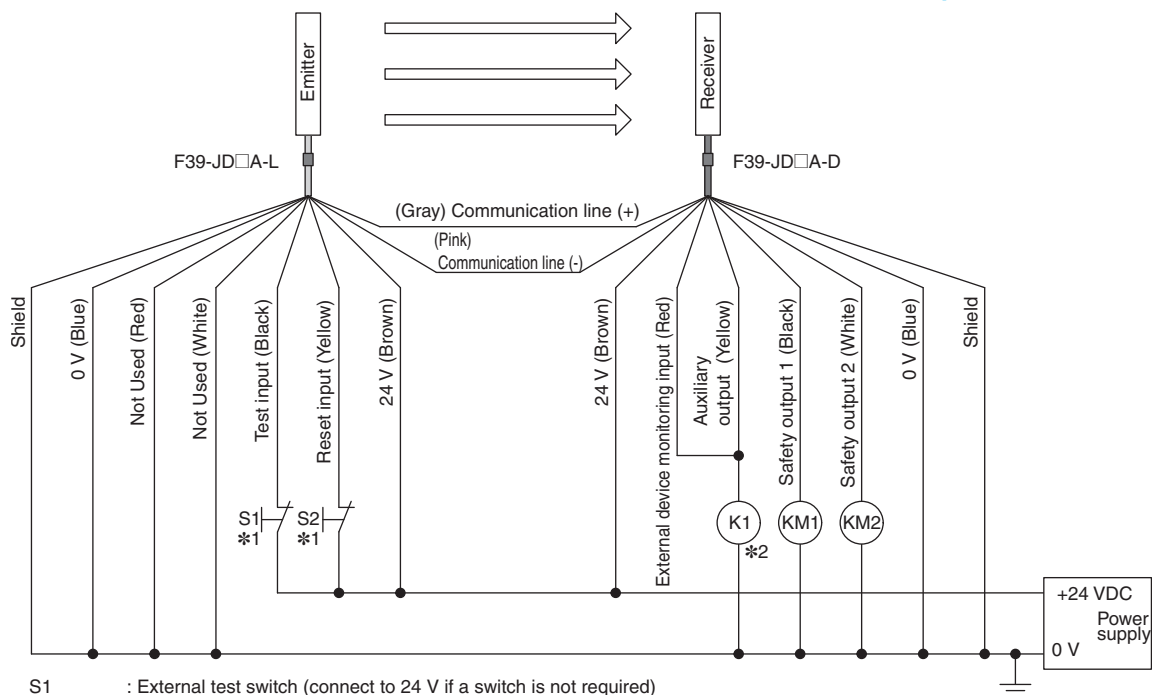
## Wiring for external device monitoring function (F3SJ-B□□□□P25-02TS)[PNP Output]



- S1 : External test switch (connect to 0 V if a switch is not required)
- S2 : Lockout reset switch (connect to 24 V if a switch is not required)
- KM1, KM2 : Safety relay with force-guided contact (G7SA) or magnetic contactor
- K1 : Load or PLC, etc. (for monitoring)

- \*1. Use a switch for small loads (input specifications: 24 V, 3mA).
- \*2. F3SJ operates even when K1 is not connected.

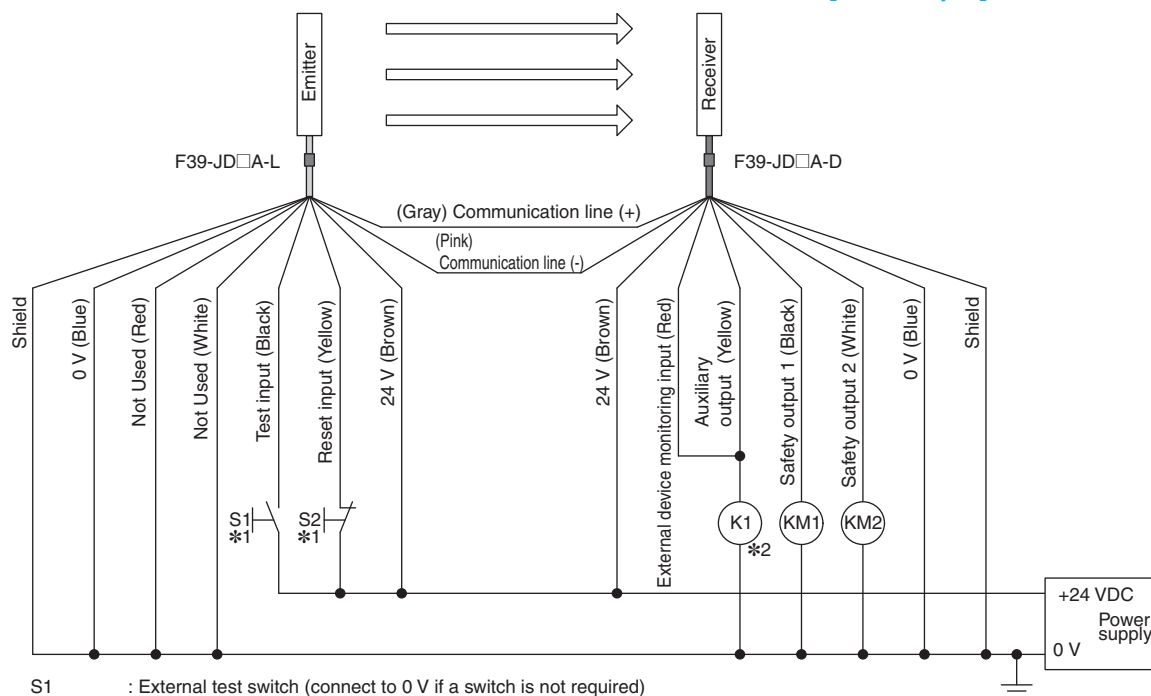
Wiring for deactivated external device monitoring function (F3SJ-B□□□□P25-01TS)[PNP Output]



- S1 : External test switch (connect to 24 V if a switch is not required)
- S2 : Lockout reset switch (connect to 24 V if a switch is not required)
- KM1, KM2 : Safety relay with force-guided contact (G7SA) or magnetic contactor
- K1 : Load or PLC, etc. (for monitoring)

\*1. Use a switch for small loads (input specifications: 24 V, 3mA).  
 \*2. F3SJ operates even when K1 is not connected.

Wiring for deactivated external device monitoring function (F3SJ-B□□□□P25-02TS)[PNP Output]

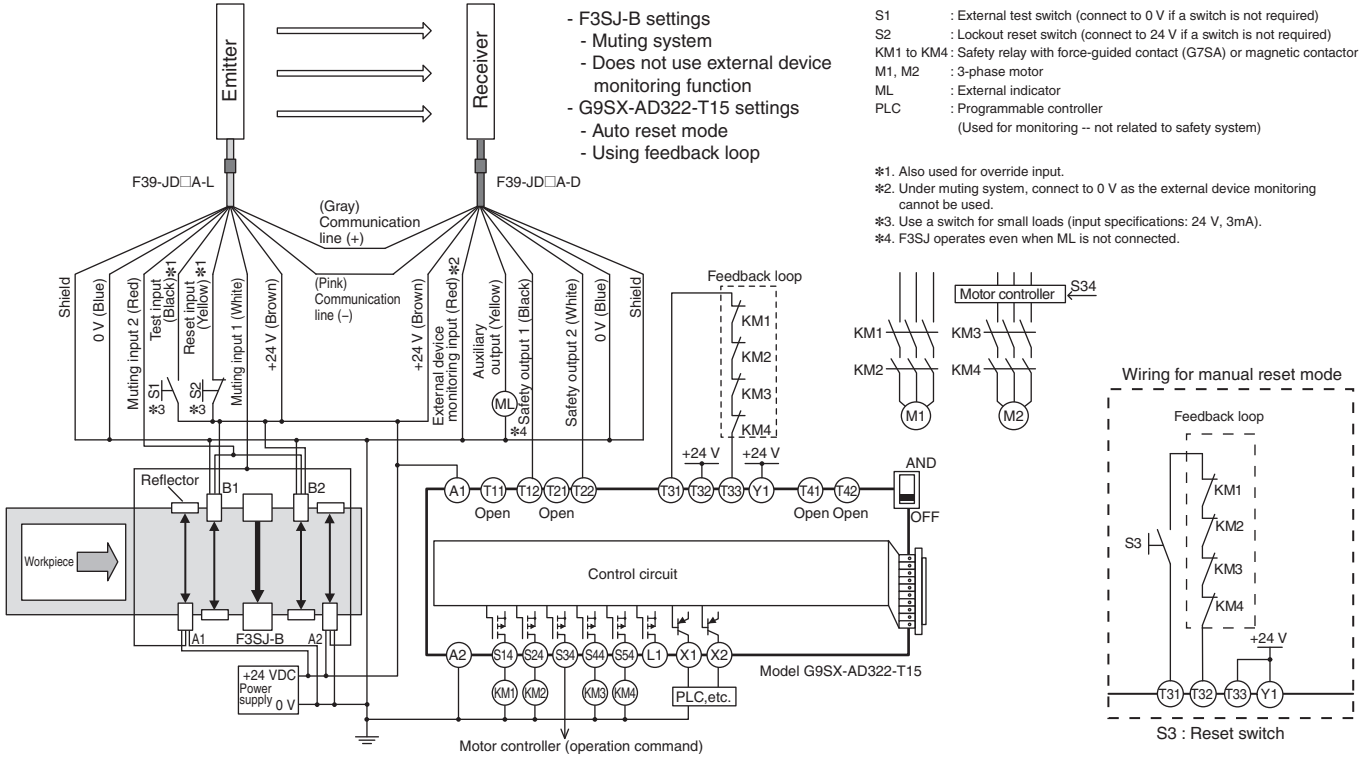


- S1 : External test switch (connect to 0 V if a switch is not required)
- S2 : Lockout reset switch (connect to 24 V if a switch is not required)
- KM1, KM2 : Safety relay with force-guided contact (G7SA) or magnetic contactor
- K1 : Load or PLC, etc. (for monitoring)

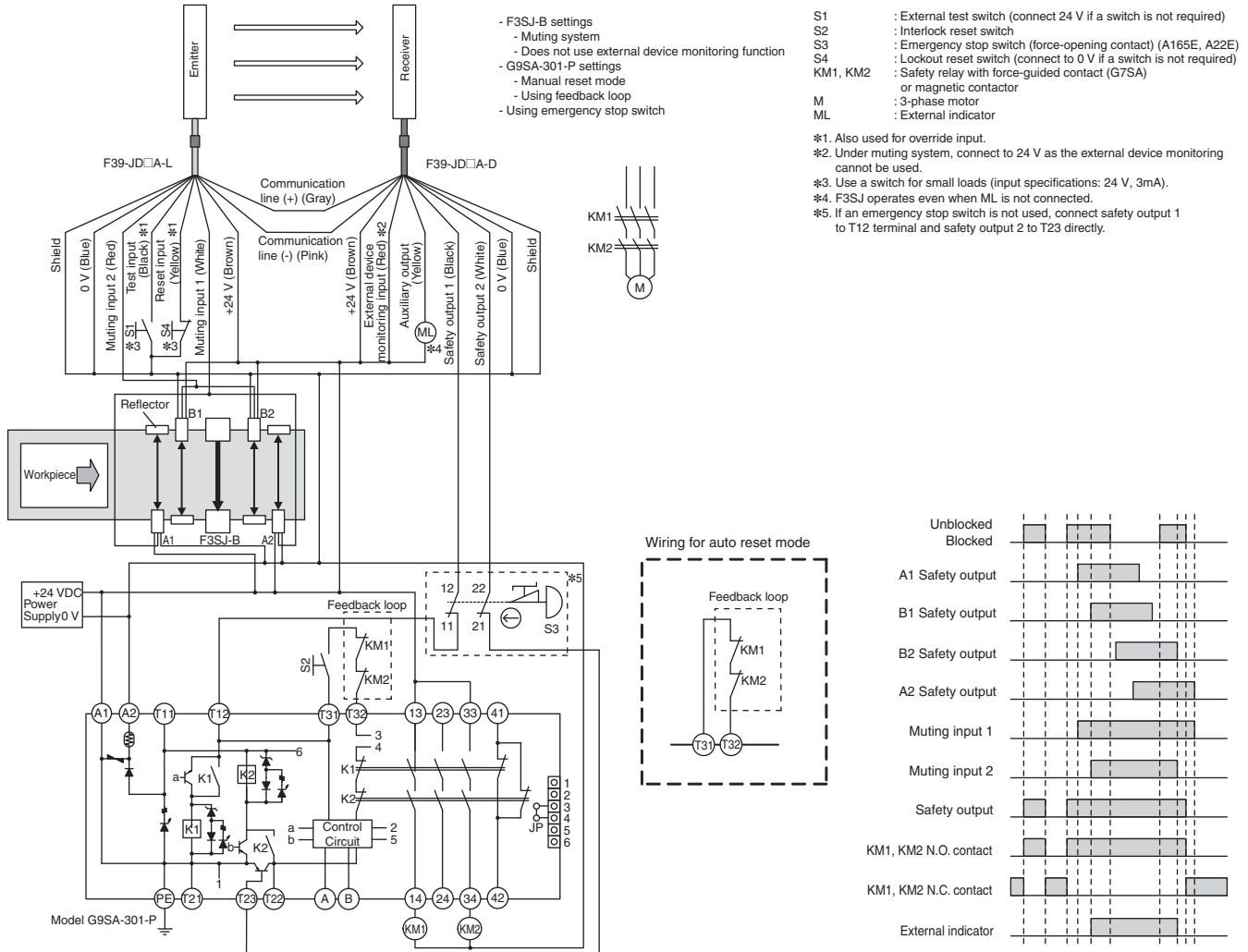
\*1. Use a switch for small loads (input specifications: 24 V, 3mA).  
 \*2. F3SJ operates even when K1 is not connected.

# Basic Wiring Diagram for Muting System

## Wiring for muting function (F3SJ-B□□□□P25)[PNP Output]

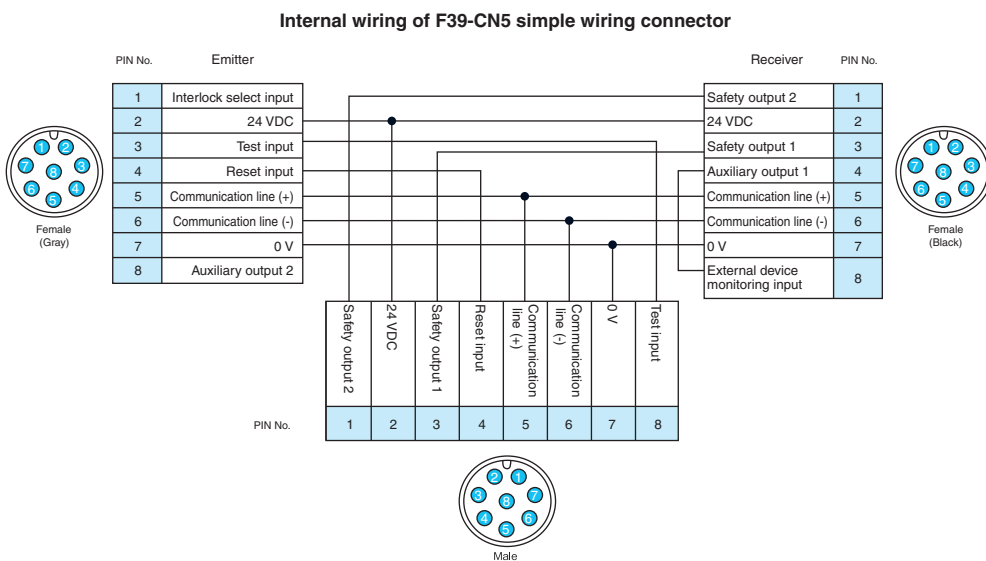


## Wiring for muting function (F3SJ-B□□□□N25)[NPN Output]

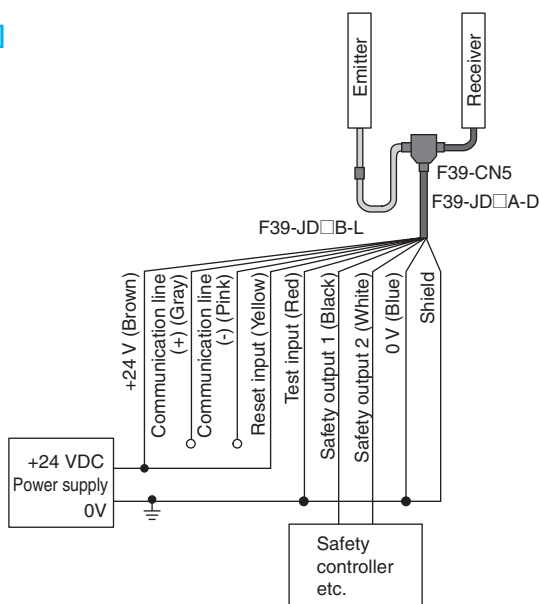




## Wiring Diagram When Using Simple Wiring System



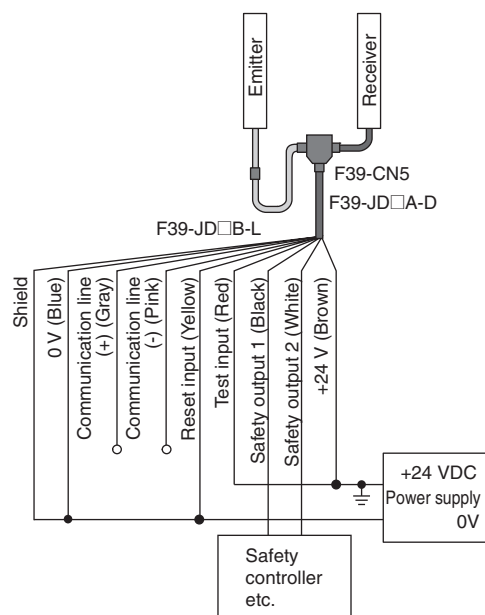
### [PNP Output]



Controllers connectable with PNP output F3SJ series

| Safety controller         | Model       |
|---------------------------|-------------|
| Safety Network Controller | NE1A series |
| Safety Controller         | G9SP series |
| Flexible Safety Unit      | G9SX series |
| Safety Relay Unit         | G9SA series |

### [NPN Output]



Controller connectable with NPN output F3SJ series

| Safety controller | Model      |
|-------------------|------------|
| Safety Relay Unit | G9SA-301-P |

# F3SJ-B

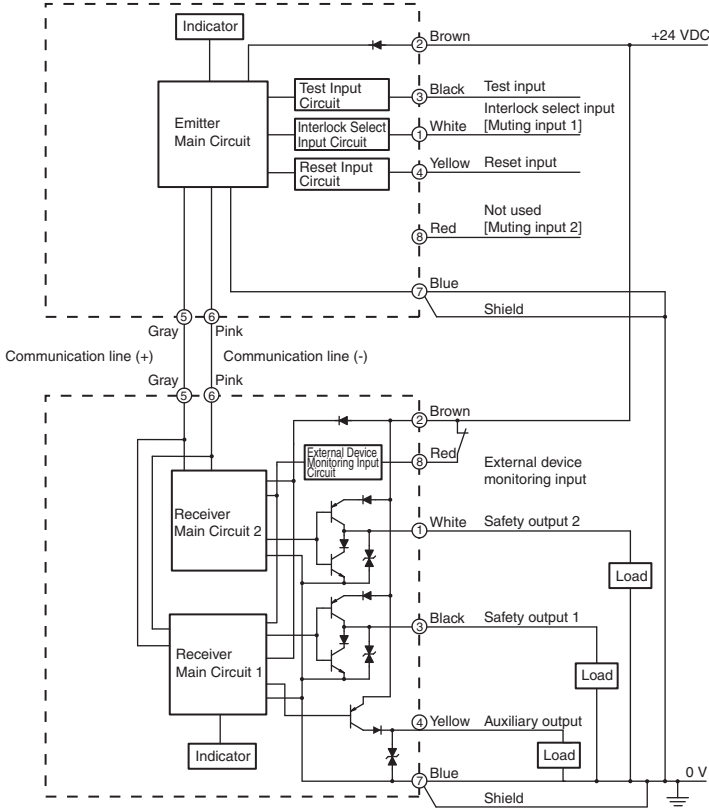
## Input/Output Circuit Diagram

### F3SJ-B□□□□P25 [PNP Output]

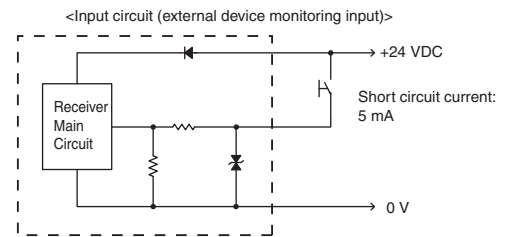
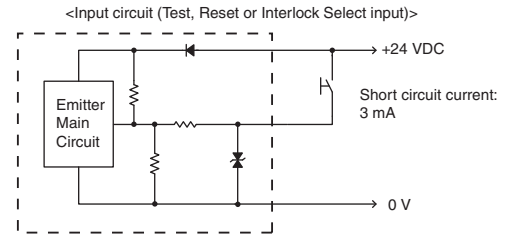
#### Entire Circuit Diagram

The numbers in circles indicate the connectors' pin numbers.

The words in brackets ( [ ] ) indicate the signal name for muting system.



#### Input circuit diagram by function

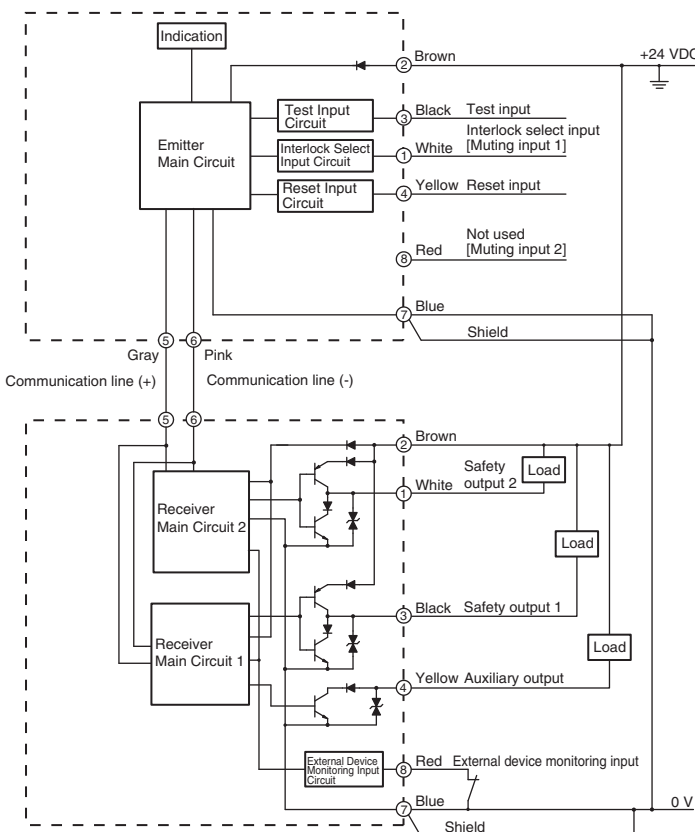


### F3SJ-B□□□□N25 [NPN Output]

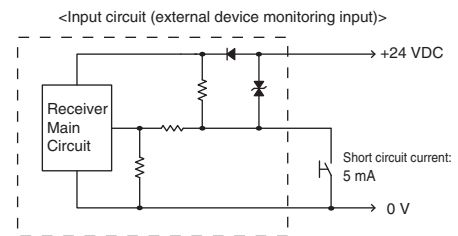
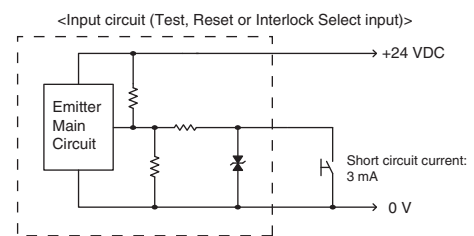
#### Entire Circuit Diagram

The numbers in circles indicate the connectors' pin numbers.

The words in brackets ( [ ] ) indicate the signal name for muting system.



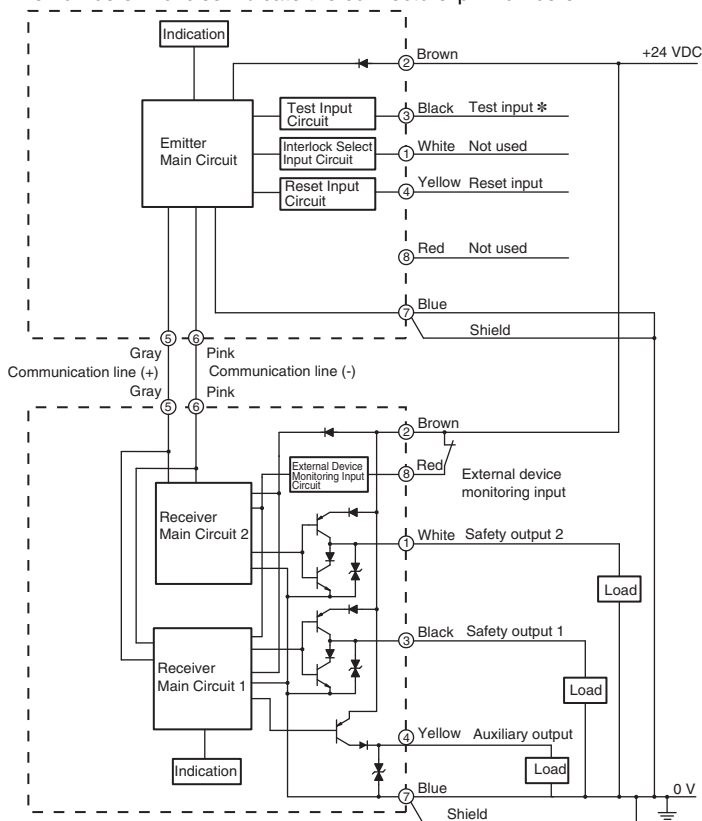
#### Input circuit diagram by function



**F3SJ-B□□□□P25-01TS [PNP Output]**

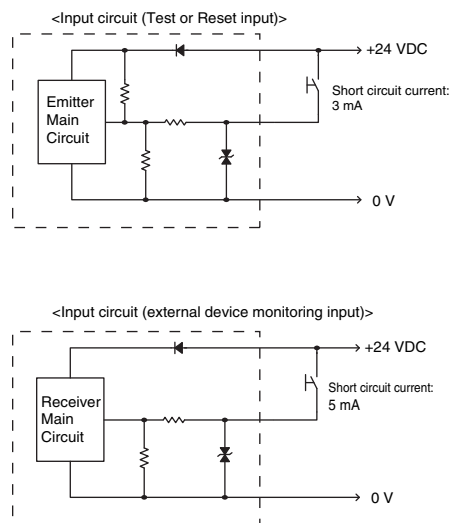
**Entire Circuit Diagram**

The numbers in circles indicate the connectors' pin numbers.



\* The light emission stops when opening the test input line or applying voltage of 0 V to 1/2 Vs to the test input line.

**Input circuit diagram by function**

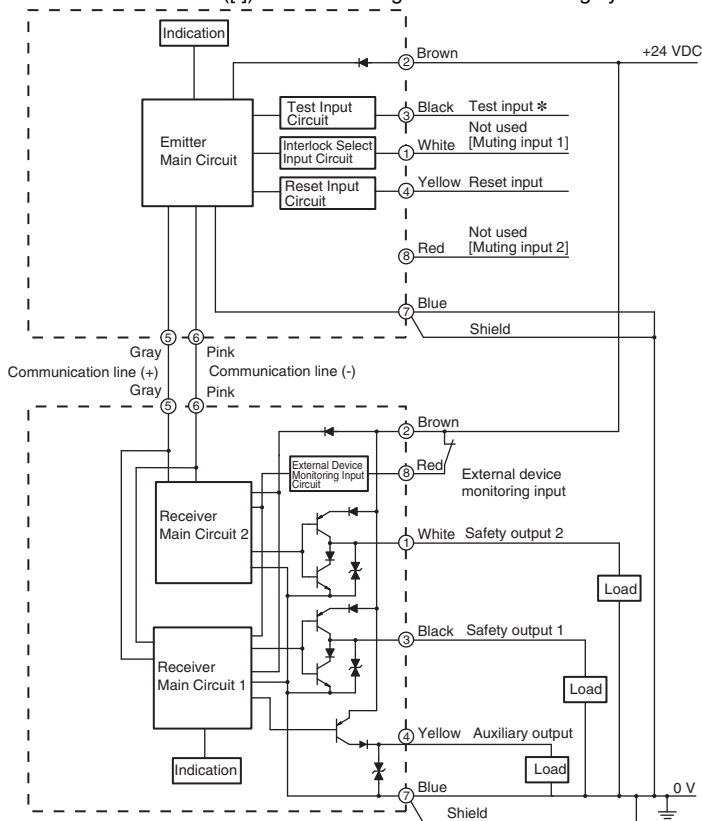


**F3SJ-B□□□□P25-02TS [PNP Output]**

**Entire Circuit Diagram**

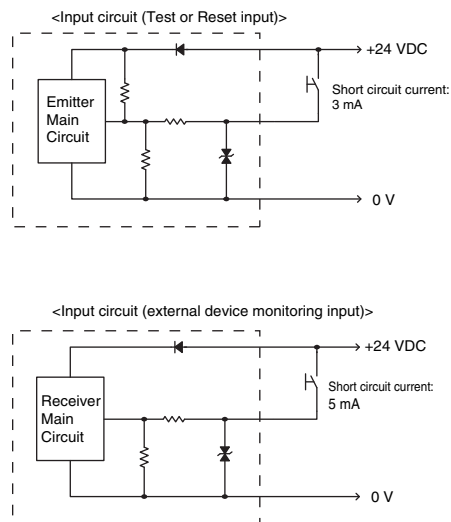
The numbers in circles indicate the connectors' pin numbers.

The words in brackets ( [ ] ) indicate the signal name for muting system.



\* The light emission stops when applying voltage of Vs-3 V to Vs to the test input line.

**Input circuit diagram by function**



# F3SJ-B

## Connection Circuit Examples

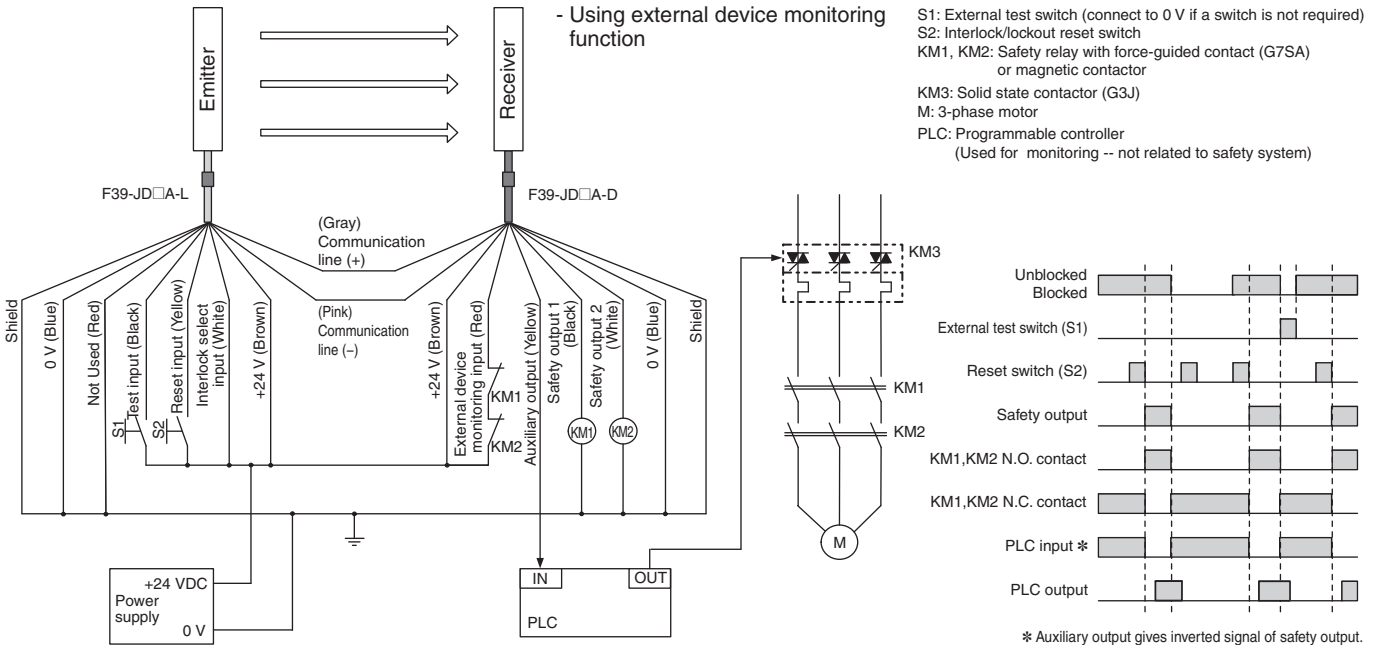
### Wiring for single F3SJ-B application (F3SJ-B□□□□P25) [PNP Output]

| PL/safety category | Model   | Stop category | Reset  |
|--------------------|---|---------------|--------|
| PLe/4 equivalent   | Safety Light Curtain F3SJ-B□□□□P25<br>Safety Relay G7SA | 0             | Manual |

**Note:** The above PL is only the evaluation result of the example. The PL must be evaluated in an actual application by the customer after confirming the usage conditions.

#### ● Application Overview

- The power supply to the motor M is turned OFF when the beam is blocked.
- The power supply to the motor M is kept OFF until the beams are unblocked and the reset switch S2 is pressed.



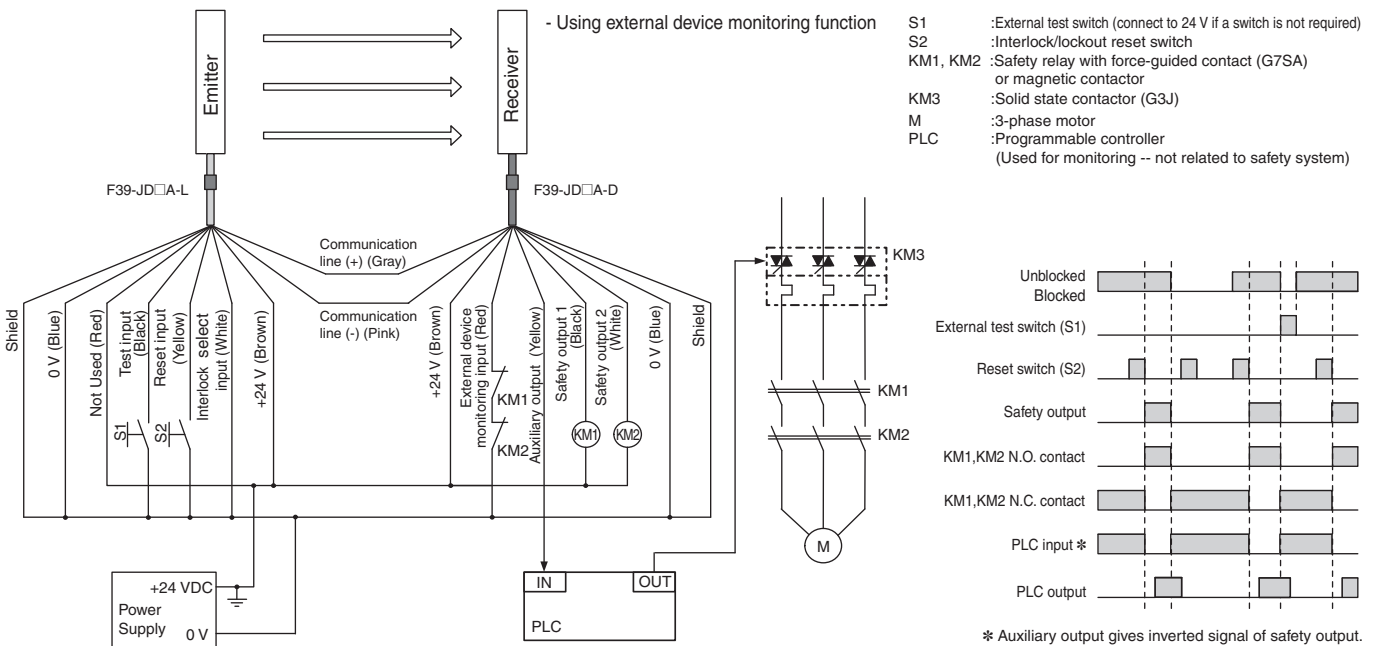
### Wiring for single F3SJ-B application (F3SJ-B□□□□N25) [NPN Output]

| PL/safety category | Model   | Stop category | Reset  |
|--------------------|---|---------------|--------|
| PLe/4 equivalent   | Safety Light Curtain F3SJ-B□□□□N25<br>Safety Relay G7SA | 0             | Manual |

**Note:** The above PL is only the evaluation result of the example. The PL must be evaluated in an actual application by the customer after confirming the usage conditions.

#### ● Application Overview

- The power supply to the motor M is turned OFF when the beam is blocked.
- The power supply to the motor M is kept OFF until the beams are unblocked and the reset switch S2 is pressed.





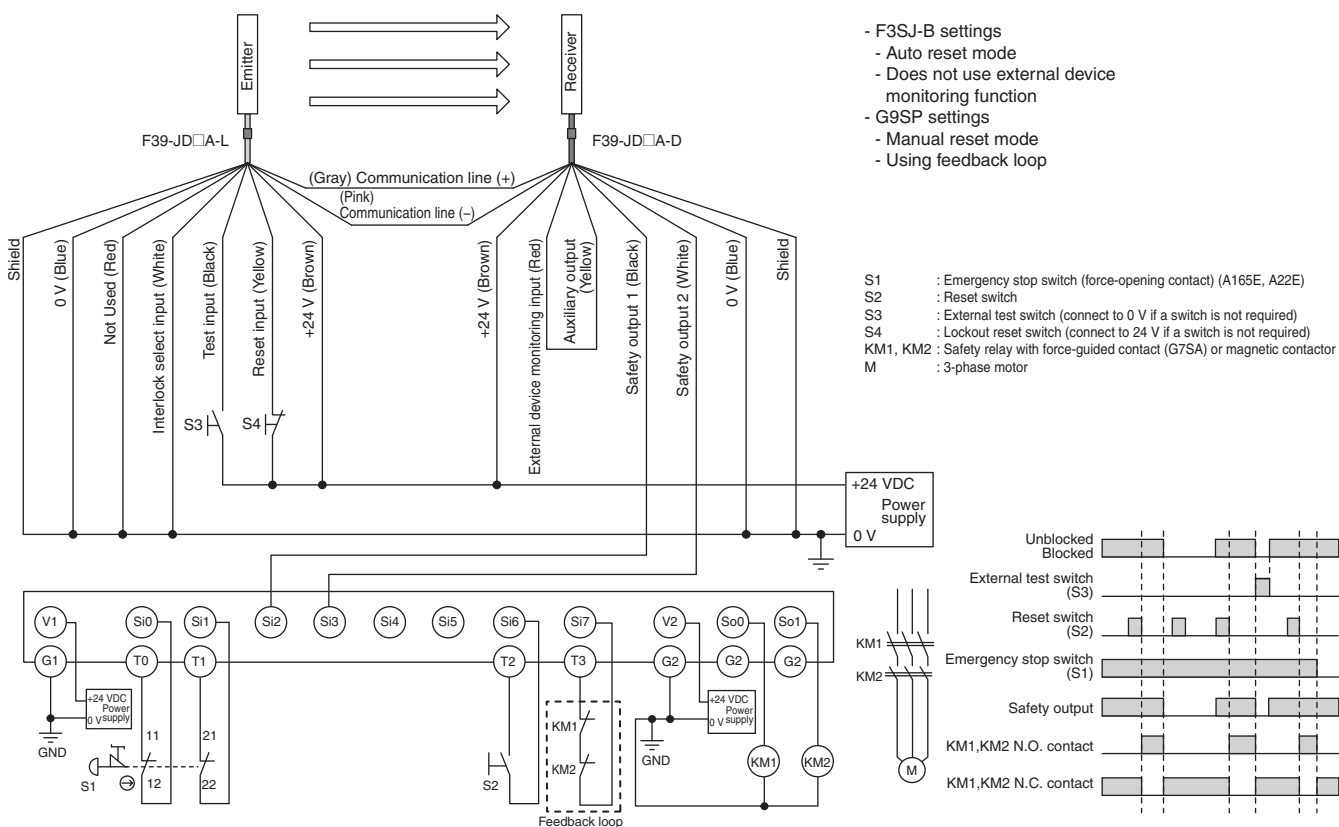
Wiring to connect a F3SJ-B with a controller G9SP (F3SJ-B□□□□P25) [PNP Output]

| PL/safety category | Model   | Stop category | Reset  |
|--------------------|---|---------------|--------|
| PLe/4 equivalent   | Safety Light Curtain F3SJ-B□□□□P25<br>Safety Controller G9SP<br>Safety Relay G7SA<br>Emergency Stop Switch A165E/A22E | 0             | Manual |

**Note:** The above PL is only the evaluation result of the example. The PL must be evaluated in an actual application by the customer after confirming the usage conditions.

● Application Overview

- The power supply to the motor M is turned OFF when the beam is blocked.
- The power supply to the motor M is turned OFF when the emergency stop switch is pressed.
- The power supply to the motor M is kept OFF until the beams are unblocked and the reset switch S2 is pressed while the emergency stop switch is released.



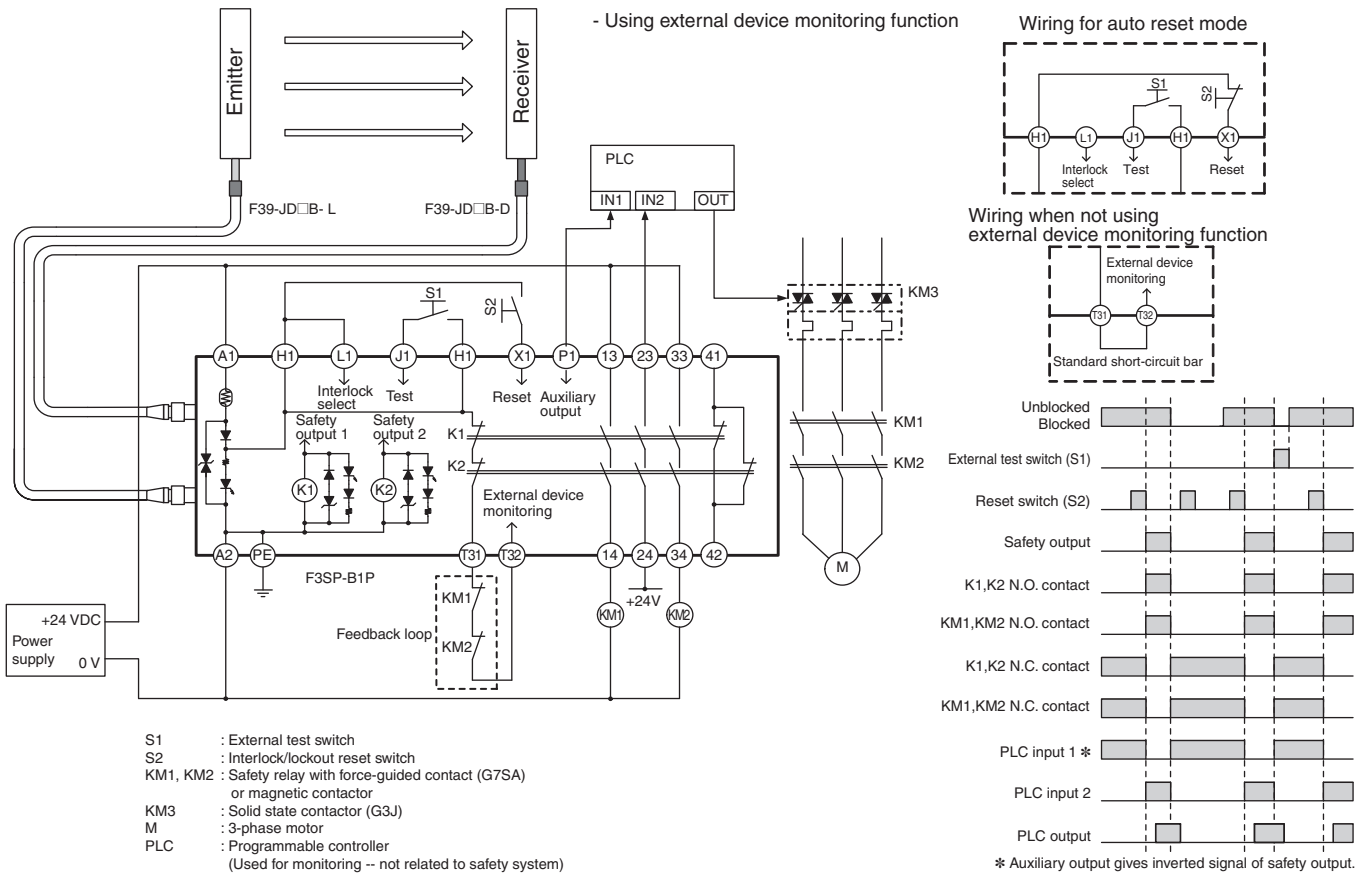
## Wiring to connect a F3SJ-B with a controller F3SP-B1P (F3SJ-B□□□□P25)[PNP Output]

| PL/safety category | Model  | Stop category | Reset  |
|--------------------|--|---------------|--------|
| PLe/4 equivalent   | Safety Light Curtain F3SJ-B□□□□P25<br>Control Unit F3SP-B1P<br>Safety Relay G7SA | 0             | Manual |

**Note:** The above PL is only the evaluation result of the example. The PL must be evaluated in an actual application by the customer after confirming the usage conditions.

### ● Application Overview

- The power supply to the motor M is turned OFF when the beam is blocked.
- The power supply to the motor M is kept OFF until the beams are unblocked and the reset switch S2 is pressed.



**Note:** It cannot be used as a muting system when F3SP-B1P is used.

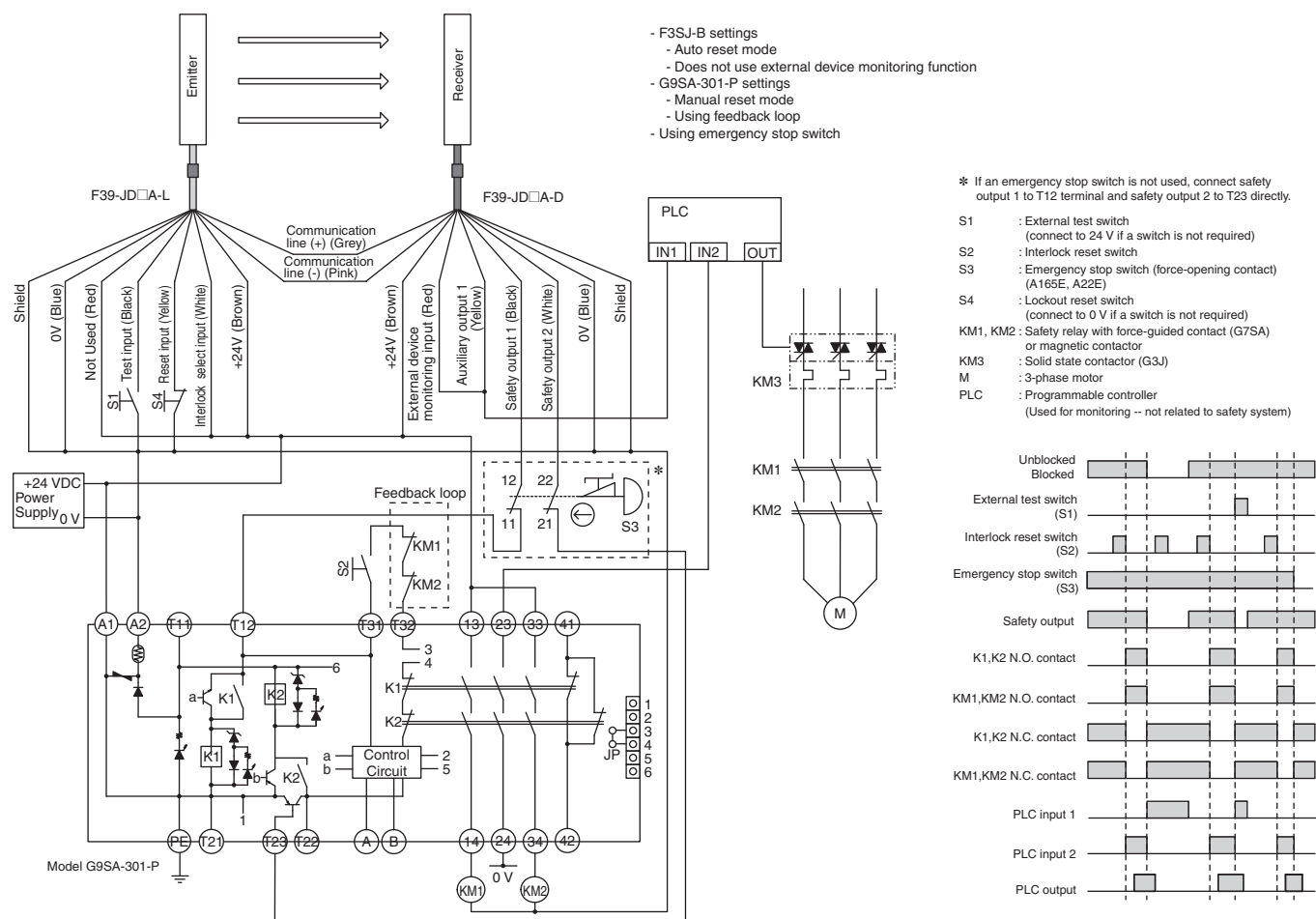
Wiring to connect a F3SJ-B with a controller G9SA-301-P (F3SJ-B□□□□N25) [NPN Output]

| PL/safety category | Model  | Stop category | Reset  |
|--------------------|--|---------------|--------|
| PLe/4 equivalent   | Safety Light Curtain F3SJ-B□□□□N25<br>Safety Relay Unit G9SA-301-P 24V DC<br>Safety Relay G7SA<br>Emergency Stop Switch A165E/A22E | 0             | Manual |

**Note:** The above PL is only the evaluation result of the example. The PL must be evaluated in an actual application by the customer after confirming the usage conditions.

● Application Overview

- The power supply to the motor M is turned OFF when the beam is blocked.
- The power supply to the motor M is turned OFF when the emergency stop switch is pressed.
- The power supply to the motor M is kept OFF until the beams are unblocked and the reset switch S2 is pressed while the emergency stop switch is released.



- Note:**
1. As the G9SP Safety Controller is a PNP output type, it cannot be connected to the F3SJ-B□□□□N25. Also, a Safety Controller with PNP output cannot be connected to the F3SJ-B□□□□N25.
  2. The G9SA-301-P is a safety relay unit only for NPN output.

# F3SJ-E/F3SJ-B

## Dimensions

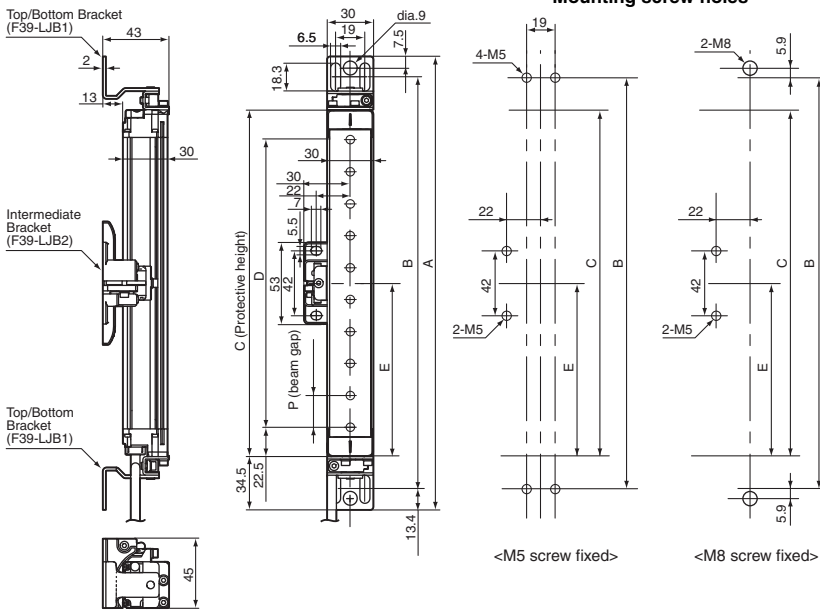
(Unit: mm)

The dimensions of the F3SJ-E and F3SJ-B are the same except for connector cables and cable leads.

## Main Units

### Mounting Top/Bottom and Intermediate Brackets

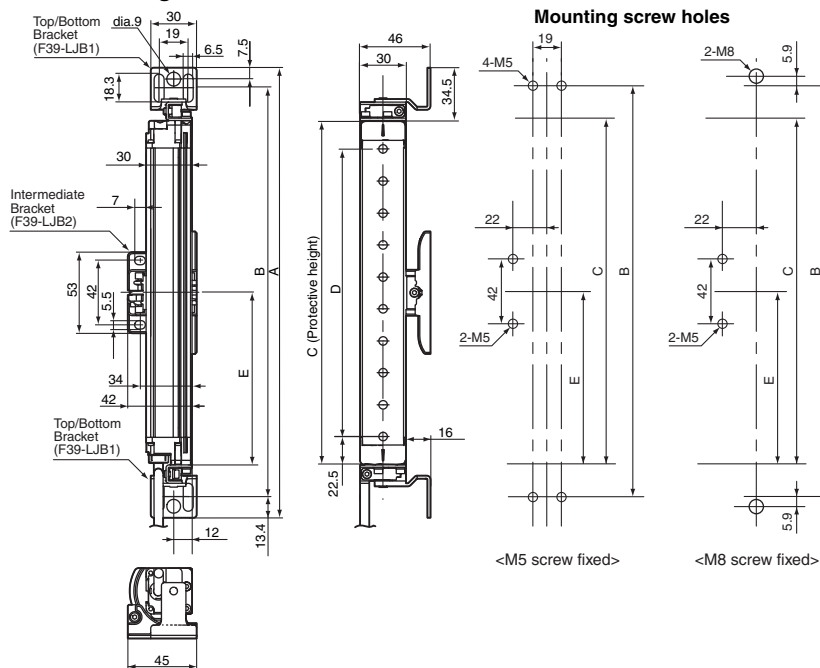
#### Backside mounting



C (protective height): 4-digit number in the table  
 $A = C + 69$ ,  $B = C + 42.2$   
 $D = C - 45$ ,  $E =$  See table below,  $P = 20$

| Protective height | Number of intermediate brackets | E        |
|-------------------|---------------------------------|----------|
| 185 to 1,105      | 0                               | ---      |
| 1,185 to 1,345    | 1                               | C/2 max. |
| 1,425 to 2,065    | 2                               | C/3 max. |

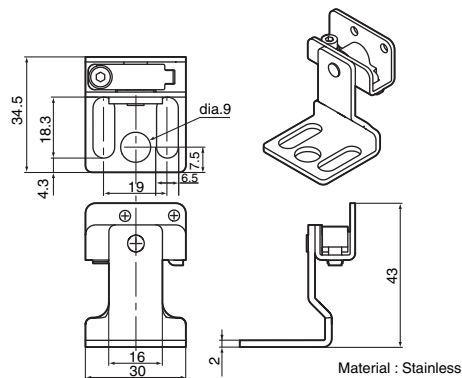
#### Side mounting



C (protective height): 4-digit number in the table  
 $A = C + 69$ ,  $B = C + 42.2$   
 $D = C - 45$ ,  $E =$  See table below,  $P = 20$

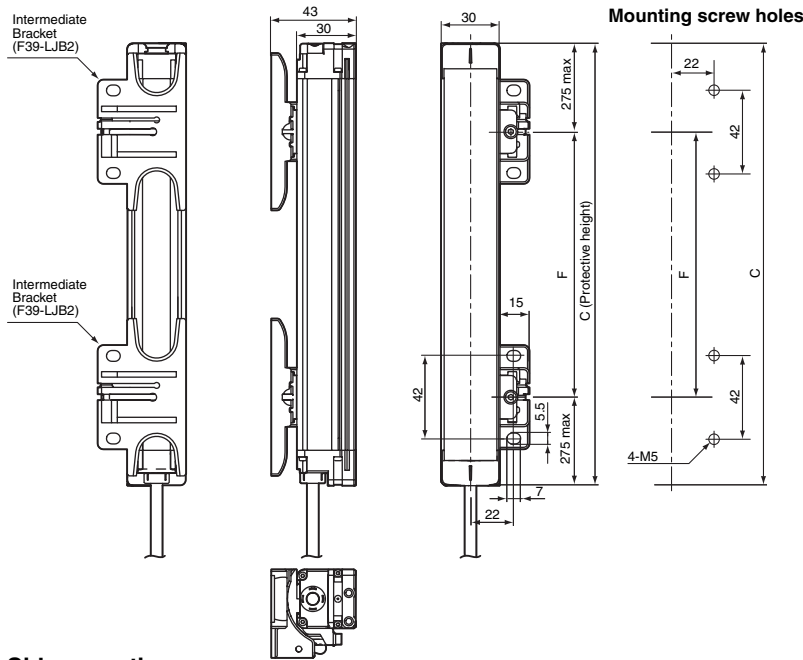
| Protective height | Number of intermediate brackets | E        |
|-------------------|---------------------------------|----------|
| 185 to 1,105      | 0                               | ---      |
| 1,185 to 1,345    | 1                               | C/2 max. |
| 1,425 to 2,065    | 2                               | C/3 max. |

### Dimensions of top/bottom bracket for F39-LJB1



Mounting Intermediate Brackets only (location-free mounting)

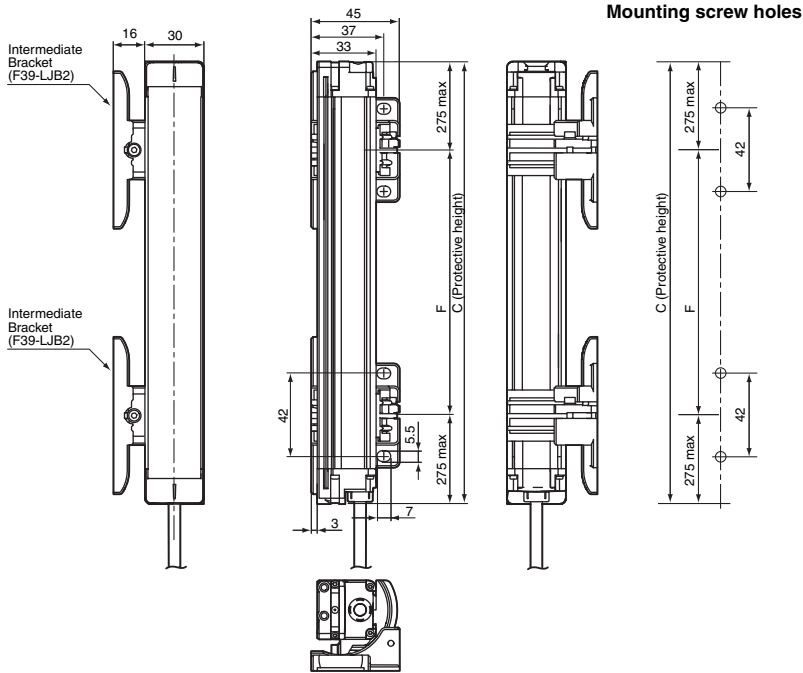
Backside mounting



C (protective height): 4-digit number in the table  
 F = See the table below.

| Protective height | Number of intermediate brackets | F           |
|-------------------|---------------------------------|-------------|
| 185 to 225        | 1                               | ---         |
| 305 to 1,105      | 2                               | 555 mm max. |
| 1,185 to 1,585    | 3                               | 555 mm max. |
| 1,665 to 2,065    | 4                               | 555 mm max. |

Side mounting

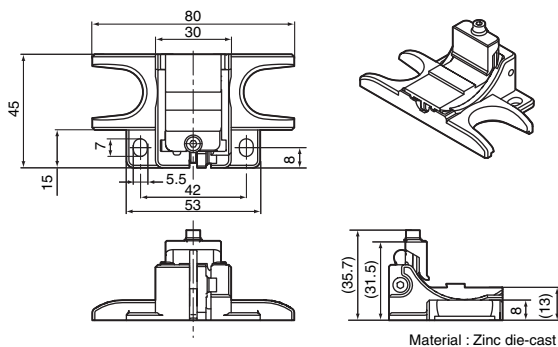


C (protective height): 4-digit number in the table  
 F = See the table below.

| Protective height | Number of intermediate brackets | F           |
|-------------------|---------------------------------|-------------|
| 185 to 225        | 1                               | ---         |
| 305 to 1,105      | 2                               | 555 mm max. |
| 1,185 to 1,585    | 3                               | 555 mm max. |
| 1,665 to 2,065    | 4                               | 555 mm max. |

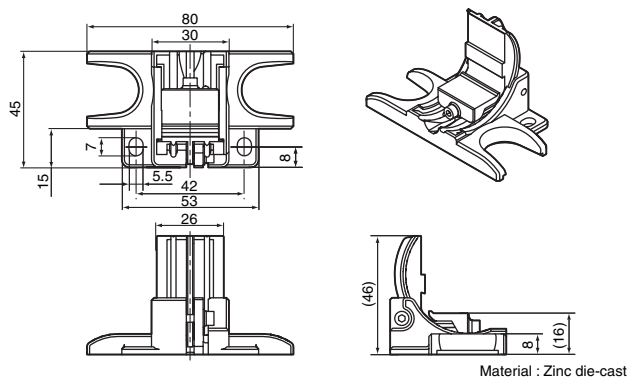
Dimensions of intermediate bracket for F39-LJB2

Backside mounting



Material : Zinc die-cast

Side mounting

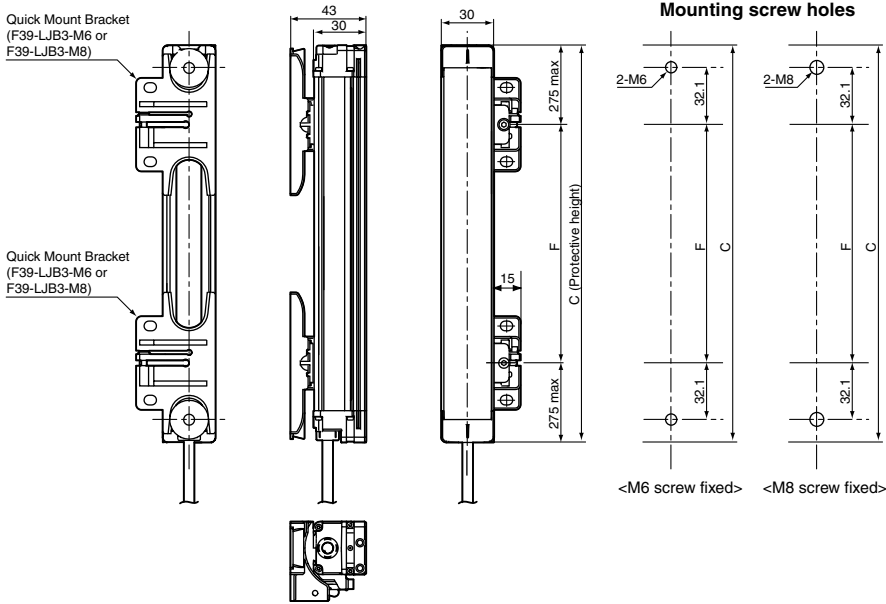


Material : Zinc die-cast



## When Using Quick Mount Brackets

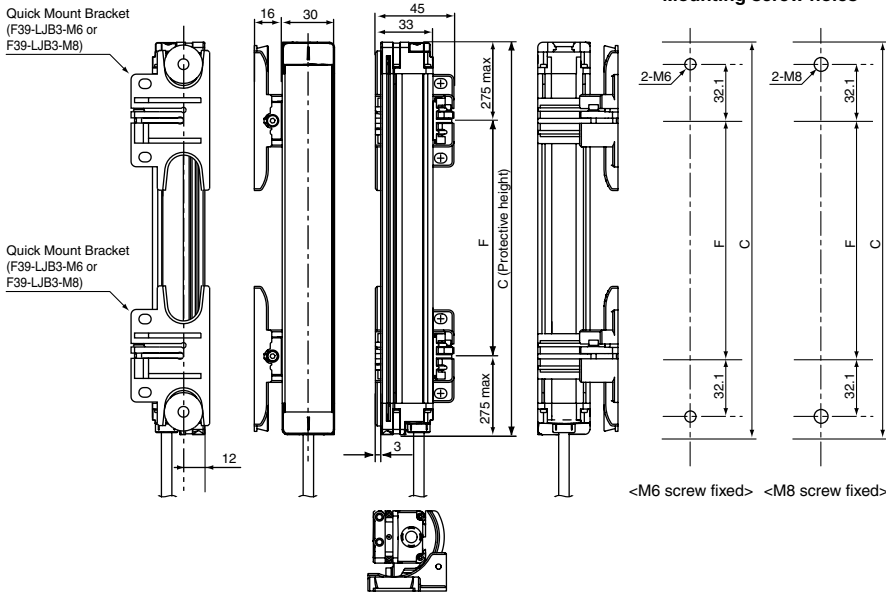
### Backside mounting



C (protective height): 4-digit number in the table  
F = See the table below.

| Protective height | Number of intermediate brackets | F           |
|-------------------|---------------------------------|-------------|
| 185 to 1,105      | 2                               | 555 mm max. |
| 1,185 to 1,585    | 3                               | 555 mm max. |
| 1,665 to 2,065    | 4                               | 555 mm max. |

### Side mounting

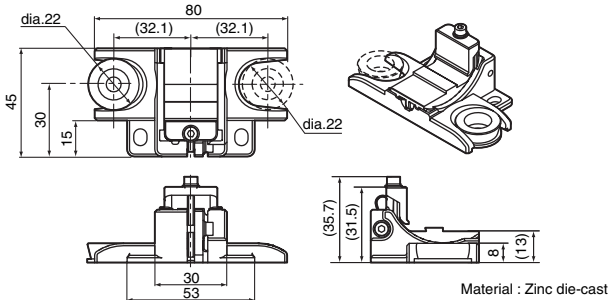


C (protective height): 4-digit number in the table  
F = See the table below.

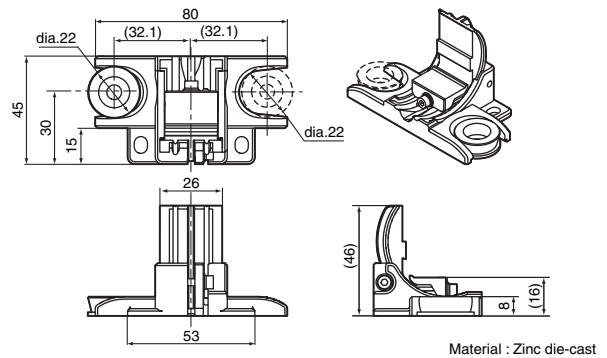
| Protective height | Number of intermediate brackets | F           |
|-------------------|---------------------------------|-------------|
| 185 to 1,105      | 2                               | 555 mm max. |
| 1,185 to 1,585    | 3                               | 555 mm max. |
| 1,665 to 2,065    | 4                               | 555 mm max. |

## Dimensions of quick mount bracket for F39-LJB3

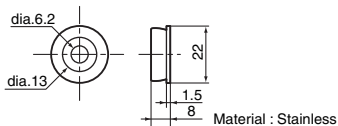
### Backside mounting



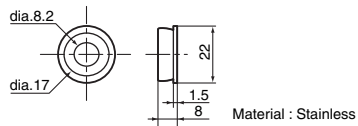
### Side mounting



### Dimensions of quick mount M6 bracket

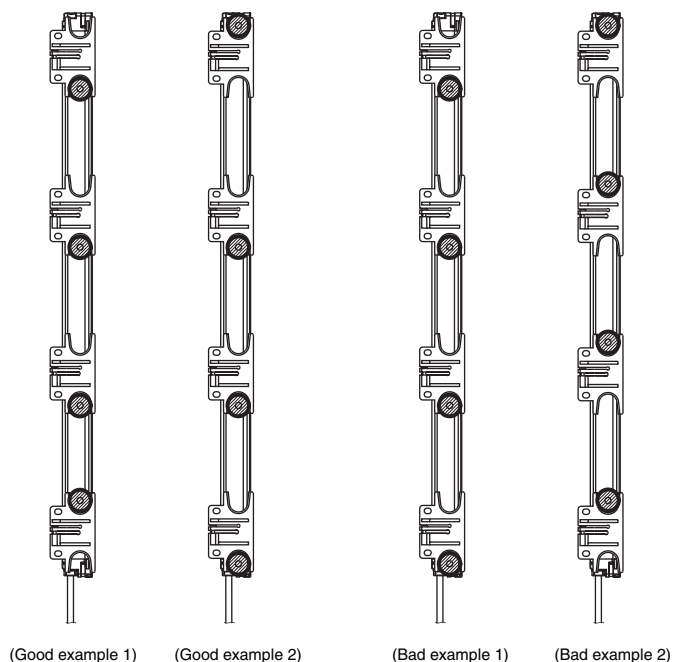


### Dimensions of quick mount M8 bracket



**Precautions on mounting the sensor using Quick Mount Brackets**

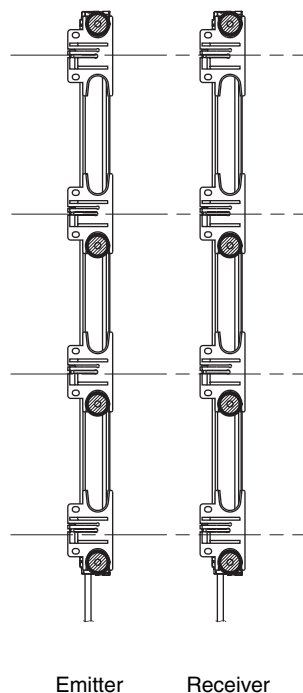
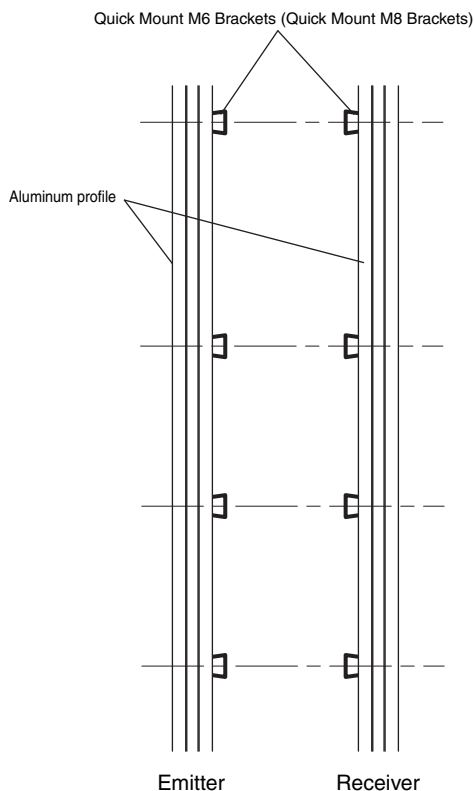
When using two Quick Mount Brackets to mount a sensor, the combination of Quick Mount M6 Bracket (or Quick Mount M8 Bracket) and Intermediate Bracket at the both ends of the sensor must be positioned opposite each other. When using three or more Brackets, Quick Mount M6 Brackets (or Quick Mount M8 Brackets) and Intermediate Brackets at other positions than the both ends must be in the same orientation.



Mount Quick Mount M6 Brackets (or Quick Mount M8 Brackets) according to the mounting positions of the emitter and receiver. The positions of Intermediate Brackets mounted to the emitter and receiver must be aligned with each other.

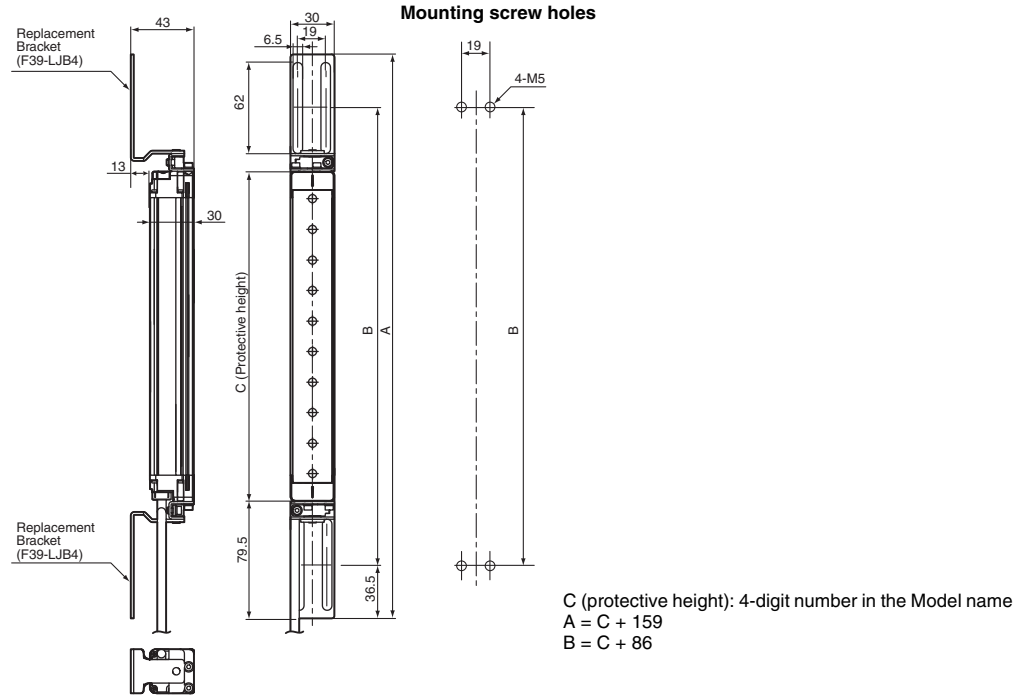
**Side view of the aluminum profile to be mounted**

**Position of the brackets to be mounted to the sensor**

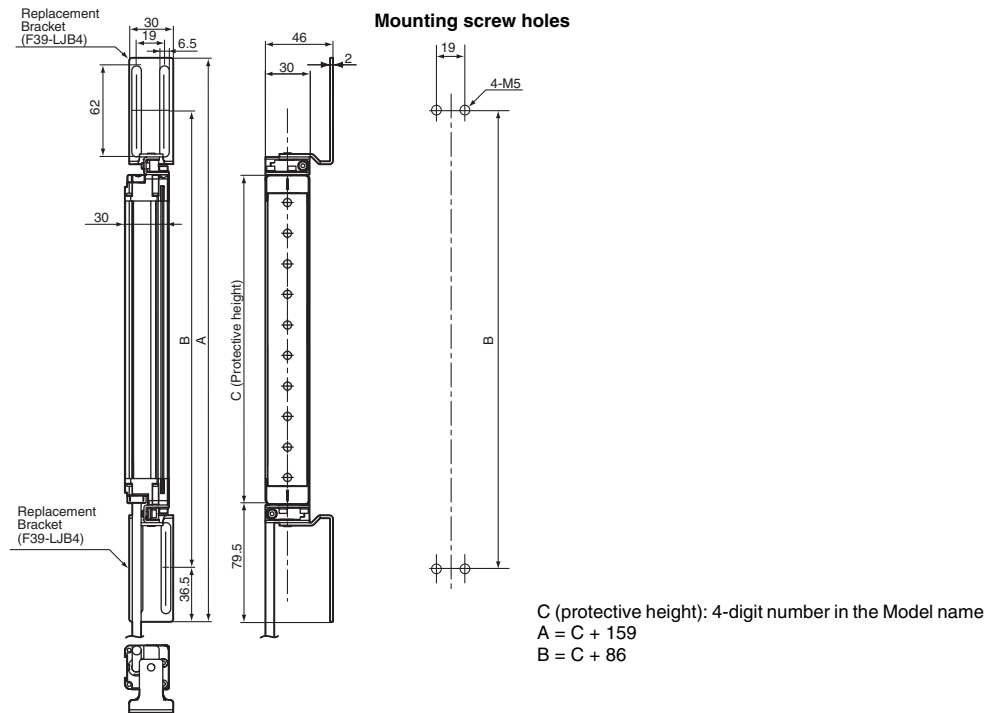


## When Using Compatible Brackets

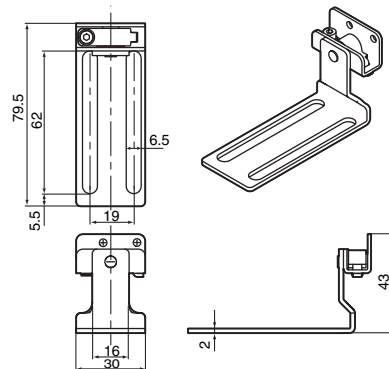
### Backside mounting



### Side mounting



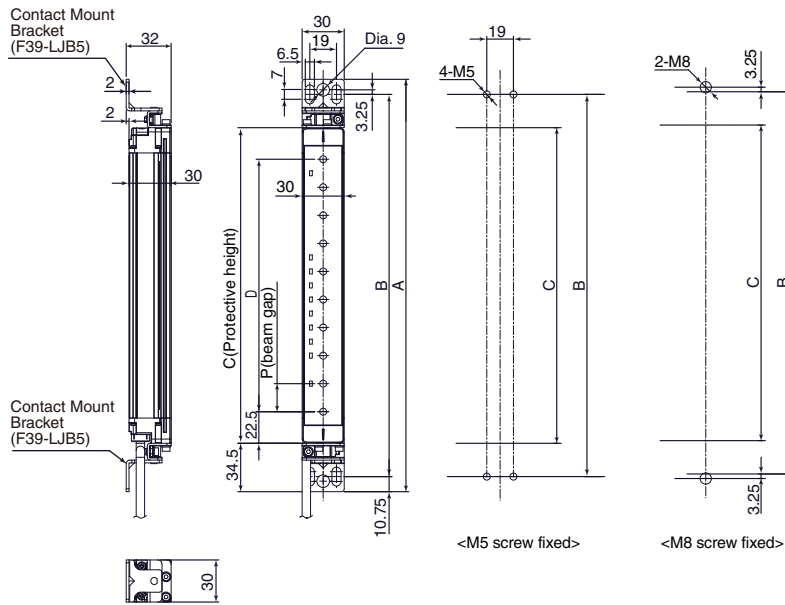
### Dimensions of compatible bracket for F39-LJB4



Material: Stainless

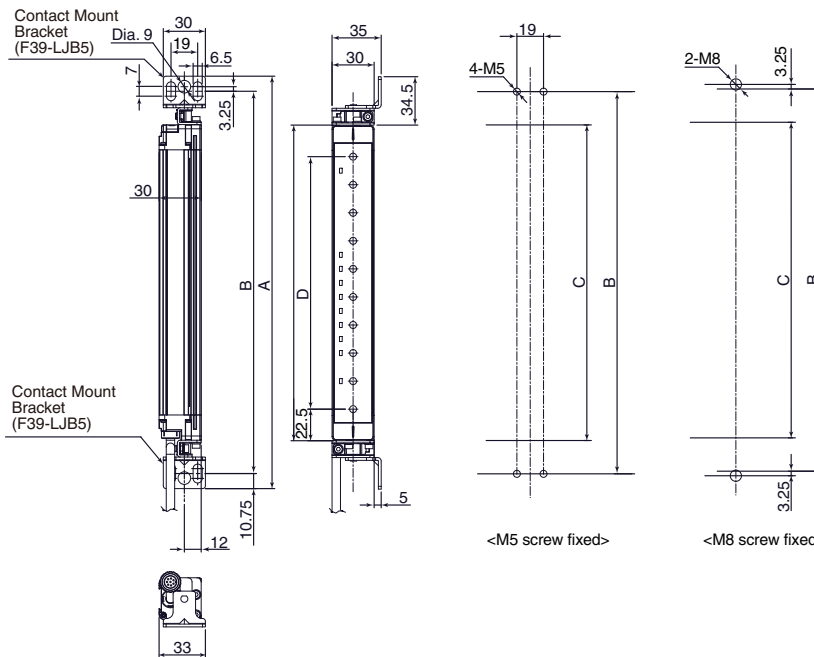
When Using Contact Mount Brackets

Backside mounting



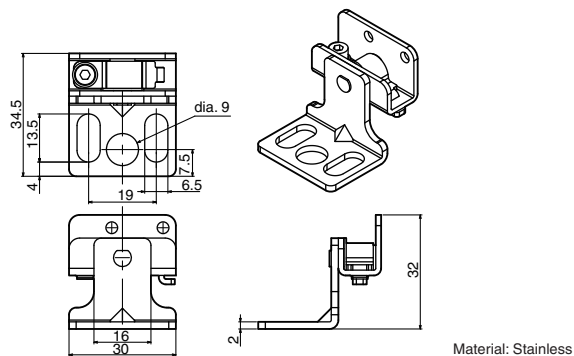
<M5 screw fixed>      <M8 screw fixed>      C (protective height): 4-digit number in the Model name  
 $A = C + 69$   
 $B = C + 47.5$   
 $D = C - 45$

Side mounting



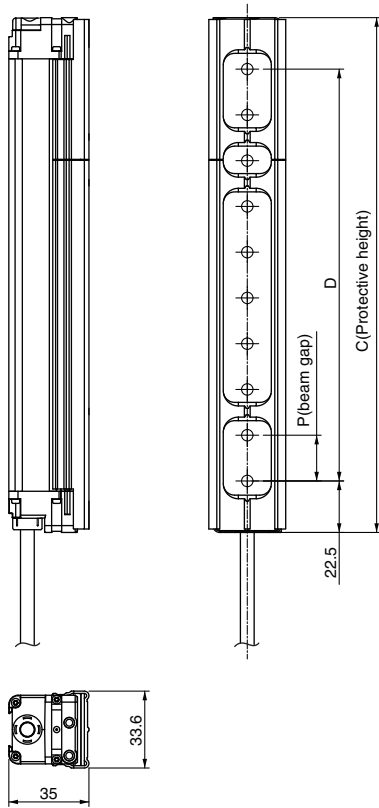
<M5 screw fixed>      <M8 screw fixed>      C (protective height): 4-digit number in the Model name  
 $A = C + 69$   
 $B = C + 47.5$   
 $D = C - 45$

Dimensions of F39-LJB5 contact mount bracket



- Note:** 1. The protective height of the F3SJ-E/B series that supports the contact mount bracket is limited.  
 Protective height allowed for mounting: 185 mm to 1,105 mm (225 mm to 545 mm for the model with the suffix "-02TS")  
 2. Brackets of other models such as F39-LJB1 cannot be used simultaneously.

## F3SJ-B□□□□P25-02TS



**Note:** For information on dimensions with brackets mounted, refer to the User's Manual of the F3SJ-B□□□□P25-02TS (SCHG-736). Brackets used are common to other F3SJ-E/B series.

### Required number of intermediate brackets

The number of the brackets needed for the F3SJ-B□□□□P25-02TS differs from the other F3SJ-E/B series. The table below shows the number of brackets corresponding to the protective heights.

#### When using top/bottom bracket/compatible bracket + intermediate bracket

| Protective height | Number of top/bottom brackets /compatible brackets | Number of intermediate brackets |
|-------------------|--|---------------------------------|
| 0225 to 0545      | 2  | 0                               |
| 0625 to 1105      | 2  | 1                               |
| 1185 to 1585      | 2  | 2                               |
| 1665 to 1985      | 2  | 3                               |

#### Using only the intermediate bracket (free-location mounting)

| Protective height | Number of intermediate brackets |
|-------------------|---------------------------------|
| 0225 to 0385      | 2                               |
| 0465 to 0785      | 3                               |
| 0865 to 1105      | 4                               |
| 1185 to 1425      | 5                               |
| 1505 to 1825      | 6                               |
| 1905 to 1985      | 7                               |

#### When using the quick mount bracket

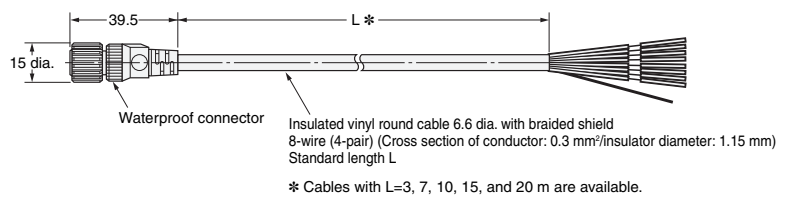
| Protective height | Number of quick mount bracket |
|-------------------|-------------------------------|
| 0225 to 0385      | 2                             |
| 0465 to 0785      | 3                             |
| 0865 to 1105      | 4                             |
| 1185 to 1425      | 5                             |
| 1505 to 1825      | 6                             |
| 1905 to 1985      | 7                             |

## Accessories

### Single-end Connector Cable F3SJ-B

- F39-JD3A (L = 3 m)
- F39-JD7A (L = 7 m)
- F39-JD10A (L = 10 m)
- F39-JD15A (L = 15 m)
- F39-JD20A (L = 20 m)

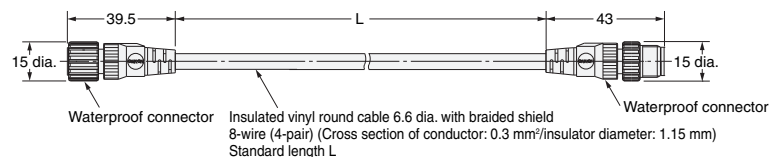
Cable color: Gray for emitter and Black for receiver



### Double-end Connector Cable F3SJ-B

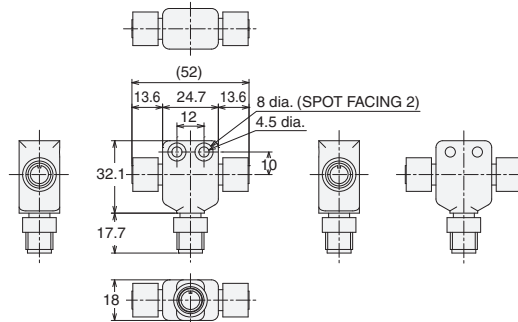
- F39-JDR5B (L = 0.5 m)
- F39-JD1B (L = 1 m)
- F39-JD3 (L = 3 m)
- F39-JD5 (L = 5 m)
- F39-JD7B (L = 7 m)
- F39-JD10B (L = 10 m)
- F39-JD15B (L = 15 m)
- F39-JD20B (L = 20 m)

Cable color: Gray for emitter and Black for receiver

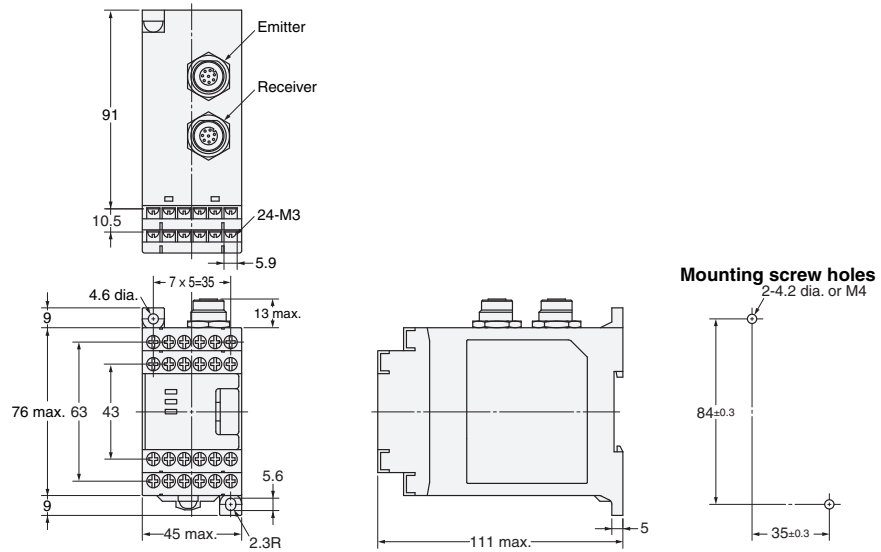




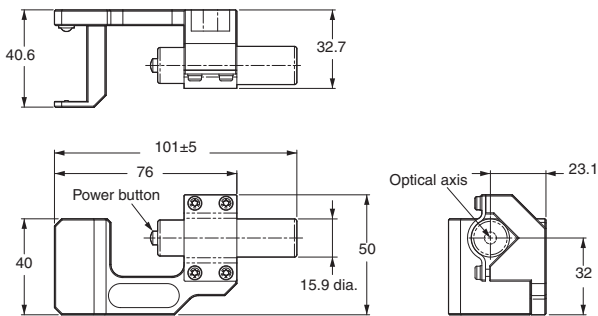
Simple Wiring Connector  
F39-CN5



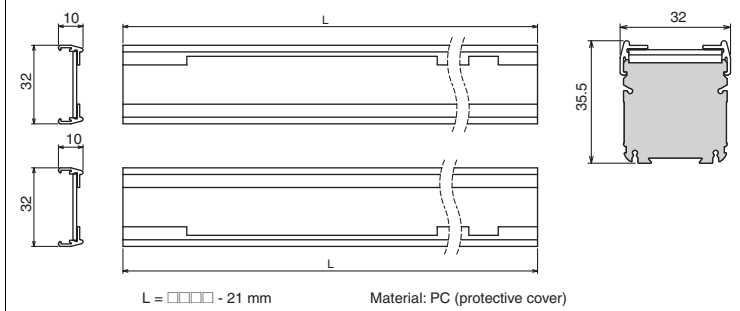
Control Unit F3SJ-B  
F3SP-B1P



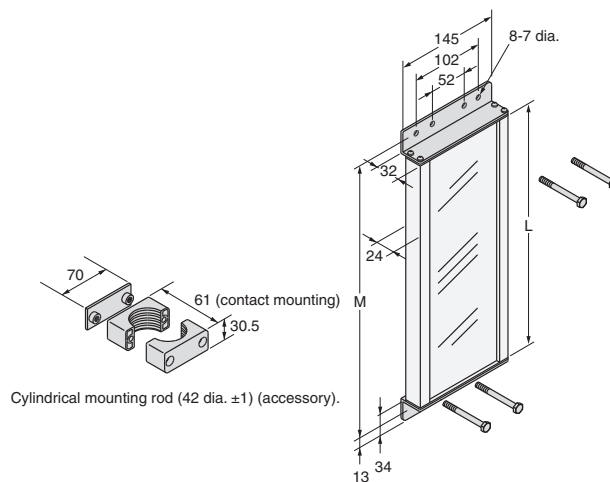
Laser Pointer F3SJ-E F3SJ-B  
F39-PTJ



Spatter Protection Cover F3SJ-E F3SJ-B  
F39-HB□□□□



Mirrors  
F39-MLG□

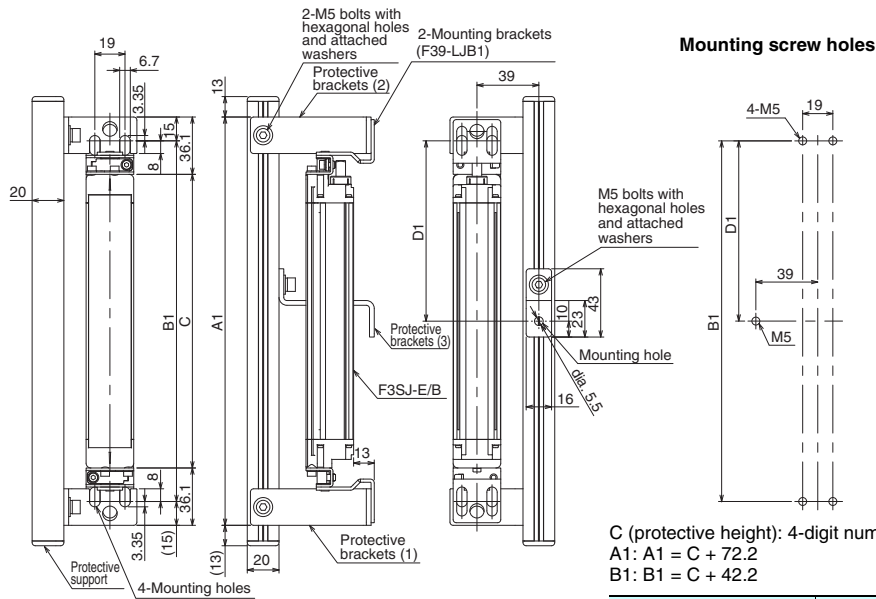


| Model       | L (mm) | M (mm) |
|-------------|--------|--------|
| F39-MLG0406 | 445    | 487    |
| F39-MLG0610 | 648    | 690    |
| F39-MLG0711 | 749    | 792    |
| F39-MLG0914 | 953    | 995    |
| F39-MLG1067 | 1,105  | 1,148  |
| F39-MLG1219 | 1,257  | 1,300  |
| F39-MLG1422 | 1,461  | 1,503  |
| F39-MLG1626 | 1,664  | 1,706  |
| F39-MLG1830 | 1,867  | 1,910  |
| F39-MLG2134 | 2,172  | 2,214  |

## Protective Bar F3SJ-E F3SJ-B

F39-PB□□□□

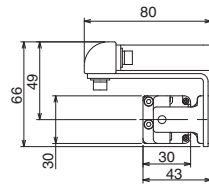
### Backside mounting (using M5 screws)



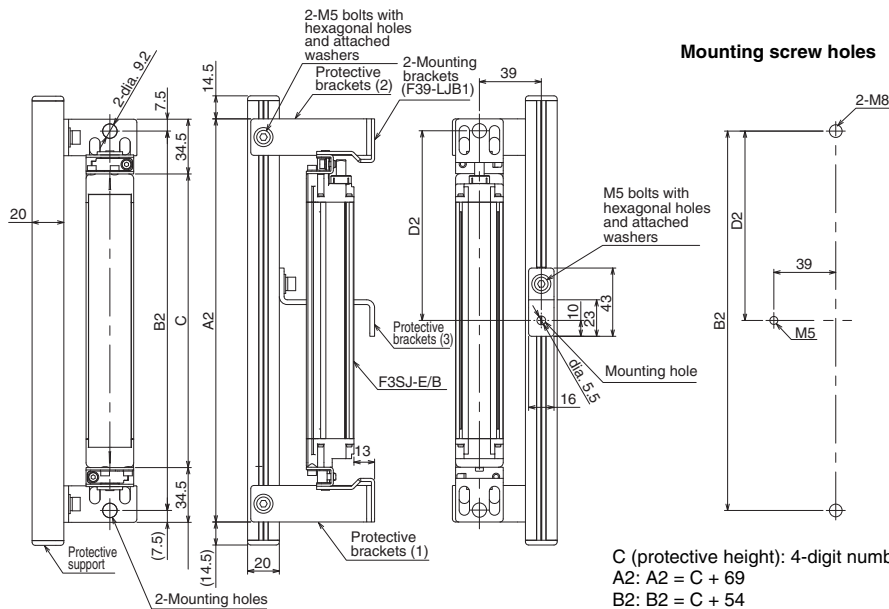
C (protective height): 4-digit number in the Model name  
 A1:  $A1 = C + 72.2$   
 B1:  $B1 = C + 42.2$

| Protective height | Number of protective brackets (3) used | D1   |
|-------------------|--|------|
| 0185 to 0945      | 0                                      | ---  |
| 1025 to 1985      | 1                                      | B1/2 |
| 2065              | 2                                      | B1/3 |

**Note:** For reference, D1 is the dimension that will not interfere with the intermediate bracket on the Safety Light Curtain body.



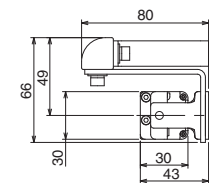
### Backside mounting (using M8 screws)



C (protective height): 4-digit number in the Model name  
 A2:  $A2 = C + 69$   
 B2:  $B2 = C + 54$

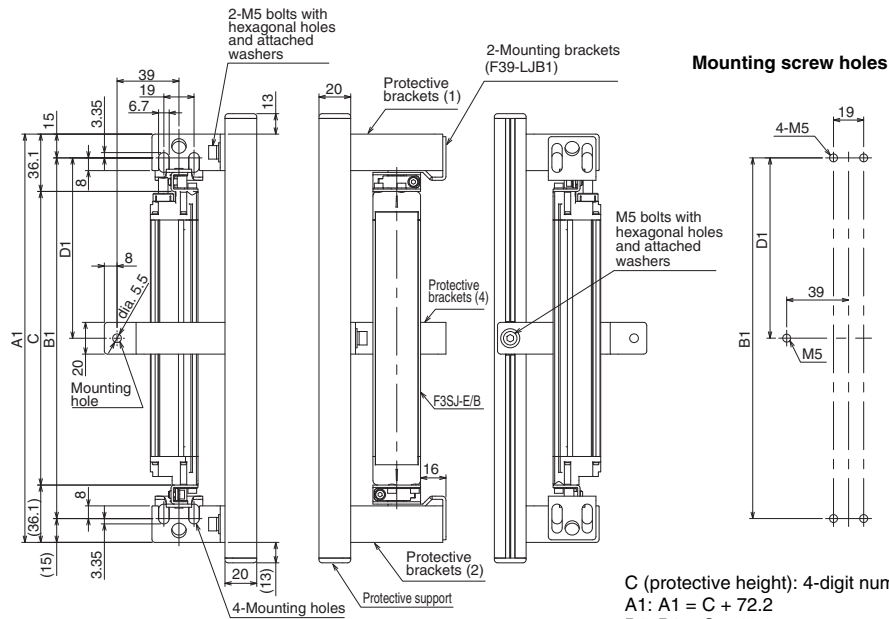
| Protective height | Number of protective brackets (3) used | D2   |
|-------------------|--|------|
| 0185 to 0945      | 0                                      | ---  |
| 1025 to 1985      | 1                                      | B2/2 |
| 2065              | 2                                      | B2/3 |

**Note:** For reference, D2 is the dimension that will not interfere with the intermediate bracket on the Safety Light Curtain body.



F39-PB□□□□

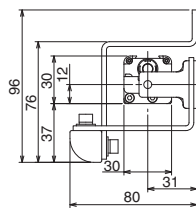
Side mounting (using M5 screws)



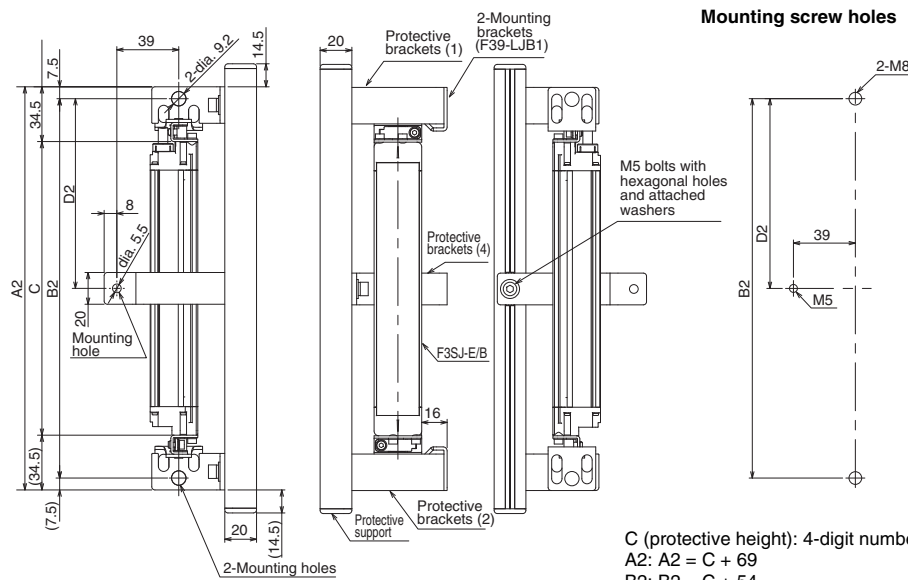
C (protective height): 4-digit number in the Model name  
 A1:  $A1 = C + 72.2$   
 B1:  $B1 = C + 42.2$

| Protective height | Number of protective brackets (4) used | D1   |
|-------------------|--|------|
| 0185 to 0945      | 0                                      | ---  |
| 1025 to 1985      | 1                                      | B1/2 |
| 2065              | 2                                      | B1/3 |

**Note:** For reference, D1 is the dimension that will not interfere with the intermediate bracket on the Safety Light Curtain body.



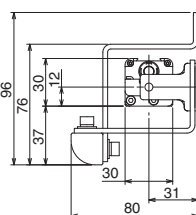
Side mounting (using M8 screws)



C (protective height): 4-digit number in the Model name  
 A2:  $A2 = C + 69$   
 B2:  $B2 = C + 54$

| Protective height | Number of protective brackets (4) used | D2   |
|-------------------|--|------|
| 0185 to 0945      | 0                                      | ---  |
| 1025 to 1985      | 1                                      | B2/2 |
| 2065              | 2                                      | B2/3 |

**Note:** For reference, D2 is the dimension that will not interfere with the intermediate bracket on the Safety Light Curtain body.



# Safety Light Curtain

# F3SJ-A

## High-functional ADVANCED type supports finger protection and special applications.

- Detection capability supports finger protection.
- Equipped with wide variety of functions such as partial muting and blanking functions.
- The system status can be checked with PC tool.

### Related information

Function List : Page 97 to 97  
 Safety Precautions : Page 99  
 Precautions on Safety : Page 100 to 104

## Ordering Information

### Main Units

#### Safety Light Curtain

| Application                             | Detection capability | Beam gap | Operating range | Protective height (mm) | Model               |               |
|---|----------------------|----------|-----------------|------------------------|---------------------|---------------|
|   |                      |          |                 |                        | PNP output          | NPN output    |
| Finger protection                       | Dia. 14 mm           | 9 mm     | 0.2 to 9 m      | 245 to 1,271           | F3SJ-A□□□□P14<br>*2 | F3SJ-A□□□□N14 |
| Hand protection                         | Dia. 20 mm           | 15 mm    | 0.2 to 9 m      | 245 to 1,505           | F3SJ-A□□□□P20<br>*2 | F3SJ-A□□□□N20 |
| Hand/arm protection                     | Dia. 30 mm           | 25 mm    | 0.2 to 9 m      | 245 to 1,620           | F3SJ-A□□□□P30<br>*1 | F3SJ-A□□□□N30 |
|   |                      |          | 0.2 to 7 m      | 1,745 to 2,495         |                     |               |
| Leg/body protection, presence detection | Dia. 55 mm           | 50 mm    | 0.2 to 9 m      | 270 to 1,570           | F3SJ-A□□□□P55<br>*1 | F3SJ-A□□□□N55 |
|   |                      |          | 0.2 to 7 m      | 1,670 to 2,470         |                     |               |

**Note:** Connection cables are not included in the products. You must purchase optional connector cable.

\*1. Models with S-mark certification have an "-S VER2" at the end of the model number.

Example: F3SJ-A0245P30-S VER2

\*2. The F3SJ-A-□□□□-TS series with the suffix "-TS" are auto reset fixed models. Function settings using the setting console F39-MC21 or PC tool F39-GWUM for F3SJ cannot be performed.

(Models with detection capability 25 mm dia. are also available.)

## Safety Light Curtain Model List

## F3SJ-A14 Series (9 mm gap)

| Model         |               | Number of Beams | Protective Height (mm) * |
|---------------|---------------|-----------------|--------------------------|
| PNP Output    | NPN Output    |                 |                          |
| F3SJ-A0245P14 | F3SJ-A0245N14 | 26              | 245                      |
| F3SJ-A0263P14 | F3SJ-A0263N14 | 28              | 263                      |
| F3SJ-A0299P14 | F3SJ-A0299N14 | 32              | 299                      |
| F3SJ-A0317P14 | F3SJ-A0317N14 | 34              | 317                      |
| F3SJ-A0389P14 | F3SJ-A0389N14 | 42              | 389                      |
| F3SJ-A0461P14 | F3SJ-A0461N14 | 50              | 461                      |
| F3SJ-A0551P14 | F3SJ-A0551N14 | 60              | 551                      |
| F3SJ-A0623P14 | F3SJ-A0623N14 | 68              | 623                      |
| F3SJ-A0695P14 | F3SJ-A0695N14 | 76              | 695                      |
| F3SJ-A0731P14 | F3SJ-A0731N14 | 80              | 731                      |
| F3SJ-A0803P14 | F3SJ-A0803N14 | 88              | 803                      |
| F3SJ-A0875P14 | F3SJ-A0875N14 | 96              | 875                      |
| F3SJ-A0983P14 | F3SJ-A0983N14 | 108             | 983                      |
| F3SJ-A1055P14 | F3SJ-A1055N14 | 116             | 1,055                    |
| F3SJ-A1127P14 | F3SJ-A1127N14 | 124             | 1,127                    |
| F3SJ-A1199P14 | F3SJ-A1199N14 | 132             | 1,199                    |
| F3SJ-A1271P14 | F3SJ-A1271N14 | 140             | 1,271                    |

\*Protective Height (mm) = Total sensor length

## F3SJ-A20 Series (15 mm gap)

| Model         |               | Number of Beams | Protective Height (mm) * |
|---------------|---------------|-----------------|--------------------------|
| PNP Output    | NPN Output    |                 |                          |
| F3SJ-A0245P20 | F3SJ-A0245N20 | 16              | 245                      |
| F3SJ-A0275P20 | F3SJ-A0275N20 | 18              | 275                      |
| F3SJ-A0305P20 | F3SJ-A0305N20 | 20              | 305                      |
| F3SJ-A0395P20 | F3SJ-A0395N20 | 26              | 395                      |
| F3SJ-A0455P20 | F3SJ-A0455N20 | 30              | 455                      |
| F3SJ-A0545P20 | F3SJ-A0545N20 | 36              | 545                      |
| F3SJ-A0605P20 | F3SJ-A0605N20 | 40              | 605                      |
| F3SJ-A0635P20 | F3SJ-A0635N20 | 42              | 635                      |
| F3SJ-A0695P20 | F3SJ-A0695N20 | 46              | 695                      |
| F3SJ-A0785P20 | F3SJ-A0785N20 | 52              | 785                      |
| F3SJ-A0815P20 | F3SJ-A0815N20 | 54              | 815                      |
| F3SJ-A0875P20 | F3SJ-A0875N20 | 58              | 875                      |
| F3SJ-A0935P20 | F3SJ-A0935N20 | 62              | 935                      |
| F3SJ-A1025P20 | F3SJ-A1025N20 | 68              | 1,025                    |
| F3SJ-A1115P20 | F3SJ-A1115N20 | 74              | 1,115                    |
| F3SJ-A1205P20 | F3SJ-A1205N20 | 80              | 1,205                    |
| F3SJ-A1265P20 | F3SJ-A1265N20 | 84              | 1,265                    |
| F3SJ-A1445P20 | F3SJ-A1445N20 | 96              | 1,445                    |
| F3SJ-A1505P20 | F3SJ-A1505N20 | 100             | 1,505                    |

\*Protective Height (mm) = Total sensor length

## F3SJ-A30 Series (25 mm gap)

| Model         |               | Number of Beams | Protective Height (mm) * |
|---------------|---------------|-----------------|--------------------------|
| PNP Output    | NPN Output    |                 |                          |
| F3SJ-A0245P30 | F3SJ-A0245N30 | 10              | 245                      |
| F3SJ-A0295P30 | F3SJ-A0295N30 | 12              | 295                      |
| F3SJ-A0395P30 | F3SJ-A0395N30 | 16              | 395                      |
| F3SJ-A0470P30 | F3SJ-A0470N30 | 19              | 470                      |
| F3SJ-A0520P30 | F3SJ-A0520N30 | 21              | 520                      |
| F3SJ-A0545P30 | F3SJ-A0545N30 | 22              | 545                      |
| F3SJ-A0570P30 | F3SJ-A0570N30 | 23              | 570                      |
| F3SJ-A0620P30 | F3SJ-A0620N30 | 25              | 620                      |
| F3SJ-A0720P30 | F3SJ-A0720N30 | 29              | 720                      |
| F3SJ-A0795P30 | F3SJ-A0795N30 | 32              | 795                      |
| F3SJ-A0870P30 | F3SJ-A0870N30 | 35              | 870                      |
| F3SJ-A0920P30 | F3SJ-A0920N30 | 37              | 920                      |
| F3SJ-A0945P30 | F3SJ-A0945N30 | 38              | 945                      |
| F3SJ-A0995P30 | F3SJ-A0995N30 | 40              | 995                      |
| F3SJ-A1020P30 | F3SJ-A1020N30 | 41              | 1,020                    |
| F3SJ-A1095P30 | F3SJ-A1095N30 | 44              | 1,095                    |
| F3SJ-A1120P30 | F3SJ-A1120N30 | 45              | 1,120                    |
| F3SJ-A1195P30 | F3SJ-A1195N30 | 48              | 1,195                    |
| F3SJ-A1270P30 | F3SJ-A1270N30 | 51              | 1,270                    |
| F3SJ-A1395P30 | F3SJ-A1395N30 | 56              | 1,395                    |
| F3SJ-A1620P30 | F3SJ-A1620N30 | 65              | 1,620                    |
| F3SJ-A1745P30 | F3SJ-A1745N30 | 70              | 1,745                    |
| F3SJ-A1870P30 | F3SJ-A1870N30 | 75              | 1,870                    |
| F3SJ-A1995P30 | F3SJ-A1995N30 | 80              | 1,995                    |
| F3SJ-A2245P30 | F3SJ-A2245N30 | 90              | 2,245                    |
| F3SJ-A2370P30 | F3SJ-A2370N30 | 95              | 2,370                    |
| F3SJ-A2495P30 | F3SJ-A2495N30 | 100             | 2,495                    |

\*Protective Height (mm) = Total sensor length

## F3SJ-A55 Series (50 mm gap)

| Model         |               | Number of Beams | Protective Height (mm) * |
|---------------|---------------|-----------------|--------------------------|
| PNP Output    | NPN Output    |                 |                          |
| F3SJ-A0270P55 | F3SJ-A0270N55 | 6               | 270                      |
| F3SJ-A0320P55 | F3SJ-A0320N55 | 7               | 320                      |
| F3SJ-A0370P55 | F3SJ-A0370N55 | 8               | 370                      |
| F3SJ-A0470P55 | F3SJ-A0470N55 | 10              | 470                      |
| F3SJ-A0570P55 | F3SJ-A0570N55 | 12              | 570                      |
| F3SJ-A0620P55 | F3SJ-A0620N55 | 13              | 620                      |
| F3SJ-A0720P55 | F3SJ-A0720N55 | 15              | 720                      |
| F3SJ-A0770P55 | F3SJ-A0770N55 | 16              | 770                      |
| F3SJ-A0870P55 | F3SJ-A0870N55 | 18              | 870                      |
| F3SJ-A0920P55 | F3SJ-A0920N55 | 19              | 920                      |
| F3SJ-A0970P55 | F3SJ-A0970N55 | 20              | 970                      |
| F3SJ-A1020P55 | F3SJ-A1020N55 | 21              | 1,020                    |
| F3SJ-A1120P55 | F3SJ-A1120N55 | 23              | 1,120                    |
| F3SJ-A1170P55 | F3SJ-A1170N55 | 24              | 1,170                    |
| F3SJ-A1270P55 | F3SJ-A1270N55 | 26              | 1,270                    |
| F3SJ-A1320P55 | F3SJ-A1320N55 | 27              | 1,320                    |
| F3SJ-A1420P55 | F3SJ-A1420N55 | 29              | 1,420                    |
| F3SJ-A1570P55 | F3SJ-A1570N55 | 32              | 1,570                    |
| F3SJ-A1770P55 | F3SJ-A1770N55 | 36              | 1,770                    |
| F3SJ-A1920P55 | F3SJ-A1920N55 | 39              | 1,920                    |
| F3SJ-A2070P55 | F3SJ-A2070N55 | 42              | 2,070                    |
| F3SJ-A2220P55 | F3SJ-A2220N55 | 45              | 2,220                    |
| F3SJ-A2370P55 | F3SJ-A2370N55 | 48              | 2,370                    |
| F3SJ-A2470P55 | F3SJ-A2470N55 | 50              | 2,470                    |


\*Protective Height (mm) = Total sensor length



## Accessories (Sold separately)


### Single-end Connector Cable (2 cables per set, for emitter and receiver)

For wiring with safety circuit such as single safety relay, safety relay unit, and safety controller

| Appearance  | Cable length | Specifications        | Model     |
|---|--------------|-----------------------|-----------|
|  | 3 m          | M12 connector (8-pin) | F39-JD3A  |
|   | 7 m          |                       | F39-JD7A  |
|   | 10 m         |                       | F39-JD10A |
|   | 15 m         |                       | F39-JD15A |
|   | 20 m         |                       | F39-JD20A |


### Double-end Connector Cable (2 cables per set, for emitter and receiver)

Control unit for connection with F3SP-B1P, to extend the length under series connection (\*)

| Appearance  | Cable Length | Specifications        | Model     |
|---|--------------|-----------------------|-----------|
|  | 0.5 m        | M12 connector (8-pin) | F39-JDR5B |
|   | 1 m          |                       | F39-JD1B  |
|   | 3 m          |                       | F39-JD3B  |
|   | 5 m          |                       | F39-JD5B  |
|   | 7 m          |                       | F39-JD7B  |
|   | 10 m         |                       | F39-JD10B |
|   | 15 m         |                       | F39-JD15B |
|   | 20 m         |                       | F39-JD20B |




\*To extend the cable length under series connection, use F39-JJR3W and F39-JD□B in combination. Also, the cable length 20 to 40 m cannot be used.

### Power cable (included in the main unit.2 cables per set, for emitter and receiver)

| Appearance  | Cable Length | Model     |
|---|--------------|-----------|
|  | 0.3 m        | F39-JJR3K |

**Note:** This product is for F3SJ-A only.

### Series-connection Cable (2 cables per set, for emitter and receiver)

| Type                                 | Appearance  | Cable Length | Model         | Application  |
|--------------------------------------|---|--------------|---------------|--|
| Series connection cable              |  | 0.3 m        | F39-JJR3W *1  | For series connection *2<br>When using the Water-resistant Case. *3  |
| Extension cable                      |  | 0.5 to 15 m  | F39-JD□B      | To change series connection length in combination with F39-JJR3W   |
| Side-by-side Series connection cable |  | 0.06 m       | F39-JJR06L *1 | Dedicated cable to materialize series connection with minimum length without connector cable of the main sensor unit |
|                                      |   | 0.15 m       | F39-JJR15L *1 |  |

\*1. This product is for F3SJ-A only.


\*2. Total cable length of series connection is 0.6 m to connect to connector cable of the main sensor unit.

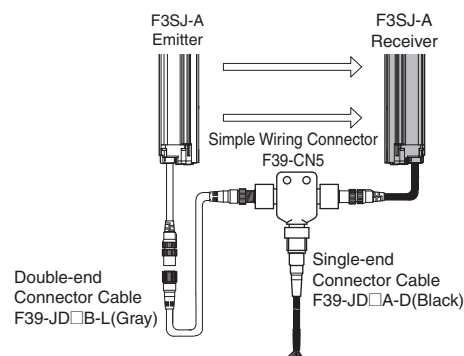
For series connection with minimum length, use F39-JJR06L or F39-JJR15L.

\*3. When using the F39-EJ□□□□-L/D Water-resistant Case in series connection configurations, use the special series connection cables for the Water-resistant Case. Refer to page 71 for details.


## Simple wiring connector system (Order F39-CN5 and optimal set of cables for emitter and receiver.)

### Simple wiring connector

| Appearance  | Model   | Application      |
|---|---------|------------------|
|  | F39-CN5 | To reduce wiring |





### Cable for simple wiring \* (2 cables per set, for emitter and receiver)

| Appearance   | Cable length                  | Model        | Application      | Remarks  |
|--|-------------------------------|--------------|------------------|--|
|  | Emitter: 3m<br>Receiver: 3m   | F39-JD0303BA | To reduce wiring | Double-end Connector Cable: F39-JD3B-L<br>Single-end Connector Cable: F39-JD3A-D   |
|  | Emitter: 3m<br>Receiver: 7m   | F39-JD0307BA |                  | Double-end Connector Cable: F39-JD3B-L<br>Single-end Connector Cable: F39-JD7A-D   |
|  | Emitter: 3m<br>Receiver: 10m  | F39-JD0310BA |                  | Double-end Connector Cable: F39-JD3B-L<br>Single-end Connector Cable: F39-JD10A-D  |
|  | Emitter: 5m<br>Receiver: 3m   | F39-JD0503BA |                  | Double-end Connector Cable: F39-JD5B-L<br>Single-end Connector Cable: F39-JD3A-D   |
|  | Emitter: 5m<br>Receiver: 7m   | F39-JD0507BA |                  | Double-end Connector Cable: F39-JD5B-L<br>Single-end Connector Cable: F39-JD7A-D   |
|  | Emitter: 5m<br>Receiver: 10m  | F39-JD0510BA |                  | Double-end Connector Cable: F39-JD5B-L<br>Single-end Connector Cable: F39-JD10A-D  |
|  | Emitter: 10m<br>Receiver: 3m  | F39-JD1003BA |                  | Double-end Connector Cable: F39-JD10B-L<br>Single-end Connector Cable: F39-JD3A-D  |
|  | Emitter: 10m<br>Receiver: 7m  | F39-JD1007BA |                  | Double-end Connector Cable: F39-JD10B-L<br>Single-end Connector Cable: F39-JD7A-D  |
|  | Emitter: 10m<br>Receiver: 10m | F39-JD1010BA |                  | Double-end Connector Cable: F39-JD10B-L<br>Single-end Connector Cable: F39-JD10A-D |

**Note:** Cables for the emitter and receiver with other cable lengths than those listed above can also be used in combination. Please contact your OMRON sales representative for details.


\*The cable for the emitter is a double-end connector cable, and the cable for the receiver is a single-end connector cable.

### Relays with Forcibly Guided Contacts

| Type   | Appearance  | Specifications  | Model      | Remarks   |
|--|---|---|------------|---|
| G7SA Relays with Forcibly Guided Contacts    |  | <ul style="list-style-type: none"> <li>Nodes: 4</li> <li>Contact type: 2A2B</li> <li>Rated switch load: 250 VAC 6 A, 30 VDC 6 A</li> </ul>      | G7SA-2A2B  | For details on other models or socket models, refer to the OMRON's website. |
|  |   | <ul style="list-style-type: none"> <li>Nodes: 4</li> <li>Contact type: 3NO+1NC</li> <li>Rated switch load: 250 VAC 6 A, 30 VDC 6 A</li> </ul>   | G7SA-3A1B  |   |
| G7S-□-E Relays with Forcibly Guided Contacts |  | <ul style="list-style-type: none"> <li>Nodes: 6</li> <li>Contact type: 4NO+2NC</li> <li>Rated switch load: 250 VAC 10 A, 30 VDC 10 A</li> </ul> | G7S-4A2B-E | For details on other models or socket models, refer to the OMRON's website. |
|  |   | <ul style="list-style-type: none"> <li>Nodes: 6</li> <li>Contact type: 3NO+3NC</li> <li>Rated switch load: 250 VAC 10 A, 30 VDC 10 A</li> </ul> | G7S-3A3B-E |   |


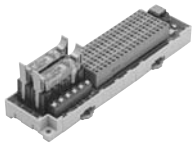
# F3SJ-A

## Control Unit (Can not be used as a muting system) (Dedicated PNP output type) \*

| Appearance  | Output         | Model             | Remarks  |
|---|----------------|-------------------|--|
|  | Relay, 3NO+1NC | <b>F3SP-B1P *</b> | For connection with F3SJ-A, use a double-end connector cable F39-JD□B. |


\*F3SJ for NPN output type cannot be connected.

## Wire-saving Devices


| Type  | Appearance  | Specifications                      | Model             | Remarks  |
|---|---|-------------------------------------|-------------------|--|
| Connector Terminal Box/<br>Muting Terminals |  | Model with PNP Muting Sensor Output | <b>F39-TC5P01</b> | Significantly reduces amount of wiring between Safety Light Curtains and Muting Sensors. IP67 model for mounting at Sensor installation site. For details, refer to the OMRON's website. |
|   |   | Model with PNP Override Input       | <b>F39-TC5P02</b> |  |
|   |   | Model with NPN Muting Sensor Output | <b>F39-TC5N01</b> |  |
|   |   | Model with NPN Override Input       | <b>F39-TC5N02</b> |  |
| Safety Terminal Relays                      |  | PNP output relay, SPDT-NO           | <b>F3SP-T01 *</b> | Significantly reduces amount of wiring between Safety Light Curtains and Muting Sensors. For details, refer to the OMRON's website.  |

\*F3SJ for NPN output type cannot be connected.

## Laser Pointer


| Appearance  | Output                 | Model          |
|---|------------------------|----------------|
|  | Laser Pointer for F3SJ | <b>F39-PTJ</b> |

**Dedicated External Indicator Set (can be connected to either an emitter or a receiver)**

| Appearance  | Color  | Model                | Remarks  |
|---|--------|----------------------|--|
|  | Red    | <b>F39-A01PR-PAC</b> | Indicator (red), mounting bracket 1 set, and dedicated connection cable (0.1 m)    |
|   | Green  | <b>F39-A01PG-PAC</b> | Indicator (green), mounting bracket 1 set, and dedicated connection cable (0.1 m)  |
|   | Yellow | <b>F39-A01PY-PAC</b> | Indicator (yellow), mounting bracket 1 set, and dedicated connection cable (0.1 m) |

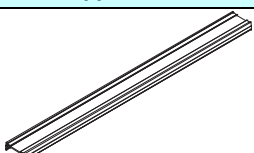
**Note:** 1. For indication timing (operation mode), see "Specifications" on page 72.  
 2. This product is for F3SJ-A only.

**General External Indicator Cable**

| Appearance  | Cable Length | Specifications   | Model             |
|---|--------------|--|-------------------|
|  | 3 m          | Cable to connect top of the main unit and an off-the-shelf external indicator (2-wire) | <b>F39-JJ3N *</b> |

\* This product is for F3SJ-A only.


**Spatter Protection Cover (2 cables per set, common for emitter/receiver) (10% Operating Range Attenuation)**

| Appearance   | Model                      |
|--|----------------------------|
|  | <b>F39-HJ□□□□</b><br>*1 *2 |

\*1. This product is for F3SJ-A only.

\*2. The same 4-digit numbers as the protective heights (□□□□ in the light curtain model names) are substituted by in the model names.

**Mirrors (12% Operating Range Attenuation)**

| Appearance  | Mirror material | Width (mm) | Thickness (mm) | Length (mm) | Model              | Remarks  |
|---|-----------------|------------|----------------|-------------|--------------------|--|
|  | Glass mirror    | 145        | 32             | 406         | <b>F39-MLG0406</b> | 2 sets of Cylindrical mounting rod, 4 screws are included. |
|   |                 |            |                | 610         | <b>F39-MLG0610</b> |  |
|   |                 |            |                | 711         | <b>F39-MLG0711</b> |  |
|   |                 |            |                | 914         | <b>F39-MLG0914</b> |  |
|   |                 |            |                | 1,067       | <b>F39-MLG1067</b> |  |
|   |                 |            |                | 1,219       | <b>F39-MLG1219</b> |  |
|   |                 |            |                | 1,422       | <b>F39-MLG1422</b> |  |
|   |                 |            |                | 1,626       | <b>F39-MLG1626</b> |  |
|   |                 |            |                | 1,830       | <b>F39-MLG1830</b> |  |
|   |                 |            |                | 2,134       | <b>F39-MLG2134</b> |  |

**Test rod (Sold separately)**

| Diameter  | Model            |
|-----------|------------------|
| 14mm dia. | <b>F39-TRD14</b> |
| 20mm dia. | <b>F39-TRD20</b> |
| 25mm dia. | <b>F39-TRD25</b> |
| 30mm dia. | <b>F39-TRD30</b> |

# F3SJ-A

## Sensor Mounting Brackets (Sold separately)

| Appearance | Specifications  | Model      | Application   | Remarks   |
|------------|---|------------|---|---|
|            | Standard mounting bracket (for top/bottom)                                  | F39-LJ1    | (provided with the F3SJ)  | 2 for an emitter, 2 for a receiver, total of 4 per set                                      |
|            | Flat side mounting bracket  | F39-LJ2    | Use these small-sized brackets when performing side mounting with standard mounting brackets, so that they do not protrude from the detection surface.                              | 2 for an emitter, 2 for a receiver, total of 4 per set                                      |
|            | Free-location mounting bracket (also used as standard intermediate bracket) | F39-LJ3    | Use these brackets for mounting on any place without using standard bracket.  | Two brackets per set (For details about the number of required brackets, refer to page 87.) |
|            | F3SN Intermediate Bracket Replacement Spacers                               | F39-LJ3-SN | When replacing the F3SN with the F3SJ, the mounting hole pitches in the Intermediate Brackets are not the same. This Spacer is placed between the mounting holes to mount the F3SJ. | 1 set with 2 pieces   |
|            | Top/bottom bracket B (Mounting hole pitch 19 mm)                            | F39-LJ4    | Mounting bracket used when replacing existing area sensors (other than F3SN or F3WN) with the F3SJ. For front mounting. Suitable for mounting hole pitch of 18 to 20 mm.            | 2 for an emitter, 2 for a receiver, total of 4 per set                                      |
|            | Bracket for replacing short-length F3SN                                     | F39-LJ5    | Mounting bracket used when an F3SN with protective height of 300 mm or less is replaced by an F3SJ.   | 2 for an emitter, 2 for a receiver, total of 4 per set                                      |
|            | Space-saving mounting bracket   | F39-LJ8    | Use these brackets to mount facing inward. Length is 12 mm shorter than the standard F39-LJ1 bracket.   | 2 for an emitter, 2 for a receiver, total of 4 per set                                      |
|            | Mounting bracket used when replacing an F3W-C.                              | F39-LJ9    | Mounting bracket used when replacing existing F3W-C series area sensors with the F3SJ. For front mounting or side mounting. Mounting hole pitch 16 mm.                              | 2 for an emitter, 2 for a receiver, total of 4 per set                                      |
|            | Top/bottom bracket C (mounting hole pitch 13 mm)                            | F39-LJ11   | Mounting bracket used when replacing existing area sensors having a mounting pitch of 13 mm with the F3SJ.  | 2 for an emitter, 2 for a receiver, total of 4 per set                                      |



## Key Cap for Muting

| Appearance | Model   | Remarks   |
|------------|---------|---|
|            | F39-CN6 | A cap to be attached to the main unit to enable muting function.<br>* Attach it to either an emitter or a receiver.(Case: orange) |

\* This product is for F3SJ-A only.





**Setting Tools \*1**

| Type   | Appearance  | Model       | Remarks   |
|--|---|-------------|---|
| "SD Manager" Setting Support Software for the F3SJ |  | F39-GWUM *2 | Accessories:<br>SD Manager CD-ROM (1),<br>F39-CN1 Branch Connector (1),<br>Connector Cap (1),<br>2-m Dedicated Cable (1),<br>0.3-m Dedicated Cable with Plug (1),<br>Instruction Manual |
| Setting Console                                    |  | F39-MC21 *3 | Accessories:<br>F39-CN1 Branch Connector (1),<br>Connector Cap (1),<br>2-m Dedicated Cable (1),<br>0.3-m Dedicated Cable with Plug (1),<br>Instruction Manual                           |




- \*1. The setting tools described above can be connected only to F3SJ-A models with built-in software of Ver. 2 or later.  
Note that the setting tools cannot be used with products shipped prior to December 2005.  
The setting tools cannot be used for setting parameters on the F3SJ-A□-TS series, but the monitoring function can be used.
- \*2. The PC tool supports Windows XP/7.
- \*3. This product is for use only with the F3SJ-A. It cannot be connected to conventional models of the F3SJ-E/B or F3SN-A series.  
Similarly, the F39-MC11 and F39-MT11 Dedicated Consoles for the F3SN-A cannot be connected to the F3SJ-A series.

**Protective Bar \*1 \*2**

| Type                                    | Appearance  | Model           | Remarks   |
|---|---|-----------------|---|
| Protective Bar                          |   | F39-PJ□□□□-S *3 | Main unit bracket (1),<br>rear mounting brackets (2),<br>including intermediate brackets to match protective height (0 to 2).   |
| Intermediate brackets for side mounting |  | F39-PJ-MS       | For side mounting, order to suit the desired protective height.<br>Protective height of up to 1,000 mm: 0 intermediate brackets<br>Protective height of 1,001 to 2,000 mm: 1 intermediate bracket<br>Protective height of 2,001 mm or more: 2 intermediate brackets |

- \*1. This product is for F3SJ-A only.
- \*2. When using for both emitter and receiver, order two sets.
- \*3. The same four digits indicating protective height that are used in the Sensor model number (□□□□) are used in the part of the Protector model number.

**Water-resistant Case (Set of 1 tube, packing, and dedicated connector cable) \*1 \*2 \*3**

| Appearance  | Specifications                         | Model           | Remarks  |
|---|--|-----------------|--|
|  | For emitter                            | F39-EJ□□□□-L *4 | Includes gray cable for emitter.   |
|   | For receiver                           | F39-EJ□□□□-D *4 | Includes black cable for receiver.   |
|  | Rear Mounting Brackets                 | F39-EJ-R *5     | Top/bottom 1 each, total of 2  |
|  | Side Mounting Brackets                 | F39-EJ-S *5     | Top/bottom 1 each, total of 2  |
| ---   | Series connection cable (for emitter)  | F39-JJR3WE-L    | Purchase additionally for series connection when using the Water-resistant Case. |
|   | Series connection cable (for receiver) | F39-JJR3WE-D    |  |

- \*1. This product is for F3SJ-A only.
- \*2. When using for both emitter and receiver, order two sets.
- \*3. There are restrictions to the application conditions depending on the protective height of the Curtain. Refer to the *Water-resistant Case* on page 75.
- \*4. The same four digits indicating protective height that are used in the Sensor model number (□□□□) are used in the part of the Protector model number.
- \*5. Be sure to purchase brackets with the Case to match the mounting direction (rear or side).

# F3SJ-A

## Specifications (For details, refer to the instruction manual or User's manual.)

F3SJ-A□□□□P14/P20/P30/P55/N14/N20/N30/N55

| Model   | PNP Output  | F3SJ-A□□□□P14   | F3SJ-A□□□□P20  | F3SJ-A□□□□P30                    | F3SJ-A□□□□P55              |
|---|---|---|--|----------------------------------|----------------------------|
|   | NPN Output  | F3SJ-A□□□□N14   | F3SJ-A□□□□N20  | F3SJ-A□□□□N30                    | F3SJ-A□□□□N55              |
| <b>Sensor type</b>  | Type 4 safety light curtain   |   |  |                                  |                            |
| <b>Version</b>  | Ver. 2  |   |  |                                  |                            |
| <b>Setting tool connection</b>  | Connectable   |   |  |                                  |                            |
| <b>Safety category</b>  | Safety purpose of category 4, 3, 2, 1, or B   |   |  |                                  |                            |
| <b>Detection capability</b>   | Opaque objects 14 mm in diameter  | Opaque objects 20 mm in diameter  | Opaque objects 30 mm in diameter   | Opaque objects 55 mm in diameter |                            |
| <b>Beam gap (P)</b>   | 9 mm  | 15 mm   | 25 mm  | 50 mm                            |                            |
| <b>Number of beams (n)</b>  | 26 to 140   | 16 to 100   | 10 to 100  | 6 to 50                          |                            |
| <b>Protective height (PH)</b>   | 245 to 1,271 mm   | 245 to 1,505 mm   | 245 to 2,495 mm  | 270 to 2,470 mm                  |                            |
| <b>Lens diameter</b>  | Diameter 5 mm   |   |  |                                  |                            |
| <b>Operating range *</b>  | 0.2 to 9 m (protective height 1,640 mm max.),<br>0.2 to 7 m (protective height 1,655 mm min.)<br>(Depending on the setting tool, the detection distance can be shortened to 0.5 m.)   |   |  |                                  |                            |
| <b>Response time (under stable light incident condition) (For details, see "Response Time" on page 74.)</b> | <b>ON to OFF</b>  | 1 set,<br>0245 to 983: 11 ms to 17.5 ms max.<br>1,055 or higher: 20 ms to 25 ms max.  | 1 set,<br>0245 to 1205: 10 ms to 15 ms max.<br>1235 or higher: 17.5 ms to 22.5 ms max. | 1 set: 10 ms to 17.5 ms max.     | 1 set: 10 ms to 13 ms max. |
|   | <b>OFF to ON</b>  | 1 set,<br>0245 to 983: 44 ms to 70 ms max.<br>1,055 or higher: 80 ms to 100 ms max.   | 1 set,<br>0245 to 1205: 40 ms to 60 ms max.<br>1235 or higher: 70 ms to 90 ms max.     | 1 set: 40 ms to 70 ms max.       | 1 set: 40 ms to 52 ms max. |
| <b>Startup waiting time</b>   | 2 s max. (2.2 s max. for series connection)   |   |  |                                  |                            |
| <b>Power supply voltage (Vs)</b>  | 24 VDC ±20% (ripple p-p10% max.)  |   |  |                                  |                            |
| <b>Current consumption (no load)</b>  | <b>Emitter</b>  | To 50 beams: 76 mA max., 51 to 100 beams: 106 mA max., 101 to 150 beams: 130 mA max., 151 to 180 beams: 153 mA max., 201 to 234 beams: 165 mA max.  |  |                                  |                            |
|   | <b>Receiver</b>   | To 50 beams: 68 mA max., 51 to 100 beams: 90 mA max., 101 to 150 beams: 111 mA max., 151 to 180 beams: 128 mA max., 201 to 234 beams: 142 mA max.   |  |                                  |                            |
| <b>Light source (emitted wavelength)</b>  | Infrared LED (870 nm)   |   |  |                                  |                            |
| <b>Effective aperture angle (EAA)</b>   | Based on IEC 61496-2. Within ±2.5° for both emitter and receiver when the detection distance is 3 m or over   |   |  |                                  |                            |
| <b>Safety outputs (OSSD)</b>  | <b>PNP outputs</b>  | Two PNP transistor outputs, load current 300 mA max., residual voltage 2 V max. (except for voltage drop due to cable extension), allowable capacity load 2.2 μF, leak current 1 mA max. (This can be different from traditional logic (ON/OFF) because safety circuit is used.)  |  |                                  |                            |
|   | <b>NPN Output</b>   | Two NPN transistor outputs, load current 300 mA max., residual voltage 2 V max. (except for voltage drop due to cable extension), allowable capacity load 2.2 μF, leak current 2mA max. (This can be different from traditional logic (ON/OFF) because safety circuit is used.)   |  |                                  |                            |
| <b>Auxiliary output 1 (Non-safety output)</b>   | <b>PNP outputs</b>  | One PNP transistor output, load current 300 mA max., residual voltage 2 V max. (except for voltage drop due to cable extension), leak current 1 mA max.   |  |                                  |                            |
|   | <b>NPN output</b>   | One NPN transistor output, load current 300 mA max., residual voltage 2 V max. (except for voltage drop due to cable extension), leak current 1 mA max.   |  |                                  |                            |
| <b>Auxiliary output 2 (Non-safety output. Function for Basic System.)</b>                                   | <b>PNP outputs</b>  | One PNP transistor output, load current 50 mA max., residual voltage 2 V max. (except for voltage drop due to cable extension), leak current 1 mA max.  |  |                                  |                            |
|   | <b>NPN output</b>   | One NPN transistor output, load current 50 mA max., residual voltage 2 V max. (except for voltage drop due to cable extension), leak current 1 mA max.  |  |                                  |                            |
| <b>External indicator output (Non-safety output)</b>  | Available indicators<br><ul style="list-style-type: none"> <li>Incandescent lamp: 24 VDC, 3 to 7 W</li> <li>LED lamp: Load current 10 mA to 300 mA max., leak current 1 mA max.</li> </ul> (To use an external indicator, an F39-JJ3N universal indicator cable or an F39-A01P-PAC dedicated external indicator kit is required.) |   |  |                                  |                            |
| <b>Output operation mode</b>  | <b>Receiver</b>   | Safety output 1, 2: ON when receiving light<br>Auxiliary output 1: Inverse of safety output signals (Operation mode can be changed with the setting tool.)<br>External indicator output 1: Inverse of safety output signals for a basic system (Operation mode can be changed with the setting tool.), ON when muting/override for a muting system (Operation mode can be changed with the setting tool.) |  |                                  |                            |
|   | <b>Emitter</b>  | Auxiliary output 2: Turns ON when the point of 30,000 operating hours is reached (Operation mode can be changed with the setting tool.)<br>External indicator output 2: ON when lock-out for a basic system (Operation mode can be changed with the setting tool.)<br>ON when muting/override for a muting system (Operation mode can be changed with the setting tool.)                                  |  |                                  |                            |

\* Use of the Spatter Protection Cover causes a 10% maximum sensing distance attenuation.

| Model                                   | PNP output   | F3SJ-A□□□□P14   | F3SJ-A□□□□P20 | F3SJ-A□□□□P30 | F3SJ-A□□□□P55 |
|---|--|---|---------------|---------------|---------------|
|   | NPN output   | F3SJ-A□□□□N14   | F3SJ-A□□□□N20 | F3SJ-A□□□□N30 | F3SJ-A□□□□N55 |
| Input voltage                           | PNP output   | Test input, interlock selection input, reset input, and muting input are all<br>ON voltage: 9 to 24 V (Vs) (sink current: 3 mA max.), OFF voltage: 0 to 1.5 V, or open<br>External device monitoring input<br>ON voltage: 9 to 24 V (Vs) (sink current: 5 mA max.), OFF voltage: 0 to 1.5 V, or open  |               |               |               |
|   | NPN output   | Test input, interlock selection input, reset input, and muting input are all<br>ON voltage: 0 to 1.5 V (short-circuit current 3 mA max.), OFF voltage: 9 to 24 V, or open<br>External device monitoring input<br>ON voltage: 0 to 1.5 V (short-circuit current 5 mA max.), OFF voltage: 9 to 24 V, or open  |               |               |               |
| Indicator                               | Emitter  | Light intensity level indicators (green LED x 2, orange LED x 3): ON based on the light intensity<br>Error mode indicators (red LED x 3): Blink to indicate error details<br>Power indicator (green LED x 1): ON while power is on<br>Interlock indicator (yellow LED x 1): ON while under interlock, blinks at lockout.<br>External device monitoring indicator (muting input 1 indicator), Blanking/test indicator (muting input 2 indicator) (green LED x 2): ON/flash according to function |               |               |               |
|   | Receiver   | Light intensity level indicators (green LED x 2, orange LED x 3): ON based on the light intensity<br>Error mode indicators (red LED x 3): Blink to indicate error details<br>OFF output indicator (red LED x 1): ON when safety output is OFF, blinks at lockout.<br>ON output indicator (green LED x 1): ON while safety output is ON<br>Muting error indicator, Blanking /test indicator (green LED x 2): ON/flash according to function  |               |               |               |
| Mutual interference prevention function | Interference light prevention algorithm, sensing distance change function  |   |               |               |               |
| Series connection                       | Time division emission by series connection<br><ul style="list-style-type: none"> <li>Number of connections: up to 4 sets (F3SJ-A only) F3SJ-E, F3SJ-B and F3SJ-TS cannot be connected.</li> <li>Total number of beams: up to 400 beams</li> <li>Maximum cable length for 2 sets: no longer than 15 m</li> <li>Response time under connection: Refer to page 74</li> </ul>   |   |               |               |               |
| Test function                           | <ul style="list-style-type: none"> <li>Self test (at power-ON and at power distribution)</li> <li>External test (emission stop function by test input)</li> </ul>  |   |               |               |               |
| Safety-related functions                | <ul style="list-style-type: none"> <li>Start interlock, restart interlock (Must be set with a setting tool when the muting function is used.)</li> <li>External device monitor</li> <li>Muting (Lamp burnout detection, override function included. F39-CN6 key cap for muting is required.)</li> <li>Fixed blanking (must be set by a setting tool)</li> <li>Floating blanking (must be set by a setting tool)</li> </ul>   |   |               |               |               |
| Connection method                       | Connector method (M12, 8-pin)  |   |               |               |               |
| Protection circuit                      | Output short-circuit protection, and power supply reverse polarity protection  |   |               |               |               |
| Ambient temperature                     | Operating: -10 to 55°C (no icing), Storage: -30 to 70°C  |   |               |               |               |
| Ambient humidity                        | Operating: 35% to 85% (no condensation), Storage: 35% to 95%   |   |               |               |               |
| Operating ambient light intensity       | Incandescent lamp: receiving-surface light intensity of 3,000 lx max., Sunlight: receiving-surface light intensity of 10,000 lx max.   |   |               |               |               |
| Insulation resistance                   | 20 MΩ min. (at 500 VDC)  |   |               |               |               |
| Withstand voltage                       | 1,000 VAC 50/60 Hz, 1 min  |   |               |               |               |
| Degree of protection                    | IP65 (IEC 60529)   |   |               |               |               |
| Vibration resistance                    | Malfunction: 10 to 55 Hz, Multiple amplitude of 0.7 mm, 20 sweeps in X, Y, and Z directions  |   |               |               |               |
| Shock resistance                        | Malfunction: 100 m/s <sup>2</sup> , 1,000 times each in X, Y, and Z directions   |   |               |               |               |
| Material                                | Casing (including metal parts on both ends): Aluminum, zinc die-cast<br>Cap: ABS resin, Optical cover: PMMA resin (acrylic), Cable: Oil resistant PVC  |   |               |               |               |
| Weight (packaged)                       | Calculate using the following expressions:<br>(1) For F3SJ-A□□□□14, weight (g) = (protective height) x 1.7 + α<br>(2) For F3SJ-A□□□□20/F3SJ-A□□□□25/F3SJ-A□□□□30, weight (g) = (protective height) x 1.5 + α<br>(3) For F3SJ-A□□□□55, weight (g) = (protective height) x 1.4 + α<br>The values for α are as follows:<br>Protected height 245 to 596 mm: = 1,100    protected height 1,660 to 2,180 mm: = 2,400<br>Protected height 600 to 1,130 mm: = 1,500    protected height 2,195 to 2,500 mm: = 2,600<br>Protected height 1,136 to 1,658 mm: = 2,000  |   |               |               |               |
| Accessories                             | Instruction manual, standard mounting bracket (F39-LJ1 bracket for top/bottom mounting), mounting brackets (intermediate) (*), error mode label, User's Manual (CD-ROM)<br>* Number of intermediate brackets depends on protective height of F3SJ.<br><ul style="list-style-type: none"> <li>For protective height from 600 to 1,130 mm : 1 set for each of the emitter and receiver is included</li> <li>For protective height from 1,136 to 1,658 mm : 2 sets for each of the emitter and receiver are included</li> <li>For protective height from 1,660 to 2,180 mm : 3 sets for each of the emitter and receiver are included</li> <li>For protective height from 2,195 to 2,500 mm : 4 sets for each of the emitter and receiver are included</li> </ul> |   |               |               |               |
| Applicable standards                    | IEC 61496-1, EN 61496-1, UL 61496-1, Type 4 ESPE (Electro-Sensitive Protective Equipment)<br>IEC 61496-2, CLC/TS 61496-2, UL 61496-2, Type 4 AOPD (Active Opto-electronic Protective Devices)<br>IEC 61508-1 to -3, EN 61508-1 to -3 SIL3<br>ISO 13849-1: 2006, EN ISO 13849-1: 2008 (PLe/Safety Category 4)<br>UL 508, UL 1998, CAN/CSA C22.2 No.14, CAN/CSA C22.2 No.0.8   |   |               |               |               |

## Response Time

| Model            | Protected Height (mm) | Number of Beams | Response time ms (ON to OFF) | Response time ms (OFF to ON) |
|------------------|-----------------------|-----------------|------------------------------|------------------------------|
| F3SJ-A□14 Series | 245 to 263            | 26 to 28        | 11                           | 44                           |
|                  | 281 to 389            | 30 to 42        | 12                           | 48                           |
|                  | 407 to 497            | 44 to 54        | 13                           | 52                           |
|                  | 515 to 605            | 56 to 66        | 14                           | 56                           |
|                  | 623 to 731            | 68 to 80        | 15                           | 60                           |
|                  | 767 to 983            | 84 to 108       | 17.5                         | 70                           |
|                  | 1,055 to 1,271        | 116 to 140      | 20                           | 80                           |
| F3SJ-A□20 Series | 245                   | 16              | 10                           | 40                           |
|                  | 275 to 425            | 18 to 28        | 11                           | 44                           |
|                  | 455 to 635            | 30 to 42        | 12                           | 48                           |
|                  | 665 to 815            | 44 to 54        | 13                           | 52                           |
|                  | 845 to 995            | 56 to 66        | 14                           | 56                           |
|                  | 1,025 to 1,205        | 68 to 80        | 15                           | 60                           |
|                  | 1,235 to 1,505        | 82 to 100       | 17.5                         | 70                           |
| F3SJ-A□30 Series | 245 to 395            | 10 to 16        | 10                           | 40                           |
|                  | 420 to 720            | 17 to 29        | 11                           | 44                           |
|                  | 745 to 1,045          | 30 to 42        | 12                           | 48                           |
|                  | 1,070 to 1,295        | 43 to 52        | 13                           | 52                           |
|                  | 1,395 to 1,620        | 56 to 65        | 14                           | 56                           |
|                  | 1,745 to 1,995        | 70 to 80        | 15                           | 60                           |
|                  | 2,120 to 2,495        | 85 to 100       | 17.5                         | 70                           |
| F3SJ-A□55 Series | 270 to 770            | 6 to 16         | 10                           | 40                           |
|                  | 820 to 1,420          | 17 to 29        | 11                           | 44                           |
|                  | 1,470 to 2,070        | 30 to 42        | 12                           | 48                           |
|                  | 2,120 to 2,470        | 43 to 50        | 13                           | 52                           |

**Note:** Use the following expressions for series connection.

For 2-set series connection:

Response time (ON to OFF): Response time of the 1st unit + Response time of the 2nd unit - 1 (ms), Response time (OFF to ON): Response time calculated by the above x 4 (ms)

For 3-set series connection:

Response time (ON to OFF):

Response time of the 1st unit + Response time of the 2nd unit + Response time of 3rd unit - 5 (ms), Response time (OFF to ON): Response time calculated by the above x 5 (ms)  
(For models with the "-TS" suffix, multiply the response time obtained by the above x 5 (ms), or use 200 ms, whichever is less.)

For 4-set series connection:

Response time (ON to OFF): Response time of the 1st unit + Response time of the 2nd unit + Response time of the 3rd unit + Response time of the 4th unit - 8 (ms)

Response time (OFF to ON): Response time calculated by the above x 5 (ms)

## Cable Extension Length

Total cable extension length must be no greater than the lengths described below.

**When the F3SJ and an external power supply are directly connected, or when the F3SJ is connected to a G9SA-300-SC.**

| Condition  | 1 set | 2 sets | 3 sets | 4 sets |
|--|-------|--------|--------|--------|
| Using incandescent lamp for auxiliary output and external indicator output | 45 m  | 40 m   | 30 m   | 20 m   |
| Not using incandescent lamp  | 100 m | 60 m   | 45 m   | 30 m   |

**When connected to the F3SP-B1P**

| Condition   | 1 set | 2 sets | 3 sets | 4 sets |
|---|-------|--------|--------|--------|
| Using incandescent lamp for external indicator output 2 | 40 m  | 30 m   | 25 m   | 20 m   |
| Using incandescent lamp for external indicator output 1 | 60 m  | 45 m   | 30 m   | 20 m   |
| Using incandescent lamp for auxiliary output 1          |       |        |        |        |
| Not using incandescent lamp                             | 100 m | 60 m   | 45 m   | 30 m   |

**Note:** Keep the cable length within the rated length. Failure to do so is dangerous as it may prevent safety functions from operating normally.

## Accessories

### Control Unit

| Item                  | Model              | F3SP-B1P  |
|-----------------------|--------------------|---|
| Applicable sensor     |                    | F3SJ-B/A (Only for PNP output type) *                     |
| Power supply voltage  |                    | 24 VDC±10%  |
| Power consumption     |                    | DC1.7 W max. (not including sensor's current consumption) |
| Operation time        |                    | 100 ms max. (not including sensor's response time)        |
| Response time         |                    | 10 ms max. (not including sensor's response time)         |
| Relay output          | Number of contacts | 3NO+1NC   |
|                       | Rated load         | 250 VAC 5 A (cos φ = 1), 30 VDC 5 A L/R = 0 ms            |
|                       | Rated current      | 5 A   |
| Connection type       | Between sensors    | M12 connector (8-pin)                                     |
|                       | Others             | Terminal block  |
| Weight (packed state) |                    | Approx. 280 g   |
| Accessories           |                    | Instruction manual  |

\*NPN output type cannot be connected. Also, the system cannot be used as a muting system.

### Laser Pointer

| Item                          | Model | F39-PTJ   |
|-------------------------------|-------|---|
| Applicable sensor             |       | F3SJ Series   |
| Power supply voltage          |       | 4.65 or 4.5 VDC   |
| Battery                       |       | Three button batteries (SR44 or LR44)   |
| Battery life *                |       | SR44: 10 hours of continuous operation, LR44: 6 hours of continuous operation                     |
| Light source                  |       | Red semiconductor laser (wavelength: 650 nm, 1 mW max. JIS class 2, EN/IEC class 2, FDA class II) |
| Spot diameter (typical value) |       | 6.5 mm at 10 m  |
| Ambient temperature           |       | Operating: 0 to 40°C Storage: -15 to 60°C (with no icing or condensation)                         |
| Ambient humidity              |       | Operating and storage: 35% to 85% (with no condensation)  |
| Material                      |       | Laser module case: aluminum Mounting bracket: aluminum and stainless                              |
| Weight                        |       | Approx. 220 g (packed)  |
| Accessories                   |       | Laser safety standard labels (EN: 1, FDA: 3) Button batteries (SR44: 3), instruction manual       |

\* Battery life varies depending on a battery used.

### Dedicated External Indicator Set

| Item                 | Model | F39-A01PR-PAC  | F39-A01PG-PAC   | F39-A01PY-PAC  |
|----------------------|-------|--|---|--|
| Applicable sensor    |       | F3SJ-A (Common for PNP/NPN output type. Can be attached to emitters and/or receivers)                              |   |  |
| Light source         |       | Red LED  | Green LED   | Yellow LED   |
| Power supply voltage |       | 24 VDC±10% (supplied by sensor)  |   |  |
| Consumption current  |       | 50 mA max. (supplied by sensor)  |   |  |
| Connection type      |       | Dedicated accessory connector cable (Sensor side: Dedicated 10-pin connector, Indicator side: M12 8-pin connector) |   |  |
| Set details          |       | Indicator (red),<br>Dedicated connector cable (0.1 m),<br>Dedicated mounting bracket (1 for each)                  | Indicator (green),<br>Dedicated connector cable (0.1 m),<br>Dedicated mounting bracket (1 for each) | Indicator (yellow),<br>Dedicated connector cable (0.1 m),<br>Dedicated mounting bracket (1 for each) |

### Water-resistant Case

| Item                  | Model | F39-EJ□□□□-L, F39-EJ□□□□-D  |
|-----------------------|-------|---|
| Applicable sensor     |       | F3SJ-A Series Curtains with a protective height of 600 mm or shorter.   |
| Ambient temperature   |       | -10 to 55°C (operation and storage)   |
| Mounting direction    |       | No restrictions   |
| Operating range       |       | 0.2 to 7 m (for a protective height of 1,631 mm max.), 0.2 to 5 m (for a protective height of 1,655 mm min.)  |
| Degree of protection  |       | IP67 (IEC 60529) (When assembled according to the application precautions)  |
| Material              |       | Case: Acrylic resin, Rubber: Nitrile rubber, M5 bolt: SUSXM7, M4 bolt: SUS316L, Cable: Oil-resistant PVC, Plate: SUS304, Mounting Bracket (optional): SUS304  |
| Weight (packed state) |       | Calculation formula: Weight (g) = 1.5 x □□□□ + 300 (□□□□ stands for the four digits of the model number (protective height))<br>(The optional Mounting Brackets come in a set of two, and weigh 120 g. This weight is not included in the above formula.) |

#### Note: 1. Vibration

When using Curtains with a protective height of 605 mm or more, the vibration performance of the applicable sensor is reduced. Do not use these Curtains in locations that are subject to vibration.

#### 2. Operating range

When using these cases, the operating range of the applicable sensor is reduced. Check the specifications prior to use.

#### 3. Mounting direction

When using Curtains with a protective height of 605 mm or more, some slackness occurs due to the weight of the Curtain. For this reason, mount these Curtains only in the vertical direction.

**Mounting direction (the cable end and terminating end can be positioned in either direction)**

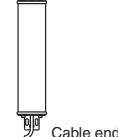
**Horizontal direction**

Terminating end Cable end



**Vertical direction**

Terminating end

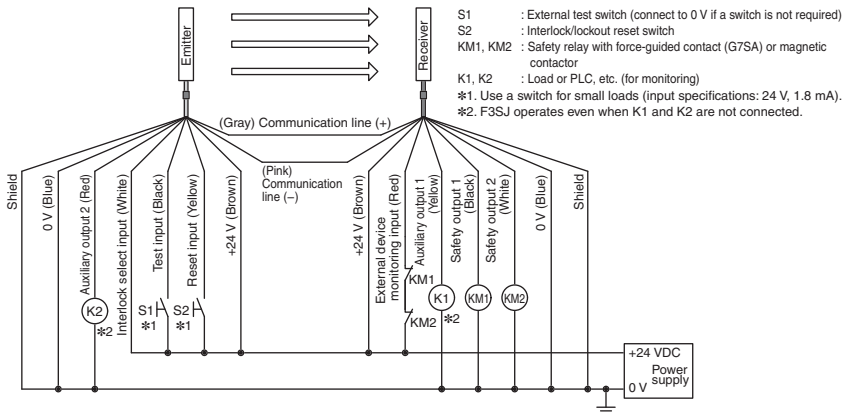


## Connections

### Basic Wiring Diagram

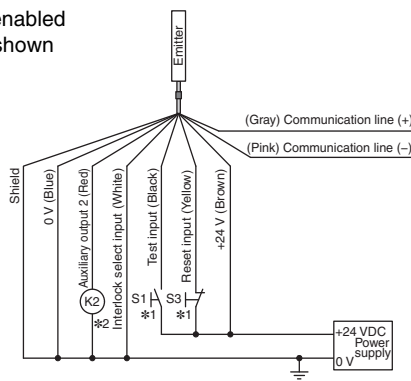
#### [PNP Output]

Wiring when using manual reset mode, external device monitoring



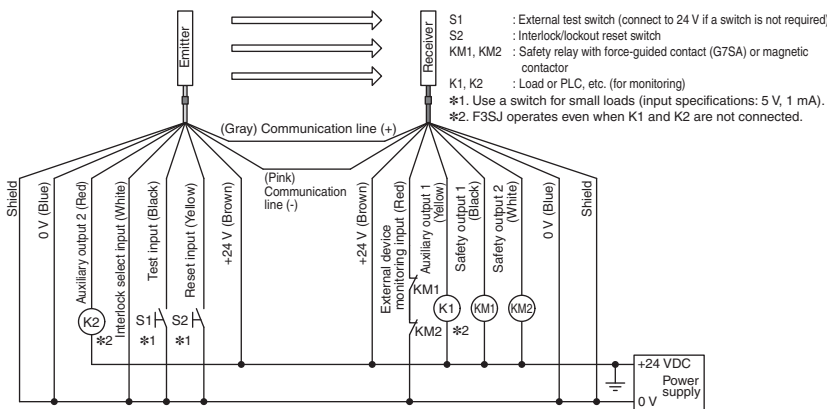
#### Wiring for auto reset mode

- The auto reset mode will be enabled when the emitter is wired as shown below.



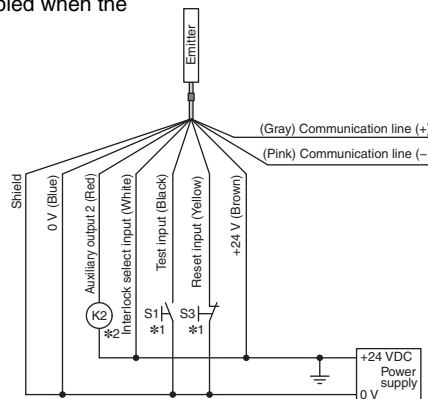
#### [NPN Output]

Wiring when using manual reset mode, external device monitoring



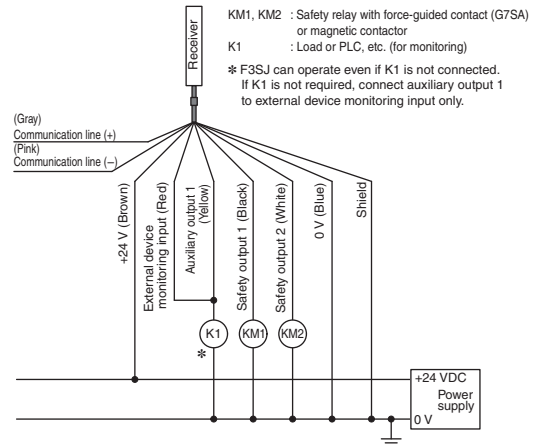
#### Wiring for auto reset mode

- The auto reset mode will be enabled when the emitter is wired as shown below.



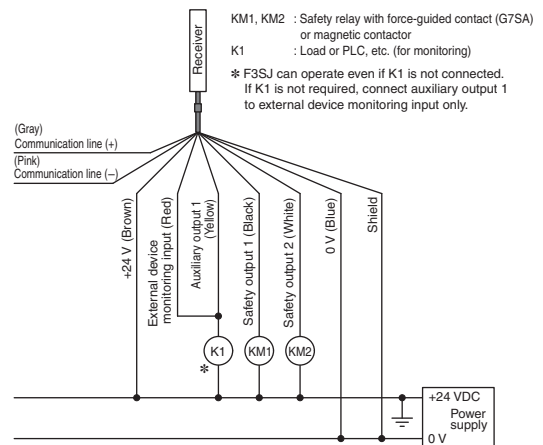
#### Wiring when the external device monitoring function will not be used

- Use a setting tool to set the external device monitoring function to "Disabled."
- When using an auxiliary output 1 that has not been changed (output operation mode is "control output data," and inverse of safety output signals is "Enabled), the external device monitoring function will be disabled when auxiliary output 1 and the external device monitoring input are connected as shown below.



#### Wiring when the external device monitoring function will not be used

- Use a setting tool to set the external device monitoring function to "Disabled."
- When using an auxiliary output 1 that has not been changed (output operation mode is "safety output data," and inverse of control output signals is "Enabled), the external device monitoring function will be disabled when auxiliary output 1 and the external device monitoring input are connected as shown below.

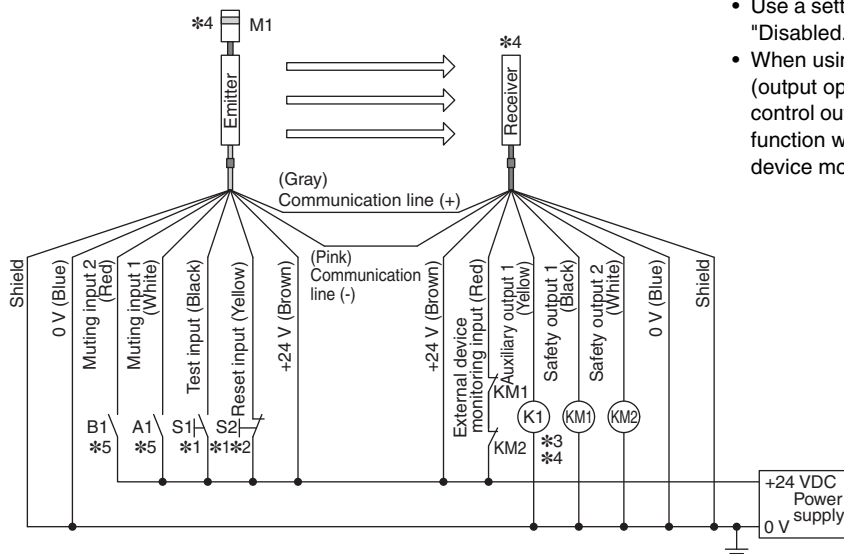




## Basic Wiring Diagram for Muting System

### [PNP Output]

#### Wiring when using muting and external device monitoring functions



- S1 : External test switch (connect to 0 V if a switch is not required)
- S2 : Lockout reset switch (connect to 24 V if a switch is not required)
- A1 : Contact by muting sensor A1
- B1 : Contact by muting sensor B1
- KM1, KM2 : Safety relay with force-guided contact (G7SA) or magnetic contactor
- K1 : Load or PLC, etc. (for monitoring)
- M1 : Muting lamp

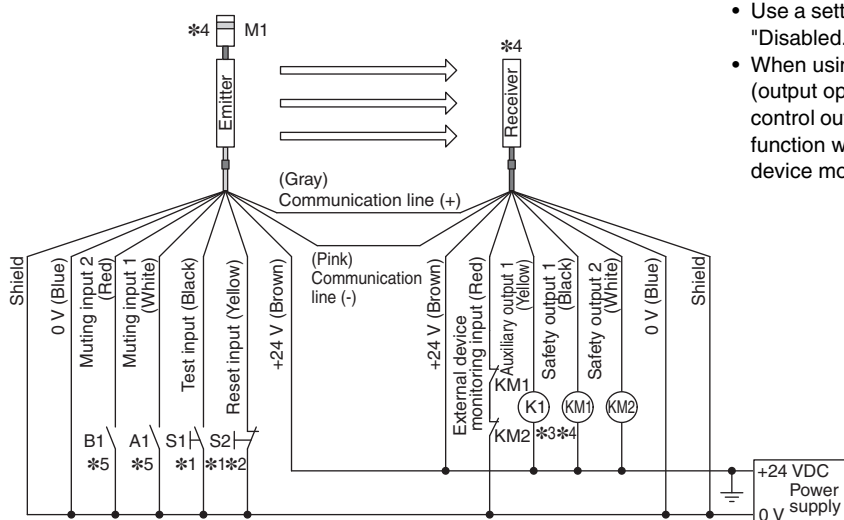
- \*1. Use a switch for small loads (input specifications: 24 V, 1.8 mA).
- \*2. When using the interlock function, this also functions as an interlock reset switch. (Must be set with a setting tool.)
- \*3. F3SJ operates even when K1 is not connected.
- \*4. Connect the muting lamp to either the external indicator output or auxiliary output 1 for the emitter or the receiver. When connecting the muting lamp to auxiliary output 1, the parameter must be changed with a setting tool.
- \*5. Two-wire type muting sensor cannot be used.

#### When external device monitoring function is not required

- Use a setting tool to set the external device monitoring function to "Disabled."
- When using an auxiliary output 1 that has not been changed (output operation mode is "safety output data," and inverse of control output signals is "Enabled"), the external device monitoring function will be disabled when auxiliary output 1 and the external device monitoring input are connected.

### [NPN Output]

#### Wiring when using muting and external device monitoring functions



- S1 : External test switch (connect to 24 V if a switch is not required)
- S2 : Lockout reset switch (connect to 0 V if a switch is not required)
- A1 : Contact by muting sensor A1
- B1 : Contact by muting sensor B1
- KM1, KM2 : Safety relay with force-guided contact (G7SA) or magnetic contactor
- K1 : Load or PLC, etc. (for monitoring)
- M1 : Muting lamp

- \*1. Use a switch for small loads (input specifications: 5 V, 1 mA).
- \*2. When using the interlock function, this also functions as an interlock reset switch. (Must be set with a setting tool.)
- \*3. F3SJ operates even when K1 is not connected.
- \*4. Connect the muting lamp to either the external indicator output or auxiliary output 1 for the emitter or the receiver. When connecting the muting lamp to auxiliary output 1, the parameter must be changed with a setting tool.
- \*5. Two-wire type muting sensor cannot be used.

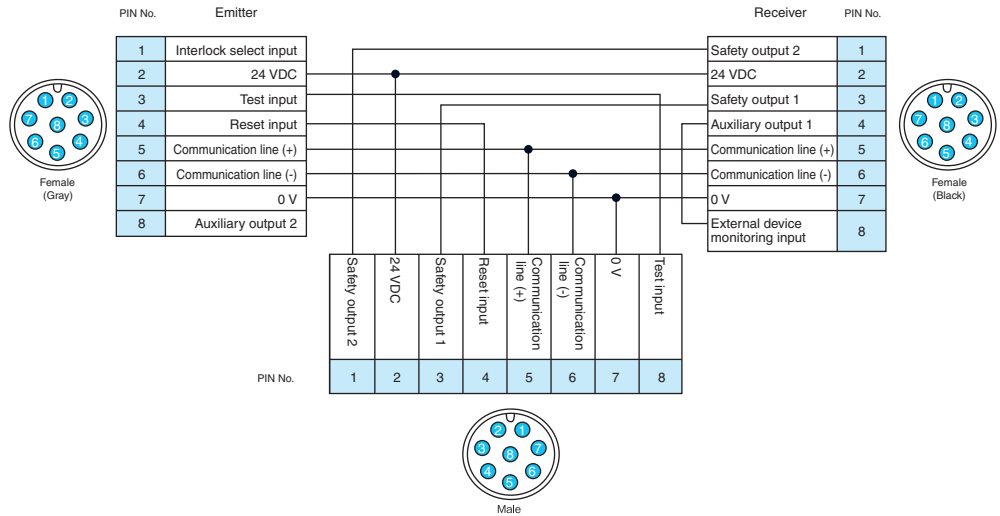
#### When external device monitoring function is not required

- Use a setting tool to set the external device monitoring function to "Disabled."
- When using an auxiliary output 1 that has not been changed (output operation mode is "safety output data," and inverse of control output signals is "Enabled"), the external device monitoring function will be disabled when auxiliary output 1 and the external device monitoring input are connected.

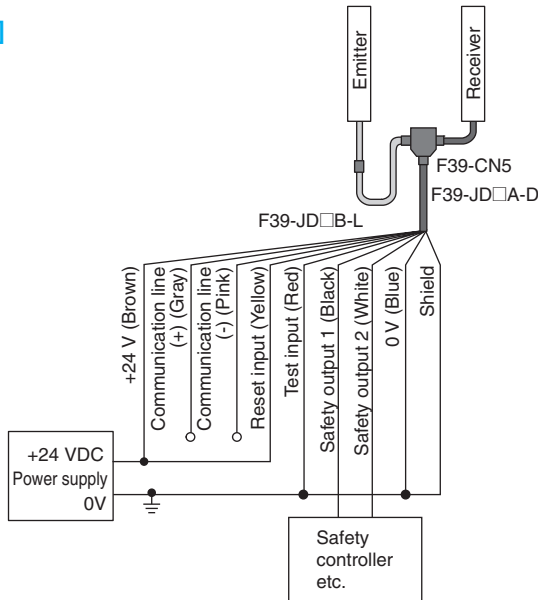
## Wiring Diagram When Using Simple Wiring System



Internal wiring of F39-CN5 simple wiring connector



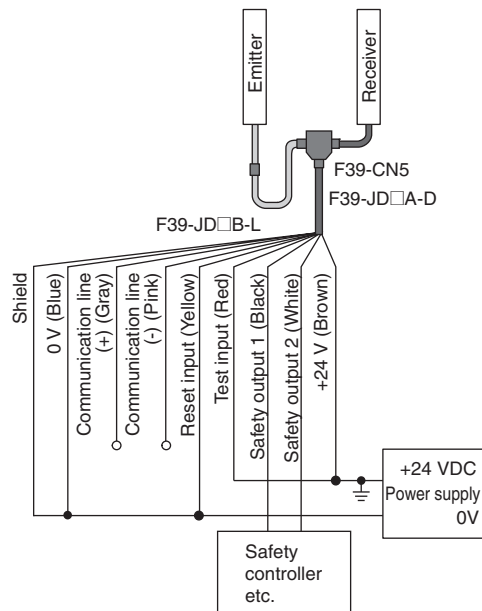
### [PNP Output]



Controllers connectable with PNP output F3SJ series

| Safety controller         | Model       |
|---------------------------|-------------|
| Safety Network Controller | NE1A series |
| Safety Controller         | G9SP series |
| Flexible Safety Unit      | G9SX series |
| Safety Relay Unit         | G9SA series |

### [NPN Output]



Controller connectable with NPN output F3SJ series

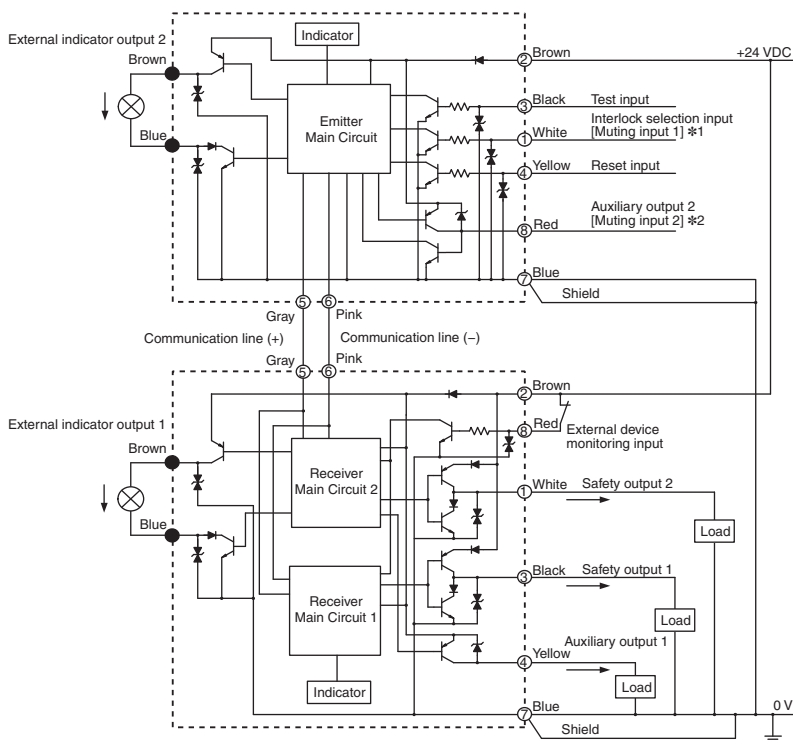
| Safety controller | Model      |
|-------------------|------------|
| Safety Relay Unit | G9SA-301-P |

# Input/Output Circuit Diagram

## Entire Circuit Diagram

### [PNP Output]

The numbers in circles indicate the connectors' pin numbers.  
 The black circles indicate connectors for series connection.  
 The words in brackets ( [ ] ) indicate the signal name for muting system.

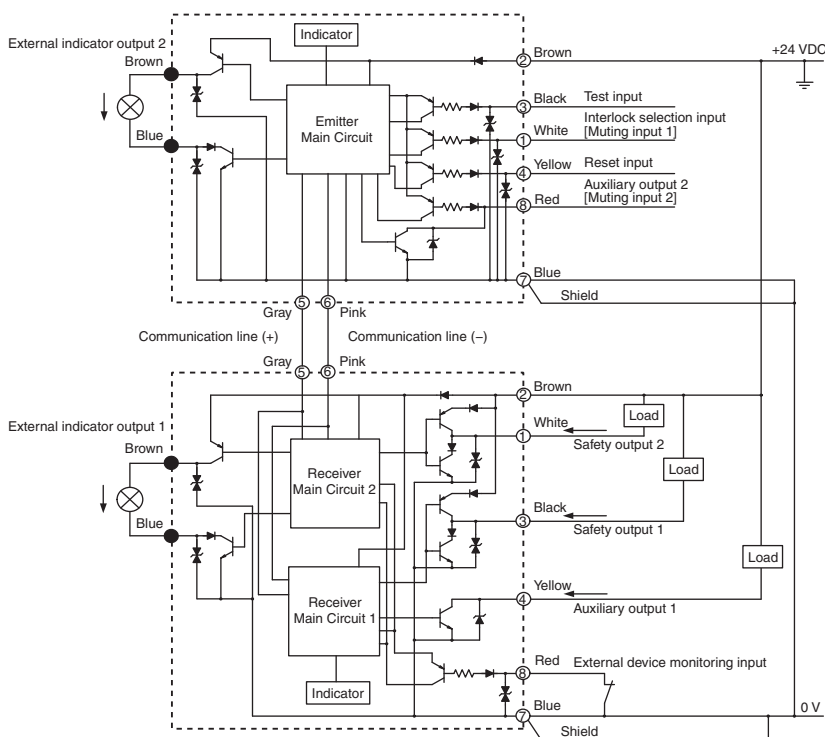


\*1. Open or muting input 1 for models with the "-TS" suffix.

\*2. Open or muting input 2 for models with the "-TS" suffix.

### [NPN Output]

The numbers in circles indicate the connectors' pin numbers.  
 The black circles indicate connectors for series connection.  
 The words in brackets ( [ ] ) indicate the signal name for muting system.



# F3SJ-A

## Connection Circuit Examples

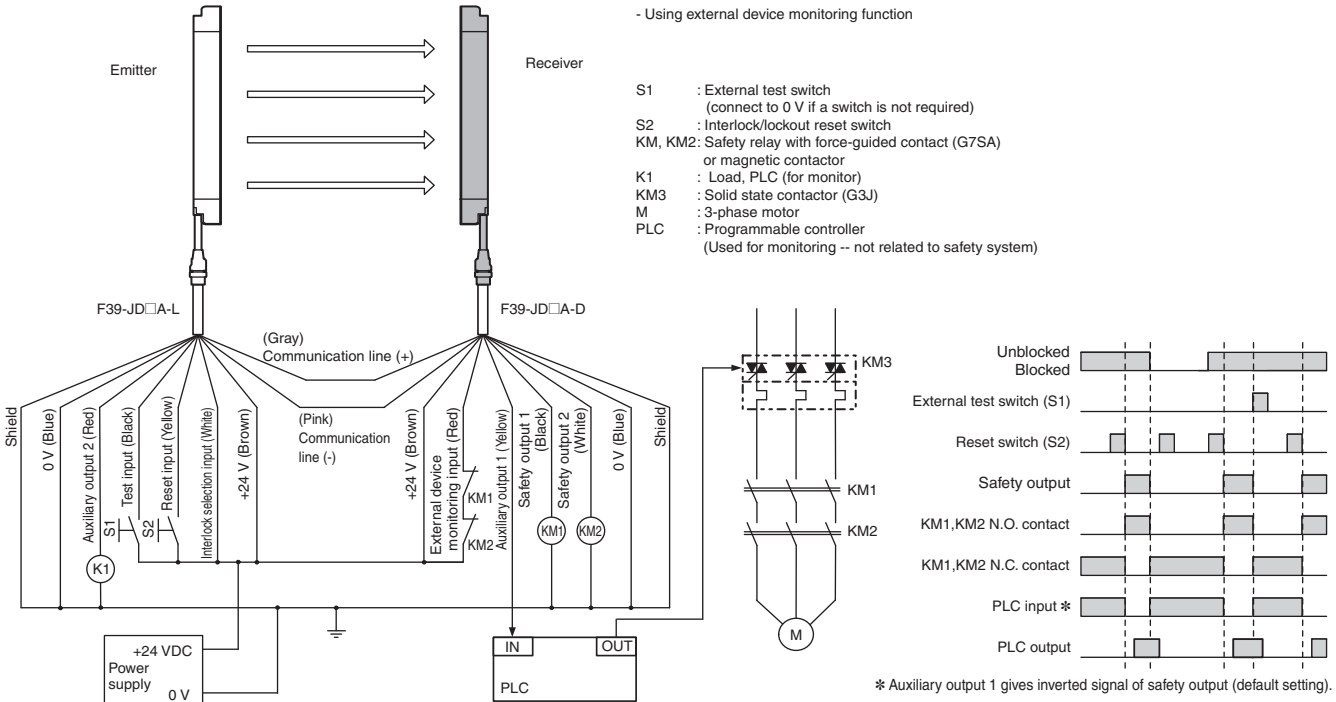
### Wiring for single F3SJ-A application [PNP Output]

| PL/safety category | Model   | Stop category | Reset  |
|--------------------|---|---------------|--------|
| PLe/4 equivalent   | Safety Light Curtain F3SJ-A□□□□P□□<br>Safety Relay G7SA | 0             | Manual |

**Note:** The above PL is only the evaluation result of the example. The PL must be evaluated in an actual application by the customer after confirming the usage conditions.

#### ● Application Overview

- The power supply to the motor M is turned OFF when the beam is blocked.
- The power supply to the motor M is kept OFF until the beams are unblocked and the reset switch S2 is pressed.



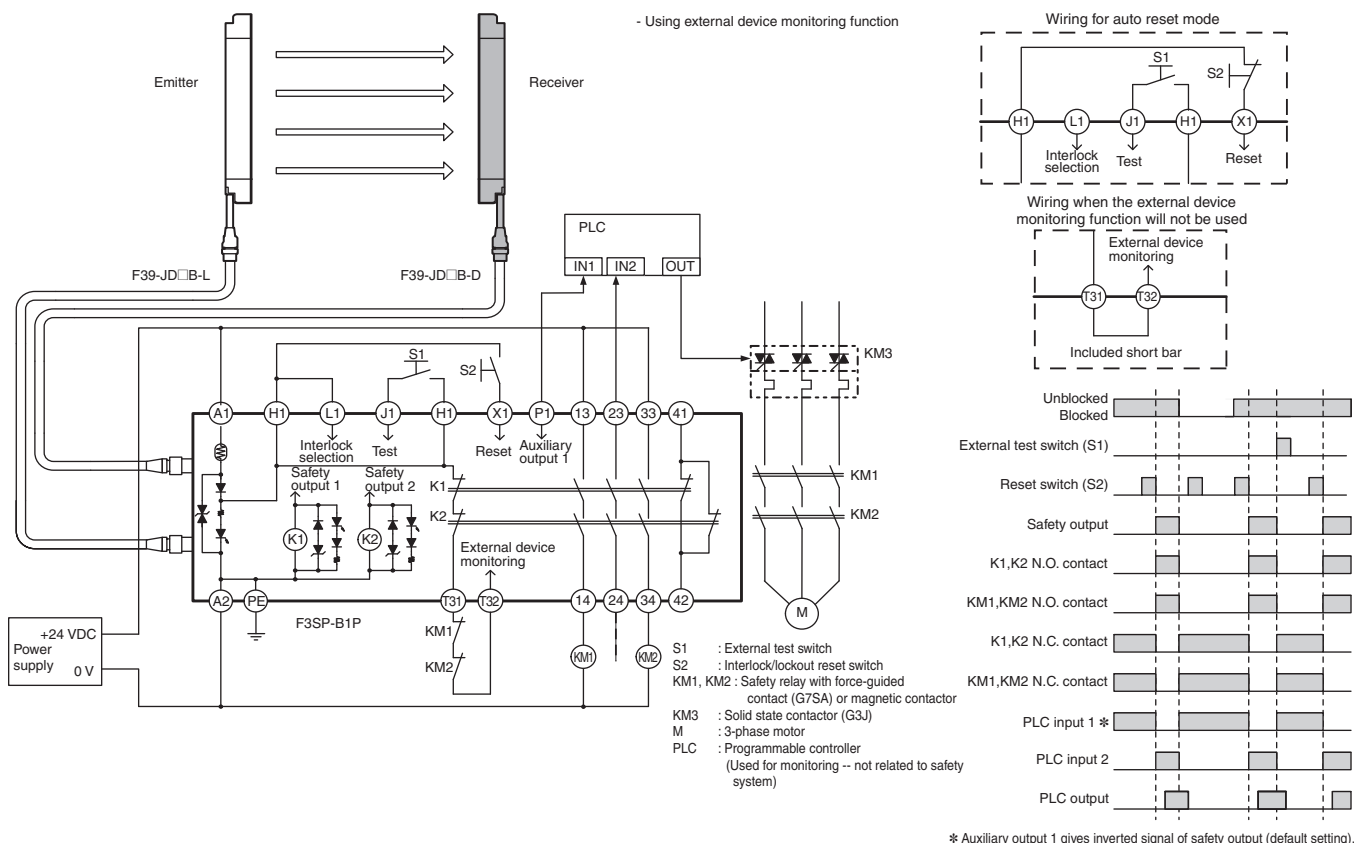
Wiring for connection with a controller F3SP-B1P [PNP Output]

| PL/safety category | Model  | Stop category | Reset  |
|--------------------|--|---------------|--------|
| PLe/4 equivalent   | Safety Light Curtain F3SJ-A□□□□P□□<br>Control Unit F3SP-B1P<br>Safety Relay G7SA | 0             | Manual |

**Note:** The above PL is only the evaluation result of the example. The PL must be evaluated in an actual application by the customer after confirming the usage conditions.

● Application Overview

- The power supply to the motor M is turned OFF when the beam is blocked.
- The power supply to the motor M is kept OFF until the beams are unblocked and the reset switch S2 is pressed.



**Note:** It cannot be used as a muting system when F3SP-B1P is used.

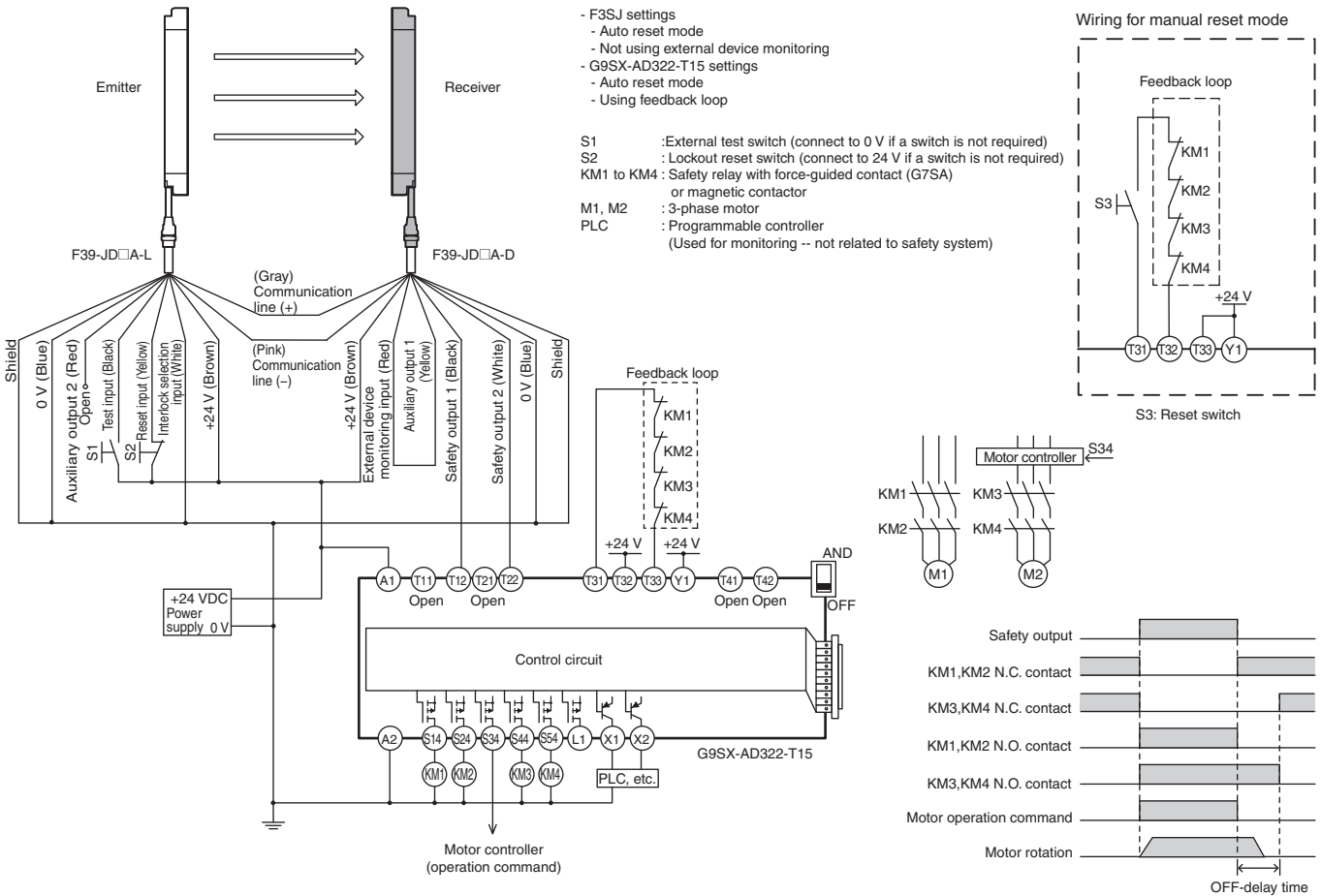
## Wiring for connection with a controller G9SX-AD322-T15 [PNP Output]

| PL/safety category | Model  | Stop category  | Reset |
|--------------------|--|----------------|-------|
| PLe/4 equivalent   | Safety Light Curtain F3SJ-A□□□□P□□<br>Flexible Safety Unit G9SX-AD322-T15<br>Safety Relay G7SA | M1: 0<br>M2: 1 | Auto  |

**Note:** The above PL is only the evaluation result of the example. The PL must be evaluated in an actual application by the customer after confirming the usage conditions.

### Application Overview

- The power supply to the motor M1 is turned OFF immediately when the beam is blocked, and stop command is sent to the motor controller for the motor M2.
- The power supply to the motor M2 is turned OFF after OFF-delay time.
- The power supply to the motor M1 and M2 is kept OFF until the beams are unblocked.





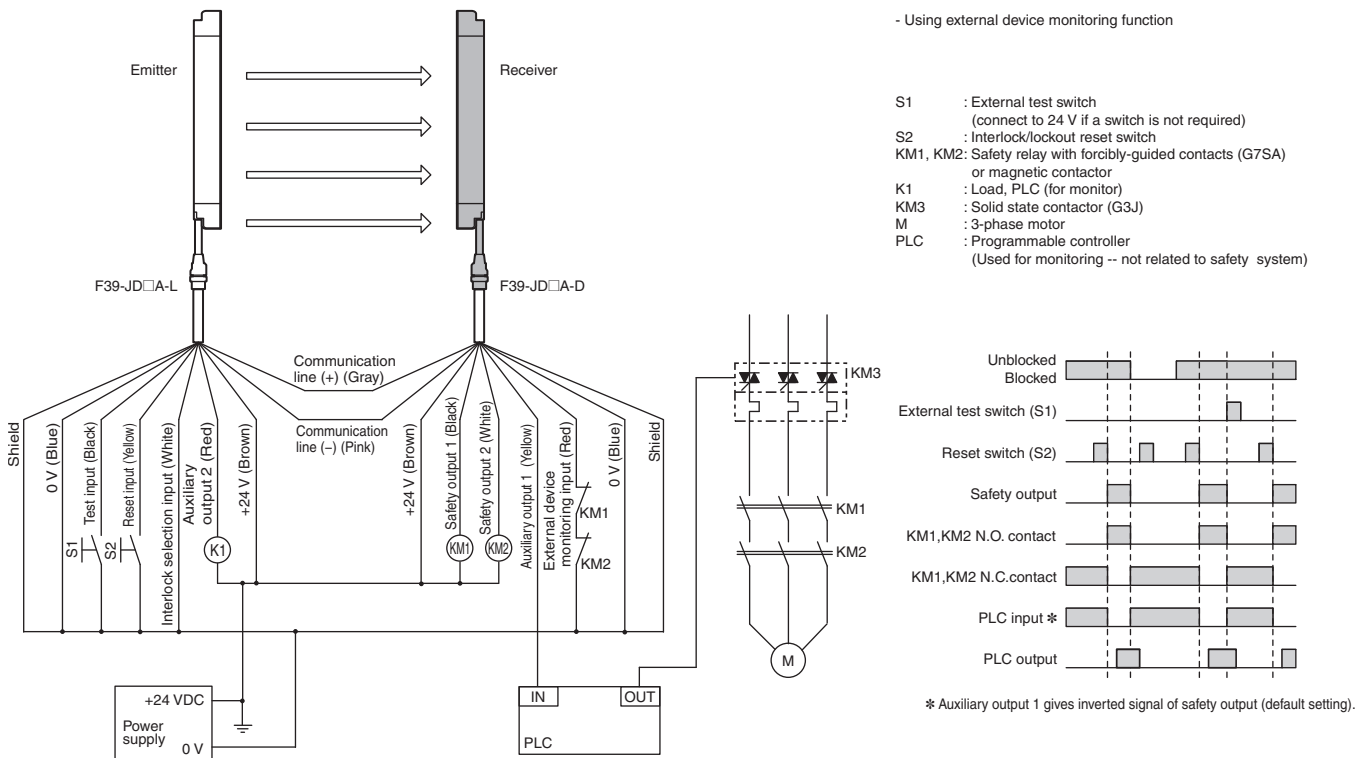
Wiring for single F3SJ-A application [NPN Output]

| PL/safety category | Model   | Stop category | Reset  |
|--------------------|---|---------------|--------|
| PLe/4 equivalent   | Safety Light Curtain F3SJ-A□□□□N□□<br>Safety Relay G7SA | 0             | Manual |

**Note:** The above PL is only the evaluation result of the example. The PL must be evaluated in an actual application by the customer after confirming the usage conditions.

● **Application Overview**

- The power supply to the motor M is turned OFF when the beam is blocked.
- The power supply to the motor M is kept OFF until the beams are unblocked and the reset switch S2 is pressed.



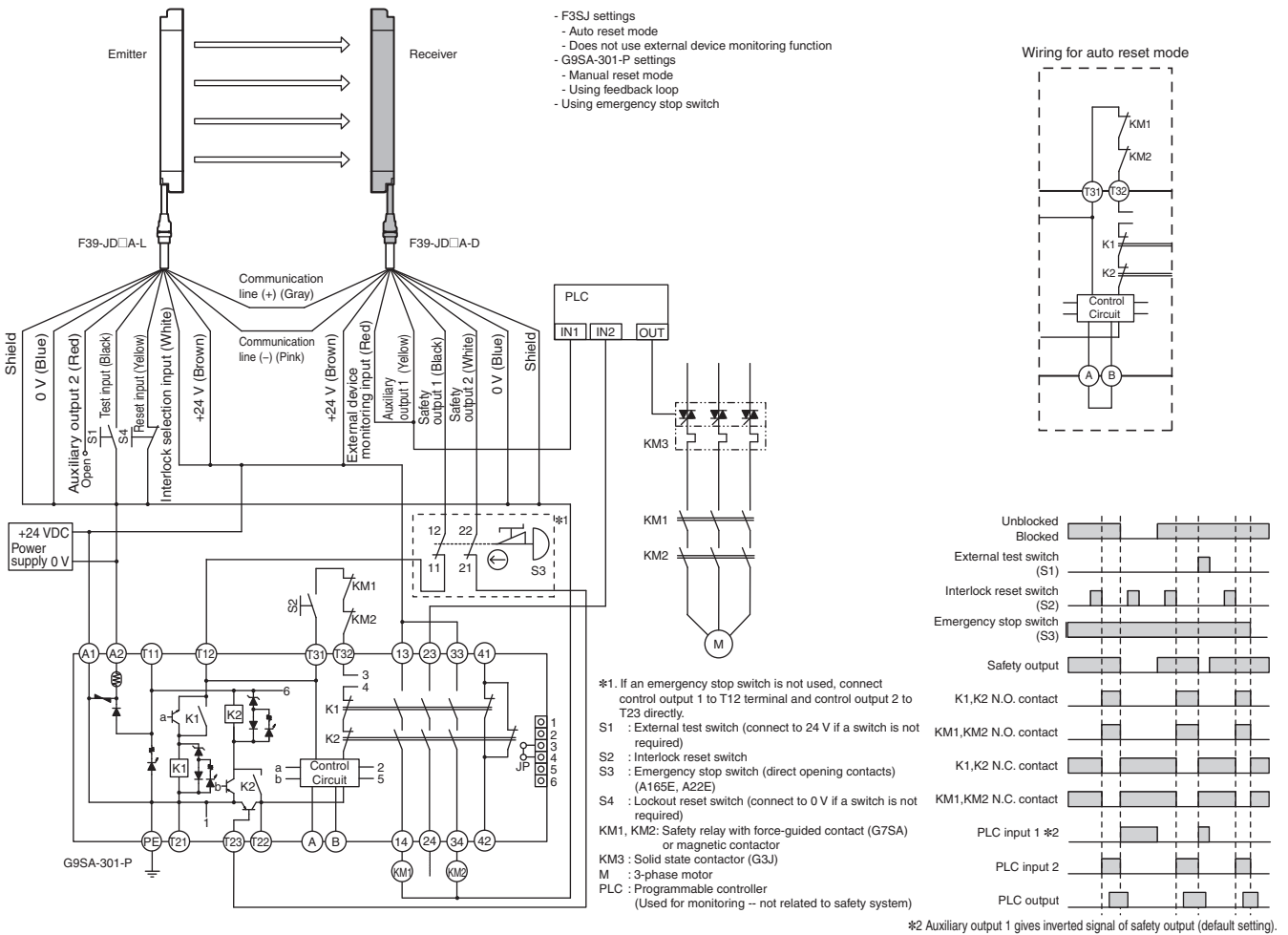
## Wiring for connection with a controller G9SA-301-P [NPN Output]

| PL/safety category | Model   | Stop category | Reset  |
|--------------------|---|---------------|--------|
| PLe/4 equivalent   | Safety Light Curtain F3SJ-A□□□□□□□□<br>Safety Relay Unit G9SA-301-P 24V DC<br>Safety Relay G7SA<br>Emergency Stop Switch A165E/A22E | 0             | Manual |

**Note:** The above PL is only the evaluation result of the example. The PL must be evaluated in an actual application by the customer after confirming the usage conditions.

### Application Overview

- The power supply to the motor M is turned OFF when the beam is blocked.
- The power supply to the motor M is turned OFF when the emergency stop switch is pressed.
- The power supply to the motor M is kept OFF until the beams are unblocked and the reset switch S2 is pressed while the emergency stop switch is released.

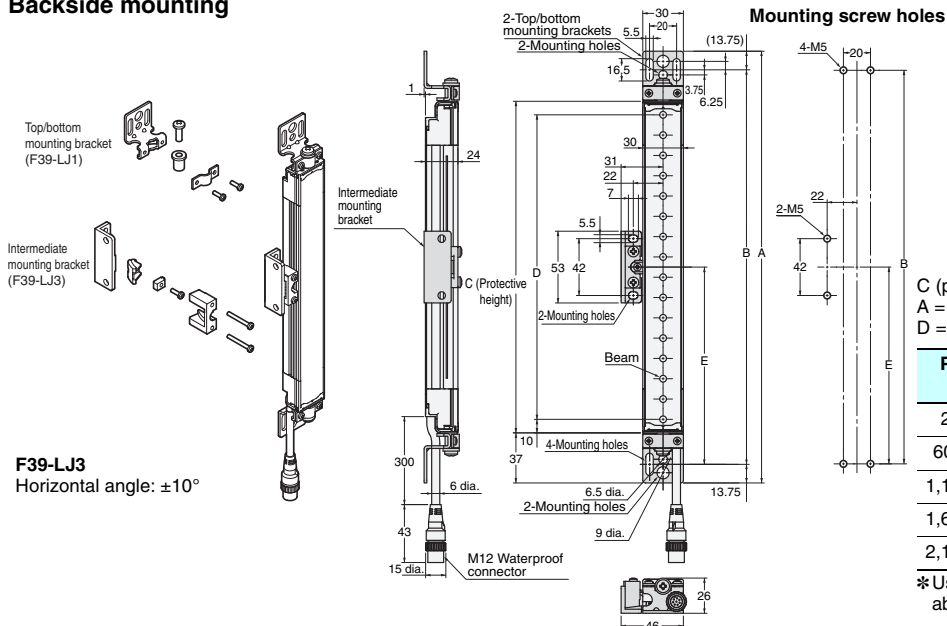


# Dimensions

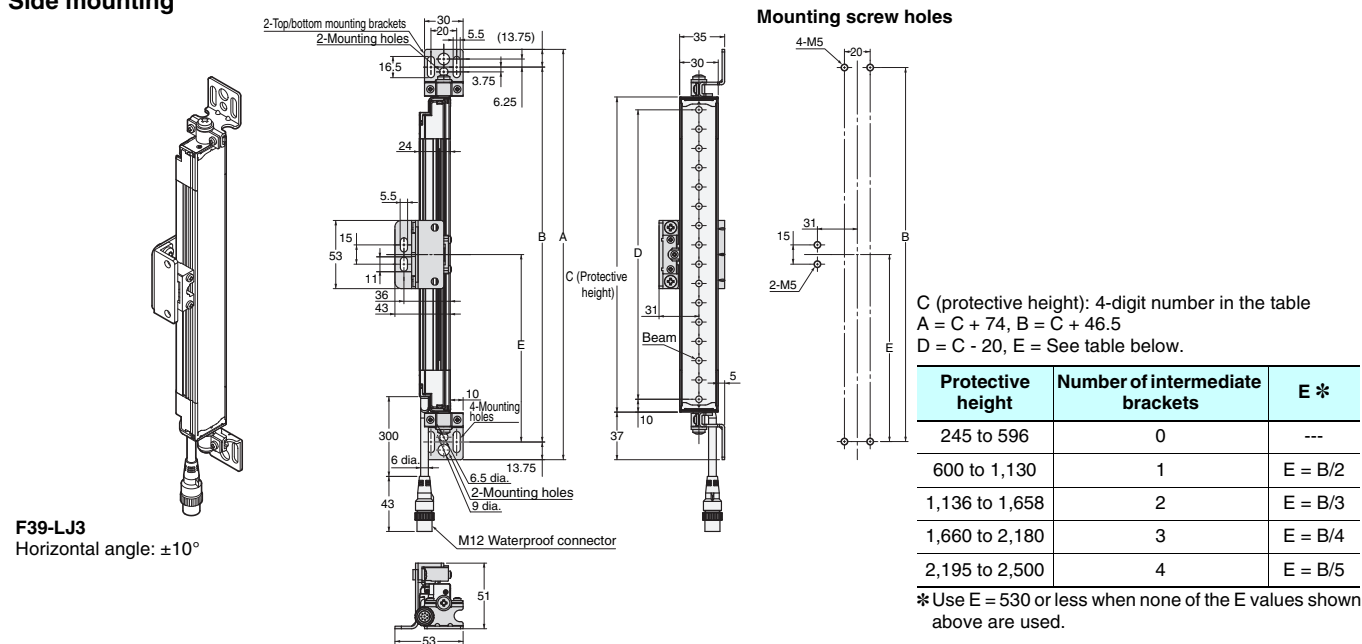
## Main Units

### When Using Standard Mounting Brackets

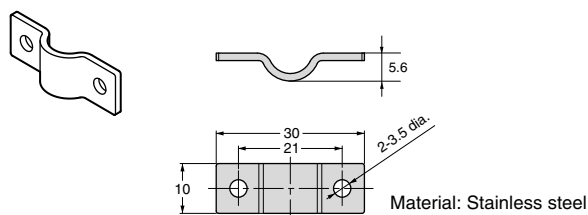
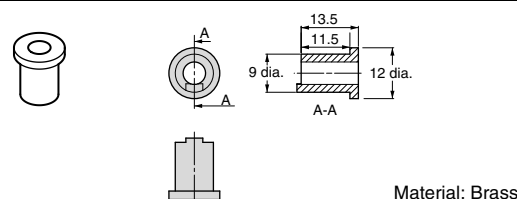
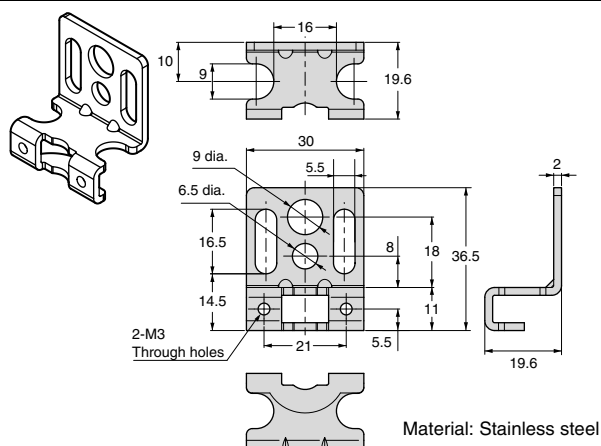
#### Backside mounting



#### Side mounting



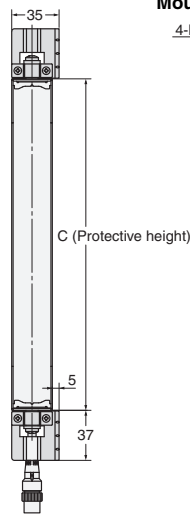
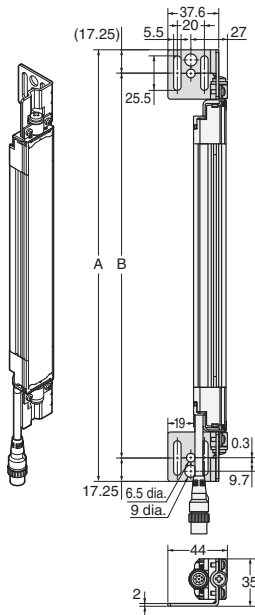
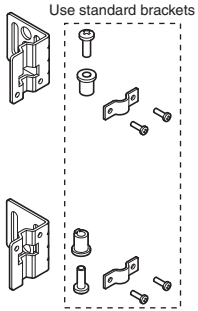
### F39-LJ1 Detailed Dimensions of Bracket



## Using Side Flat Mounting Bracket (F39-LJ2)

### F39-LJ2

Material: Stainless steel



### Mounting screw holes



### Dimensions A to C

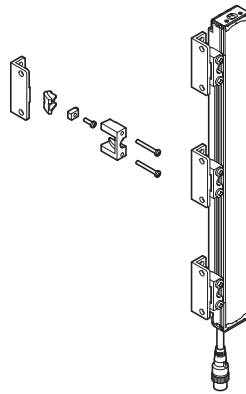
|   |  |
|---|--|
| A | C + 74   |
| B | C + 39.5   |
| C | 4-digit number of the model name (protective height) |

## Using Free Location Mounting Bracket (F39-LJ3)

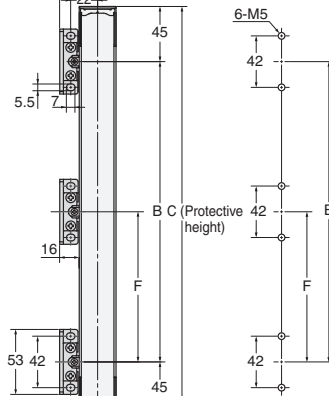
### Backside mounting

### F39-LJ3

Material: Zinc die-cast  
Horizontal angle:  $\pm 10^\circ$



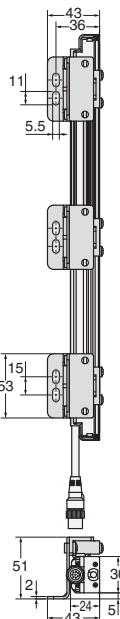
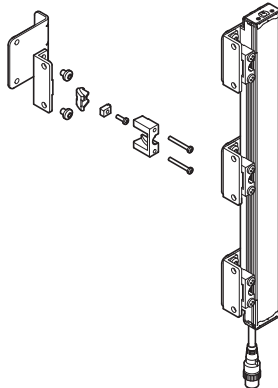
### Mounting screw holes



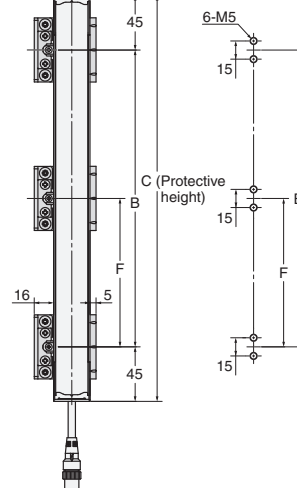
### Side mounting

### F39-LJ3

Material: Zinc die-cast/  
stainless  
Horizontal angle:  $\pm 10^\circ$



### Mounting screw holes



## Dimensions B, C, and F

|   |   |
|---|---|
| B | C - 90  |
| C | 4-digit number of the model name (protective height)          |
| F | Depends on the protective height. See the table on the right. |

## Dimensions F

| Protective height | Number of intermediate brackets | F * |
|-------------------|---------------------------------|-----|
| 245 to 440        | 2                               | --- |
| 443 to 785        | 3                               | B/2 |
| 794 to 1,140      | 4                               | B/3 |
| 1,145 to 1,490    | 5                               | B/4 |
| 1,495 to 1,840    | 6                               | B/5 |
| 1,845 to 2,180    | 7                               | B/6 |
| 2,195 to 2,500    | 8                               | B/7 |

\*Use F = 350 or less when none of the F values shown above are used.

When only F39-LJ3 free-location mounting brackets are used without standard brackets, allow a space of at least 350 mm between the brackets. The number of brackets required varies according to the protective height. For details about the number of required brackets, refer to the table below.

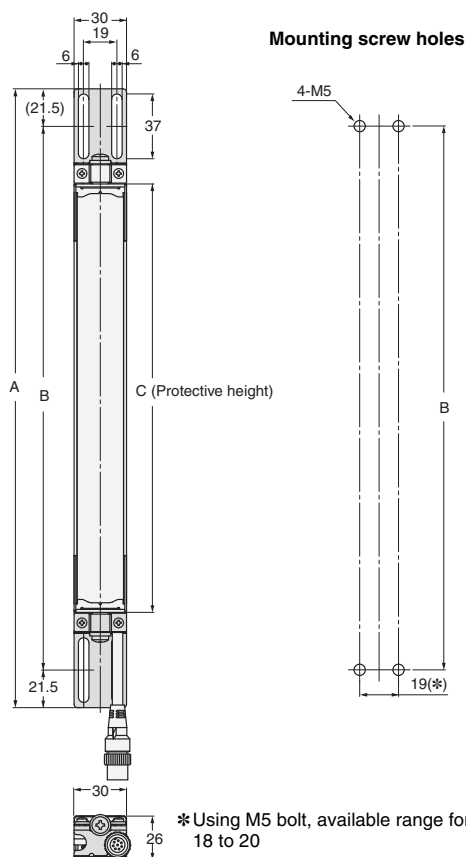
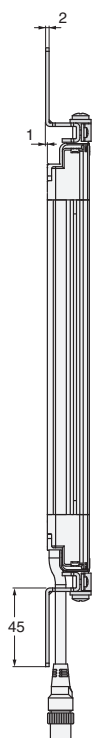
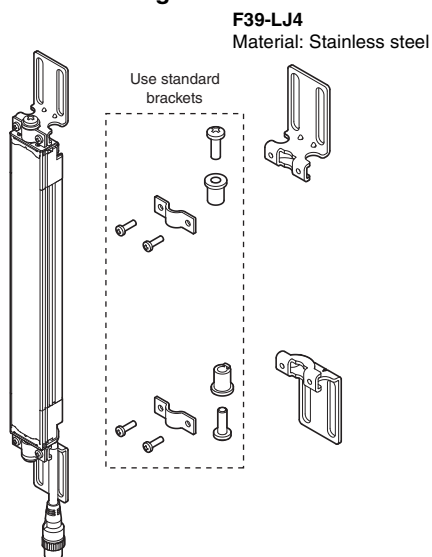
The standard included intermediate brackets are the same as the F39-LJ3 free-location mounting brackets. Purchase brackets as necessary if there are fewer intermediate brackets than required. When intermediate brackets are included, they can be used as free-location mounting brackets.

## Required number of F39-LJ3 free-location mounting brackets for 1 F3SJ set (emitter/receiver) (2 pieces are included with F39-LJ3)

| Protective height | Number of included free location brackets as intermediate brackets | Number of free location brackets to mount F3SJ | Number of free location bracket sets to be purchased (pcs) |
|-------------------|--|--|--|
| 245 to 440        | 0  | 4  | 2 sets (4)   |
| 443 to 596        | 0  | 6  | 3 sets (6)   |
| 600 to 785        | 2  | 6  | 2 sets (4)   |
| 794 to 1,130      | 2  | 8  | 3 sets (6)   |
| 1,136 to 1,140    | 4  | 8  | 2 sets (4)   |
| 1,145 to 1,490    | 4  | 10   | 3 sets (6)   |
| 1,495 to 1,658    | 4  | 12   | 4 sets (8)   |
| 1,660 to 1,840    | 6  | 12   | 3 sets (6)   |
| 1,845 to 2,180    | 6  | 14   | 4 sets (8)   |
| 2,195 to 2,500    | 8  | 16   | 4 sets (8)   |

## Using Top/Bottom Bracket B (F39-LJ4)

### Backside mounting



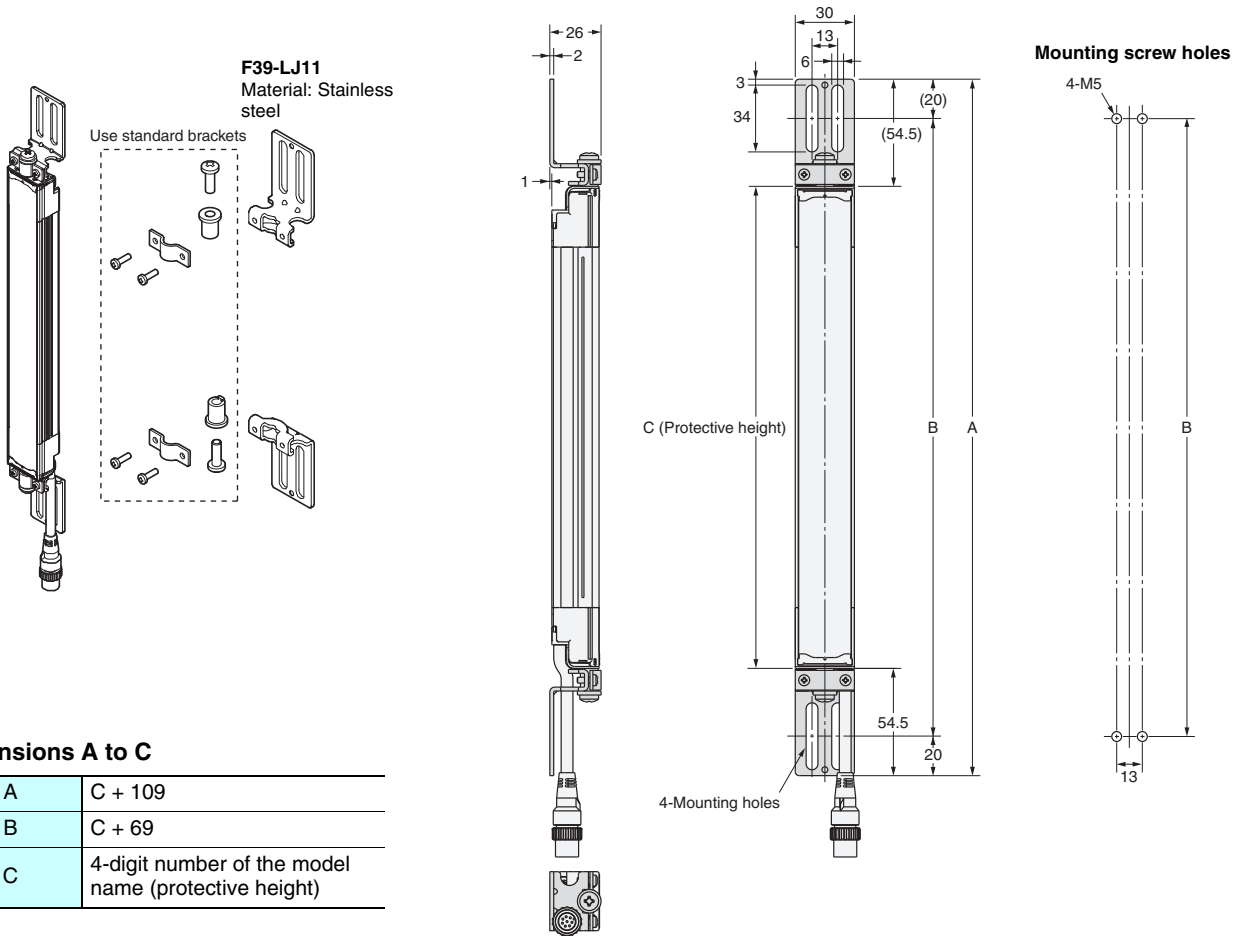
## Dimensions A to C

|   |  |
|---|--|
| A | C + 109  |
| B | C + 66   |
| C | 4-digit number of the model name (protective height) |

**Note:** Refer to the User's Manual for the dimensions for side mounting.

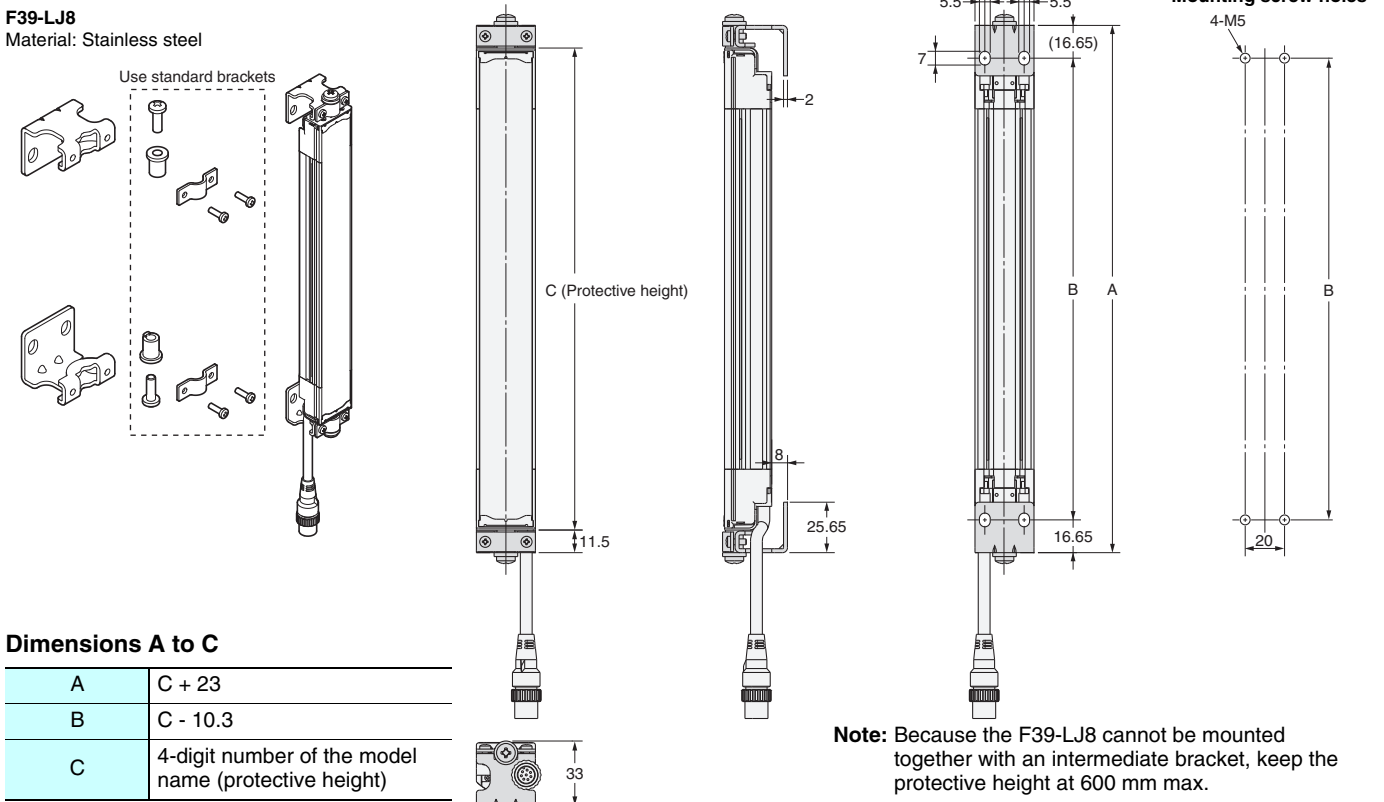
\*Using M5 bolt, available range for mounting is 18 to 20

## Using Top/Bottom Bracket C (F39-LJ11)



## Using Space-saving Mounting Bracket (F39-LJ8)

### Backside mounting





**Guide to Replacing F3SJ-A with F3SJ-E/B (Including models whose production will be discontinued)**

**F3SJ-A to F3SJ-E/B replacement correspondence table (F3SJ-A mounting holes can be used without modification)**

To check available brackets for replacement, refer to the table below.

To check dimensions when mounting brackets, refer to page 91.

The values in the table correspond to in the model name, meaning the protective height (mm) of a sensor.

| F3SJ-A                                       |                       |                      | Replacement F3SJ-E/B | Available bracket for replacement |                               |
|--|-----------------------|----------------------|----------------------|-----------------------------------|-------------------------------|
| □□□□P(N)20                                   | □□□□P(N)25            | □□□□P(N)30           | □□□□P(N)25           | Top/bottom bracket (F39-LJB1)     | Compatible bracket (F39-LJB4) |
| 0245<br>0260<br>0275<br>0290                 | 0260<br>0280          | 0245<br>0270<br>0295 | 0225                 |                                   | ✓                             |
|  | 0300                  |                      |                      | ✓                                 | ✓                             |
| 0305<br>0320<br>0335<br>0350<br>0365         | 0320<br>0340<br>0360  | 0320<br>0345<br>0370 | 0305                 |                                   | ✓                             |
| 0380   | 0380                  |                      |                      | ✓                                 | ✓                             |
| 0395<br>0410<br>0425<br>0440<br>0455         | 0400<br>0420<br>0440  | 0395<br>0420<br>0445 | 0385                 |                                   | ✓                             |
|  | 0460                  |                      |                      | ✓                                 | ✓                             |
| 0470<br>0485<br>0500<br>0515<br>0530         | 0480<br>0500<br>0520  | 0470<br>0495<br>0520 | 0465                 |                                   | ✓                             |
|  | 0540                  |                      |                      | ✓                                 | ✓                             |
| 0545<br>0560<br>0575<br>0590<br>0605         | 0560<br>0580<br>0600  | 0545<br>0570<br>0595 | 0545                 |                                   | ✓                             |
| 0620   | 0620                  | 0620                 |                      | ✓                                 | ✓                             |
| 0635<br>0650<br>0665<br>0680<br>0695         | 0640<br>0660<br>0680  | 0645<br>0670<br>0695 | 0625                 |                                   | ✓                             |
|  | 0700                  |                      |                      | ✓                                 | ✓                             |
| 0710<br>0725<br>0740<br>0755<br>0770         | 0720<br>0740<br>0760  | 0720<br>0745<br>0770 | 0705                 |                                   | ✓                             |
|  | 0780                  |                      |                      | ✓                                 | ✓                             |
| 0785<br>0800<br>0815<br>0830<br>0845         | 0800<br>0820<br>0840  | 0795<br>0820<br>0845 | 0785                 |                                   | ✓                             |
| 0860   | 0860                  |                      |                      | ✓                                 | ✓                             |
| 0875<br>0890<br>0905<br>0920<br>0935         | 0880<br>0900<br>0920  | 0870<br>0895<br>0920 | 0865                 |                                   | ✓                             |
|  | 0940                  |                      |                      | ✓                                 | ✓                             |
| 0950<br>0965<br>0980<br>0995<br>01010        | 0960<br>0980<br>01000 | 0945<br>0970<br>0995 | 0945                 |                                   | ✓                             |
|  | 1020                  | 1020                 |                      | ✓                                 | ✓                             |
| 1025<br>1040<br>1055<br>1070<br>1085<br>1100 | 1040<br>1060<br>1080  | 1045<br>1070<br>1095 | 1025                 |                                   | ✓                             |
|  | 1100                  |                      |                      | ✓                                 | ✓                             |
| 1115<br>1130<br>1145<br>1160<br>1175         | 1120<br>1140<br>1160  | 1120<br>1145<br>1170 | 1105                 |                                   | ✓                             |

# F3SJ-A

| F3SJ-A     |            |            | Replacement F3SJ-B | Available bracket for replacement |                               |
|------------|------------|------------|--------------------|-----------------------------------|-------------------------------|
| □□□□P(N)20 | □□□□P(N)25 | □□□□P(N)30 | □□□□P(N)25         | Top/bottom bracket (F39-LJB1)     | Compatible bracket (F39-LJB4) |
|            | 1180       |            | 1185               | ✓                                 | ✓                             |
| 1190       | 1200       | 1195       |                    |                                   |                               |
| 1205       | 1220       | 1220       |                    |                                   |                               |
| 1220       | 1240       | 1245       |                    |                                   | ✓                             |
| 1235       |            |            |                    |                                   |                               |
| 1250       |            |            |                    |                                   |                               |
|            | 1260       |            | 1265               | ✓                                 | ✓                             |
| 1265       | 1280       | 1270       |                    |                                   |                               |
| 1280       | 1300       | 1295       |                    |                                   |                               |
| 1295       | 1320       | 1320       |                    |                                   | ✓                             |
| 1310       |            |            |                    |                                   |                               |
| 1325       |            |            |                    |                                   |                               |
| 1340       | 1340       |            | 1345               | ✓                                 | ✓                             |
| 1355       | 1360       | 1345       |                    |                                   |                               |
| 1370       | 1380       | 1370       |                    |                                   |                               |
| 1385       | 1400       | 1395       |                    |                                   | ✓                             |
| 1400       |            |            |                    |                                   |                               |
| 1415       |            |            |                    |                                   |                               |
|            | 1420       | 1420       | 1425               | ✓                                 | ✓                             |
| 1430       | 1440       | 1445       |                    |                                   |                               |
| 1445       | 1460       | 1470       |                    |                                   |                               |
| 1460       | 1480       | 1495       |                    |                                   | ✓                             |
| 1475       |            |            |                    |                                   |                               |
| 1490       |            |            |                    |                                   |                               |
|            | 1500       |            | 1505               | ✓                                 | ✓                             |
| 1505       | 1520       | 1520       |                    |                                   |                               |
| 1520       | 1540       | 1545       |                    |                                   |                               |
| 1535       | 1560       | 1570       |                    |                                   | ✓                             |
| 1550       |            |            |                    |                                   |                               |
| 1565       |            |            |                    |                                   |                               |
| 1580       | 1580       |            | 1585               | ✓                                 | ✓                             |
| 1595       | 1600       | 1595       |                    |                                   |                               |
| 1610       | 1620       | 1620       |                    |                                   |                               |
| 1625       | 1640       | 1645       |                    |                                   | ✓                             |
| 1640       |            |            |                    |                                   |                               |
| 1655       |            |            |                    |                                   |                               |
|            | 1660       |            | 1665               | ✓                                 | ✓                             |
| 1670       | 1680       | 1670       |                    |                                   |                               |
| 1685       | 1700       | 1695       |                    |                                   |                               |
| 1700       | 1720       | 1720       |                    |                                   | ✓                             |
| 1715       |            |            |                    |                                   |                               |
| 1730       |            |            |                    |                                   |                               |
|            | 1740       |            | 1745               | ✓                                 | ✓                             |
| 1745       | 1760       | 1745       |                    |                                   |                               |
| 1760       | 1780       | 1770       |                    |                                   |                               |
| 1775       | 1800       | 1795       |                    |                                   | ✓                             |
| 1790       |            |            |                    |                                   |                               |
| 1805       |            |            |                    |                                   |                               |
| 1820       | 1820       | 1820       | 1825               | ✓                                 | ✓                             |
| 1835       | 1840       | 1845       |                    |                                   |                               |
| 1850       | 1860       | 1870       |                    |                                   |                               |
| 1865       | 1880       | 1895       |                    |                                   | ✓                             |
| 1880       |            |            |                    |                                   |                               |
| 1895       |            |            |                    |                                   |                               |
|            | 1900       |            | 1905               | ✓                                 | ✓                             |
| 1910       | 1920       | 1920       |                    |                                   |                               |
| 1925       | 1940       | 1945       |                    |                                   |                               |
| 1940       | 1960       | 1970       |                    |                                   | ✓                             |
| 1955       |            |            |                    |                                   |                               |
| 1970       |            |            |                    |                                   |                               |
|            | 1980       |            | 1985               | ✓                                 | ✓                             |
| 1985       | 2000       | 1995       |                    |                                   |                               |
| 2000       | 2020       | 2020       |                    |                                   |                               |
| 2015       | 2040       | 2045       |                    |                                   | ✓                             |
| 2030       |            |            |                    |                                   |                               |
| 2045       |            |            |                    |                                   |                               |
| 2060       | 2060       |            | 2065               | ✓                                 | ✓                             |
| 2075       | 2080       | 2070       |                    |                                   |                               |
| 2090       | 2100       | 2095       |                    |                                   |                               |
| 2105       | 2120       | 2120       |                    |                                   | ✓                             |
| 2120       |            |            |                    |                                   |                               |
| 2135       |            |            |                    |                                   |                               |

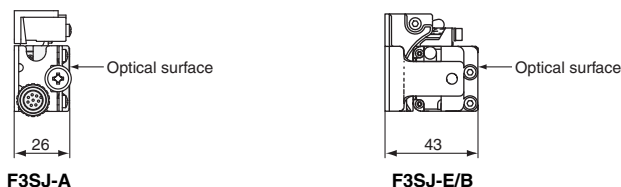
**Note:** 1. Protective height and detection capability vary according to replacement. Check the safe design of your device before use.  
 2. The maximum protective height of F3SJ-E is 1,105 mm. Only the F3SJ-B can be replaced for the protective height of 1,185 or more.

**Change of Dimensions due to Replacement**

**(1) Replacement by backside mounting**

|  | F3SJ-A<br>(Using standard bracket) | F3SJ-E/B<br>(Top/bottom bracket used) | F3SJ-E/B<br>(Compatible bracket used) |
|--|------------------------------------|---------------------------------------|---------------------------------------|
| Dimensions (mm) from mounting wall surface to optical surface (mm) | 26                                 | 43                                    | 43                                    |
| Total length including bracket (mm)                                | Protective height + 74             | Protective height + 69                | Protective height + 159               |

**Dimensional drawing from mounting wall surface to optical surface**



**(2) Replacement by side mounting**

|  | F3SJ-A<br>(Using standard bracket) | F3SJ-E/B<br>(Top/bottom bracket used) | F3SJ-E/B<br>(Compatible bracket used) |
|--|------------------------------------|---------------------------------------|---------------------------------------|
| Dimensions of a protrusion from mounting wall (mm) | 51                                 | 46                                    | 46                                    |
| Total length including bracket (mm)                | Protective height +74              | Protective height +69                 | Protective height +159                |

**Dimensional drawing of a protrusion from mounting wall**



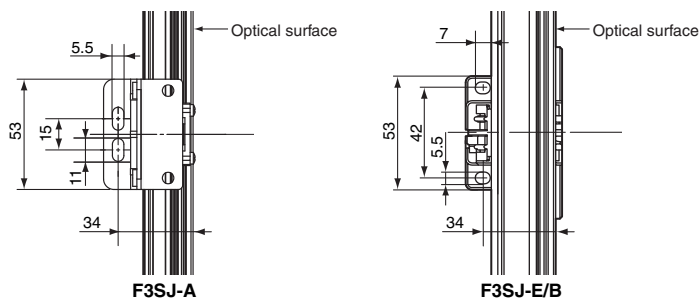
**Replacement using intermediate brackets**

For backside mounting, the F3SJ-A and F3SJ-E/B can be used without modification due to compatibility in mounting hole pitch. For side mounting, a new hole needs to be made due to the different mounting hole pitch.

**Mounting hole pitch for side mounting using intermediate bracket**

|                          | F3SJ-A<br>(Free-location bracket used) | F3SJ-E/B<br>(Intermediate bracket used) |
|--------------------------|--|---|
| Mounting hole pitch (mm) | 15                                     | 42                                      |

**Dimensional drawing of mounting hole for side mounting using intermediate bracket**

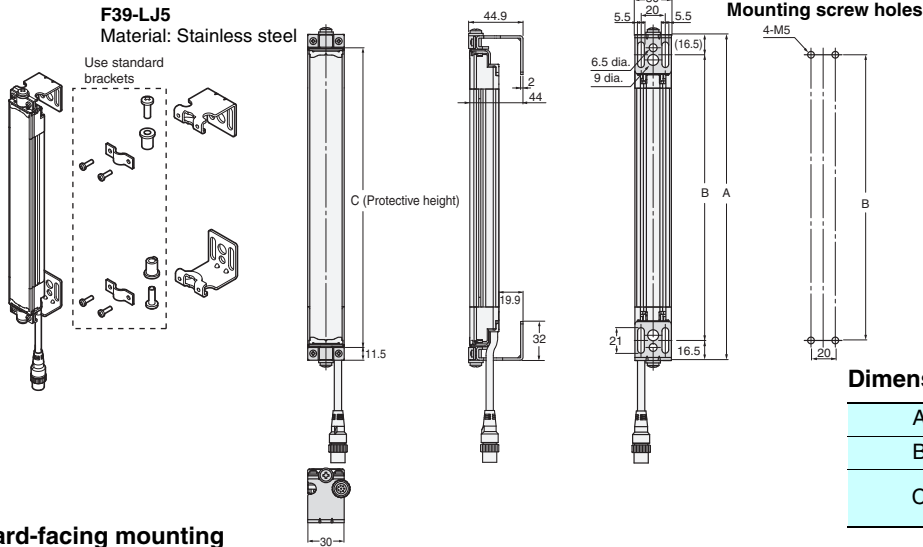


**Change of Dimensions due to Replacement**

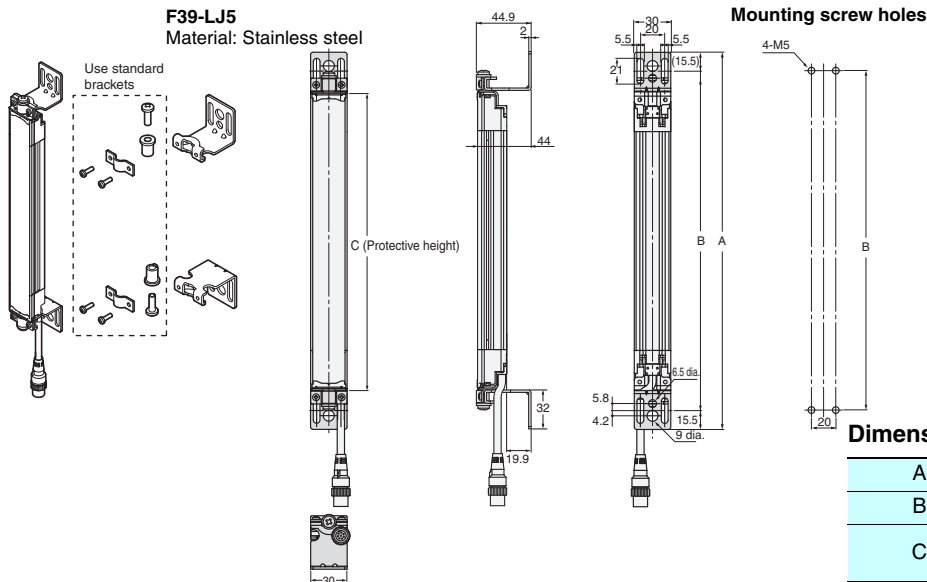
|  | F3SJ-A<br>(Free-location bracket used) | F3SJ-E/B<br>(Intermediate bracket used) |
|--|--|---|
| Dimensions (mm) from mounting wall surface to optical surface (mm) | 26                                     | 43                                      |

## Using mounting bracket for short-length F3SN (F39-LJ5)

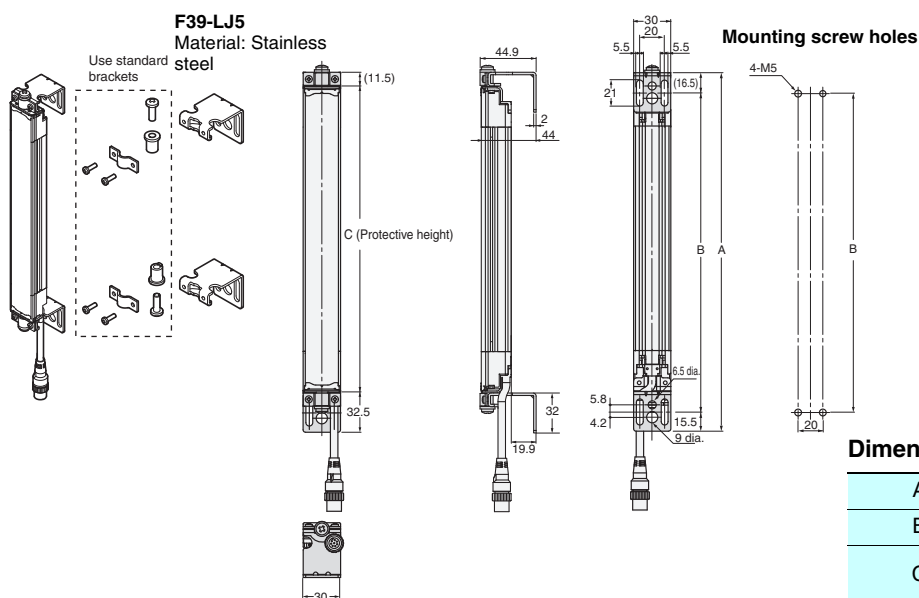
### Inward-facing mounting



### Outward-facing mounting



### Inward + outward-facing mounting



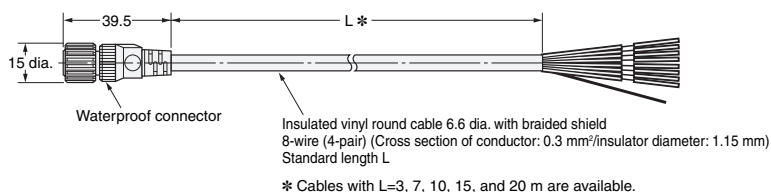
## Accessories

### Single-end Connector Cable

F39-JD3A (L = 3 m)  
 F39-JD7A (L = 7 m)  
 F39-JD10A (L = 10 m)

F39-JD15A (L = 15 m)  
 F39-JD20A (L = 20 m)

Cable color: Gray for emitter  
 Black for receiver

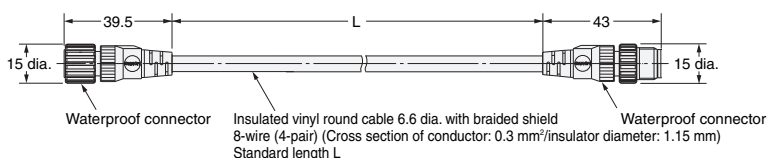


### Double-end Connector Cable

F39-JDR5B (L = 0.5 m)  
 F39-JD1B (L = 1 m)  
 F39-JD3B (L = 3 m)  
 F39-JD5B (L = 5 m)

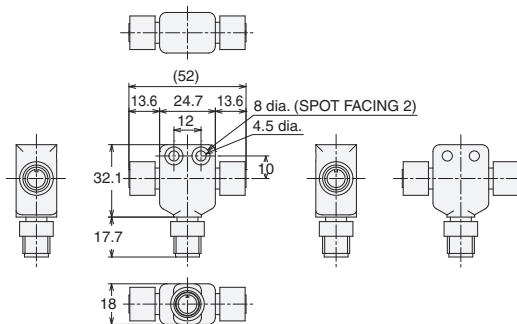
F39-JD7B (L = 7 m)  
 F39-JD10B (L = 10 m)  
 F39-JD15B (L = 15 m)  
 F39-JD20B (L = 20 m)

Cable color: Gray for emitter  
 Black for receiver



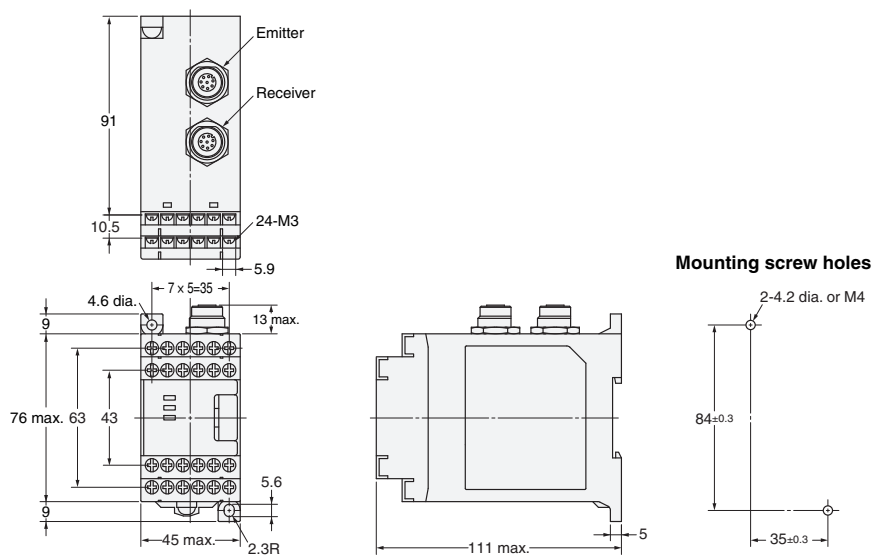
### Simple Wiring Connector

F39-CN5



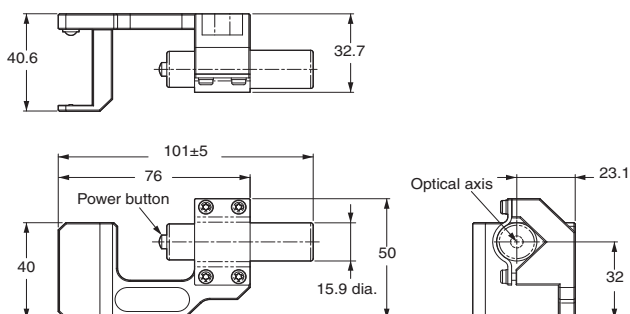
### Control Unit

F3SP-B1P



### Laser Pointer

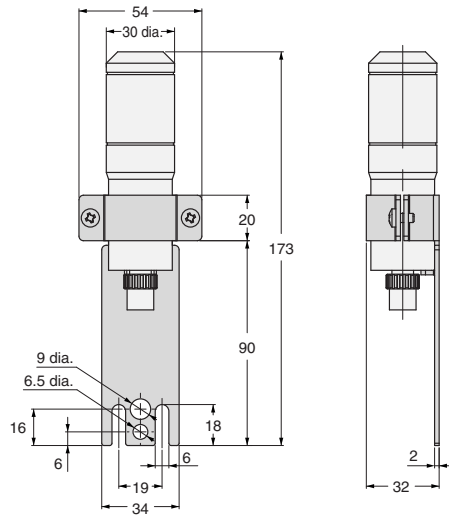
F39-PTJ



# F3SJ-A

## Dedicated External Indicator Set

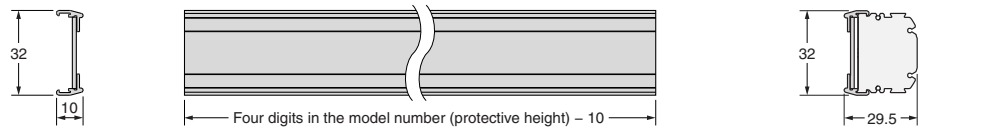
F39-A01□-PAC



Material: Stainless steel

## Spatter Protection Cover

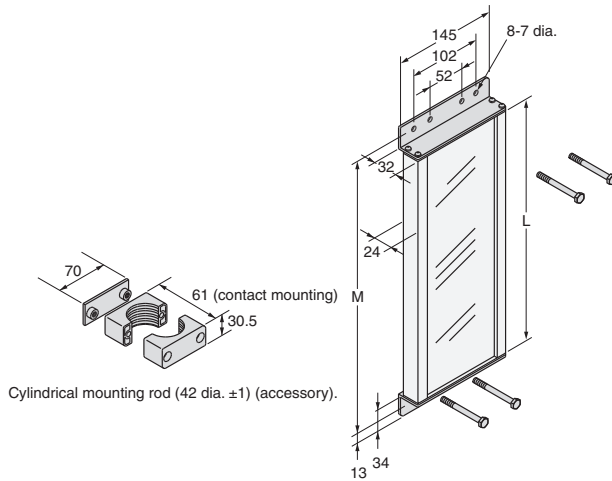
F39-HJ□□□□



Material: PC (transparent area)  
ABS (non-transparent area)

## Mirrors

F39-MLG□

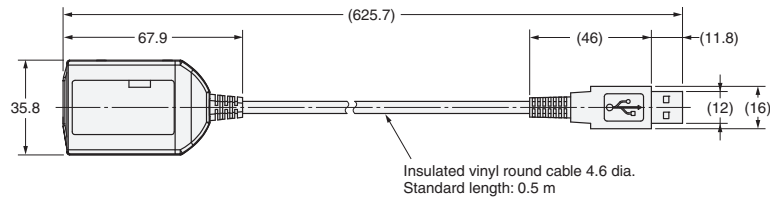


Cylindrical mounting rod (42 dia. ±1) (accessory).

| Model       | L (mm) | M (mm) |
|-------------|--------|--------|
| F39-MLG0406 | 445    | 487    |
| F39-MLG0610 | 648    | 690    |
| F39-MLG0711 | 749    | 792    |
| F39-MLG0914 | 953    | 995    |
| F39-MLG1067 | 1,105  | 1,148  |
| F39-MLG1219 | 1,257  | 1,300  |
| F39-MLG1422 | 1,461  | 1,503  |
| F39-MLG1626 | 1,664  | 1,706  |
| F39-MLG1830 | 1,867  | 1,910  |
| F39-MLG2134 | 2,172  | 2,214  |

## Setting Support Software for the F3SJ

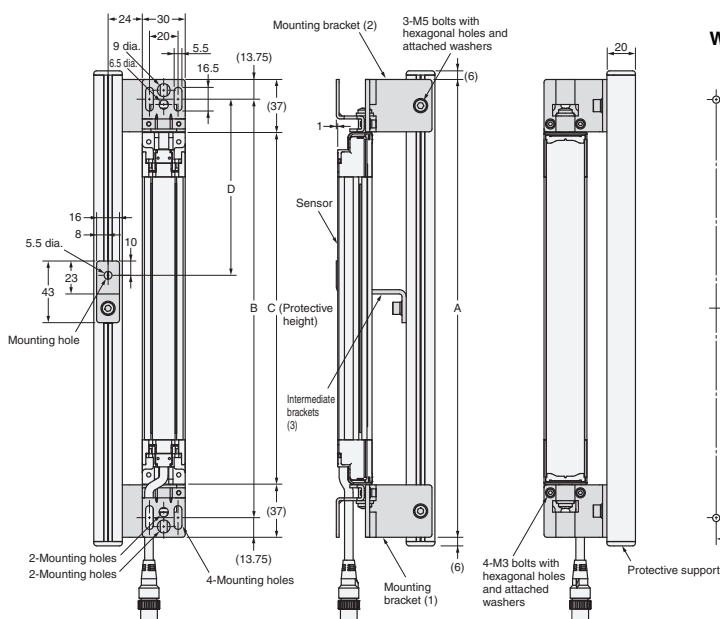
F39-GWUM



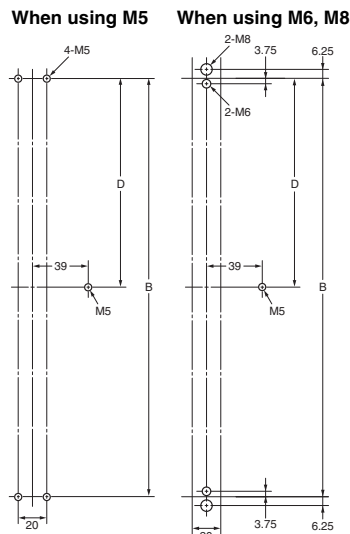


Protective Bar

F39-PJ□□□□-S  
Backside mounting



Mounting screw holes

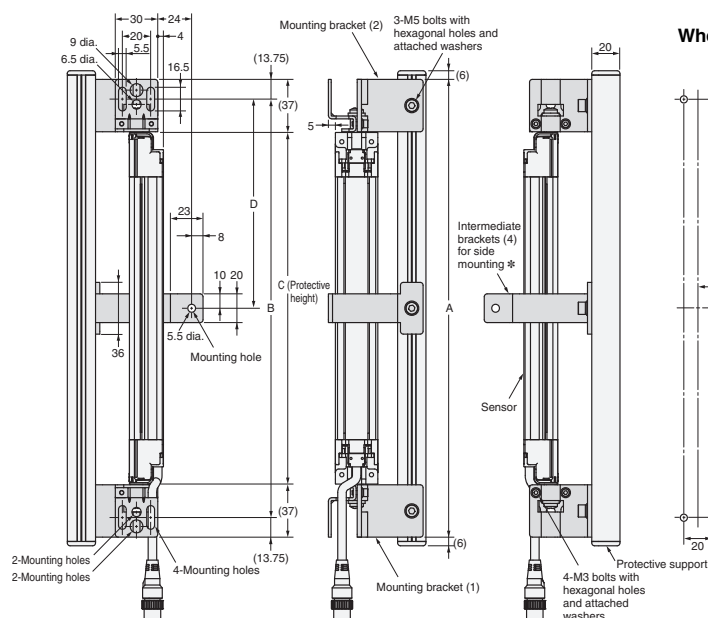


C (protective height): 4-digit number in the table  
 $A = C + 74$ ,  
 $B = C + 46.5$

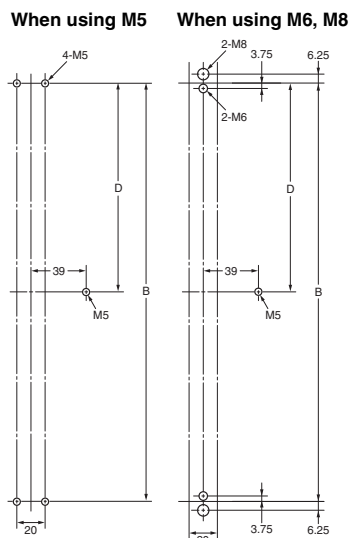
| Protective height | Number of intermediate brackets used (3) | D   |
|-------------------|--|-----|
| 245 to 995        | 0  | --- |
| 1,001 to 2,000    | 1  | B/2 |
| 2,009 to 2,500    | 2  | B/3 |

**Note:** For reference, D is the dimension that will not interfere with the intermediate bracket on the Safety Light Curtain body.

Side mounting



Mounting screw holes

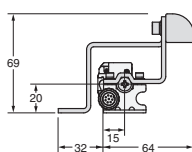


C (protective height): 4-digit number in the table  
 $A = C + 74$ ,  
 $B = C + 46.5$

| Protective height | Intermediate brackets for side mounting<br>Number of intermediate brackets used (4) | D   |
|-------------------|---|-----|
| 245 to 995        | 0   | --- |
| 1,001 to 2,000    | 1   | B/2 |
| 2,009 to 2,500    | 2   | B/3 |

**Note:** For reference, D is the dimension that will not interfere with the intermediate bracket on the Safety Light Curtain body.

\*The four intermediate brackets (F39-PJ-MS) for side mounting are not provided.

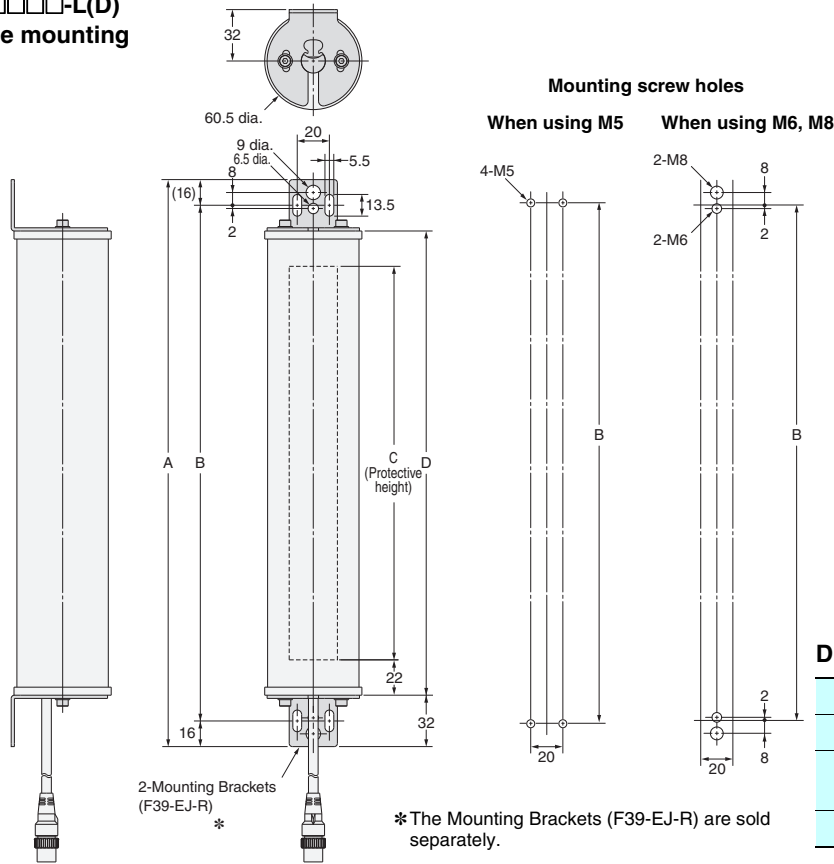


# F3SJ-A

## Water-resistant Case

F39-EJ□□□□-L(D)

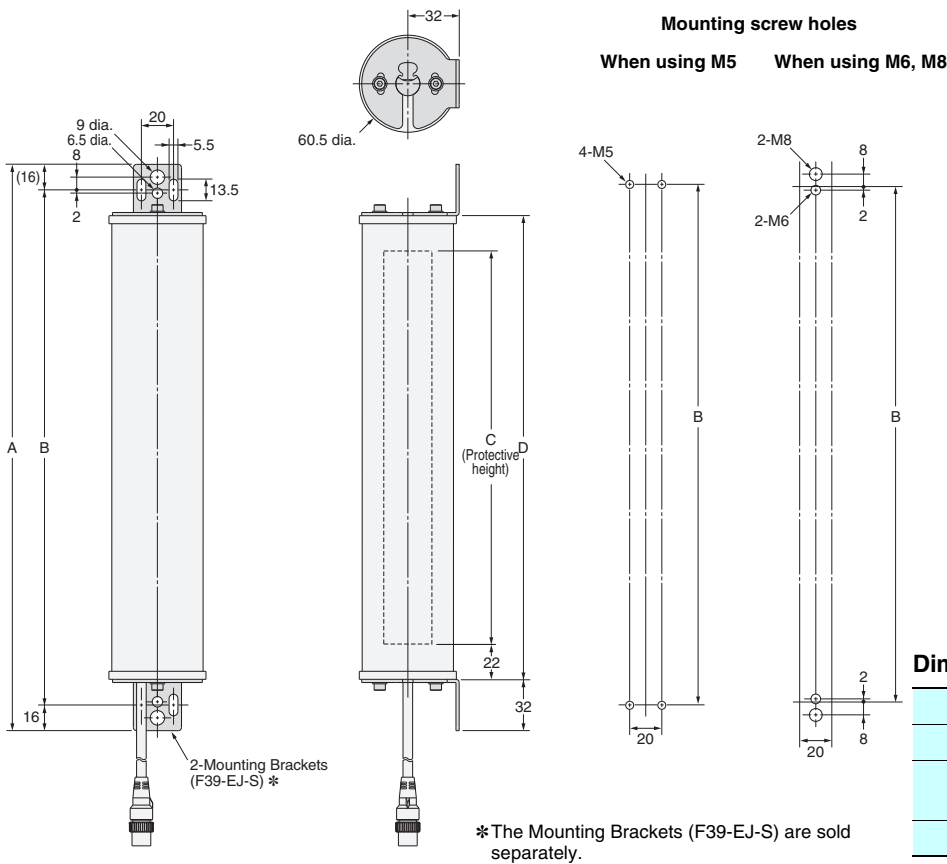
Backside mounting



**Dimensions A to D**

|   |  |
|---|--|
| A | C + 108  |
| B | C + 76   |
| C | 4-digit number of the model name (protective height) |
| D | C + 44   |

## Side mounting



**Dimensions A to D**

|   |  |
|---|--|
| A | C + 108  |
| B | C + 76   |
| C | 4-digit number of the model name (protective height) |
| D | C + 44   |

## Function List

Functions that can be used on F3SJ are shown as follows: Refer to the F3SJ User's Manual for details. For manual number, check the "Related Manuals" at the end of the catalog.

✓: Can be used.

X: Cannot be used.

### Basic functions

| Function                            | F3SJ-E (EASY) | F3SJ-B (BASIC) | F3SJ-A (ADVANCED) |
|-------------------------------------|---------------|----------------|-------------------|
| Self-test function                  | ✓             | ✓              | ✓                 |
| External test function              | ✓             | ✓              | ✓                 |
| External device monitoring function | X             | ✓ *            | ✓                 |
| Interlock function                  | X             | ✓ *            | ✓                 |
| Auxiliary output function           | X             | ✓              | ✓                 |
| Muting function                     | X             | ✓              | ✓                 |

\* Cannot be used at muting.

### Functions for individual applications

|                                    |   |   |   |
|------------------------------------|---|---|---|
| Override function                  | X | ✓ | ✓ |
| Partial muting function            | X | X | ✓ |
| Position detection muting function | X | X | ✓ |
| Fixed blanking function            | X | X | ✓ |
| Floating blanking function         | X | X | ✓ |
| Warning zone function              | X | X | ✓ |
| Use of setting tools               | X | X | ✓ |

### Wiring/mounting related function

|  |   |   |   |
|--|---|---|---|
| Series connection function               | X | ✓ | ✓ |
| Dead space less (single connection)      | ✓ | ✓ | ✓ |
| Dead space less (series connection)      | X | X | ✓ |
| Response time integration (15 ms) *      | ✓ | ✓ | X |
| Simple wiring                            | ✓ | X | X |
| Connector cable                          | X | ✓ | ✓ |
| Quick mounting                           | ✓ | ✓ | X |
| TOP/BOTTOM indicator for beam adjustment | ✓ | ✓ | X |
| Laser Pointer                            | ✓ | ✓ | ✓ |

\* Convenient to calculate safety distance.

### Indicator related functions

|                           |   |   |   |
|---------------------------|---|---|---|
| External indicator output | X | ✓ | ✓ |
| Muting error display      | X | ✓ | X |

**Note:** The specifications of the models with the suffixes "-01TS", "-02TS" or "-TS" are different. Refer to the Specifications.

## Self-test Function

A self-test is performed to check for errors when the power is turned ON. Also, the self-test is regularly performed (within the response time) while operating.

## External Test Function

This function stops the emission using an external signal. It can be used to verify that a safety system should properly stop when F3SJ is interrupted.

## External Device Monitoring Function

This function detects malfunctions, such as welding, in external relays (or contactors) that control the hazardous part of a machine.

This function constantly monitors that a specified voltage is applied to the receiver's external device monitoring input line, and the system enters lockout state when an error occurs. The relay's operational delay can be up to 300 ms without being evaluated as an error.

For example, if the normally closed N.C. contact does not close within 0.3 s after the safety outputs turn from ON to OFF, and a specified voltage is not applied to the external device monitoring line, it is evaluated as an error and the system enters a lockout state. To utilize this function properly, use safety relays and contactors that have force guided or mechanically linked contact structure.

## Interlock Function

The F3SJ turns the safety outputs OFF when its power is turned on or its beam is interrupted and holds this state until reset input is applied. This state is called "interlock".

Two methods can be used to reset the interlock state: "auto reset that automatically turns control outputs ON when the interrupting object is removed" and "manual reset mode that keeps control outputs OFF until a reset signal is provided, if the interrupting object is removed".

## Auto Reset

When the interrupting object is removed from the detection zone, the safety outputs automatically turn ON. Auto reset is used on machines where a worker is not able to enter the area between the detection zone and the hazardous part of the machine.

## Manual Reset

When a reset input is given while no interrupting object exists in a detection zone, the safety outputs turn ON. This allows the machine to be manually reset using a reset switch after ensuring safety, preventing unexpected startup.

## Auxiliary Output Function

The auxiliary output is used to monitor the status of the F3SJ. This output can be connected to a device such as programmable controller.

## Muting Function

Muting function temporarily disables safety function of the F3SJ, keeping safety output ON even if beams are interrupted. This makes it possible to install safety light curtains for AGV passage, enabling both safety and productivity.

## Override Function

The override function turns the safety outputs ON when the muting start condition is not satisfied. If a workpiece stops while passing through the F3SJ, as shown below, causing a muting error, the normal state cannot be recovered unless the workpiece is removed from the muting sensors and the detection field of the F3SJ. However, the override function will mute the safety outputs of the F3SJ so that the conveyor can be restarted to move the workpiece out of the muting sensors and detection zone.

## Partial Muting Function

Partial muting function secures safety without enabling muting except for beams when a workpiece passes.

## Position Detection Muting

A limit switch or other means is used to detect when the robot is in a safe position, and muting is then applied.

## Fixed Blanking Function

Fixed blanking function disables a specific beam of the F3SJ. This function keeps safety output ON even when part of machinery equipment exists within a detection zone.

## Floating Blanking Function

Floating blanking function increases the diameter of the F3SJ's detection capability and turns OFF the safety output when multiple objects are detected. When there is a moving object with a fixed width in the detection area that we do not want to detect, the detection function can be disabled.

## Warning Zone Function

When an individual enters, a warning lamp lights or buzzer sounds without stopping the equipment by dividing the detection zone into the detection zone and a warning zone.

## Setting Tool

The following setting tools (sold separately) can be purchased in order to change or confirm various F3SJ-A parameters.

- F39-MC21 Setting Console
- F39-GWUM SD Manager Setting Support Software for the F3SJ

## Series Connection Function

Up to 3 sets of the F3SJ-Bs or up to 4 sets of F3SJ-As can be series-connected. Series connection allows them to be used as a safety light curtain, requiring only one set to be wired to a controller and preventing mutual interference.

## Safety Precautions

Description shown below is only a guideline to choose a safety sensor. To use the product properly, you must read its instruction manual that comes with the product.

### Legislation and Standards


1. Application of a sensor alone cannot receive type approval provided by Article 44-2 of the Industrial Safety and Health Act of Japan. It is necessary to apply it in a system.  
Therefore, when using the F3SJ in Japan as a "safety system for pressing or shearing machines" prescribed in Article 42 of that law, the system must receive type approval.
  2. The F3SJ is electro-sensitive protective equipment (ESPE) in accordance with European Union (EU) Machinery Directive Index Annex V, Item 2.
  3. The F3SJ-E/B is in conformity with the following standards:
    - (1) EC legislation  
Machinery Directive 2006/42/EC  
EMC Directive 2004/108/EC
    - (2) European standards  
EN 61496-1 (type 4 ESPE),  
CLC/TS 61496-2 (type 4 AOPD),  
EN 61508-1 through -3 (SIL3),  
EN 61000-6-4,  
EN ISO 13849-1:2008 (PLe/Safety Category 4)
    - (3) International standards  
IEC 61496-1 (type 4 ESPE),  
IEC 61496-2 (type 4 AOPD),  
IEC 61508-1 through -3 (SIL3),  
ISO 13849-1:2006 (PLe/Safety Category 4)
    - (4) JIS standards  
JIS B 9704-1 (type 4 ESPE),  
JIS B 9704-2 (type 4 AOPD)
    - (5) North American standards:  
UL 61496-1 (type 4 ESPE),  
UL 61496-2 (type 4 AOPD),  
UL 508, UL 1998, CAN/CSA C22.2 No.14,  
CAN/CSA C22.2 No.0.8
  4. The F3SJ-A is in conformity with the following standards:
    - (1) EC legislation  
Machinery Directive 2006/42/EC  
EMC Directive 2004/108/EC
    - (2) European standards  
EN 61496-1 (type 4 ESPE),  
CLC/TS 61496-2 (type 4 AOPD),  
EN61508-1 through -3 (SIL3)  
EN ISO 13849-1:2008 (PLe/Safety Category 4)
    - (3) International standards  
EC 61496-1 (type 4 ESPE),  
IEC 61496-2 (type 4 AOPD),  
IEC 61508-1 through -3 (SIL3)  
ISO13849-1: 2006 (PLe/Safety Category 4)
  - (4) JIS standards  
JIS B 9704-1 (type 4 ESPE),  
JIS B 9704-2 (type 4 AOPD)
  - (5) North American standards:  
UL 61496-1 (type 4 ESPE),  
UL 61496-2 (type 4 AOPD),  
UL 508, UL 1998, CAN/CSA C22.2 No.14,  
CAN/CSA C22.2 No.0.8
5. The F3SJ received the following certification from the EU-accredited body, TÜV SÜD:
    - EC type test based on machinery directive  
Type 4 ESPE (EN 61496-1),  
Type 4 AOPD (CLC/TS 61496-2)
  6. The F3SJ is scheduled to received certificates of UL listing for US and Canadian safety standards from the Third Party Assessment Body UL.
    - Type 4 ESPE (UL 61496-1),  
Type 4 AOPD (UL 61496-2)
  7. The F3SJ is designed according to the standards listed below. To make sure that the final system complies with the following standards and regulations, you are asked to design and use it in accordance with all other related standards, laws, and regulations. If you have any questions, consult with specialized organizations such as the body responsible for prescribing and/or enforcing machinery safety regulations in the location where the equipment is to be used.
    - European standards: EN 415-4, EN 692, EN 693
    - US Occupational Safety and Health Standards: OSHA 29 CFR 1910.212
    - US Occupational Safety and Health Standards: OSHA 29 CFR 1910.217
    - American National Standards: ANSI B11.1 to B11.19
    - American National Standards: ANSI/RIA 15.06
    - Canadian Standards Association CSA Z142, Z432, Z434
    - SEMI Standards SEMI S2


# F3SJ-E/F3SJ-B/F3SJ-A

## Precautions on Safety


### Indication and meaning for safe use

This instruction manual describes notification and/or warning with indication and symbols as shown below for safe use of F3SJ. This notification describes very important details for safety. You must follow the description. Shown below are indication and symbols.

|  |   |
|--|---|
|  <b>WARNING</b> | Indicates a potentially hazardous situation which, if not avoided, will result in minor or moderate injury, or may result in serious injury or death. Also, a serious damage on property may be caused. |
|--|---|

|  |   |
|--|---|
|  <b>CAUTION</b> | If you fail to use a product properly, it may result in injuries or damage on property. |
|--|---|

### Meanings of Alert Symbols

|   |  |
|---|--|
|  | Inhibited<br>Indicates general inhibition. |
|---|--|

### Alert Statements in this Manual

**F3SJ-E** . . . . . Description applied to F3SJ-E models.

**F3SJ-B** . . . . . Description applied to F3SJ-B models.

**F3SJ-A** . . . . . Description applied to F3SJ-A models.

### For users

|   |
|---|
|  <b>WARNING</b> |
|---|

**F3SJ-E** **F3SJ-B** **F3SJ-A**

The F3SJ must be installed, set, and integrated into the mechanical control system by a qualified technician who has received the appropriate training. Failure to make correct settings may prevent detection of people and result in serious injury.

**F3SJ-A**

When changing parameters with a setting tool (F39-GWUM or F39-MC21), the change must be made and the contents of the change must be managed by the person in charge of the system. Unintentional or mistaken parameter changes may prevent detection of people and result in serious injury.

### For machines

|  |
|--|
|  <b>WARNING</b> |
|--|

**F3SJ-E** **F3SJ-B** **F3SJ-A**

Do not use this sensor for machines that cannot be stopped by electrical control. For example, do not use it for a pressing machine that uses full-rotation clutch. Otherwise, the machine may not stop before a person reaches the hazardous part, resulting in serious injury.

**F3SJ-B** **F3SJ-A**

Do not use the auxiliary output or external indicator output for safety applications. Human body may not be detected when F3SJ fails, resulting in serious injury.

### For installation

|  |
|--|
|  <b>WARNING</b> |
|--|

**F3SJ-E** **F3SJ-B** **F3SJ-A**

Make sure to test the operation of the F3SJ after installation to verify that the F3SJ operates as intended. Make sure to stop the machine until the test is complete.

Unintended function settings may cause a person to go undetected, resulting in serious injury.

**F3SJ-E** **F3SJ-B** **F3SJ-A**

Make sure to install the F3SJ at the safe distance from the hazardous part of the equipment. Otherwise, the machine may not stop before a person reaches the hazardous part, resulting in serious injury.

**F3SJ-E** **F3SJ-B** **F3SJ-A**

Install a protective structure so that the hazardous part of a machine can only be reached by passing through the sensor's detection zone. Install the sensors so that part of the person is always present in the detection zone when working in a machine's hazardous zones. If a person is able to step into the hazardous zone of a machine and remain behind the sensor's detection zone, configure the system with an interlock function that prevents the machine from being restarted. Otherwise it may result in heavy injury.

**F3SJ-B** **F3SJ-A**

Install the interlock reset switch in a location that provides a clear view of the entire hazardous area and where it cannot be activated from within the hazardous area.

**F3SJ-E** **F3SJ-B** **F3SJ-A**

The F3SJ cannot protect a person from a projectile exiting the hazardous zone. Install protective cover(s) or fence(s).

**F3SJ-A**

When detection of an area has been disabled by the fixed blanking function, provide a protective structure around the entire area that will prevent a person from passing through it and reaching the hazardous part of the machinery. Failure to do so may prevent detection of people and result in serious injury.

**F3SJ-A**

After setting the fixed blanking function, be sure to confirm that a test rod is detected within all areas that require detection. Failure to do so may prevent detection of people and result in serious injury.

**F3SJ-A**

When the fixed blanking function or the floating blanking function is used, the diameter for the smallest detectable object becomes larger. Be sure to use the diameter for the smallest detectable object for the fixed blanking function or the floating blanking function when calculating the safety distance. Failure to do so may prevent the machinery from stopping before a person reaches the hazardous part of the machinery, and result in serious injury.

**F3SJ-B** **F3SJ-A**

The muting and override functions disable the safety functions of the device. Additional safety measures must be taken to ensure safety while these functions are working.

**F3SJ-B F3SJ-A**

Install muting sensors so that they can distinguish between the object that is being allowed to pass through the detection zone and a person. If the muting function is activated by the detection of a person, it may result in serious injury.

**F3SJ-B F3SJ-A**

Muting lamps (external indicators) that indicate the state of the muting and override functions must be installed where they are clearly visible to workers from all the operating positions.

**F3SJ-A**

Muting times must be precisely set according to the application by qualified personnel who have received appropriate training. In particular, if the muting time limit is to be set to infinity, the person who makes the setting must bear responsibility.

**F3SJ-B F3SJ-A**

Use two independent input devices for the muting inputs.

**F3SJ-B F3SJ-A**

Install the F3SJ, Muting Sensors, or a protective wall so that workers cannot enter hazardous areas while muting is in effect, and set muting times.

**F3SJ-B F3SJ-A**

Position the switch that is used to activate the override function in a location where the entire hazardous area can be seen, and where the switch cannot be operated from inside the hazardous area. Make sure that nobody is in the hazardous area before activating the override function.

**F3SJ-E F3SJ-B F3SJ-A**

Install the sensor system so that it is not affected by reflective surfaces. Failure to do so may hinder detection, resulting in serious injury.

**F3SJ-E F3SJ-B F3SJ-A**

When using more than 1 set of F3SJ, install them so that mutual interference does not occur, such as by configuring series connections or using physical barriers between adjacent sets.

**F3SJ-E F3SJ-B F3SJ-A**

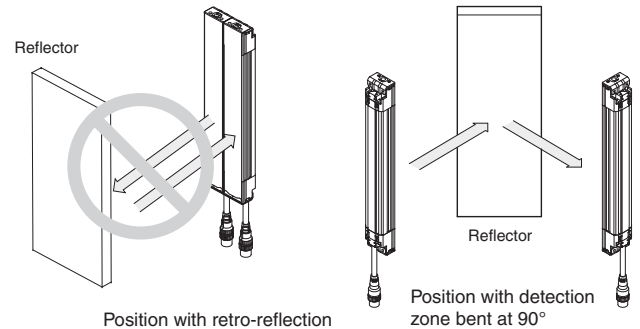
Make sure that the F3SJ is securely mounted and its cables and connectors are properly secured.

**F3SJ-E F3SJ-B F3SJ-A**

Make sure that no foreign material, such as water, oil or dust, enters the inside of the F3SJ while the cap is removed.

**F3SJ-E F3SJ-B F3SJ-A**

Do not use the sensor system with mirrors in a regressive reflective configuration. Doing so may hinder detection. It is possible to use mirrors to "bend" the detection zone to a 90-degree angle.



**F3SJ-E F3SJ-B F3SJ-A**

When using series connections, perform inspection of all connected F3SJs as instructed in the User's Manual.

**For wiring**



**F3SJ-E F3SJ-B F3SJ-A**

[For PNP output]

Connect the load between the output and 0V line.

[For NPN output]

Connect the load between the output and +24V line. If +24 V and 0 V are connected, it is dangerous because operation mode is inverted to "ON when interrupted".

**F3SJ-E F3SJ-B F3SJ-A**

[For PNP output]

Do not short-circuit an output line to +24 V line. Otherwise, the output is always ON. Also, 0 V of the power supply must be grounded so that output should not turn ON due to grounding of the output line.

[For NPN output]

Do not short-circuit an output line to 0 V line. Otherwise, the output is always ON. Also, +24 V of the power supply must be grounded so that output should not turn ON due to grounding of the output line.

**F3SJ-E F3SJ-B F3SJ-A**

Configure the system by using the optimal number of safety outputs that satisfy the requirements of the necessary safety category.

**F3SJ-E F3SJ-B F3SJ-A**

Do not connect each line of F3SJ to a DC power supply higher than 24 V+20%. Also, do not connect to an AC power supply. Failure to do so may result in electric shock.



# F3SJ-E/F3SJ-B/F3SJ-A

F3SJ-E F3SJ-B F3SJ-A

For F3SJ to comply with IEC 61496-1 and UL 508, the DC power supply unit must satisfy all of the following conditions:

- Must be within rated power voltage (24 VDC±20%).
- Must have tolerance against the total rated current of devices if it is connected to multiple devices.
- Must comply with EMC directives (industrial environment)
- Double or enhanced insulation must be applied between the primary and secondary circuits
- Automatic recovery of overcurrent protection characteristics (reversed L sagging)
- Output holding time must be 20 ms or longer
- Must satisfy output characteristic requirements for class 2 circuit or limited voltage current circuit defined by UL 508
- Must comply with EMC, laws, and regulations of a country or a region where F3SJ is used. (Ex: In EU, the power supply must comply to the EMC Low Voltage Directive)

F3SJ-E F3SJ-B F3SJ-A

Double or enhanced insulation from hazardous voltage must be applied to all input and output lines. Failure to do so may result in electric shock.

F3SJ-E F3SJ-B F3SJ-A

**Note:** Keep the cable length within the rated length. Failure to do so is dangerous as it may prevent safety functions from operating normally.

F3SJ-E F3SJ-B F3SJ-A

Make sure to perform wiring while the power supply is OFF.

Others F3SJ-E F3SJ-B F3SJ-A

## WARNING

To use the F3SJ in PSDI mode (Reinitiation of cyclic operation by the protective equipment), you must configure an appropriate circuit between the F3SJ and the machine. For details about PSDI, refer to OSHA1910.217, IEC 61496-1, and other relevant standards and regulations.

Do not try to disassemble, repair, or modify this product. Doing so may cause the safety functions to stop working properly.

Do not use the F3SJ in environments where flammable or explosive gases are present. Doing so may result in explosion.

Perform daily and 6-month inspections for the F3SJ. Otherwise, the system may fail to work properly, resulting in serious injury.

Do not use radio equipment such as cellular phones, walkie-talkies, or transceivers near the F3SJ.

**Note:** For customers using the F3SJ-B□□□□P25-01TS:  
The functions available are external test, lockout reset, auxiliary output and series connection.

## Installation Conditions

Detection Zone and Approach F3SJ-E F3SJ-B F3SJ-A

### WARNING

Install a protective structure so that the hazardous part of a machine can only be reached by passing through the sensor's detection zone. Install the sensors so that part of the person is always present in the detection zone when working in a machine's hazardous zones.

If a person is able to step into the hazardous zone of a machine and remain behind the F3SJ's detection zone, configure the system with an interlock function that prevents the machine from being restarted. Failure to do so may result in serious injury.

Install the interlock reset switch in a location that provides a clear view of the entire hazardous zone and where it cannot be activated from within the hazardous zone.

The F3SJ cannot protect a person from a projectile exiting the hazardous zone. Install protective cover(s) or fence(s).

### Right positions

The hazardous zone of a machine can be reached only by passing through the sensor's detection zone.



While working, a person is inside the sensor's detection zone.

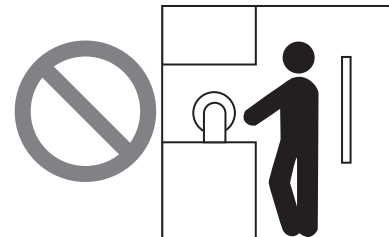


### Incorrect installation

It is possible to reach the hazardous zone of a machine without passing through the sensor's detection zone.

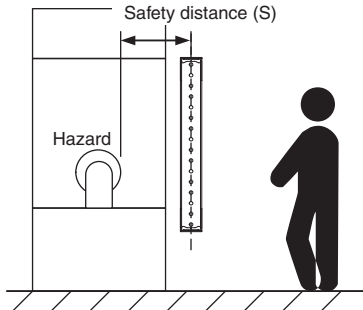


A person is between the sensor's detection zone and the hazardous zone of a machine.



**Safety Distance** F3SJ-E F3SJ-B F3SJ-A

The safety distance is the distance that must be set between the F3SJ and a machine's hazardous part to stop the hazardous part before a person or object reaches it. The safety distance varies according to the standards of each country and the individual specifications of each machine. In addition, the calculation of the safety distance differs if the direction of approach is not vertical to the detection zone of the F3SJ. Always refer to relevant standards.



**WARNING**

**Make sure to secure the safety distance (S) between the F3SJ and the hazardous part. Failure to do so may prevent the machinery from stopping before a person reaches the hazardous part of the machinery, and result in serious injury.**

**Note:** The response time of a machine is the time period from when the machine receives a stop signal to when the machine's hazardous part stops. Measure the response time on the actual system. Also, periodically check that the response time of the machine has not changed.

**How to calculate the safety distance specified by International Standard ISO 13855 (European Standard EN ISO 13855) (Reference)**

If a person approaches the detection zone of the F3SJ perpendicularly

$$S = K \times T + C \dots \text{Formula (1)}$$

- S: Safety distance
- K: Approach speed to the detection zone
- T: Total response time of the machine and F3SJ
- C: Additional distance calculated by the detection capability of the F3SJ

System that has detection capability of 40 mm max. Use  $K = 2,000 \text{ mm/s}$  and  $C = 8 \times (d - 14 \text{ mm})$  in equation (1) for the calculation.

$$S = 2,000 \text{ mm/s} \times (T_m + T_s) + 8 \times (d - 14 \text{ mm})$$

- S = Safety distance (mm)
- $T_m$  = Machine's response time (s)
- $T_s$  = Response time of the F3SJ from ON to OFF (s)
- d = Size of F3SJ's detection capability (mm)

[Calculation example]

When  $T_m = 0.05 \text{ s}$ ,  $T_s = 0.01 \text{ s}$ , and  $d = 14 \text{ mm}$ :  
 $S = 2,000 \text{ mm/s} \times (0.05 \text{ s} + 0.01 \text{ s}) + 8 \times (14 \text{ mm} - 14 \text{ mm})$   
 $= 120 \text{ mm} \dots \text{Eq. (2)}$

If the result is less than 100 mm, use  $S = 100 \text{ mm}$ .

If the result exceeds 500 mm, use the following formula where  $K = 1,600 \text{ mm/s}$ .

$$S = 1,600 \text{ mm/s} \times (T_m + T_s) + 8 \times (d - 14 \text{ mm}) \dots \text{Formula (3)}$$

If the result of this Eq. (3) is less than 500 mm,

$$S = 500 \text{ mm}$$

System that has a detection capability larger than 40 mm Use  $K = 1,600 \text{ mm/s}$  and  $C = 8 \times (d - 850 \text{ mm})$  in equation (1) for the calculation.

$$S = 1,600 \text{ mm/s} \times (T_m + T_s) + 850 \times (d - 14 \text{ mm}) \dots \text{Formula (4)}$$

- S = Safety distance (mm)
- $T_m$  = Machine's response time (s)
- $T_s$  = Response time of the F3SJ from ON to OFF (s)

[Calculation example]

When  $T_m = 0.05 \text{ s}$ ,  $T_s = 0.01 \text{ s}$ :  
 $S = 1,600 \text{ mm/s} \times (0.05 \text{ s} + 0.01 \text{ s}) + 850 \text{ mm}$   
 $= 946 \text{ mm}$

**How to calculate the safety distance specified by American standard ANSI B11.19 (Ref.)**

If a person approaches the detection zone of the F3SJ perpendicularly, calculate the safety distance as shown below.

$$S = K \times (T_s + T_c + T_r + T_{bm}) + D_{pf}$$

- S: Safety distance
- K: Approach speed to the detection zone  
(the value recommended by OSHA standard is 1,600 mm/s)
- Approach speed K is not specified in the ANSI B.11.19 standard. To determine the value of K to apply, consider all factors, including the operator's physical ability.
- $T_s$  = Machine's stop time (s)
- $T_s$  = Response time of the F3SJ from ON to OFF (s)
- $T_c$  = Machine control circuit's maximum response time required to activate its brake (s)
- $T_{bm}$  = Additional time (s)

If a machine has a brake monitor, " $T_{bm}$  = Brake monitor setting time - ( $T_s + T_c$ )". If it has no brake monitor, we recommend using 20% or more of ( $T_s + T_c$ ) as additional time.

- $D_{pf}$  = Additional distance

According to ANSI's formula,  $D_{pf}$  is calculated as shown below:  
 $D_{pf} = 3.4 \times (d - 7.0)$ : Where d is the detection capability of the F3SJ (unit: mm)

[Calculation example]

When  $K = 1,600 \text{ mm/s}$ ,  $T_s + T_c = 0.06 \text{ s}$ , brake monitor setting time = 0.1 s,  $T_r = 0.01 \text{ s}$ , and  $d = 14 \text{ mm}$ :  
 $T_{bm} = 0.1 - 0.06 = 0.04 \text{ s}$   
 $D_{pf} = 3.4 \times (14 - 7.0) = 23.8 \text{ mm}$   
 $S = 1,600 \text{ mm/s} \times (0.06 \text{ s} + 0.01 \text{ s} + 0.04 \text{ s}) + 23.8 \text{ mm} = 199.8 \text{ mm}$

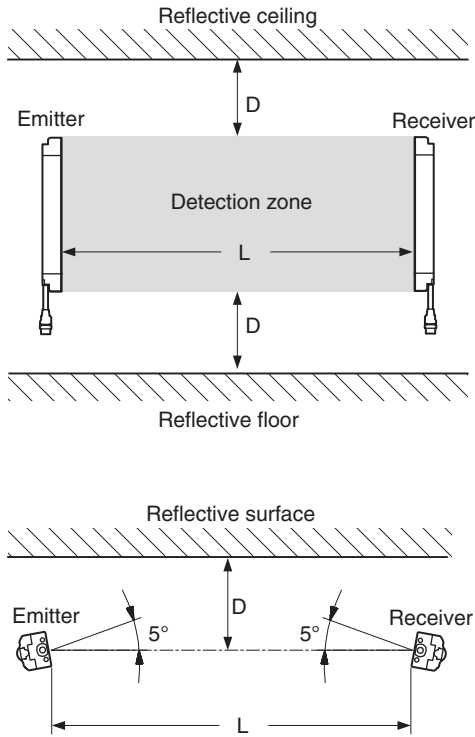
# F3SJ-E/F3SJ-B/F3SJ-A

## Distance from Reflective Surface F3SJ-E F3SJ-B F3SJ-A

### **WARNING**

Install the sensor system so that it is not affected by reflection from a reflective surface. Failure to do so may hinder detection, resulting in serious injury.

Install the sensor system at distance D or further from highly reflective surfaces such as metallic walls, floors, ceilings, or workpieces, as shown below.



| Distance between emitter and receiver (operating range L) | Allowable installation distance D              |
|---|--|
| For 0.2 to 3 m  | 0.13 m   |
| For 3 m or more   | $L/2 \times \tan 5^\circ = L \times 0.044$ (m) |

## Mutual Interference Prevention F3SJ-E F3SJ-B F3SJ-A

### **WARNING**

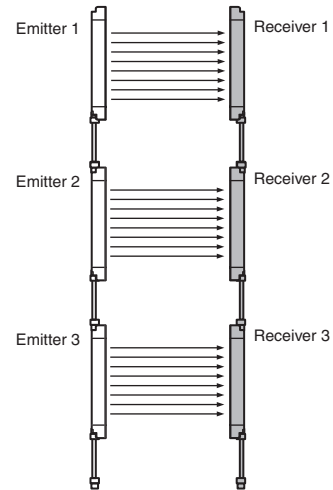
Do not use the sensor system with mirrors in a regressive reflective configuration. Doing so may hinder detection. It is possible to use mirrors to "bend" the detection zone to a 90-degree angle.

When using more than 1 set of F3SJ, install them so that mutual interference does not occur, such as by configuring series connections or using physical barriers between adjacent sets.

Mutual interference from other F3SJ is prevented in up to 3 sets without series connection.

### For series connection F3SJ-B F3SJ-A

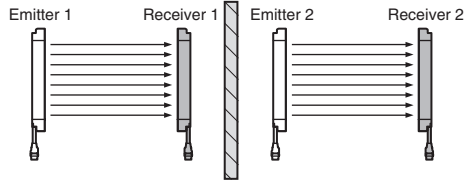
Series connection can prevent mutual interference when multiple sensors are used. Up to 3 sets with 192 beam for F3SJ-B series, or up to 4 sets with 400 beams for F3SJ-A series can be series-connected. Emission of series-connected F3SJ is time-divided, ensuring safety without occurring mutual interference.



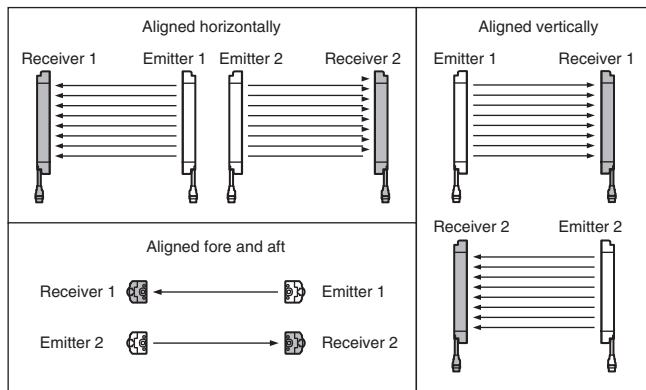
## No series connections **F3SJ-B** **F3SJ-A**

Mutual interference is prevented in up to three sets, using interference light detection and cycle shift algorithm.  
 If 4 or more sets of F3SJs are installed and are not connected to each other, arrange them so that mutual interference does not occur.  
 If two sets are installed near each other, reflection from the surface of the F3SJ may cause mutual interference. When mutual interference occurs, the safety outputs are turned OFF momentarily or the F3SJ enters lockout state. Combining countermeasures 1 to 3 shown below is effective.

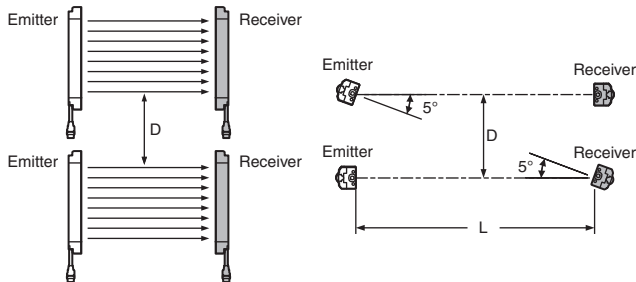
### 1. Install a physical barrier



### 2. Alternate the direction of emission (alternation)

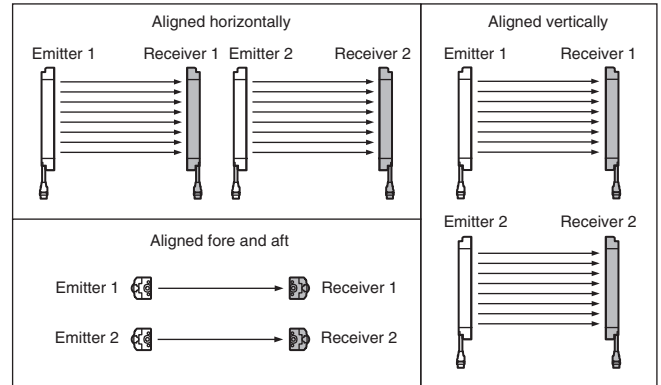


### 3. Keep sufficient distance between the F3SJs so that mutual interference does not occur



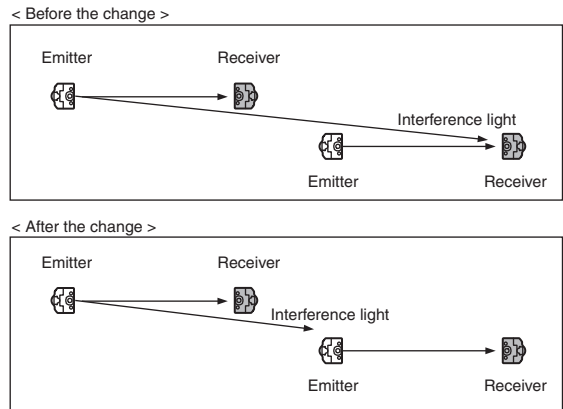
| Distance between emitter and receiver (operating range L) | Allowable installation distance D                    |
|---|--|
| For 0.2 to 3 m  | 0.26 m   |
| For 3 m or more   | $L \times \tan 5^\circ = L \times 0.088 \text{ (m)}$ |

Installation shown below may cause mutual interference. When mutual interference occurs, the safety outputs are turned OFF momentarily or the F3SJ enters lockout state.



## F3SJ-A

If two sets are installed near each other, reflection from the surface of the F3SJ may cause mutual interference. Use of F3SJ-A can improve the condition by shortening operating range with the setting tool.



# F3SJ-E/F3SJ-B/F3SJ-A

## Related Manuals

| Man. No. | Model                  | Manual name   |
|----------|------------------------|---|
| SCHG-718 | F3SJ-A□□□□P□□          | F3SJ-A□□□□P□□ (Ver.2) Safety Light Curtain User's Manual    |
| SCHG-720 | F3SJ-A□□□□P□□-TS       | F3SJ-A□□□□P□□-TS Safety Light Curtain User's Manual         |
| SCHG-722 | F3SJ-A□□□□P20-01TS     | F3SJ-A□□□□P20-01TS Safety Light Curtain User's Manual       |
| SCHG-719 | F3SJ-A□□□□N□□          | F3SJ-A□□□□N□□(Ver.2) Safety Light Curtain User's Manual     |
| SCHG-726 | F3SJ-A□□□□N□□-01T      | F3SJ-A□□□□N□□-01T(Ver.2) Safety Light Curtain User's Manual |
| SCHG-716 | F3SJ-AM□□□□            | F3SJ-AM□□□□(Ver.2) Multi-beam Safety Sensor User's Manual   |
| SCHG-734 | F3SJ-B□□□□P25-01TS     | F3SJ-B□□□□P25-01TS Safety Light Curtain User's Manual       |
| SCHG-733 | F3SJ-E□□□□N25/B□□□□N25 | F3SJ-E□□□□N25/B□□□□N25 Safety Light Curtain User's Manual   |
| SCHG-732 | F3SJ-E□□□□P25/B□□□□P25 | F3SJ-E□□□□P25/B□□□□P25 Safety Light Curtain User's Manual   |
| SCHG-712 | F39-MC21               | F39-MC21 F39-MC21 Setting Console Instruction Sheet         |
| SCHG-736 | F3SJ-B□□□□P25-02TS     | F3SJ-B□□□□P25-02TS Safety Light Curtain User's Manual       |

# Terms and Conditions Agreement

## **Read and understand this catalog.**

Please read and understand this catalog before purchasing the products. Please consult your OMRON representative if you have any questions or comments.

## **Warranties.**

(a) Exclusive Warranty. Omron's exclusive warranty is that the Products will be free from defects in materials and workmanship for a period of twelve months from the date of sale by Omron (or such other period expressed in writing by Omron). Omron disclaims all other warranties, express or implied.

(b) Limitations. OMRON MAKES NO WARRANTY OR REPRESENTATION, EXPRESS OR IMPLIED, ABOUT NON-INFRINGEMENT, MERCHANTABILITY OR FITNESS FOR A PARTICULAR PURPOSE OF THE PRODUCTS. BUYER ACKNOWLEDGES THAT IT ALONE HAS DETERMINED THAT THE PRODUCTS WILL SUITABLY MEET THE REQUIREMENTS OF THEIR INTENDED USE.

Omron further disclaims all warranties and responsibility of any type for claims or expenses based on infringement by the Products or otherwise of any intellectual property right. (c) Buyer Remedy. Omron's sole obligation hereunder shall be, at Omron's election, to (i) replace (in the form originally shipped with Buyer responsible for labor charges for removal or replacement thereof) the non-complying Product, (ii) repair the non-complying Product, or (iii) repay or credit Buyer an amount equal to the purchase price of the non-complying Product; provided that in no event shall Omron be responsible for warranty, repair, indemnity or any other claims or expenses regarding the Products unless Omron's analysis confirms that the Products were properly handled, stored, installed and maintained and not subject to contamination, abuse, misuse or inappropriate modification. Return of any Products by Buyer must be approved in writing by Omron before shipment. Omron Companies shall not be liable for the suitability or unsuitability or the results from the use of Products in combination with any electrical or electronic components, circuits, system assemblies or any other materials or substances or environments. Any advice, recommendations or information given orally or in writing, are not to be construed as an amendment or addition to the above warranty.

See <http://www.omron.com/global/> or contact your Omron representative for published information.

## **Limitation on Liability; Etc.**

OMRON COMPANIES SHALL NOT BE LIABLE FOR SPECIAL, INDIRECT, INCIDENTAL, OR CONSEQUENTIAL DAMAGES, LOSS OF PROFITS OR PRODUCTION OR COMMERCIAL LOSS IN ANY WAY CONNECTED WITH THE PRODUCTS, WHETHER SUCH CLAIM IS BASED IN CONTRACT, WARRANTY, NEGLIGENCE OR STRICT LIABILITY.

Further, in no event shall liability of Omron Companies exceed the individual price of the Product on which liability is asserted.

## **Suitability of Use.**

Omron Companies shall not be responsible for conformity with any standards, codes or regulations which apply to the combination of the Product in the Buyer's application or use of the Product. At Buyer's request, Omron will provide applicable third party certification documents identifying ratings and limitations of use which apply to the Product. This information by itself is not sufficient for a complete determination of the suitability of the Product in combination with the end product, machine, system, or other application or use. Buyer shall be solely responsible for determining appropriateness of the particular Product with respect to Buyer's application, product or system. Buyer shall take application responsibility in all cases.

NEVER USE THE PRODUCT FOR AN APPLICATION INVOLVING SERIOUS RISK TO LIFE OR PROPERTY OR IN LARGE QUANTITIES WITHOUT ENSURING THAT THE SYSTEM AS A WHOLE HAS BEEN DESIGNED TO ADDRESS THE RISKS, AND THAT THE OMRON PRODUCT(S) IS PROPERLY RATED AND INSTALLED FOR THE INTENDED USE WITHIN THE OVERALL EQUIPMENT OR SYSTEM.

## **Programmable Products.**

Omron Companies shall not be responsible for the user's programming of a programmable Product, or any consequence thereof.

## **Performance Data.**

Data presented in Omron Company websites, catalogs and other materials is provided as a guide for the user in determining suitability and does not constitute a warranty. It may represent the result of Omron's test conditions, and the user must correlate it to actual application requirements. Actual performance is subject to the Omron's Warranty and Limitations of Liability.

## **Change in Specifications.**

Product specifications and accessories may be changed at any time based on improvements and other reasons. It is our practice to change part numbers when published ratings or features are changed, or when significant construction changes are made. However, some specifications of the Product may be changed without any notice. When in doubt, special part numbers may be assigned to fix or establish key specifications for your application. Please consult with your Omron's representative at any time to confirm actual specifications of purchased Product.

## **Errors and Omissions.**

Information presented by Omron Companies has been checked and is believed to be accurate; however, no responsibility is assumed for clerical, typographical or proofreading errors or omissions.

**OMRON Corporation** Industrial Automation Company  
Tokyo, JAPAN

Contact: [www.ia.omron.com](http://www.ia.omron.com)

**Regional Headquarters**

**OMRON EUROPE B.V.**

Wegalaan 67-69-2132 JD Hoofddorp  
The Netherlands  
Tel: (31)2356-81-300/Fax: (31)2356-81-388

**OMRON SCIENTIFIC TECHNOLOGIES INC.**

6550 Dumbarton Circle,  
Fremont, CA 94555-3605 U.S.A.  
Tel: (1) 510-608-3400/Fax: (1) 510-744-1442

**OMRON ASIA PACIFIC PTE. LTD.**

No. 438A Alexandra Road # 05-05/08 (Lobby 2),  
Alexandra Technopark,  
Singapore 119967  
Tel: (65) 6835-3011/Fax: (65) 6835-2711

**OMRON (CHINA) CO., LTD.**

Room 2211, Bank of China Tower,  
200 Yin Cheng Zhong Road,  
PuDong New Area, Shanghai, 200120, China  
Tel: (86) 21-5037-2222/Fax: (86) 21-5037-2200

Authorized Distributor:

© OMRON Corporation 2005-2014 All Rights Reserved.  
In the interest of product improvement,  
specifications are subject to change without notice.

CSM\_25\_1\_0315

Cat. No. F074-E1-11

0114(0505)



Компания «Океан Электроники» предлагает заключение долгосрочных отношений при поставках импортных электронных компонентов на взаимовыгодных условиях!

Наши преимущества:

- Поставка оригинальных импортных электронных компонентов напрямую с производств Америки, Европы и Азии, а так же с крупнейших складов мира;
- Широкая линейка поставок активных и пассивных импортных электронных компонентов (более 30 млн. наименований);
- Поставка сложных, дефицитных, либо снятых с производства позиций;
- Оперативные сроки поставки под заказ (от 5 рабочих дней);
- Экспресс доставка в любую точку России;
- Помощь Конструкторского Отдела и консультации квалифицированных инженеров;
- Техническая поддержка проекта, помощь в подборе аналогов, поставка прототипов;
- Поставка электронных компонентов под контролем ВП;
- Система менеджмента качества сертифицирована по Международному стандарту ISO 9001;
- При необходимости вся продукция военного и аэрокосмического назначения проходит испытания и сертификацию в лаборатории (по согласованию с заказчиком);
- Поставка специализированных компонентов военного и аэрокосмического уровня качества (Xilinx, Altera, Analog Devices, Intersil, Interpoint, Microsemi, Actel, Aeroflex, Peregrine, VPT, Syfer, Eurofarad, Texas Instruments, MS Kennedy, Miteq, Cobham, E2V, MA-COM, Hittite, Mini-Circuits, General Dynamics и др.);

Компания «Океан Электроники» является официальным дистрибьютором и эксклюзивным представителем в России одного из крупнейших производителей разъемов военного и аэрокосмического назначения «JONHON», а так же официальным дистрибьютором и эксклюзивным представителем в России производителя высокотехнологичных и надежных решений для передачи СВЧ сигналов «FORSTAR».



## JONHON

«JONHON» (основан в 1970 г.)

Разъемы специального, военного и аэрокосмического назначения:

(Применяются в военной, авиационной, аэрокосмической, морской, железнодорожной, горно- и нефтедобывающей отраслях промышленности)

«FORSTAR» (основан в 1998 г.)

ВЧ соединители, коаксиальные кабели,  
кабельные сборки и микроволновые компоненты:

(Применяются в телекоммуникациях гражданского и специального назначения, в средствах связи, РЛС, а так же военной, авиационной и аэрокосмической отраслях промышленности).



Телефон: 8 (812) 309-75-97 (многоканальный)

Факс: 8 (812) 320-03-32

Электронная почта: [ocean@oceanchips.ru](mailto:ocean@oceanchips.ru)

Web: <http://oceanchips.ru/>

Адрес: 198099, г. Санкт-Петербург, ул. Калинина, д. 2, корп. 4, лит. А