

Switching Regulator with external FET

# 3.9 to 30V, 2ch Synchronous Rectification Step-Down Controller

**BD9015KV-M BD9016KV-M**

**General Description**

The BD9015KV-M and BD9016KV-M are high performance synchronous rectification switching controllers with wide input range and dual channel output. The synchronous rectification method comes with high efficiency making controller ideal for eco-designs (low power consumption) of numerous electronics. All channels have enable pins, soft start functionality and power good outputs. Startup and shutdown can be controlled independently. An integrated PLL circuit can be synchronized to an external 250kHz to 600kHz clock signal.

**Features**

- N channel MOSFET direct drive
- Synchronous rectification for increased efficiency
- Acceptable Low ESR ceramic capacitor at output
- Integrated PLL circuit for external synchronization; 250kHz to 600kHz
- Current mode control
- High side MOSFET current sensing
- Pre-bias functionality
- Independent ON/OFF control for all channels
- At Max Duty the oscillation frequency is slowed down to 1/5, reducing the input/output voltage difference.
- Low voltage and over voltage detection circuit at all outputs  
When the over voltage is detected, the L-side FET is OFF (BD9015KV-M). The L-side FET is ON (BD9016KV-M).  
Low side FET is ON (BD9016KV-M)
- Power good indicator pin (PGOOD)
- Integrated overcurrent protection with self recovery.

**Key Specifications**

- Input voltage range: 3.9 V to 30 V
- Output voltage range: 0.8 V to 10 V
- Accurate voltage reference: ±1.5% (-40°C to +105°C)
- Switching frequency: 250 kHz to 550 kHz
- Shutdown current: 0µA (Typ)
- Operating temperature range: -40°C to + 105 °C

**Package**  
VQFP48C

W (Typ) x D (Typ) x H (Max)  
9.00 mm x 9.00 mm x 1.60 mm



VQFP48C

**Applications**

- Car audio, Car navigation
- LCDTV, PDPTV, DVD, PC, etc..

**Typical Application Circuit**

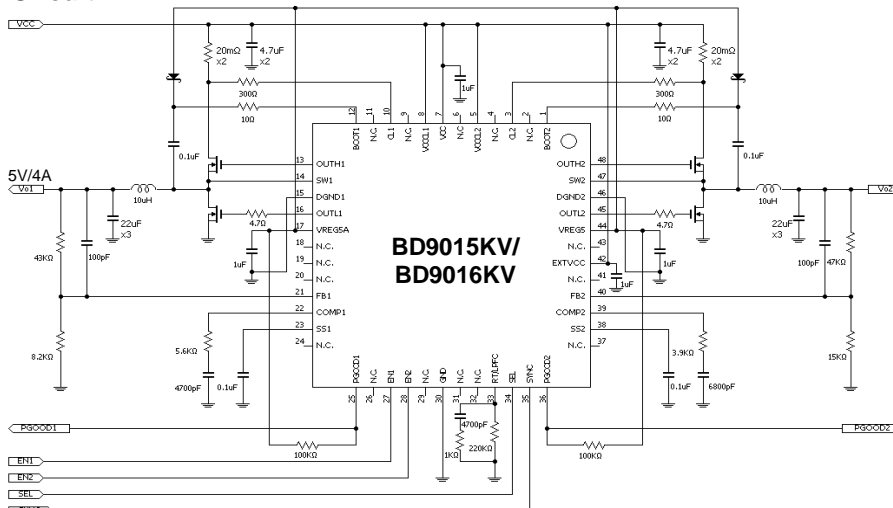


Figure 1. Typical Application Circuit

○Product structure : Silicon monolithic integrated circuit ○This product is not designed for protection against radioactive rays

Pin Configuration

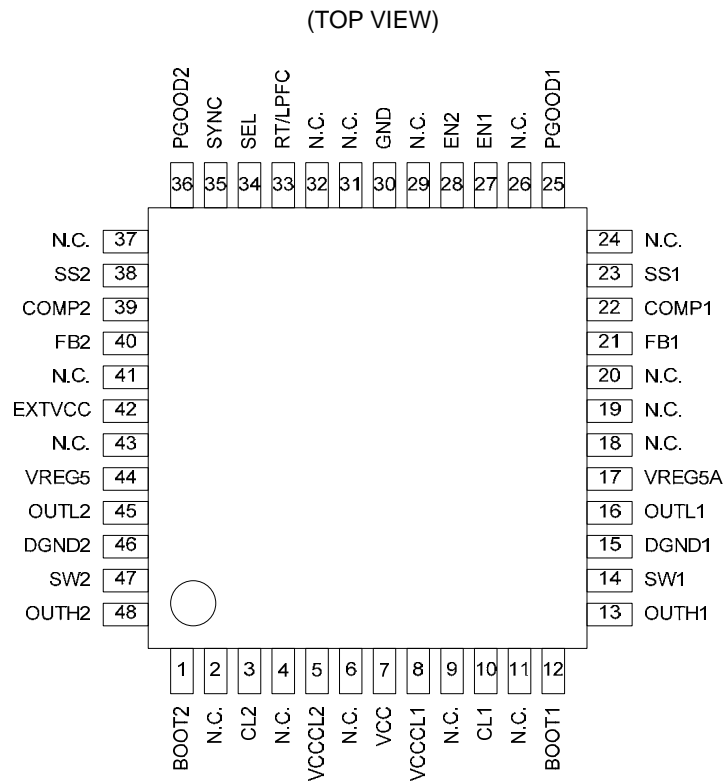


Figure 2. Pin Configuration

Pin Description

Pin No.	Symbol	Function	Pin No.	Symbol	Function
1	BOOT2	Power supply for OUTH2 driver	25	PGOOD1	Power good output pin 1
2	N.C.	Not connected	26	N.C.	Not connected
3	CL2	Current detection setting pin 2	27	EN1	Output 1 ON / OFF pin
4	N.C.	Not connected	28	EN2	Output 2 ON / OFF pin
5	VCCCL2	Power supply for current detection 2	29	N.C.	Not connected
6	N.C.	Not connected	30	GND	Ground pin
7	VCC	Power supply pin	31	N.C.	Not connected
8	VCCCL1	Power supply for current detection 1	32	N.C.	Not connected
9	N.C.	Not connected	33	RT/LPFC	Oscillation frequency setting / filter connection pin
10	CL1	Current detection setting pin 1	34	SEL	External synchronization select pin
11	N.C.	Not connected	35	SYNC	External synchronization pulse input pin
12	BOOT1	Power supply for OUTH1 driver	36	PGOOD2	Power good output pin 2
13	OUTH1	High side FET gate pin 1	37	N.C.	Not connected
14	SW1	High side FET source pin 1	38	SS2	Soft start time setting pin 2
15	DGND1	Low side FET source pin 1	39	COMP2	Error amp output 2
16	OUTL1	Low side FET gate pin 1	40	FB2	Error amp input 2
17	VREG5A	REG input for FET driver pin	41	N.C.	Not connected
18	N.C.	Not connected	42	EXTVCC	External power supply input pin
19	N.C.	Not connected	43	N.C.	Not connected
20	N.C.	Not connected	44	VREG5	REG output for FET driver pin
21	FB1	Error amp input 1	45	OUTL2	Low side FET gate pin 2
22	COMP1	Error amp output 1	46	DGND2	Low side FET source pin 2
23	SS1	Soft start time setting pin 1	47	SW2	High side FET source pin 2
24	N.C.	Not connected	48	OUTH2	High side FET gate pin 2

Block Diagram

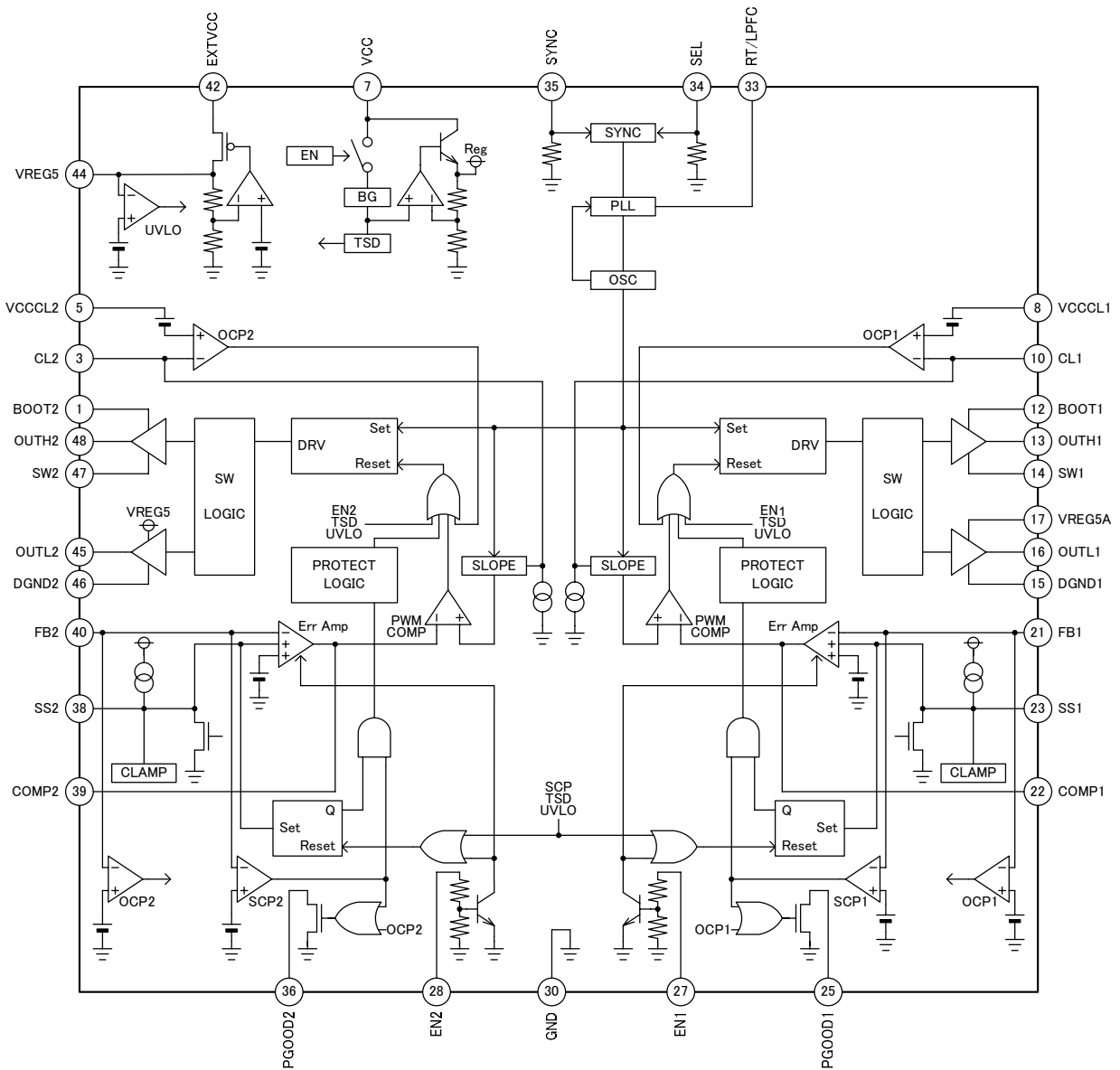


Figure 3. Block Diagram

## Description of Blocks

### (1) Error amplifier

The error amplifier compares the output feedback voltage to the 0.8V reference voltage and provides the comparison result as COMP voltage, which is used to determine the switching duty cycle. As at startup the soft start is based on the SS pin voltage, the COMP voltage is limited to the SS voltage.

### (2) Oscillator

An internal fixed current source sets the oscillation frequency with the help of a single resistor connected to the RT pin. The frequency can be set in the range between 250 kHz to 550 kHz by proper selection of the external resistor. The phase difference between the outputs is 180° to help reduce the input capacitor voltage ripple and power losses. Also, in case the input/output voltage difference is small, the oscillation frequency is divided 5 times from the set value. This increase the maximum duty cycle time and helps to reduce the input to output voltage drop. The maximum Duty is determined by the following equation.

$$\text{Maximum Duty} = (1 - (T_{\text{OFF}} \times f_{\text{OSC}}) / 5) \times 100 \quad [\%]$$

$T_{\text{OFF}}$ : OUTH Minimum OFF time (Max=400ns)  
 $f_{\text{OSC}}$ : Setting frequency

Also above equation is theory value. The maximum duty may be influenced by PCB layout, FET, inductor, etc. Verification and confirmation with the actual application is recommended.

### (3) Slope

The slope block uses the clock produced by the oscillator to generate a saw-tooth wave and sends this wave to the PWM comparator.

### (4) PWM COMP

The PWM comparator determines the switching duty cycle by comparing the error amplifier COMP voltage, with the saw-tooth signal from the slope block. The switching duty cycle is limited internally to a fixed maximum duty, and thus cannot become 100 %.

### (5) Driver(DRV, SW LOGIC)

This block receives the switching Duty determined by the PWM COMP block and generates OUTH and OUTL signals which drive the external FETs. Also, the minimum ON time of OUTH is designed 250ns at the minimum and the minimum OFF time is designed 400ns at the maximum.

### (6) Reference voltage (VREG5)

This block generates the internal reference voltage: 5 V. VREG5 requires an external capacitor. The FET driver supply input (VREG5A) also requires a capacitor. A ceramic capacitor with a value of 2 μF or more with low ESR matching the VREG5 and VREG5A pin is recommended.

### (7) External synchronization (SYNC, PLL)

The internal oscillator circuit can be synchronized with an external signal applied to the SYNC pin. This is done with the help of an internal PLL circuit. In this situation the SEL pin must pulled "H". After applying a clock to the SYNC pin and pulling the SEL pin "H", the internal frequency will synchronize with the applied clock frequency. For synchronization, a clock with a frequency of 250 kHz to 600 kHz and duty of 20 % to 80 % must be used. Note, the SEL pin should be set to H before the EN pin or it should be set to H after the soft start time. In case of using external synchronization, a low pass filter is required for the LPF / RT pin.

### (8) PGOOD pin

This pin monitors the output voltage (FB voltage). If it is within 8.5 % (typ) of the nominal output voltage, PGOOD output is "H". When outside the range of 8.5% the PGOOD output is pulled "L". The PGOOD pin is an open drain output so a pull up resistor is required when used.

### (9) Overcurrent protection (OCP)

The overcurrent protection is activated when the VCCCL to CL voltage drop reaches or exceeds 90mV. Once activated the OUTH duty will be limited and the output voltage lowered.

### (10) Short circuit protection (SCP)

The short circuit protection is activated after the output voltage (FB voltage) drops below 91.5 % and the overcurrent protection is detected 256 times (all SW pulses). Also, if the overcurrent protection is activated in a situation where the FB voltage is equal or less than 0.5 V, this will resemble an output short and the short circuit protection will be activated. If the short circuit protection is activated, for a period of 1024 cycles of oscillation frequency, the output will be turned off and the SS and COMP discharged.

## (11) Overvoltage protection (OVP)

BD9015KV-M, If the output voltage (FB voltage) rises above 108.5 %, OUTH and OUTL will turn off.

Once the output returns to a normal state the chip will recover. However, in case of light load or if recovery takes time, the COMP voltage will drop and recovery will be done with the minimum duty cycle, which may lead to undershoot of the output. In case this undershoot becomes an application problem, the output capacitor should be increased or the phase compensation RC constant should be adjusted.

BD9016KV-M, If the output voltage (FB voltage) rises above 108.5 %, only OUTH will turn off. OUTL continues to turn on and L-side FET will discharge the output capacitance. The ON pulse width of OUTL is determined by PWM COMP. If a short to VCC is considered the countermeasures needed are described in the "Operational Notes" at page 24.

## (12) Under voltage lockout circuit (UVLO)

If the VREG5 voltage drops below 3.6 V (typ) the UVLO is activated and the device will shut down.

## (13) Thermal shutdown (TSD)

If the chip temperature (Tj) reaches or exceeds ca. 150 °C the output is turned off.

## Absolute Maximum Ratings

Parameter	Symbol	Limits	Unit
VCC Voltage	VCC	-0.3 to +35 <sup>(1)</sup>	V
EXTVCC Voltage	EXTVCC	-0.3 to +35 <sup>(1)</sup>	V
VCCCL1, 2 Voltage	VCCCL1, 2	-0.3 to +35 <sup>(1)</sup>	V
CL1, 2 Voltage	V <sub>CL1, 2</sub>	-0.3 to VCCCL1,2	V
SW1, 2 Voltage	V <sub>SW1, 2</sub>	-1.5 to VCCCL1,2	V
BOOT1, 2 Voltage	V <sub>BOOT1, 2</sub>	-0.3 to +40	V
BOOT1, 2 - SW1, 2 Voltage	V <sub>BOOT1, 2-SW1, 2</sub>	-0.3 to +7	V
VREG5, 5A Voltage	VREG5, 5A	-0.3 to +7 or EXTVCC	V
EN1, 2 Voltage	V <sub>EN1, 2</sub>	-0.3 to EXTVCC	V
SS1, 2 Voltage	V <sub>SS1, 2</sub>	-0.3 to VREG5	V
FB1, 2 Voltage	V <sub>FB1, 2</sub>	-0.3 to VREG5	V
COMP1,2 Voltage	V <sub>COMP1, 2</sub>	-0.3 to VREG5	V
RT/LPFC Voltage	V <sub>RT/LPFC</sub>	-0.3 to VREG5	V
PGOOD1,2 Voltage	V <sub>PGOOD1, 2</sub>	-0.3 to +7	V
SEL Voltage	V <sub>SEL</sub>	-0.3 to +7	V
SYNC Voltage	V <sub>SYNC</sub>	-0.3 to +7	V
Power Dissipation	Pd	1.1 <sup>(2)</sup>	W
Operating Temperature Range	T <sub>opr</sub>	-40 to +105	°C
Storage Temperature Range	T <sub>stg</sub>	-55 to +150	°C
Junction Temperature	T <sub>jmax</sub>	+150	°C

(1) Pd should not be exceeded.

(2) 8.8 mW / °C reduction when Ta ≥ 25 °C if mounted on a glass epoxy board of 70 mm × 70 mm × 1.6 mm

## Recommended Operating Ratings (Ta=25°C)

Parameter	Symbol	Limits	Unit
Supply Voltage 1	VCC, EXTVCC	3.9 to 30 <sup>(1)</sup>	V
Supply Voltage 2	VCCCL1, 2, V <sub>CL1, 2</sub>	3 to VCC	V
BOOT1,2 – SW1,2 Voltage	V <sub>BOOT1, 2 - SW1, 2</sub>	3.2 to VREG5	V
Output Voltage	V <sub>O</sub>	0.8 to 10	V
Oscillation Frequency Range	f <sub>OSC</sub>	250 to 550	kHz
Synchronous Frequency Range	f <sub>SYNC_IN</sub>	250 to 600	kHz

(1) In case of using less than 6V, short VCC, EXTVCC and VREG5.

Note, this is the minimum value after 4.5V or higher has been supplied to the supply pin.

## Electrical Characteristics

(Unless otherwise specified: Ta=25°C, VCC=12V, EXTVCC=12V, VCCCL1, VCCCL2=12V, VEN1, VEN2=5V)

Parameter	Symbol	Limits			Unit	Conditions
		Min.	Typ.	Max.		
Circuit Current	I <sub>CC</sub>	-	4	10	mA	
Shutdown Current	I <sub>ST</sub>	-	0	1	μA	V <sub>EN1</sub> , V <sub>EN2</sub> = 0 V Ta = -40 °C to +105 °C
EN Pin Threshold Voltage	V <sub>ENTH</sub>	1.00	2.15	2.70	V	Ta = -40 °C to +105 °C
EN Pin Pull Down Resistor	R <sub>EN</sub>	100	200	400	kΩ	V <sub>EN1</sub> , V <sub>EN2</sub> = 5 V
<b>VREG5</b>						
VREG5 Output Voltage	V <sub>VREG5</sub>	4.7	5.0	5.3	V	I <sub>VREG5</sub> = 6 mA
<b>UVLO</b>						
UVLO Operating Voltage	V <sub>UVLO</sub>	3.3	3.6	3.9	V	VREG5 SWEEP DOWN Ta = -40 °C to 105 °C
Hysteresis Voltage	V <sub>UVLO_HYS</sub>	200	400	600	mV	VREG5 SWEEP UP
<b>Error Amp Block</b>						
FB Pin Source Current	I <sub>FB</sub>	0	0.13	1.00	μA	V <sub>FB1</sub> , V <sub>FB2</sub> = 0.8 V Ta = -40 °C to +105 °C
Reference Voltage 1	V <sub>REF1</sub>	0.792	0.800	0.808	V	FB1, FB2 pin voltage
Reference Voltage 2	V <sub>REF2</sub>	0.788	0.800	0.812	V	FB1, FB2 pin voltage Ta = -40 °C to +105 °C
<b>Oscillator Block</b>						
Oscillation Frequency	f <sub>OSC</sub>	270	300	330	kHz	RT = 200 kΩ
External Synchronous Frequency	f <sub>SYNC</sub>	-	500	-	kHz	RT=200 kΩ f <sub>SYNC_IN</sub> = 500 kHz Ta = -40 °C to +105 °C
SYNC Pin Threshold Voltage	V <sub>SYNCTH</sub>	0.5	1.8	2.5	V	Ta = -40 °C to +105 °C
SYNC Pin Pull Down Resistor	R <sub>SYNC</sub>	125	250	500	kΩ	V <sub>SYNC</sub> = 5 V
SEL Pin Threshold Voltage	V <sub>SELTH</sub>	0.5	1.8	2.5	V	Ta = -40 °C to +105 °C
SEL Pin Pull Down Resistor	R <sub>SEL</sub>	125	250	500	kΩ	V <sub>SEL</sub> = 5 V
LPFC Charge Current	I <sub>LPFCC</sub>	20	30	40	μA	V <sub>RT / LPFC</sub> = 1 V
LPFC Discharge Current	I <sub>LPFDC</sub>	20	30	40	μA	V <sub>RT / LPFC</sub> = 1 V
<b>Soft Start Block</b>						
SS Pin Charge Current	I <sub>SS</sub>	5	10	15	μA	V <sub>SS1</sub> , V <sub>SS2</sub> = 1 V Ta = -40 °C to +105 °C
SS Pin Discharge Current	R <sub>SS</sub>	0.3	0.5	1.7	kΩ	V <sub>SS1</sub> , V <sub>SS2</sub> = 1 V VCC = 3 V
Maximum Voltage	V <sub>SS_MAX</sub>	2.05	2.25	2.45	V	
Standby Voltage	V <sub>SS_STB</sub>	0	0.01	0.10	V	VCC = 3 V Ta = -40 °C to +105 °C

\* This product is not designed to be radiation-resistant.

## Electrical Characteristics

(Unless otherwise specified: Ta=25°C, VCC=12V, EXTVCC=12V, VCCCL1, VCCCL2=12V, VEN1, VEN2=5V)

Parameter	Symbol	Limits			Unit	Conditions
		Min.	Typ.	Max.		
<b>Driver Block</b>						
OUTH Minimum ON Time	T <sub>ON</sub>	-	130	-	ns	
OUTH Minimum OFF Time	T <sub>OFF</sub>	-	200	-	ns	
OUTH→OUTL Dead Time	T <sub>DETHL</sub>	-	35	-	ns	
OUTL→OUTH Dead Time	T <sub>DETLH</sub>	-	35	-	ns	
OUTH High Side ON Resistor	R <sub>ON_HH</sub>	-	2.5	-	Ω	
OUTH Low Side ON Resistor	R <sub>ON_HL</sub>	-	1.7	-	Ω	
OUTL High Side ON Resistor	R <sub>ON_LH</sub>	-	2.5	-	Ω	
OUTL Low Side ON Resistor	R <sub>ON_LL</sub>	-	1.1	-	Ω	
BOOT Pin Current Consumption	I <sub>BOOT</sub>	-	1	-	mA	V <sub>BOOT</sub> = 17 V V <sub>SW1</sub> , V <sub>SW2</sub> = VCCCL
<b>Overcurrent Protection Block</b>						
CL Pin Threshold Voltage 1	V <sub>CL1</sub>	78	90	103	mV	
CL Pin Threshold Voltage 2	V <sub>CL2</sub>	75	90	105	mV	Ta = -40°C to +105°C
CL Pin Sink Current	I <sub>CL</sub>	7	20	40	μA	Ta = -40°C to +105°C
Output Short Detection Voltage	V <sub>SHORT</sub>	0.45	0.50	0.55	V	FB1, FB2 pin voltage
<b>PGOOD Block</b>						
PGOOD ON Resistor	R <sub>PGOOD</sub>	0.5	1.5	2.5	kΩ	V <sub>FB1</sub> , V <sub>FB2</sub> = 0 V Ta = -40 °C to +105 °C
PGOOD Pin Leakage Current	I <sub>PGOOD</sub>	-	0	1	μA	V <sub>PGOOD</sub> = 5 V, V <sub>FB1</sub> , V <sub>FB2</sub> = 0.8 V Ta = -40 °C to +105 °C
Output Overvoltage Detection Voltage	V <sub>OVER</sub>	0.848	0.868	0.888	V	FB1, FB2 pin voltage
Output Low Voltage Detection Voltage	V <sub>LOW</sub>	0.712	0.732	0.752	V	FB1, FB2 pin voltage

\* This product is not designed to be radiation-resistant.



Typical Performance Curves

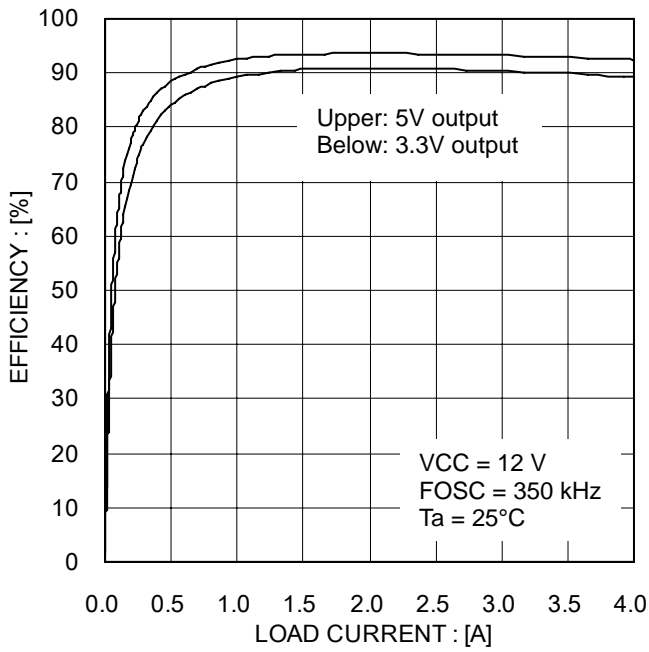


Figure 4. Efficiency

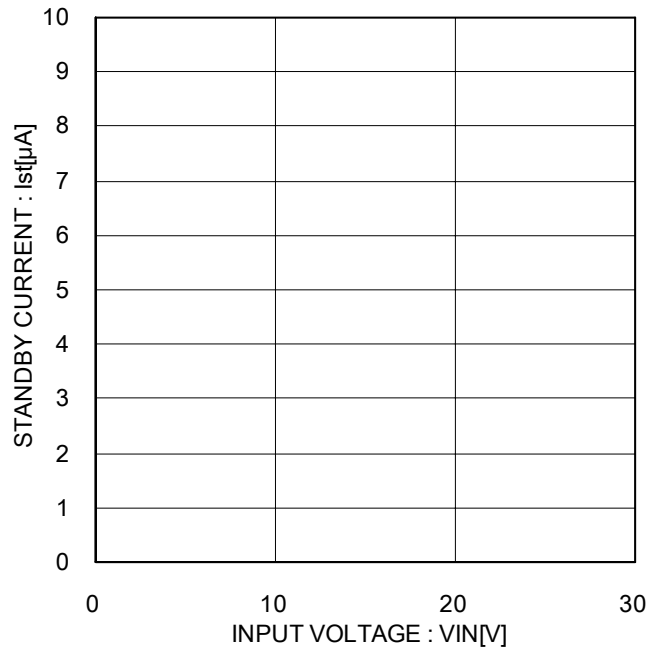


Figure 5. Shutdown Current

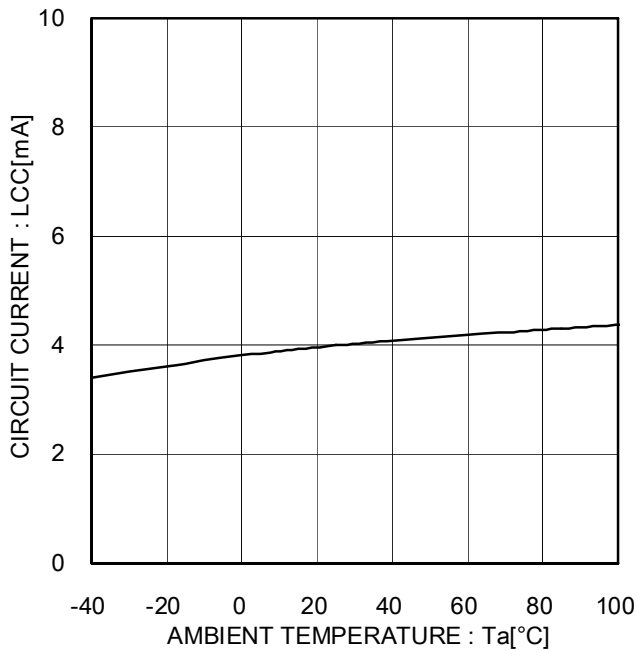


Figure 6. Circuit Current

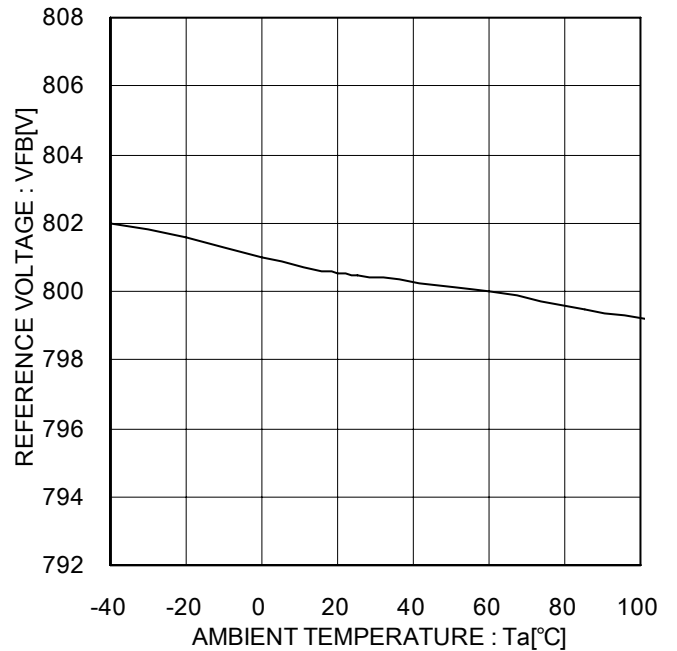


Figure 7. Reference Voltage vs. Temperature Characteristics

Typical Performance Curves

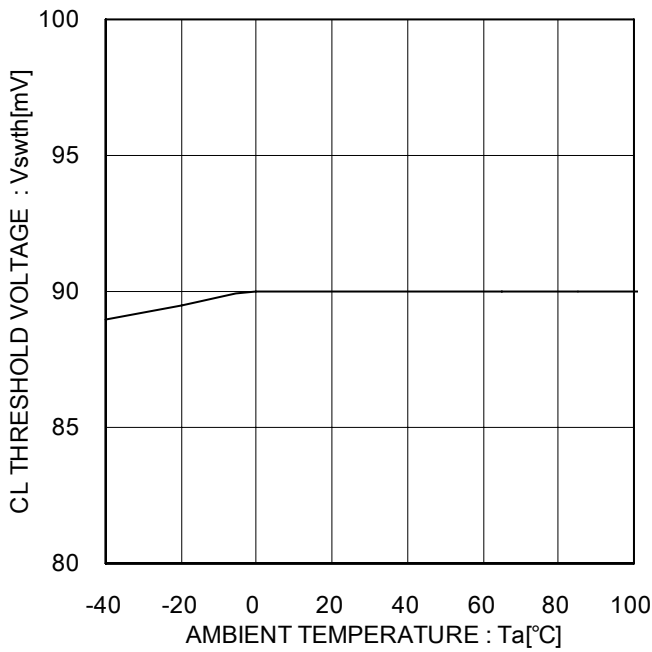


Figure 8. CL Pin Threshold Voltage vs. Temperature Characteristics

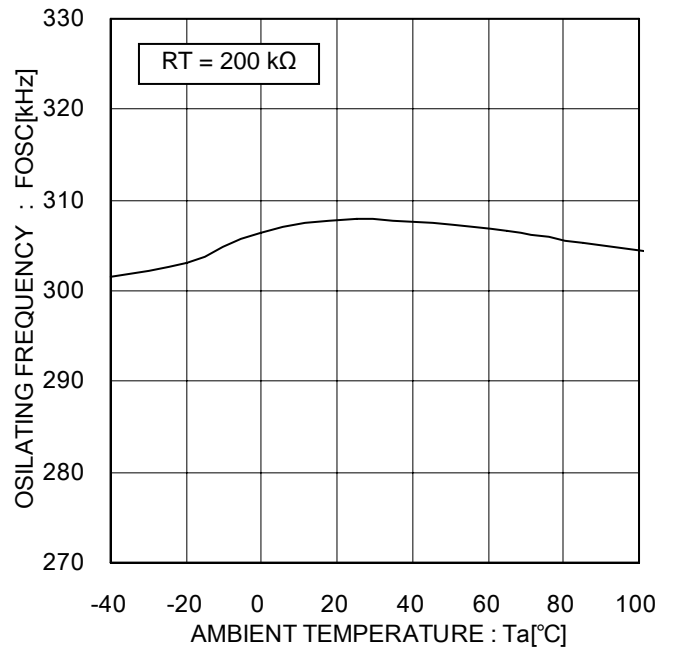


Figure 9. Frequency vs. Temperature Characteristics

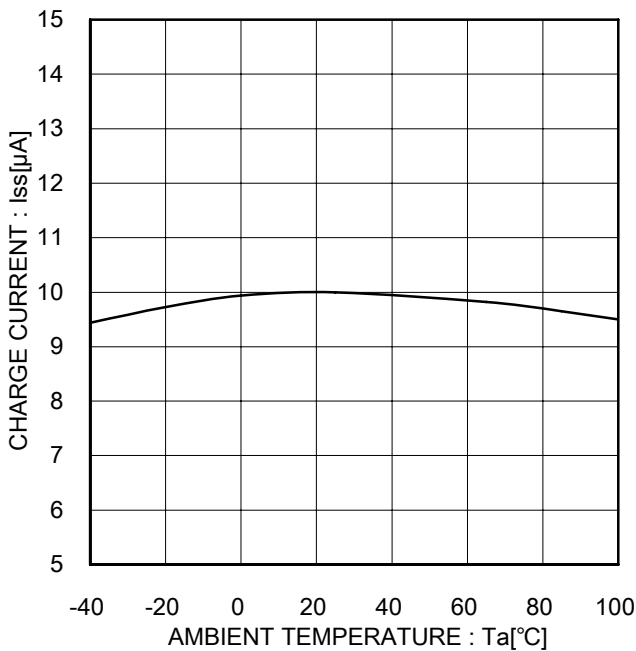


Figure 10. SS Charge Current vs. Temperature Characteristics

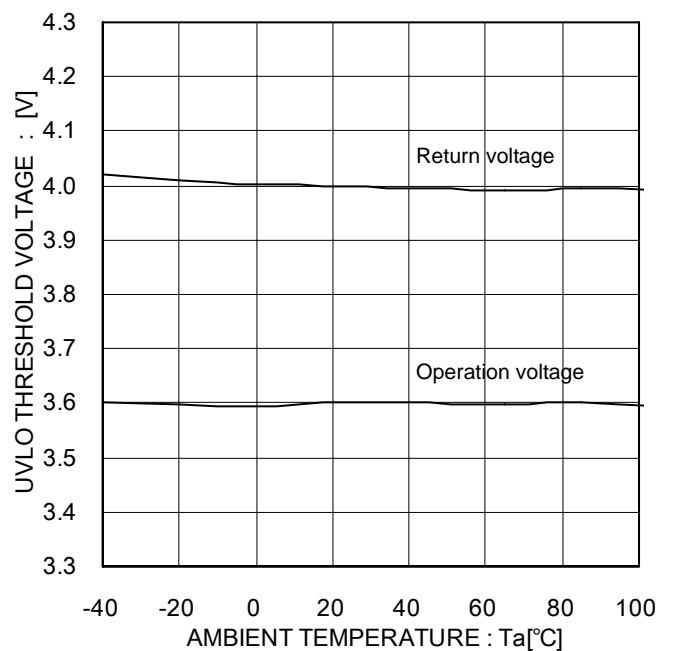


Figure 11. UVLO Operation/Return Voltage vs. Temperature Characteristics

Typical Performance Curves

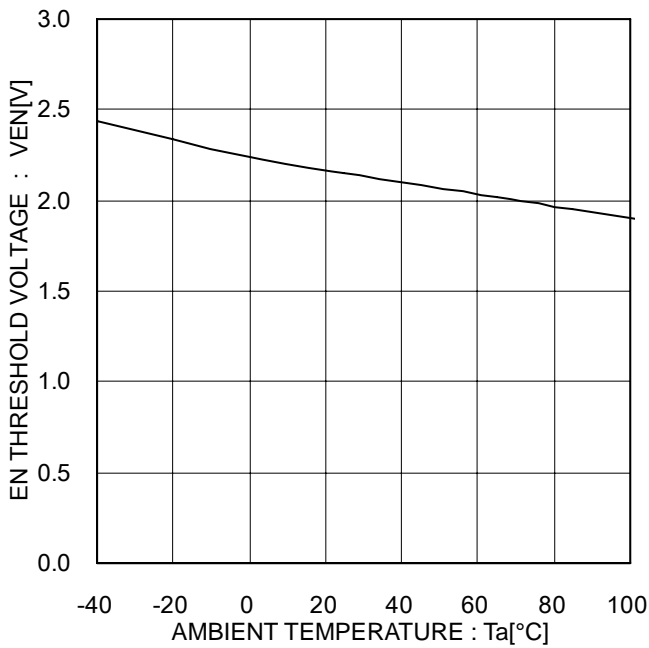


Figure 12. EN Threshold Voltage vs. Temperature Characteristics

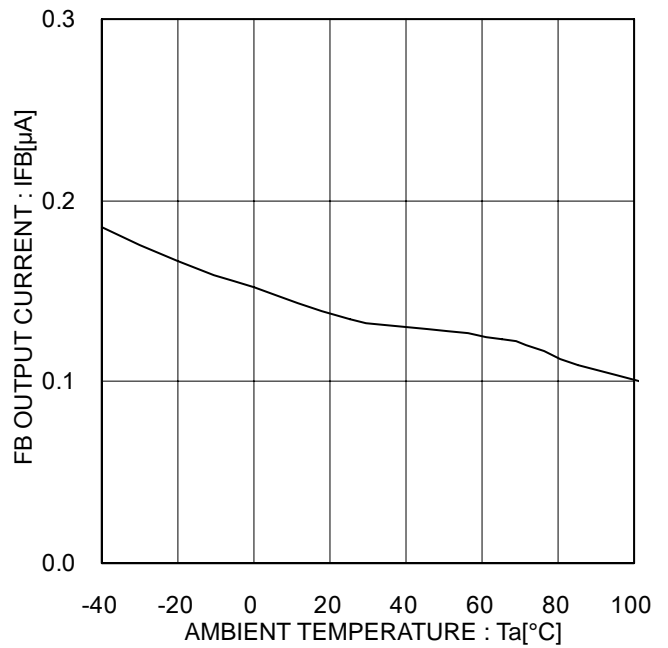


Figure 13. FB Pin Source Current vs. Temperature Characteristics

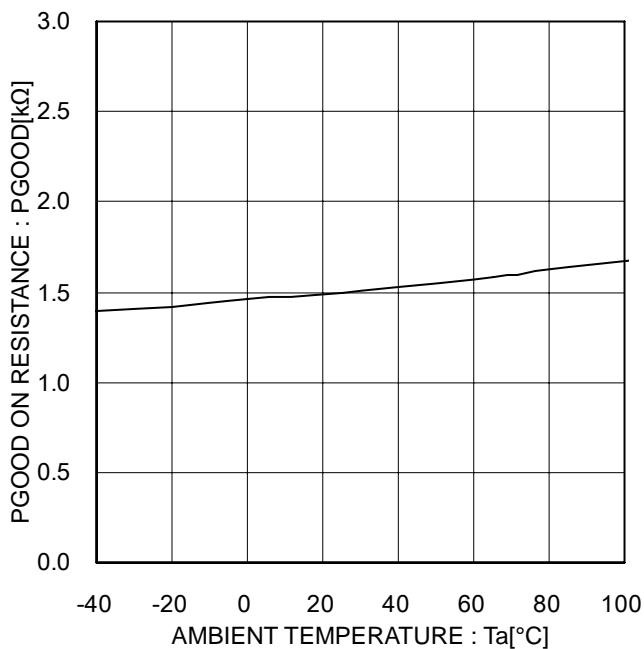


Figure 14. PGOOD Pin ON Resistance vs. Temperature Characteristics

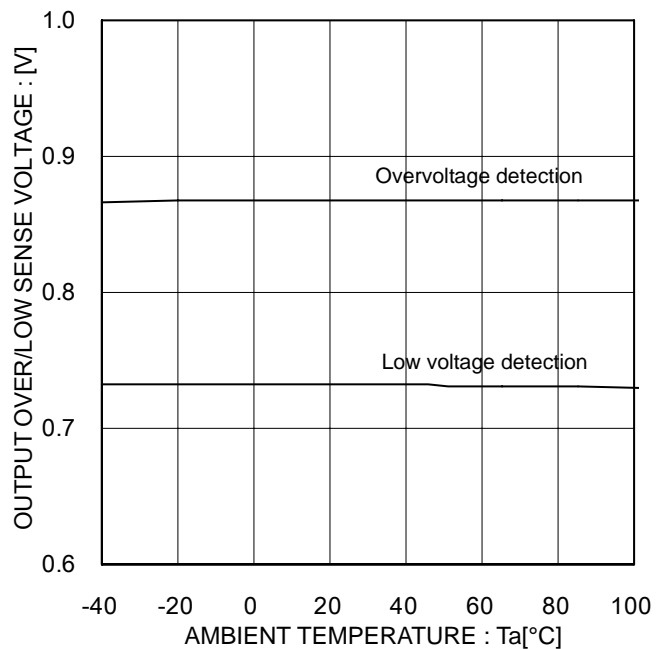


Figure 15. Output Overvoltage / Low Voltage Detection Voltage vs. Temperature Characteristics

Timing Chart

Startup operations

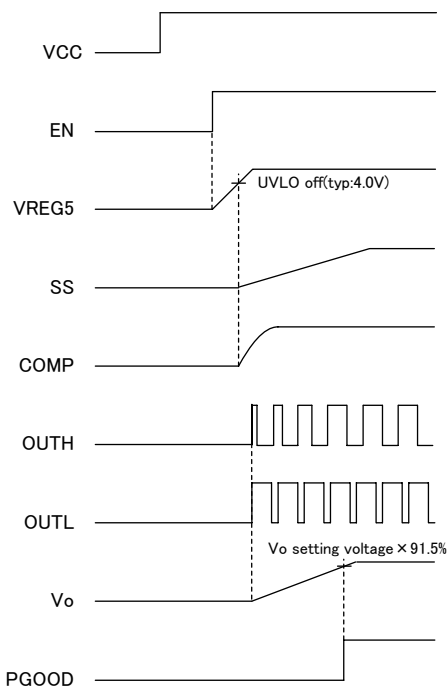


Figure 16. Startup Operations Timing Chart

Protection operations

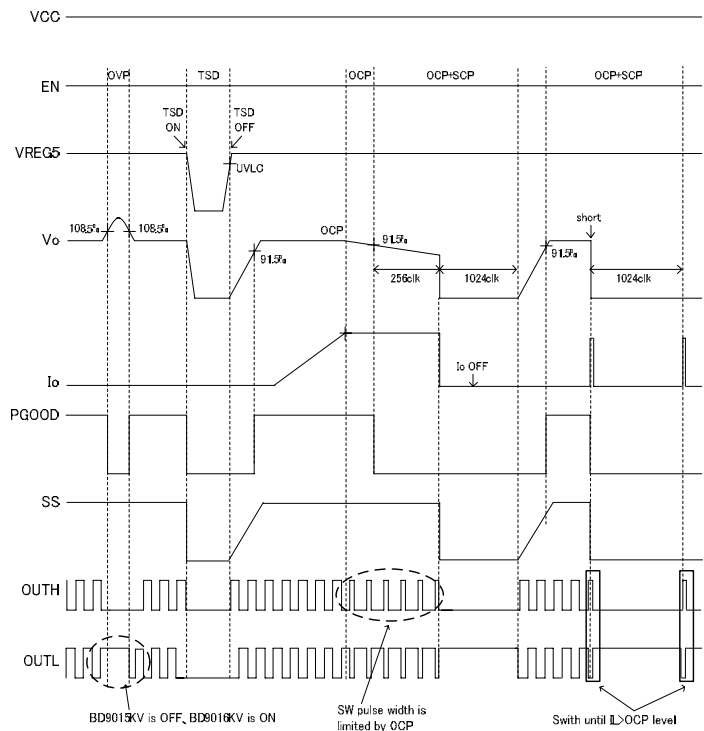


Figure 17. Protection Operations Timing Chart

Pre-bias function

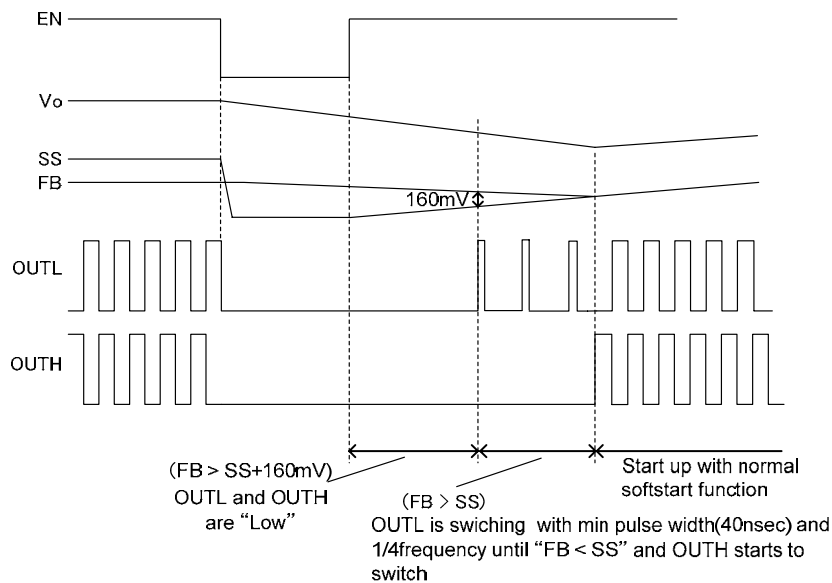


Figure 18. Pre-bias Functionality Timing Chart

**Selection of External Components**

(1) Setting the output L value

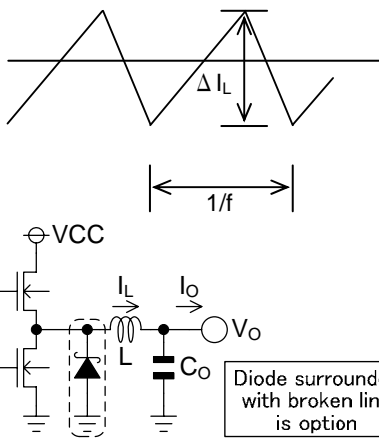


Figure 19. Output Ripple Current

The coil value significantly influences the output ripple current. As shown in the following equation, the larger the coil, and the higher the switching frequency, the lower the ripple current.

$$\Delta I_L = \frac{(V_{CC} - V_O) \times V_O}{L \times V_{CC} \times f} \text{ [A]}$$

The optimal output ripple current setting is ca. 30% of the maximum output current.

$$\Delta I_L = 0.3 \times I_{Omax} \text{ [A]}$$

$$L = \frac{(V_{CC} - V_O) \times V_O}{\Delta I_L \times V_{CC} \times f} \text{ [H]}$$

( $\Delta I_L$  : output ripple current,  $f$  : switching frequency)

Outputting a current in excess of the coil current rating will cause magnetic saturation of the coil and will decrease efficiency. It is recommended to allow for sufficient margin to ensure that the peak current does not exceed the coil current rating. Use low resistance (DCR, ACR) coils to minimize coil loss and increase efficiency.

(2) Setting the output capacitor Co value

Select the output capacitor with consideration to acceptable ripple voltage ( $V_{pp}$ ). The following equation is used to determine the output ripple voltage.

$$\Delta V_{PP} = \Delta I_L \times R_{ESR} + \frac{\Delta I_L}{C_O} \times \frac{V_O}{V_{CC}} \times \frac{1}{f} \text{ [V]} \quad \text{Note. } f : \text{ switching frequency}$$

The output Co setting needs to be kept within the allowable ripple voltage range. Allow for a sufficient voltage output margin in establishing the capacitor rating. Low ESR capacitors enable a lower output ripple voltage. Also, to meet the requirement for setting the output startup time parameter within the soft start time range, take the conditions described in the following capacitance equation for output capacitors into consideration.

$$C_O \leq \frac{T_{SS} \times (I_{LIMIT} - I_O)}{V_O} \quad T_{SS} : \text{ soft start time}$$

$$I_{LIMIT} : \text{ over current detection limit}$$

Note: non-optimal capacitance values may cause startup problems. Especially in cases of extremely large capacitance values, the possibility exists that the inrush current at startup will activate the overcurrent protection, thus not starting the output. Therefore, verification and conformation with the actual application is recommended.

(3) Setting the input capacitor (C<sub>IN</sub>)

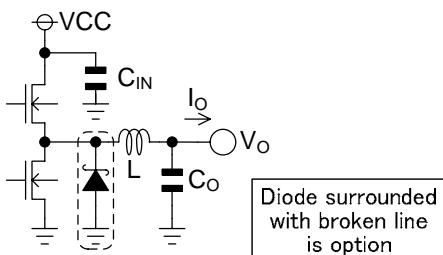


Figure 20. Input Capacitor

The input capacitor serves to lower the output impedance of the power source connected to the input pin (VCC, VCCCL, EXTVCC). Increased power supply output impedance can cause input voltage (VCC) instability and may negatively impact oscillation and ripple rejection characteristics. Therefore, it is necessary to place an input capacitor in close proximity to the VCC and GND pins. Select a low ESR capacitor with the required ripple current capacity and the capability to withstand temperature changes without wide tolerance fluctuations. The ripple current  $I_{RMS}$  is determined by the following equation.

$$I_{RMS} = I_O \times \sqrt{\frac{V_O (V_{CC} - V_O)}{V_{CC}}} \text{ [A]}$$

Also, be certain to ascertain the operating temperature, load range and MOSFET conditions for the application in which the capacitor will be used since capacitor performance is heavily dependent on the application's power supply characteristics, PCB wiring pattern and MOSFET gate-drain capacity.

(4)Setting the output voltage (V<sub>O</sub>)

The output voltage is determined by the equation below. Select a combination of R1 and R2 to obtain the required voltage.

Note that a small resistor value leads to a drop in power efficiency and that a large resistor value leads to an increase of the offset voltage due to FB pin source current of 0.13μA (Typ).

$$V_O = 0.8 \times \frac{R1 + R2}{R2}$$

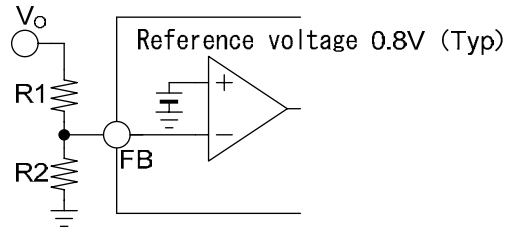


Figure 21. Setting the Output Voltage

(5)Setting the oscillation frequency (f<sub>osc</sub>)

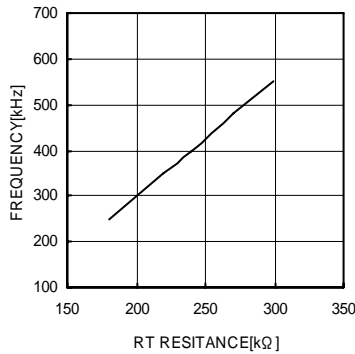
The setting of the internal oscillation frequency is possible by use of the resistor value connector to RT.

The setting range is 250kHz to 550kHz. The correlation between the resistor value and the oscillation frequency is as shown in the table and Figure 22. below.

Setting a resistor outside the range shown below may cause the switching to stop after witch operation is no longer guaranteed.

Note that in case the input/output voltage difference is small, the oscillation frequency is divided by 5, reducing the output voltage drop.

The detail behavior is described in the description of Oscillator on page 4.

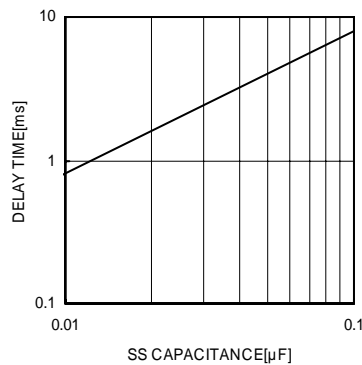


RT Resistor	Oscillation Frequency
180kΩ	250kHz
200kΩ	300kHz
220kΩ	350kHz
240kΩ	400kHz
270kΩ	480kHz
300kΩ	550kHz

Figure 22. RT resistor vs. oscillation frequency

(6)Setting the soft start time (T<sub>SS</sub>)

The soft start function is necessary to prevent inrush of coil current and output voltage overshoot at startup. The Figure 23. shows the relation between soft start time and capacitance, which can be calculated by using the equation.



$$T_{SS} = \frac{0.8V(Typ) \times C_{SS}}{I_{SS} (10\mu A (Typ))} \text{ [sec]}$$

Figure 23. Capacitance vs. Soft Start Time

Capacitance values between 0.01μF and 0.1μF are recommended. There is a possibility that an overshoot is generated in the output due to the phase compensation, output capacitor, etc. Therefore, verification and confirmation with the actual application is recommended. Use high accuracy components (X5R) when implementing sequential startups involving other power sources.

(7) Setting the overcurrent detection value ( $I_{LIMIT}$ )

When the peak of the current in the coil exceeds the overcurrent detection value, overcurrent protection is activated. The detection value is determined by the resistor  $R_{CS}$  connected between  $VCCCL$  and  $CL$  and the  $CL$  pin threshold voltage (Typ : 90mV). It can be calculated using the formula below.

$$I_{LIMIT} = \frac{90mV}{R_{CS}} \quad [A]$$

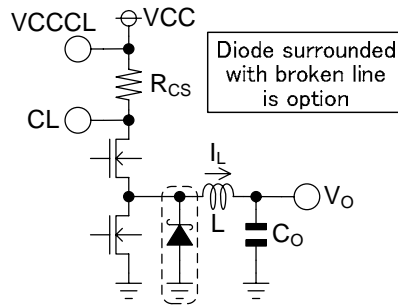


Figure 24. Setting the Overcurrent Detection Value

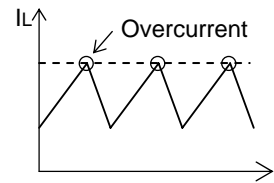


Figure 25. The Point of Detecting Overcurrent

When the overcurrent protection is activated, the output duty is limited to prevent an increase in output current. The overcurrent protection is an auto-recovery type; when the output load returns to normal state, the output duty and output voltage also return to the normal state. The voltage generated by the overcurrent detection resistor provides feedback to the internal SLOPE and is also used in determining the switching duty. To prevent sub-harmonic oscillation at time of high duty cycles, the equation below needs to be satisfied.

$$\frac{V_O \times R_{CS} \times \text{Duty}}{L \times f_{osc}} \leq 0.09$$

In case the equation above is not satisfied, revise the constants or settings.

(8) Selecting MOSFET

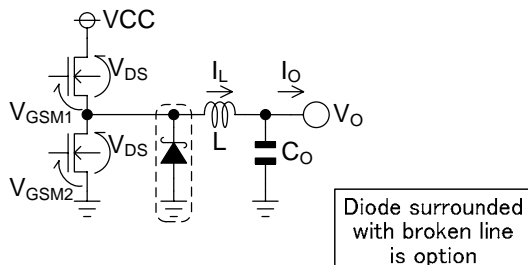


Figure 26. Selecting MOSFET

FET used Nch MOS

- $V_{DS} > VCC$     •  $V_{GSM1} > V_{BOOT-SW}$
- $V_{GSM2} > V_{REG5}$
- Allowable current > output current + ripple current
- ※ Value higher than the overcurrent protection value is recommended
- ※ Select a low ON resistance MOSFET for high efficiency

※Note

In case the input capacitance of the output FET is extremely large, the possibility exists that the efficiency decreases due to the shortening a dead time of the upper and lower output FET. For the input capacitance of the output FET, a value of 1200pF or lower is recommended. As these characteristics are influenced by the PCB layout and the type of the components verification and confirmation with the actual application is recommended.

(9) Selecting Schottky barrier diode

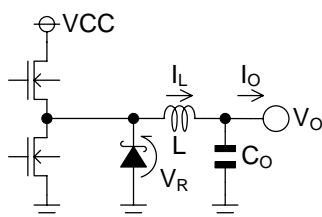


Figure 27. Selecting Schottky Barrier Diode

- Reverse voltage  $V_R > VCC$
- Allowable current > output current + ripple current
- ※ Value higher than the over current protection value is recommended.
- ※ Select a diode with a low forward voltage and fast recovery for high efficiency.

(10)Setting the phase compensation circuit

Negative feed back stability conditions are as follows.

- At time of unity gain (0dB) the phase delay should be 135° or less. (i.e. the phase margin is 45° or higher)

Also, the crossover frequency (frequency of 0dB) of the whole system is set to 1/10 of less of the switching frequency because DC/DC converter applications are sampled by the switching frequency.

In summary, the characteristics that the application target is as follows.

- At time of unity gain (0dB), the phase delay should be 135° or less. (i.e. the phase margin is 45° or higher)
- $f_c$  is less than 1/10 of switching frequency

The response is determined by the limitation of  $f_c$ . Therefore, the switching frequency is required to high in order to increase the response.

The phase compensation is set by the capacitor and resistor which are connected in series to the COMP pin.

Achieving stability by using the phase compensation is done by cancelling the  $fp_1$  and  $fp_2$  (error amp pole and power stage pole) of the regulation loop by use of  $fz_1$ .  $fp_1$ ,  $fp_2$  and  $fz_1$  are determined in the following equations.

$$fp_1 = \frac{g_m}{2\pi \times C_1 \times A_V}$$

$$fp_2 = \frac{1}{2\pi \times C_O \times R_{LOAD}}$$

$$fz_1 = \frac{1}{2\pi \times C_1 \times R_1}$$

Also, by inserting a capacitor in  $C_2$ , phase lead  $fz_2$  can be added.

$$fz_2 = \frac{1}{2\pi \times C_2 \times R_2}$$

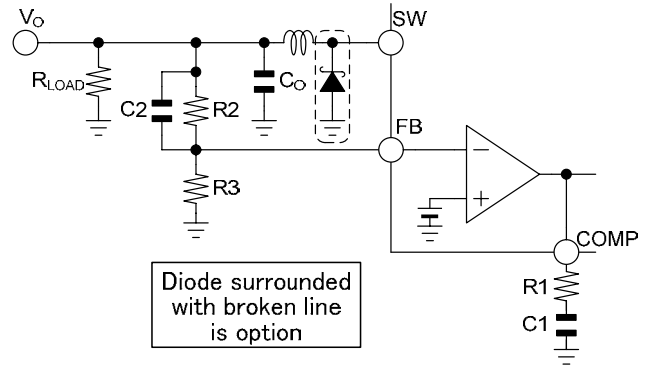


Figure 28. Setting Phase Compensation Circuit

In the formula above,  $g_m$  is the error amp transconductance (400 $\mu$ A/V) and  $A_V$  is the error amp voltage gain (200V/V).

This setting is obtained by using a simplified calculation, therefore, adjustment on the actual application may be required.

Also as these characteristics are influenced by the PCB layout, load conditions, etc. verification and confirmation with the actual application at time of mass production design is recommended.

(11)Setting the BOOT pin serial resistors ( $R_{BOOT}$ )

By connecting resistors to the BOOT pin, it becomes possible to adjust the turn on delay and rise time at switching. Placing the resistors also allows for the adjustment of the upper and lower FET dead time and is effective as noise countermeasure at time of switching.

As shown in Figure 29., place the resistor at  $R_{BOOT}$  so as not to limit the charge current  $I_{CHARGE}$  of the capacitor  $C_{BOOT}$  for the BOOT pin boost. In case the resistor  $R_{BOOT}$  is large, the possibility exists that voltage drop is generated between the BOOT pin voltage is no longer guaranteed. Therefore set  $R_{BOOT}$  to no higher than 10 $\Omega$ .

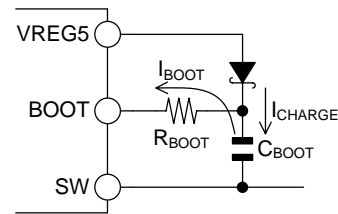


Figure 29. Setting the BOOT pin Serial Resistors

(12)Concerning switching pulse jitter and split

There are cases in which, when the switching pulse duty is at ca. 50%, it is influenced by the other switching pulse resulting in jitter or split (small duty and large duty are alternately output) on/off the switching output. If the jitter and split cause a problem take the steps listed below.

- Serially place resistor  $R_{CL}$  to pin CL
- Place resistor  $R_{OUTL}$  to the lower gate.

Generally, the jitter and split are suppressed with  $R_{CL}$  resistor of 200 $\Omega$  to 300 $\Omega$  and  $R_{OUTL}$  resistor of 4.7 $\Omega$  to 10 $\Omega$ .

However, as these characteristics are influenced by the PCB layout, used FET, etc. Verification and confirmation with the actual application is recommended.

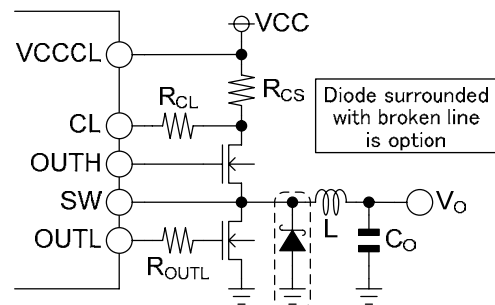
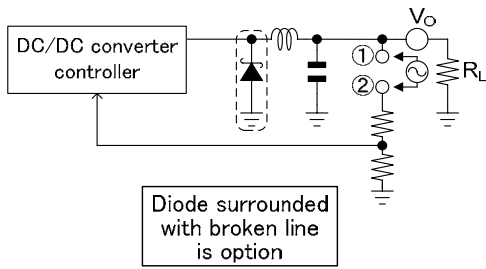


Figure 30. Measures of Jitter and Split



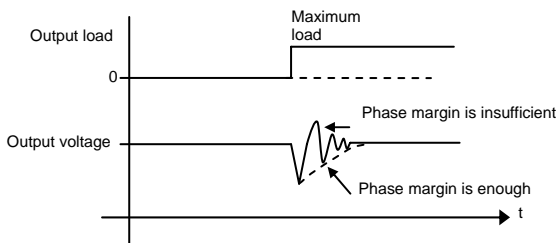
**Frequency Characteristic Evaluation**

The DC/DC converter's frequency characteristics (phase margin, gain margin) can be measured by using a gain-phase analyzer or FRA.



<Procedure>

1. Confirm that output does not oscillate in a closed loop with maximum load.
2. Isolate ① and ② and insert Vm (amplitude of ca. 20mVpp to 100mVpp).
3. Measure (probe) the oscillation of ① to that of ②.



The phase margin can also be measured with the load responsiveness. Measure the variation in output voltage when instantaneously changing the load from no load to maximum load. If ringing occurs, the phase margin is insufficient. If no ringing occurs, the phase margin is sufficient. The actual phase margin can not be measured.

Figure 31. Measurement of Frequency Characteristic

Application circuit example

※Application circuit is same both BD9015KV-M and BD9016KV-M

Parameter	Symbol	Spec example
Input voltage	VCC	6V to 28V
Output voltage/ current	$V_{O1} / I_{O1}$	5V / 4A
	$V_{O2} / I_{O2}$	3.3V / 4A
Output ripple voltage	$\Delta V_{PP}$	20mVp-p
Switching frequency	$f_{osc}$	350kHz
Operating temp. range	Ta	-40°C to 105°C

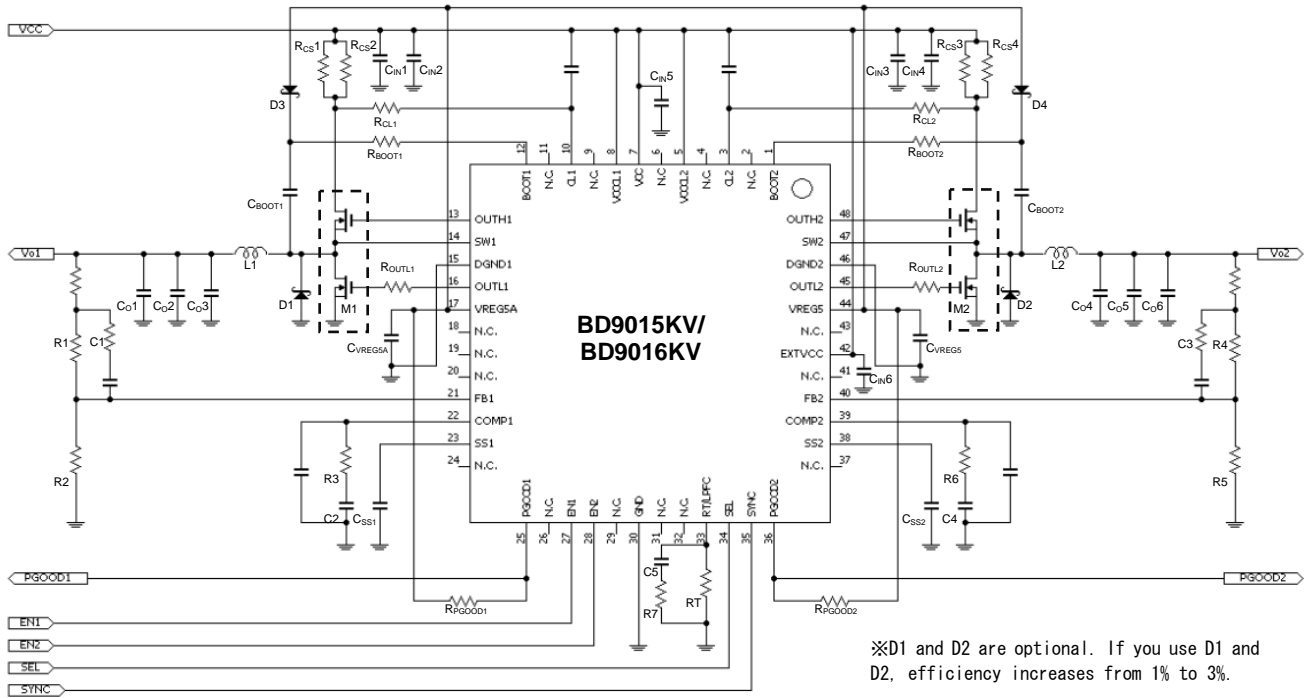


Figure 32. Reference circuit

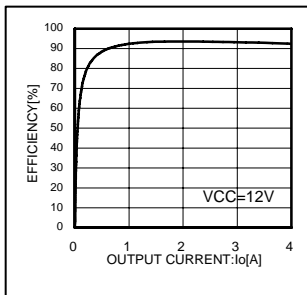


Figure 33. Efficiency ( $V_{O1}=5V$ )

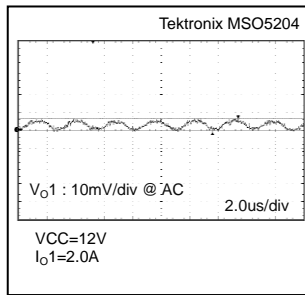


Figure 34. Output Ripple voltage ( $V_{O1}=5V$ )

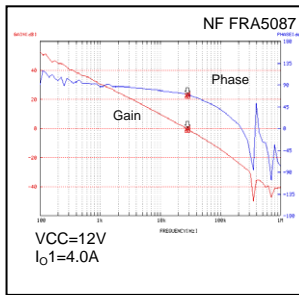


Figure 35. Frequency Characteristic ( $V_{O1}=5V$ )

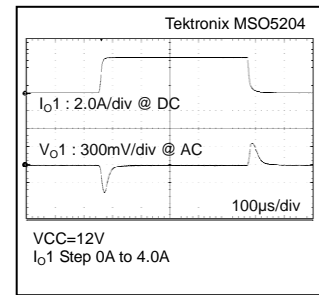


Figure 36. Load Response ( $V_{O1}=5V$ )

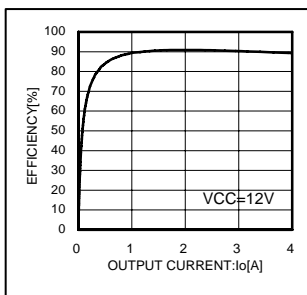


Figure 37. Efficiency ( $V_{O2}=3.3V$ )

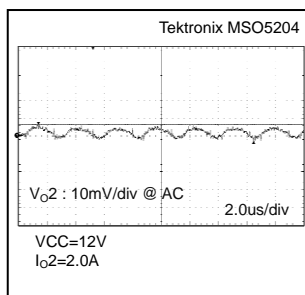


Figure 38. Output Ripple voltage ( $V_{O2}=3.3V$ )

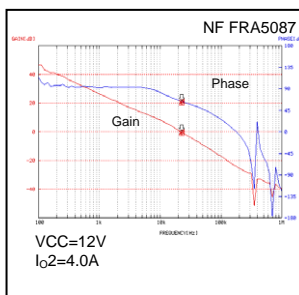


Figure 39. Frequency Characteristic ( $V_{O2}=3.3V$ )

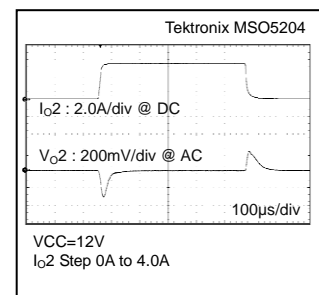


Figure 40. Load Response ( $V_{O2}=3.3V$ )

No	Package	Parameters	Part Name(series)	Type	Manufacturer
R1	1005	43k $\Omega$ , 1%, 1/16W	MCR01 Series	Chip resistor	ROHM
R2	1005	8.2k $\Omega$ , 1%, 1/16W	MCR01 Series	Chip resistor	ROHM
R3	1005	5.6k $\Omega$ , 1%, 1/16W	MCR01 Series	Chip resistor	ROHM
R4	1005	47k $\Omega$ , 1%, 1/16W	MCR01 Series	Chip resistor	ROHM
R5	1005	15k $\Omega$ , 1%, 1/16W	MCR01 Series	Chip resistor	ROHM
R6	1005	3.9k $\Omega$ , 1%, 1/16W	MCR01 Series	Chip resistor	ROHM
R7	1005	1k $\Omega$ , 1%, 1/16W	MCR01 Series	Chip resistor	ROHM
RT	1005	220k $\Omega$ , 1%, 1/16W	MCR01 Series	Chip resistor	ROHM
R <sub>CL1</sub>	1005	300 $\Omega$ , 1%, 1/16W	MCR01 Series	Chip resistor	ROHM
R <sub>CL2</sub>	1005	300 $\Omega$ , 1%, 1/16W	MCR01 Series	Chip resistor	ROHM
R <sub>BOOT1</sub>	1005	10 $\Omega$ , 1%, 1/16W	MCR01 Series	Chip resistor	ROHM
R <sub>BOOT2</sub>	1005	10 $\Omega$ , 1%, 1/16W	MCR01 Series	Chip resistor	ROHM
R <sub>OUTL1</sub>	1005	4.7 $\Omega$ , 1%, 1/16W	MCR01 Series	Chip resistor	ROHM
R <sub>OUTL2</sub>	1005	4.7 $\Omega$ , 1%, 1/16W	MCR01 Series	Chip resistor	ROHM
R <sub>PGOOD1</sub>	1005	100k $\Omega$ , 1%, 1/16W	MCR01 Series	Chip resistor	ROHM
R <sub>PGOOD2</sub>	1005	100k $\Omega$ , 1%, 1/16W	MCR01 Series	Chip resistor	ROHM
R <sub>CS1</sub>	2012	20m $\Omega$ , 1%, 1/3W	UCR10 Series	Chip resistor	ROHM
R <sub>CS2</sub>	2012	20m $\Omega$ , 1%, 1/3W	UCR10 Series	Chip resistor	ROHM
R <sub>CS3</sub>	2012	20m $\Omega$ , 1%, 1/3W	UCR10 Series	Chip resistor	ROHM
R <sub>CS4</sub>	2012	20m $\Omega$ , 1%, 1/3W	UCR10 Series	Chip resistor	ROHM
C1	1005	100pF, CH, 50V	GCM Series	Ceramic	MURATA
C2	1005	4700pF, R, 50V	GCM Series	Ceramic	MURATA
C3	1005	100pF, CH, 50V	GCM Series	Ceramic	MURATA
C4	1005	6800pF, R, 50V	GCM Series	Ceramic	MURATA
C5	1005	4700pF, R, 50V	GCM Series	Ceramic	MURATA
C <sub>SS1</sub>	1005	0.1 $\mu$ F, R, 16V	GCM Series	Ceramic	MURATA
C <sub>SS2</sub>	1005	0.1 $\mu$ F, R, 16V	GCM Series	Ceramic	MURATA
C <sub>BOOT1</sub>	1005	0.1 $\mu$ F, R, 16V	GCM Series	Ceramic	MURATA
C <sub>BOOT2</sub>	1005	0.1 $\mu$ F, R, 16V	GCM Series	Ceramic	MURATA
C <sub>VREG5A</sub>	1608	1 $\mu$ F, X7R, 16V	GCM Series	Ceramic	MURATA
C <sub>VREG5</sub>	1608	1 $\mu$ F, X7R, 16V	GCM Series	Ceramic	MURATA
C <sub>IN1</sub>	3225	4.7 $\mu$ F, X7R, 50V	GCM Series	Ceramic	MURATA
C <sub>IN2</sub>	3225	4.7 $\mu$ F, X7R, 50V	GCM Series	Ceramic	MURATA
C <sub>IN3</sub>	3225	4.7 $\mu$ F, X7R, 50V	GCM Series	Ceramic	MURATA
C <sub>IN4</sub>	3225	4.7 $\mu$ F, X7R, 50V	GCM Series	Ceramic	MURATA
C <sub>IN5</sub>	3216	1 $\mu$ F, X7R, 50V	GCM Series	Ceramic	MURATA
C <sub>IN6</sub>	3216	1 $\mu$ F, X7R, 50V	GCM Series	Ceramic	MURATA
C <sub>O1</sub>	3225	22 $\mu$ F, X7R, 16V	GCM Series	Ceramic	MURATA
C <sub>O2</sub>	3225	22 $\mu$ F, X7R, 16V	GCM Series	Ceramic	MURATA
C <sub>O3</sub>	3225	22 $\mu$ F, X7R, 16V	GCM Series	Ceramic	MURATA
C <sub>O4</sub>	3225	22 $\mu$ F, X7R, 16V	GCM Series	Ceramic	MURATA
C <sub>O5</sub>	3225	22 $\mu$ F, X7R, 16V	GCM Series	Ceramic	MURATA
C <sub>O6</sub>	3225	22 $\mu$ F, X7R, 16V	GCM Series	Ceramic	MURATA
D1	PMDS	AVERAGE I = 3A MAX	RB050L-40	Schottky Diode	ROHM
D2	PMDS	AVERAGE I = 3A MAX	RB050L-40	Schottky Diode	ROHM
D3	PMDU	AVERAGE I = 1A MAX	RB160M-40	Schottky Diode	ROHM
D4	PMDU	AVERAGE I = 1A MAX	RB160M-40	Schottky Diode	ROHM
M1	SOP8	Drain Current = 9A MAX	SP8K4	Transistor	ROHM
M2	SOP8	Drain Current = 9A MAX	SP8K4	Transistor	ROHM
L1	6.36 x 3.56 x 6.1mm	10 $\mu$ H	XAL6060 Series	Coil	Coilcraft
L2	6.36 x 3.56 x 6.1mm	10 $\mu$ H	XAL6060 Series	Coil	Coilcraft

※These setting values are the reference. As these characteristics may be influenced by the PCB layout pattern, used components, etc. Verification and confirmation with the actual application is recommended.

Input filter

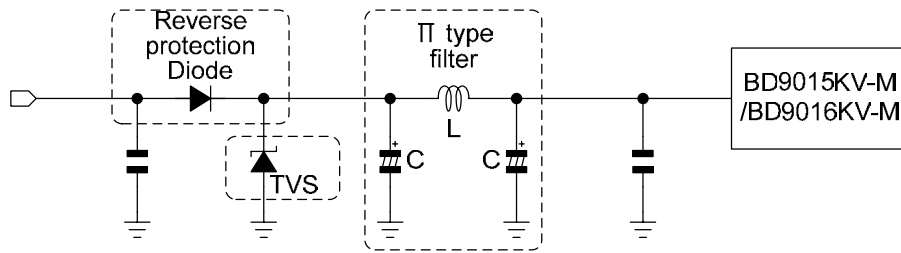


Figure 41. Filter circuit

For reference, lists the input filter circuits for EMC measure to Figure 41..

The  $\pi$  type filter is 3<sup>rd</sup> order LC filter. This is used when it is not sufficient to use only the decoupling capacitor. The  $\pi$  type filter can behave good performance as EMC filter by large attenuation characteristic. TVS(Transient Voltage Suppressors) is used for primary protection of automotive battery power supply line. The general zener diode is insufficient because it is necessary to tolerate the high energy of load dump condition. The TVS is in below list is recommended. The reverse polarity diode is required for protection when the power supply, such as battery, is connected in reverse by mistake.

No	Part Name(series)	Manufacturer
L	XAL Series	Coilcraft
	CLF Series	TDK
C	CD Series	NICHICON
	UD Series	NICHICON
TVS	SM8 Series	VISHAY
D	S3A thru S3M series	VISHAY

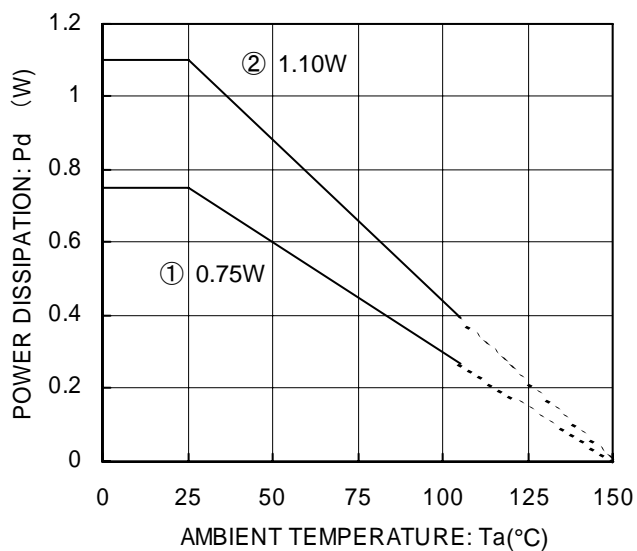
Recommendation Parts Vender List

Show recommendation parts vender below.

No	Type	Manufacturer	URL
C	Electrolytic Capacitor	NICHICON	<a href="http://www.nichicon.com">www.nichicon.com</a>
C	Ceramic Capacitor	MURATA	<a href="http://www.murata.com">www.murata.com</a>
L	Coils	Coilcraft	<a href="http://www.coilcraft.com">www.coilcraft.com</a>
L	Coils	TDK	<a href="http://www.global.tdk.com">www.global.tdk.com</a>
L	Coils	Sumida	<a href="http://www.sumida.com">www.sumida.com</a>
D	Diodes	VISHAY	<a href="http://www.vishay.com">www.vishay.com</a>
D	Diodes/Resister	ROHM	<a href="http://www.rohm.com">www.rohm.com</a>

Power Dissipation

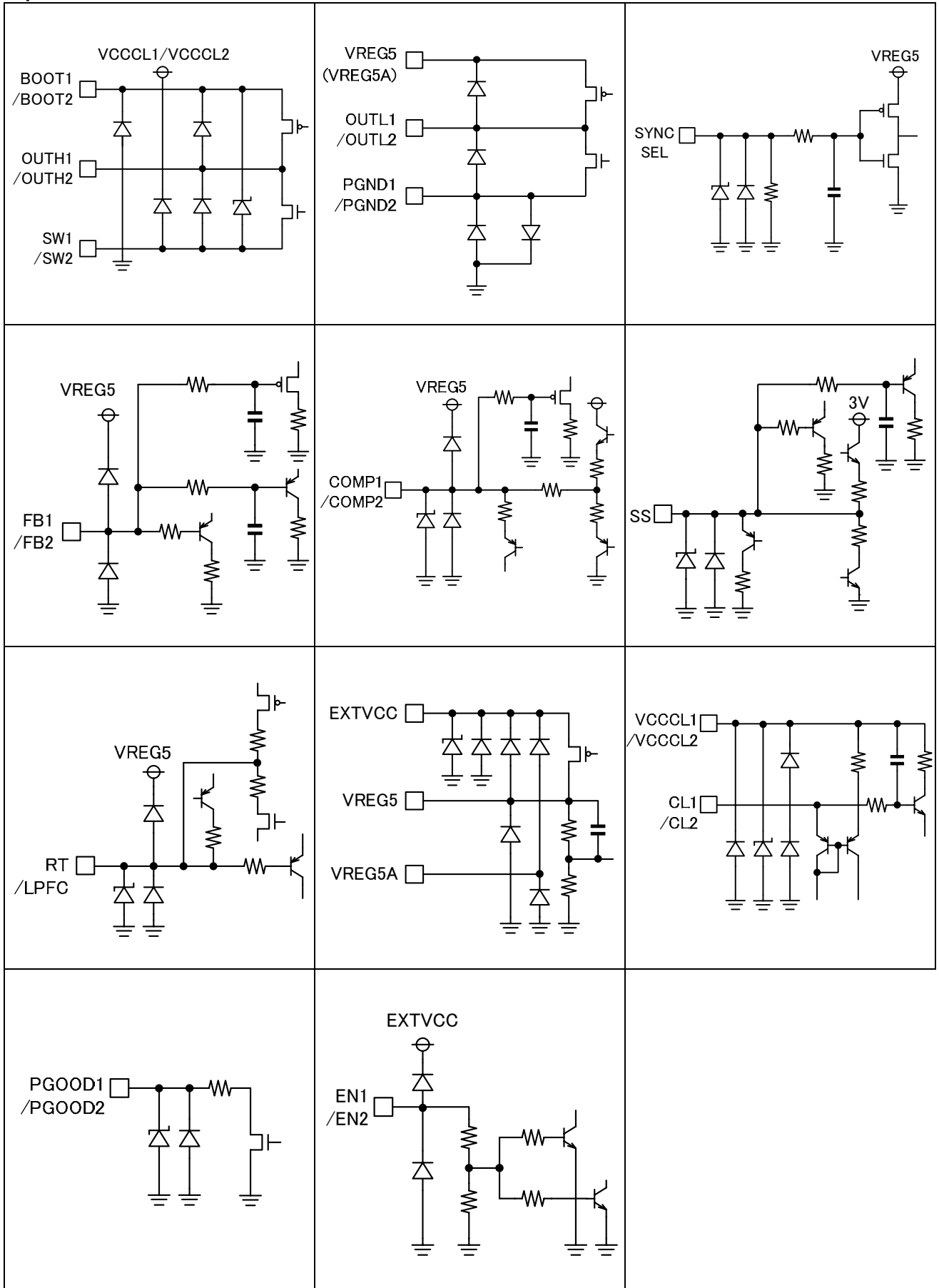
VQFP48C



- ① : IC Unit
- ② : IC mounted on ROHM standard board  
(Glass epoxy board of 70mm × 70mm × 1.6mm)

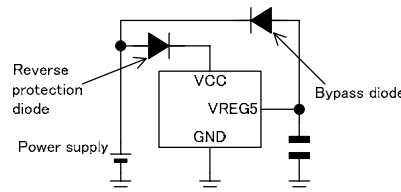
Figure 42. Thermal derating characteristic

I/O equivalence circuits



## Operational Notes

- 1) Absolute maximum ratings  
Exceeding the absolute maximum rating for supply voltage, operating temperature or other parameters can result in damages to or destruction of the chip. In this event it also becomes impossible to determine the cause of the damage (e.g. short circuit, open circuit, etc). Therefore, if any special mode is being considered with values expected to exceed the absolute maximum ratings, implementing physical safety measures, such as adding fuses, should be considered.
- 2) GND electric potential  
Keep the GND pin potential at the lowest (minimum) potential under any operating condition. Furthermore, excluding the SW pin, the voltage of all pin should never drop below that of GND. In case there is a pin with a voltage lower than GND implement countermeasures such as using a bypass route.
- 3) Power dissipation  
Should by any chance the power dissipation rating be exceeded the rise in temperature of the chip may result in deterioration of the properties of the chip. Therefore allow for sufficient margins to ensure use within the power dissipation rating.
- 4) Input power supply  
Concerning the input pins VCC, VCCCL and EXT VCC, the layout pattern should be as short as possible and free from electrical interferences.
- 5) Electrical characteristics  
The electrical characteristics given in this specification may be influenced by conditions such as temperature, supply voltage and external components. Transient characteristics should be sufficiently verified.
- 6) Thermal shutdown (TSD)  
This IC incorporates an integrated thermal shutdown circuit to prevent heat damage to the IC. Normal operation should be within the power dissipation rating, if however the rating is exceeded for a continued period, the junction temperature( $T_j$ ) will rise and the TSD circuit will be activated and turn all output pins OFF. After the  $T_j$  falls below the TSD threshold the circuits are automatically restored to normal operation.  
Note that the TSD circuit operates in a situation that exceeds the absolute maximum ratings and therefore, under no circumstances, should the TSD circuit be used in a set design or for any purpose other than protecting the IC from heat damage.
- 7) Inter-pin shorting and mounting errors  
Ensure that when mounting the IC on the PCB the direction and position are correct. Incorrect mounting may result in damaging the IC. Also, shorts caused by dust entering between the output, input and GND pin may result in damaging the IC.
- 8) In some applications, the VCC and pin potential might be reversed, possibly resulting in circuit internal damage or damage to the elements. For example, while the external capacitor is charged, the VCC shorts to the GND. For the VREG5 output pin use a capacitor with a capacitance with less than 100 $\mu$ F. We also recommend using reverse polarity diodes in series or a bypass diode between all pins and the VCC pin.



- 9) Operation in strong electromagnetic fields  
Use caution when operating in the presence of strong electromagnetic fields, as this may cause the IC to malfunction.
- 10) In applications where the output pin is connected to a large inductive load, a counter-EMF ( electromotive force) might occur at startup or shutdown. A diode should be added for protection.
- 11) Testing on application boards  
The IC needs to be discharged after each test process as, while using the application board for testing, connecting a capacitor to a low-impedance pin may cause stress to the IC. As a protection from static electricity, ensure that the assembly setup is grounded and take sufficient caution with transportation and storage. Also, make sure to turn off the power supply when connecting and disconnecting the inspection equipment.
- 12) GND wiring pattern  
When both a small-signal GND and a high current GND are present, single-point grounding (at the set standard point) is recommended. This in order to separate the small-signal and high current patterns and to ensure that voltage changes stemming from the wiring resistance and high current do not cause any voltage change in the small-signal GND. Similarly, care must be taken to avoid wiring pattern fluctuations in any connected external component GND.

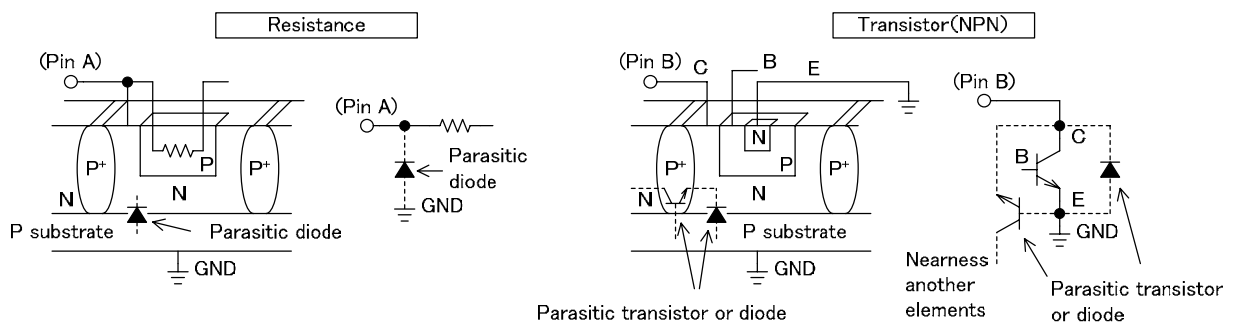
13) SS pin

Note that the SS pin will go into test mode when supplied with 5V or more.

14) This monolithic IC contains P+ isolation and P substrate layers between adjacent elements in order to keep them isolated. P-N junctions are formed at the intersection of these P layers with the N layers of other elements, creating a parasitic diode or transistor. Relations between each potential may form as shown in the example below, where a resistor and transistor are connected to a pin:

- With the resistor, when  $GND > Pin A$ , and with the transistor(NPN), when  $GND > Pin B$ :  
The P-N junction operates as a parasitic diode
- With the transistor (NPN), when  $GND > Pin B$ :  
The P-N junction operates as a parasitic transistor by interacting with the N layers of elements in proximity to the parasitic diode described above

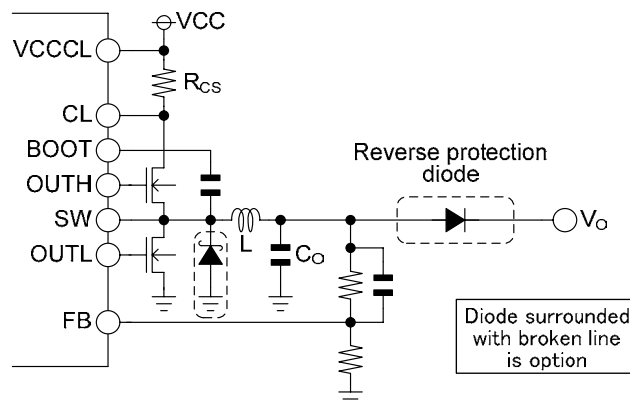
Parasitic diodes inevitably occur in the structure of the IC. Their operation can result in mutual interference between circuits and can cause malfunctions and, in turn, physical damage to or destruction of the chip. Therefore do not employ any method in which parasitic diodes can operate such as applying a voltage to an input pin that is lower than the (P substrate) GND.



The structure example of the IC

15) Vo short to VCC (BD9016KV-M)

When the over voltage protection is activated by supplying voltage to Vo from externally, for instance Vo is shorted to VCC in application, the large current may appear in coil and L-side FET since the output capacitor is discharged by the over voltage protection. A reverse protection diode should be added for protection.





Ordering Information

B D 9 0 1 x K V

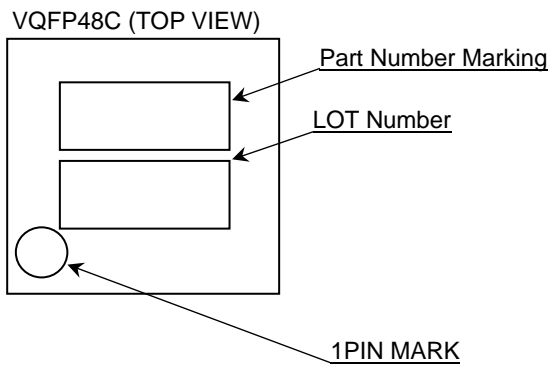
 - M E 2

Part Number  
BD9015KV or BD9016KV

Package  
KV: VQFP48C

Packaging and forming specification  
E2: Embossed tape and reel

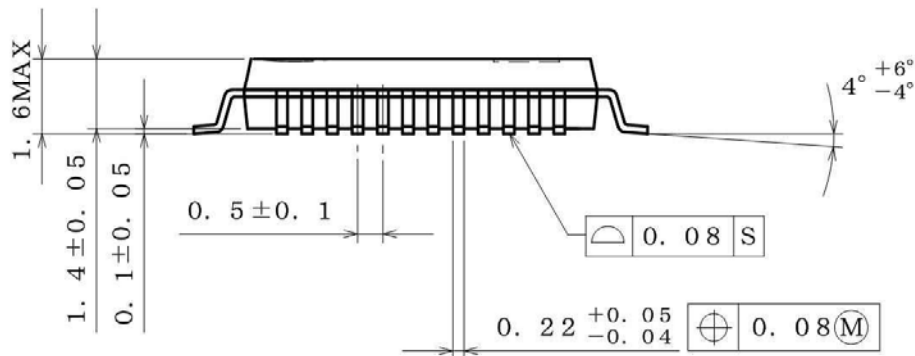
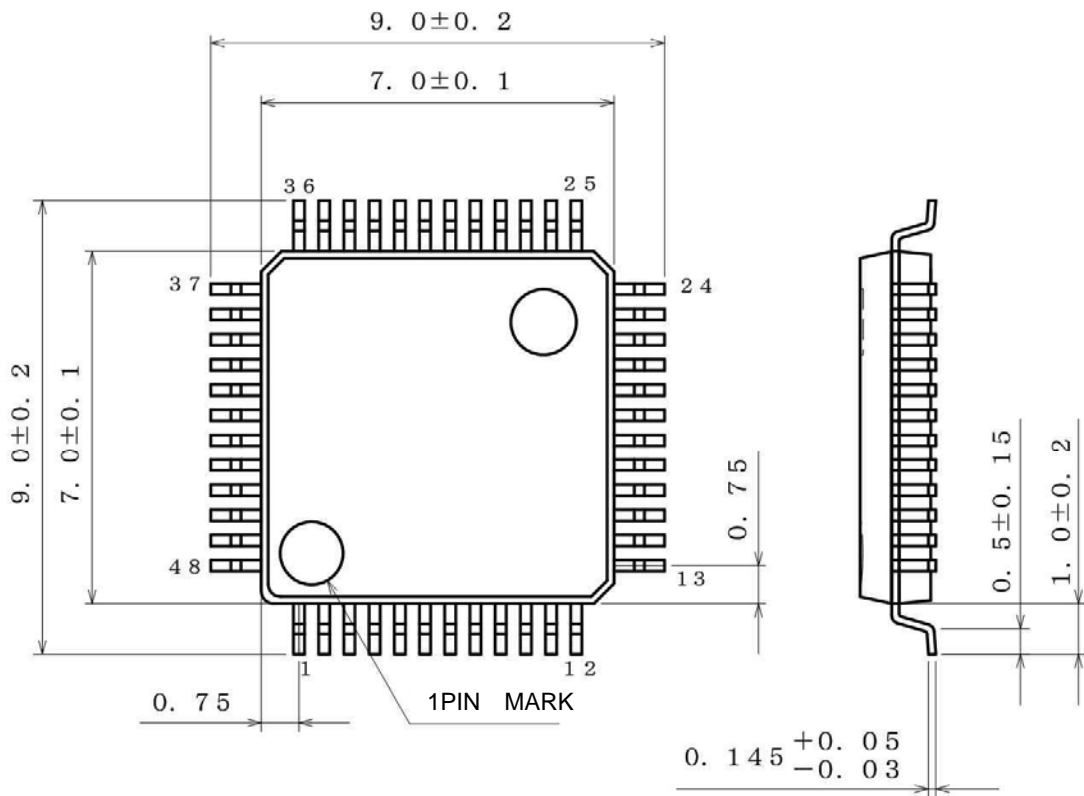
Marking Diagram



Part Number	Marking
BD9015KV-M	BD9015KV
BD9016KV-M	BD9016KV

Physical Dimension Tape and Reel Information

Package Name	VQFP48C
--------------	---------



(UNIT : mm)

PKG : VQFP48C

Drawing No. EX259-5001-1

<Tape and Reel information>

Tape	Embossed carrier tape
Quantity	1500pcs
Direction of feed	E2 ( The direction is the 1pin of product is at the upper left when you hold reel on the left hand and you pull out the tape on the right hand )

\*Order quantity needs to be multiple of the minimum quantity.

## Revision History

Date	Revision	Changes
22.Jul.2013	001	New Release

# Notice

## Precaution on using ROHM Products

1. If you intend to use our Products in devices requiring extremely high reliability (such as medical equipment <sup>(Note 1)</sup>, aircraft/spacecraft, nuclear power controllers, etc.) and whose malfunction or failure may cause loss of human life, bodily injury or serious damage to property ("Specific Applications"), please consult with the ROHM sales representative in advance. Unless otherwise agreed in writing by ROHM in advance, ROHM shall not be in any way responsible or liable for any damages, expenses or losses incurred by you or third parties arising from the use of any ROHM's Products for Specific Applications.

(Note1) Medical Equipment Classification of the Specific Applications

JAPAN	USA	EU	CHINA
CLASS III	CLASS III	CLASS II b	CLASS III
CLASS IV		CLASS III	

2. ROHM designs and manufactures its Products subject to strict quality control system. However, semiconductor products can fail or malfunction at a certain rate. Please be sure to implement, at your own responsibilities, adequate safety measures including but not limited to fail-safe design against the physical injury, damage to any property, which a failure or malfunction of our Products may cause. The following are examples of safety measures:
  - [a] Installation of protection circuits or other protective devices to improve system safety
  - [b] Installation of redundant circuits to reduce the impact of single or multiple circuit failure
3. Our Products are not designed under any special or extraordinary environments or conditions, as exemplified below. Accordingly, ROHM shall not be in any way responsible or liable for any damages, expenses or losses arising from the use of any ROHM's Products under any special or extraordinary environments or conditions. If you intend to use our Products under any special or extraordinary environments or conditions (as exemplified below), your independent verification and confirmation of product performance, reliability, etc, prior to use, must be necessary:
  - [a] Use of our Products in any types of liquid, including water, oils, chemicals, and organic solvents
  - [b] Use of our Products outdoors or in places where the Products are exposed to direct sunlight or dust
  - [c] Use of our Products in places where the Products are exposed to sea wind or corrosive gases, including Cl<sub>2</sub>, H<sub>2</sub>S, NH<sub>3</sub>, SO<sub>2</sub>, and NO<sub>2</sub>
  - [d] Use of our Products in places where the Products are exposed to static electricity or electromagnetic waves
  - [e] Use of our Products in proximity to heat-producing components, plastic cords, or other flammable items
  - [f] Sealing or coating our Products with resin or other coating materials
  - [g] Use of our Products without cleaning residue of flux (even if you use no-clean type fluxes, cleaning residue of flux is recommended); or Washing our Products by using water or water-soluble cleaning agents for cleaning residue after soldering
  - [h] Use of the Products in places subject to dew condensation
4. The Products are not subject to radiation-proof design.
5. Please verify and confirm characteristics of the final or mounted products in using the Products.
6. In particular, if a transient load (a large amount of load applied in a short period of time, such as pulse. is applied, confirmation of performance characteristics after on-board mounting is strongly recommended. Avoid applying power exceeding normal rated power; exceeding the power rating under steady-state loading condition may negatively affect product performance and reliability.
7. De-rate Power Dissipation (Pd) depending on Ambient temperature (Ta). When used in sealed area, confirm the actual ambient temperature.
8. Confirm that operation temperature is within the specified range described in the product specification.
9. ROHM shall not be in any way responsible or liable for failure induced under deviant condition from what is defined in this document.

## Precaution for Mounting / Circuit board design

1. When a highly active halogenous (chlorine, bromine, etc.) flux is used, the residue of flux may negatively affect product performance and reliability.
2. In principle, the reflow soldering method must be used; if flow soldering method is preferred, please consult with the ROHM representative in advance.

For details, please refer to ROHM Mounting specification

**Precautions Regarding Application Examples and External Circuits**

1. If change is made to the constant of an external circuit, please allow a sufficient margin considering variations of the characteristics of the Products and external components, including transient characteristics, as well as static characteristics.
2. You agree that application notes, reference designs, and associated data and information contained in this document are presented only as guidance for Products use. Therefore, in case you use such information, you are solely responsible for it and you must exercise your own independent verification and judgment in the use of such information contained in this document. ROHM shall not be in any way responsible or liable for any damages, expenses or losses incurred by you or third parties arising from the use of such information.

**Precaution for Electrostatic**

This Product is electrostatic sensitive product, which may be damaged due to electrostatic discharge. Please take proper caution in your manufacturing process and storage so that voltage exceeding the Products maximum rating will not be applied to Products. Please take special care under dry condition (e.g. Grounding of human body / equipment / solder iron, isolation from charged objects, setting of ionizer, friction prevention and temperature / humidity control).

**Precaution for Storage / Transportation**

1. Product performance and soldered connections may deteriorate if the Products are stored in the places where:
  - [a] the Products are exposed to sea winds or corrosive gases, including Cl<sub>2</sub>, H<sub>2</sub>S, NH<sub>3</sub>, SO<sub>2</sub>, and NO<sub>2</sub>
  - [b] the temperature or humidity exceeds those recommended by ROHM
  - [c] the Products are exposed to direct sunshine or condensation
  - [d] the Products are exposed to high Electrostatic
2. Even under ROHM recommended storage condition, solderability of products out of recommended storage time period may be degraded. It is strongly recommended to confirm solderability before using Products of which storage time is exceeding the recommended storage time period.
3. Store / transport cartons in the correct direction, which is indicated on a carton with a symbol. Otherwise bent leads may occur due to excessive stress applied when dropping of a carton.
4. Use Products within the specified time after opening a humidity barrier bag. Baking is required before using Products of which storage time is exceeding the recommended storage time period.

**Precaution for Product Label**

QR code printed on ROHM Products label is for ROHM's internal use only.

**Precaution for Disposition**

When disposing Products please dispose them properly using an authorized industry waste company.

**Precaution for Foreign Exchange and Foreign Trade act**

Since our Products might fall under controlled goods prescribed by the applicable foreign exchange and foreign trade act, please consult with ROHM representative in case of export.

**Precaution Regarding Intellectual Property Rights**

1. All information and data including but not limited to application example contained in this document is for reference only. ROHM does not warrant that foregoing information or data will not infringe any intellectual property rights or any other rights of any third party regarding such information or data. ROHM shall not be in any way responsible or liable for infringement of any intellectual property rights or other damages arising from use of such information or data.:
2. No license, expressly or implied, is granted hereby under any intellectual property rights or other rights of ROHM or any third parties with respect to the information contained in this document.

**Other Precaution**

1. This document may not be reprinted or reproduced, in whole or in part, without prior written consent of ROHM.
2. The Products may not be disassembled, converted, modified, reproduced or otherwise changed without prior written consent of ROHM.
3. In no event shall you use in any way whatsoever the Products and the related technical information contained in the Products or this document for any military purposes, including but not limited to, the development of mass-destruction weapons.
4. The proper names of companies or products described in this document are trademarks or registered trademarks of ROHM, its affiliated companies or third parties.

**General Precaution**

1. Before you use our Products, you are requested to carefully read this document and fully understand its contents. ROHM shall not be in any way responsible or liable for failure, malfunction or accident arising from the use of any ROHM's Products against warning, caution or note contained in this document.
2. All information contained in this document is current as of the issuing date and subject to change without any prior notice. Before purchasing or using ROHM's Products, please confirm the latest information with a ROHM sales representative.
3. The information contained in this document is provided on an "as is" basis and ROHM does not warrant that all information contained in this document is accurate and/or error-free. ROHM shall not be in any way responsible or liable for any damages, expenses or losses incurred by you or third parties resulting from inaccuracy or errors of or concerning such information.

Компания «Океан Электроники» предлагает заключение долгосрочных отношений при поставках импортных электронных компонентов на взаимовыгодных условиях!

Наши преимущества:

- Поставка оригинальных импортных электронных компонентов напрямую с производств Америки, Европы и Азии, а так же с крупнейших складов мира;
- Широкая линейка поставок активных и пассивных импортных электронных компонентов (более 30 млн. наименований);
- Поставка сложных, дефицитных, либо снятых с производства позиций;
- Оперативные сроки поставки под заказ (от 5 рабочих дней);
- Экспресс доставка в любую точку России;
- Помощь Конструкторского Отдела и консультации квалифицированных инженеров;
- Техническая поддержка проекта, помощь в подборе аналогов, поставка прототипов;
- Поставка электронных компонентов под контролем ВП;
- Система менеджмента качества сертифицирована по Международному стандарту ISO 9001;
- При необходимости вся продукция военного и аэрокосмического назначения проходит испытания и сертификацию в лаборатории (по согласованию с заказчиком);
- Поставка специализированных компонентов военного и аэрокосмического уровня качества (Xilinx, Altera, Analog Devices, Intersil, Interpoint, Microsemi, Actel, Aeroflex, Peregrine, VPT, Syfer, Eurofarad, Texas Instruments, MS Kennedy, Miteq, Cobham, E2V, MA-COM, Hittite, Mini-Circuits, General Dynamics и др.);

Компания «Океан Электроники» является официальным дистрибьютором и эксклюзивным представителем в России одного из крупнейших производителей разъемов военного и аэрокосмического назначения «JONHON», а так же официальным дистрибьютором и эксклюзивным представителем в России производителя высокотехнологичных и надежных решений для передачи СВЧ сигналов «FORSTAR».



## JONHON

«JONHON» (основан в 1970 г.)

Разъемы специального, военного и аэрокосмического назначения:

(Применяются в военной, авиационной, аэрокосмической, морской, железнодорожной, горно- и нефтедобывающей отраслях промышленности)

«FORSTAR» (основан в 1998 г.)

ВЧ соединители, коаксиальные кабели,  
кабельные сборки и микроволновые компоненты:

(Применяются в телекоммуникациях гражданского и специального назначения, в средствах связи, РЛС, а так же военной, авиационной и аэрокосмической отраслях промышленности).



Телефон: 8 (812) 309-75-97 (многоканальный)

Факс: 8 (812) 320-03-32

Электронная почта: [ocean@oceanchips.ru](mailto:ocean@oceanchips.ru)

Web: <http://oceanchips.ru/>

Адрес: 198099, г. Санкт-Петербург, ул. Калинина, д. 2, корп. 4, лит. А