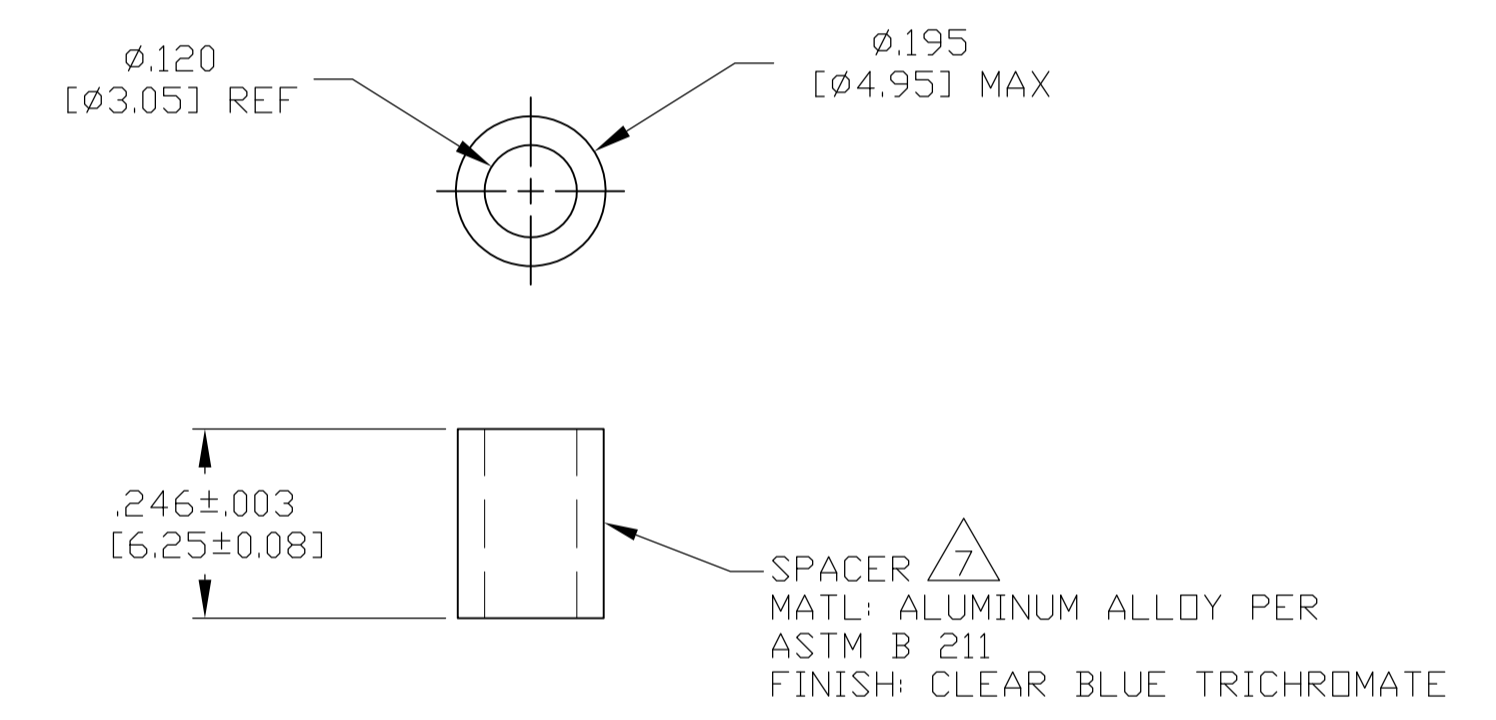
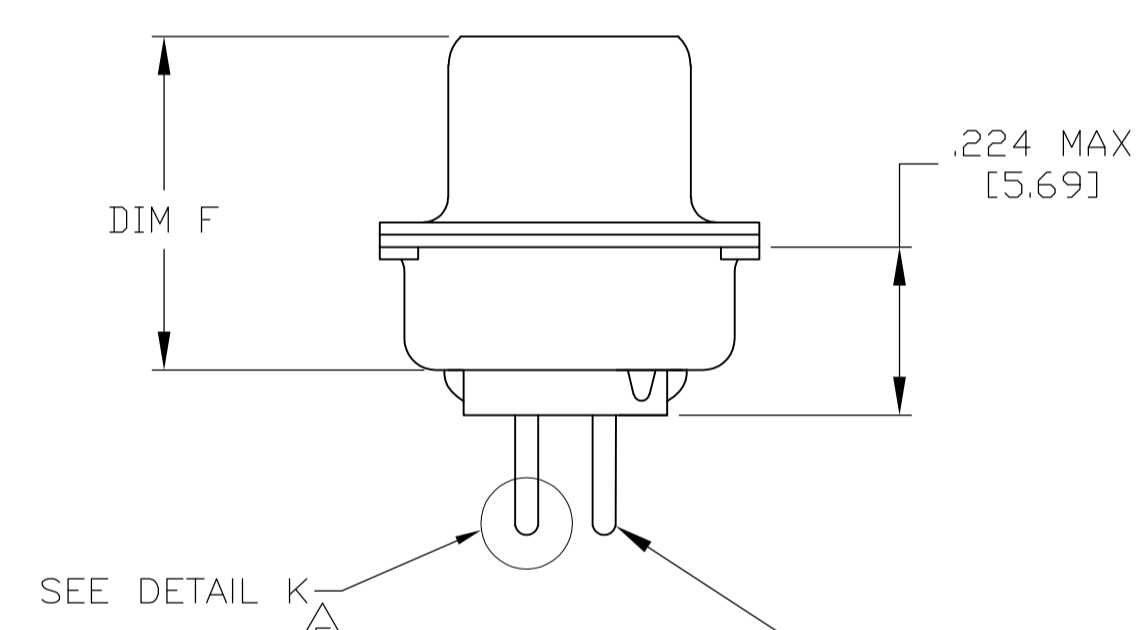
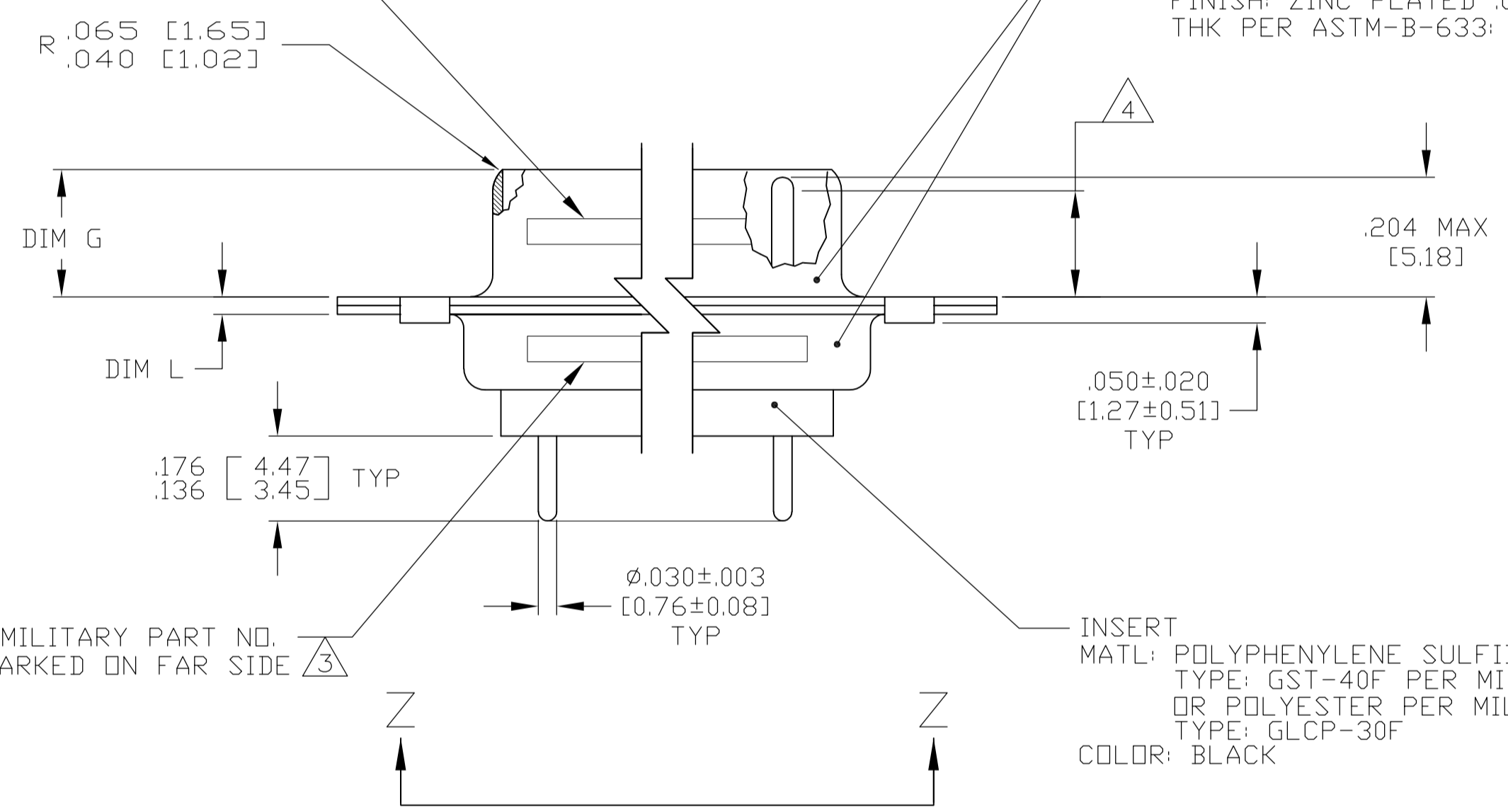


- 1. SEE SHEET 2 FOR RECOMMENDED P.C. BOARD LAYOUT. TRUE POSITION TOLERANCE FOR P.C. BOARD LAYOUT IS .010 [0.25] AT MAX MATERIAL CONDITION. SUGGESTED BOARD THICKNESS IS .062 [1.57]
- 2. THE CONNECTORS DESCRIBED IN THIS DOCUMENT MEET THE REQUIREMENTS OF MIL-C-24308 AND MATE WITH ANY PLUG CONNECTOR WITH SAME INSERT ARRANGEMENT.
- 3. MARKED WITH .047 [1.19]-.062 [1.57] HIGH CHARACTERS. FAR SIDE REFERS TO THE WIDE SIDE OF THE KEYSTONE. NEAR SIDE REFERS TO THE NARROW SIDE OF THE KEYSTONE. IF THE SHELL IS TOO SMALL FOR ENTIRE MARKING MARKING SHALL BE SPLIT AS FOLLOWS:
 - A. "M24308" ON FRONT SHELL, FAR SIDE.
 - B. SLASH SHEET AND DASH NUMBER ON REAR SHELL, FAR SIDE.
 - C. "MFG'S" (NAME, BRAND OR LOGO) AND DATE CODE ON FRONT SHELL, NEAR SIDE.
 - D. MFG'S PART NUMBER ON REAR SHELL, NEAR SIDE.
- 4. REQUIREMENT FOR FULL PIN DIAMETER EXTENSION: .159 [4.04] MIN FOR SHELL SIZE 1 THRU 2; .150 [3.81] MIN FOR SHELL SIZE 3, 4 & 5.
- 5. SOLDER DIPPED PER J-STD-001 WITH Sn63 SOLDER PER J-STD-006 IN THE ENTIRE AREA OF DIMENSION SHOWN. (1757827-6 THRU -10 ONLY.)
- 6. MEETS SOLDERABILITY PER MIL-STD-202 METHOD 208.
- 7. SPACERS (QTY = 2) ARE SUPPLIED WITH CONNECTOR; NOT ATTACHED.

MFG'S (NAME, BRAND OR LOGO), MFG'S PART NO. AND DATE CODE MARKED ON FAR SIDE

SHELL, FRONT & REAR
MATL: STEEL PER ASTM A 109 OR EQUIVALENT
FINISH: ZINC PLATED .000200 [0.0051] MIN THK PER ASTM-B-633; YELLOW CHROMATE

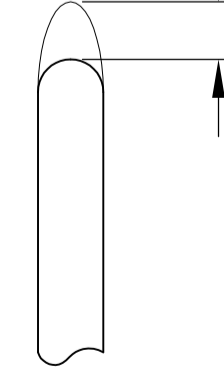


CONTACT (QTY = NO. OF POSN)
MATL: BRASS PER ASTM-B-16, OR BERYLLIUM COPPER PER ASTM-B-194
FINISH: GOLD PER ASTM-B-488, TYPE II, GRADE C, CLASS 1.27 IN CONTACT MATING AREA, .000010 [0.0003] MIN THK GOLD PER ASTM-B-488 OVER .000050 [0.0013] MIN THK NICKEL PER SAE-AMS-QQ-N-290 ON CONTACT BODY

INSERT
MATL: POLYPHENYLENE SULFIDE (PPS) TYPE: GST-40F PER MIL-M-24519, OR POLYESTER PER MIL-M-24519, TYPE: GLCP-30F
COLOR: BLACK

MILITARY PART NO. MARKED ON FAR SIDE

.030 [0.76] MAX EXTENSION PERMISSIBLE DUE TO SOLDER DIPPING

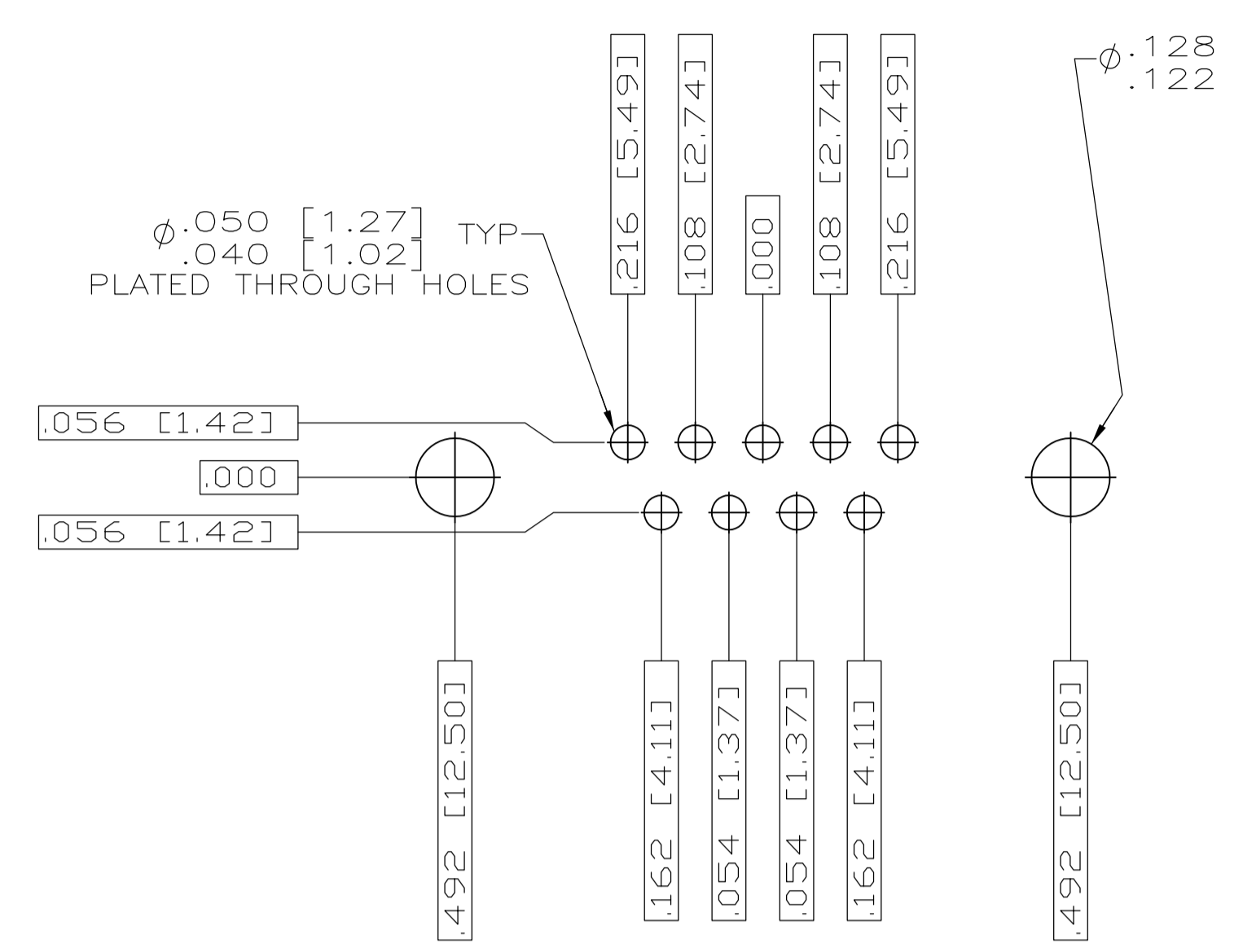


DETAIL K SCALE 10:1 FOR 1757827-6 THRU -10 ONLY

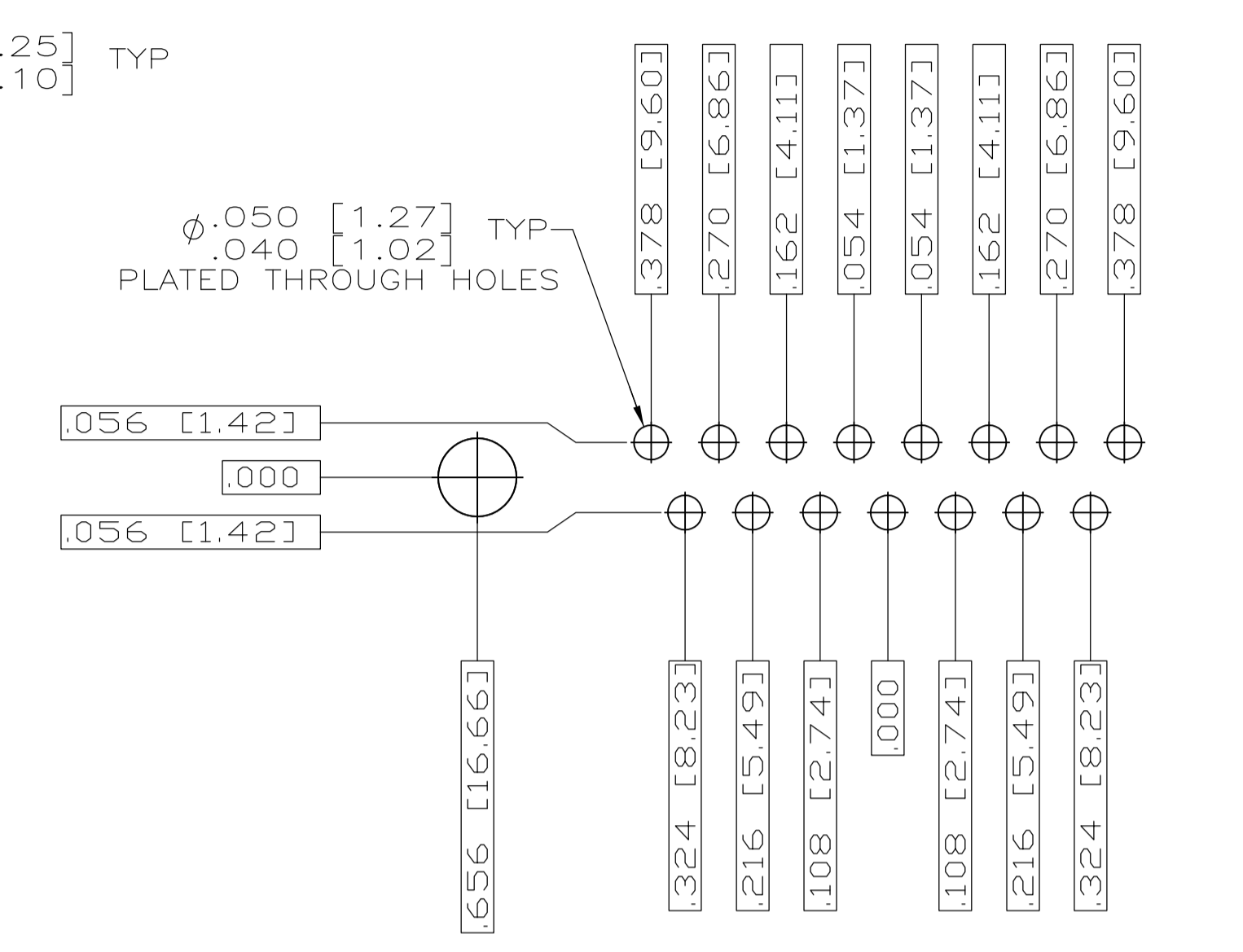
.049	[1.24]	.544	[13.82]	2.188	[55.58]	.236	[5.99]	.436	[11.07]	.620	[15.75]	.446	[11.33]	2.411	[61.24]	2.084	[52.93]	2.650	[67.31]	MS18277-1	50	5	M24308/24-5Z	1757827-5	1-1757827-0
.029	[0.74]	.524	[13.31]	2.168	[55.07]	.224	[5.69]	.416	[10.57]	.590	[14.99]	.436	[11.07]	2.401	[60.99]	2.074	[52.68]	2.620	[66.55]						
.049	[1.24]	.432	[10.97]	2.282	[57.96]	.236	[5.99]	.436	[11.07]	.509	[12.93]	.334	[8.48]	2.505	[63.63]	2.187	[55.55]	2.744	[69.70]	MS18276-1	37	4	M24308/24-4Z	1757827-4	1757827-9
.029	[0.74]	.412	[10.46]	2.262	[57.45]	.224	[5.69]	.416	[10.57]	.479	[12.17]	.324	[8.23]	2.495	[63.37]	2.177	[55.30]	2.714	[68.94]						
.049	[1.24]	.432	[10.97]	1.635	[41.53]	.236	[5.99]	.436	[11.07]	.509	[12.93]	.334	[8.48]	1.857	[47.17]	1.539	[39.09]	2.103	[53.42]	MS18275-1	25	3	M24308/24-3Z	1757827-3	1757827-8
.029	[0.74]	.412	[10.46]	1.615	[41.02]	.224	[5.69]	.416	[10.57]	.479	[12.17]	.324	[8.23]	1.847	[46.91]	1.529	[38.84]	2.073	[52.65]						
.040	[1.02]	.432	[10.97]	1.093	[27.76]	.238	[6.05]	.432	[10.97]	.509	[12.93]	.334	[8.48]	1.317	[33.45]	.999	[25.37]	1.556	[39.52]	MS18274-1	15	2	M24308/24-2Z	1757827-2	1757827-7
.020	[0.51]	.412	[10.46]	1.073	[27.25]	.229	[5.82]	.412	[10.46]	.479	[12.17]	.324	[8.23]	1.307	[33.20]	.989	[25.12]	1.526	[38.76]						
.040	[1.02]	.432	[10.97]	.769	[19.53]	.238	[6.05]	.432	[10.97]	.509	[12.93]	.334	[8.48]	.989	[25.12]	.671	[17.04]	1.228	[31.19]	MS18273-1	9	1	M24308/24-1Z	1757827-1	1757827-6
.020	[0.51]	.412	[10.46]	.749	[19.02]	.229	[5.82]	.412	[10.46]	.479	[12.17]	.324	[8.23]	.979	[24.87]	.661	[16.79]	1.198	[30.43]						
.049	[1.24]	.544	[13.82]	2.188	[55.58]	.236	[5.99]	.436	[11.07]	.620	[15.75]	.446	[11.33]	2.411	[61.24]	2.084	[52.93]	2.650	[67.31]	MS18277-1	50	5	M24308/24-5Z	1757827-5	1757827-5
.029	[0.74]	.524	[13.31]	2.168	[55.07]	.224	[5.69]	.416	[10.57]	.590	[14.99]	.436	[11.07]	2.401	[60.99]	2.074	[52.68]	2.620	[66.55]						
.049	[1.24]	.432	[10.97]	2.282	[57.96]	.236	[5.99]	.436	[11.07]	.509	[12.93]	.334	[8.48]	2.505	[63.63]	2.187	[55.55]	2.744	[69.70]	MS18276-1	37	4	M24308/24-4Z	1757827-4	1757827-4
.029	[0.74]	.412	[10.46]	2.262	[57.45]	.224	[5.69]	.416	[10.57]	.479	[12.17]	.324	[8.23]	2.495	[63.37]	2.177	[55.30]	2.714	[68.94]						
.049	[1.24]	.432	[10.97]	1.635	[41.53]	.236	[5.99]	.436	[11.07]	.509	[12.93]	.334	[8.48]	1.857	[47.17]	1.539	[39.09]	2.103	[53.42]	MS18275-1	25	3	M24308/24-3Z	1757827-3	1757827-3
.029	[0.74]	.412	[10.46]	1.615	[41.02]	.224	[5.69]	.416	[10.57]	.479	[12.17]	.324	[8.23]	1.847	[46.91]	1.529	[38.84]	2.073	[52.65]						
.040	[1.02]	.432	[10.97]	1.093	[27.76]	.238	[6.05]	.432	[10.97]	.509	[12.93]	.334	[8.48]	1.317	[33.45]	.999	[25.37]	1.556	[39.52]	MS18274-1	15	2	M24308/24-2Z	1757827-2	1757827-2
.020	[0.51]	.412	[10.46]	1.073	[27.25]	.229	[5.82]	.412	[10.46]	.479	[12.17]	.324	[8.23]	1.307	[33.20]	.989	[25.12]	1.526	[38.76]						
.040	[1.02]	.432	[10.97]	.769	[19.53]	.238	[6.05]	.432	[10.97]	.509	[12.93]	.334	[8.48]	.989	[25.12]	.671	[17.04]	1.228	[31.19]	MS18273-1	9	1	M24308/24-1Z	1757827-1	1757827-1
.020	[0.51]	.412	[10.46]	.749	[19.02]	.229	[5.82]	.412	[10.46]	.479	[12.17]	.324	[8.23]	.979	[24.87]	.661	[16.79]	1.198	[30.43]						
L	J	H	G	F	E	D	C	B	A	INSERT ARRANGEMENT	NO OF POS	SHELL SIZE	MILITARY P/N ON CONNECTOR	MFG'S P/N ON CONNECTOR	PART NUMBER										

THIS DRAWING IS A CONTROLLED DOCUMENT.

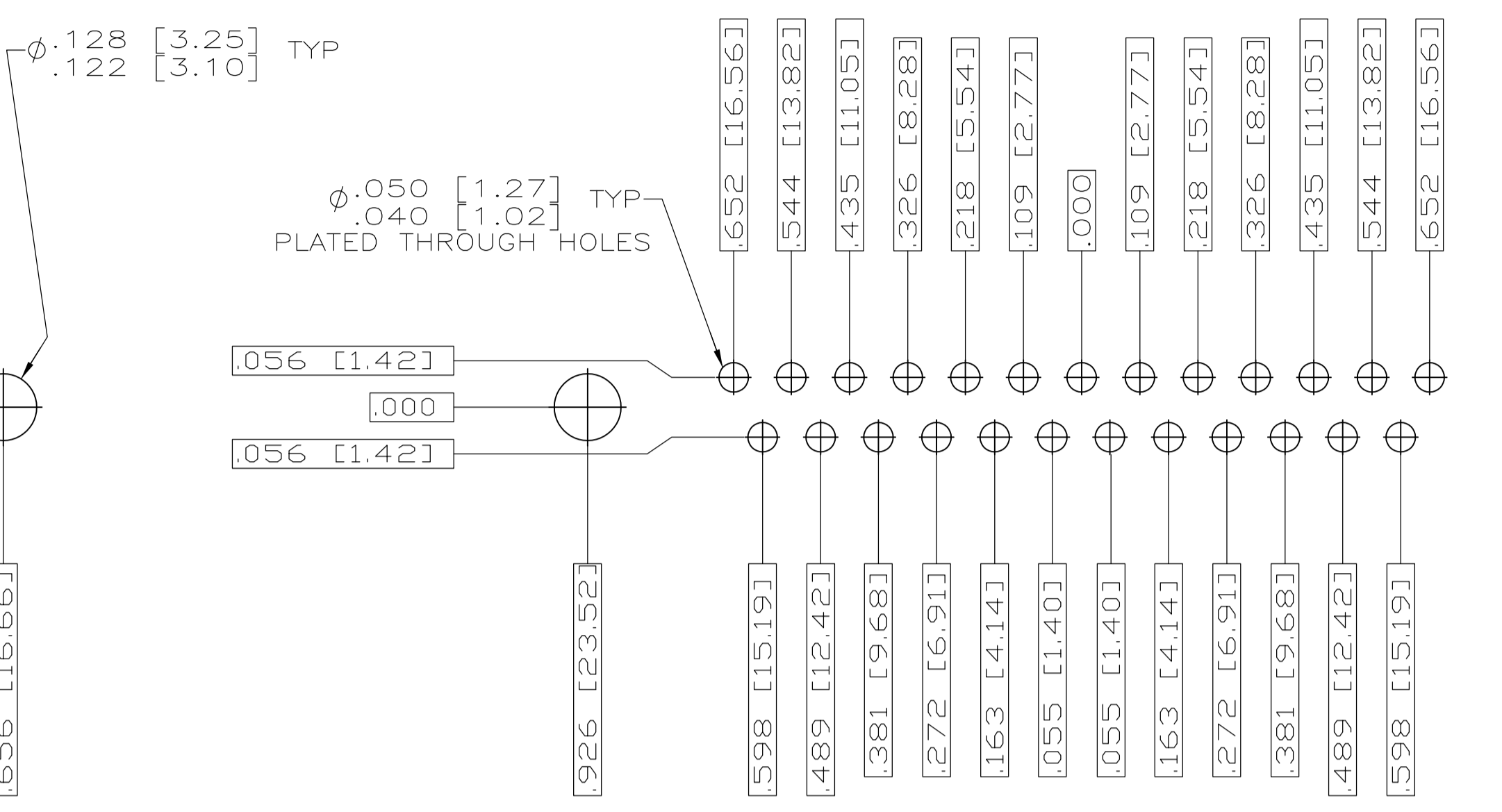
DIMENSIONS: INCHES	TOLERANCES UNLESS OTHERWISE SPECIFIED:	DIN C.C. THOMAS 3-28-06	TE Connectivity
0 PLC ± .005	1 PLC ± .005	3-29-06	
2 PLC ± .005	3 PLC ± .005 [0.13]		
4 PLC ± .005	ANGLES ± .1°		
MATERIAL SEE CALLOUTS	FINISH SEE CALLOUTS	WEIGHT	RESTRICTED TO
		A1 00779	1757827
		CUSTOMER DRAWING	SCALE 4:1 SHEET 1 OF 2 REV C



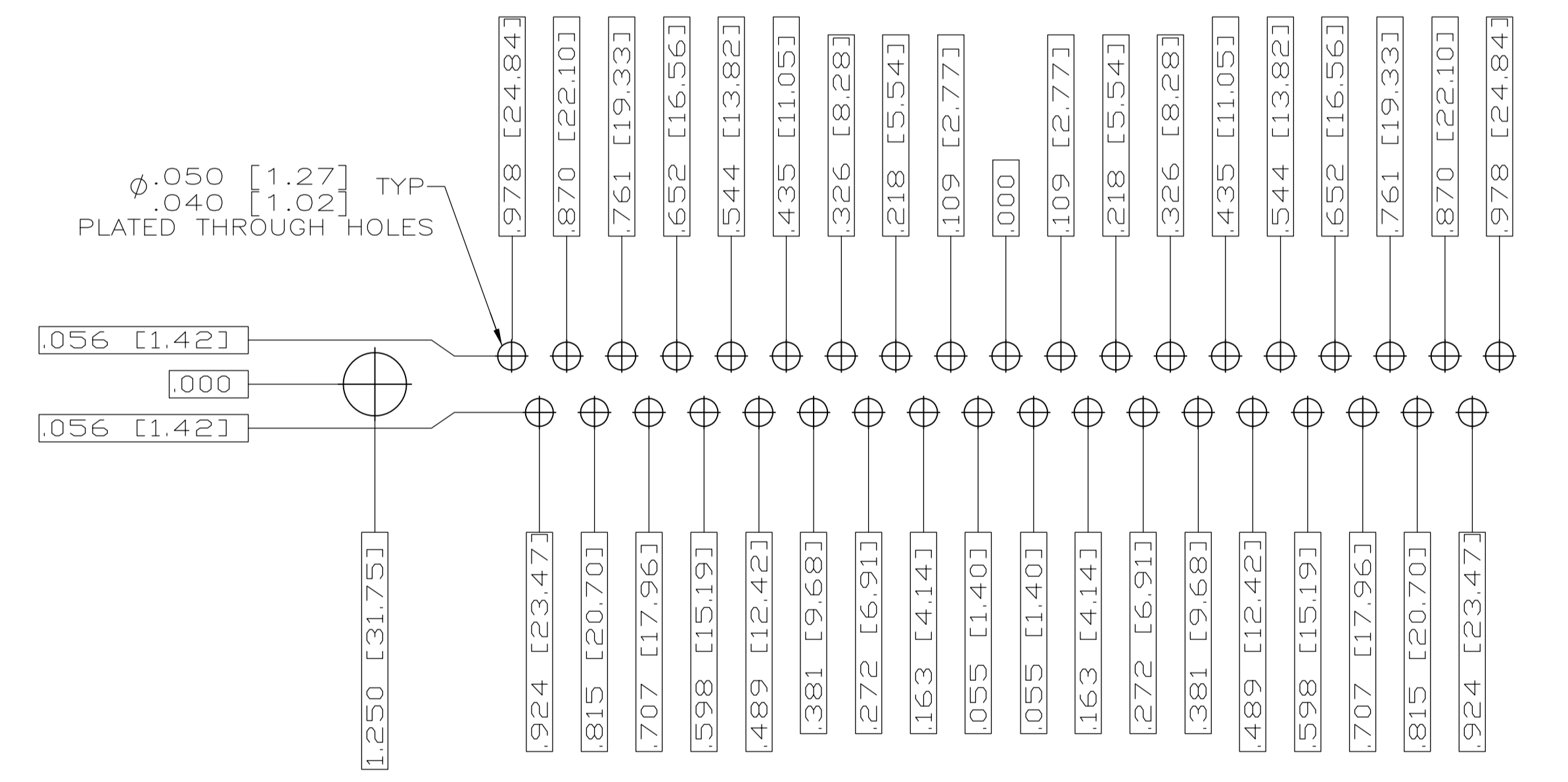
RECOMMENDED P.C. BOARD LAYOUT
SHELL SIZE 1 (9 POSITION) Δ



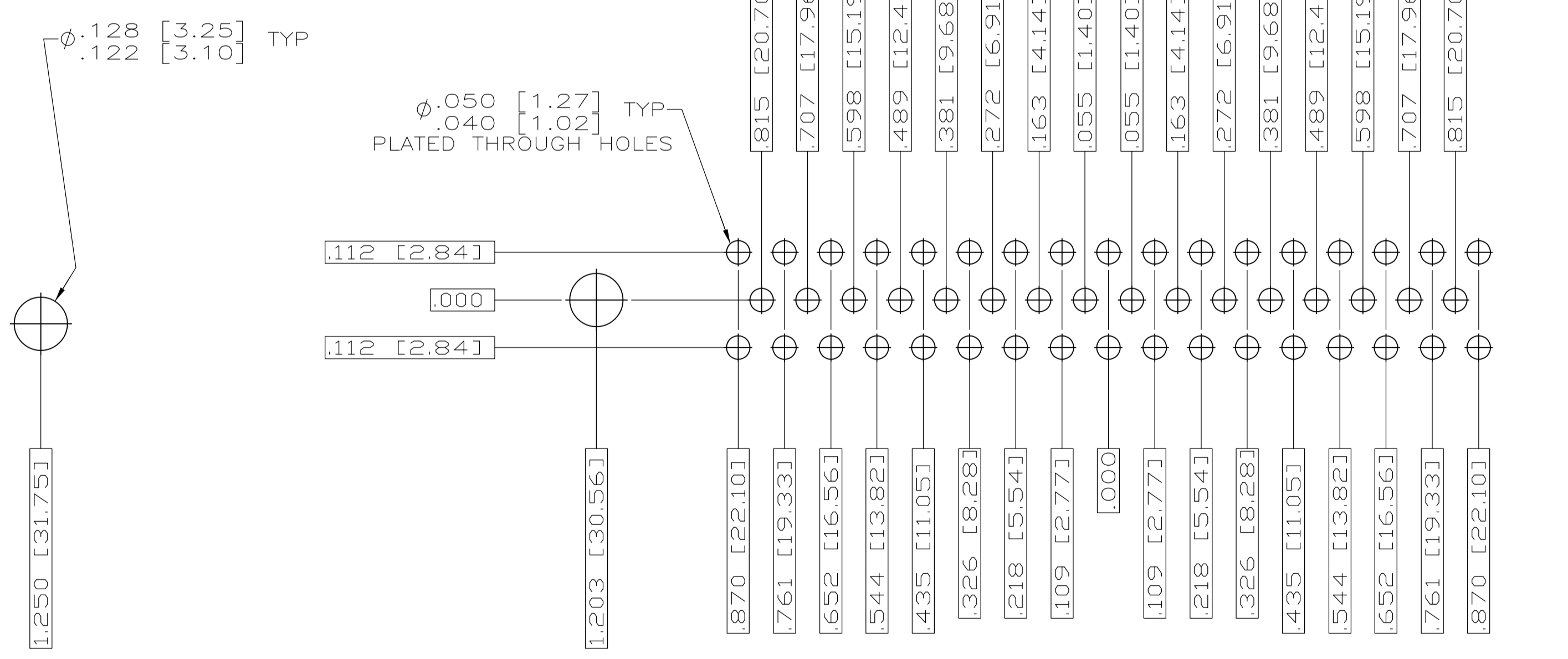
RECOMMENDED P.C. BOARD LAYOUT
SHELL SIZE 2 (15 POSITION) Δ



RECOMMENDED P.C. BOARD LAYOUT
SHELL SIZE 3 (25 POSITION) Δ



RECOMMENDED P.C. BOARD LAYOUT
SHELL SIZE 4 (37 POSITION) Δ



RECOMMENDED P.C. BOARD LAYOUT
SHELL SIZE 5 (50 POSITION) Δ

THIS DRAWING IS A CONTROLLED DOCUMENT.		DN C.C.THOMAS	3-27-06	 TE Connectivity
DIMENSIONS: INCHES		CHK D.MILLER	3-28-06	
TOLERANCES UNLESS OTHERWISE SPECIFIED:		APVD D.MILLER	3-28-06	NAME PLUG ASSEMBLY,AMPLIMITE SERIES 109,SIZE 1 THRU 5
0 PLC ± .005 1 PLC ± .005 2 PLC ± .005 3 PLC ± .005 4 PLC ± .005 ANGLES ± .1°	FINISH SEE CALLOUTS	APPLICATION SPEC WEIGHT CUSTOMER DRAWING	SIZE A1	CAGE CODE 00779
MATERIAL SEE CALLOUTS		DRAWING NO 1757827		RESTRICTED TO REV C
		SCALE 4:1		SHEET 2 OF 2

Компания «Океан Электроники» предлагает заключение долгосрочных отношений при поставках импортных электронных компонентов на взаимовыгодных условиях!

Наши преимущества:

- Поставка оригинальных импортных электронных компонентов напрямую с производств Америки, Европы и Азии, а так же с крупнейших складов мира;
- Широкая линейка поставок активных и пассивных импортных электронных компонентов (более 30 млн. наименований);
- Поставка сложных, дефицитных, либо снятых с производства позиций;
- Оперативные сроки поставки под заказ (от 5 рабочих дней);
- Экспресс доставка в любую точку России;
- Помощь Конструкторского Отдела и консультации квалифицированных инженеров;
- Техническая поддержка проекта, помощь в подборе аналогов, поставка прототипов;
- Поставка электронных компонентов под контролем ВП;
- Система менеджмента качества сертифицирована по Международному стандарту ISO 9001;
- При необходимости вся продукция военного и аэрокосмического назначения проходит испытания и сертификацию в лаборатории (по согласованию с заказчиком);
- Поставка специализированных компонентов военного и аэрокосмического уровня качества (Xilinx, Altera, Analog Devices, Intersil, Interpoint, Microsemi, Actel, Aeroflex, Peregrine, VPT, Syfer, Eurofarad, Texas Instruments, MS Kennedy, Miteq, Cobham, E2V, MA-COM, Hittite, Mini-Circuits, General Dynamics и др.);

Компания «Океан Электроники» является официальным дистрибьютором и эксклюзивным представителем в России одного из крупнейших производителей разъемов военного и аэрокосмического назначения «JONHON», а так же официальным дистрибьютором и эксклюзивным представителем в России производителя высокотехнологичных и надежных решений для передачи СВЧ сигналов «FORSTAR».



JONHON

«JONHON» (основан в 1970 г.)

Разъемы специального, военного и аэрокосмического назначения:

(Применяются в военной, авиационной, аэрокосмической, морской, железнодорожной, горно- и нефтедобывающей отраслях промышленности)

«FORSTAR» (основан в 1998 г.)

ВЧ соединители, коаксиальные кабели, кабельные сборки и микроволновые компоненты:

(Применяются в телекоммуникациях гражданского и специального назначения, в средствах связи, РЛС, а так же военной, авиационной и аэрокосмической отраслях промышленности).



Телефон: 8 (812) 309-75-97 (многоканальный)

Факс: 8 (812) 320-03-32

Электронная почта: ocean@oceanchips.ru

Web: <http://oceanchips.ru/>

Адрес: 198099, г. Санкт-Петербург, ул. Калинина, д. 2, корп. 4, лит. А