

Features:

- Cable length: See Page 2
- Cable OD 0.81mm
- Connector 1: RP SMA Female
- Connector 2: I-PEX MHF4 or equivalent
- Attenuation 1dB @ 1GHz
- Attenuation 3.5dB @ 6GHz
- RoHS Compliant

Applications:

- Jumper Cable



All dimensions are in mm / inches

Issue: 1901

In the effort to improve our products, we reserve the right to make changes judged to be necessary.

CONFIDENTIAL AND PROPRIETARY INFORMATION

This document contains confidential and proprietary information of Pulse Electronics, Inc. (Pulse) and is protected by copyright, trade secret and other state and federal laws. Its receipt or possession does not convey any rights to reproduce, disclose its contents, or to manufacture, use or sell anything it may describe. Reproduction, disclosure or use without specific written authorization of Pulse is strictly forbidden.

For more information:

Pulse Worldwide Headquarters
15255 Innovation Drive #100
San Diego, CA 92128
USA
Tel: 1-858-674-8100

Pulse/Larsen Antennas
18110 SE 34th St Bldg 2 Suite 250
Vancouver, WA 98683
USA
Tel: 1-360-944-7551

Europe Headquarters
Pulse GmbH & Do, KG
Zeppelinstrasse 15
Herrenberg, Germany
Tel: 49 7032 7806 0

Pulse (Suzhou) Wireless Products Co, Inc.
99 Huo Ju Road(#29 Bldg,4th Phase
Suzhou New District
Jiangsu Province, Suzhou 215009 PR China
Tel: 86 512 6807 9998



Description: **MHF4 – RP SMA Female Jumper Cable**

Series: **Cable Assembly**

PART NUMBER: W9037BDXXX

ELECTRICAL SPECIFICATIONS

| | |
|--------------------------|------------|
| Frequency | 0~8GHz |
| Nominal Impedance | 50±2 Ω |
| RL of Port-SMA | -12dB(Max) |
| RL of Port-MHF4 | -12dB(Max) |
| Max operating voltage(V) | 1000 |

| Frequency | Overall Attenuation/dB | | |
|-----------|------------------------|-------------|-------------|
| | W9037BD0100 | W9037BD0200 | W9037BD0250 |
| 0.1MHz | 0.05 | 0.06 | 0.07 |
| 1G | 0.45 | 0.75 | 0.89 |
| 2G | 0.63 | 1.06 | 1.27 |
| 3G | 0.79 | 1.33 | 1.58 |
| 4G | 0.95 | 1.58 | 1.88 |
| 5G | 1.08 | 1.81 | 2.15 |
| 6G | 1.34 | 2.11 | 2.45 |
| 7G | 1.57 | 2.42 | 2.90 |
| 8G | 1.91 | 2.77 | 3.15 |

MECHANICAL SPECIFICATIONS

| | Connector Type | Cable Tpye | Overall Length(m m/in) | Cable Length(m m/in) | Weight(g) | Color |
|-------------|-------------------------------------------------------------|-------------------------------|---------------------------|-------------------------|-----------|-------|
| W9037BD0100 | I-PEX MHF4 or equivalent + RP SMA Female with Spring Washer | Φ0.81 MM Coaxial Cable, Black | 116/4.57 | 100/3.94 | 3 | Black |
| W9037BD0200 | | | 216/8.50 | 200/7.87 | 3.3 | |
| W9037BD0250 | | | 266/10.47 | 250/9.84 | 3.5 | |

ENVIRONMENTAL SPECIFICATIONS

| | |
|-----------------------|-----------|
| Operating Temperature | -40~85° C |
| Storage Temperature | -40~85° C |
| RoHS Compliant | Yes |

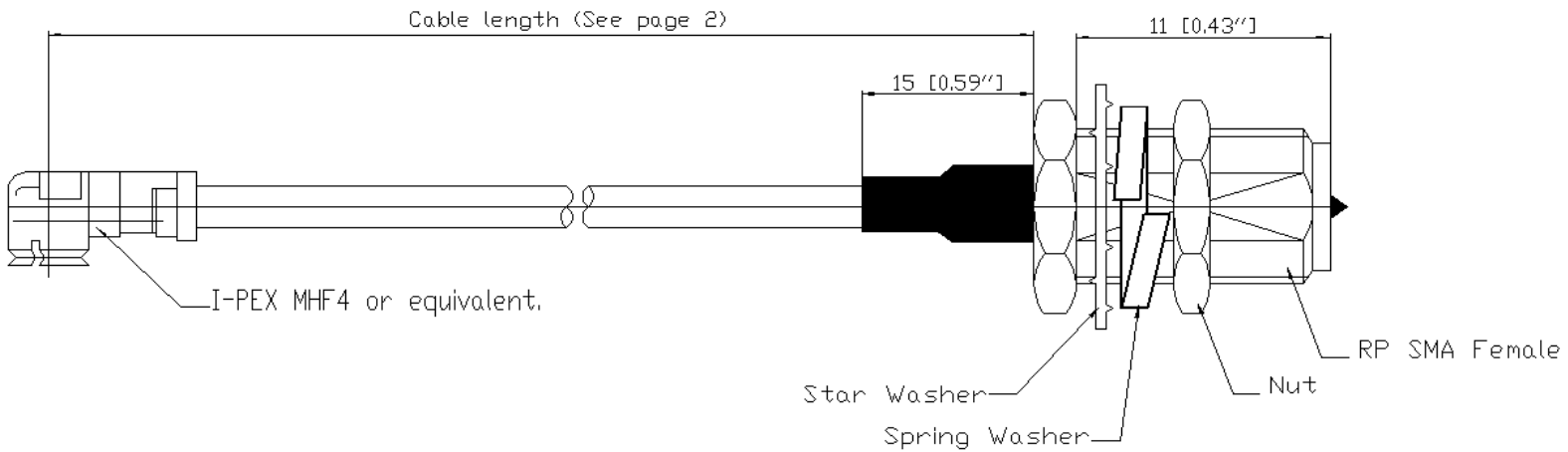
Issue: 1901

In the effort to improve our products, we reserve the right to make changes judged to be necessary.

CONFIDENTIAL AND PROPRIETARY INFORMATION

This document contains confidential and proprietary information of Pulse Electronics, Inc. (Pulse) and is protected by copyright, trade secret and other state and federal laws. Its receipt or possession does not convey any rights to reproduce, disclose its contents, or to manufacture, use or sell anything it may describe. Reproduction, disclosure or use without specific written authorization of Pulse is strictly forbidden.

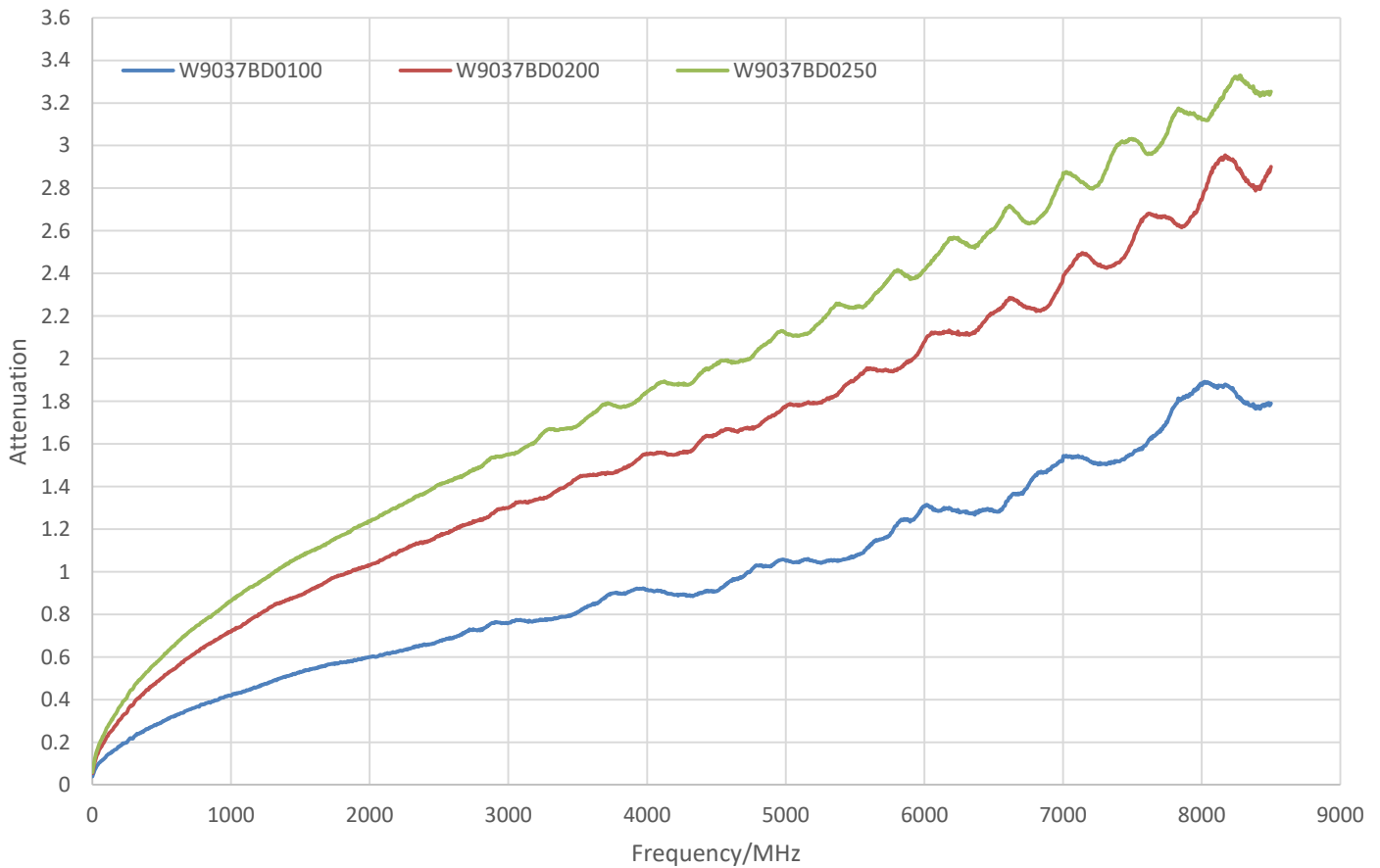
MECHANICAL DRAWING



CHARTS

Attenuation of the W9037 vs Frequency

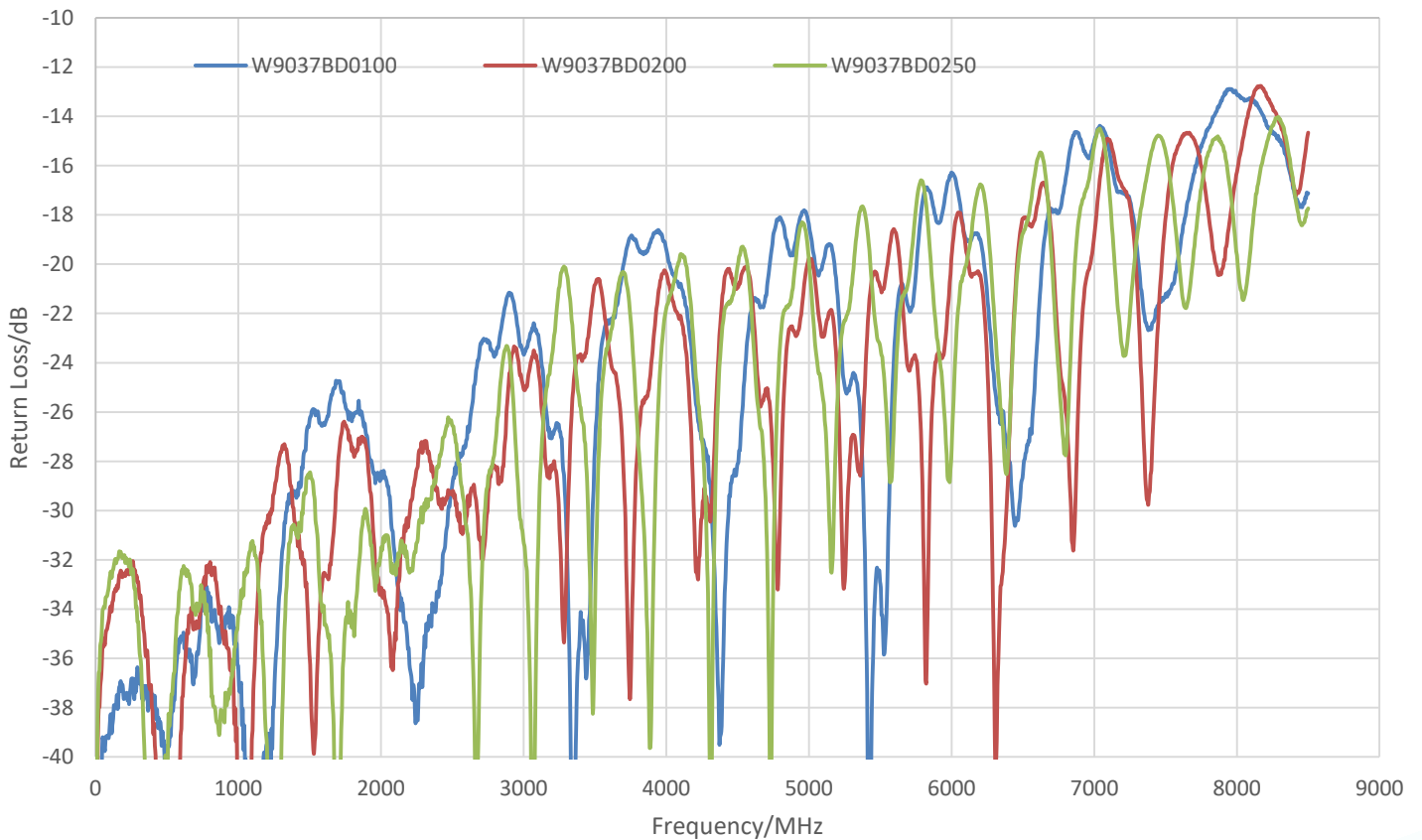
W9037/Attenuation



CHARTS

Return Loss of Port-SMA vs Frequency

W9037/Port-SMA



Issue: 1901

In the effort to improve our products, we reserve the right to make changes judged to be necessary.

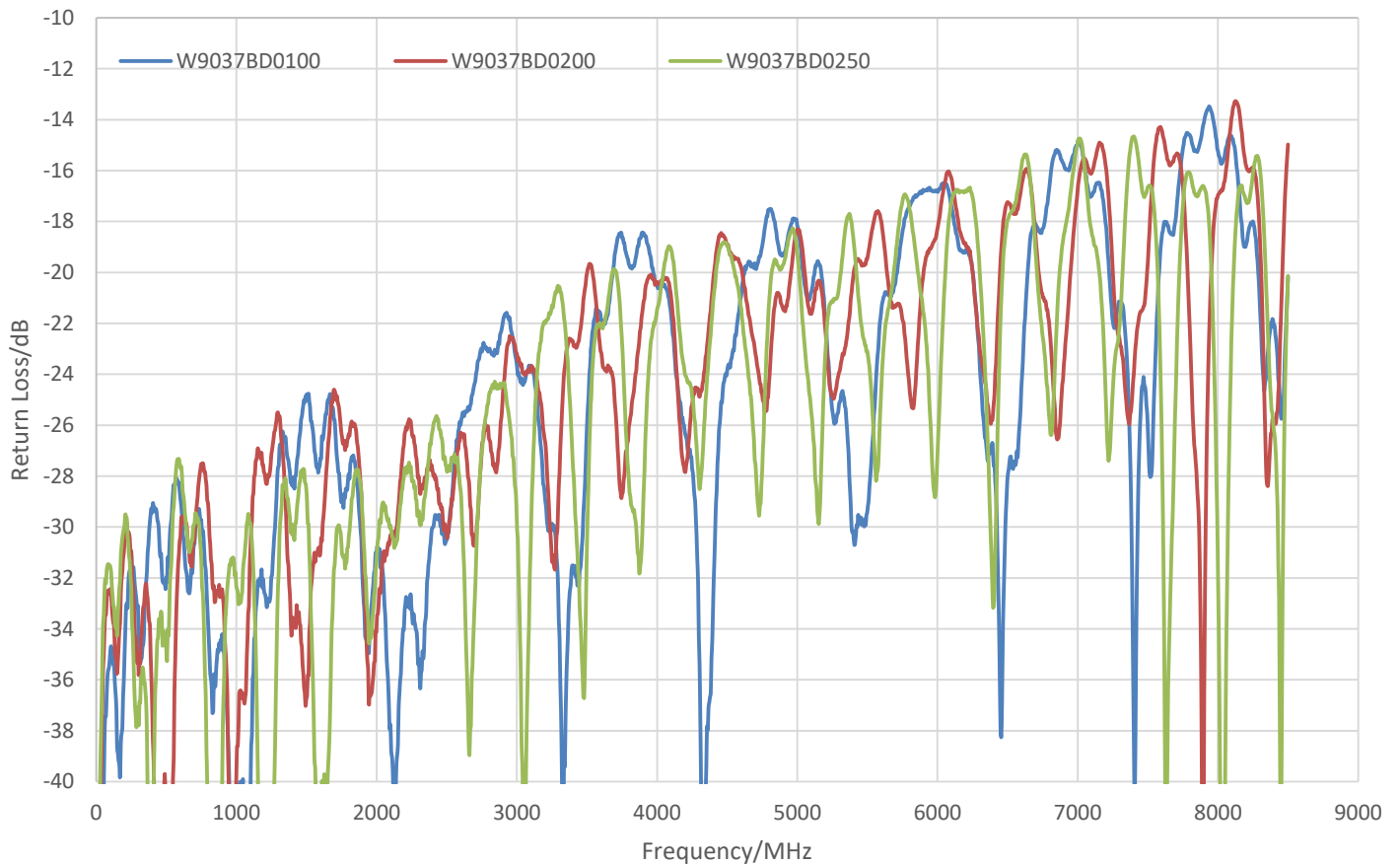
CONFIDENTIAL AND PROPRIETARY INFORMATION

This document contains confidential and proprietary information of Pulse Electronics, Inc. (Pulse) and is protected by copyright, trade secret and other state and federal laws. Its receipt or possession does not convey any rights to reproduce, disclose its contents, or to manufacture, use or sell anything it may describe. Reproduction, disclosure or use without specific written authorization of Pulse is strictly forbidden.

CHARTS

Return Loss of Port-MHF4 vs Frequency

W9037/Port-MHF4



Issue: 1901

In the effort to improve our products, we reserve the right to make changes judged to be necessary.

CONFIDENTIAL AND PROPRIETARY INFORMATION

This document contains confidential and proprietary information of Pulse Electronics, Inc. (Pulse) and is protected by copyright, trade secret and other state and federal laws. Its receipt or possession does not convey any rights to reproduce, disclose its contents, or to manufacture, use or sell anything it may describe. Reproduction, disclosure or use without specific written authorization of Pulse is strictly forbidden.

Description: **MHF4 – RP SMA Female
Jumper Cable**

Series: **Cable Assembly**

PART NUMBER: W9037BDXXXX

PACKAGING

Quantity: **20 PCS / Column PE bag, 2000 pcs / Box**



Issue: 1901

In the effort to improve our products, we reserve the right to make changes judged to be necessary.

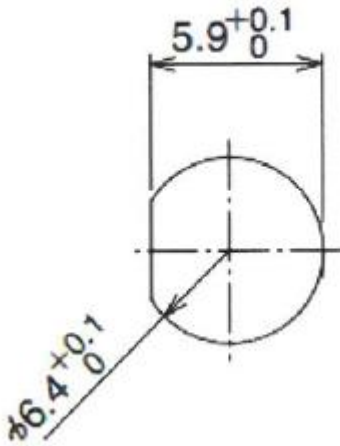
CONFIDENTIAL AND PROPRIETARY INFORMATION

This document contains confidential and proprietary information of Pulse Electronics, Inc. (Pulse) and is protected by copyright, trade secret and other state and federal laws. Its receipt or possession does not convey any rights to reproduce, disclose its contents, or to manufacture, use or sell anything it may describe. Reproduction, disclosure or use without specific written authorization of Pulse is strictly forbidden.

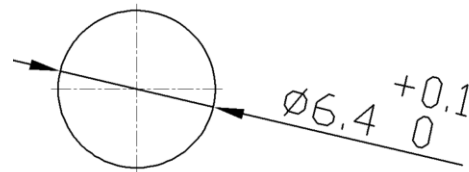
ASSEMBLY

The RP-SMA male connector fits through the assembly hole, the hole size is below.
SMA connector thread length: 11mm / 0.43in

● **Panel cut-out**



Option 1



Option 2

Компания «Океан Электроники» предлагает заключение долгосрочных отношений при поставках импортных электронных компонентов на взаимовыгодных условиях!

Наши преимущества:

- Поставка оригинальных импортных электронных компонентов напрямую с производств Америки, Европы и Азии, а так же с крупнейших складов мира;
- Широкая линейка поставок активных и пассивных импортных электронных компонентов (более 30 млн. наименований);
- Поставка сложных, дефицитных, либо снятых с производства позиций;
- Оперативные сроки поставки под заказ (от 5 рабочих дней);
- Экспресс доставка в любую точку России;
- Помощь Конструкторского Отдела и консультации квалифицированных инженеров;
- Техническая поддержка проекта, помощь в подборе аналогов, поставка прототипов;
- Поставка электронных компонентов под контролем ВП;
- Система менеджмента качества сертифицирована по Международному стандарту ISO 9001;
- При необходимости вся продукция военного и аэрокосмического назначения проходит испытания и сертификацию в лаборатории (по согласованию с заказчиком);
- Поставка специализированных компонентов военного и аэрокосмического уровня качества (Xilinx, Altera, Analog Devices, Intersil, Interpoint, Microsemi, Actel, Aeroflex, Peregrine, VPT, Syfer, Eurofarad, Texas Instruments, MS Kennedy, Miteq, Cobham, E2V, MA-COM, Hittite, Mini-Circuits, General Dynamics и др.);

Компания «Океан Электроники» является официальным дистрибьютором и эксклюзивным представителем в России одного из крупнейших производителей разъемов военного и аэрокосмического назначения «JONHON», а так же официальным дистрибьютором и эксклюзивным представителем в России производителя высокотехнологичных и надежных решений для передачи СВЧ сигналов «FORSTAR».



JONHON

«JONHON» (основан в 1970 г.)

Разъемы специального, военного и аэрокосмического назначения:

(Применяются в военной, авиационной, аэрокосмической, морской, железнодорожной, горно- и нефтедобывающей отраслях промышленности)

«FORSTAR» (основан в 1998 г.)

ВЧ соединители, коаксиальные кабели, кабельные сборки и микроволновые компоненты:

(Применяются в телекоммуникациях гражданского и специального назначения, в средствах связи, РЛС, а так же военной, авиационной и аэрокосмической отраслях промышленности).



Телефон: 8 (812) 309-75-97 (многоканальный)

Факс: 8 (812) 320-03-32

Электронная почта: ocean@oceanchips.ru

Web: <http://oceanchips.ru/>

Адрес: 198099, г. Санкт-Петербург, ул. Калинина, д. 2, корп. 4, лит. А