

# NB7L572

## 2.5V / 3.3V Differential 4:1 Mux Input to 1:2 LVPECL Clock/Data Fanout / Translator

### Multi-Level Inputs w/ Internal Termination

The NB7L572 is a high performance differential 4:1 Clock/Data input multiplexer and a 1:2 LVPECL Clock/Data fanout buffer. The  $IN_x/\overline{IN}_x$  inputs includes internal  $50\ \Omega$  termination resistors and will accept differential LVPECL, CML, or LVDS logic levels. The NB7L572 incorporates a pair of Select pins that will choose one of four differential inputs and will produce two identical LVPECL output copies of Clock or Data operating up to 7 GHz or 10 Gb/s, respectively. As such, NB7L572 is ideal for SONET, GigE, Fiber Channel, Backplane and other Clock/Data distribution applications.

The NB7L572  $IN_x/\overline{IN}_x$  inputs, outputs and core logic are powered by a  $2.5\ V \pm 5\% V$  or  $3.3\ V \pm 10\%$  power supply. The two differential LVPECL outputs will swing 750 mV when externally terminated with a  $50\ \Omega$  resistor to  $V_{CC} - 2\ V$ , and are optimized for low skew and minimal jitter.

The NB7L572 is offered in a low profile 5x5 mm 32-pin QFN Pb-free package. Application notes, models, and support documentation are available at [www.onsemi.com](http://www.onsemi.com).

The NB7L572 is a member of the GigaComm™ family of high performance clock products.

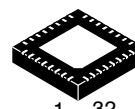
### Features

- Input Data Rate > 10.7 Gb/s Typical
- Data Dependent Jitter < 15 ps
- Maximum Input Clock Frequency > 7 GHz Typical
- Random Clock Jitter < 0.8 ps RMS
- Low Skew 1:2 LVPECL Outputs, < 15 ps max
- 4:1 Multi-Level Mux Inputs, Accepts LVPECL, CML LVDS
- 150 ps Typical Propagation Delay
- 45 ps Typical Rise and Fall Times
- Differential LVPECL Outputs, 750 mV Peak-to-Peak, Typical
- Operating Range:  $V_{CC} = 2.375\ V$  to  $3.6\ V$
- Internal  $50\ \Omega$  Input Termination Resistors
- $V_{REFAC}$  Reference Output
- $-40^\circ C$  to  $+85^\circ C$  Ambient Operating Temperature
- These are Pb-Free Devices



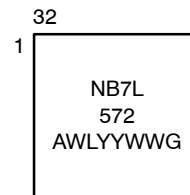
ON Semiconductor®

<http://onsemi.com>



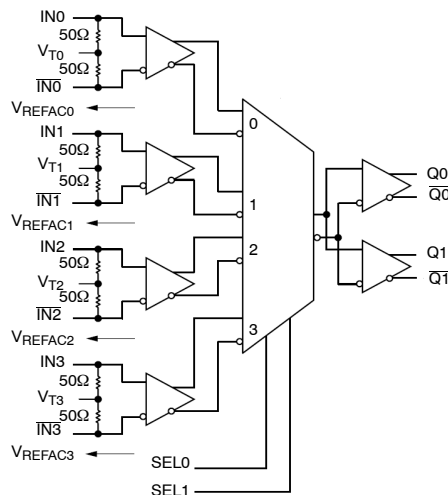
QFN32  
MN SUFFIX  
CASE 488AM

### MARKING DIAGRAM\*



A = Assembly Site  
WL = Wafer Lot  
YY = Year  
WW = Work Week  
G = Pb-Free Package

\*For additional marking information, refer to Application Note AND8002/D.



### ORDERING INFORMATION

See detailed ordering and shipping information in the package dimensions section on page 8 of this data sheet.

# NB7L572

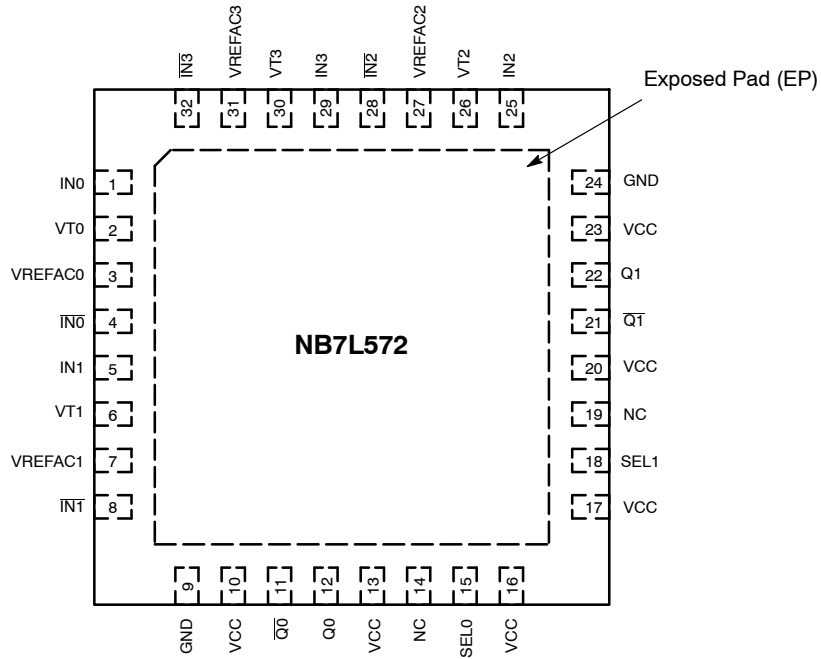


Figure 1. Pinout Configuration (Top View)

Table 1. INPUT SELECT FUNCTION TABLE

SEL1*	SEL0*	Clock / Data Input Selected
0	0	IN0 Input Selected
0	1	IN1 Input Selected
1	0	IN2 Input Selected
1	1	IN3 Input Selected

\*Defaults HIGH when left open.

# NB7L572

**Table 2. PIN DESCRIPTION**

Pin	Name	I/O	Description
1, 4 5, 8 25, 28 29, 32	IN0, $\overline{\text{IN0}}$ IN1, $\overline{\text{IN1}}$ IN2, $\overline{\text{IN2}}$ IN3, $\overline{\text{IN3}}$	LVPECL, CML, LVDS Input	Non-inverted, Inverted, Differential Clock or Data Inputs.
2, 6 26, 30	VT0, VT1 VT2, VT3		Internal 100 $\Omega$ Center-tapped Termination Pin for INx / $\overline{\text{INx}}$
15 18	SEL0 SEL1	LVTTTL/LVCMOS Input	Input Select pins, default HIGH when left open through a 28k- $\Omega$ pull-up resistor. Input logic threshold is $V_{CC}/2$ . See Select Function, Table 1.
14, 19	NC	-	No Connect
10, 13, 16 17, 20, 23	VCC	-	Positive Supply Voltage. All VCC pins must be connected to the positive power supply for correct DC and AC operation.
11, 12 21, 22	$\overline{\text{Q0}}$ , Q0 $\overline{\text{Q1}}$ , Q1	LVPECL Output	Inverted, Non-inverted Differential Outputs.
9, 24	GND		Negative Supply Voltage, connected to Ground
3 7 27 31	VREFAC0 VREFAC1 VREFAC2 VREFAC3	-	Output Voltage Reference for Capacitor-Coupled Inputs
-	EP	-	The Exposed Pad (EP) on the QFN-32 package bottom is thermally connected to the die for improved heat transfer out of package. The exposed pad must be attached to a heat-sinking conduit. The pad is electrically connected to the die, and must be electrically connected to GND.

1. In the differential configuration when the input termination pins (VT0, VT1, VT2, VT3) are connected to a common termination voltage or left open, and if no signal is applied on INx /  $\overline{\text{INx}}$  input, then the device will be susceptible to self-oscillation.
2. All VCC, and GND pins must be externally connected to a power supply for proper operation.

# NB7L572

**Table 3. ATTRIBUTES**

Characteristic	Value
ESD Protection Human Body Model Machine Model	> 4 kV > 150 V
Input Pullup Resistor ( $R_{PU}$ )	28 k $\Omega$
Moisture Sensitivity (Note 3) QFN32	Level 1
Flammability Rating Oxygen Index: 28 to 34	UL 94 V-0 @ 0.125 in
Transistor Count	205
Meets or exceeds JEDEC Spec EIA/JESD78 IC Latchup Test	

3. For additional information, see Application Note AND8003/D.

**Table 4. MAXIMUM RATINGS**

Symbol	Parameter	Condition 1	Condition 2	Rating	Unit
$V_{CC}$	Positive Power Supply	GND = 0 V		-0.5 to +4.0	V
$V_{IN}$	Positive Input Voltage	GND = 0 V		-0.5 to $V_{CC} + 0.5$	V
$V_{INPP}$	Differential Input Voltage $ I_N - \bar{I}_N $			1.89	V
$I_{out}$	LVPECL Output Current	Continuous Surge		50 100	mA mA
$I_{IN}$	Input Current Through RT (50 $\Omega$ Resistor)			$\pm 40$	mA
$T_A$	Operating Temperature Range			-40 to +85	$^{\circ}C$
$T_{stg}$	Storage Temperature Range			-65 to +150	$^{\circ}C$
$\theta_{JA}$	Thermal Resistance (Junction-to-Ambient) (Note 4)	0 lfpm 500 lfpm	QFN-32 QFN-32	31 27	$^{\circ}C/W$ $^{\circ}C/W$
$\theta_{JC}$	Thermal Resistance (Junction-to-Case) (Note 4)		QFN-32	12	$^{\circ}C/W$
$T_{sol}$	Wave Solder	$\leq 20$ sec		265	$^{\circ}C$

Stresses exceeding Maximum Ratings may damage the device. Maximum Ratings are stress ratings only. Functional operation above the Recommended Operating Conditions is not implied. Extended exposure to stresses above the Recommended Operating Conditions may affect device reliability.

4. JEDEC standard multilayer board – 2S2P (2 signal, 2 power) with 8 filled thermal vias under exposed pad.

# NB7L572

**Table 5. DC CHARACTERISTICS POSITIVE LVPECL OUTPUT**  $V_{CC} = 2.375\text{ V to }3.6\text{ V}$ ,  $GND = 0\text{ V}$ ,  $T_A = -40^\circ\text{C to }+85^\circ\text{C}$   
(Note 6)

Symbol	Characteristic	Min	Typ	Max	Unit
--------	----------------	-----	-----	-----	------

## POWER SUPPLY

$V_{CC}$	Power Supply Voltage	$V_{CC} = 2.5\text{ V}$ $V_{CC} = 3.3\text{ V}$	2.375 3.0	2.5 3.3	2.625 3.6	V
$I_{CC}$	Power Supply Current for $V_{CC}$ (Inputs and Outputs Open)			90	110	mA

## LVPECL OUTPUTS

$V_{OH}$	Output HIGH Voltage (Note 6)	$V_{CC} = 2.5\text{ V}$ $V_{CC} = 3.3\text{ V}$	$V_{CC} - 1145$ 1355 2155	$V_{CC} - 900$ 1600 2400	$V_{CC} - 825$ 1675 2475	mV
$V_{OL}$	Output LOW Voltage (Note 6)	$V_{CC} = 2.5\text{ V}$ $V_{CC} = 3.3\text{ V}$	$V_{CC} - 2000$ 500 1300	$V_{CC} - 1700$ 800 1600	$V_{CC} - 1500$ 1000 1800	mV

## DIFFERENTIAL CLOCK INPUTS DRIVEN SINGLE-ENDED (Figures 4 & 6) (Note 7)

$V_{IH}$	Single-Ended Input HIGH Voltage		$V_{th} + 100$		$V_{CC}$	mV
$V_{IL}$	Single-Ended Input LOW Voltage		GND		$V_{th} - 100$	mV
$V_{th}$	Input Threshold Reference Voltage Range (Note 8)		1100		$V_{CC} - 100$	mV
$V_{ISE}$	Single-Ended Input Voltage ( $V_{IH} - V_{IL}$ )		200		1200	mV

## VREFAC

$V_{REF-AC}$	Output Reference Voltage (100 $\mu\text{A}$ Load)		$V_{CC} - 1500$	$V_{CC} - 1200$	$V_{CC} - 1000$	mV
--------------	---	--	-----------------	-----------------	-----------------	----

## DIFFERENTIAL INPUTS DRIVEN DIFFERENTIALLY (Figures 5 & 7) (Note 9)

$V_{IHD}$	Differential Input HIGH Voltage ( $I_N, \bar{I}_N$ )		1200		$V_{CC}$	mV
$V_{ILD}$	Differential Input LOW Voltage ( $I_N, \bar{I}_N$ )		0		$V_{IHD} - 100$	mV
$V_{ID}$	Differential Input Voltage ( $I_N, \bar{I}_N$ ) ( $V_{IHD} - V_{ILD}$ )		100		1200	mV
$V_{CMR}$	Input Common Mode Range (Differential Configuration, Note 10) (Figure 8)		1150		$V_{CC} - 50$	mV
$I_{IH}$	Input HIGH Current $I_N/\bar{I}_N$ (VT IN/VT $\bar{I}_N$ Open)		-150		150	$\mu\text{A}$
$I_{IL}$	Input LOW Current $I_N/\bar{I}_N$ (VT IN/VT $\bar{I}_N$ Open)		-150		150	$\mu\text{A}$

## CONTROL INPUT (SELx Pin)

$V_{IH}$	Input HIGH Voltage for Control Pin		2.0		$V_{CC}$	V
$V_{IL}$	Input LOW Voltage for Control Pin		GND		0.8	V
$I_{IH}$	Input HIGH Current				40	$\mu\text{A}$
$I_{IL}$	Input LOW Current		-215		0	$\mu\text{A}$

## TERMINATION RESISTORS

$R_{TIN}$	Internal Input Termination Resistor (Measured from $I_N$ x to $V_T$ x)		45	50	55	$\Omega$
-----------	--	--	----	----	----	----------

NOTE: Device will meet the specifications after thermal equilibrium has been established when mounted in a test socket or printed circuit board with maintained transverse airflow greater than 500 lpm. Electrical parameters are guaranteed only over the declared operating temperature range. Functional operation of the device exceeding these conditions is not implied. Device specification limit values are applied individually under normal operating conditions and not valid simultaneously.

- Input and Output parameters vary 1:1 with  $V_{CC}$ .
- LVPECL outputs loaded with 50  $\Omega$  to  $V_{CC} - 2\text{ V}$  for proper operation.
- $V_{th}$ ,  $V_{IH}$ ,  $V_{IL}$ , and  $V_{ISE}$  parameters must be complied with simultaneously.
- $V_{th}$  is applied to the complementary input when operating in single-ended mode.
- $V_{IHD}$ ,  $V_{ILD}$ ,  $V_{ID}$  and  $V_{CMR}$  parameters must be complied with simultaneously.
- $V_{CMR}$  min varies 1:1 with GND,  $V_{CMR}$  max varies 1:1 with  $V_{CC}$ . The  $V_{CMR}$  range is referenced to the most positive side of the differential input signal.

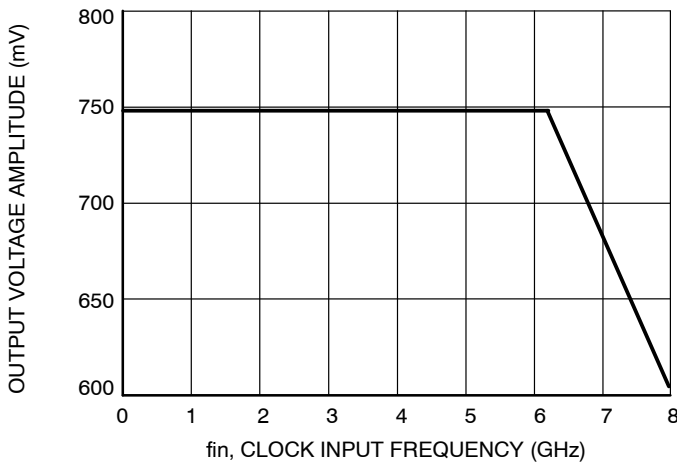
# NB7L572

**Table 6. AC CHARACTERISTICS**  $V_{CC} = 2.375\text{ V to }3.6\text{ V}$ ,  $GND = 0\text{ V}$ ,  $TA = -40^{\circ}\text{C to }+85^{\circ}\text{C}$  (Note 11)

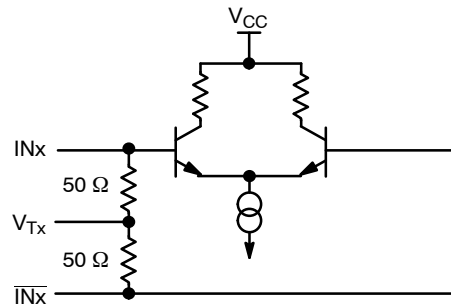
Symbol	Characteristic	Min	Typ	Max	Unit	
$f_{MAX}$	Maximum Input Clock Frequency $V_{OUT} \geq 400\text{ mV}$	7	8		GHz	
$f_{DATAMAX}$	Maximum Operating Data Rate NRZ, (PRBS23)	10	11		Gbps	
$V_{OUTPP}$	Output Voltage Amplitude (@ $V_{INPPmin}$ ) (Figure 2 & 9) (Note 12)	$f_{in} \leq 5\text{ GHz}$ 400	750 500		mV	
$t_{PLH}$ , $t_{PHL}$	Propagation Delay to Differential Outputs Measured at Differential Cross-Point	@ 1 GHz $INx/\overline{INx}$ to $Qx/\overline{Qx}$ (Figure 9) @ 50 MHz $SELx$ to $Qx$ (Figure 10)	125 300	150 1000	175 1000	ps
$t_{PD\ Tempco}$	Differential Propagation Delay Temperature Coefficient		115		fs/ $^{\circ}\text{C}$	
$t_{skew}$	Output – Output skew (within device) (Note 13) Device – Device skew (tpd max – tpd min)		0	10 50	ps	
$t_{DC}$	Output Clock Duty Cycle (Reference Duty Cycle = 50%)	45	50	55	%	
$t_{JITTER}$	Additive Random Clock Jitter, RJ(RMS) (Note 14) Data Dependent Jitter, DDJ (Note 15)	$f_{in} \leq 7.0\text{ GHz}$ $f_{in} \leq 10\text{ Gbps}$	0.5 6	0.8 15	ps rms ps pk-pk	
$V_{INPP}$	Input Voltage Swing (Differential Configuration) (Note 16)	100		1200	mV	
$t_r, t_f$	Output Rise/Fall Times @ 1 GHz; (20% – 80%), $V_{IN} = 800\text{ mV } Q, \overline{Q}$	25	45	65	ps	

NOTE: Device will meet the specifications after thermal equilibrium has been established when mounted in a test socket or printed circuit board with maintained transverse airflow greater than 500 lfm. Electrical parameters are guaranteed only over the declared operating temperature range. Functional operation of the device exceeding these conditions is not implied. Device specification limit values are applied individually under normal operating conditions and not valid simultaneously.

11. Measured using a 100 mVpk-pk source, 50% duty cycle clock source. All output loading with external  $50\ \Omega$  to  $V_{CC} - 2\text{ V}$ . Input edge rates 40 ps (20% – 80%).
12. Output voltage swing is a single-ended measurement operating in differential mode.
13. Skew is measured between outputs under identical transitions and conditions. Duty cycle skew is defined only for differential operation when the delays are measured from cross-point of the inputs to the cross-point of the outputs.
14. Additive RMS jitter with 50% duty cycle clock signal.
15. Additive Peak-to-Peak data dependent jitter with input NRZ data at K28.5.
16. Input voltage swing is a single-ended measurement operating in differential mode.



**Figure 2. CLOCK Output Voltage Amplitude ( $V_{OUTPP}$ ) / RMS Jitter vs. Input Frequency ( $f_{in}$ ) at Ambient Temperature (typical)**



**Figure 3. Input Structure**

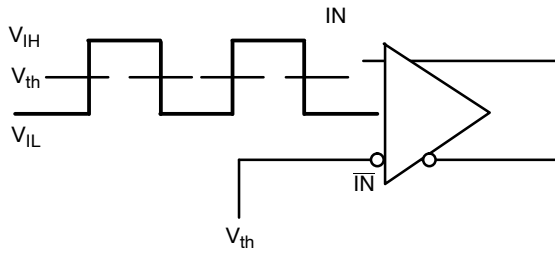


Figure 4. Differential Input Driven Single-Ended

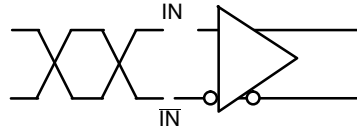


Figure 5. Differential Inputs Driven Differentially

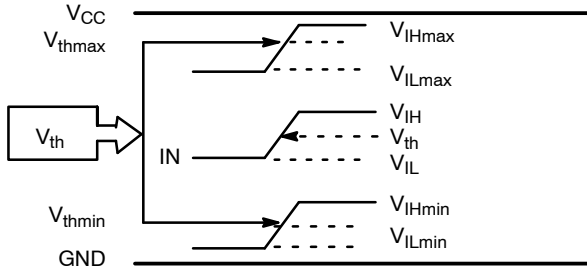


Figure 6.  $V_{th}$  Diagram

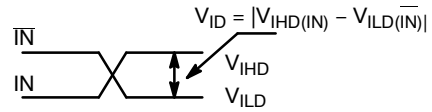


Figure 7. Differential Inputs Driven Differentially

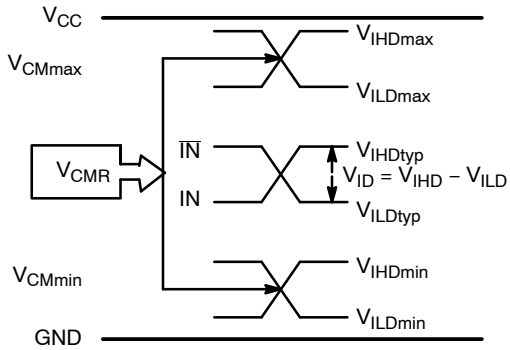


Figure 8.  $V_{CMR}$  Diagram

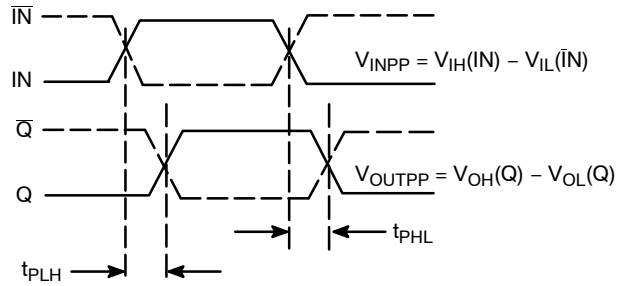


Figure 9. AC Reference Measurement

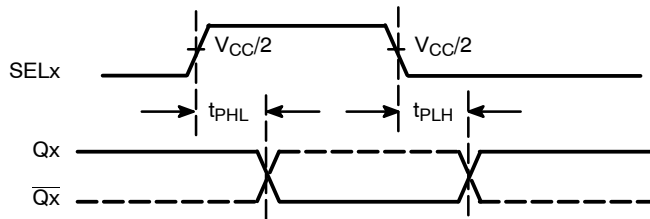
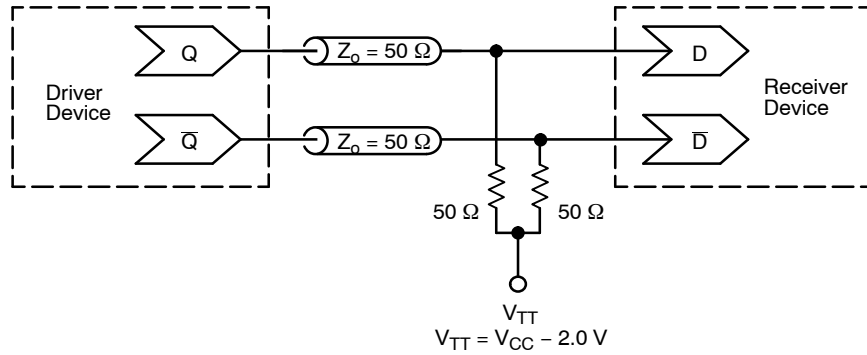
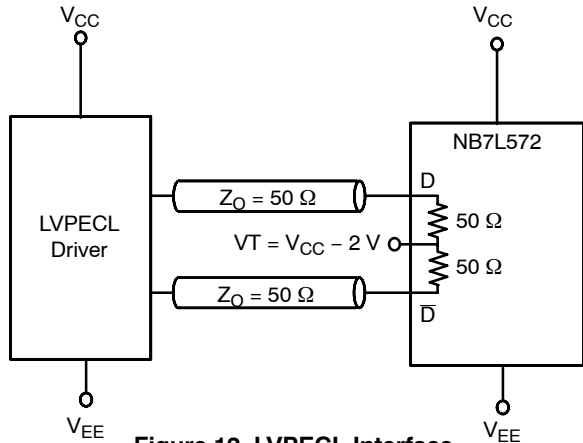


Figure 10. SELx to Qx Timing Diagram

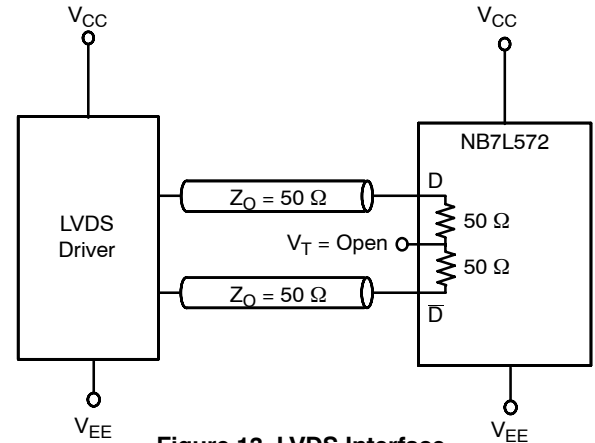
# NB7L572



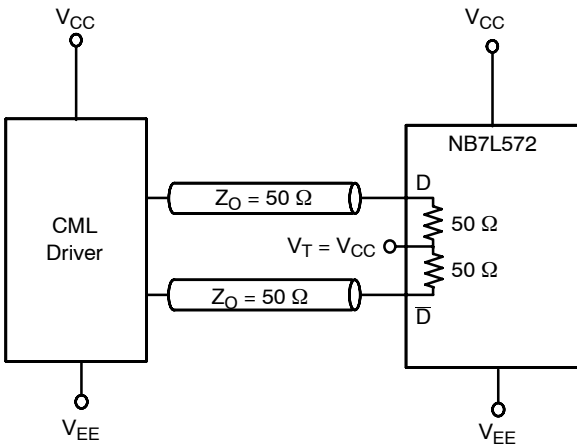
**Figure 11. Typical Termination for Output Driver and Device Evaluation**  
(See Application Note AND8020/D – Termination of ECL Logic Devices.)



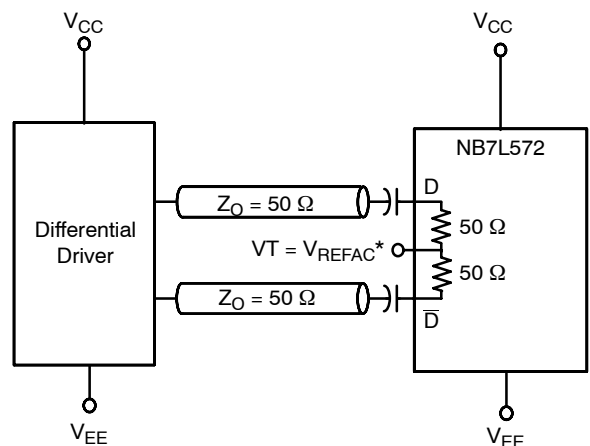
**Figure 12. LVPECL Interface**



**Figure 13. LVDS Interface**



**Figure 14. Standard 50  $\Omega$  Load CML Interface**



**Figure 15. Capacitor-Coupled Differential Interface**  
(VT Connected to VREFAC)

\*VREFAC bypassed to ground with a 0.01  $\mu$ F capacitor

## ORDERING INFORMATION

Device	Package	Shipping†
NB7L572MNG	QFN32 (Pb-Free)	79 Units / Rail
NB7L572MNR4G	QFN32 (Pb-Free)	1000 / Tape & Reel

†For information on tape and reel specifications, including part orientation and tape sizes, please refer to our Tape and Reel Packaging Specifications Brochure, BRD8011/D.





Компания «Океан Электроники» предлагает заключение долгосрочных отношений при поставках импортных электронных компонентов на взаимовыгодных условиях!

Наши преимущества:

- Поставка оригинальных импортных электронных компонентов напрямую с производств Америки, Европы и Азии, а так же с крупнейших складов мира;
- Широкая линейка поставок активных и пассивных импортных электронных компонентов (более 30 млн. наименований);
- Поставка сложных, дефицитных, либо снятых с производства позиций;
- Оперативные сроки поставки под заказ (от 5 рабочих дней);
- Экспресс доставка в любую точку России;
- Помощь Конструкторского Отдела и консультации квалифицированных инженеров;
- Техническая поддержка проекта, помощь в подборе аналогов, поставка прототипов;
- Поставка электронных компонентов под контролем ВП;
- Система менеджмента качества сертифицирована по Международному стандарту ISO 9001;
- При необходимости вся продукция военного и аэрокосмического назначения проходит испытания и сертификацию в лаборатории (по согласованию с заказчиком);
- Поставка специализированных компонентов военного и аэрокосмического уровня качества (Xilinx, Altera, Analog Devices, Intersil, Interpoint, Microsemi, Actel, Aeroflex, Peregrine, VPT, Syfer, Eurofarad, Texas Instruments, MS Kennedy, Miteq, Cobham, E2V, MA-COM, Hittite, Mini-Circuits, General Dynamics и др.);

Компания «Океан Электроники» является официальным дистрибьютором и эксклюзивным представителем в России одного из крупнейших производителей разъемов военного и аэрокосмического назначения «JONHON», а так же официальным дистрибьютором и эксклюзивным представителем в России производителя высокотехнологичных и надежных решений для передачи СВЧ сигналов «FORSTAR».



## JONHON

«JONHON» (основан в 1970 г.)

Разъемы специального, военного и аэрокосмического назначения:

(Применяются в военной, авиационной, аэрокосмической, морской, железнодорожной, горно- и нефтедобывающей отраслях промышленности)

«FORSTAR» (основан в 1998 г.)

ВЧ соединители, коаксиальные кабели, кабельные сборки и микроволновые компоненты:

(Применяются в телекоммуникациях гражданского и специального назначения, в средствах связи, РЛС, а так же военной, авиационной и аэрокосмической отраслях промышленности).



Телефон: 8 (812) 309-75-97 (многоканальный)

Факс: 8 (812) 320-03-32

Электронная почта: [ocean@oceanchips.ru](mailto:ocean@oceanchips.ru)

Web: <http://oceanchips.ru/>

Адрес: 198099, г. Санкт-Петербург, ул. Калинина, д. 2, корп. 4, лит. А