

## WIDE BAND SPDT SWITCH

### DESCRIPTION

The  $\mu$ PD5713TK is a CMOS MMIC for wide band SPDT (Single Pole Double Throw) switch which were developed for mobile communications, wireless communications and another general-purpose RF switching application.

This device can operate frequency from 0.05 to 2.5 GHz, having the low insertion loss and high isolation.

This device is housed in a 6-pin lead-less minimold (1511) package. And this package is able to high-density surface mounting.

### FEATURES

- Supply voltage :  $V_{DD} = 1.8$  to  $3.6$  V (2.8 V TYP.)
- Switch control voltage :  $V_{cont(H)} = 1.8$  to  $3.6$  V (2.8 V TYP.)  
:  $V_{cont(L)} = -0.2$  to  $+0.4$  V (0 V TYP.)
- Low insertion loss :  $L_{ins1} = 0.6$  dB TYP. @  $f = 0.05$  to  $1.0$  GHz,  $V_{DD} = 2.8$  V,  $V_{cont(H)} = 2.8$  V,  $V_{cont(L)} = 0$  V  
:  $L_{ins2} = 0.8$  dB TYP. @  $f = 1.0$  to  $2.0$  GHz,  $V_{DD} = 2.8$  V,  $V_{cont(H)} = 2.8$  V,  $V_{cont(L)} = 0$  V  
:  $L_{ins3} = 0.95$  dB TYP. @  $f = 2.0$  to  $2.5$  GHz,  $V_{DD} = 2.8$  V,  $V_{cont(H)} = 2.8$  V,  $V_{cont(L)} = 0$  V
- High isolation :  $ISL1 = 32.5$  dB TYP. @  $f = 0.05$  to  $1.0$  GHz,  $V_{DD} = 2.8$  V,  $V_{cont(H)} = 2.8$  V,  $V_{cont(L)} = 0$  V  
:  $ISL2 = 25$  dB TYP. @  $f = 1.0$  to  $2.0$  GHz,  $V_{DD} = 2.8$  V,  $V_{cont(H)} = 2.8$  V,  $V_{cont(L)} = 0$  V  
:  $ISL3 = 22.5$  dB TYP. @  $f = 2.0$  to  $2.5$  GHz,  $V_{DD} = 2.8$  V,  $V_{cont(H)} = 2.8$  V,  $V_{cont(L)} = 0$  V
- Handling power :  $P_{in(1dB)} = +21.0$  dBm TYP. @  $f = 1.0$  GHz,  $V_{DD} = 2.8$  V,  $V_{cont(H)} = 2.8$  V,  $V_{cont(L)} = 0$  V  
:  $P_{in(0.1dB)} = +17.0$  dBm TYP. @  $f = 1.0$  GHz,  $V_{DD} = 2.8$  V,  $V_{cont(H)} = 2.8$  V,  $V_{cont(L)} = 0$  V
- High-density surface mounting : 6-pin lead-less minimold package ( $1.5 \times 1.1 \times 0.55$  mm)

### APPLICATIONS

- Mobile communications
- Wireless communications
- Another general-purpose RF switching applications

### ORDERING INFORMATION

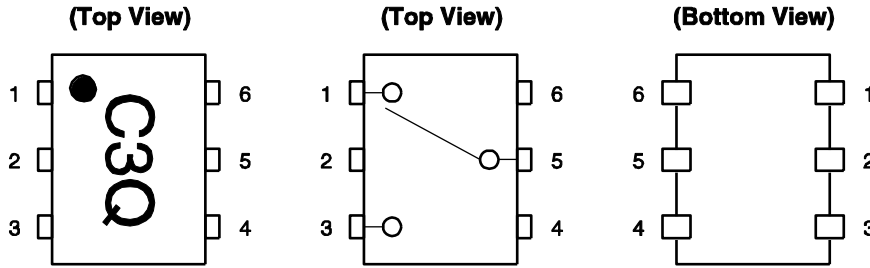
Part Number	Order Number	Package	Marking	Supplying Form
$\mu$ PD5713TK-E2	$\mu$ PD5713TK-E2-A	6-pin lead-less minimold (1511) (Pb-Free)	C3Q	<ul style="list-style-type: none"> <li>• Embossed tape 8 mm wide</li> <li>• Pin 1, 6 face the perforation side of the tape</li> <li>• Qty 5 kpcs/reel</li> </ul>

**Remark** To order evaluation samples, contact your nearby sales office.  
Part number for sample order:  $\mu$ PD5713TK-A

**Caution: Observe precautions when handling because these devices are sensitive to electrostatic discharge**

The information in this document is subject to change without notice. Before using this document, please confirm that this is the latest version.

**PIN CONNECTIONS AND INTERNAL BLOCK DIAGRAM**



Pin No.	Pin Name
1	OUTPUT1
2	GND
3	OUTPUT2
4	V <sub>cont</sub>
5	INPUT
6	V <sub>DD</sub>

**TRUTH TABLE**

V <sub>cont</sub>	INPUT-OUTPUT1	INPUT-OUTPUT2
Low	OFF	ON
High	ON	OFF

**ABSOLUTE MAXIMUM RATINGS (T<sub>A</sub> = +25°C, unless otherwise specified)**

Parameter	Symbol	Ratings	Unit
Supply Voltage	V <sub>DD</sub>	-0.5 to +4.6	V
Switch Control Voltage	V <sub>cont</sub>	-0.5 to +4.6	V
Voltage Difference	V <sub>cont (H)</sub> - V <sub>DD</sub>	+0.5	V
Input Power	P <sub>in</sub>	+23	dBm
Operating Ambient Temperature	T <sub>A</sub>	-45 to +85	°C
Storage Temperature	T <sub>stg</sub>	-55 to +150	°C

**RECOMMENDED OPERATING RANGE (T<sub>A</sub> = +25°C, unless otherwise specified)**

Parameter	Symbol	MIN.	TYP.	MAX.	Unit
Supply Voltage	V <sub>DD</sub>	+1.8	+2.8	+3.6	V
Switch Control Voltage (H)	V <sub>cont (H)</sub>	+1.8	+2.8	+3.6	V
Switch Control Voltage (L)	V <sub>cont (L)</sub>	-0.2	0	+0.4	V

**Remark** V<sub>DD</sub> - 0.4 V ≤ V<sub>cont (H)</sub> ≤ V<sub>DD</sub> + 0.2 V

**ELECTRICAL CHARACTERISTICS**

( $T_A = +25^\circ\text{C}$ ,  $V_{DD} = 2.8\text{ V}$ ,  $V_{\text{cont (H)}} = 2.8\text{ V}$ ,  $V_{\text{cont (L)}} = 0\text{ V}$ , DC cut capacitors = 1 000 pF, unless otherwise specified)

Parameter	Symbol	Test Conditions	MIN.	TYP.	MAX.	Unit
Insertion Loss 1	$L_{\text{ins1}}$	$f = 0.05\text{ to }1.0\text{ GHz}$	–	0.6	0.8	dB
Insertion Loss 2	$L_{\text{ins2}}$	$f = 1.0\text{ to }2.0\text{ GHz}$	–	0.8	1.0	dB
Insertion Loss 3	$L_{\text{ins3}}$	$f = 2.0\text{ to }2.5\text{ GHz}$	–	0.95	1.2	dB
Isolation 1	$ISL1$	$f = 0.05\text{ to }1.0\text{ GHz}$	30	32.5	–	dB
Isolation 2	$ISL2$	$f = 1.0\text{ to }2.0\text{ GHz}$	22	25	–	dB
Isolation 3	$ISL3$	$f = 2.0\text{ to }2.5\text{ GHz}$	20	22.5	–	dB
Input Return Loss	$RL_{\text{in}}$	$f = 0.05\text{ to }2.5\text{ GHz}$	13	17	–	dB
Output Return Loss	$RL_{\text{out}}$	$f = 0.05\text{ to }2.5\text{ GHz}$	13	17	–	dB
0.1 dB Loss Compression Input Power <sup>Note 1</sup>	$P_{\text{in (0.1 dB)}}$	$f = 1.0\text{ GHz}$	+13.0	+17.0	–	dBm
1 dB Loss Compression Input Power <sup>Note 2</sup>	$P_{\text{in (1 dB)}}$	$f = 1.0\text{ GHz}$	–	+21.0	–	dBm
Supply Current	$I_{DD}$	$V_{DD} = V_{\text{cont}} = 2.8\text{ V}$ , RF off	–	0.01	1.0	μA
Switch Control Current	$I_{\text{cont}}$	$V_{DD} = V_{\text{cont}} = 2.8\text{ V}$ , RF off	–	0.01	1.0	μA
Switch Control Speed	$t_{\text{sw}}$	$f = 1.0\text{ GHz}$	–	30	100	ns

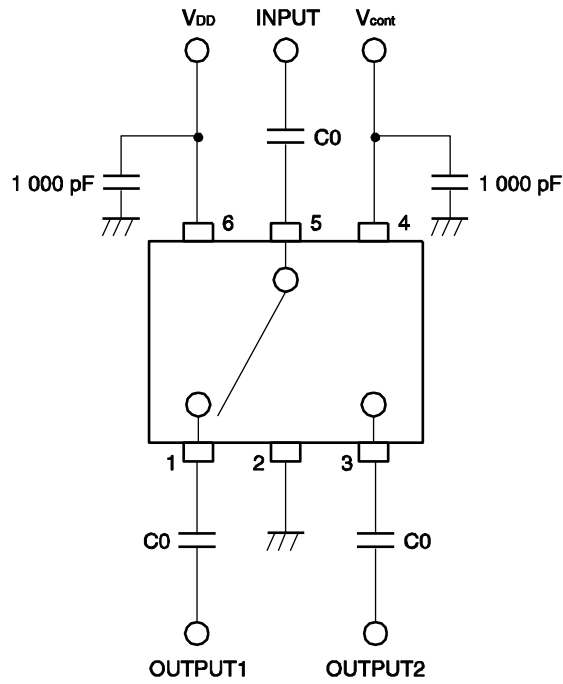
**Notes 1.**  $P_{\text{in (0.1 dB)}}$  is measured the input power level when the insertion loss increases more 0.1 dB than that of linear range.

**2.**  $P_{\text{in (1 dB)}}$  is measured the input power level when the insertion loss increases more 1 dB than that of linear range.

**Caution** This device is used it is necessary to use DC cut capacitors.

The value of DC cut capacitors should be chosen to accommodate the frequency of operation, bandwidth, switching speed and the condition with actual board of your system.

EVALUATION CIRCUIT

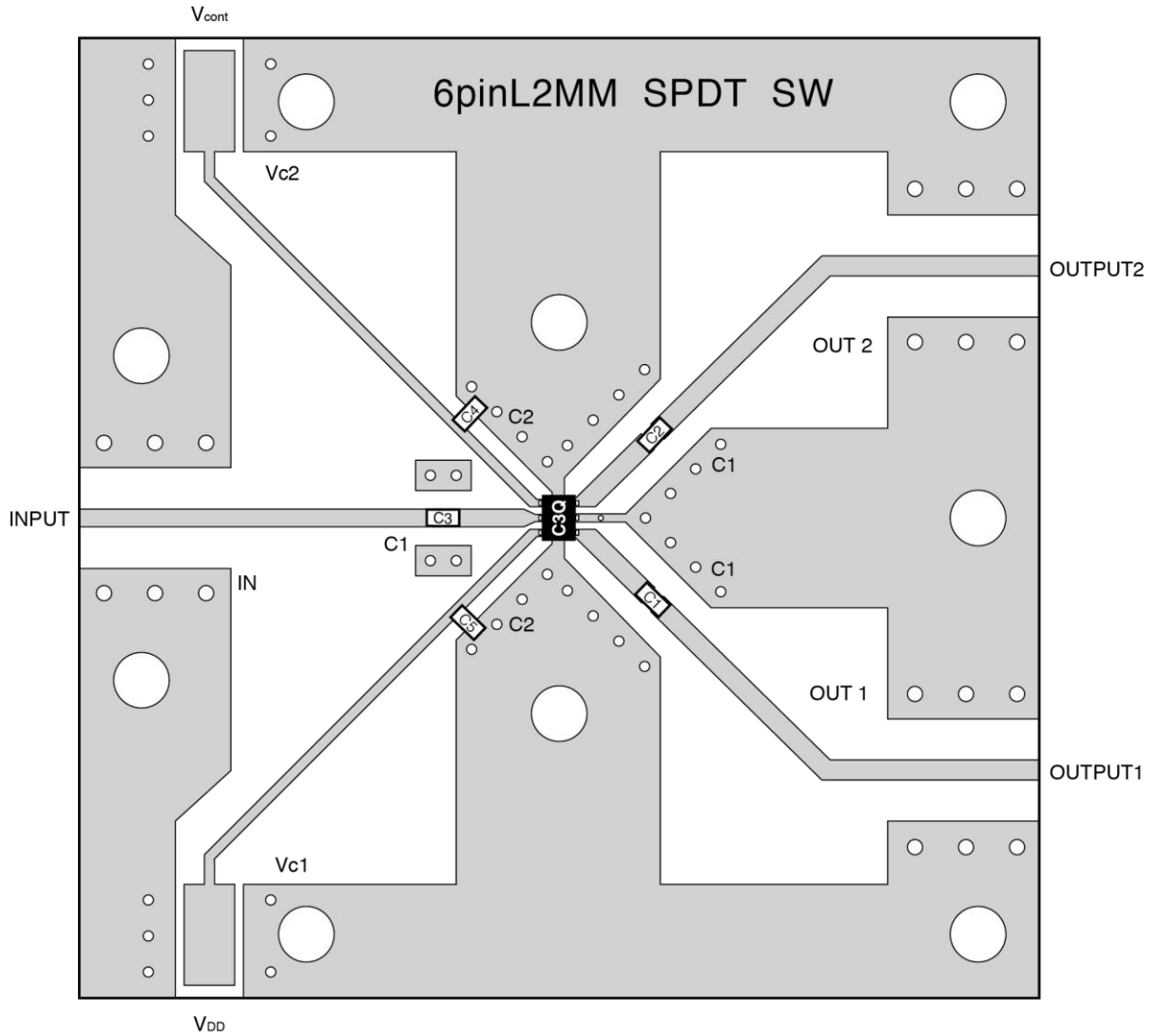


**Remark**  $C_0 = 1\ 000\ \text{pF}$

**Caution** This IC has pull down resistance between RF line and GND, witch fixes electric potential of RF line to 0 V, then the IC cannot be used for DC switching.

The application circuits and their parameters are for reference only and are not intended for use in actual design-ins.

**ILLUSTRATION OF THE TEST CIRCUIT ASSEMBLED ON EVALUATION BOARD**



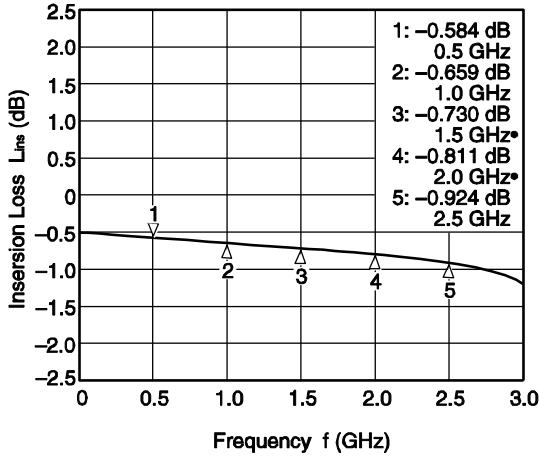
**USING THE EVALUATION BOARD**

Symbol	Values
C1, C2, C3	1 000 pF
C4, C5	1 000 pF

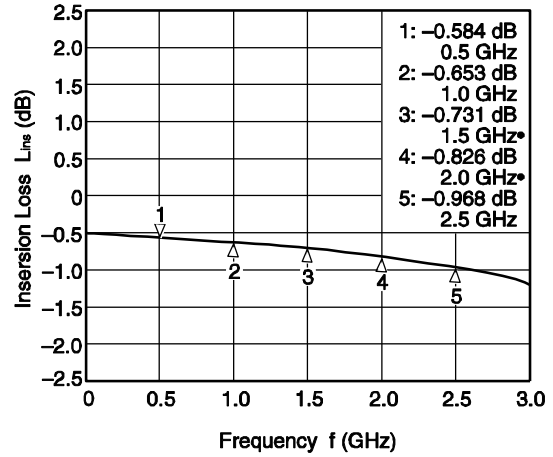
**TYPICAL CHARACTERISTICS**

( $T_A = +25^\circ\text{C}$ ,  $V_{DD} = 2.8\text{ V}$ ,  $V_{\text{cont (H)}} = 2.8\text{ V}$ ,  $V_{\text{cont (L)}} = 0\text{ V}$ ,  $P_{\text{in}} = 0\text{ dBm}$ , DC cut capacitors = 1 000 pF, unless otherwise specified)

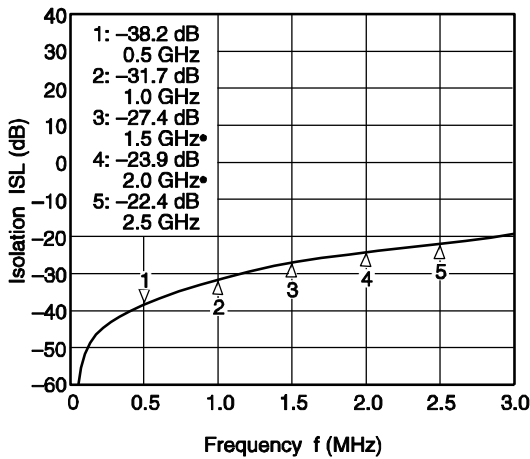
**INPUT-OUTPUT1 •  
INSERTION LOSS vs. FREQUENCY**



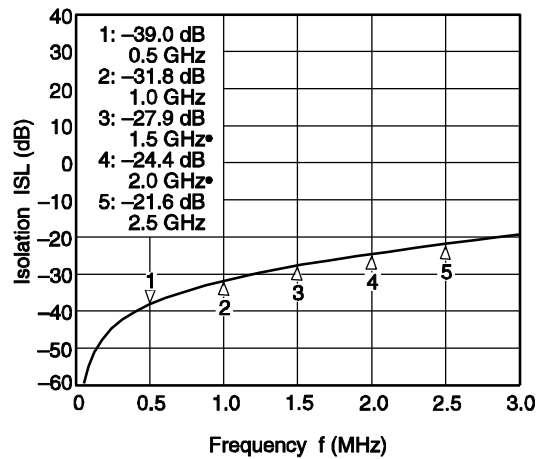
**INPUT-OUTPUT2 •  
INSERTION LOSS vs. FREQUENCY**



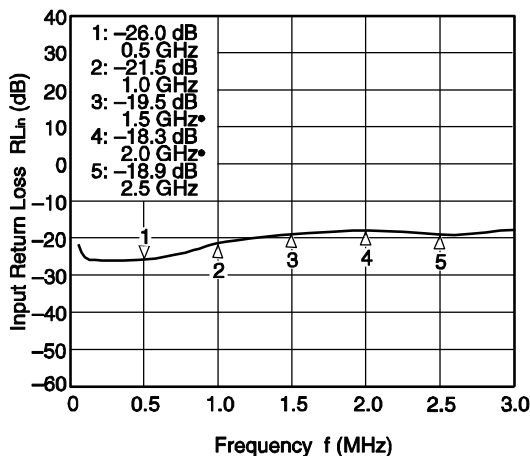
**INPUT-OUTPUT1 •  
ISOLATION vs. FREQUENCY**



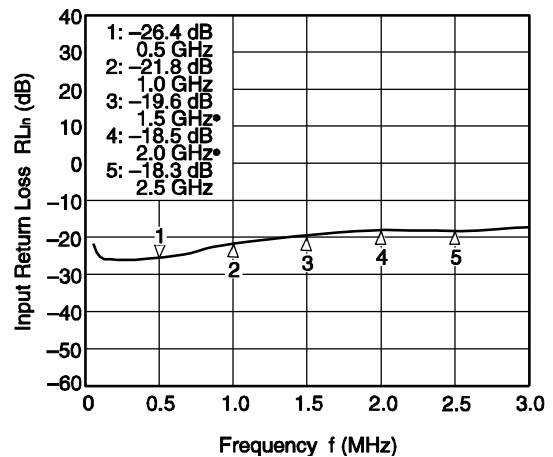
**INPUT-OUTPUT2 •  
ISOLATION vs. FREQUENCY**



**INPUT-OUTPUT1 •  
INPUT RETURN LOSS vs. FREQUENCY**

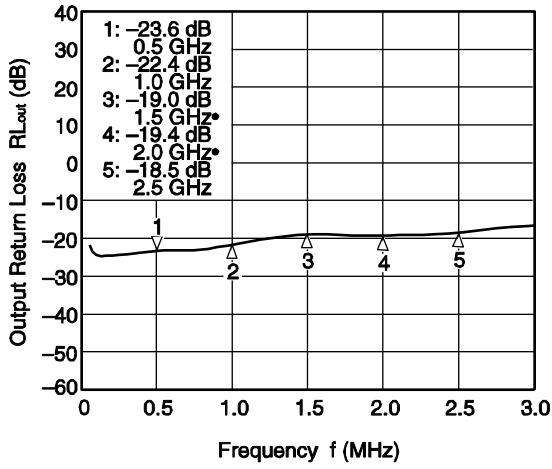


**INPUT-OUTPUT2 •  
INPUT RETURN LOSS vs. FREQUENCY**

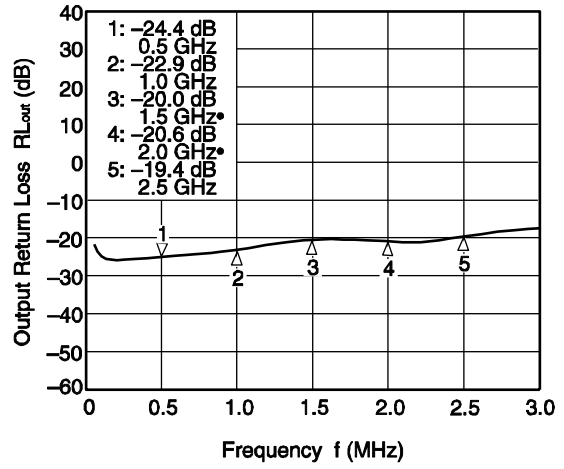


**Remark** The graphs indicate nominal characteristics.

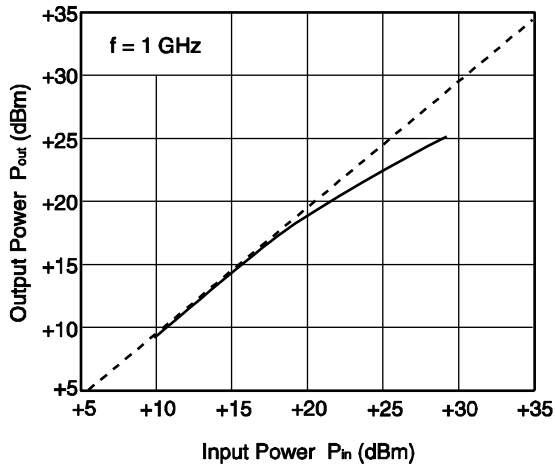
INPUT-OUTPUT1 •  
OUTPUT RETURN LOSS vs. FREQUENCY



INPUT-OUTPUT2 •  
OUTPUT RETURN LOSS vs. FREQUENCY



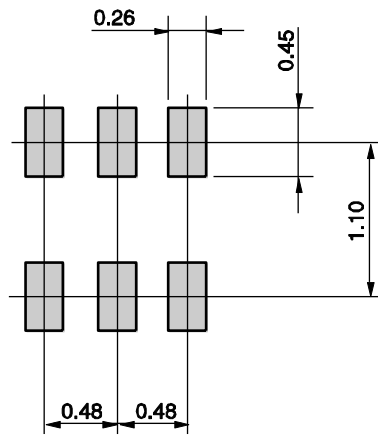
OUTPUT POWER vs. INPUT POWER



**Remark** The graphs indicate nominal characteristics.

**MOUNTING PAD DIMENSIONS**

**6-PIN LEAD-LESS MINIMOLD (1511) (UNIT: mm)**

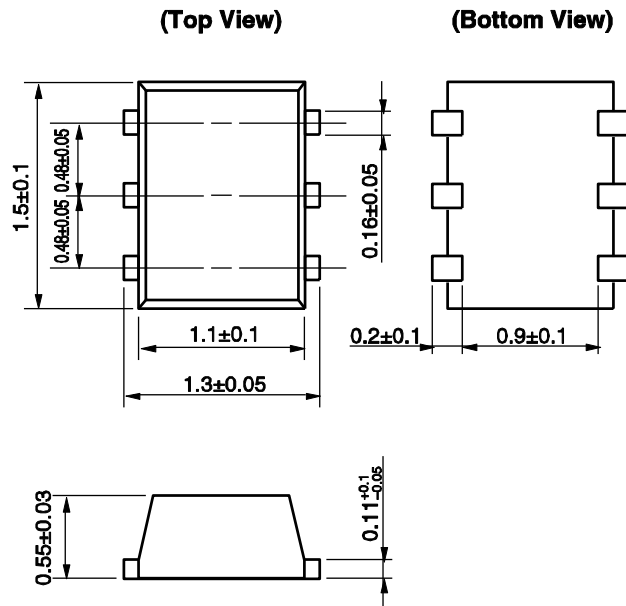


**Remark** The mounting pad layouts in this document are for reference only.



PACKAGE DIMENSIONS

6-PIN LEAD-LESS MINIMOLD (1511) (UNIT: mm)



**RECOMMENDED SOLDERING CONDITIONS**

This product should be soldered and mounted under the following recommended conditions. For soldering methods and conditions other than those recommended below, contact your nearby sales office.

Soldering Method	Soldering Conditions	Condition Symbol
Infrared Reflow	Peak temperature (package surface temperature) : 260°C or below Time at peak temperature : 10 seconds or less Time at temperature of 220°C or higher : 60 seconds or less Preheating time at 120 to 180°C : 120±30 seconds Maximum number of reflow processes : 3 times Maximum chlorine content of rosin flux (% mass) : 0.2%(Wt.) or below	IR260
Wave Soldering	Peak temperature (molten solder temperature) : 260°C or below Time at peak temperature : 10 seconds or less Preheating temperature (package surface temperature) : 120°C or below Maximum number of flow processes : 1 time Maximum chlorine content of rosin flux (% mass) : 0.2%(Wt.) or below	WS260
Partial Heating	Peak temperature (terminal temperature) : 350°C or below Soldering time (per side of device) : 3 seconds or less Maximum chlorine content of rosin flux (% mass) : 0.2%(Wt.) or below	HS350

**Caution Do not use different soldering methods together (except for partial heating).**

Компания «Океан Электроники» предлагает заключение долгосрочных отношений при поставках импортных электронных компонентов на взаимовыгодных условиях!

Наши преимущества:

- Поставка оригинальных импортных электронных компонентов напрямую с производств Америки, Европы и Азии, а так же с крупнейших складов мира;
- Широкая линейка поставок активных и пассивных импортных электронных компонентов (более 30 млн. наименований);
- Поставка сложных, дефицитных, либо снятых с производства позиций;
- Оперативные сроки поставки под заказ (от 5 рабочих дней);
- Экспресс доставка в любую точку России;
- Помощь Конструкторского Отдела и консультации квалифицированных инженеров;
- Техническая поддержка проекта, помощь в подборе аналогов, поставка прототипов;
- Поставка электронных компонентов под контролем ВП;
- Система менеджмента качества сертифицирована по Международному стандарту ISO 9001;
- При необходимости вся продукция военного и аэрокосмического назначения проходит испытания и сертификацию в лаборатории (по согласованию с заказчиком);
- Поставка специализированных компонентов военного и аэрокосмического уровня качества (Xilinx, Altera, Analog Devices, Intersil, Interpoint, Microsemi, Actel, Aeroflex, Peregrine, VPT, Syfer, Eurofarad, Texas Instruments, MS Kennedy, Miteq, Cobham, E2V, MA-COM, Hittite, Mini-Circuits, General Dynamics и др.);

Компания «Океан Электроники» является официальным дистрибьютором и эксклюзивным представителем в России одного из крупнейших производителей разъемов военного и аэрокосмического назначения «JONHON», а так же официальным дистрибьютором и эксклюзивным представителем в России производителя высокотехнологичных и надежных решений для передачи СВЧ сигналов «FORSTAR».



## JONHON

«JONHON» (основан в 1970 г.)

Разъемы специального, военного и аэрокосмического назначения:

(Применяются в военной, авиационной, аэрокосмической, морской, железнодорожной, горно- и нефтедобывающей отраслях промышленности)

«FORSTAR» (основан в 1998 г.)

ВЧ соединители, коаксиальные кабели, кабельные сборки и микроволновые компоненты:

(Применяются в телекоммуникациях гражданского и специального назначения, в средствах связи, РЛС, а так же военной, авиационной и аэрокосмической отраслях промышленности).



Телефон: 8 (812) 309-75-97 (многоканальный)

Факс: 8 (812) 320-03-32

Электронная почта: [ocean@oceanchips.ru](mailto:ocean@oceanchips.ru)

Web: <http://oceanchips.ru/>

Адрес: 198099, г. Санкт-Петербург, ул. Калинина, д. 2, корп. 4, лит. А