

NTS0102

Dual supply translating transceiver; open drain; auto direction sensing

Rev. 4 — 23 January 2013

Product data sheet

1. General description

The NTS0102 is a 2-bit, dual supply translating transceiver with auto direction sensing, that enables bidirectional voltage level translation. It features two 2-bit input-output ports (An and Bn), one output enable input (OE) and two supply pins ($V_{CC(A)}$ and $V_{CC(B)}$). $V_{CC(A)}$ can be supplied at any voltage between 1.65 V and 3.6 V and $V_{CC(B)}$ can be supplied at any voltage between 2.3 V and 5.5 V, making the device suitable for translating between any of the voltage nodes (1.8 V, 2.5 V, 3.3 V and 5.0 V). Pins An and OE are referenced to $V_{CC(A)}$ and pins Bn are referenced to $V_{CC(B)}$. A LOW level at pin OE causes the outputs to assume a high-impedance OFF-state. This device is fully specified for partial power-down applications using I_{OFF} . The I_{OFF} circuitry disables the output, preventing the damaging backflow current through the device when it is powered down.

2. Features and benefits

- Wide supply voltage range:
 - ◆ $V_{CC(A)}$: 1.65 V to 3.6 V and $V_{CC(B)}$: 2.3 V to 5.5 V
- Maximum data rates:
 - ◆ Push-pull: 50 Mbps
- I_{OFF} circuitry provides partial Power-down mode operation
- Inputs accept voltages up to 5.5 V
- ESD protection:
 - ◆ HBM JESD22-A114E Class 2 exceeds 2500 V for A port
 - ◆ HBM JESD22-A114E Class 3B exceeds 8000 V for B port
 - ◆ MM JESD22-A115-A exceeds 200 V
 - ◆ CDM JESD22-C101E exceeds 1500 V
- Latch-up performance exceeds 100 mA per JESD 78B Class II
- Multiple package options
- Specified from $-40\text{ }^{\circ}\text{C}$ to $+85\text{ }^{\circ}\text{C}$ and $-40\text{ }^{\circ}\text{C}$ to $+125\text{ }^{\circ}\text{C}$

3. Applications

- I²C/SMBus
- UART
- GPIO



4. Ordering information

Table 1. Ordering information

| Type number | Package | | | |
|-------------|-------------------|--------|--|-----------|
| | Temperature range | Name | Description | Version |
| NTS0102DP | -40 °C to +125 °C | TSSOP8 | plastic thin shrink small outline package; 8 leads; body width 3 mm; lead length 0.5 mm | SOT505-2 |
| NTS0102GT | -40 °C to +125 °C | XSON8 | plastic extremely thin small outline package; no leads; 8 terminals; body 1 × 1.95 × 0.5 mm | SOT833-1 |
| NTS0102GD | -40 °C to +125 °C | XSON8 | plastic extremely thin small outline package; no leads; 8 terminals; body 3 × 2 × 0.5 mm | SOT996-2 |
| NTS0102GF | -40 °C to +125 °C | XSON8 | extremely thin small outline package; no leads; 8 terminals; body 1.35 × 1 × 0.5 mm | SOT1089 |
| NTS0102GU | -40 °C to +125 °C | XQFN10 | plastic, extremely thin quad flat package; no leads; 10 terminals; body 1.40 × 1.80 × 0.50 mm | SOT1160-1 |
| NTS0102GU8 | -40 °C to +125 °C | XQFN8 | XQFN8: plastic, extremely thin quad flat package; no leads; 8 terminals; body 1.4 × 1.2 × 0.5 mm | SOT1309-1 |

5. Marking

Table 2. Marking

| Type number | Marking code |
|-------------|--------------|
| NTS0102DP | s02 |
| NTS0102GT | s02 |
| NTS0102GD | s02 |
| NTS0102GF | s2 |
| NTS0102GU | s2 |
| NTS0102GU8 | s2 |

6. Functional diagram

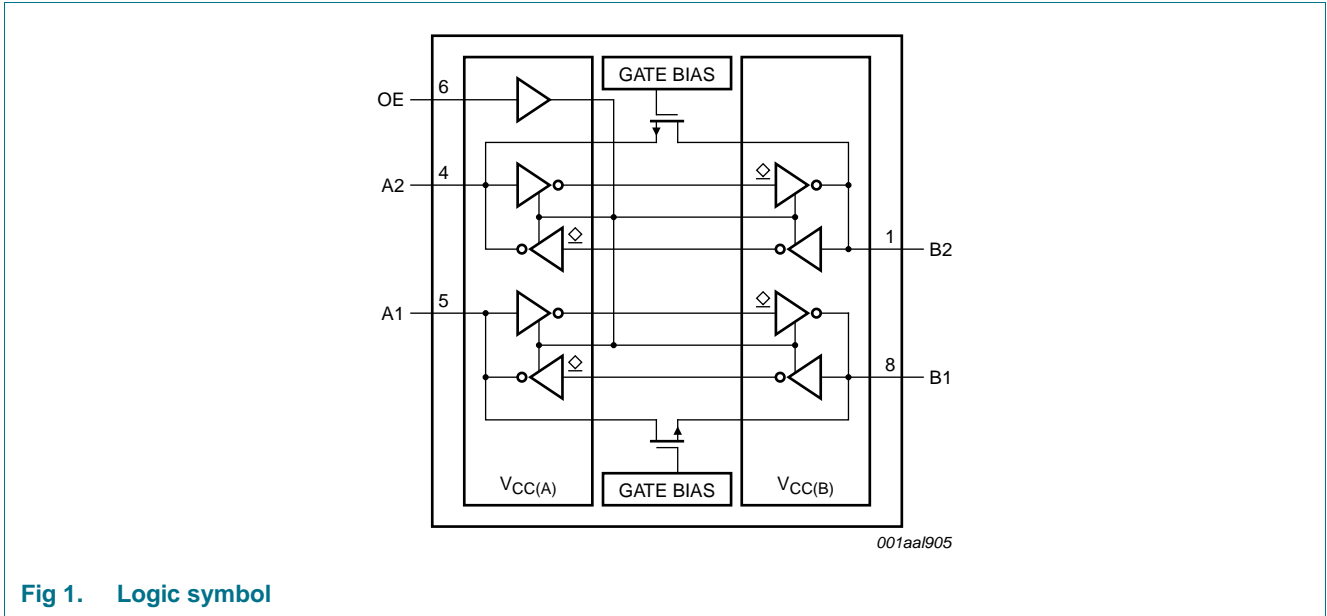


Fig 1. Logic symbol

7. Pinning information

7.1 Pinning

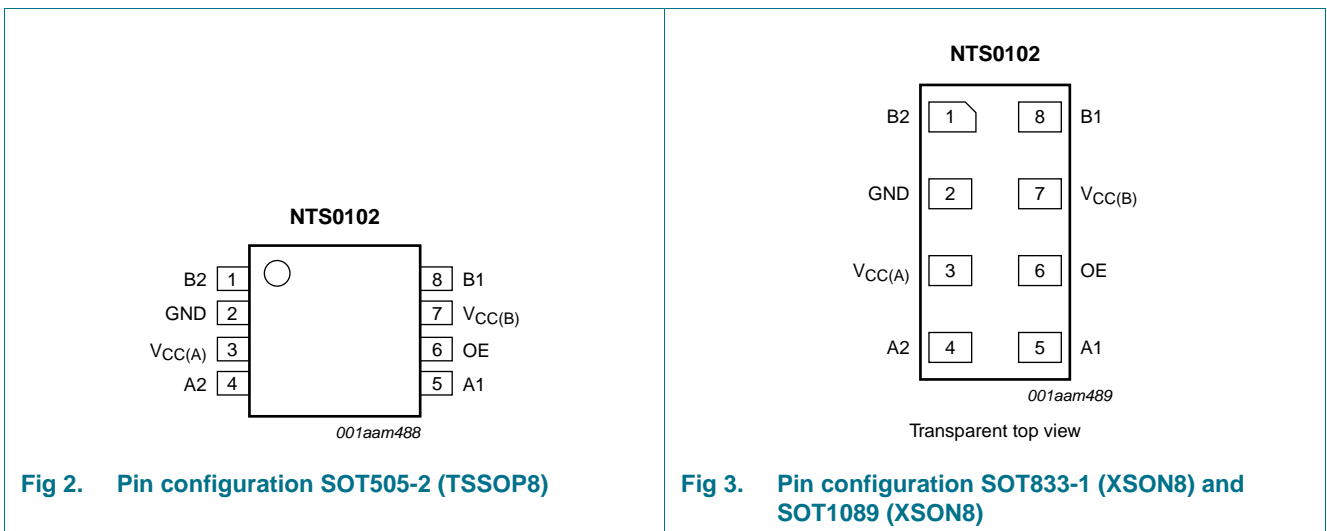
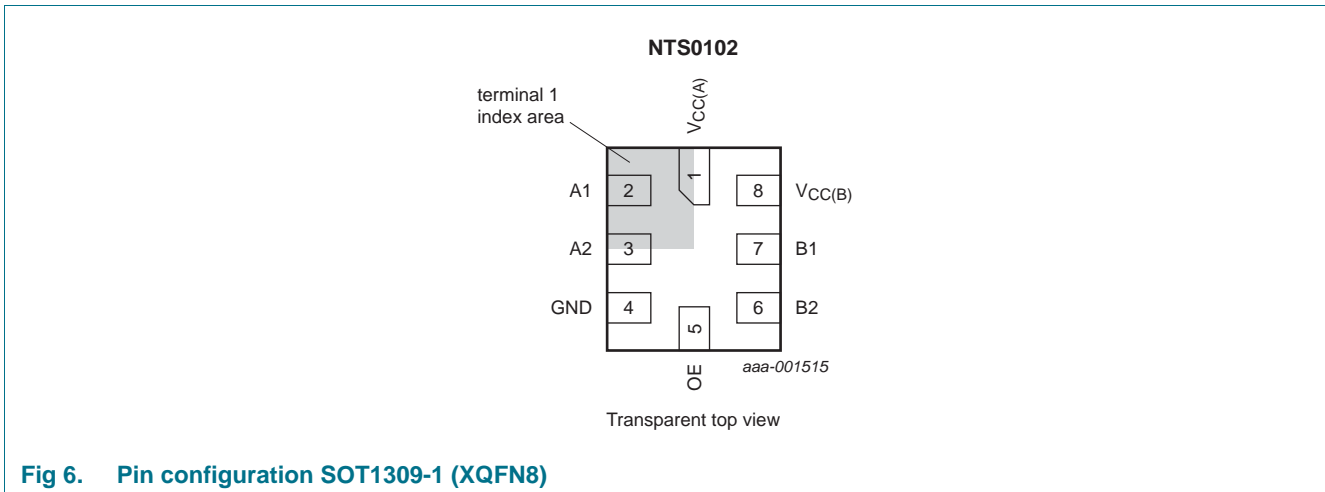
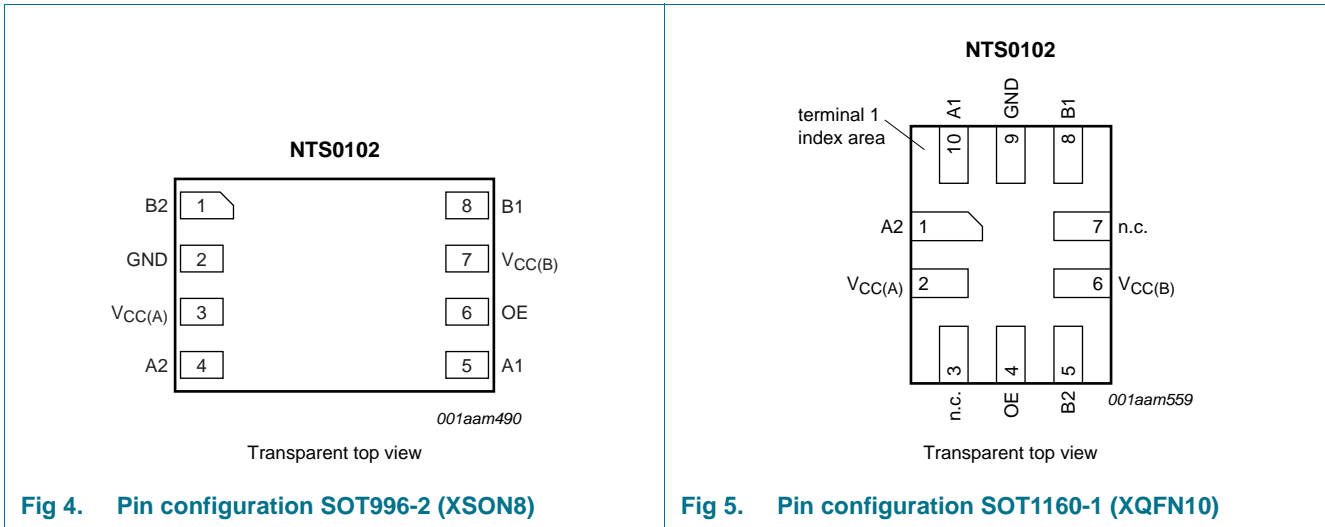


Fig 2. Pin configuration SOT505-2 (TSSOP8)

Fig 3. Pin configuration SOT833-1 (XSON8) and SOT1089 (XSON8)



7.2 Pin description

Table 3. Pin description

| Symbol | Pin | | | Description |
|-------------|--|-----------|---------|---|
| | SOT505-2, SOT833-1, SOT1089 and SOT996-2 | SOT1160-1 | SOT1309 | |
| B2, B1 | 1, 8 | 5, 8 | 6, 7 | data input or output (referenced to $V_{CC(B)}$) |
| GND | 2 | 9 | 4 | ground (0 V) |
| $V_{CC(A)}$ | 3 | 2 | 1 | supply voltage A |
| A2, A1 | 4, 5 | 1, 10 | 3, 2 | data input or output (referenced to $V_{CC(A)}$) |
| OE | 6 | 4 | 5 | output enable input (active HIGH; referenced to $V_{CC(A)}$) |
| $V_{CC(B)}$ | 7 | 6 | 8 | supply voltage B |
| n.c. | - | 3, 7 | - | not connected |

8. Functional description

Table 4. Function table^[1]

| Supply voltage | | Input | Input/output | |
|-----------------------|--------------------|-------|-----------------|-----------------|
| $V_{CC(A)}$ | $V_{CC(B)}$ | OE | An | Bn |
| 1.65 V to $V_{CC(B)}$ | 2.3 V to 5.5 V | L | Z | Z |
| 1.65 V to $V_{CC(B)}$ | 2.3 V to 5.5 V | H | input or output | output or input |
| GND ^[2] | GND ^[2] | X | Z | Z |

[1] H = HIGH voltage level; L = LOW voltage level; X = don't care; Z = high-impedance OFF-state.

[2] When either $V_{CC(A)}$ or $V_{CC(B)}$ is at GND level, the device goes into power-down mode.

9. Limiting values

Table 5. Limiting values

In accordance with the Absolute Maximum Rating System (IEC 60134). Voltages are referenced to GND (ground = 0 V).

| Symbol | Parameter | Conditions | Min | Max | Unit |
|-------------|-------------------------|----------------------------|------------------------|-----------------|------|
| $V_{CC(A)}$ | supply voltage A | | -0.5 | +6.5 | V |
| $V_{CC(B)}$ | supply voltage B | | -0.5 | +6.5 | V |
| V_I | input voltage | A port and OE input | ^{[1][2]} -0.5 | +6.5 | V |
| | | B port | ^{[1][2]} -0.5 | +6.5 | V |
| V_O | output voltage | Active mode | ^{[1][2]} | | |
| | | A or B port | -0.5 | $V_{CCO} + 0.5$ | V |
| | | Power-down or 3-state mode | ^[1] | | |
| | | A port | -0.5 | +4.6 | V |
| | | B port | -0.5 | +6.5 | V |
| I_{IK} | input clamping current | $V_I < 0$ V | -50 | - | mA |
| I_{OK} | output clamping current | $V_O < 0$ V | -50 | - | mA |
| I_O | output current | $V_O = 0$ V to V_{CCO} | ^[2] - | ±50 | mA |
| I_{CC} | supply current | $I_{CC(A)}$ or $I_{CC(B)}$ | - | 100 | mA |

Table 5. Limiting values ...continued

In accordance with the Absolute Maximum Rating System (IEC 60134). Voltages are referenced to GND (ground = 0 V).

| Symbol | Parameter | Conditions | Min | Max | Unit |
|-----------|-------------------------|---|-------|------|------|
| I_{GND} | ground current | | -100 | - | mA |
| T_{stg} | storage temperature | | -65 | +150 | °C |
| P_{tot} | total power dissipation | $T_{amb} = -40\text{ °C to }+125\text{ °C}$ | [3] - | 250 | mW |

- [1] The minimum input and minimum output voltage ratings may be exceeded if the input and output current ratings are observed.
- [2] V_{CCO} is the supply voltage associated with the output.
- [3] For TSSOP8 package: above 55 °C the value of P_{tot} derates linearly with 2.5 mW/K.
For XSON8 packages: above 118 °C the value of P_{tot} derates linearly with 7.8 mW/K.
For XQFN10 package: above 128 °C the value of P_{tot} derates linearly with 11.5 mW/K.
For XQFN8 package: above 105.5 °C the value of P_{tot} derates linearly with 5.6 mW/K.

10. Recommended operating conditions

Table 6. Recommended operating conditions[1][2]

| Symbol | Parameter | Conditions | Min | Max | Unit |
|---------------------|-------------------------------------|--|------|------|------|
| $V_{CC(A)}$ | supply voltage A | | 1.65 | 3.6 | V |
| $V_{CC(B)}$ | supply voltage B | | 2.3 | 5.5 | V |
| T_{amb} | ambient temperature | | -40 | +125 | °C |
| $\Delta t/\Delta V$ | input transition rise and fall rate | A or B port; push-pull driving | | | |
| | | $V_{CC(A)} = 1.65\text{ V to }3.6\text{ V};$ $V_{CC(B)} = 2.3\text{ V to }5.5\text{ V}$ | - | 10 | ns/V |
| | | OE input | | | |
| | | $V_{CC(A)} = 1.65\text{ V to }3.6\text{ V};$ $V_{CC(B)} = 2.3\text{ V to }5.5\text{ V}$ | - | 10 | ns/V |

- [1] The A and B sides of an unused I/O pair must be held in the same state, both at V_{CCI} or both at GND.
- [2] $V_{CC(A)}$ must be less than or equal to $V_{CC(B)}$.

11. Static characteristics

Table 7. Typical static characteristics

At recommended operating conditions; voltages are referenced to GND (ground = 0 V); $T_{amb} = 25\text{ °C}$.

| Symbol | Parameter | Conditions | Min | Typ | Max | Unit |
|-----------|---------------------------|--|-------|-----|-----|------|
| I_I | input leakage current | OE input; $V_I = 0\text{ V to }3.6\text{ V}; V_{CC(A)} = 1.65\text{ V to }3.6\text{ V};$ $V_{CC(B)} = 2.3\text{ V to }5.5\text{ V}$ | - | - | ±1 | μA |
| I_{OZ} | OFF-state output current | A or B port; $V_O = 0\text{ V or }V_{CCO}; V_{CC(A)} = 1.65\text{ V to }3.6\text{ V};$ $V_{CC(B)} = 2.3\text{ V to }5.5\text{ V}$ | [1] - | - | ±1 | μA |
| I_{OFF} | power-off leakage current | A port; V_I or $V_O = 0\text{ V to }3.6\text{ V};$ $V_{CC(A)} = 0\text{ V}; V_{CC(B)} = 0\text{ V to }5.5\text{ V}$ | - | - | ±1 | μA |
| | | B port; V_I or $V_O = 0\text{ V to }5.5\text{ V};$ $V_{CC(B)} = 0\text{ V}; V_{CC(A)} = 0\text{ V to }3.6\text{ V}$ | - | - | ±1 | μA |
| C_I | input capacitance | OE input; $V_{CC(A)} = 3.3\text{ V}; V_{CC(B)} = 3.3\text{ V}$ | - | 1 | - | pF |

Dual supply translating transceiver; open drain; auto direction sensing

Table 7. Typical static characteristics ...continued

At recommended operating conditions; voltages are referenced to GND (ground = 0 V); $T_{amb} = 25\text{ }^{\circ}\text{C}$.

| Symbol | Parameter | Conditions | Min | Typ | Max | Unit |
|-----------|--------------------------|--|-----|-----|-----|------|
| $C_{I/O}$ | input/output capacitance | A port | - | 5 | - | pF |
| | | B port | - | 8.5 | - | pF |
| | | A or B port; $V_{CC(A)} = 3.3\text{ V}$; $V_{CC(B)} = 3.3\text{ V}$ | - | 11 | - | pF |

[1] V_{CCO} is the supply voltage associated with the output.

Table 8. Typical supply current

At recommended operating conditions; voltages are referenced to GND (ground = 0 V); $T_{amb} = 25\text{ }^{\circ}\text{C}$.

| $V_{CC(A)}$ | $V_{CC(B)}$ | | | | | | Unit |
|-------------|-------------|-------------|-------------|-------------|-------------|-------------|---------------|
| | 2.5 V | | 3.3 V | | 5.0 V | | |
| | $I_{CC(A)}$ | $I_{CC(B)}$ | $I_{CC(A)}$ | $I_{CC(B)}$ | $I_{CC(A)}$ | $I_{CC(B)}$ | |
| 1.8 V | 0.1 | 0.5 | 0.1 | 1.5 | 0.1 | 4.6 | μA |
| 2.5 V | 0.1 | 0.1 | 0.1 | 0.8 | 0.1 | 3.8 | μA |
| 3.3 V | - | - | 0.1 | 0.1 | 0.1 | 2.8 | μA |

Table 9. Static characteristics

At recommended operating conditions; voltages are referenced to GND (ground = 0 V).

| Symbol | Parameter | Conditions | -40 °C to +85 °C | | -40 °C to +125 °C | | Unit | |
|----------|---|---|------------------|-----------------|-------------------|-----------------|------|---|
| | | | Min | Max | Min | Max | | |
| V_{IH} | HIGH-level input voltage | A port | | | | | | |
| | | $V_{CC(A)} = 1.65\text{ V to }1.95\text{ V}$; $V_{CC(B)} = 2.3\text{ V to }5.5\text{ V}$ | [1] | $V_{CCI} - 0.2$ | - | $V_{CCI} - 0.2$ | - | V |
| | | $V_{CC(A)} = 2.3\text{ V to }3.6\text{ V}$; $V_{CC(B)} = 2.3\text{ V to }5.5\text{ V}$ | [1] | $V_{CCI} - 0.4$ | - | $V_{CCI} - 0.4$ | - | V |
| | | B port | | | | | | |
| | | $V_{CC(A)} = 1.65\text{ V to }3.6\text{ V}$; $V_{CC(B)} = 2.3\text{ V to }5.5\text{ V}$ | [1] | $V_{CCI} - 0.4$ | - | $V_{CCI} - 0.4$ | - | V |
| | OE input | | | | | | | |
| | $V_{CC(A)} = 1.65\text{ V to }3.6\text{ V}$; $V_{CC(B)} = 2.3\text{ V to }5.5\text{ V}$ | | $0.65V_{CC(A)}$ | - | $0.65V_{CC(A)}$ | - | V | |
| V_{IL} | LOW-level input voltage | A or B port | | | | | | |
| | | $V_{CC(A)} = 1.65\text{ V to }3.6\text{ V}$; $V_{CC(B)} = 2.3\text{ V to }5.5\text{ V}$ | | - | 0.15 | - | 0.15 | V |
| | | OE input | | | | | | |
| | $V_{CC(A)} = 1.65\text{ V to }3.6\text{ V}$; $V_{CC(B)} = 2.3\text{ V to }5.5\text{ V}$ | | - | $0.35V_{CC(A)}$ | - | $0.35V_{CC(A)}$ | V | |
| V_{OH} | HIGH-level output voltage | $I_O = -20\text{ }\mu\text{A}$ | | | | | | |
| | | $V_{CC(A)} = 1.65\text{ V to }3.6\text{ V}$; $V_{CC(B)} = 2.3\text{ V to }5.5\text{ V}$ | [2] | $0.67V_{CCO}$ | - | $0.67V_{CCO}$ | - | V |
| V_{OL} | LOW-level output voltage | A or B port; $I_O = 1\text{ mA}$ | [2] | | | | | |
| | | $V_I \leq 0.15\text{ V}$; $V_{CC(A)} = 1.65\text{ V to }3.6\text{ V}$; $V_{CC(B)} = 2.3\text{ V to }5.5\text{ V}$ | | - | 0.4 | - | 0.4 | V |

Table 9. Static characteristics ...continued

At recommended operating conditions; voltages are referenced to GND (ground = 0 V).

| Symbol | Parameter | Conditions | -40 °C to +85 °C | | -40 °C to +125 °C | | Unit |
|--|--|---|------------------|-----|-------------------|-----|------|
| | | | Min | Max | Min | Max | |
| I _I | input leakage current | OE input; V _I = 0 V to 3.6 V; V _{CC(A)} = 1.65 V to 3.6 V; V _{CC(B)} = 2.3 V to 5.5 V | - | ±2 | - | ±12 | μA |
| I _{OZ} | OFF-state output current | A or B port; V _O = 0 V or V _{CCO} ; V _{CC(A)} = 1.65 V to 3.6 V; V _{CC(B)} = 2.3 V to 5.5 V | [2] | ±2 | - | ±12 | μA |
| I _{OFF} | power-off leakage current | A port; V _I or V _O = 0 V to 3.6 V; V _{CC(A)} = 0 V; V _{CC(B)} = 0 V to 5.5 V | - | ±2 | - | ±12 | μA |
| | | B port; V _I or V _O = 0 V to 3.6 V; V _{CC(B)} = 0 V; V _{CC(A)} = 0 V to 3.6 V | - | ±2 | - | ±12 | μA |
| I _{CC} | supply current | V _I = 0 V or V _{CCI} ; I _O = 0 A | [1] | | | | |
| | | I _{CC(A)} | | | | | |
| | | V _{CC(A)} = 1.65 V to 3.6 V; V _{CC(B)} = 2.3 V to 5.5 V | - | 2.4 | - | 15 | μA |
| | | V _{CC(A)} = 3.6 V; V _{CC(B)} = 0 V | - | 2.2 | - | 15 | μA |
| | | V _{CC(A)} = 0 V; V _{CC(B)} = 5.5 V | - | -1 | - | -8 | μA |
| | | I _{CC(B)} | | | | | |
| | | V _{CC(A)} = 1.65 V to 3.6 V; V _{CC(B)} = 2.3 V to 5.5 V | - | 12 | - | 30 | μA |
| | | V _{CC(A)} = 3.6 V; V _{CC(B)} = 0 V | - | -1 | - | -5 | μA |
| V _{CC(A)} = 0 V; V _{CC(B)} = 5.5 V | - | 1 | - | 6 | μA | | |
| | I _{CC(A)} + I _{CC(B)} | | | | | | |
| | V _{CC(A)} = 1.65 V to 3.6 V; V _{CC(B)} = 2.3 V to 5.5 V | - | 14.4 | - | 30 | μA | |

[1] V_{CCI} is the supply voltage associated with the input.

[2] V_{CCO} is the supply voltage associated with the output.

12. Dynamic characteristics

Table 10. Dynamic characteristics for temperature range -40 °C to +85 °C[1]

Voltages are referenced to GND (ground = 0 V); for test circuit see Figure 9; for wave forms see Figure 7 and Figure 8.

| Symbol | Parameter | Conditions | V _{CC(B)} | | | | | | Unit |
|---|-------------------------------|------------|--------------------|-----|---------------|-----|---------------|-----|------|
| | | | 2.5 V ± 0.2 V | | 3.3 V ± 0.3 V | | 5.0 V ± 0.5 V | | |
| | | | Min | Max | Min | Max | Min | Max | |
| V_{CC(A)} = 1.8 V ± 0.15 V | | | | | | | | | |
| t _{PHL} | HIGH to LOW propagation delay | A to B | - | 4.6 | - | 4.7 | - | 5.8 | ns |
| t _{PLH} | LOW to HIGH propagation delay | A to B | - | 6.8 | - | 6.8 | - | 7.0 | ns |
| t _{PHL} | HIGH to LOW propagation delay | B to A | - | 4.4 | - | 4.5 | - | 4.7 | ns |
| t _{PLH} | LOW to HIGH propagation delay | B to A | - | 5.3 | - | 4.5 | - | 0.5 | ns |

Table 10. Dynamic characteristics for temperature range –40 °C to +85 °C^[1]

Voltages are referenced to GND (ground = 0 V); for test circuit see [Figure 9](#); for wave forms see [Figure 7](#) and [Figure 8](#).

| Symbol | Parameter | Conditions | V _{CC(B)} | | | | | | Unit |
|--|------------------------------------|---|--------------------|------|---------------|-----|---------------|------|------|
| | | | 2.5 V ± 0.2 V | | 3.3 V ± 0.3 V | | 5.0 V ± 0.5 V | | |
| | | | Min | Max | Min | Max | Min | Max | |
| t _{en} | enable time | OE to A; B | - | 200 | - | 200 | - | 200 | ns |
| t _{dis} | disable time | OE to A; no external load [2] | - | 25 | - | 25 | - | 25 | ns |
| | | OE to B; no external load [2] | - | 25 | - | 25 | - | 25 | ns |
| | | OE to A | - | 230 | - | 230 | - | 230 | ns |
| | | OE to B | - | 200 | - | 200 | - | 200 | ns |
| t _{TLH} | LOW to HIGH output transition time | A port | 3.2 | 9.5 | 2.3 | 9.3 | 1.8 | 7.6 | ns |
| | | B port | 3.3 | 10.8 | 2.7 | 9.1 | 2.7 | 7.6 | ns |
| t _{THL} | HIGH to LOW output transition time | A port | 2.0 | 5.9 | 1.9 | 6.0 | 1.7 | 13.3 | ns |
| | | B port | 2.9 | 7.6 | 2.8 | 7.5 | 2.8 | 10.0 | ns |
| t _{sk(o)} | output skew time | between channels [3] | - | 0.7 | - | 0.7 | - | 0.7 | ns |
| t _W | pulse width | data inputs | 20 | - | 20 | - | 20 | - | ns |
| f _{data} | data rate | | - | 50 | - | 50 | - | 50 | Mbps |
| V_{CC(A)} = 2.5 V ± 0.2 V | | | | | | | | | |
| t _{PHL} | HIGH to LOW propagation delay | A to B | - | 3.2 | - | 3.3 | - | 3.4 | ns |
| t _{PLH} | LOW to HIGH propagation delay | A to B | - | 3.5 | - | 4.1 | - | 4.4 | ns |
| t _{PHL} | HIGH to LOW propagation delay | B to A | - | 3.0 | - | 3.6 | - | 4.3 | ns |
| t _{PLH} | LOW to HIGH propagation delay | B to A | - | 2.5 | - | 1.6 | - | 0.7 | ns |
| t _{en} | enable time | OE to A; B | - | 200 | - | 200 | - | 200 | ns |
| t _{dis} | disable time | OE to A; no external load [2] | - | 20 | - | 20 | - | 20 | ns |
| | | OE to B; no external load [2] | - | 20 | - | 20 | - | 20 | ns |
| | | OE to A | - | 200 | - | 200 | - | 200 | ns |
| | | OE to B | - | 200 | - | 200 | - | 200 | ns |
| t _{TLH} | LOW to HIGH output transition time | A port | 2.8 | 7.4 | 2.6 | 6.6 | 1.8 | 6.2 | ns |
| | | B port | 3.2 | 8.3 | 2.9 | 7.9 | 2.4 | 6.8 | ns |
| t _{THL} | HIGH to LOW output transition time | A port | 1.9 | 5.7 | 1.9 | 5.5 | 1.8 | 5.3 | ns |
| | | B port | 2.2 | 7.8 | 2.4 | 6.7 | 2.6 | 6.6 | ns |
| t _{sk(o)} | output skew time | between channels [3] | - | 0.7 | - | 0.7 | - | 0.7 | ns |
| t _W | pulse width | data inputs | 20 | - | 20 | - | 20 | - | ns |
| f _{data} | data rate | | - | 50 | - | 50 | - | 50 | Mbps |
| V_{CC(A)} = 3.3 V ± 0.3 V | | | | | | | | | |
| t _{PHL} | HIGH to LOW propagation delay | A to B | - | - | - | 2.4 | - | 3.1 | ns |
| t _{PLH} | LOW to HIGH propagation delay | A to B | - | - | - | 4.2 | - | 4.4 | ns |

Dual supply translating transceiver; open drain; auto direction sensing

Table 10. Dynamic characteristics for temperature range $-40\text{ }^{\circ}\text{C}$ to $+85\text{ }^{\circ}\text{C}$ [1]Voltages are referenced to GND (ground = 0 V); for test circuit see [Figure 9](#); for wave forms see [Figure 7](#) and [Figure 8](#).

| Symbol | Parameter | Conditions | $V_{CC(B)}$ | | | | | | Unit |
|-------------|------------------------------------|---|---------------------------------|-----|---------------------------------|-----|---------------------------------|-----|------|
| | | | $2.5\text{ V} \pm 0.2\text{ V}$ | | $3.3\text{ V} \pm 0.3\text{ V}$ | | $5.0\text{ V} \pm 0.5\text{ V}$ | | |
| | | | Min | Max | Min | Max | Min | Max | |
| t_{PHL} | HIGH to LOW propagation delay | B to A | - | - | - | 2.5 | - | 3.3 | ns |
| t_{PLH} | LOW to HIGH propagation delay | B to A | - | - | - | 2.5 | - | 2.6 | ns |
| t_{en} | enable time | OE to A; B | - | - | - | 200 | - | 200 | ns |
| t_{dis} | disable time | OE to A; no external load [2] | - | - | - | 15 | - | 15 | ns |
| | | OE to B; no external load [2] | - | - | - | 15 | - | 15 | ns |
| | | OE to A | - | - | - | 260 | - | 260 | ns |
| | | OE to B | - | - | - | 200 | - | 200 | ns |
| t_{TLH} | LOW to HIGH output transition time | A port | - | - | 2.3 | 5.6 | 1.9 | 5.9 | ns |
| | | B port | - | - | 2.5 | 6.4 | 2.1 | 7.4 | ns |
| t_{THL} | HIGH to LOW output transition time | A port | - | - | 2.0 | 5.4 | 1.9 | 5.0 | ns |
| | | B port | - | - | 2.3 | 7.4 | 2.4 | 7.6 | ns |
| $t_{sk(o)}$ | output skew time | between channels [3] | - | - | - | 0.7 | - | 0.7 | ns |
| t_W | pulse width | data inputs | - | - | 20 | - | 20 | - | ns |
| f_{data} | data rate | | - | - | - | 50 | - | 50 | Mbps |

[1] t_{en} is the same as t_{pZL} and t_{pZH} . t_{dis} is the same as t_{pLZ} and t_{pHZ} .

[2] Delay between OE going LOW and when the outputs are actually disabled.

[3] Skew between any two outputs of the same package switching in the same direction.

Table 11. Dynamic characteristics for temperature range $-40\text{ }^{\circ}\text{C}$ to $+125\text{ }^{\circ}\text{C}$ [1]Voltages are referenced to GND (ground = 0 V); for test circuit see [Figure 9](#); for wave forms see [Figure 7](#) and [Figure 8](#).

| Symbol | Parameter | Conditions | $V_{CC(B)}$ | | | | | | Unit |
|--------|-----------|------------|---------------------------------|-----|---------------------------------|-----|---------------------------------|-----|------|
| | | | $2.5\text{ V} \pm 0.2\text{ V}$ | | $3.3\text{ V} \pm 0.3\text{ V}$ | | $5.0\text{ V} \pm 0.5\text{ V}$ | | |
| | | | Min | Max | Min | Max | Min | Max | |

 $V_{CC(A)} = 1.8\text{ V} \pm 0.15\text{ V}$

| | | | | | | | | | |
|-----------|-------------------------------|------------|---|-----|---|-----|---|-----|----|
| t_{PHL} | HIGH to LOW propagation delay | A to B | - | 5.8 | - | 5.9 | - | 7.3 | ns |
| t_{PLH} | LOW to HIGH propagation delay | A to B | - | 8.5 | - | 8.5 | - | 8.8 | ns |
| t_{PHL} | HIGH to LOW propagation delay | B to A | - | 5.5 | - | 5.7 | - | 5.9 | ns |
| t_{PLH} | LOW to HIGH propagation delay | B to A | - | 6.7 | - | 5.7 | - | 0.7 | ns |
| t_{en} | enable time | OE to A; B | - | 200 | - | 200 | - | 200 | ns |

Table 11. Dynamic characteristics for temperature range $-40\text{ }^{\circ}\text{C}$ to $+125\text{ }^{\circ}\text{C}$ ^[1] ...continued
 Voltages are referenced to GND (ground = 0 V); for test circuit see [Figure 9](#); for wave forms see [Figure 7](#) and [Figure 8](#).

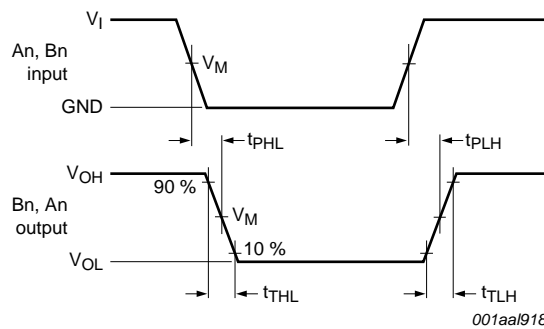
| Symbol | Parameter | Conditions | $V_{CC(B)}$ | | | | | | Unit |
|---|------------------------------------|--|---------------------------------|------|---------------------------------|------|---------------------------------|------|------|
| | | | $2.5\text{ V} \pm 0.2\text{ V}$ | | $3.3\text{ V} \pm 0.3\text{ V}$ | | $5.0\text{ V} \pm 0.5\text{ V}$ | | |
| | | | Min | Max | Min | Max | Min | Max | |
| t_{dis} | disable time | OE to A; no external load ^[2] | - | 30 | - | 30 | - | 30 | ns |
| | | OE to B; no external load ^[2] | - | 30 | - | 30 | - | 30 | ns |
| | | OE to A | - | 250 | - | 250 | - | 250 | ns |
| | | OE to B | - | 220 | - | 220 | - | 220 | ns |
| t_{TLH} | LOW to HIGH output transition time | A port | 3.2 | 11.9 | 2.3 | 11.7 | 1.8 | 9.5 | ns |
| | | B port | 3.3 | 13.5 | 2.7 | 11.4 | 2.7 | 9.5 | ns |
| t_{THL} | HIGH to LOW output transition time | A port | 2.0 | 7.4 | 1.9 | 7.5 | 1.7 | 16.7 | ns |
| | | B port | 2.9 | 9.5 | 2.8 | 9.4 | 2.8 | 12.5 | ns |
| $t_{sk(o)}$ | output skew time | between channels ^[3] | - | 0.8 | - | 0.8 | - | 0.8 | ns |
| t_W | pulse width | data inputs | 20 | - | 20 | - | 20 | - | ns |
| f_{data} | data rate | | - | 50 | - | 50 | - | 50 | Mbps |
| $V_{CC(A)} = 2.5\text{ V} \pm 0.2\text{ V}$ | | | | | | | | | |
| t_{PHL} | HIGH to LOW propagation delay | A to B | - | 4.0 | - | 4.2 | - | 4.3 | ns |
| t_{PLH} | LOW to HIGH propagation delay | A to B | - | 4.4 | - | 5.2 | - | 5.5 | ns |
| t_{PHL} | HIGH to LOW propagation delay | B to A | - | 3.8 | - | 4.5 | - | 5.4 | ns |
| t_{PLH} | LOW to HIGH propagation delay | B to A | - | 3.2 | - | 2.0 | - | 0.9 | ns |
| t_{en} | enable time | OE to A; B | - | 200 | - | 200 | - | 200 | ns |
| t_{dis} | disable time | OE to A; no external load ^[2] | - | 25 | - | 25 | - | 25 | ns |
| | | OE to B; no external load ^[2] | - | 25 | - | 25 | - | 25 | ns |
| | | OE to A | - | 220 | - | 220 | - | 220 | ns |
| | | OE to B | - | 220 | - | 220 | - | 220 | ns |
| t_{TLH} | LOW to HIGH output transition time | A port | 2.8 | 9.3 | 2.6 | 8.3 | 1.8 | 7.8 | ns |
| | | B port | 3.2 | 10.4 | 2.9 | 9.7 | 2.4 | 8.3 | ns |
| t_{THL} | HIGH to LOW output transition time | A port | 1.9 | 7.2 | 1.9 | 6.9 | 1.8 | 6.7 | ns |
| | | B port | 2.2 | 9.8 | 2.4 | 8.4 | 2.6 | 8.3 | ns |
| $t_{sk(o)}$ | output skew time | between channels ^[3] | - | 0.8 | - | 0.8 | - | 0.8 | ns |
| t_W | pulse width | data inputs | 20 | - | 20 | - | 20 | - | ns |
| f_{data} | data rate | | - | 50 | - | 50 | - | 50 | Mbps |
| $V_{CC(A)} = 3.3\text{ V} \pm 0.3\text{ V}$ | | | | | | | | | |
| t_{PHL} | HIGH to LOW propagation delay | A to B | - | - | - | 3.0 | - | 3.9 | ns |
| t_{PLH} | LOW to HIGH propagation delay | A to B | - | - | - | 5.3 | - | 5.5 | ns |

Table 11. Dynamic characteristics for temperature range $-40\text{ }^{\circ}\text{C}$ to $+125\text{ }^{\circ}\text{C}$ ^[1] ...continued
 Voltages are referenced to GND (ground = 0 V); for test circuit see [Figure 9](#); for wave forms see [Figure 7](#) and [Figure 8](#).

| Symbol | Parameter | Conditions | $V_{CC(B)}$ | | | | | | Unit |
|-------------|------------------------------------|--|---------------------------------|-----|---------------------------------|-----|---------------------------------|-----|------|
| | | | $2.5\text{ V} \pm 0.2\text{ V}$ | | $3.3\text{ V} \pm 0.3\text{ V}$ | | $5.0\text{ V} \pm 0.5\text{ V}$ | | |
| | | | Min | Max | Min | Max | Min | Max | |
| t_{PHL} | HIGH to LOW propagation delay | B to A | - | - | - | 3.2 | - | 4.2 | ns |
| t_{PLH} | LOW to HIGH propagation delay | B to A | - | - | - | 3.2 | - | 3.3 | ns |
| t_{en} | enable time | OE to A; B | - | - | - | 200 | - | 200 | ns |
| t_{dis} | disable time | OE to A; no external load ^[2] | - | - | - | 20 | - | 20 | ns |
| | | OE to B; no external load ^[2] | - | - | - | 20 | - | 20 | ns |
| | | OE to A | - | - | - | 280 | - | 280 | ns |
| | | OE to B | - | - | - | 220 | - | 220 | ns |
| t_{TLH} | LOW to HIGH output transition time | A port | - | - | 2.3 | 7.0 | 1.9 | 7.4 | ns |
| | | B port | - | - | 2.5 | 8.0 | 2.1 | 9.3 | ns |
| t_{THL} | HIGH to LOW output transition time | A port | - | - | 2.0 | 6.8 | 1.9 | 6.3 | ns |
| | | B port | - | - | 2.3 | 9.3 | 2.4 | 9.5 | ns |
| $t_{sk(o)}$ | output skew time | between channels ^[3] | - | - | - | 0.8 | - | 0.8 | ns |
| t_W | pulse width | data inputs | - | - | 20 | - | 20 | - | ns |
| f_{data} | data rate | | - | - | - | 50 | - | 50 | Mbps |

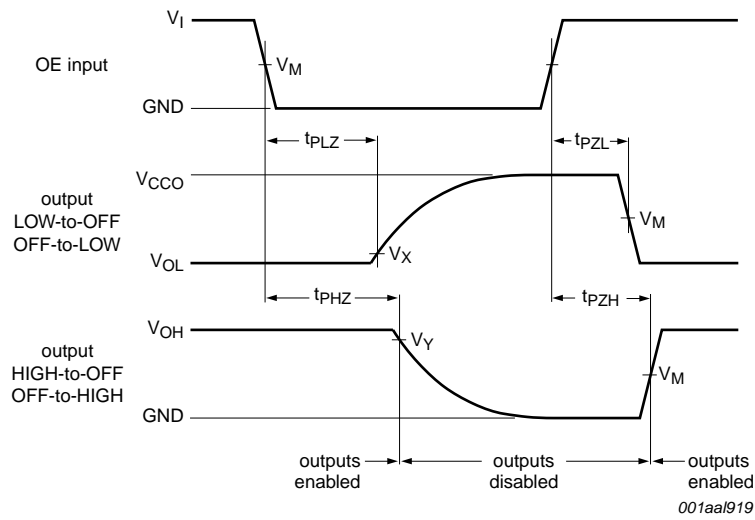
- [1] t_{en} is the same as t_{pZL} and t_{pZH} .
 t_{dis} is the same as t_{pLZ} and t_{pHZ} .
- [2] Delay between OE going LOW and when the outputs are actually disabled.
- [3] Skew between any two outputs of the same package switching in the same direction.

13. Waveforms



Measurement points are given in [Table 12](#).
 V_{OL} and V_{OH} are typical output voltage levels that occur with the output load.

Fig 7. The data input (An, Bn) to data output (Bn, An) propagation delay times



Measurement points are given in [Table 12](#).

V_{OL} and V_{OH} are typical output voltage levels that occur with the output load.

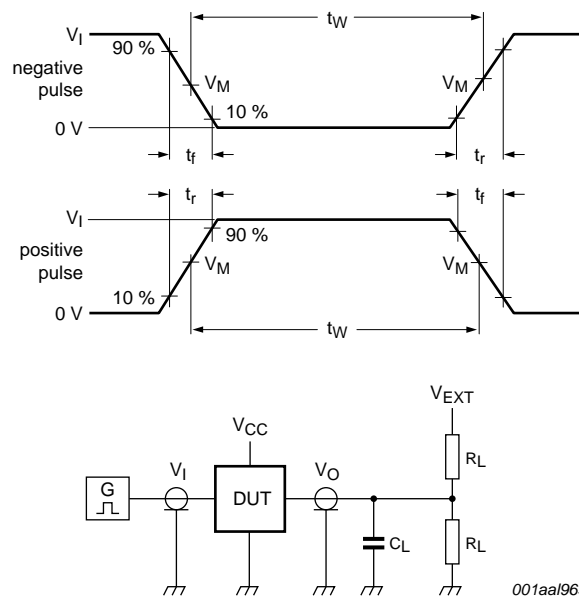
Fig 8. Enable and disable times

Table 12. Measurement points^{[1][2]}

| Supply voltage | Input | Output | | |
|----------------|--------------|--------------|-------------------|-------------------|
| V_{CCO} | V_M | V_M | V_X | V_Y |
| 1.8 V ± 0.15 V | $0.5V_{CCI}$ | $0.5V_{CCO}$ | $V_{OL} + 0.15 V$ | $V_{OH} - 0.15 V$ |
| 2.5 V ± 0.2 V | $0.5V_{CCI}$ | $0.5V_{CCO}$ | $V_{OL} + 0.15 V$ | $V_{OH} - 0.15 V$ |
| 3.3 V ± 0.3 V | $0.5V_{CCI}$ | $0.5V_{CCO}$ | $V_{OL} + 0.3 V$ | $V_{OH} - 0.3 V$ |
| 5.0 V ± 0.5 V | $0.5V_{CCI}$ | $0.5V_{CCO}$ | $V_{OL} + 0.3 V$ | $V_{OH} - 0.3 V$ |

[1] V_{CCI} is the supply voltage associated with the input.

[2] V_{CCO} is the supply voltage associated with the output.



Test data is given in [Table 13](#).

All input pulses are supplied by generators having the following characteristics: PRR ≤ 10 MHz; Z_O = 50 Ω; dV/dt ≥ 1.0 V/ns.

R_L = Load resistance.

C_L = Load capacitance including jig and probe capacitance.

V_{EXT} = External voltage for measuring switching times.

Fig 9. Test circuit for measuring switching times

Table 13. Test data

| Supply voltage | | Input | | Load | | V _{EXT} | | |
|--------------------|--------------------|-------------------------------|------------|----------------|-------------------------------|-------------------------------------|-------------------------------------|--|
| V _{CC(A)} | V _{CC(B)} | V _I ^[1] | Δt/ΔV | C _L | R _L ^[2] | t _{PLH} , t _{PHL} | t _{PZH} , t _{PHZ} | t _{PZL} , t _{PLZ} ^[3] |
| 1.65 V to 3.6 V | 2.3 V to 5.5 V | V _{CCI} | ≤ 1.0 ns/V | 15 pF | 50 kΩ, 1 MΩ | open | open | 2V _{CCO} |

[1] V_{CCI} is the supply voltage associated with the input.

[2] For measuring data rate, pulse width, propagation delay and output rise and fall measurements, R_L = 1 MΩ; for measuring enable and disable times, R_L = 50 KΩ.

[3] V_{CCO} is the supply voltage associated with the output.

14. Application information

14.1 Applications

Voltage level-translation applications. The NTS0102 can be used in point-to-point applications to interface between devices or systems operating at different supply voltages. The device is primarily targeted at I²C or 1-wire which use open-drain drivers, it may also be used in applications where push-pull drivers are connected to the ports, however the NTB0102 may be more suitable.

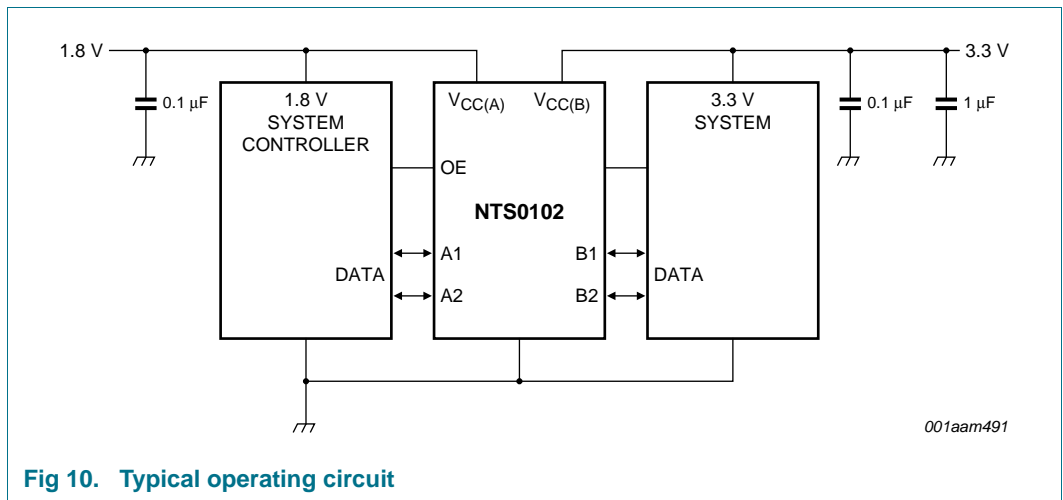


Fig 10. Typical operating circuit

14.2 Architecture

The architecture of the NTS0102 is shown in Figure 11. The device does not require an extra input signal to control the direction of data flow from A to B or B to A.

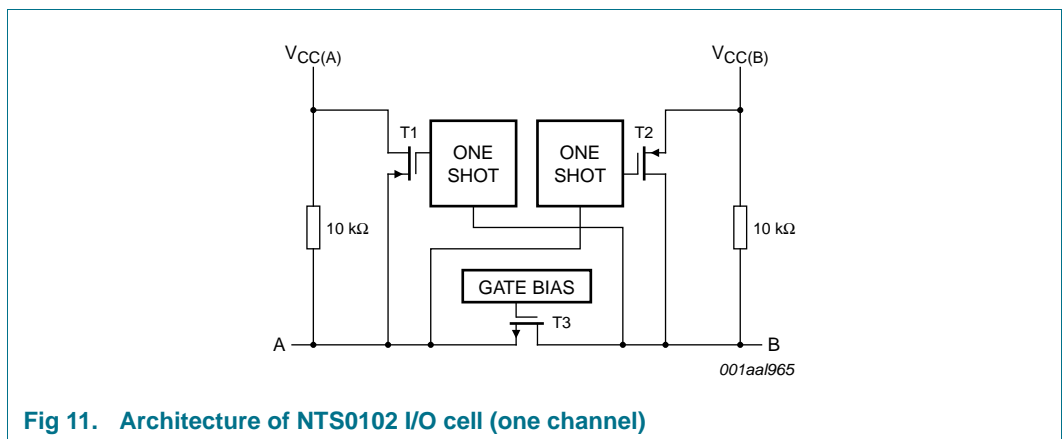


Fig 11. Architecture of NTS0102 I/O cell (one channel)

The NTS0102 is a "switch" type voltage translator, it employs two key circuits to enable voltage translation:

1. A pass-gate transistor (N-channel) that ties the ports together.
2. An output edge-rate accelerator that detects and accelerates rising edges on the I/O pins.

The gate bias voltage of the pass gate transistor (T3) is set at approximately one threshold voltage above the V_{CC} level of the low-voltage side. During a LOW-to-HIGH transition the output one-shot accelerates the output transition by switching on the PMOS transistors (T1, T2) bypassing the 10 k Ω pull-up resistors and increasing current drive capability. The one-shot is activated once the input transition reaches approximately $V_{CC}/2$; it is de-activated approximately 50 ns after the output reaches $V_{CCO}/2$. During the acceleration time the driver output resistance is between approximately 50 Ω and 70 Ω . To avoid signal contention and minimize dynamic I_{CC} , the user should wait for the one-shot circuit to turn-off before applying a signal in the opposite direction. Pull-up resistors are included in the device for DC current sourcing capability.

14.3 Input driver requirements

As the NTS0102 is a switch type translator, properties of the input driver directly effect the output signal. The external open-drain or push-pull driver applied to an I/O determines the static current sinking capability of the system; the max data rate, HIGH-to-LOW output transition time (t_{THL}) and propagation delay (t_{PHL}) are dependent upon the output impedance and edge-rate of the external driver. The limits provided for these parameters in the datasheet assume a driver with output impedance below 50 Ω is used.

14.4 Output load considerations

The maximum lumped capacitive load that can be driven is dependant upon the one-shot pulse duration. In cases with very heavy capacitive loading there is a risk that the output will not reach the positive rail within the one-shot pulse duration.

To avoid excessive capacitive loading and to ensure correct triggering of the one-shot it's recommended to use short trace lengths and low capacitance connectors on NTS0102 PCB layouts. To ensure low impedance termination and avoid output signal oscillations and one-shot re-triggering, the length of the PCB trace should be such that the round trip delay of any reflection is within the one-shot pulse duration (approximately 50 ns).

14.5 Power up

During operation $V_{CC(A)}$ must never be higher than $V_{CC(B)}$, however during power-up $V_{CC(A)} \geq V_{CC(B)}$ does not damage the device, so either power supply can be ramped up first. There is no special power-up sequencing required. The NTS0102 includes circuitry that disables all output ports when either $V_{CC(A)}$ or $V_{CC(B)}$ is switched off.

14.6 Enable and disable

An output enable input (OE) is used to disable the device. Setting OE = LOW

causes all I/Os to assume the high-impedance OFF-state. The disable time (t_{dis} with no external load) indicates the delay between when OE goes LOW and when outputs actually become disabled. The enable time (t_{en}) indicates the amount of time the user must allow for one one-shot circuitry to become operational after OE is taken HIGH. To ensure the high-impedance OFF-state during power-up or power-down, pin OE should be tied to GND through a pull-down resistor, the minimum value of the resistor is determined by the current-sourcing capability of the driver.

14.7 Pull-up or pull-down resistors on I/Os lines

Each A port I/O has an internal 10 k Ω pull-up resistor to $V_{CC(A)}$, and each B port I/O has an internal 10 k Ω pull-up resistor to $V_{CC(B)}$. If a smaller value of pull-up resistor is required, an external resistor must be added parallel to the internal 10 k Ω , this will effect the V_{OL} level. When OE goes LOW the internal pull-ups of the NTS0102 are disabled.

15. Package outline

TSSOP8: plastic thin shrink small outline package; 8 leads; body width 3 mm; lead length 0.5 mm SOT505-2

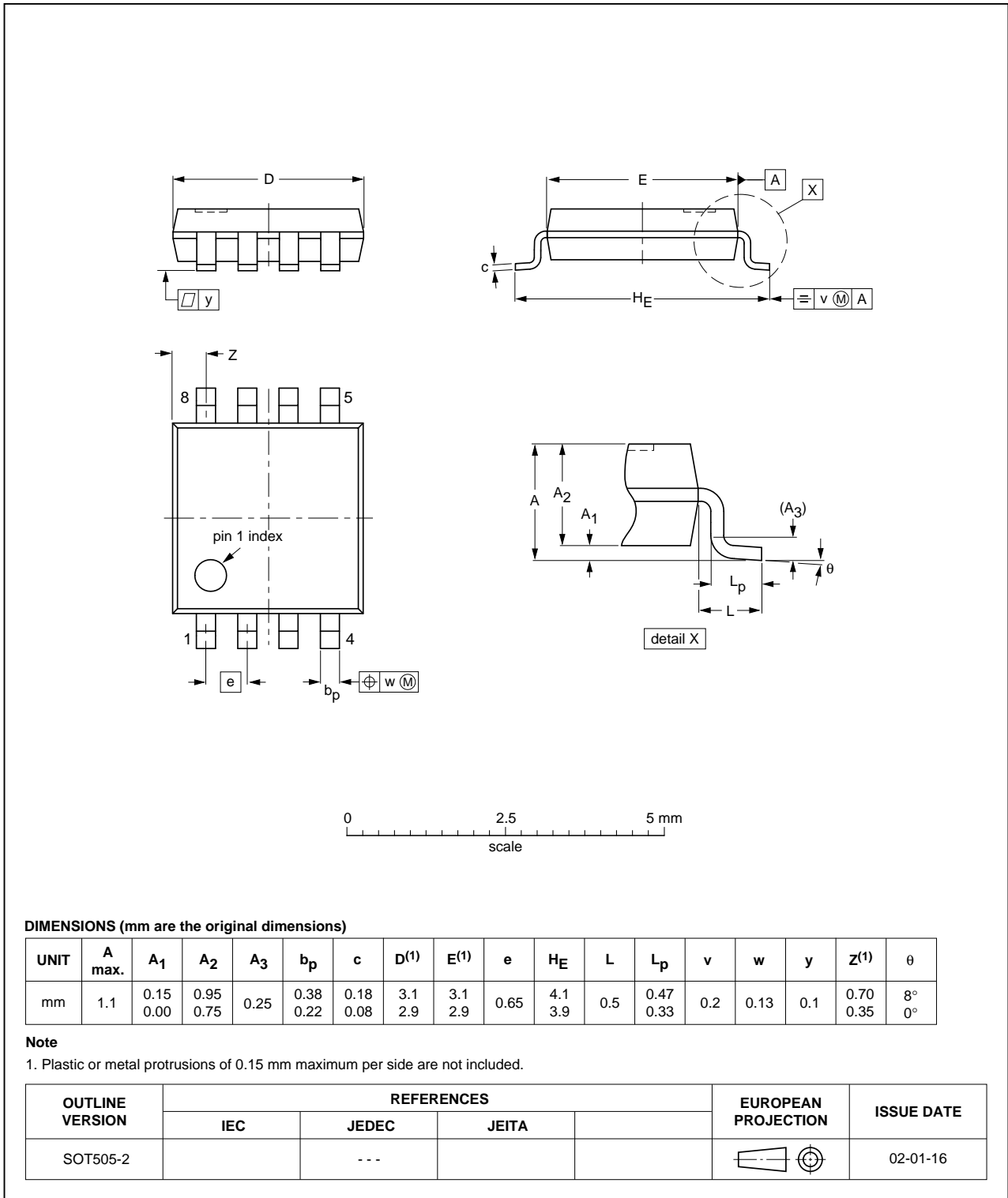


Fig 12. Package outline SOT505-2 (TSSOP8)

XSON8: plastic extremely thin small outline package; no leads; 8 terminals; body 1 x 1.95 x 0.5 mm

SOT833-1

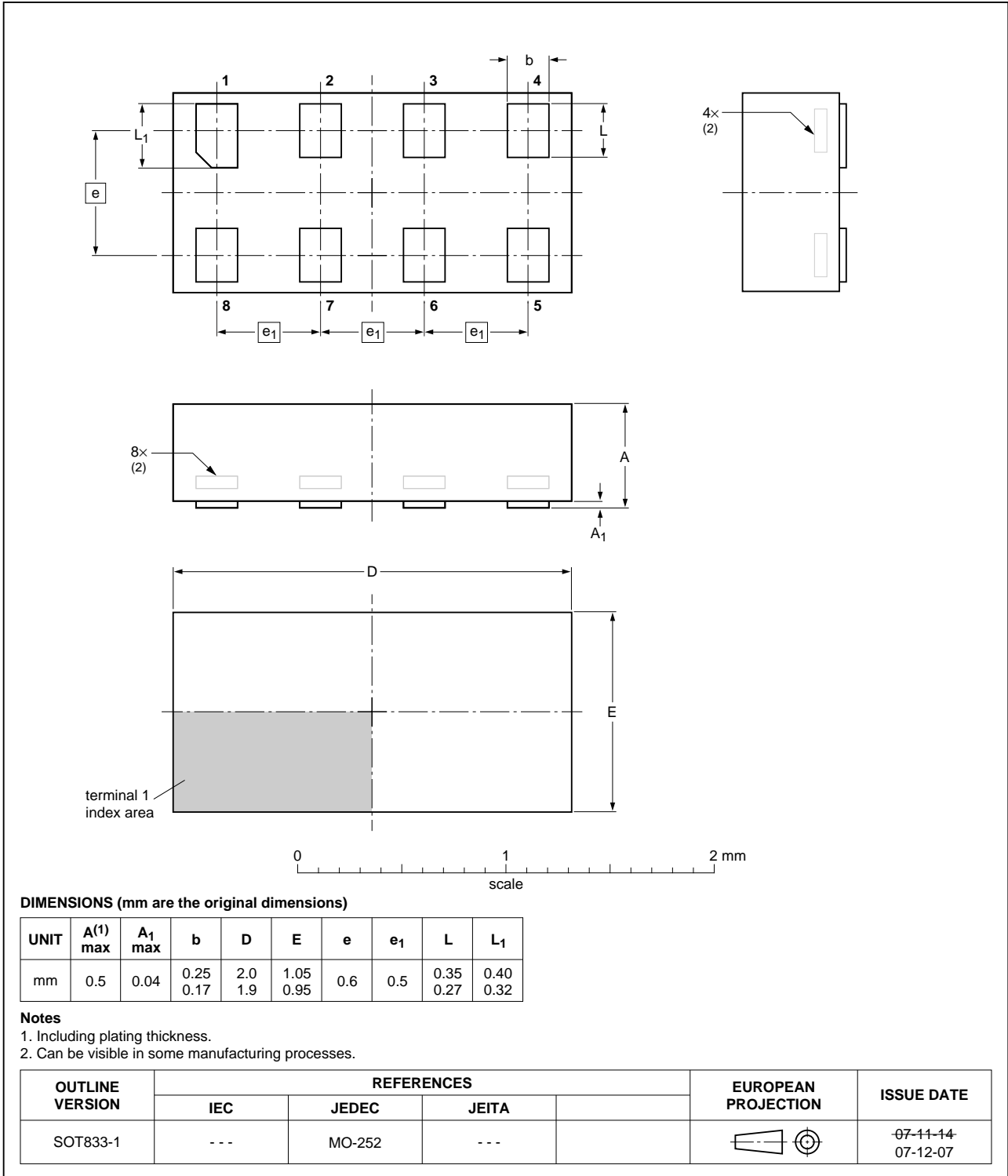


Fig 13. Package outline SOT833-1 (XSON8)

XSON8: plastic extremely thin small outline package; no leads;
8 terminals; body 3 x 2 x 0.5 mm

SOT996-2

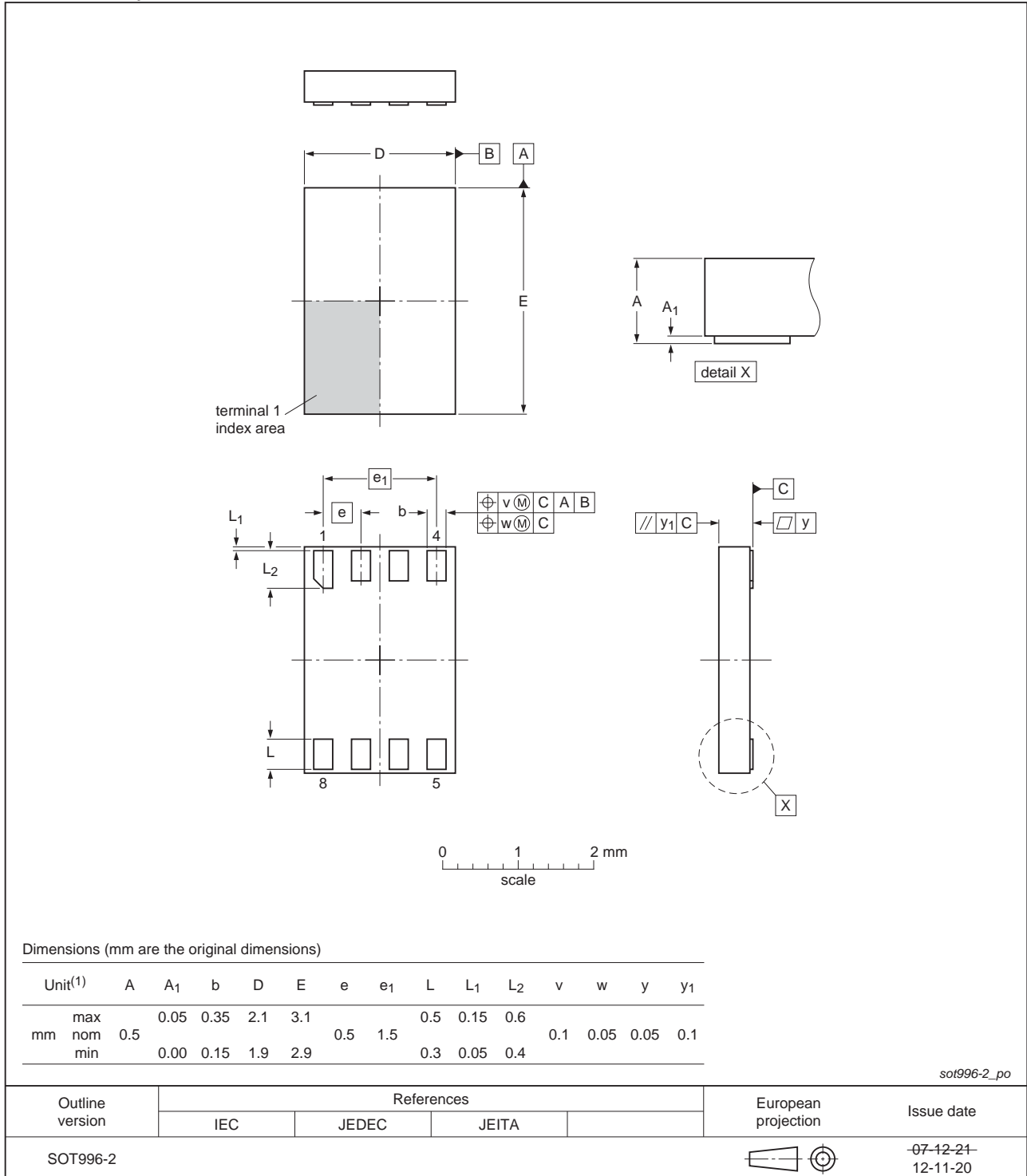


Fig 14. Package outline SOT996-2 (XSON8)

**XSON8: extremely thin small outline package; no leads;
8 terminals; body 1.35 x 1 x 0.5 mm**

SOT1089

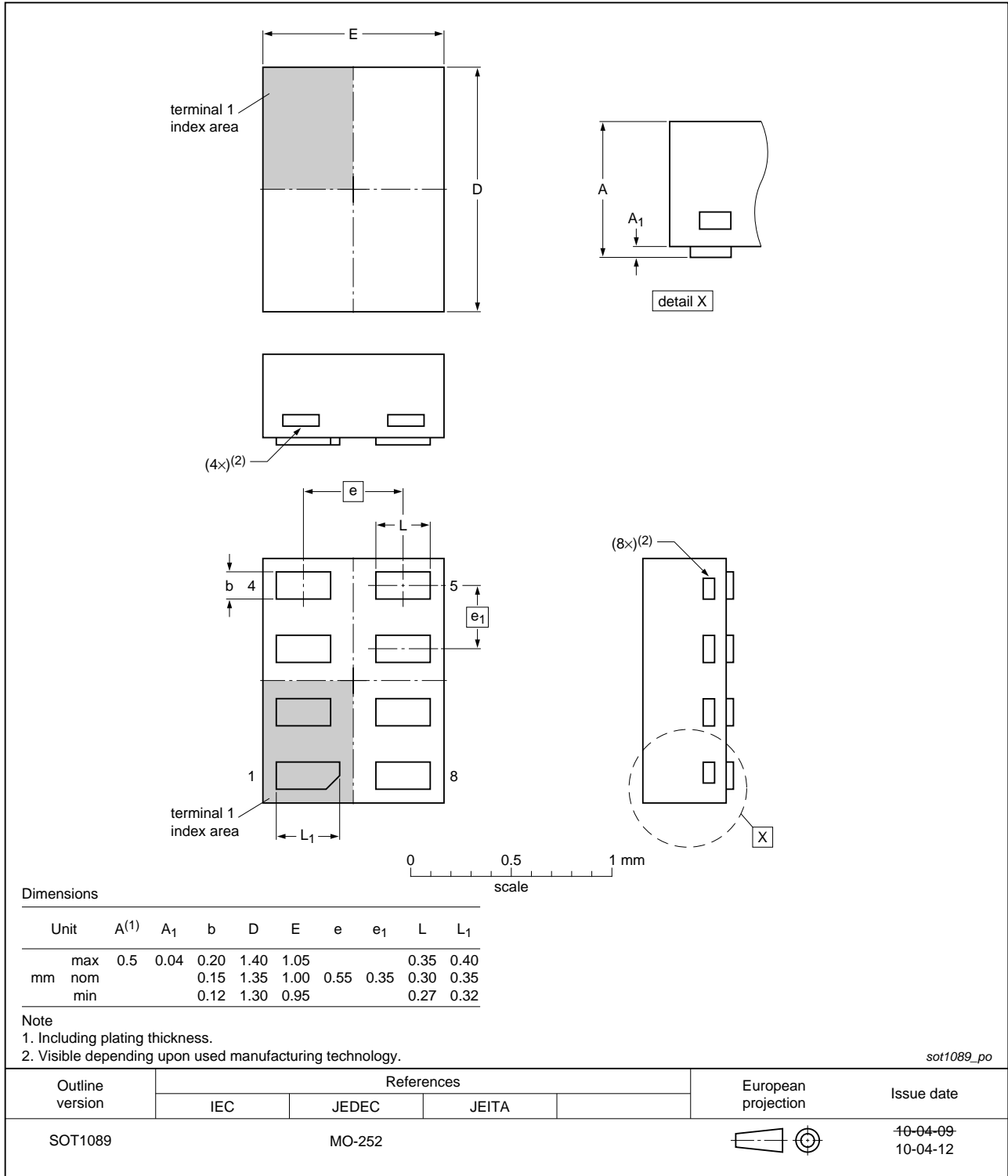


Fig 15. Package outline SOT1089 (XSON8)

XQFN10: plastic, extremely thin quad flat package; no leads; 10 terminals; body 1.40 x 1.80 x 0.50 mm

SOT1160-1

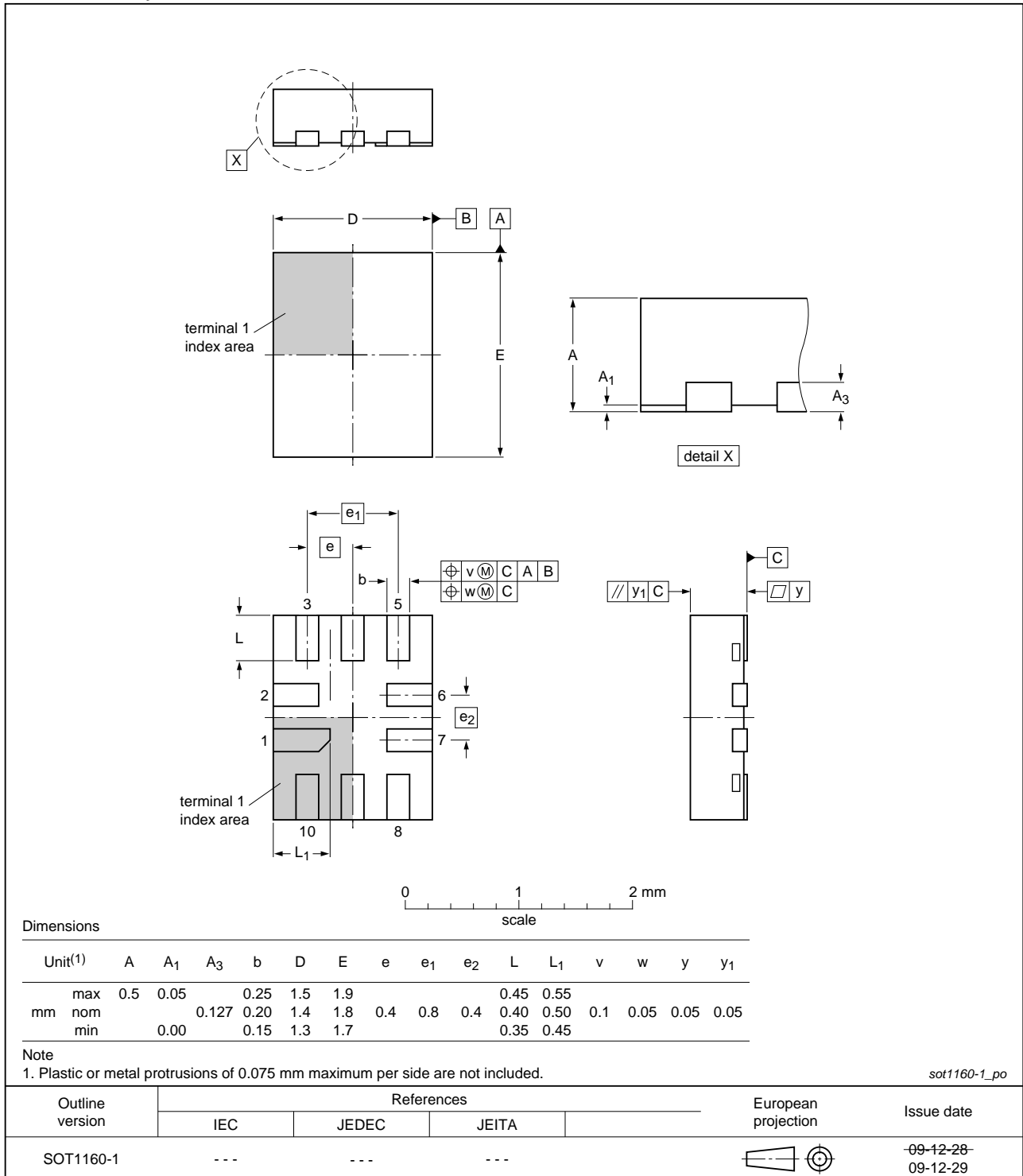


Fig 16. Package outline SOT1160-1 (XQFN10)

XQFN8: plastic, extremely thin quad flat package; no leads;
8 terminals; body 1.4 x 1.2 x 0.5 mm

SOT1309-1

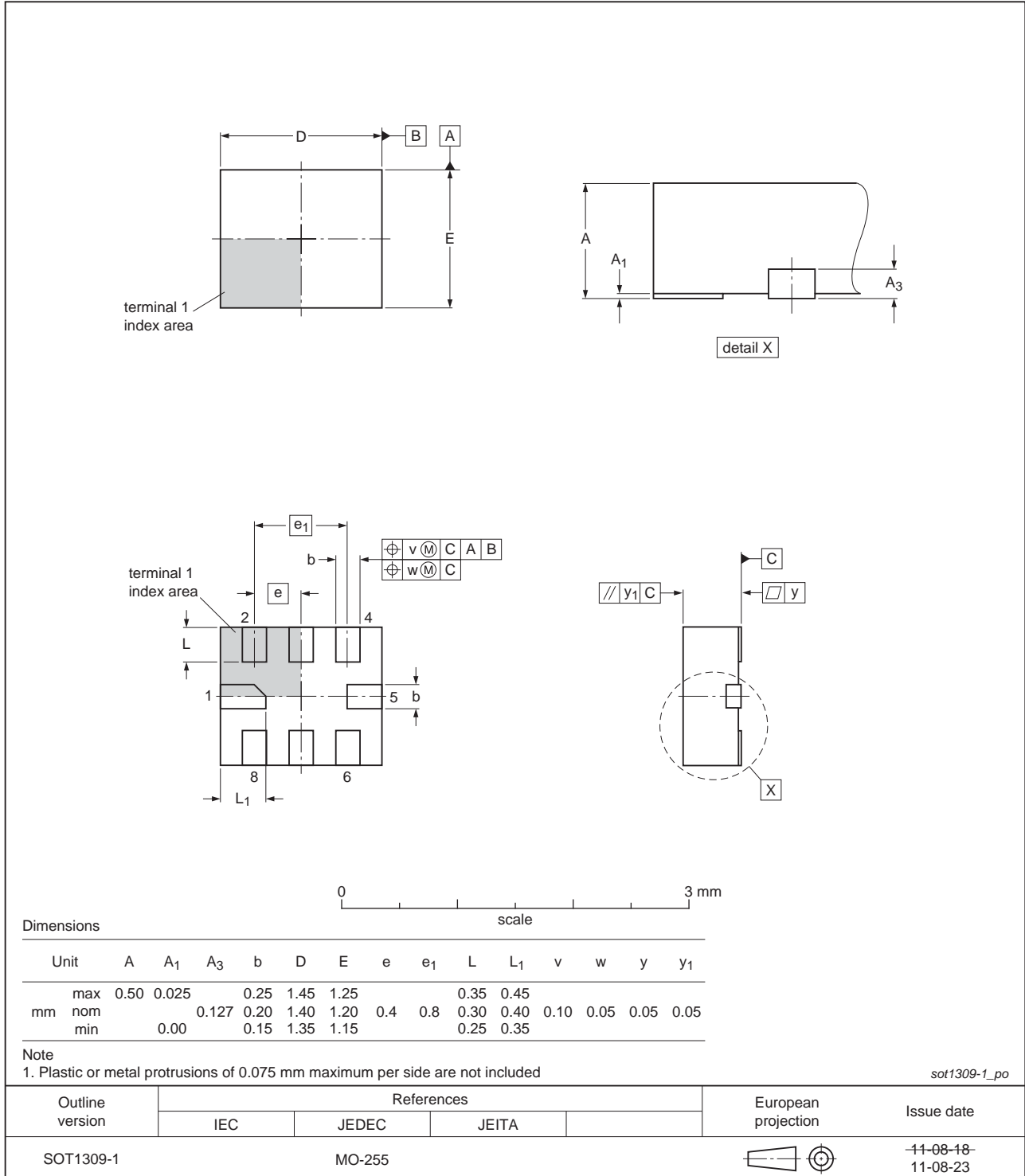


Fig 17. Package outline SOT1309-1 (XQFN8)

16. Abbreviations

Table 14. Abbreviations

| Acronym | Description |
|------------------|---|
| CDM | Charged Device Model |
| CMOS | Complementary Metal Oxide Semiconductor |
| DUT | Device Under Test |
| ESD | ElectroStatic Discharge |
| GPIO | General Purpose Input Output |
| HBM | Human Body Model |
| I ² C | Inter-Integrated Circuit |
| MM | Machine Model |
| PCB | Printed Circuit Board |
| PMOS | Positive Metal Oxide Semiconductor |
| SMBus | System Management Bus |
| UART | Universal Asynchronous Receiver Transmitter |
| UTLP | Ultra Thin Leadless Package |

17. Revision history

Table 15. Revision history

| Document ID | Release date | Data sheet status | Change notice | Supersedes |
|----------------|---|--------------------|---------------|-------------|
| NTS0102 v.4 | 20130123 | Product data sheet | - | NTS0102 v.3 |
| Modifications: | <ul style="list-style-type: none"> For type number NTS0102GD XSON8U has changed to XSON8. | | | |
| NTS0102 v.3 | 20111117 | Product data sheet | - | NTS0102 v.2 |
| Modifications: | <ul style="list-style-type: none"> Added type number NTS0102GU8 (SOT1309-1/XQFN8 package). | | | |
| NTS0102 v.2 | 20110411 | Product data sheet | - | NTS0102 v.1 |
| NTS0102 v.1 | 20100921 | Product data sheet | - | - |

18. Legal information

18.1 Data sheet status

| Document status ^{[1][2]} | Product status ^[3] | Definition |
|-----------------------------------|-------------------------------|---|
| Objective [short] data sheet | Development | This document contains data from the objective specification for product development. |
| Preliminary [short] data sheet | Qualification | This document contains data from the preliminary specification. |
| Product [short] data sheet | Production | This document contains the product specification. |

[1] Please consult the most recently issued document before initiating or completing a design.

[2] The term 'short data sheet' is explained in section "Definitions".

[3] The product status of device(s) described in this document may have changed since this document was published and may differ in case of multiple devices. The latest product status information is available on the Internet at URL <http://www.nxp.com>.

18.2 Definitions

Draft — The document is a draft version only. The content is still under internal review and subject to formal approval, which may result in modifications or additions. NXP Semiconductors does not give any representations or warranties as to the accuracy or completeness of information included herein and shall have no liability for the consequences of use of such information.

Short data sheet — A short data sheet is an extract from a full data sheet with the same product type number(s) and title. A short data sheet is intended for quick reference only and should not be relied upon to contain detailed and full information. For detailed and full information see the relevant full data sheet, which is available on request via the local NXP Semiconductors sales office. In case of any inconsistency or conflict with the short data sheet, the full data sheet shall prevail.

Product specification — The information and data provided in a Product data sheet shall define the specification of the product as agreed between NXP Semiconductors and its customer, unless NXP Semiconductors and customer have explicitly agreed otherwise in writing. In no event however, shall an agreement be valid in which the NXP Semiconductors product is deemed to offer functions and qualities beyond those described in the Product data sheet.

18.3 Disclaimers

Limited warranty and liability — Information in this document is believed to be accurate and reliable. However, NXP Semiconductors does not give any representations or warranties, expressed or implied, as to the accuracy or completeness of such information and shall have no liability for the consequences of use of such information. NXP Semiconductors takes no responsibility for the content in this document if provided by an information source outside of NXP Semiconductors.

In no event shall NXP Semiconductors be liable for any indirect, incidental, punitive, special or consequential damages (including - without limitation - lost profits, lost savings, business interruption, costs related to the removal or replacement of any products or rework charges) whether or not such damages are based on tort (including negligence), warranty, breach of contract or any other legal theory.

Notwithstanding any damages that customer might incur for any reason whatsoever, NXP Semiconductors' aggregate and cumulative liability towards customer for the products described herein shall be limited in accordance with the *Terms and conditions of commercial sale* of NXP Semiconductors.

Right to make changes — NXP Semiconductors reserves the right to make changes to information published in this document, including without limitation specifications and product descriptions, at any time and without notice. This document supersedes and replaces all information supplied prior to the publication hereof.

Suitability for use — NXP Semiconductors products are not designed, authorized or warranted to be suitable for use in life support, life-critical or safety-critical systems or equipment, nor in applications where failure or malfunction of an NXP Semiconductors product can reasonably be expected to result in personal injury, death or severe property or environmental damage. NXP Semiconductors and its suppliers accept no liability for inclusion and/or use of NXP Semiconductors products in such equipment or applications and therefore such inclusion and/or use is at the customer's own risk.

Applications — Applications that are described herein for any of these products are for illustrative purposes only. NXP Semiconductors makes no representation or warranty that such applications will be suitable for the specified use without further testing or modification.

Customers are responsible for the design and operation of their applications and products using NXP Semiconductors products, and NXP Semiconductors accepts no liability for any assistance with applications or customer product design. It is customer's sole responsibility to determine whether the NXP Semiconductors product is suitable and fit for the customer's applications and products planned, as well as for the planned application and use of customer's third party customer(s). Customers should provide appropriate design and operating safeguards to minimize the risks associated with their applications and products.

NXP Semiconductors does not accept any liability related to any default, damage, costs or problem which is based on any weakness or default in the customer's applications or products, or the application or use by customer's third party customer(s). Customer is responsible for doing all necessary testing for the customer's applications and products using NXP Semiconductors products in order to avoid a default of the applications and the products or of the application or use by customer's third party customer(s). NXP does not accept any liability in this respect.

Limiting values — Stress above one or more limiting values (as defined in the Absolute Maximum Ratings System of IEC 60134) will cause permanent damage to the device. Limiting values are stress ratings only and (proper) operation of the device at these or any other conditions above those given in the Recommended operating conditions section (if present) or the Characteristics sections of this document is not warranted. Constant or repeated exposure to limiting values will permanently and irreversibly affect the quality and reliability of the device.

Terms and conditions of commercial sale — NXP Semiconductors products are sold subject to the general terms and conditions of commercial sale, as published at <http://www.nxp.com/profile/terms>, unless otherwise agreed in a valid written individual agreement. In case an individual agreement is concluded only the terms and conditions of the respective agreement shall apply. NXP Semiconductors hereby expressly objects to applying the customer's general terms and conditions with regard to the purchase of NXP Semiconductors products by customer.

No offer to sell or license — Nothing in this document may be interpreted or construed as an offer to sell products that is open for acceptance or the grant, conveyance or implication of any license under any copyrights, patents or other industrial or intellectual property rights.

Export control — This document as well as the item(s) described herein may be subject to export control regulations. Export might require a prior authorization from competent authorities.

Non-automotive qualified products — Unless this data sheet expressly states that this specific NXP Semiconductors product is automotive qualified, the product is not suitable for automotive use. It is neither qualified nor tested in accordance with automotive testing or application requirements. NXP Semiconductors accepts no liability for inclusion and/or use of non-automotive qualified products in automotive equipment or applications.

In the event that customer uses the product for design-in and use in automotive applications to automotive specifications and standards, customer (a) shall use the product without NXP Semiconductors' warranty of the

product for such automotive applications, use and specifications, and (b) whenever customer uses the product for automotive applications beyond NXP Semiconductors' specifications such use shall be solely at customer's own risk, and (c) customer fully indemnifies NXP Semiconductors for any liability, damages or failed product claims resulting from customer design and use of the product for automotive applications beyond NXP Semiconductors' standard warranty and NXP Semiconductors' product specifications.

18.4 Trademarks

Notice: All referenced brands, product names, service names and trademarks are the property of their respective owners.

19. Contact information

For more information, please visit: <http://www.nxp.com>

For sales office addresses, please send an email to: salesaddresses@nxp.com

20. Contents

| | | |
|-----------|---|-----------|
| 1 | General description | 1 |
| 2 | Features and benefits | 1 |
| 3 | Applications | 1 |
| 4 | Ordering information | 2 |
| 5 | Marking | 2 |
| 6 | Functional diagram | 3 |
| 7 | Pinning information | 3 |
| 7.1 | Pinning | 3 |
| 7.2 | Pin description | 5 |
| 8 | Functional description | 5 |
| 9 | Limiting values | 5 |
| 10 | Recommended operating conditions | 6 |
| 11 | Static characteristics | 6 |
| 12 | Dynamic characteristics | 8 |
| 13 | Waveforms | 12 |
| 14 | Application information | 15 |
| 14.1 | Applications | 15 |
| 14.2 | Architecture | 15 |
| 14.3 | Input driver requirements | 16 |
| 14.4 | Output load considerations | 16 |
| 14.5 | Power up | 16 |
| 14.6 | Enable and disable | 16 |
| 14.7 | Pull-up or pull-down resistors on I/Os lines .. | 17 |
| 15 | Package outline | 18 |
| 16 | Abbreviations | 24 |
| 17 | Revision history | 24 |
| 18 | Legal information | 25 |
| 18.1 | Data sheet status | 25 |
| 18.2 | Definitions | 25 |
| 18.3 | Disclaimers | 25 |
| 18.4 | Trademarks | 26 |
| 19 | Contact information | 26 |
| 20 | Contents | 27 |

Please be aware that important notices concerning this document and the product(s) described herein, have been included in section 'Legal information'.

© NXP B.V. 2013.

All rights reserved.

For more information, please visit: <http://www.nxp.com>

For sales office addresses, please send an email to: salesaddresses@nxp.com

Date of release: 23 January 2013

Document identifier: NTS0102

Компания «Океан Электроники» предлагает заключение долгосрочных отношений при поставках импортных электронных компонентов на взаимовыгодных условиях!

Наши преимущества:

- Поставка оригинальных импортных электронных компонентов напрямую с производств Америки, Европы и Азии, а так же с крупнейших складов мира;
- Широкая линейка поставок активных и пассивных импортных электронных компонентов (более 30 млн. наименований);
- Поставка сложных, дефицитных, либо снятых с производства позиций;
- Оперативные сроки поставки под заказ (от 5 рабочих дней);
- Экспресс доставка в любую точку России;
- Помощь Конструкторского Отдела и консультации квалифицированных инженеров;
- Техническая поддержка проекта, помощь в подборе аналогов, поставка прототипов;
- Поставка электронных компонентов под контролем ВП;
- Система менеджмента качества сертифицирована по Международному стандарту ISO 9001;
- При необходимости вся продукция военного и аэрокосмического назначения проходит испытания и сертификацию в лаборатории (по согласованию с заказчиком);
- Поставка специализированных компонентов военного и аэрокосмического уровня качества (Xilinx, Altera, Analog Devices, Intersil, Interpoint, Microsemi, Actel, Aeroflex, Peregrine, VPT, Syfer, Eurofarad, Texas Instruments, MS Kennedy, Miteq, Cobham, E2V, MA-COM, Hittite, Mini-Circuits, General Dynamics и др.);

Компания «Океан Электроники» является официальным дистрибьютором и эксклюзивным представителем в России одного из крупнейших производителей разъемов военного и аэрокосмического назначения «**JONHON**», а так же официальным дистрибьютором и эксклюзивным представителем в России производителя высокотехнологичных и надежных решений для передачи СВЧ сигналов «**FORSTAR**».



JONHON

«**JONHON**» (основан в 1970 г.)

Разъемы специального, военного и аэрокосмического назначения:

(Применяются в военной, авиационной, аэрокосмической, морской, железнодорожной, горно- и нефтедобывающей отраслях промышленности)

«**FORSTAR**» (основан в 1998 г.)

ВЧ соединители, коаксиальные кабели, кабельные сборки и микроволновые компоненты:

(Применяются в телекоммуникациях гражданского и специального назначения, в средствах связи, РЛС, а так же военной, авиационной и аэрокосмической отраслях промышленности).



Телефон: 8 (812) 309-75-97 (многоканальный)

Факс: 8 (812) 320-03-32

Электронная почта: ocean@oceanchips.ru

Web: <http://oceanchips.ru/>

Адрес: 198099, г. Санкт-Петербург, ул. Калинина, д. 2, корп. 4, лит. А