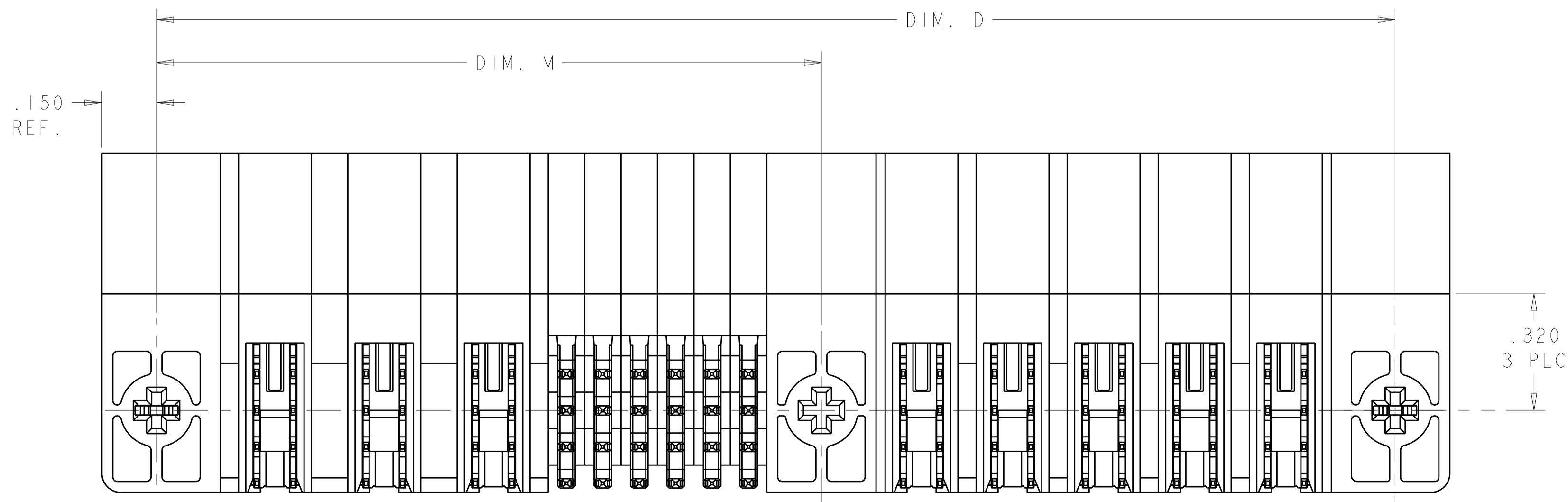
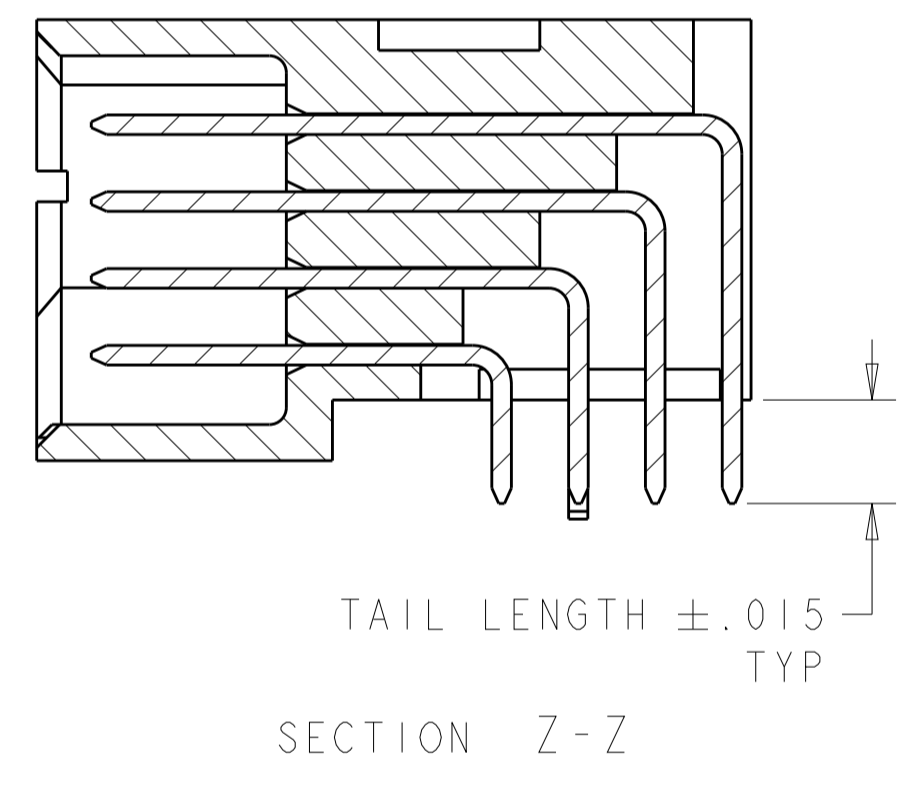
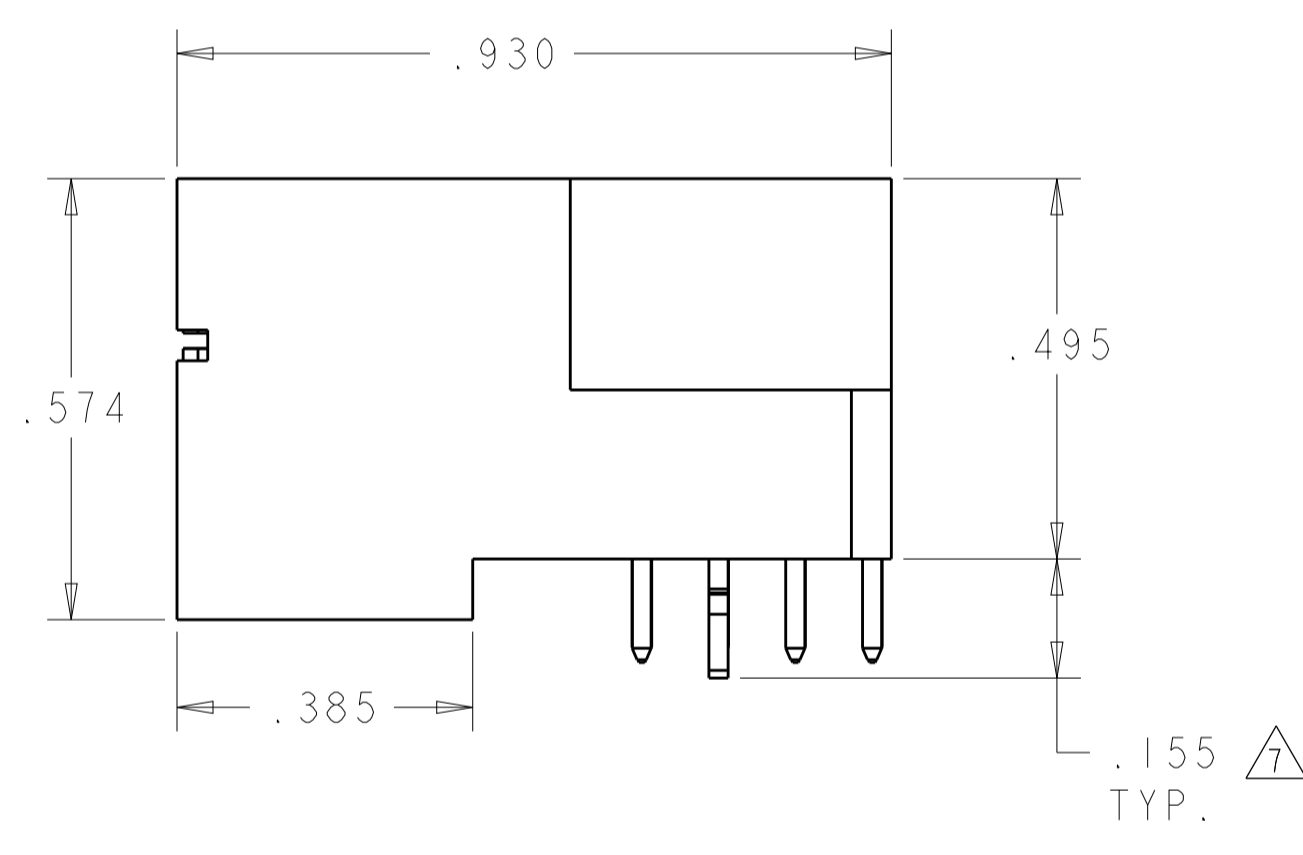
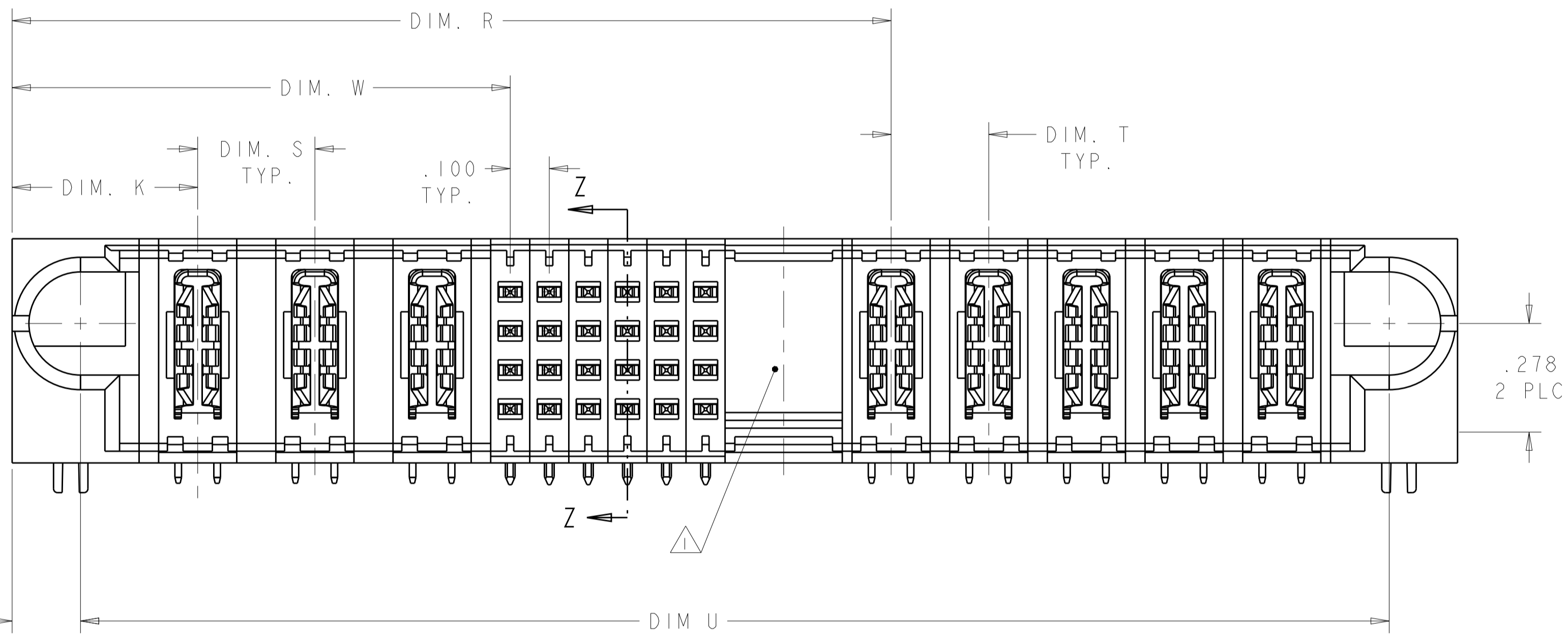
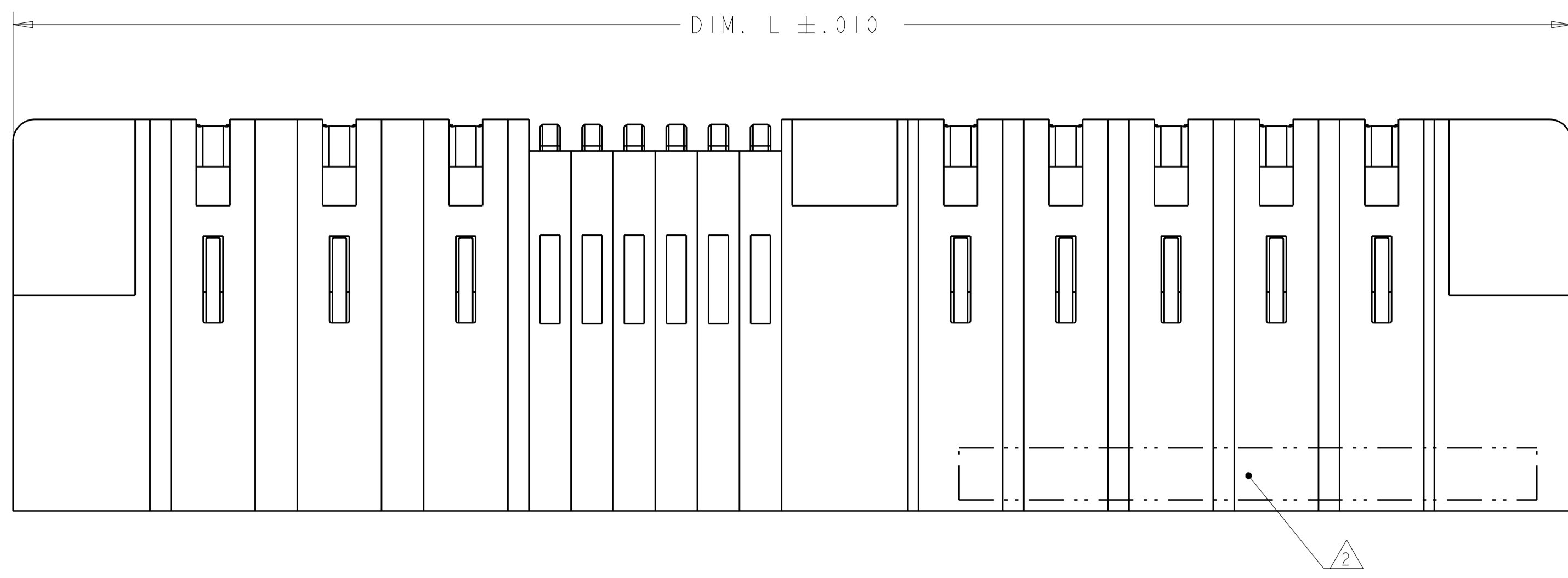


LOC		DIST		REVISIONS			
P	LTN	DESCRIPTION	DATE	DWN	APVD		
L9		REV PER ECR-12-010228	07JUN2012	AY	SZ		
M1		ADD 5-6450130-3	25JUL2012	OL	SZ		



THIS DRAWING IS A CONTROLLED DOCUMENT.

DIMENSIONS: INCHES	TOLERANCES UNLESS OTHERWISE SPECIFIED: 0 PLC ±. 2 PLC ±.01 3 PLC ±.005 4 PLC ±.0020 ANGLES ±.7°	DWN: R.GRZYBOWSKI 4FEB2005 CHK: M.PERCHEK 14FEB2005 APVD: M.PERCHEK 14FEB2005	NAME: RIGHT ANGLE HEADER ASSEMBLY W/GUIDES MULTI-BEAM XL
MATERIAL: 3	FINISH: 4	PRODUCT SPEC: 108-1973 APPLICATION SPEC: 114-13038 WEIGHT: -	SIZE: A1 CAGE CODE: C=6450130 DRAWING NO: 100779
Customer Drawing		SCALE: 4:1	SHEET 1 OF 28 REV M2

4805 (3/11)

LOC	DIST	REV	DATE	BY	APPV
ES	00				

- △ OPTIONAL CENTER MODULE WITH Ø.150 THRU HOLE OR HOLD DOWN FEATURE.
- △ "AMP", PART NUMBER, AND DATE CODE TO BE MARKED IN AREA SHOWN.
- △ MATERIAL: HOUSING - GLASS FILLED HIGH TEMP THERMO PLASTIC, UL94 V-0
 SIGNAL CONTACT - COPPER ALLOY
 POWER CONTACT - HIGH CONDUCTIVITY COPPER ALLOY
- △ CONTACT PLATING: NOBLE METAL PLATING ON CONTACT FUNCTIONAL AREA OF SIGNAL CONTACTS AND POWER CONTACTS.
- △ MECHANICAL CONNECTOR KEEP OUT ZONE.
- △ DATUM AND BASIC DIMENSIONS ESTABLISHED BY CUSTOMER.
- △ HOLD DOWN SEATING DEPTH DIMENSION FOR 6450130-4 IS .185 TYP
- △ PCB - ALL HOLE DIAMETERS ARE FINISHED HOLE SIZES.
- △ PCB - .0453 +/- .0010 DRILLED HOLES PLATES WITH .0003 MIN Sn OVER .001 TO .003 Cu PLATING TO ACHIEVE A .040±.003 DIA HOLE.
- △ VARIABLE DIMS. SHOWN ON VIEW

(L9) PART IS SHEET 27

DIM U	DIM S	DIM T	DIM R	DIM W	DIM D	DIM M	DIM L	DIM K	DESCRIPTION	PART NUMBER
2.350	.250	.250	1.250	.875	2.400	-	2.700	.450	2P + 12S + 5P	9-6450130-2
2.400	.250	.250	1.800	1.125	2.450	-	2.750	.450	3P + 24S + 3P	9-6450130-0
1.200	-	-	1.100	.625	1.250	-	1.550	.450	1P + 16S + 1P	8-6450130-9
1.900	.250	.250	1.550	.875	1.950	-	2.250	.450	2P + 24S + 2P	8-6450130-8
2.900	.250	.250	2.550	.875	2.950	-	3.250	.450	2P + 64S + 2P	8-6450130-7
2.400	.250	.250	1.800	1.125	2.450	-	2.750	.450	3P + 24S + 3P	8-6450130-6
1.300	-	-	1.200	.675	1.350	-	1.650	.450	1P + 16S + 1P	8-6450130-5
2.800	.250	.250	1.700	1.125	2.850	-	3.150	.450	3P + 20S + 5P	8-6450130-4
2.800	.250	.300	2.075	1.375	2.850	-	3.150	.450	4P + 24S + 3ACP	8-6450130-2
2.850	.250	.250	2.500	1.875	2.900	-	3.200	.450	6P + 20S + 2P	8-6450130-0
2.600	.250	.250	2.250	1.625	2.650	-	2.950	.450	5P + 20S + 2P	7-6450130-9
2.400	.250	.250	1.800	1.125	2.450	-	2.750	.450	3P + 24S + 3P	7-6450130-8
4.800	.250	.250	3.450	1.875	4.850	-	5.150	.450	6P + 60S + 6P	7-6450130-7
3.050	.300	.250	1.950	1.275	3.100	-	3.400	.475	3ACP + 24S + 5P	7-6450130-6
2.400	.250	.250	1.800	1.125	2.450	-	2.750	.450	3P + 24S + 3P	7-6450130-5
6.250	.250	△	5.050	4.375	6.300	-	6.600	.450	16P + 24S + 2P + 3ACP	7-6450130-4
2.000	.300	.250	1.650	1.325	2.050	-	2.350	.475	3ACP + 8S + 2P	7-6450130-1
2.500	.250	.250	2.150	.875	2.550	-	2.850	.450	2P + 48S + 2P	6-6450130-9
1.900	.250	.250	1.550	.875	1.950	-	2.250	.450	2P + 24S + 2P	6-6450130-7
2.500	.250	.250	2.150	1.425	2.550	-	2.850	.450	4P + 24S + 2P	5-6450130-8
6.300	△	△	3.925	3.275	6.350	-	6.650	.425	14P + 24S + 12P	5-6450130-6
3.100	.200	.200	2.225	1.375	3.150	-	3.450	.425	5P + 32S + 5P	5-6450130-5
2.400	.200	.200	1.900	1.225	2.450	-	2.750	.450	4HDP + 24S + 3HDP	5-6450130-3
2.300	.300	.250	1.950	1.275	2.350	-	2.650	.450	3ACP + 24S + 2P	5-6450130-1
4.000	.300	.300	2.675	1.925	4.050	-	4.350	.475	5ACP + 24S + 5ACP	5-6450130-0
3.000	.250	.250	2.150	1.425	3.050	-	3.350	.450	4P + 24S + 4P	4-6450130-9
3.300	.250	.250	2.450	1.375	3.350	-	3.650	.450	4P + 40S + 4P	4-6450130-8
3.100	.200	.200	2.225	1.375	3.150	-	3.450	.425	5P + 32S + 5P	4-6450130-5
2.100	.300	.250	1.750	1.275	2.150	-	2.450	.475	3ACP + 16S + 2P	4-6450130-3
1.900	.250	.250	1.550	.875	1.950	-	2.250	.450	2P + 24S + 2P	4-6450130-2
2.100	.200	.200	1.425	1.175	2.150	-	2.450	.425	4P + 8S + 4P	4-6450130-0
2.100	.300	.250	1.750	1.275	2.150	-	2.450	.475	3ACP + 16S + 2P	3-6450130-9
4.675	.250	.300	3.950	3.375	4.725	-	5.025	.450	12P + 20S + 3ACP	3-6450130-6
3.500	.250	.250	2.900	1.625	3.550	-	3.850	.450	5P + 48S + 3P	3-6450130-2
1.900	.250	.250	1.550	.875	1.950	-	2.250	.450	2P + 24S + 2P	2-6450130-9
3.250	.250	.250	2.900	1.125	3.300	-	3.600	.450	3P + 68S + 2P	2-6450130-8
2.300	.300	.250	1.950	1.275	2.350	-	2.650	.475	3ACP + 24S + 2P	2-6450130-6
2.600	.200	.200	1.925	1.175	2.650	-	2.950	.425	4HDP + 28S + 4HDP	2-6450130-4
3.200	.200	.200	2.125	1.575	3.250	-	3.550	.425	6P + 20S + 6P	2-6450130-3
2.800	.250	.300	2.075	1.375	2.850	-	3.150	.450	4P + 24S + 3ACP	2-6450130-2
3.500	.200	.200	2.225	1.775	3.550	-	3.850	.425	7P + 16S + 7P	2-6450130-1
5.450	△	△	3.075	2.425	5.500	-	5.800	.425	10P + 24S + 12P	2-6450130-0
4.400	.250	.250	4.050	.875	4.450	-	4.750	.450	2P + 124S + 2P	1-6450130-9
4.275	△	.250	3.175	2.500	4.325	-	4.625	.475	2ACP + 6P + 24S + 5P	1-6450130-8
1.900	.250	.250	1.550	.875	1.950	-	2.250	.450	2P + 24S + 2P	1-6450130-7
3.300	.300	.250	1.950	1.275	3.350	-	3.650	.475	3ACP + 24S + 6P	1-6450130-4
4.050	.250	-	3.950	.875	4.100	-	4.400	.450	2P + 120S + 1P	1-6450130-3
3.250	.250	-	3.150	.875	3.300	-	3.600	.450	2P + 88S + 1P	1-6450130-2
1.400	-	-	1.300	.625	1.450	-	1.750	.450	1P + 24S + 1P	1-6450130-1
2.900	.250	.250	2.550	.875	2.950	-	3.250	.450	2P + 64S + 2P	1-6450130-0
2.550	.250	.300	1.825	1.125	2.600	-	2.900	.450	3P + 24S + 3ACP	6450130-9
2.675	.200	.200	2.375	1.650	2.725	-	3.025	.450	5P + 24S + 2P	6450130-8
3.650	.250	.250	2.550	1.875	3.700	-	4.000	.450	6P + 24S + 5P	6450130-7
2.400	.250	.250	1.800	1.125	2.450	-	2.750	.450	3P + 24S + 3P	6450130-6
4.350	.250	.250	3.500	2.625	4.400	-	4.700	.450	9P + 32S + 4P	6450130-5
2.800	.250	.300	2.075	1.375	2.850	-	3.150	.450	4P + 24S + 3ACP	6450130-4
3.050	.300	.250	1.950	1.275	3.100	-	3.400	.475	3ACP + 24S + 5P	6450130-3
2.550	.300	.250	2.200	1.525	2.600	-	2.900	.475	3ACP + 1P + 24S + 2P	6450130-2
3.650	.300	.250	2.550	1.275	3.700	-	4.000	.475	3ACP + 48S + 5P	6450130-1

(L8)	1.600	-	-	1.500	.625	1.650	-	1.950	.450	1P + 32S + 1P	9-6450130-9
(L7)	2.400	.250	.250	1.550	.875	2.450	-	2.750	.450	2P + 24S + 4P	9-6450130-8
(L5)	2.400	.250	.250	1.800	1.125	2.450	-	2.750	.450	3P + 24S + 3P	9-6450130-7
(L3)	1.300	-	-	1.200	.625	1.350	-	1.650	.450	1P + 20S + 1P	9-6450130-6
(K6)	2.300	.250	.300	1.575	.875	2.350	-	2.650	.450	2P + 24S + 3ACP	9-6450130-5
	2.800	.250	.300	2.075	1.375	2.850	-	3.150	.450	4P + 24S + 3ACP	9-6450130-4
	1.700	.250	.250	1.350	.875	1.750	-	2.050	.450	2P + 16S + 2P	9-6450130-3
	DIM U	DIM S	DIM T	DIM R	DIM W	DIM D	DIM M	DIM L	DIM K	DESCRIPTION	PART NUMBER

THIS DRAWING IS A CONTROLLED DOCUMENT. DWG: R. GRZYBOWSKI 14FEB2005
 CHK: M. PERCHERKE 14FEB2005
 APVD: M. PERCHERKE 14FEB2005

DIMENSIONS: INCHES. TOLERANCES UNLESS OTHERWISE SPECIFIED:
 0 PLC ±.01
 1 PLC ±.01
 2 PLC ±.01
 3 PLC ±.005
 4 PLC ±.0020
 ANGLES ±.0020

MATERIAL: FINISH:

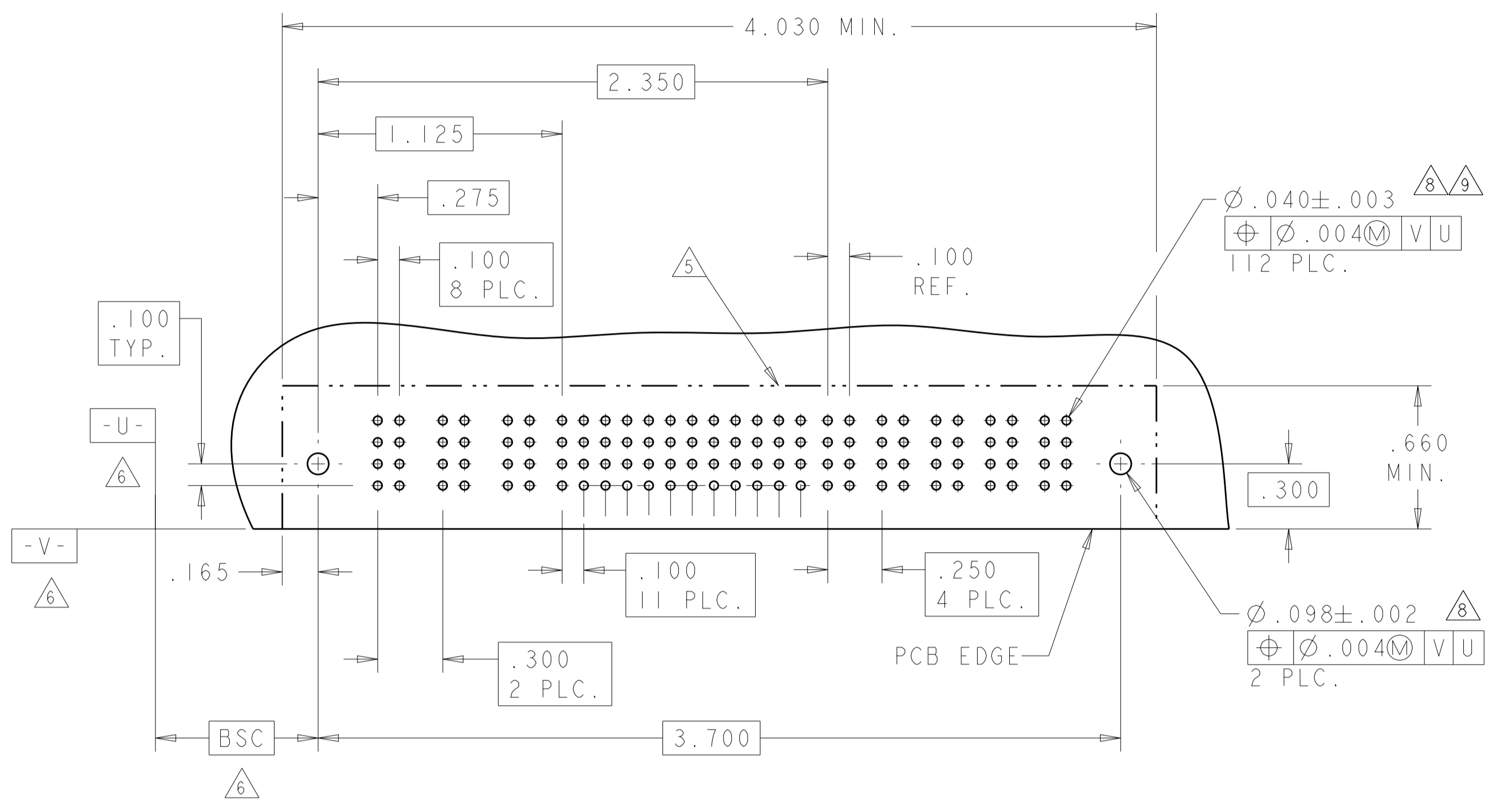
Customer Drawing

TE Connectivity
 RIGHT ANGLE HEADER ASSEMBLY W/GUIDES MULTI-BEAM XL

SIZE: 108-1973 APPLICATION SPEC
 CAGE CODE: 114-13038 DRAWING NO: 100779
 WEIGHT: 6450130

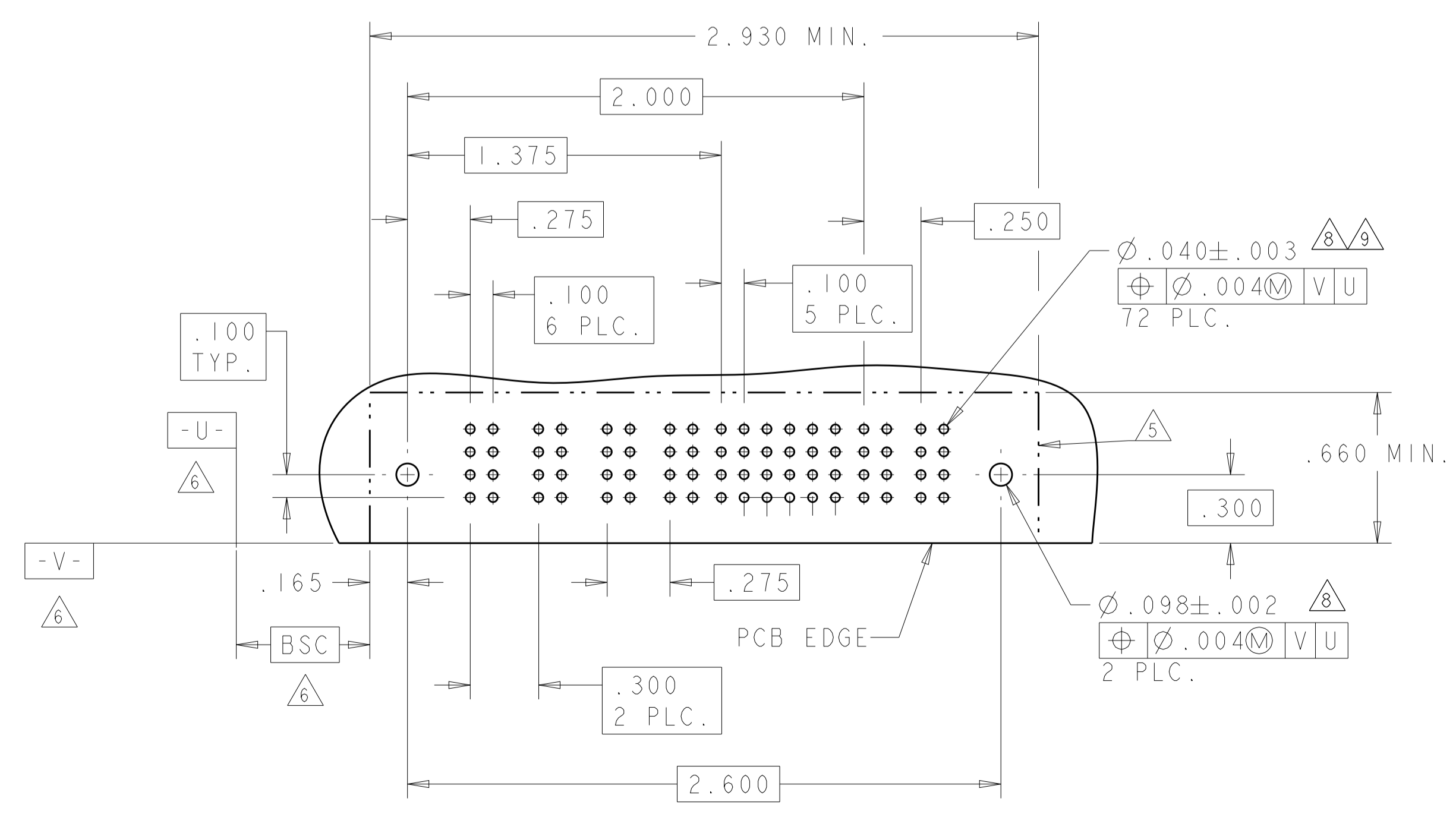
SCALE: 4:1 SHEET 2 OF 28 REV: M2

PART NUMBER	ROWS	POWER			SIGNAL								POWER											
		P1	P2	P3	1	2	3	4	5	6	7	8	9	10	11	12	P4	P5	P6	P7	P8			
6450130-1	D C B A	PM	PM	PM	J	J	J	J	J	J	J	J	J	J	J	J	PM	PM	PM	PM	PM	PM	PM	
					K	K	K	K	K	K	K	K	K	K	K	K								
					N	N	N	N	N	N	N	N	N	N	N	N								N
					S	S	S	S	S	S	S	S	S	S	S	S								H
3ACP + 48S + 5P																								



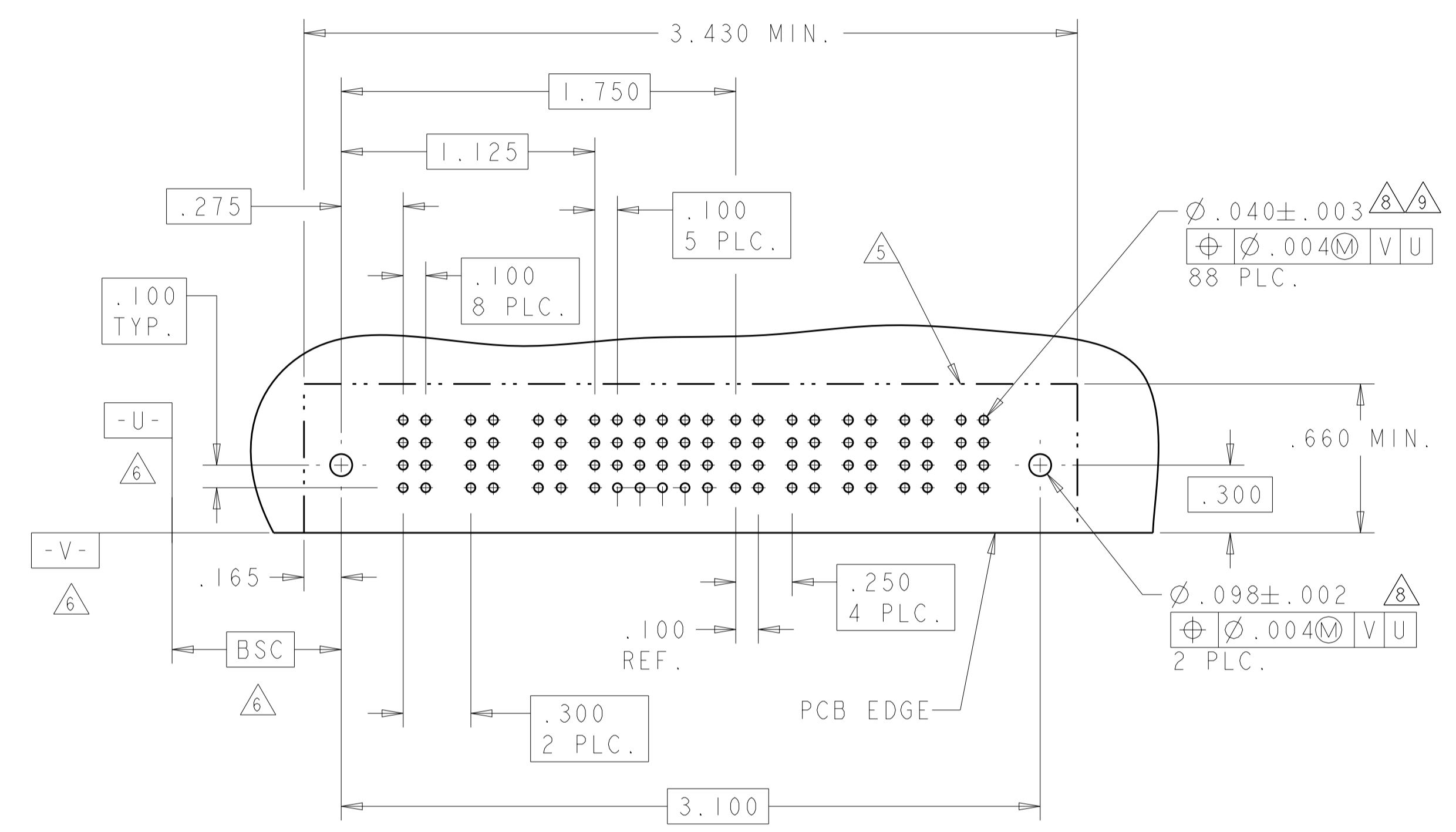
NO CONTACT LOADED

PART NUMBER	ROWS	POWER				SIGNAL						POWER			
		P1	P2	P3	P4	1	2	3	4	5	6	P5	P6		
6450130-2	D C B A	PM	PM	PM	E	J	J	J	J	J	J	PM	PM	PM	PM
						K	K	F	K	K	K				
						N	N	N	N	N	N				
						H	S	S	S	S	H				
3ACP + 1P + 24S + 2P															



LOC	DIST	REV	DATE	BY	APPV
ES	00				

PART NUMBER	ROWS	POWER			SIGNAL						POWER							
		P1	P2	P3	1	2	3	4	5	6	P4	P5	P6	P7	P8			
6450130-3	D C B A	PM	PM	PM	J	J	J	J	E	J	J	J	J	PM	PM	PM	PM	PM
					K	K	F	K	K	K	K							
					N	N	N	N	N	G	N	N						
					S	S	H	S	S	S	S	S						
3ACP + 24S + 5P																		



CODE	TAIL LENGTH	DESCRIPTION
PM	.135	MULTI-BEAM
PA	.090	MULTI-BEAM
POWER CONTACT		

CODE	MATING SEQUENCE	TAIL LENGTH	ROW
Z	STD	.090	D
Y	STD	.090	C
R	STD	.090	B
O	STD	.090	A
A4	MLBF	.090	D
A3	MLBF	.090	C
A2	MLBF	.090	B
A1	MLBF	.090	A
E	MLBF	.135	D
F	MLBF	.135	C
G	MLBF	.135	B
H	MLBF	.135	A
J	STD	.135	D
K	STD	.135	C
N	STD	.135	B
S	STD	.135	A
SIGNAL CONTACT			

THIS DRAWING IS A CONTROLLED DOCUMENT.

DIMENSIONS: INCHES	TOLERANCES UNLESS OTHERWISE SPECIFIED:	0 PLC ±.01	1 PLC ±.01	2 PLC ±.01	3 PLC ±.01	4 PLC ±.002	ANGLES ±.020	FINISH
--------------------	--	------------	------------	------------	------------	-------------	--------------	--------

Customer Drawing

DATE: 14 FEB 2005

NAME: M. PERCHERKE

PRODUCT SPEC: 108-1973

APPLICATION SPEC: 114-13038

WEIGHT: -

SCALE: 4:1

SHEET: 3 OF 28

REV: M2

STE TE Connectivity

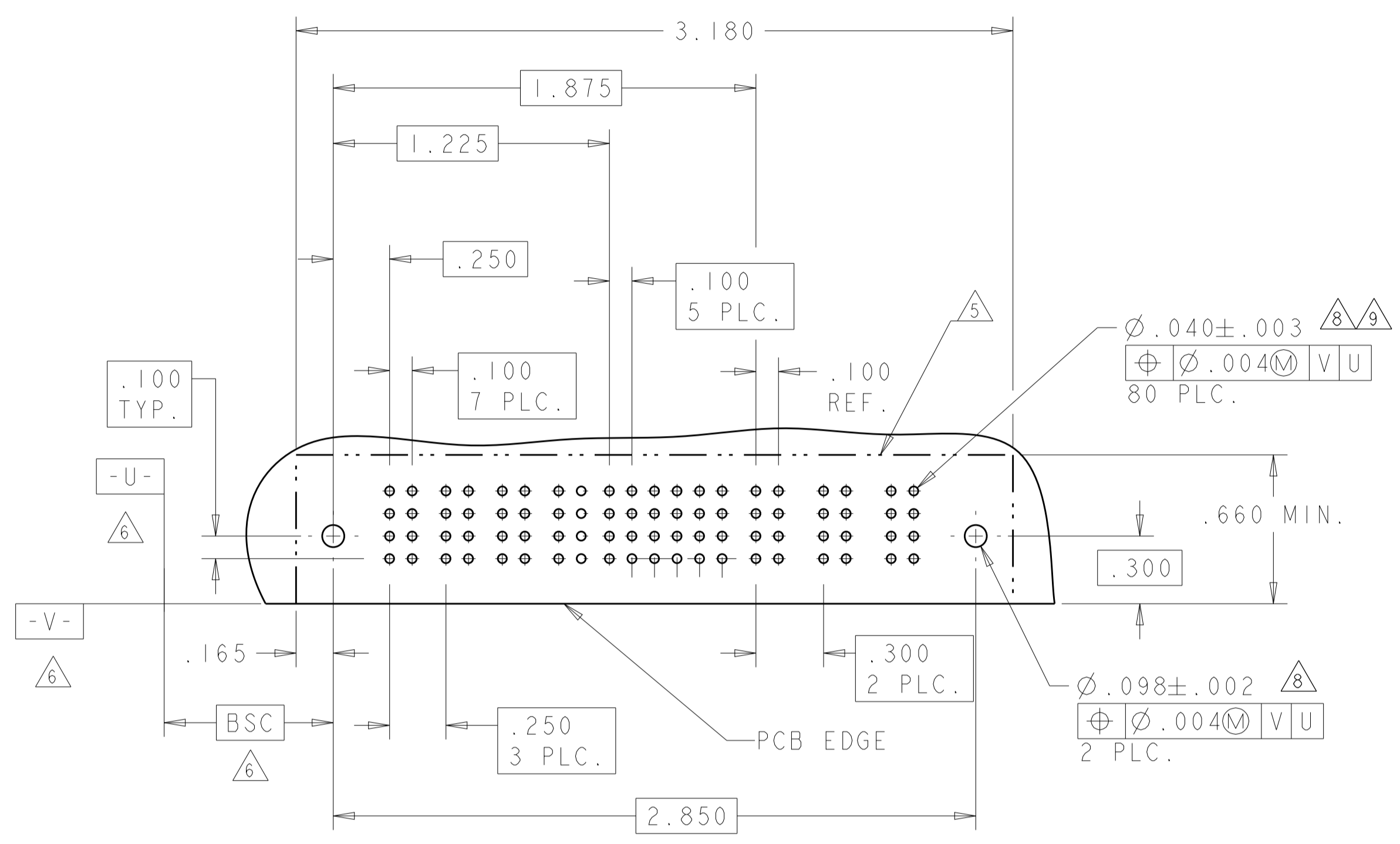
RIGHT ANGLE HEADER ASSEMBLY W/GUIDES MULTI-BEAM XL

SIZE: A1

CAGE CODE: 100779

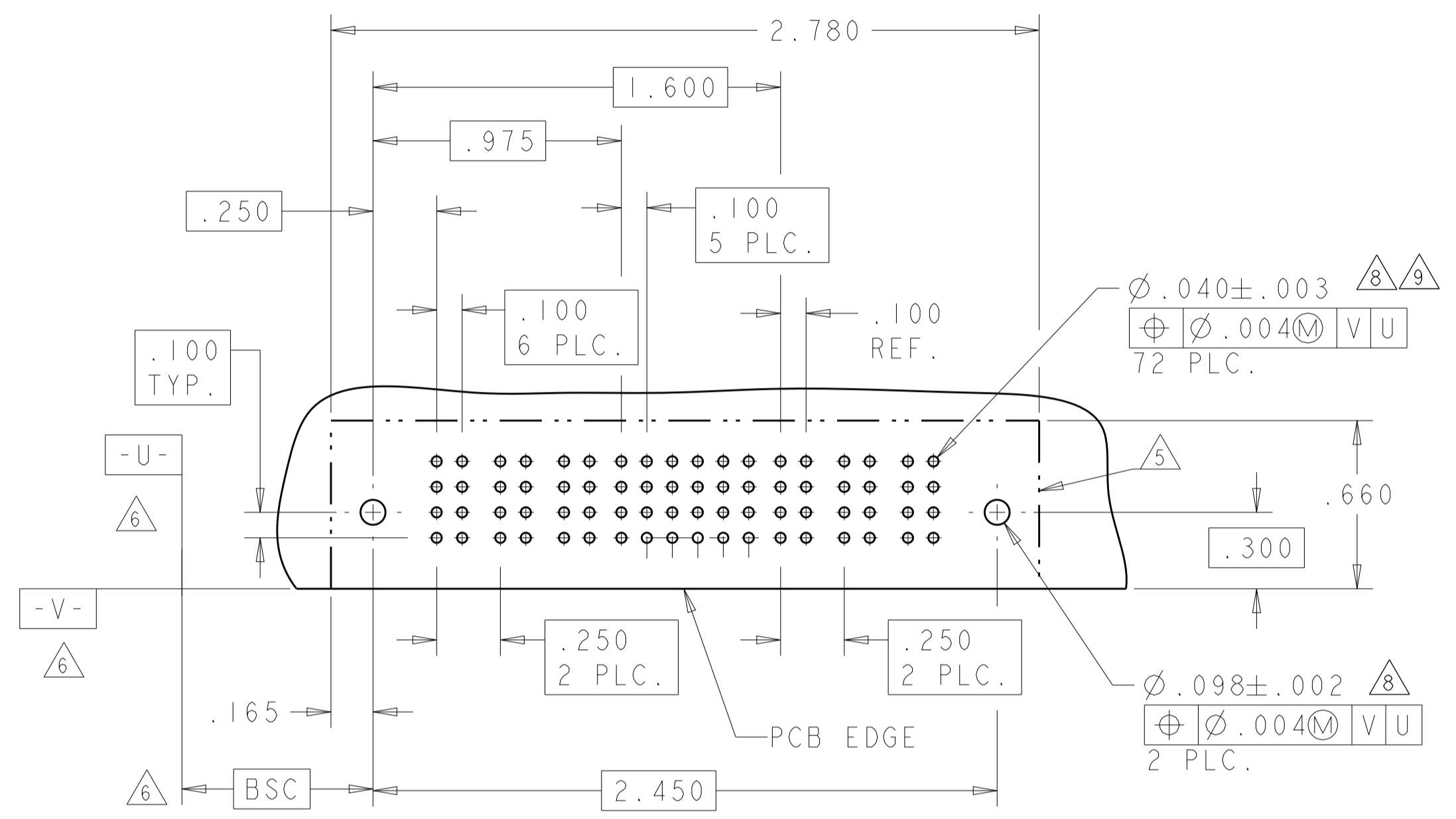
DRAWING NO: 6450130

PART NUMBER	ROWS	POWER				SIGNAL						POWER		
		P1	P2	P3	P4	1	2	3	4	5	6	P5	P6	P7
6450130-4	D C B A	PM	PM	PM	PM	J	J	J	J	J	J	PM	PM	PM
						K	K	K	K	K	K			
						N	N	N	N	N	N			
						S	S	S	S	S	H			
4P + 24S + 3ACP														



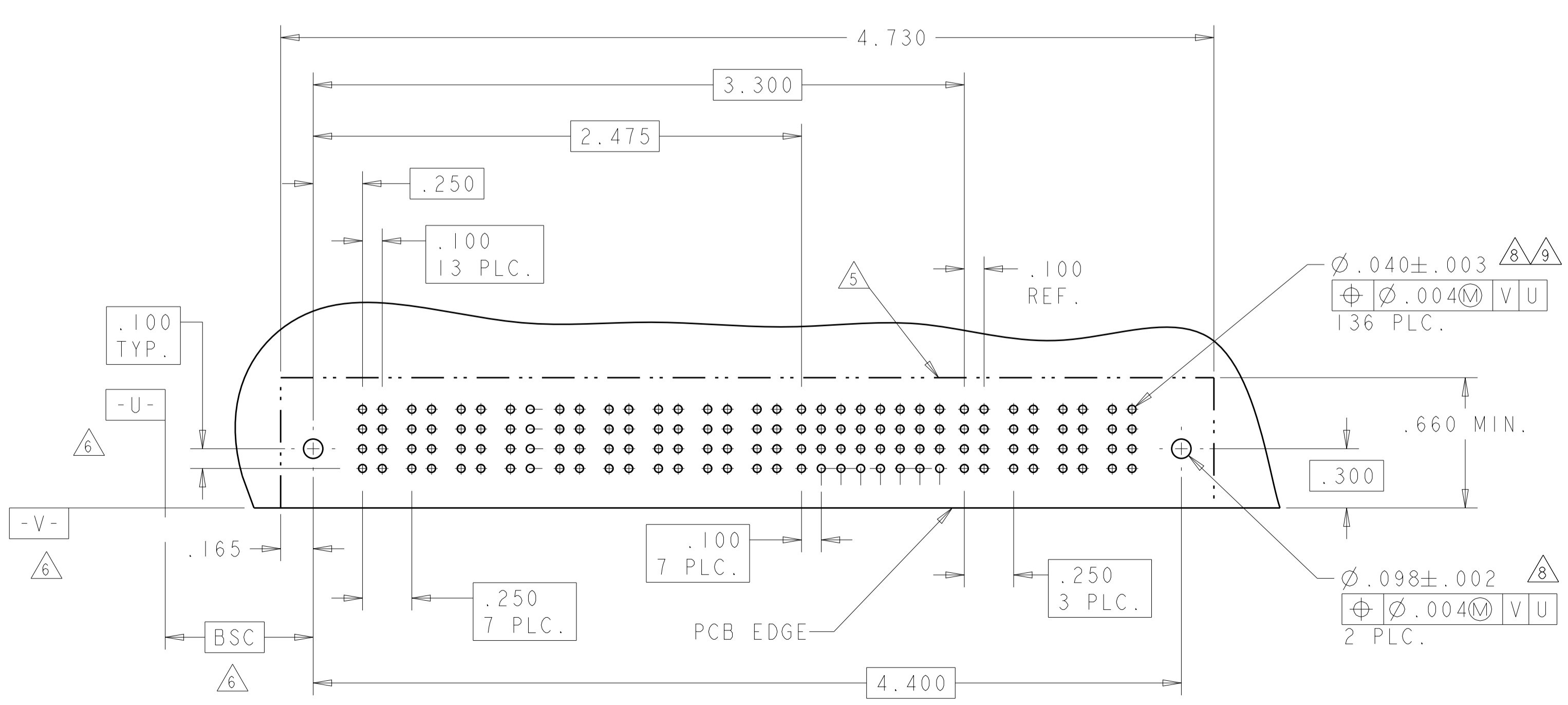
LOC	DIST	REV	DATE	APP'D
ES	00			

PART NUMBER	ROWS	POWER			SIGNAL						POWER		
		P1	P2	P3	1	2	3	4	5	6	P4	P5	P6
6450130-6	D C B A	PM	PM	PM	J	J	J	J	J	J	PM	PM	PM
					K	K	K	K	K	K			
					N	N	G	N	N	N			
					S	S	S	S	S	S			
3P + 24S + 3P													

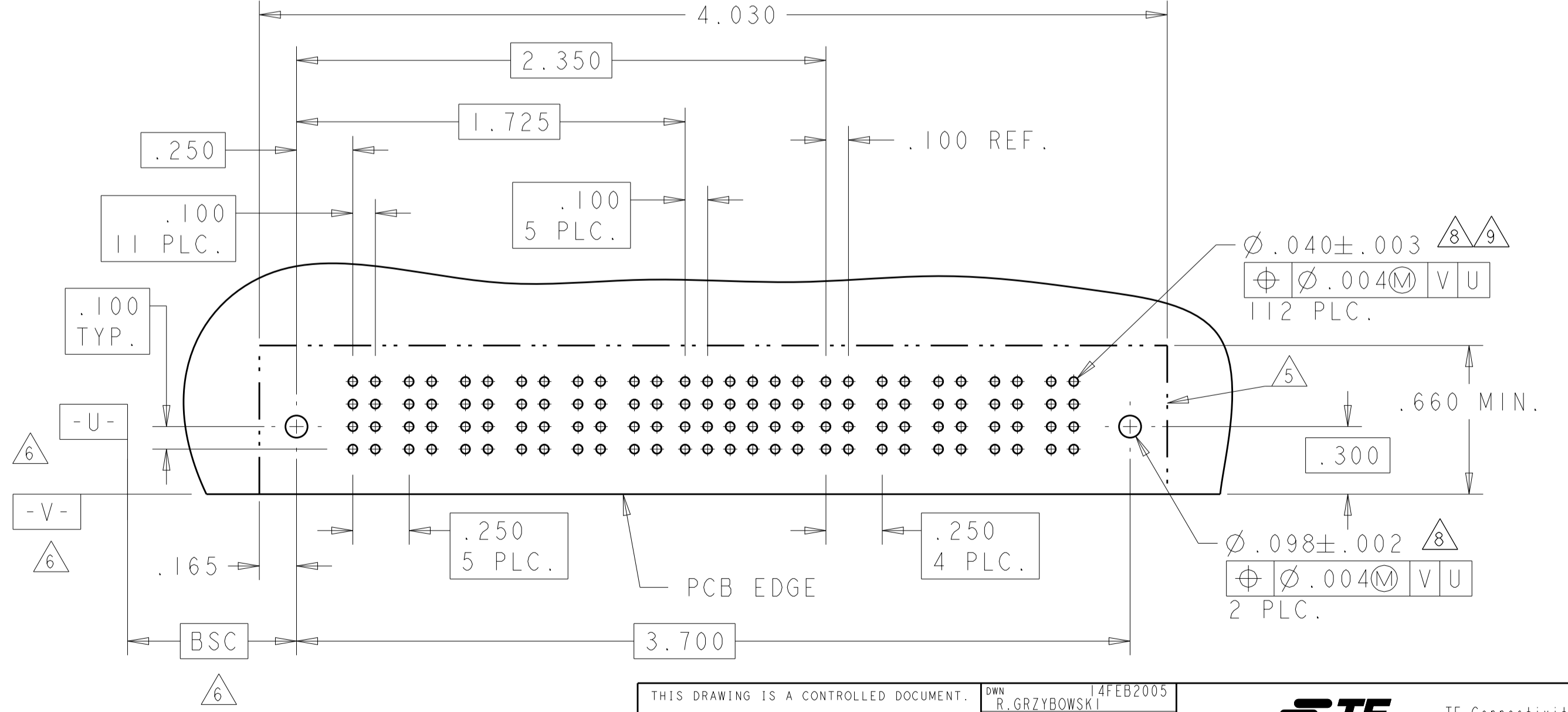


NO CONTACT LOADED

PART NUMBER	ROWS	POWER									SIGNAL								POWER				
		P1	P2	P3	P4	P5	P6	P7	P8	P9	1	2	3	4	5	6	7	8	P10	P11	P12	P13	
6450130-5	D C B A	PM	PM	PM	PM	PM	PM	PM	PM	PM	J	J	J	J	J	J	J	J	PM	PM	PM	PM	
											K	K	K	K	K	K	K	K					
											N	N	N	N	N	N	N	N					
											S	S	S	S	S	S	S	S					
9P + 32S + 4P																							



PART NUMBER	ROWS	POWER						SIGNAL						POWER				
		P1	P2	P3	P4	P5	P6	1	2	3	4	5	6	P7	P8	P9	P10	P11
6450130-7	D C B A	PM	PM	PM	PM	PM	PM	J	J	J	J	J	J	PM	PM	PM	PM	PM
								K	K	F	K	K	K					
								N	N	N	N	N	G					
								S	S	H	S	S	S					
6P + 24S + 5P																		



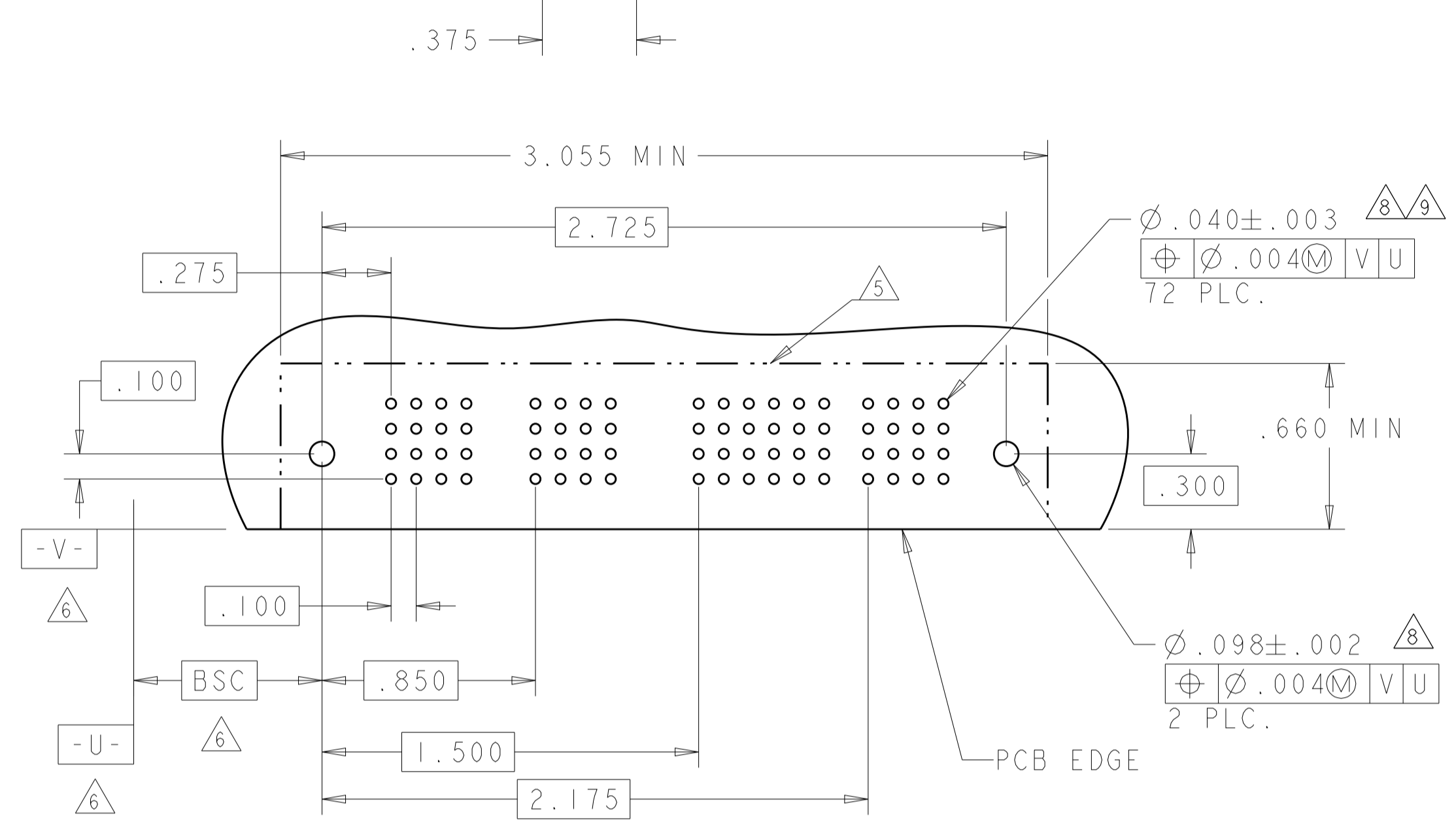
THIS DRAWING IS A CONTROLLED DOCUMENT.

DIMENSIONS: INCHES 	TOLERANCES UNLESS OTHERWISE SPECIFIED: 0 PLC ±. 1 PLC ±.01 2 PLC ±.01 3 PLC ±.005 4 PLC ±.002 ANGLES ±.0020	DWN: R. GRZYBOWSKI 14FEB2005 CHK: M. PERCHERKE 14FEB2005 APVD: M. PERCHERKE 14FEB2005 PRODUCT SPEC 108-1973 APPLICATION SPEC 114-13038 WEIGHT Customer Drawing	TE Connectivity RIGHT ANGLE HEADER ASSEMBLY W/GUIDES MULTI-BEAM XL SIZE: CAGE CODE: DRAWING NO: A100779C=6450130 SCALE: 4:1 SHEET 4 OF 28 REV: M2
---------------------------	---	--	---

LOC		DIST		REVISONS	
ES	00				
P LTR		DESCRIPTION		DATE	OWN APVD
-		SEE SHEET 1		-	-

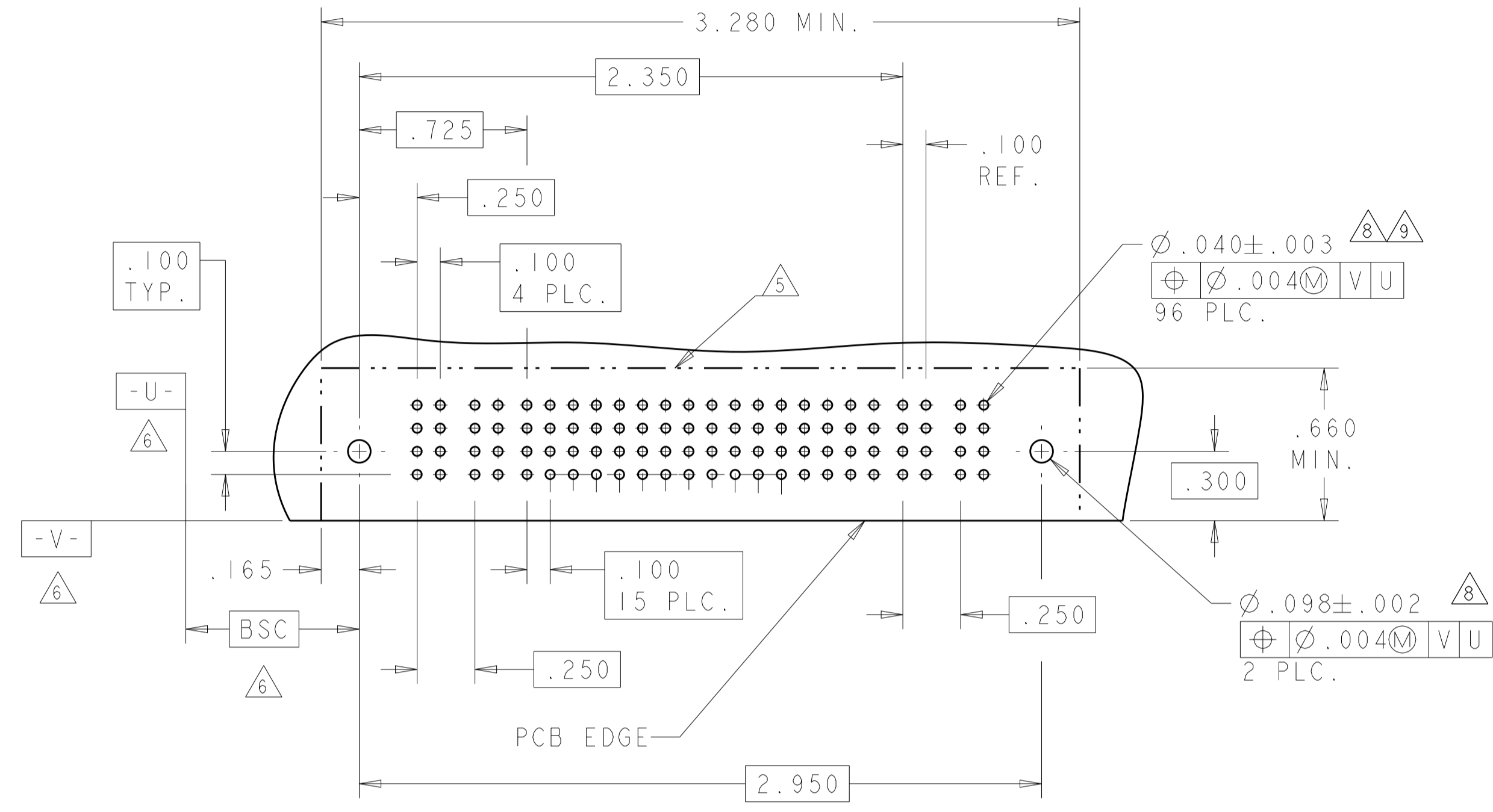
PART NUMBER	ROWS	POWER					SIGNAL						POWER	
		P1	P2	P3	P4	P5	1	2	3	4	5	6	P6	P7
6450130-8	D	PM	PM	PM	PM	J	J	J	J	J	J	PM	PM	
	C					K	K	K	K	K				
	B					N	N	N	N	N	G			
	A					S	S	S	S	S	S			

5P + 24S + 2P



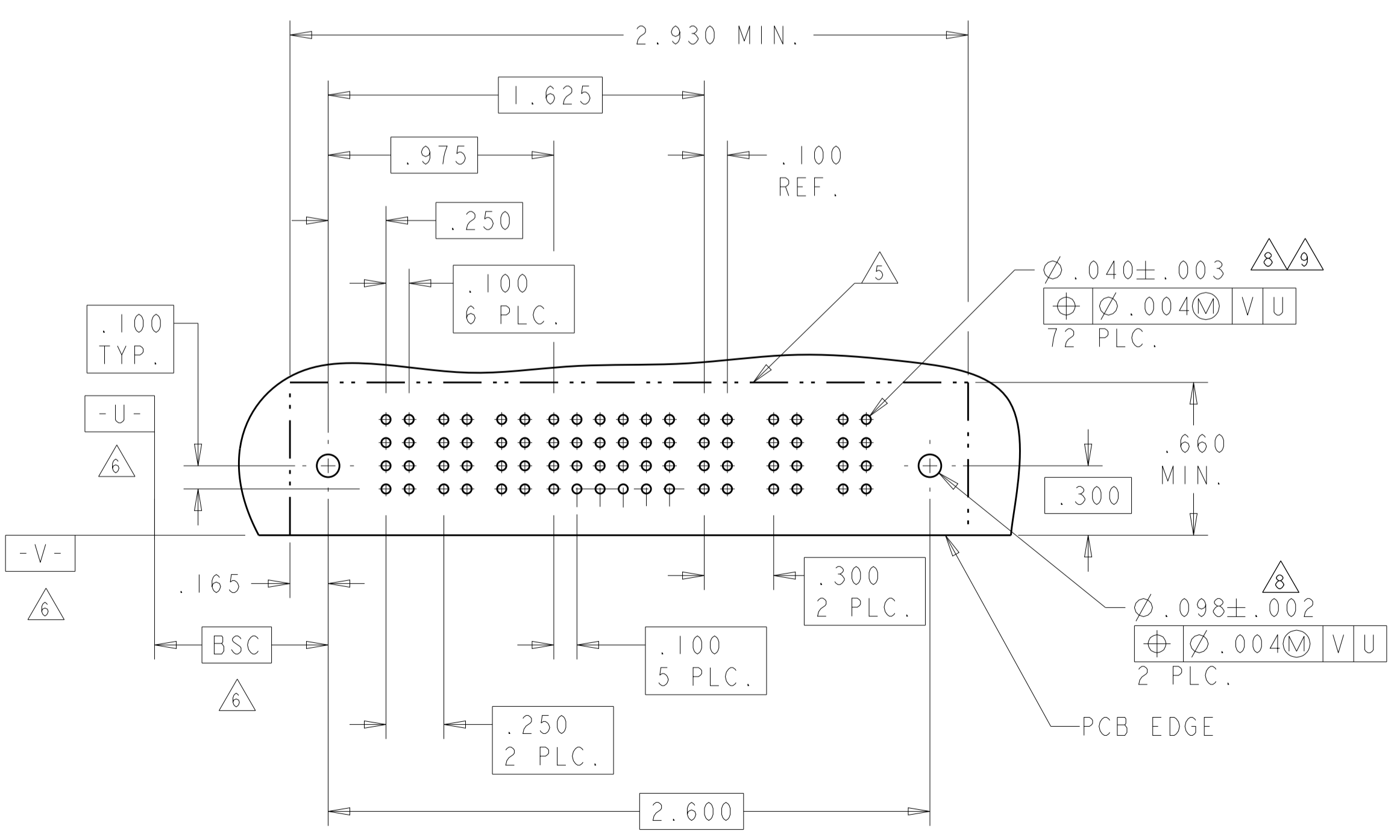
PART NUMBER	ROWS	POWER		SIGNAL																POWER									
		P1	P2	1	2	3	4	5	6	7	8	9	10	11	12	13	14	15	16	P3	P4								
I-6450130-0	D	PA	PA	A	4	A	4	A	4	A	4	A	4	A	4	A	4	A	4	A	4	A	4	A	4	PA	PA		
	C			A	3	A	3	A	3	A	3	A	3	A	3	A	3	A	3	A	3	A	3	A	3				
	B			A	2	A	2	A	2	A	2	A	2	A	2	A	2	A	2	A	2	A	2	A	2			A	2
	A			A	1	A	1	A	1	A	1	A	1	A	1	A	1	A	1	A	1	A	1	A	1			A	1

2P + 64S + 2P



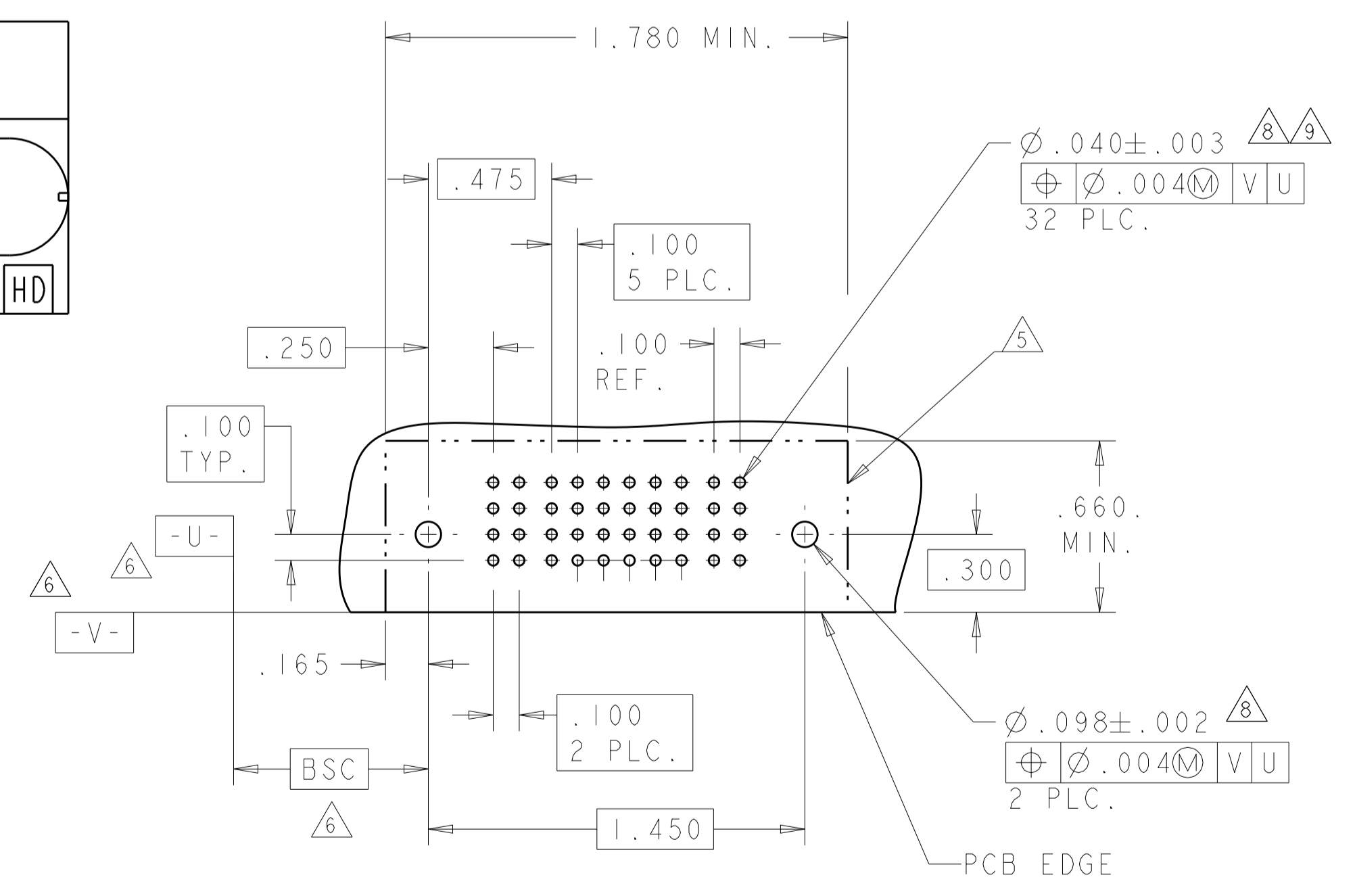
PART NUMBER	ROWS	POWER			SIGNAL						POWER		
		P1	P2	P3	1	2	3	4	5	6	P4	P5	P6
6450130-9	D	PA	PA	PA	Z	A	4	A	4	A	4	PA	PA
	C				Y	A	3	A	3	A	3		
	B				R	A	2	A	2	A	2		
	A				O	A	1	A	1	A	1		

3P + 24S + 3ACP



PART NUMBER	ROWS	POWER		SIGNAL						POWER		
		P1	P2	1	2	3	4	5	6	P2		
I-6450130-1	D	PA	PA	A	4	A	4	A	4	A	4	PA
	C			A	3	A	3	A	3	A	3	
	B			A	2	A	2	A	2	A	2	
	A			A	1	A	1	A	1	A	1	

IP + 24S + IP



THIS DRAWING IS A CONTROLLED DOCUMENT. OWN: R. GRZYBOWSKI, 4 FEB 2005. CHK: M. PERCHERKE, 14 FEB 2005. APVD: M. PERCHERKE, 14 FEB 2005.

DIMENSIONS: INCHES. TOLERANCES UNLESS OTHERWISE SPECIFIED: 0 PLC ±.01, 1 PLC ±.01, 2 PLC ±.01, 3 PLC ±.005, 4 PLC ±.002, ANGLES ±.0020.

MATERIAL: FINISH: .

Customer Drawing

SCALE: 4:1 SHEET 5 OF 28 REV: M2

STE TE Connectivity

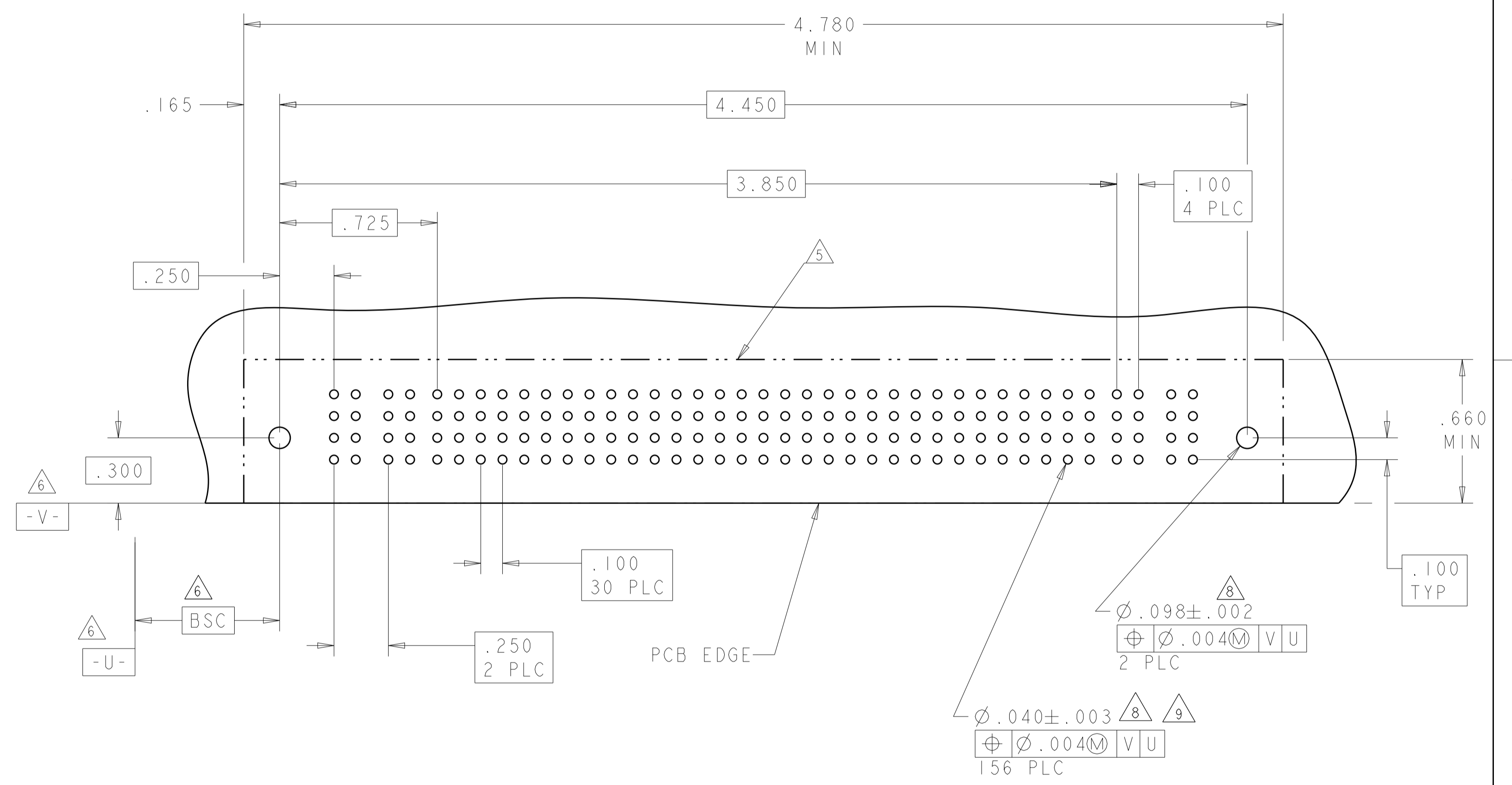
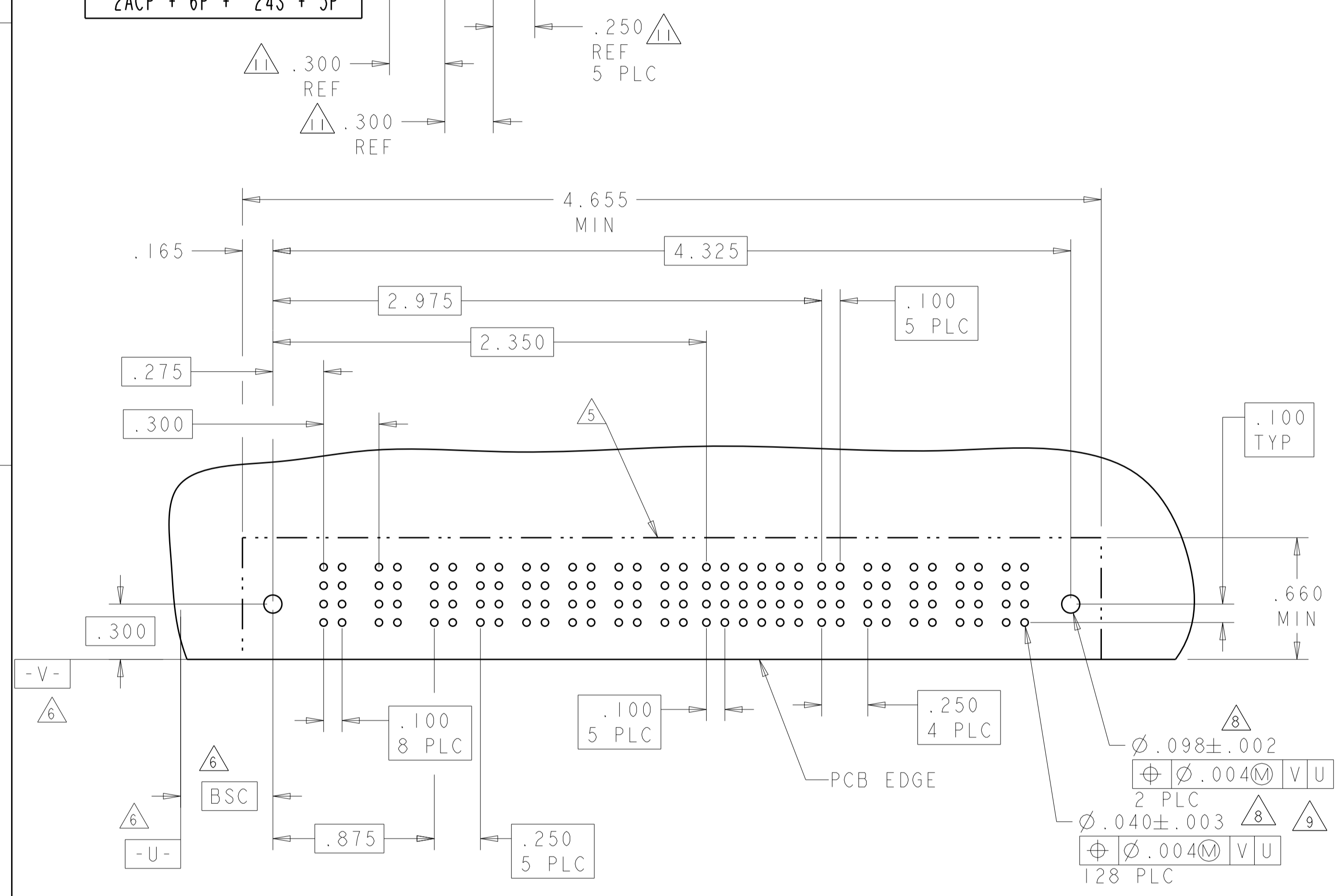
RIGHT ANGLE HEADER ASSEMBLY W/GUIDES MULTI-BEAM XL

SIZE: CAGE CODE: DRAWING NO: A100779 C=6450130

LOC		DIST		REVISIONS			
ES	00	P	LTM	DESCRIPTION	DATE	OWN	APVD
				SEE SHEET 1			

PART NUMBER	ROWS	POWER							SIGNAL						POWER				
		P1	P2	P3	P4	P5	P6	P7	P8	1	2	3	4	5	6	P9	P10	P11	P12
I-6450130-8	D C B A	PM	PM	PM	PM	PM	PM	PM	E	J	J	J	J	E	PM	PM	PM	PM	PM
									K	K	F	K	K	K					
									N	N	N	G	N	N					
									H	S	S	S	S	H					

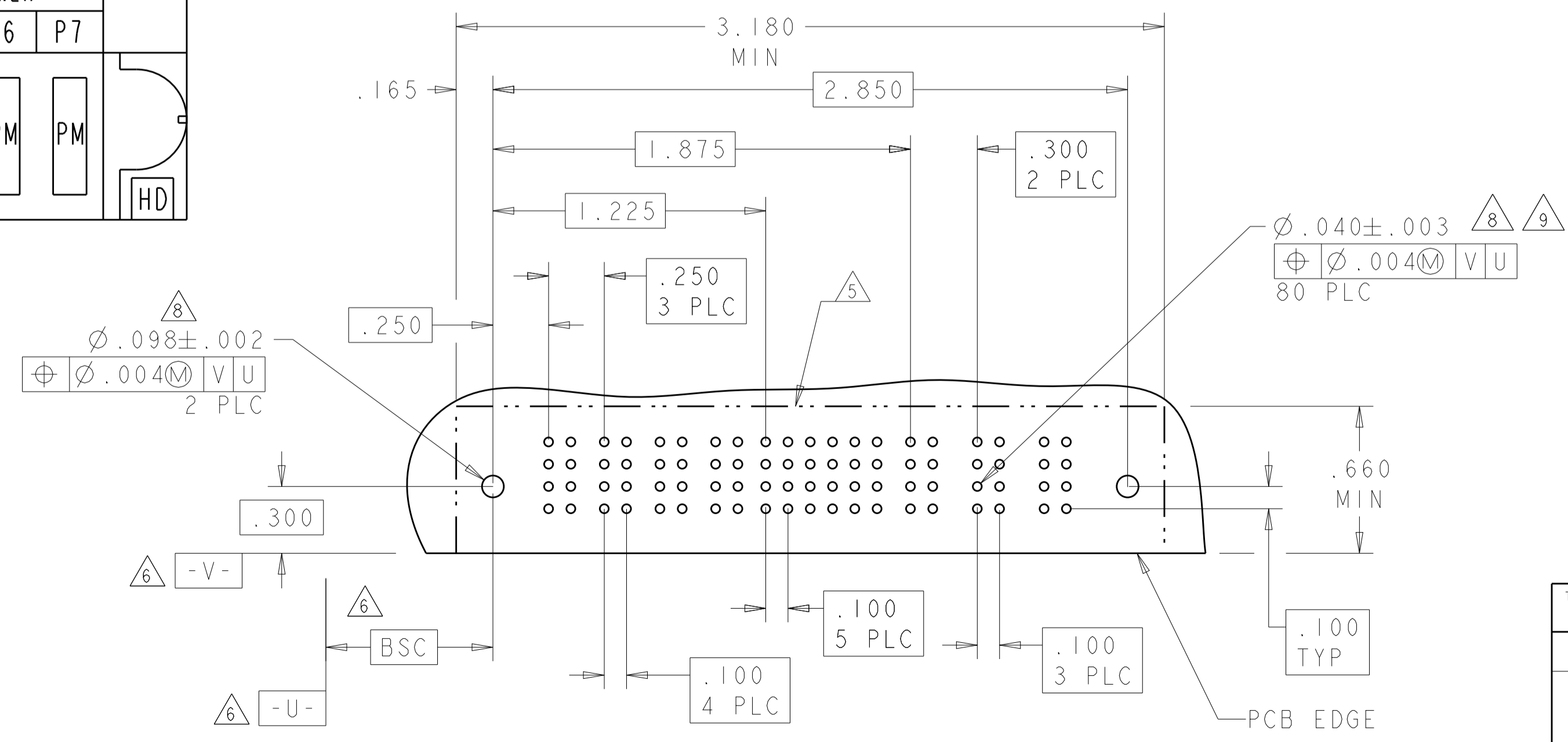
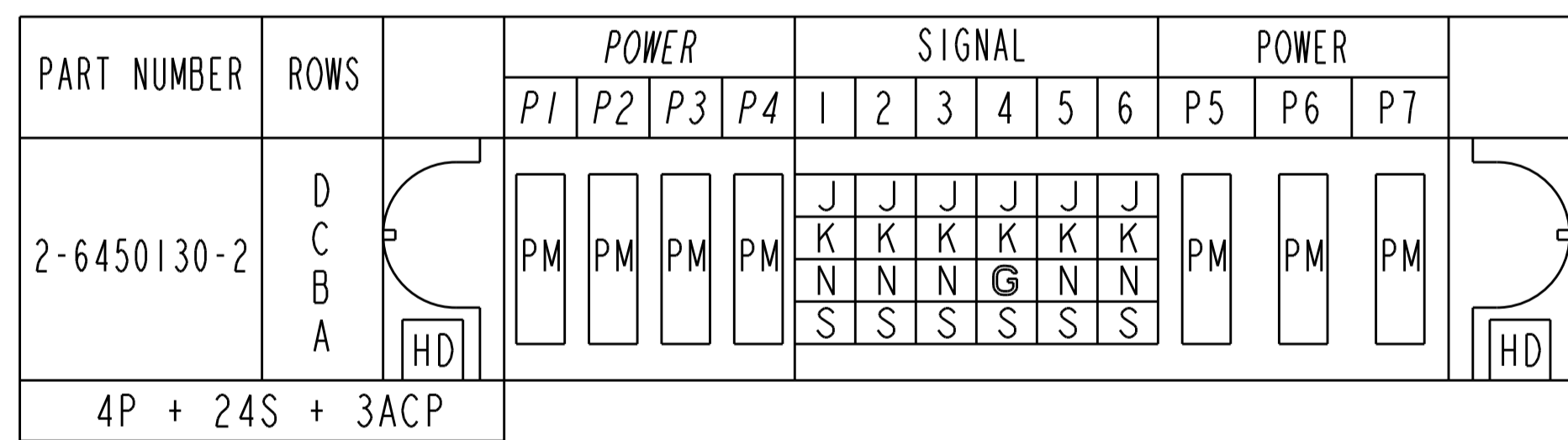
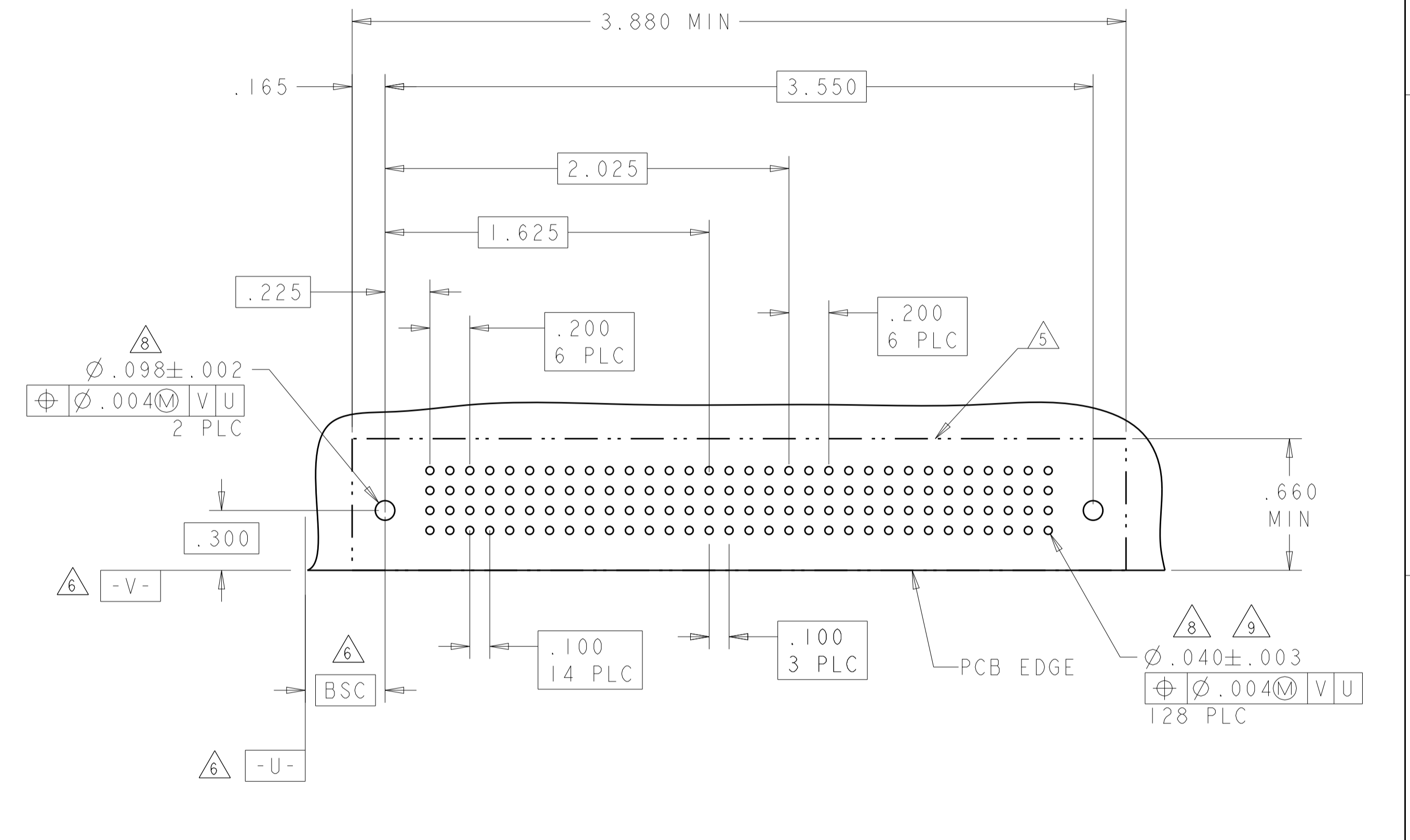
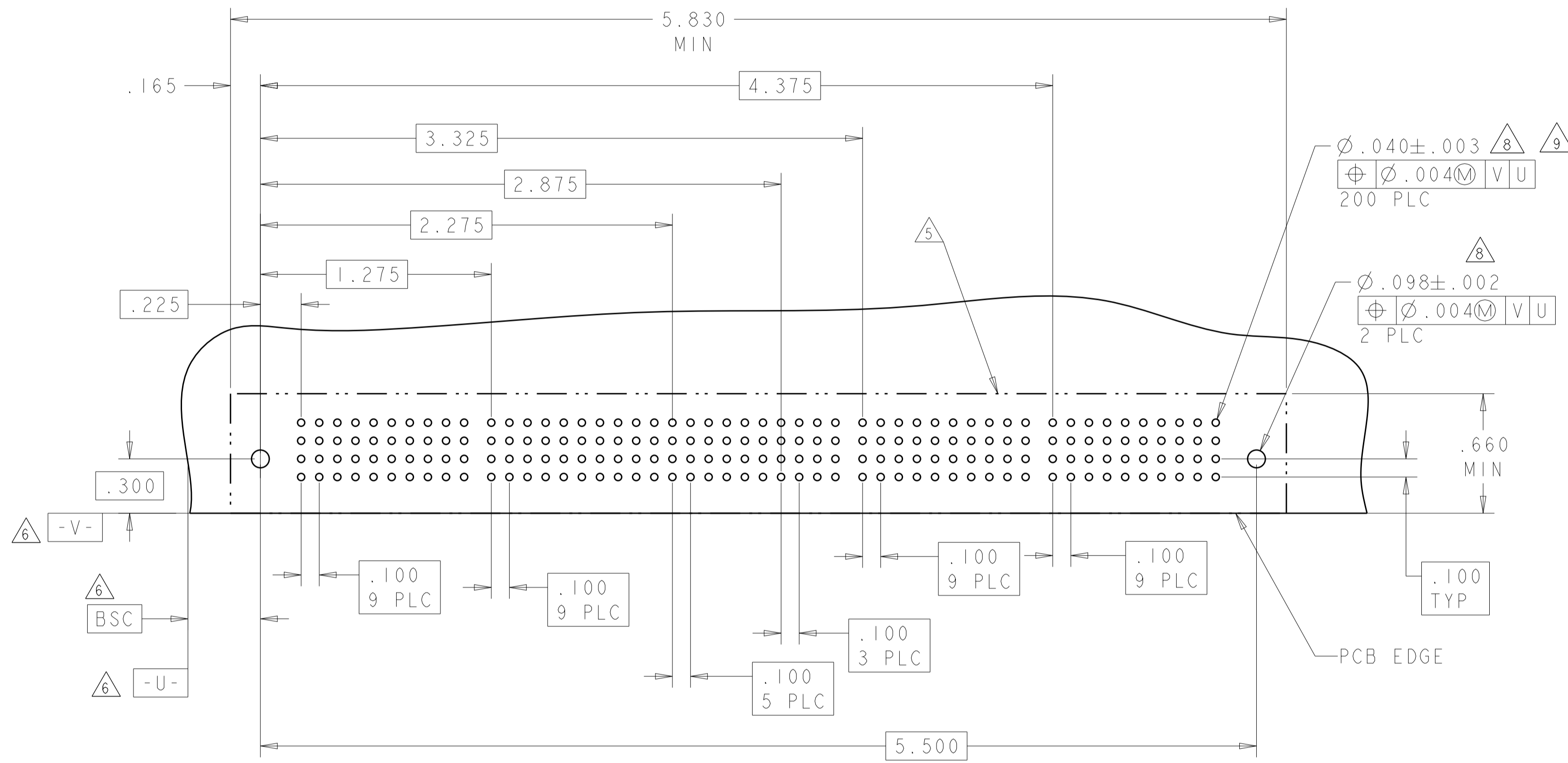
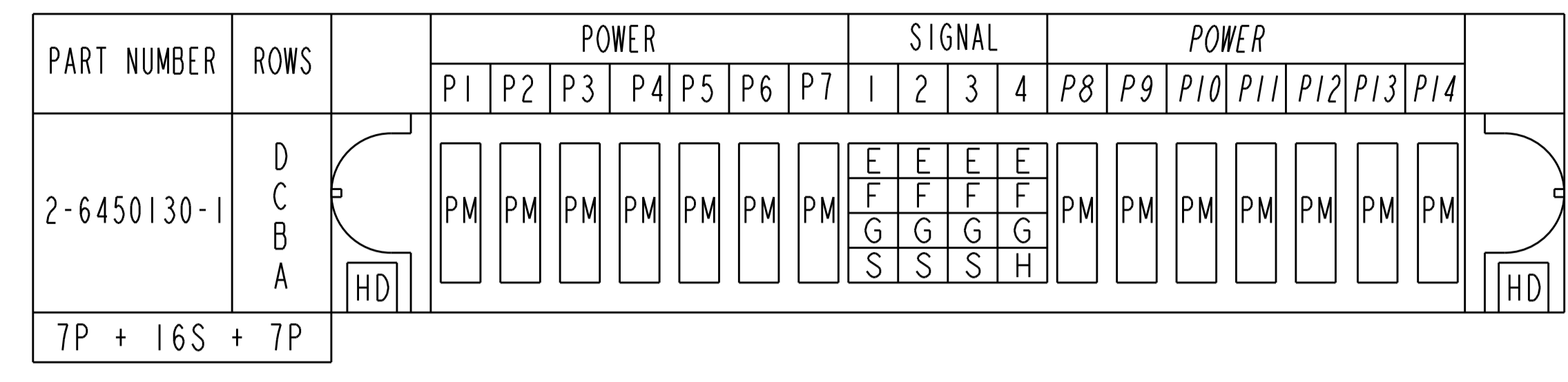
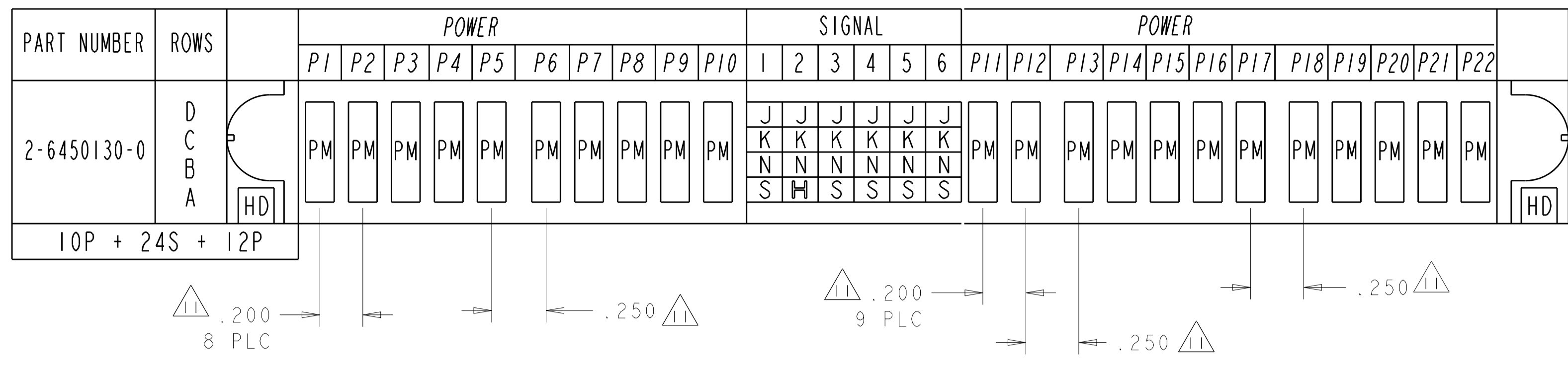
PART NUMBER	ROWS	POWER		SIGNAL																															POWER					
		P1	P2	1	2	3	4	5	6	7	8	9	10	11	12	13	14	15	16	17	18	19	20	21	22	23	24	25	26	27	28	29	30	31	P3	P4				
I-6450130-9	D C B A	PA	PA	Z	A4	A4	A4	A4	A4	A4	A4	A4	A4	A4	A4	A4	A4	A4	A4	A4	A4	A4	A4	A4	A4	A4	A4	A4	A4	A4	A4	A4	A4	A4	A4	Z	PA	PA		
				Y	A3	A3	A3	A3	A3	A3	A3	A3	A3	A3	A3	A3	A3	A3	A3	A3	A3	A3	A3	A3	A3	A3	A3	A3	A3	A3	A3	A3	A3	A3	A3	A3			Y	
				R	A2	A2	A2	A2	A2	A2	A2	A2	A2	A2	A2	A2	A2	A2	A2	A2	A2	A2	A2	A2	A2	A2	A2	A2	A2	A2	A2	A2	A2	A2	A2	A2			R	A2
				A1	A1	A1	A1	A1	A1	A1	A1	A1	A1	A1	A1	A1	A1	A1	A1	A1	A1	A1	A1	A1	A1	A1	A1	A1	A1	A1	A1	A1	A1	A1	A1	A1			A1	A1



THIS DRAWING IS A CONTROLLED DOCUMENT.

DIMENSIONS:	TOLERANCES UNLESS OTHERWISE SPECIFIED:	OWN: R. GRZYBOWSKI 14FEB2005	CHK: M. PERCHERKE 14FEB2005	APVD: M. PERCHERKE 14FEB2005	NAME: RIGHT ANGLE HEADER ASSEMBLY W/GUIDES MULTI-BEAM XL
INCHES	0 PLC ±.01 1 PLC ±.01 2 PLC ±.01 3 PLC ±.005 4 PLC ±.002	PRODUCT SPEC: 108-1973	APPLICATION SPEC: 114-13038	WEIGHT: -	SIZE: A1
MATERIAL:	FINISH:	Customer Drawing	SCALE: 4:1	SHEET: 7 OF 28	REV: M2

4805 (3/11)



THIS DRAWING IS A CONTROLLED DOCUMENT.

OWN: R. GRZYBOWSKI, 14FEB2005
 CHK: M. PERCHERKE, 14FEB2005
 APVD: M. PERCHERKE, 14FEB2005

TE Connectivity

RIGHT ANGLE HEADER ASSEMBLY W/GUIDES MULTI-BEAM XL

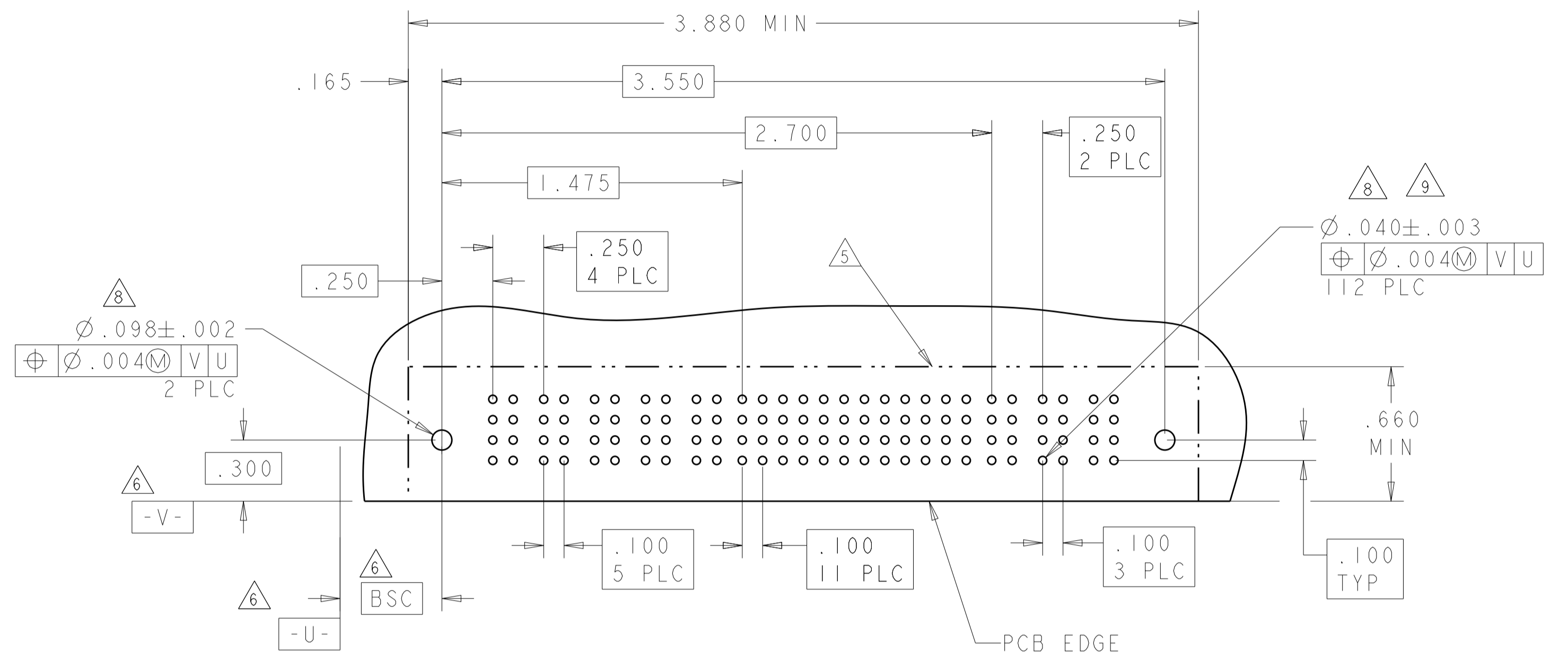
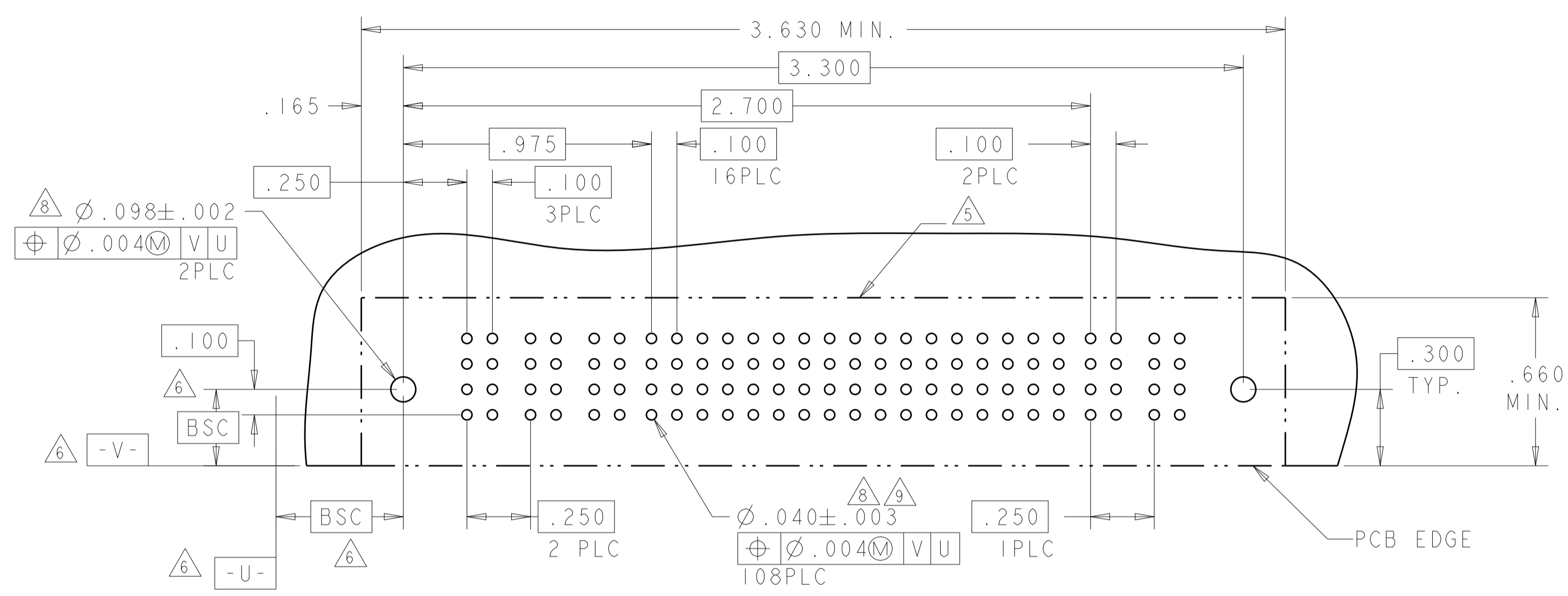
PRODUCT SPEC: 108-1973
 APPLICATION SPEC: 114-13038

SIZE: A100779
 CAGE CODE: C=6450130
 DRAWING NO: 8 OF 28
 SCALE: 4:1
 SHEET: 8 OF 28
 REV: M2

LOC	DIST	REV	DATE	BY	APPV
ES	00				

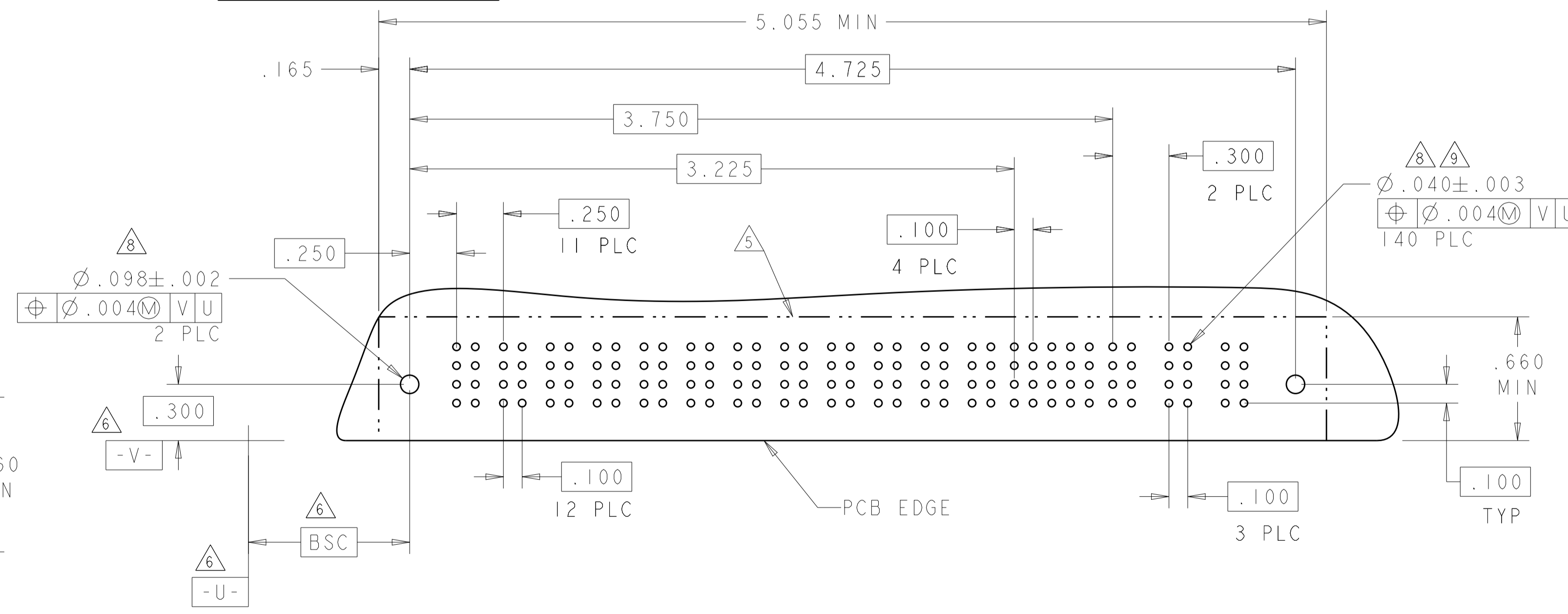
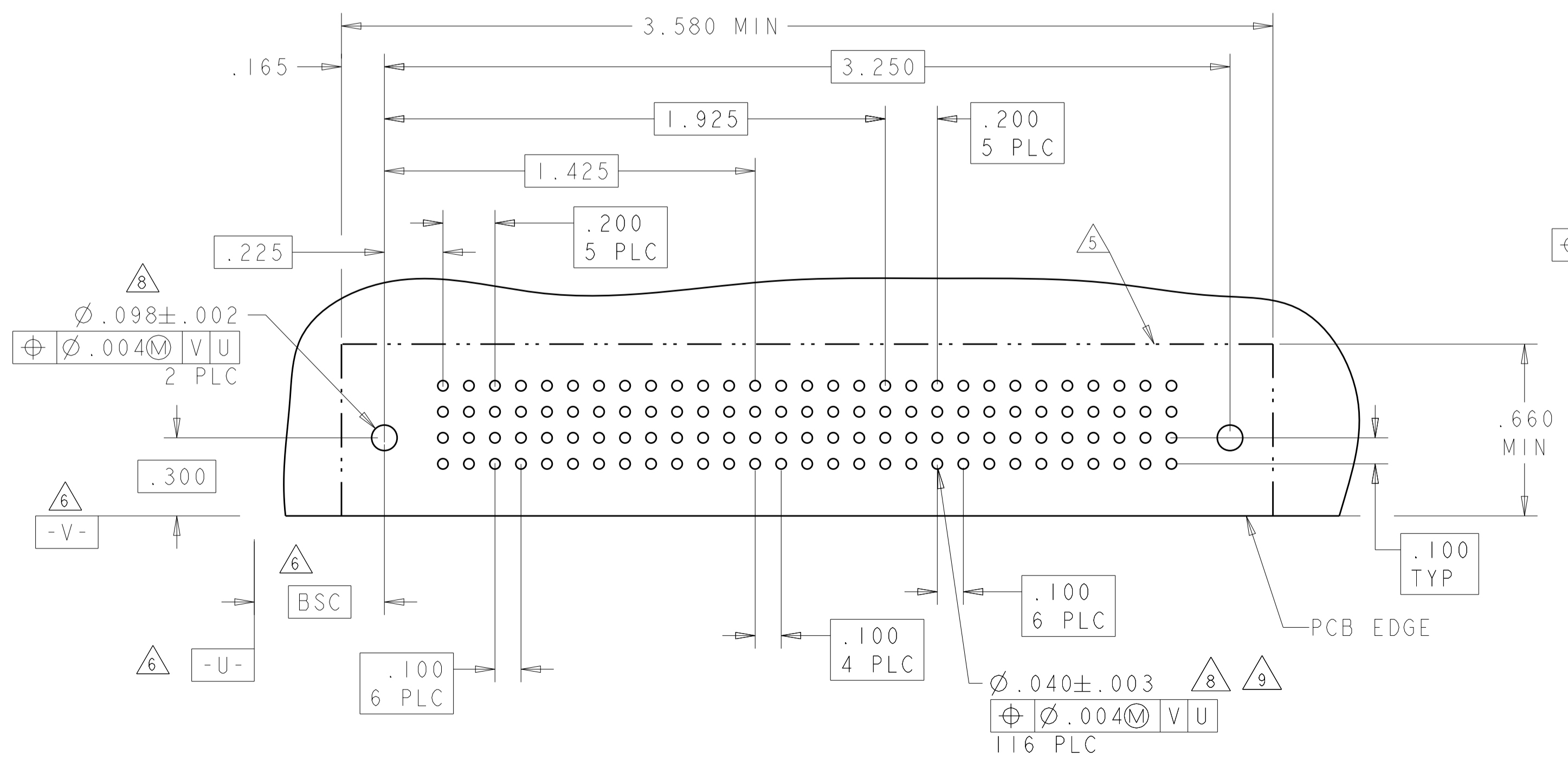
PART NUMBER	ROWS	POWER			SIGNAL													POWER									
		P1	P2	P3	1	2	3	4	5	6	7	8	9	10	11	12	13	14	15	16	17	P4	P5				
2-6450130-8	D	PM	PM	PM	J	J	J	J	J	J	J	J	J	J	J	J	J	J	J	J	J	J	J	J	J	PM	PM
	C				K	K	K	K	K	K	K	K	K	K	K	K	K	K	K	K	K	K	K	K	K		
	B				N	N	N	N	N	N	N	N	N	N	N	N	N	N	N	N	N	N	N	N	N		
A	S	S	S	S	S	S	S	S	S	S	S	S	S	S	S	S	S	S	S	S	S	S	S	HD	HD		
3P + 68S + 2P																											

PART NUMBER	ROWS	POWER					SIGNAL												POWER											
		P1	P2	P3	P4	P5	1	2	3	4	5	6	7	8	9	10	11	12	P6	P7	P8									
3-6450130-2	D	PM	PM	PM	PM	PM	J	J	J	J	J	J	J	J	J	J	J	J	J	J	J	J	J	J	J	PM	PM	PM		
	C						K	K	K	K	K	K	K	K	K	K	K	K	K	K	K	K	K	K	K				K	K
	B						N	N	N	N	N	N	N	N	N	N	N	N	N	N	N	N	N	N	N				N	N
A	S	S	S	S	S	S	S	S	S	S	S	S	S	S	S	S	S	S	S	S	S	S	H	HD	HD					
5P + 48S + 3P																														



PART NUMBER	ROWS	POWER						SIGNAL					POWER						
		P1	P2	P3	P4	P5	P6	1	2	3	4	5	P7	P8	P9	P10	P11	P12	
2-6450130-3	D	PM	PM	PM	PM	PM	E	J	J	J	J	PM	PM	PM	PM	PM	PM	PM	
	C						F	K	K	K	K								
	B						G	N	N	N	N								
	A						H	S	S	S	H								HD
6P + 20S + 6P																			

PART NUMBER	ROWS	POWER												SIGNAL					POWER														
		P1	P2	P3	P4	P5	P6	P7	P8	P9	P10	P11	P12	1	2	3	4	5	P13	P14	P15												
3-6450130-6	D	PM	PM	PM	PM	PM	PM	PM	PM	PM	PM	PM	PM	PM	PM	PM	PM	PM	PM	PM	PM	PM	PM	PM	PM	PM	PM	PM					
	C																												E	E	J	J	J
	B																												K	K	F	K	K
	A																												N	N	N	N	N
12P + 20S + 3ACP																																	



THIS DRAWING IS A CONTROLLED DOCUMENT.

OWN: R. GRZYBOWSKI 14FEB2005
 CHK: M. PERCHERKE 14FEB2005
 APV: M. PERCHERKE 14FEB2005

TE Connectivity

RIGHT ANGLE HEADER ASSEMBLY W/GUIDES MULTI-BEAM XL

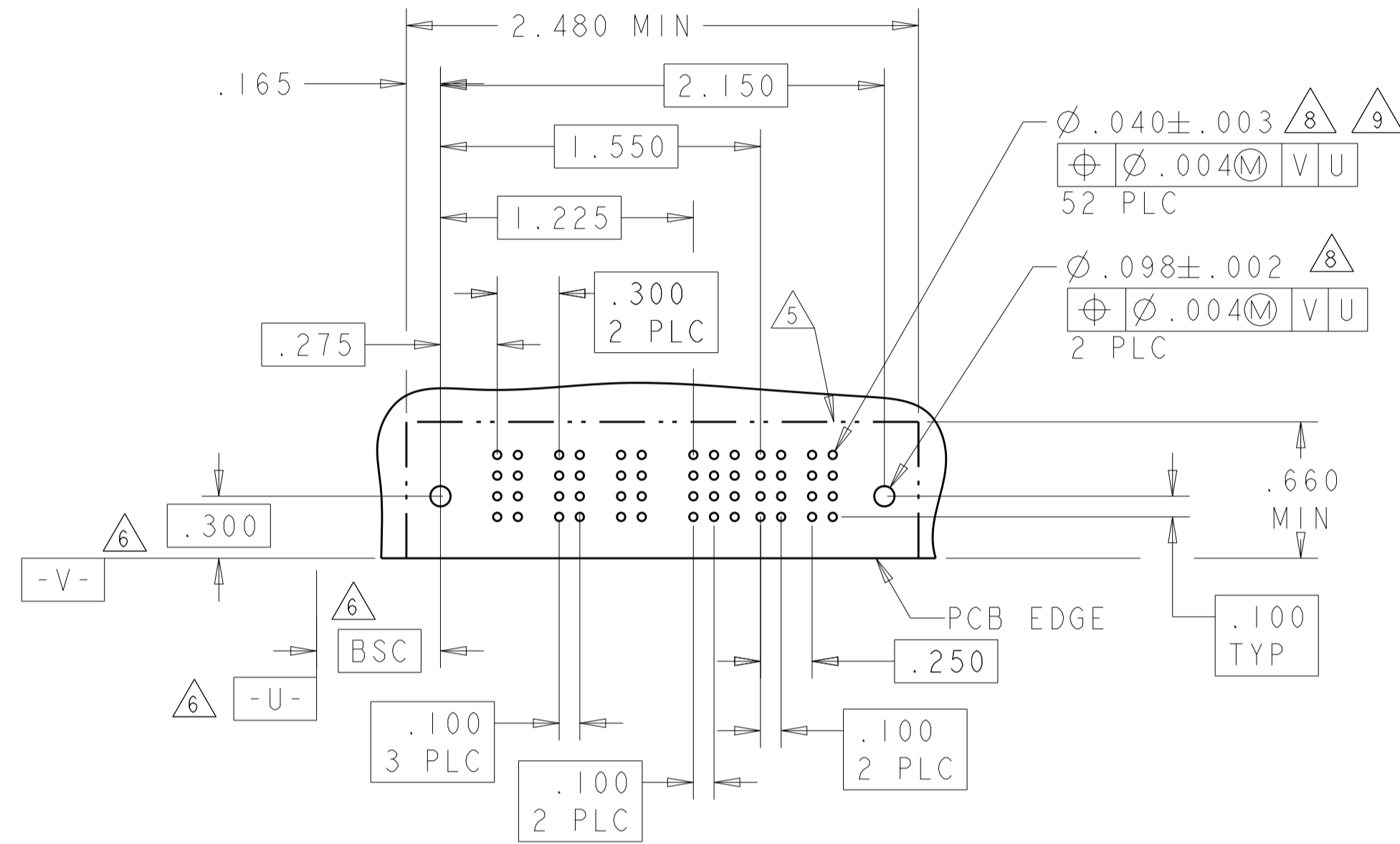
Customer Drawing

SCALE: 4:1 SHEET 9 OF 28 REV: M2

PART NUMBER	ROWS	POWER			SIGNAL				POWER	
		P1	P2	P3	1	2	3	4	P4	P5
3-6450130-9	D C B A	PM	PM	PM	J	J	J		PM	PM
					K	K	K			
					N	N	N			
					S	S	H			

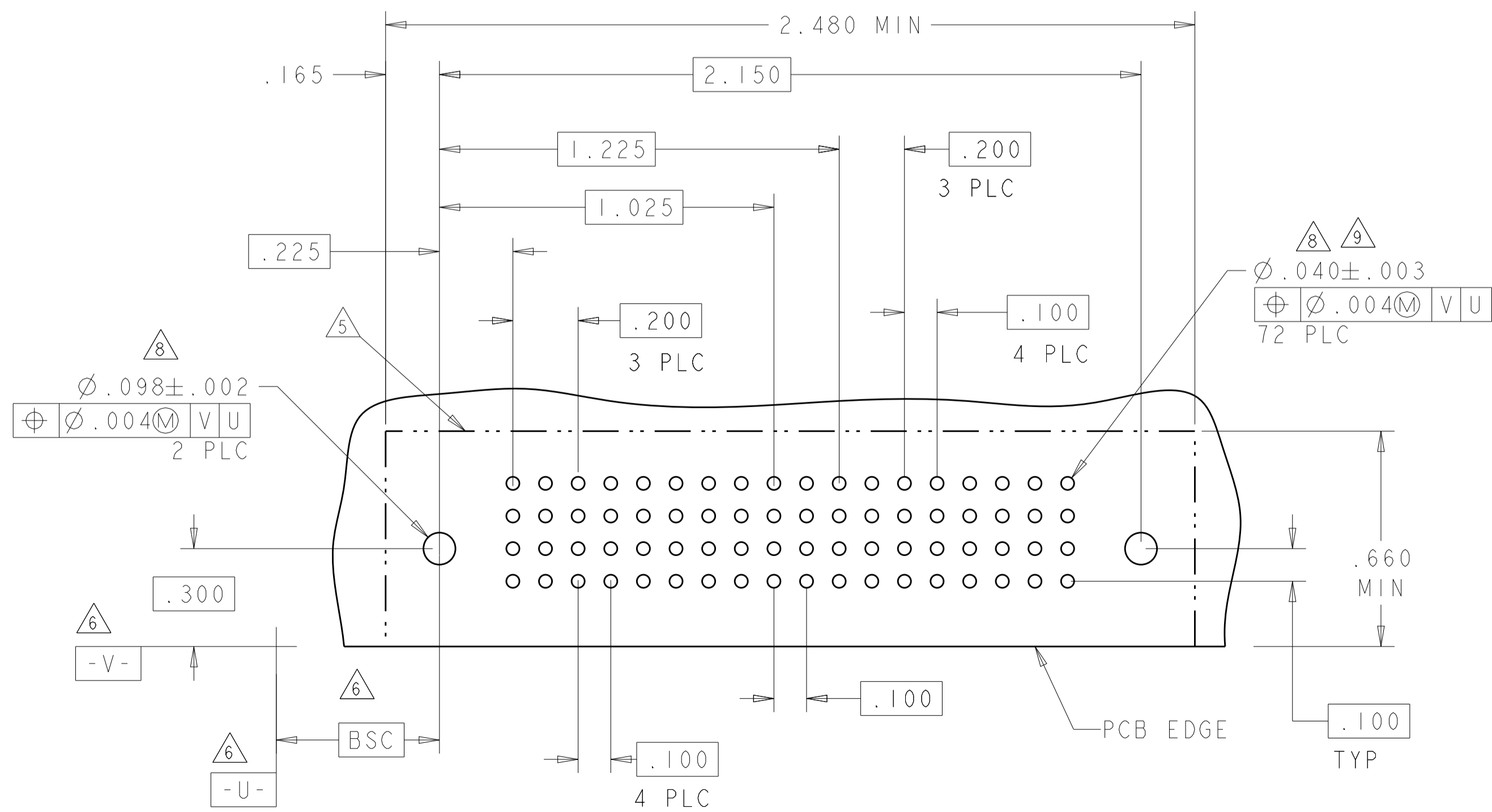
3ACP + 16S + 2P

CONTACTS NOT LOADED



PART NUMBER	ROWS	POWER				SIGNAL				POWER			
		P1	P2	P3	P4	1	2	P5	P6	P7	P8		
4-6450130-0	D C B A	PA	PA	PA	PA	Z	Z	PA	PA	PA	PA		
						Y	Y						
						R	R						
						O	O						

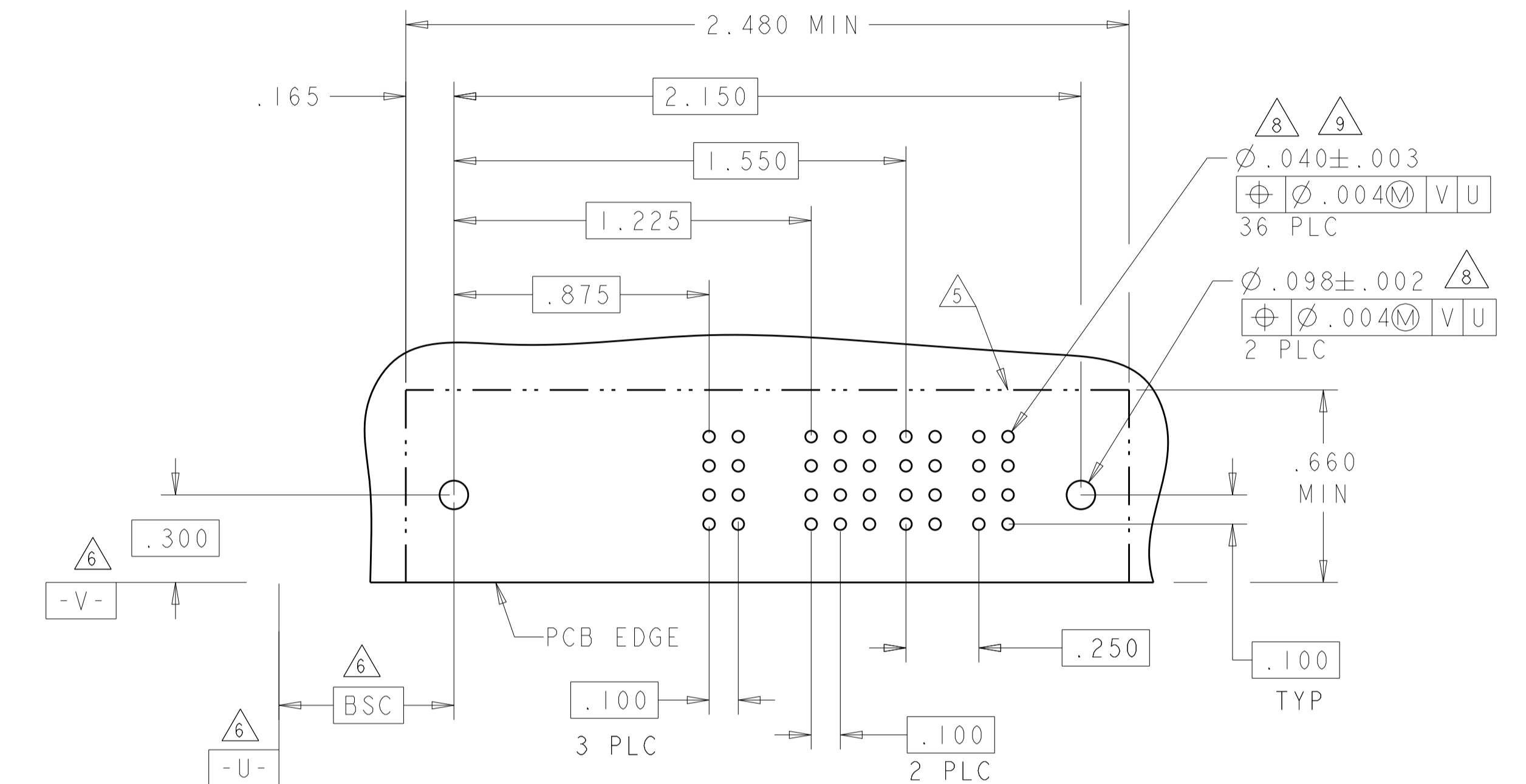
4P + 8S + 4P



LOC	DIST	REV	DATE	BY	APPV
ES	00				

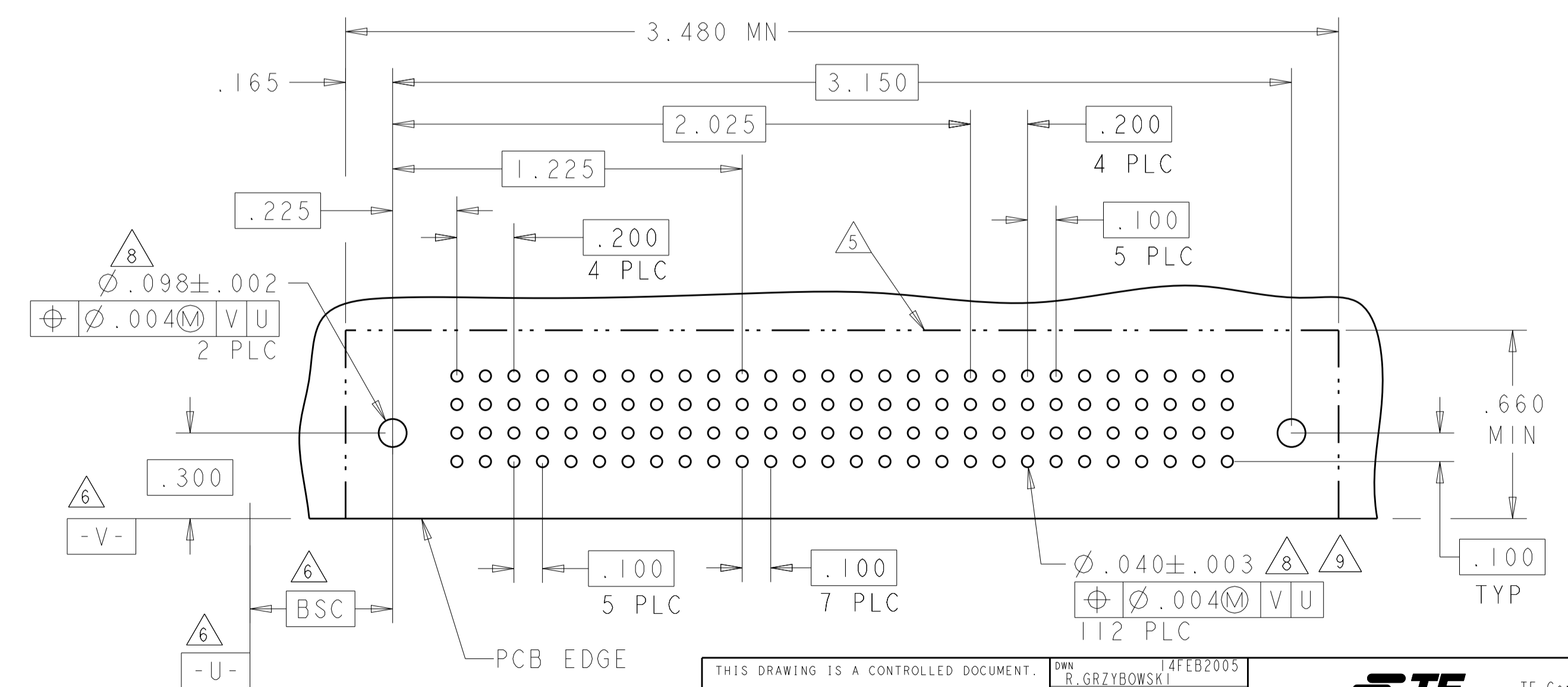
PART NUMBER	ROWS	POWER			SIGNAL				POWER	
		P1	P2	P3	1	2	3	4	P4	P5
4-6450130-3	D C B A			PM	J	J	J		PM	PM
					K	K	K			
					N	N	N			
					S	S	H			

3ACP + 16S + 2P



PART NUMBER	ROWS	POWER					SIGNAL								POWER				
		P1	P2	P3	P4	P5	1	2	3	4	5	6	7	8	P6	P7	P8	P9	P10
4-6450130-5	D C B A	PM	PM	PM	PM	PM	J	J	J	J	J	J	J	J	PM	PM	PM	PM	PM
							K	K	K	K	K	K	K						
							N	N	N	N	N	N	N						
							H	H	H	H	H	H	H						

5P + 32S + 5P

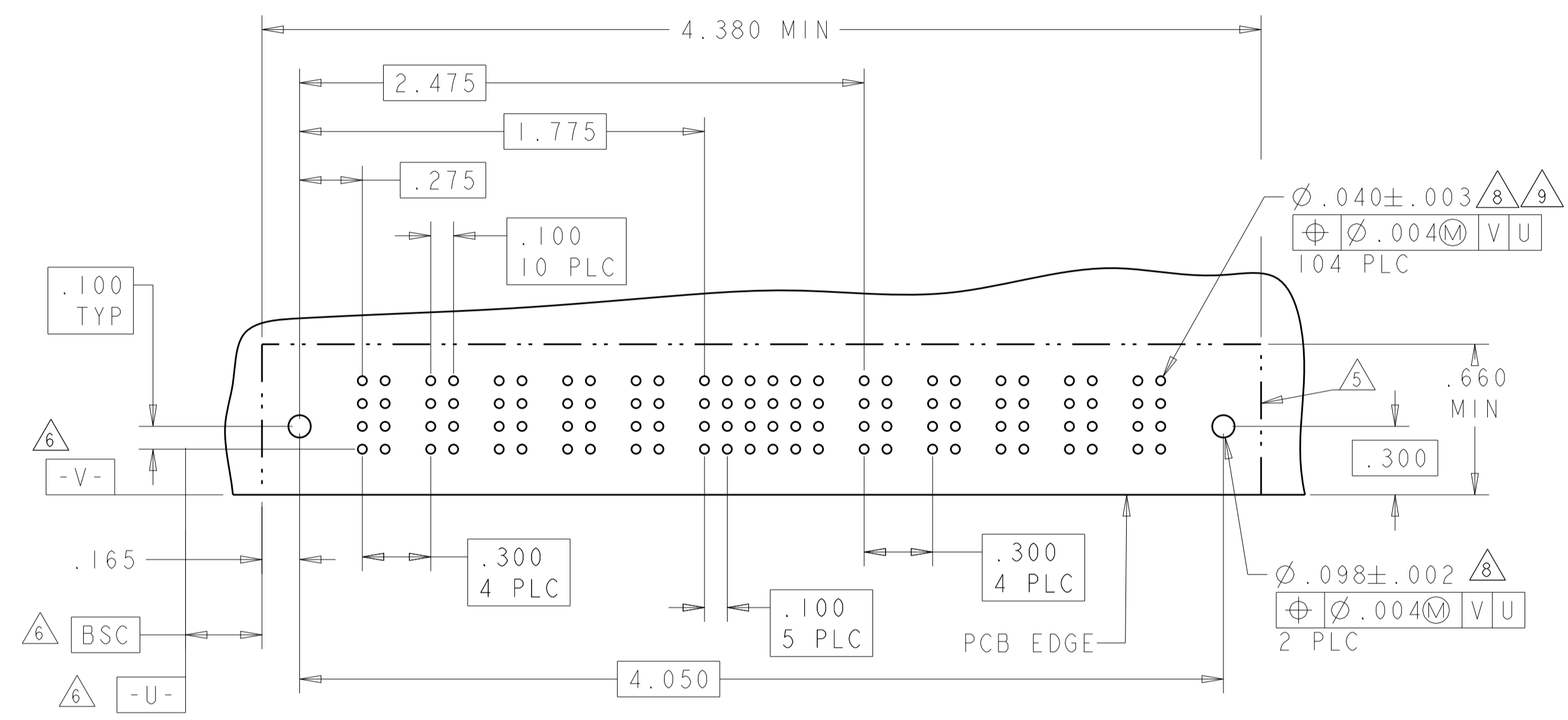
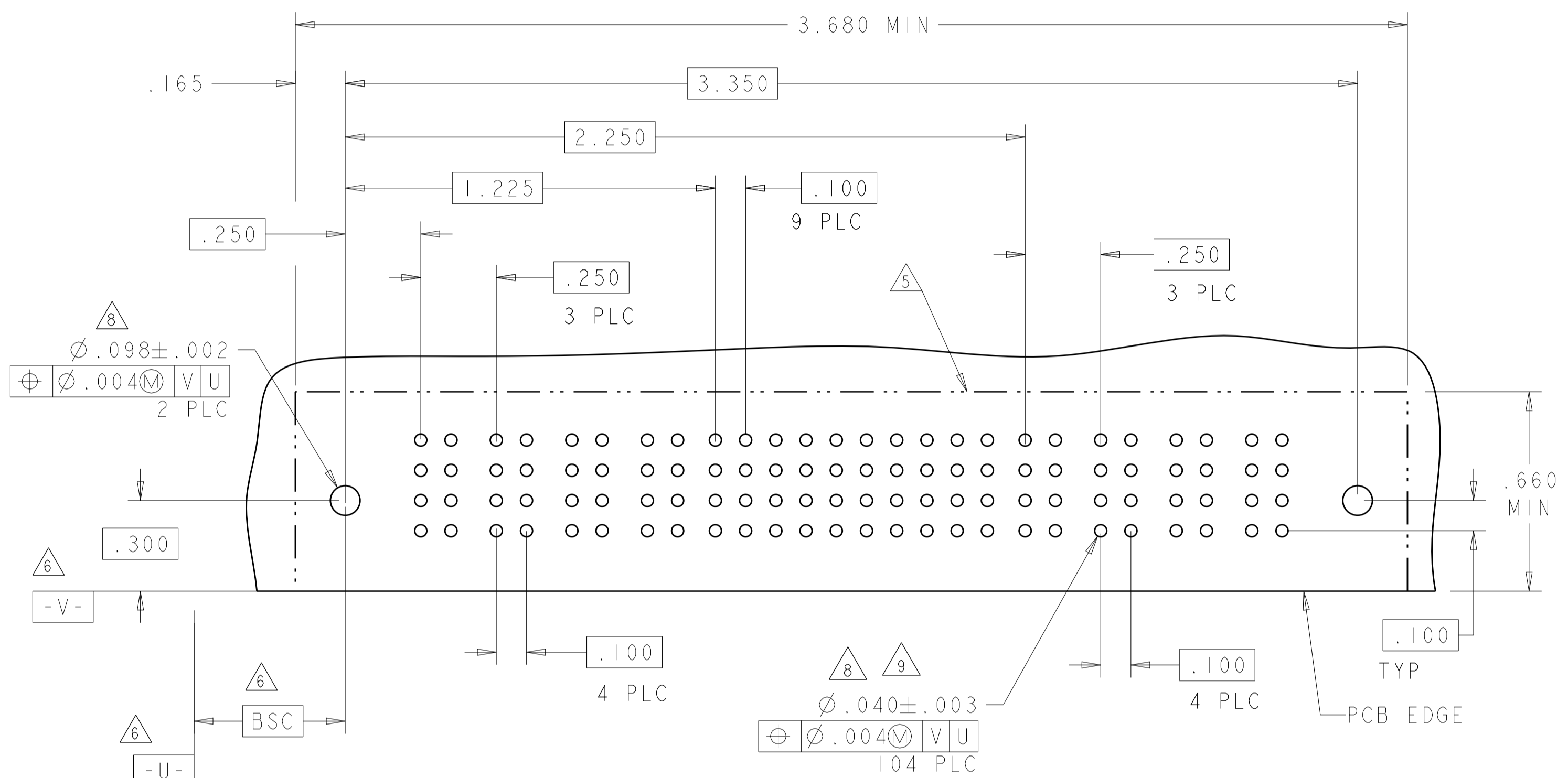


THIS DRAWING IS A CONTROLLED DOCUMENT.

DIMENSIONS: INCHES	TOLERANCES UNLESS OTHERWISE SPECIFIED:	OWN: R. GRZYBOWSKI 14FEB2005	CHK: M. PERCHERKE 14FEB2005	APV: M. PERCHERKE 14FEB2005	NAME: RIGHT ANGLE HEADER ASSEMBLY W/GUIDES MULTI-BEAM XL
	0 PLC ±.01	PRODUCT SPEC	108-1973	APPLICATION SPEC	SIZE: CAGE CODE: DRAWING NO: A100779C=6450130
	1 PLC ±.01	114-13038	WEIGHT	SCALE: 4:1	SHEET 10 OF 28
	2 PLC ±.01	Customer Drawing	REVISIONS	REV: M2	

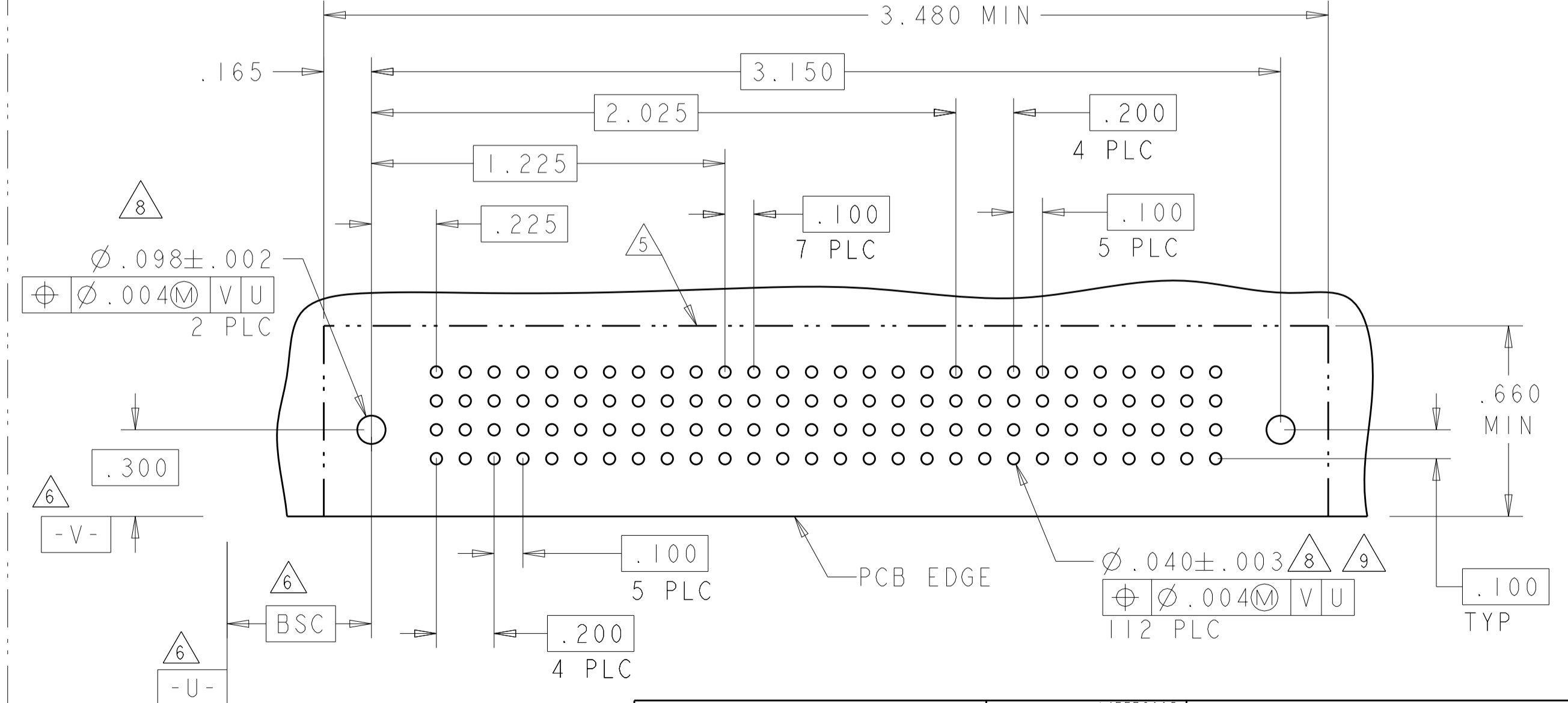
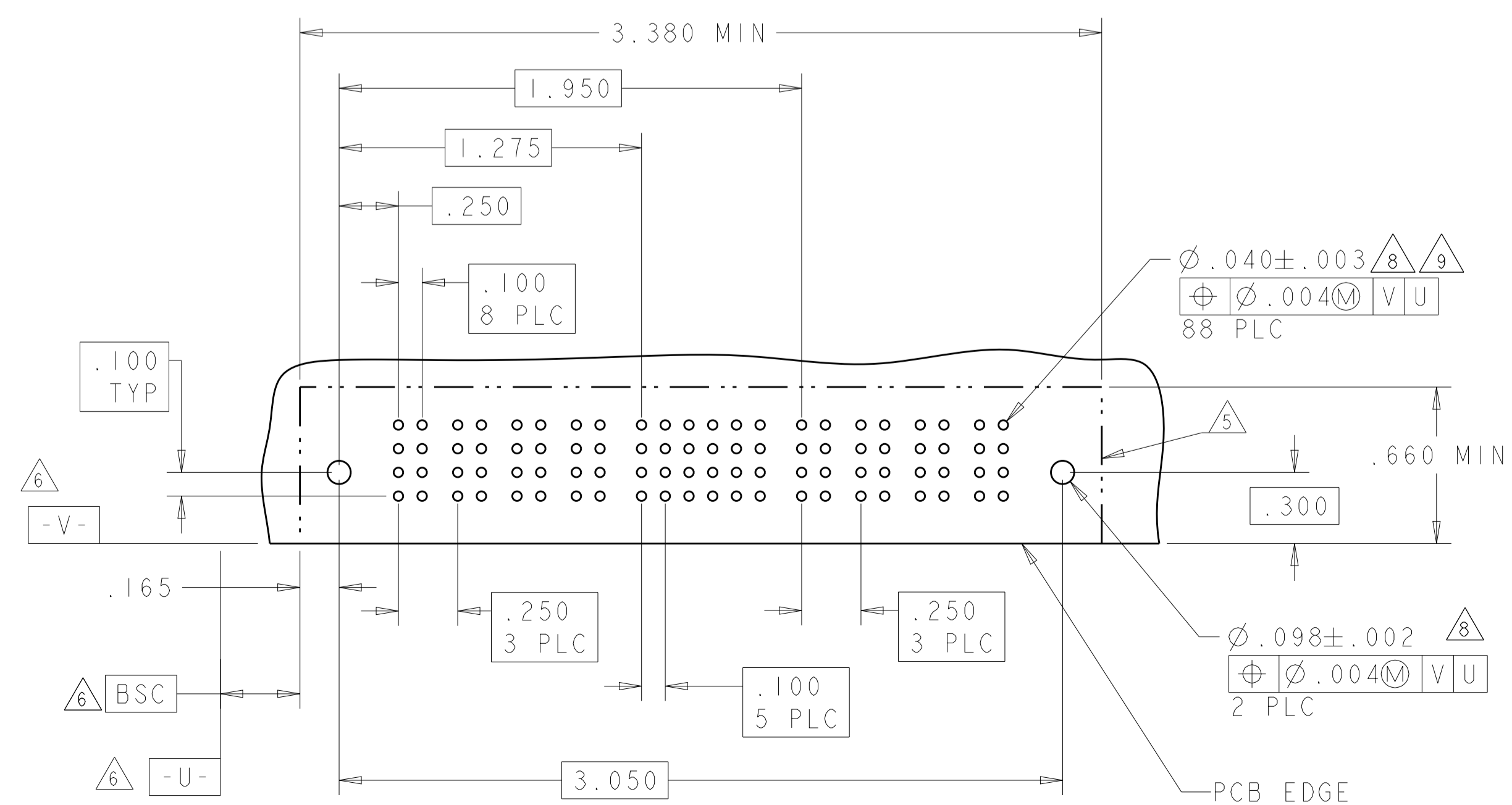
PART NUMBER	ROWS	POWER				SIGNAL										POWER								
		P1	P2	P3	P4	1	2	3	4	5	6	7	8	9	10	P5	P6	P7	P8					
4-6450130-8	D C B A	PM	PM	PM	PM	J	J	J	J	J	J	J	J	J	J	J	J	J	J	J	J	J		
						K	K	K	K	K	K	K	K	K	K	K	K	K	K	K	K	K	K	
						N	N	N	N	N	N	N	N	N	N	N	N	N	N	N	N	N	N	N
						H	S	S	S	S	S	S	S	S	S	S	S	S	S	S	S	S	S	H
4P + 40S + 4P				HD																				

PART NUMBER	ROWS	POWER					SIGNAL										POWER										
		P1	P2	P3	P4	P5	1	2	3	4	5	6	7	8	9	10	P6	P7	P8	P9	P10						
5-6450130-0	D C B A	PM	PM	PM	PM	PM	J	J	J	J	J	J	J	J	J	J	J	J	J	J	J	J	J	J			
							K	K	K	K	K	K	K	K	K	K	K	K	K	K	K	K	K	K	K	K	
							N	N	N	N	N	N	N	N	N	N	N	N	N	N	N	N	N	N	N	N	N
							H	H	H	H	H	H	H	H	H	H	H	H	H	H	H	H	H	H	H	H	H
5ACP + 24S + 5ACP					HD																						



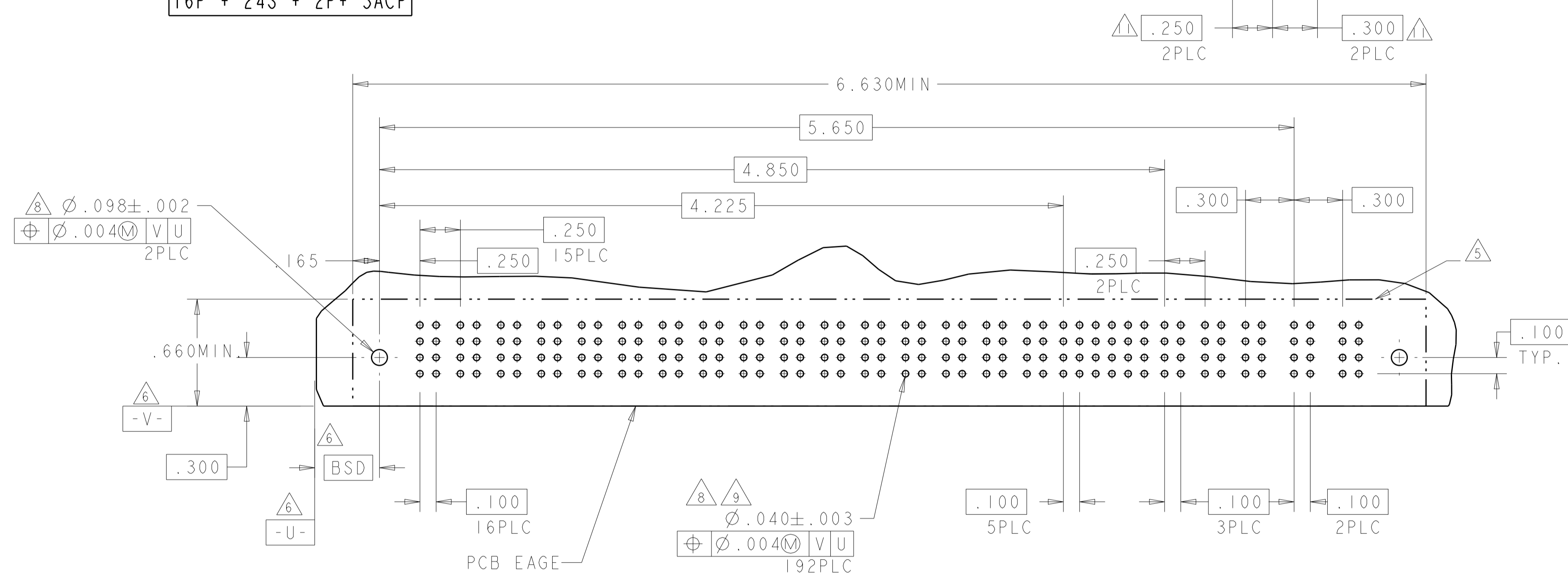
PART NUMBER	ROWS	POWER				SIGNAL										POWER										
		P1	P2	P3	P4	1	2	3	4	5	6	P5	P6	P7	P8											
4-6450130-9	D C B A	PM	PM	PM	PM	J	J	J	J	J	J	J	J	J	J	J	J	J	J	J	J	J	J			
						K	K	K	K	K	K	K	K	K	K	K	K	K	K	K	K	K	K	K	K	
						N	N	N	N	N	N	N	N	N	N	N	N	N	N	N	N	N	N	N	N	N
						H	H	H	H	H	H	H	H	H	H	H	H	H	H	H	H	H	H	H	H	H
4P + 24S + 4P				HD																						

PART NUMBER	ROWS	POWER					SIGNAL										POWER										
		P1	P2	P3	P4	P5	1	2	3	4	5	6	7	8	P6	P7	P8	P9	P10								
5-6450130-5	D C B A	PM	PM	PM	PM	PM	J	J	J	J	J	J	J	J	J	J	J	J	J	J	J	J	J	J			
							K	K	K	K	K	K	K	K	K	K	K	K	K	K	K	K	K	K	K	K	
							N	N	N	N	N	N	N	N	N	N	N	N	N	N	N	N	N	N	N	N	N
							H	H	H	H	H	H	H	H	H	H	H	H	H	H	H	H	H	H	H	H	H
5P + 32S + 5P					HD																						

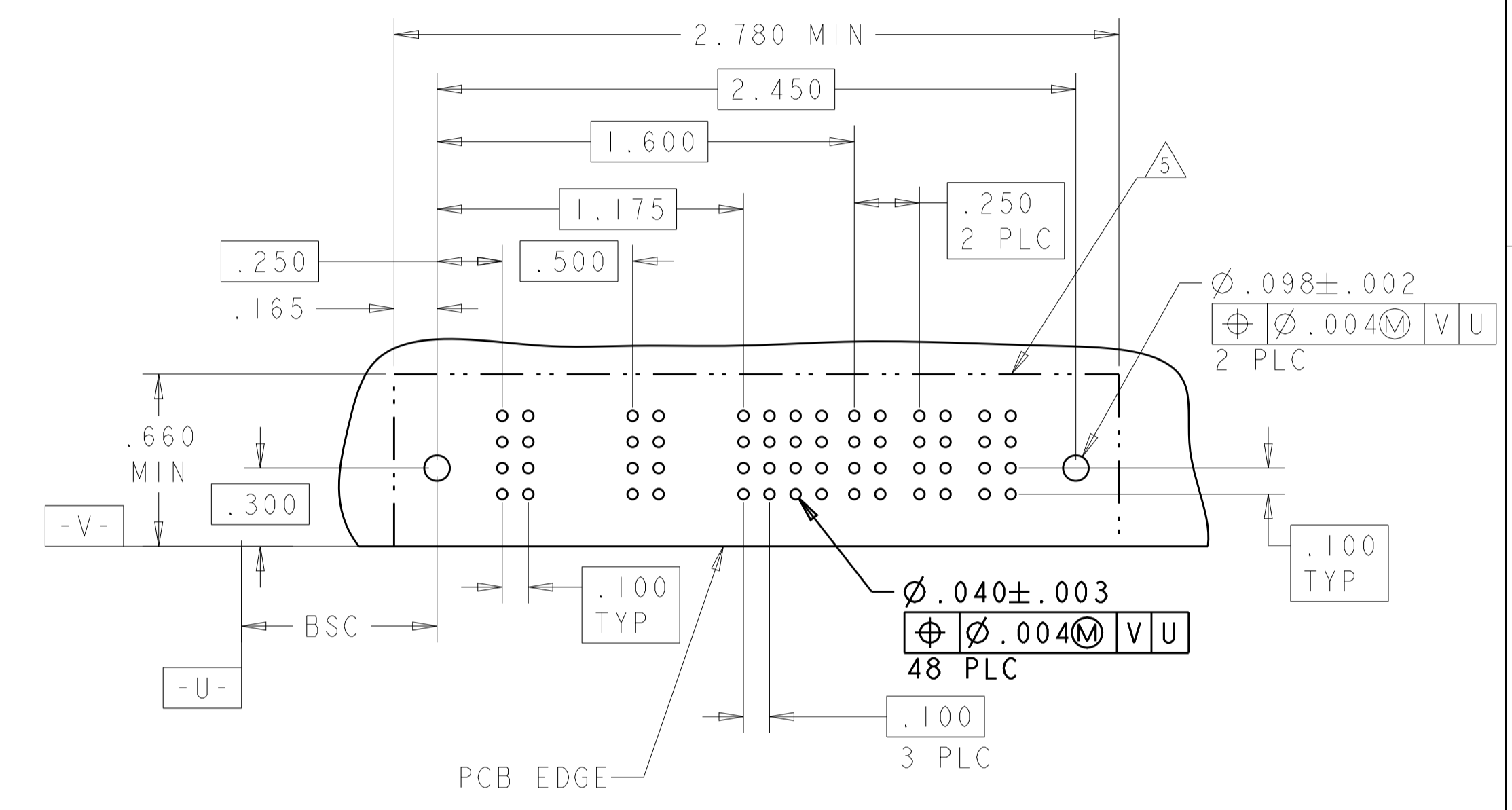


THIS DRAWING IS A CONTROLLED DOCUMENT.		OWN	R. GRZYBOWSKI	14FEB2005	TE Connectivity
DIMENSIONS: INCHES		CHK	M. PERCHERKE	14FEB2005	
TOLERANCES UNLESS OTHERWISE SPECIFIED:		APVD	M. PERCHERKE	14FEB2005	NAME
0 PLC ±.01		PRODUCT SPEC			RIGHT ANGLE HEADER ASSEMBLY W/GUIDES
1 PLC ±.01		APPLICATION SPEC			MULTI-BEAM XL
2 PLC ±.005		SIZE			CAGE CODE
3 PLC ±.005		DRAWING NO			RESTRICTED TO
4 PLC ±.0020		114-13038			A100779
ANGLES ±.020		WEIGHT			Customer Drawing
		SCALE			4:1
		SHEET			11
		OF			28
		REV			M2

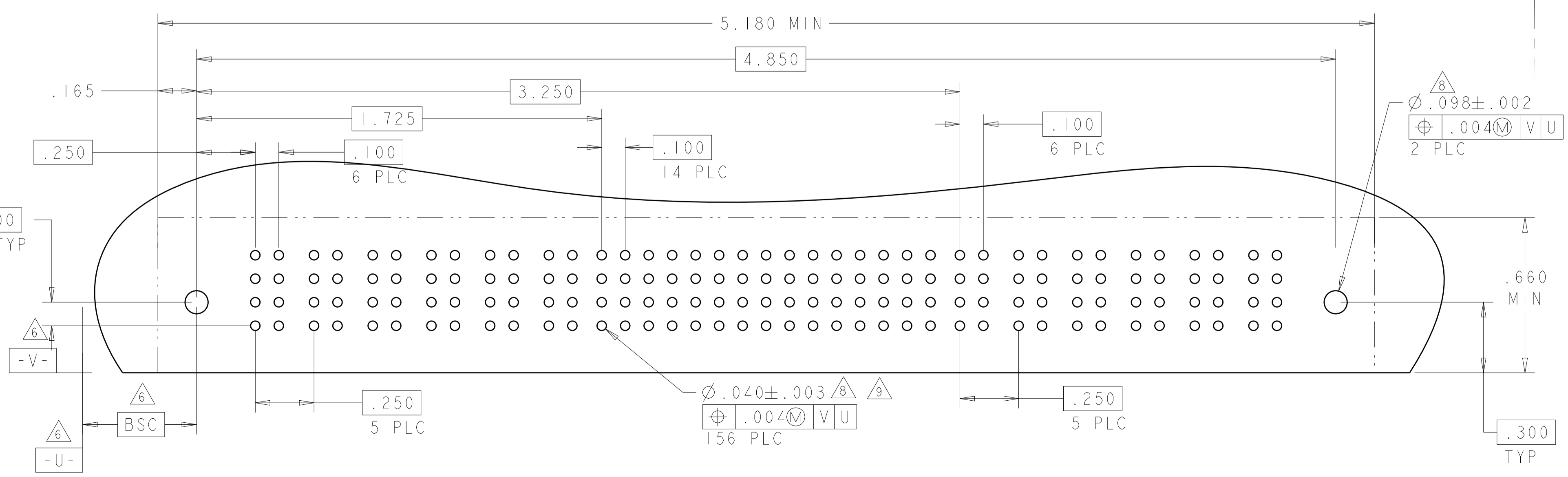
PART NUMBER	ROWS	POWER																SIGNAL						POWER				
		P1	P2	P3	P4	P5	P6	P7	P8	P9	P10	P11	P12	P13	P14	P15	P16	1	2	3	4	5	6	P17	P18	P19	P20	P21
7-6450130-4	D	PM	PM	PM	PM	PM	PM	PM	PM	PM	PM	PM	PM	PM	PM	PM	E	J	J	J	J	J	PM	PM	PM	PM	PM	
	C	PM	PM	PM	PM	PM	PM	PM	PM	PM	PM	PM	PM	PM	PM	K	K	K	K	K	K	PM	PM	PM	PM	PM		
	B	PM	PM	PM	PM	PM	PM	PM	PM	PM	PM	PM	PM	PM	PM	N	N	N	N	N	N	PM	PM	PM	PM	PM		
A	PM	PM	PM	PM	PM	PM	PM	PM	PM	PM	PM	PM	PM	PM	S	S	S	S	S	H	PM	PM	PM	PM	PM			
HD		16P + 24S + 2P + 3ACP																HD										



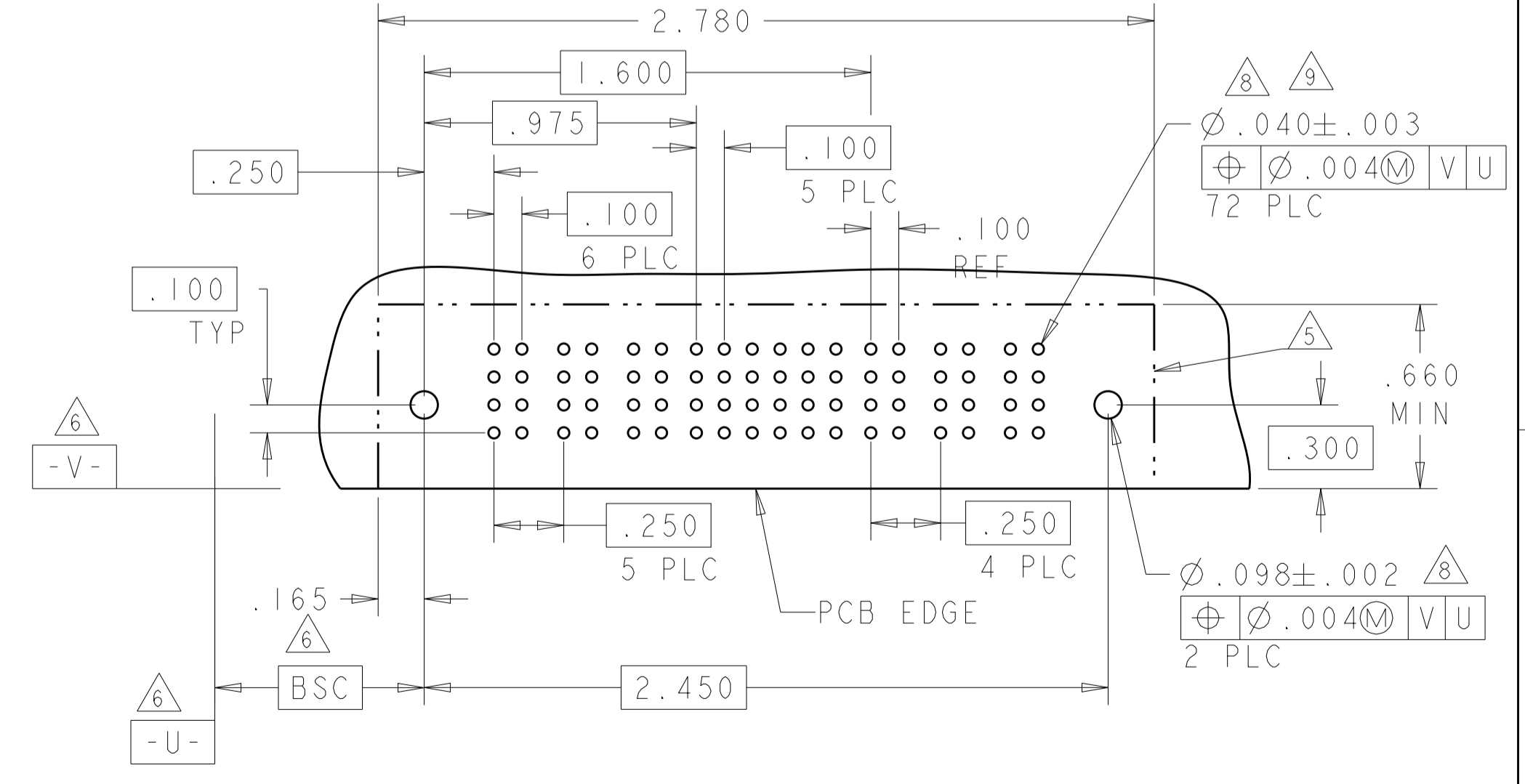
PART NUMBER	ROWS	POWER			SIGNAL						POWER		
		P1	P2	P3	1	2	3	4	5	6	P4	P5	P6
7-6450130-5	D	PM	PM	PM		J	J	J	J	J	PM	PM	PM
	C	PM	PM	PM		K	K	K	K	K	PM	PM	PM
	B	PM	PM	PM		N	N	N	N	N	PM	PM	PM
A	PM	PM	PM		S	S	S	S	S	PM	PM	PM	
HD		3P + 24S + 3P			NO CONTACTS LOADED								



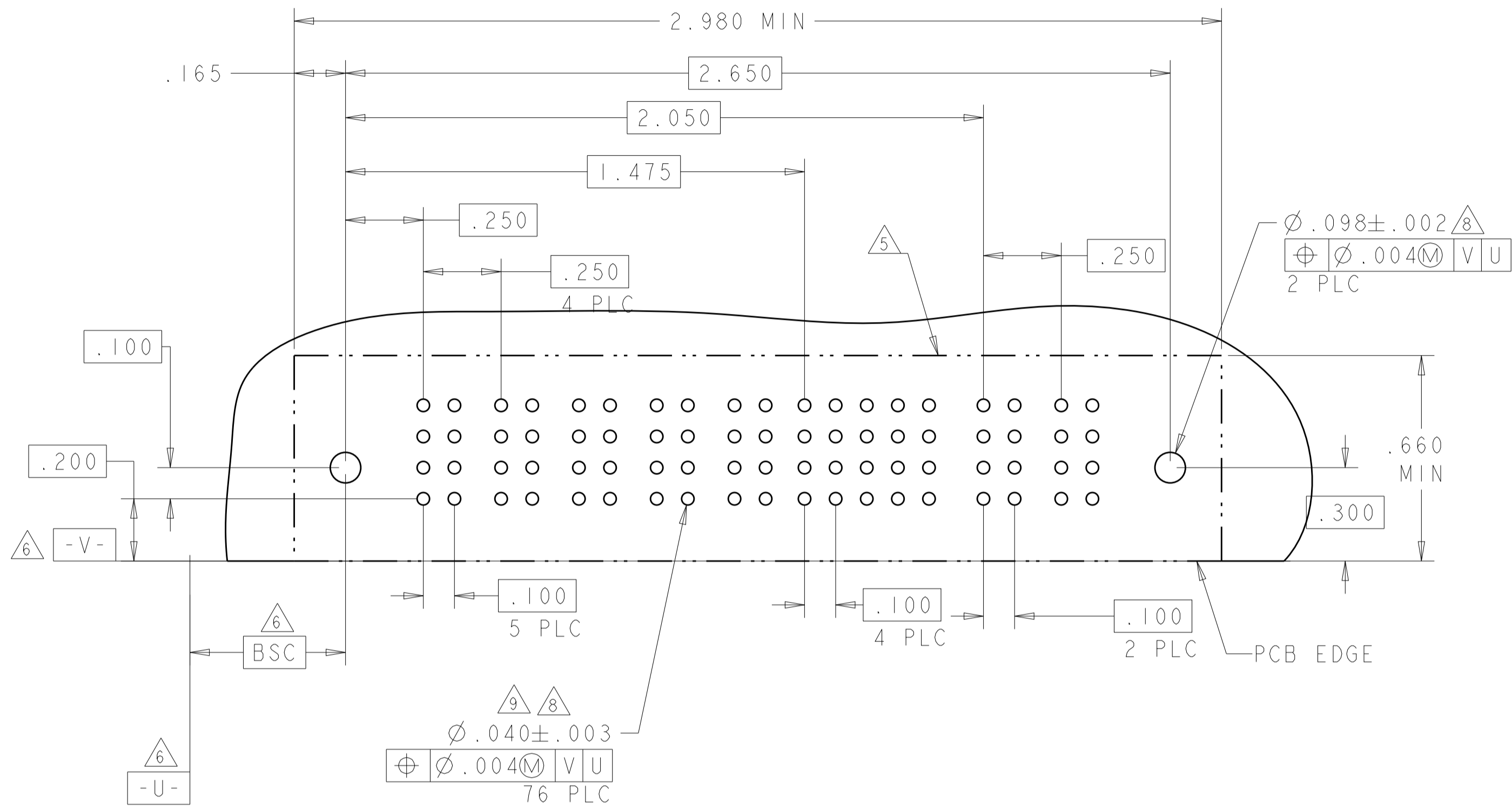
PART NUMBER	ROWS	POWER						SIGNAL															POWER								
		P1	P2	P3	P4	P5	P6	1	2	3	4	5	6	7	8	9	10	11	12	13	14	15	P7	P8	P9	P10	P11	P12			
7-6450130-7	D	PM	PM	PM	PM	PM	PM	J	J	J	J	J	J	J	J	J	J	J	J	J	J	J	J	J	J	PM	PM	PM	PM	PM	PM
	C	PM	PM	PM	PM	PM	PM	K	K	K	K	K	K	K	K	K	K	K	K	K	K	K	K	K	K	PM	PM	PM	PM	PM	PM
	B	PM	PM	PM	PM	PM	PM	N	N	N	N	N	N	N	N	N	N	N	N	N	N	N	N	N	N	PM	PM	PM	PM	PM	PM
A	PM	PM	PM	PM	PM	PM	S	S	S	S	S	S	S	S	S	S	S	S	S	S	S	S	S	S	PM	PM	PM	PM	PM	PM	
HD		6P + 60S + 6P						HD															HD								



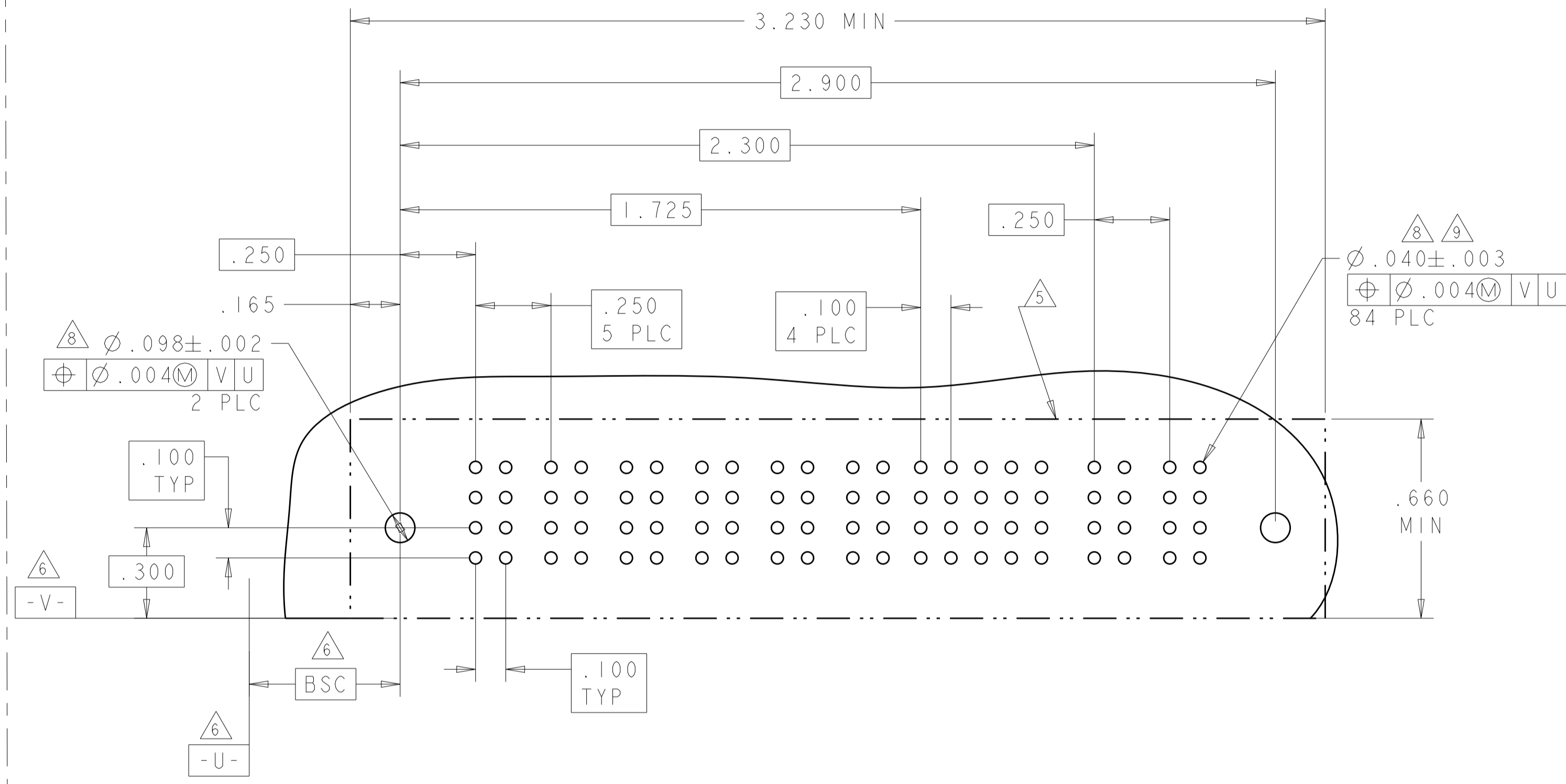
PART NUMBER	ROWS	POWER			SIGNAL						POWER					
		P1	P2	P3	1	2	3	4	5	6	P4	P5	P6			
7-6450130-8	D	PM	PM	PM	J	J	J	J	J	E	PM	PM	PM			
	C	PM	PM	PM	K	K	K	K	K	K	PM	PM	PM			
	B	PM	PM	PM	N	N	N	N	N	N	PM	PM	PM			
A	PM	PM	PM	H	S	S	S	S	S	PM	PM	PM				
HD		3P + 24S + 3P			HD									HD		



PART NUMBER	ROWS	POWER					SIGNAL					POWER		
		P1	P2	P3	P4	P5	1	2	3	4	5	P6	P7	
7-6450130-9	D	PM	PM	PM	PM	PM	J	J	J	J	J	PM	PM	
	C						K	K	K	K	K			
	B						N	G	N	N	N			
	A						S	S	S	S	S			
		5P + 20S + 2P												



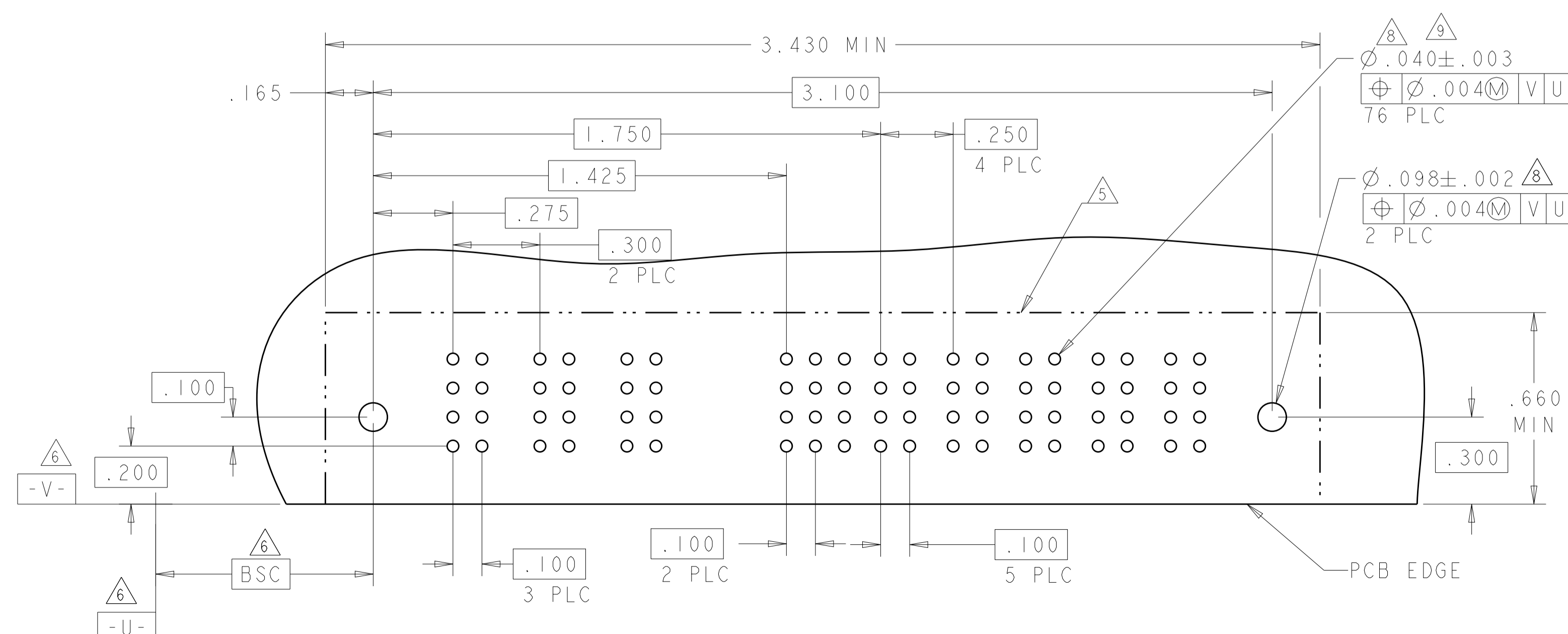
PART NUMBER	ROWS	POWER						SIGNAL					POWER	
		P1	P2	P3	P4	P5	P6	1	2	3	4	5	P7	P8
8-6450130-0	D	PM	PM	PM	PM	PM	PM	J	J	J	J	J	PM	PM
	C							K	K	K	K	K		
	B							N	G	N	N	N		
	A							S	S	S	S	S		
		6P + 20S + 2P												



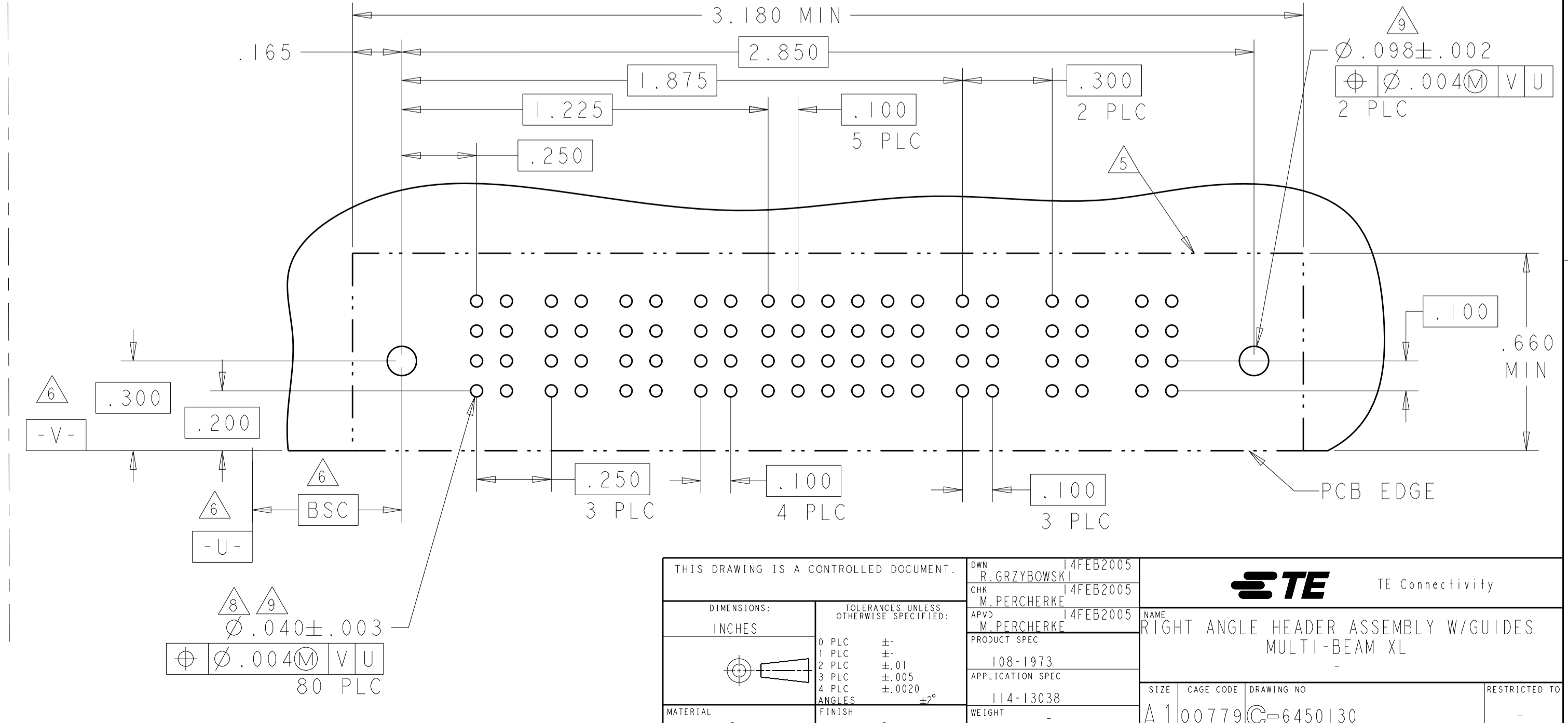
LOC	DIST	REVISIONS					
ES	00	P	LTN	DESCRIPTION	DATE	DMN	APVD
		-	-	SEE SHEET 1	-	-	-

PART NUMBER	ROWS	POWER			SIGNAL						POWER				
		P1	P2	P3	1	2	3	4	5	6	P4	P5	P6	P7	P8
7-6450130-6	D	PM	PM	PM	J	J	J	J	J	J	PM	PM	PM	PM	PM
	C				K	K	K	K	K						
	B				N	N	N	N	N						
	A				S	S	S	S	S						
		3ACP + 24S + 5P													

NO CONTACTS LOADER



PART NUMBER	ROWS	POWER				SIGNAL						POWER		
		P1	P2	P3	P4	1	2	3	4	5	6	P5	P6	P7
8-6450130-2	D	PM	PM	PM	PM	J	J	J	J	J	J	PM	PM	PM
	C					K	K	K	K	K				
	B					N	N	N	N	N				
	A					S	S	S	S	S				
		4P + 24S + 3ACP												



THIS DRAWING IS A CONTROLLED DOCUMENT.

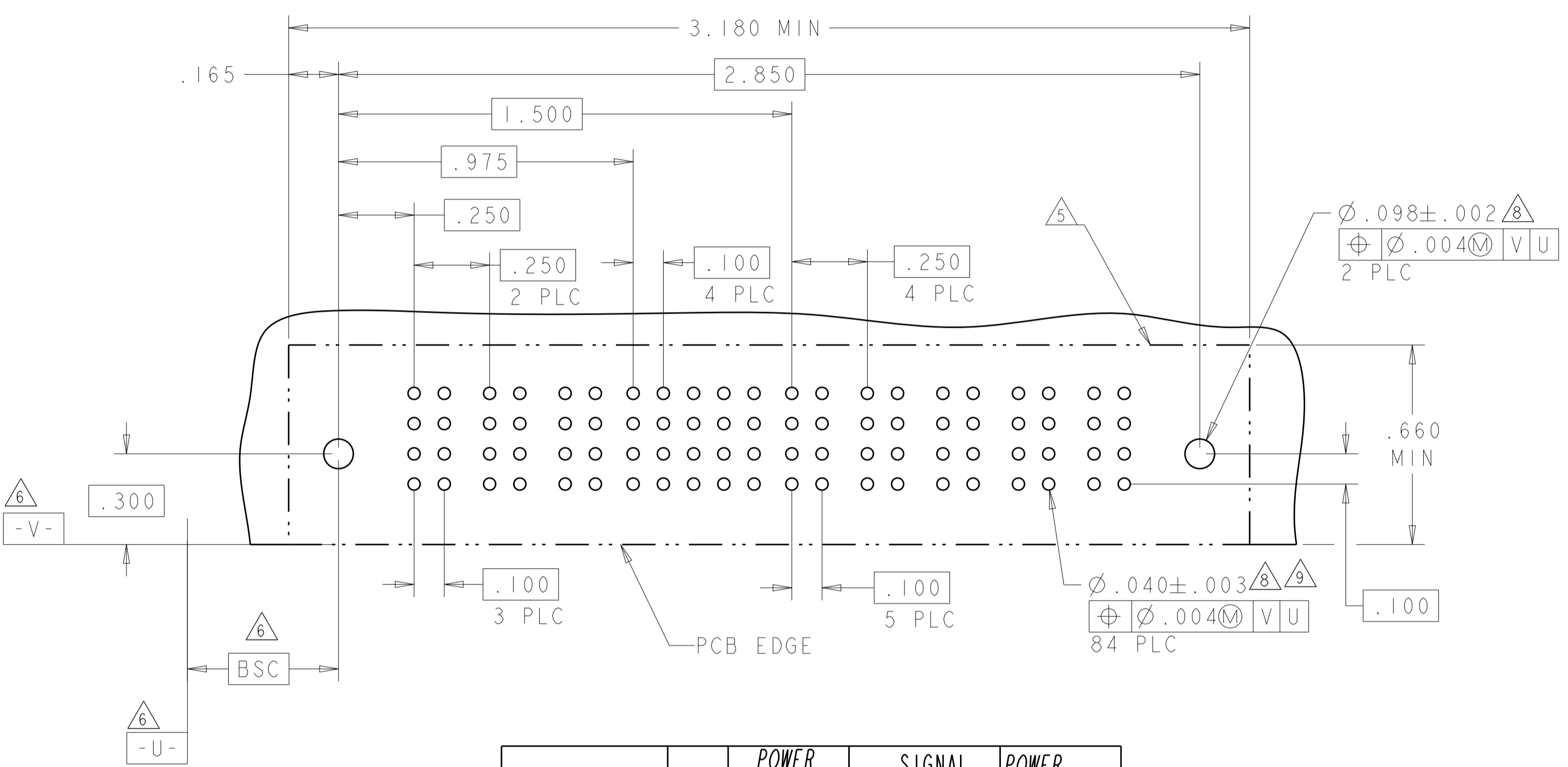
DIMENSIONS: INCHES 	TOLERANCES UNLESS OTHERWISE SPECIFIED: 0 PLC ±. 1 PLC ±.01 2 PLC ±.01 3 PLC ±.005 4 PLC ±.002 ANGLES ±.020	OWN: R. GRZYBOWSKI 4FEB2005 CHK: M. PERCHERKE 14FEB2005 APVD: M. PERCHERKE 14FEB2005 PRODUCT SPEC 108-1973 APPLICATION SPEC 114-13038 WEIGHT Customer Drawing	TE Connectivity NAME: RIGHT ANGLE HEADER ASSEMBLY W/GUIDES MULTI-BEAM XL SIZE: CAGE CODE DRAWING NO: A100779C-6450130 RESTRICTED TO:
---------------------------	--	---	---

SCALE: 4:1 SHEET 13 OF 28 REV: M2

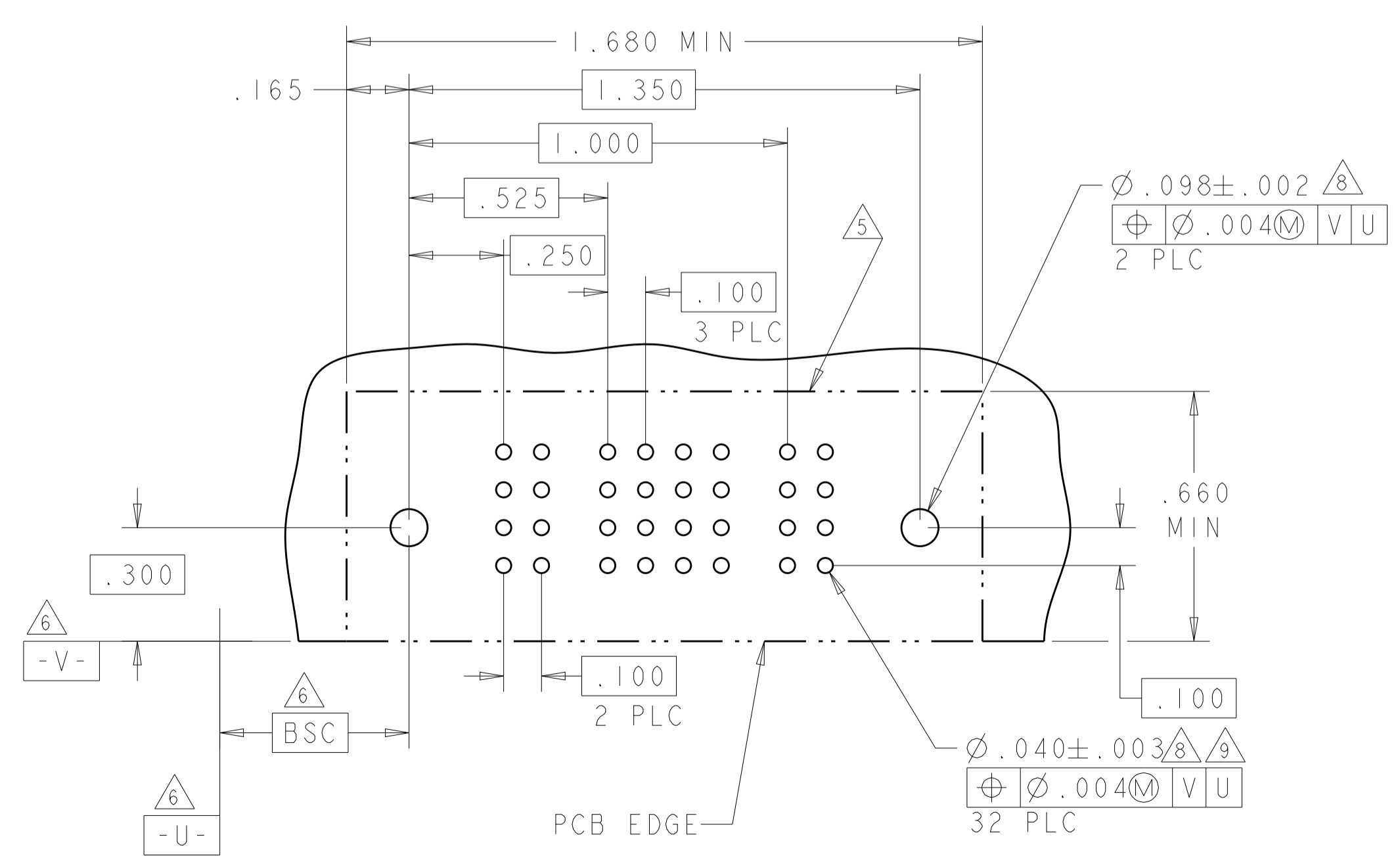
LOC	DIST	REV	DESCRIPTION	DATE	OWN	APVD
ES	00		SEE SHEET 1			

PART NUMBER	ROWS	POWER			SIGNAL					POWER				
		P1	P2	P3	1	2	3	4	5	P4	P5	P6	P7	P8
8-6450130-4	D	PM	PM	PM	J	J	J		J	PM	PM	PM	PM	
	C				K	K	K		K					
	B				N	N	N		N					
A	S	S	S		S	H								
		HD												HD
3P + 20S + 5P														

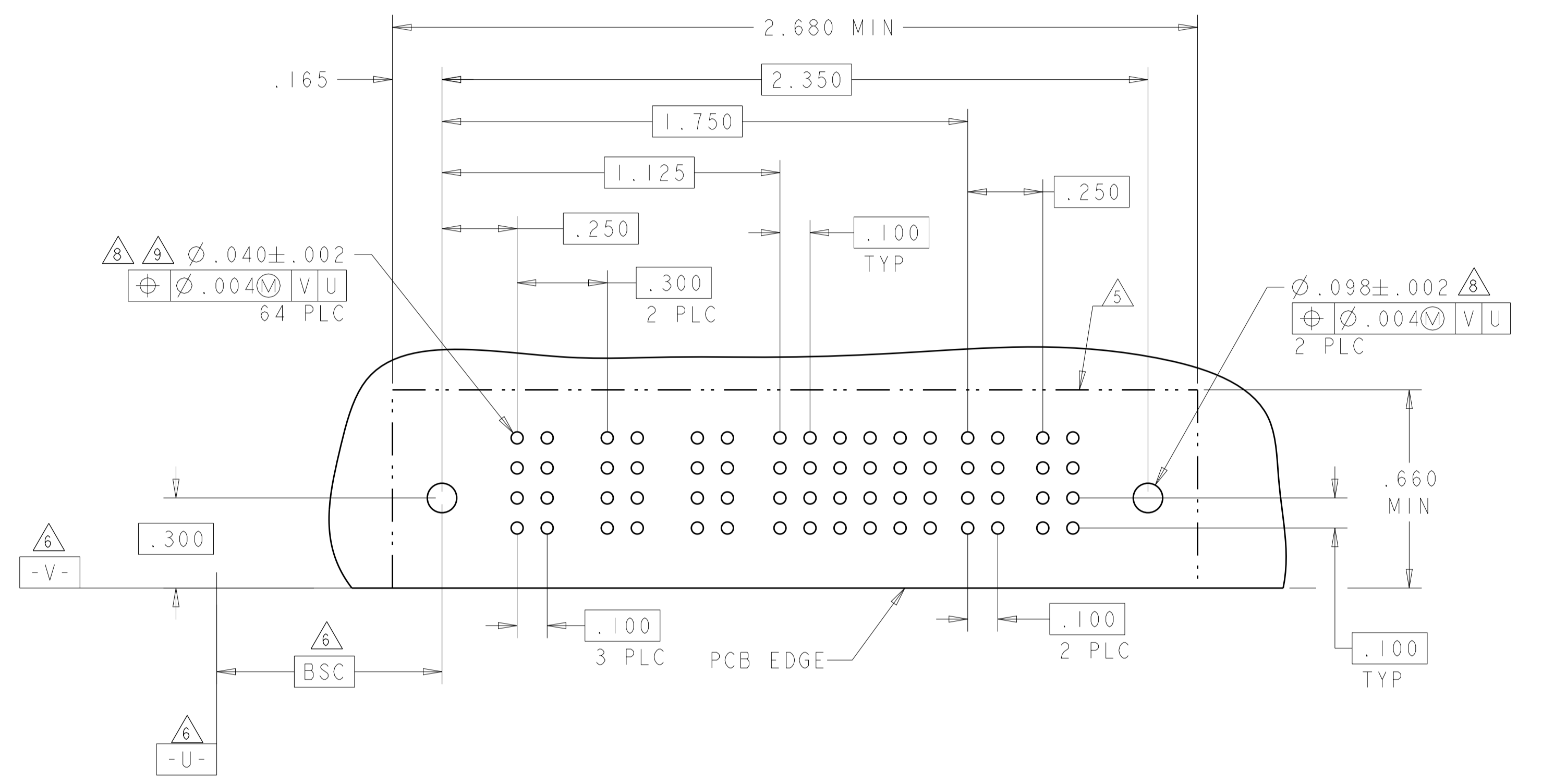
NO CONTACTS LOADED



PART NUMBER	ROWS	POWER		SIGNAL				POWER	
		P1	P2	1	2	3	4	P2	
8-6450130-5	D	PM	PM	J	E	J	E	PM	
	C			K	K	K	K		
	B			N	N	N	N		
A	S	S	S	S					
		HD						HD	
IP + 16S + IP									

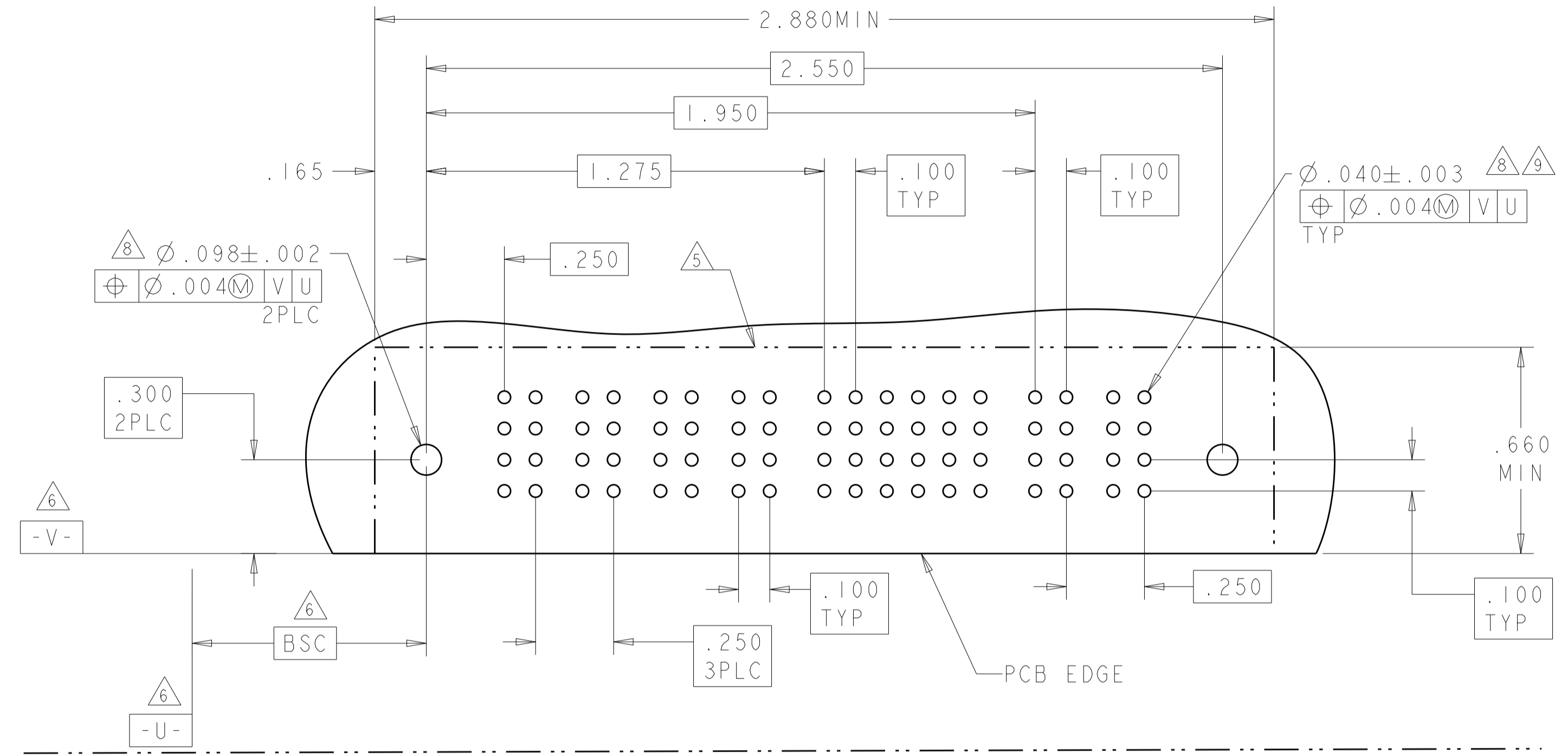


PART NUMBER	ROWS	POWER			SIGNAL						POWER			
		P1	P2	P3	1	2	3	4	5	6	P4	P5		
5-6450130-1	D	PM	PM	PM	J	E	J	J	J	PM	PM			
	C				K	K	K	K	K					
	B				N	N	G	N	N			N		
A	S	S	S	S	S	S								
		HD												HD
3ACP + 24S + 2P														



THIS DRAWING IS A CONTROLLED DOCUMENT.		OWN: R. GRZYBOWSKI 14FEB2005	STE TE Connectivity	
DIMENSIONS: INCHES		CHK: M. PERCHERKE 14FEB2005		
TOLERANCES UNLESS OTHERWISE SPECIFIED:		APVD: M. PERCHERKE 14FEB2005	NAME: RIGHT ANGLE HEADER ASSEMBLY W/GUIDES MULTI-BEAM XL	
0 PLC ± .01		PRODUCT SPEC: 108-1973	SIZE: CAGE CODE DRAWING NO: A100779C=6450130	
1 PLC ± .01		APPLICATION SPEC: 114-13038	RESTRICTED TO: -	
2 PLC ± .01		WEIGHT: -	SCALE: 4:1 SHEET 14 OF 28 REV: M2	
3 PLC ± .005		MATERIAL: -	Customer Drawing	
4 PLC ± .002		FINISH: -		
ANGLES: ± 0.2°				

PART NUMBER	ROWS	POWER				SIGNAL						POWER	
		P1	P2	P3	P4	1	2	3	4	5	6	P5	P6
5-6450130-8	D	PM	PM	PM	PM	J	J	J	E	J	J	PM	PM
	C					K	K	K	K	K			
	B					N	N	N	N	N			
	A					S	S	S	S	S			
4P + 24S + 2P													



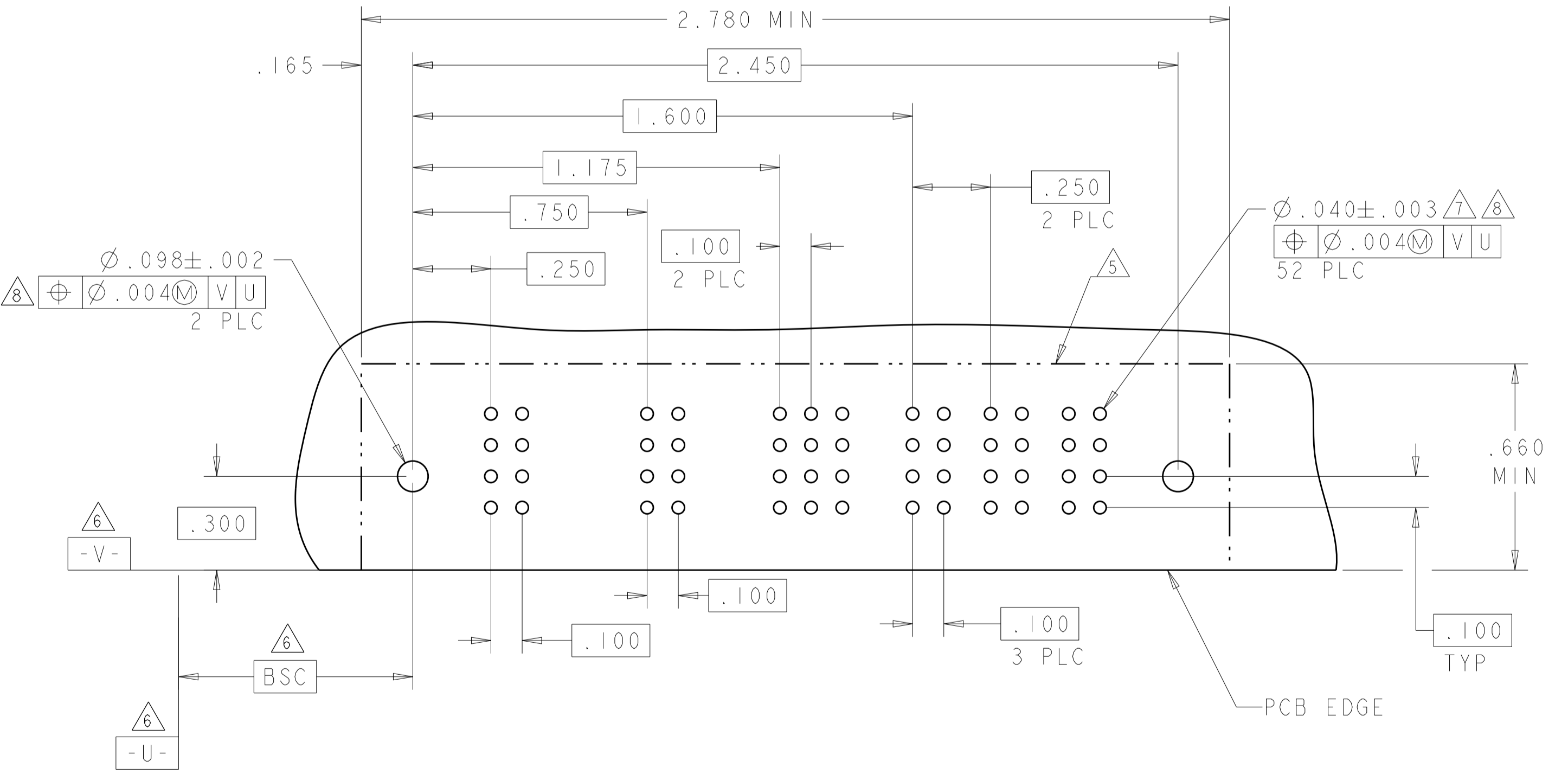
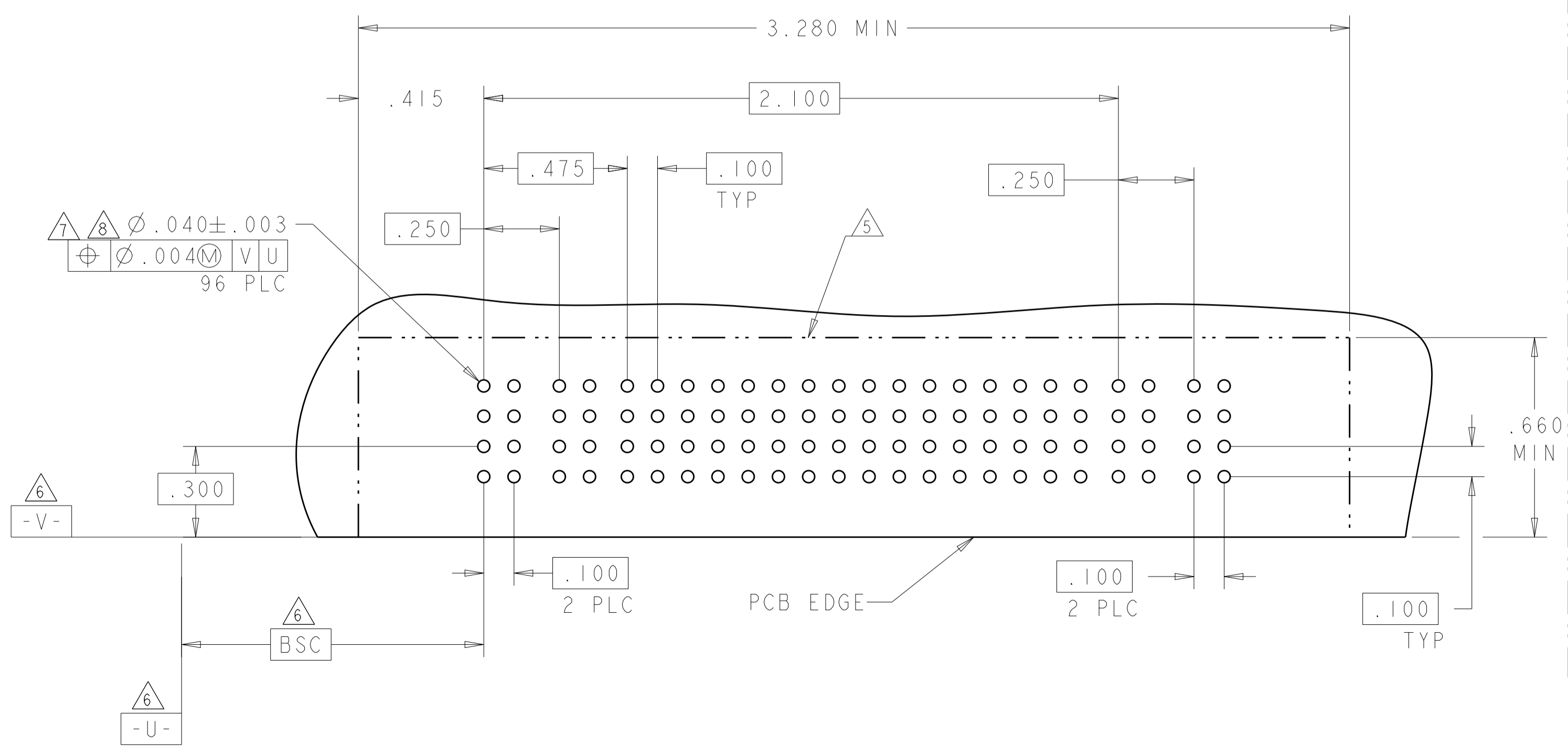
PART NUMBER	ROWS	POWER			SIGNAL						POWER		
		P1	P2	P3	1	2	3	4	5	6	P4	P5	P6
8-6450130-6	D	PM	PM	PM	J	J	J	PM	PM	PM	PM	PM	
	C				K	K	K						
	B				N	N	N						
	A				S	S	S						
3P + 24S + 3P													

NO CONTACTS LOADED

PART NUMBER	ROWS	POWER			SIGNAL						POWER		
		P1	P2	P3	1	2	3	4	5	6	P4	P5	P6
9-6450130-0	D	PM	PM	PM	E	E	E	PM	PM	PM	PM	PM	
	C				F	F	F						
	B				G	G	G						
	A				H	H	H						
3P + 24S + 3P													

NO CONTACT LOADED

PART NUMBER	ROWS	POWER		SIGNAL																POWER					
		P1	P2	1	2	3	4	5	6	7	8	9	10	11	12	13	14	15	16	P3	P4				
8-6450130-7	D	PA	PA	A	A	A	A	A	A	A	A	A	A	A	A	A	A	A	A	A	A	A	PA	PA	
	C			3	3	3	3	3	3	3	3	3	3	3	3	3	3	3	3	3	3	3			
	B			2	2	2	2	2	2	2	2	2	2	2	2	2	2	2	2	2	2	2			2
	A			1	1	1	1	1	1	1	1	1	1	1	1	1	1	1	1	1	1	1			1
2P + 64S + 2P																									



8-6450130-6 AND 9-6450130-0 HAVE THE SAME PCB LAYOUT

THIS DRAWING IS A CONTROLLED DOCUMENT.		DWN: R. GRZYBOWSKI 14FEB2005		TE Connectivity
DIMENSIONS: INCHES		CHK: M. PERCHERKE 14FEB2005		RIGHT ANGLE HEADER ASSEMBLY W/GUIDES MULTI-BEAM XL
TOLERANCES UNLESS OTHERWISE SPECIFIED:		APVD: M. PERCHERKE 14FEB2005	NAME	
0 PLC ±.01		PRODUCT SPEC	SIZE	
1 PLC ±.01		108-1973	CAGE CODE	
2 PLC ±.01		APPLICATION SPEC	DRAWING NO	
3 PLC ±.005		114-13038	RESTRICTED TO	
4 PLC ±.002		WEIGHT	A100779	
ANGLES ±.020		Customer Drawing	SCALE 4:1 SHEET 15 OF 28 REV M2	

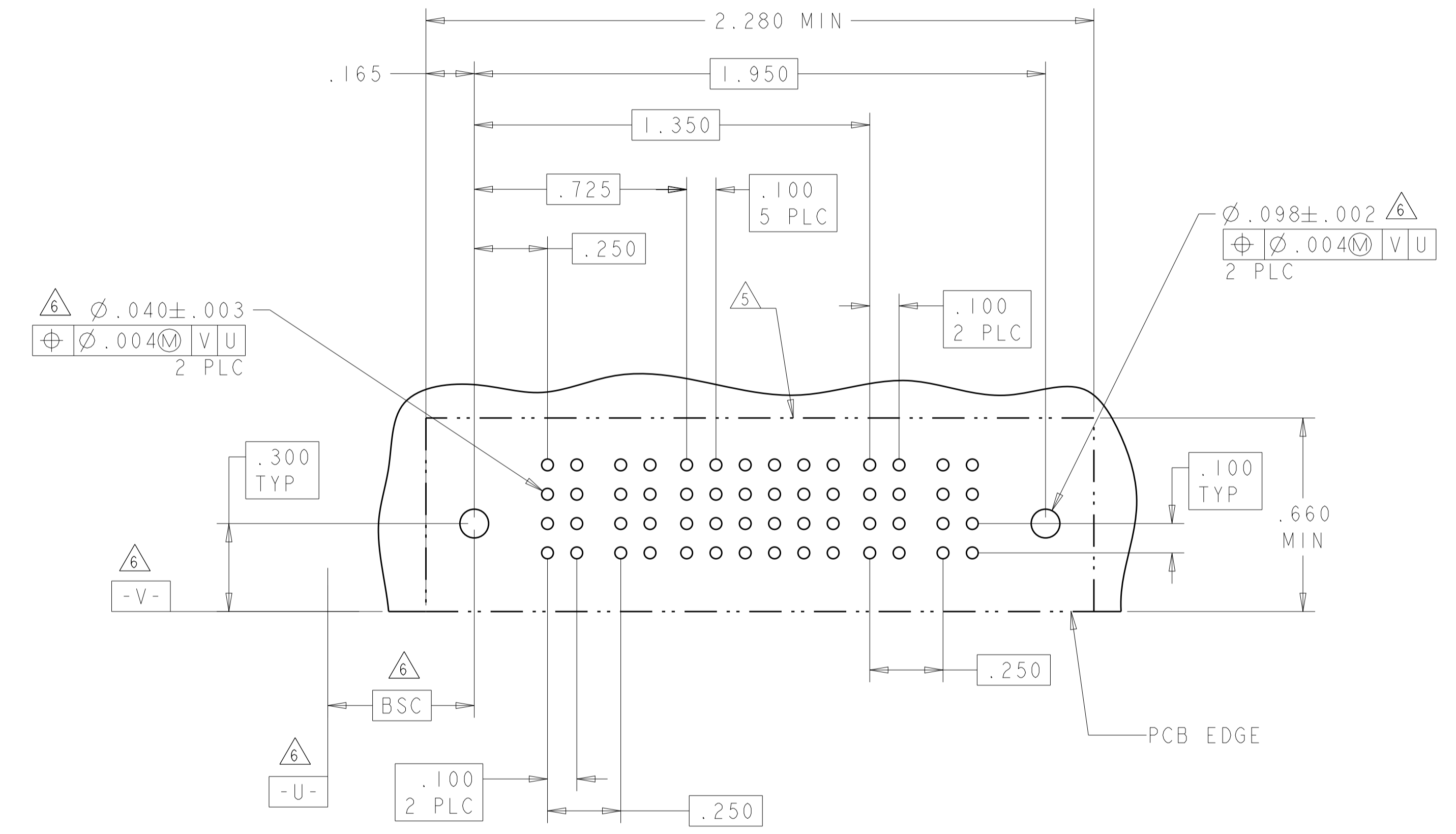
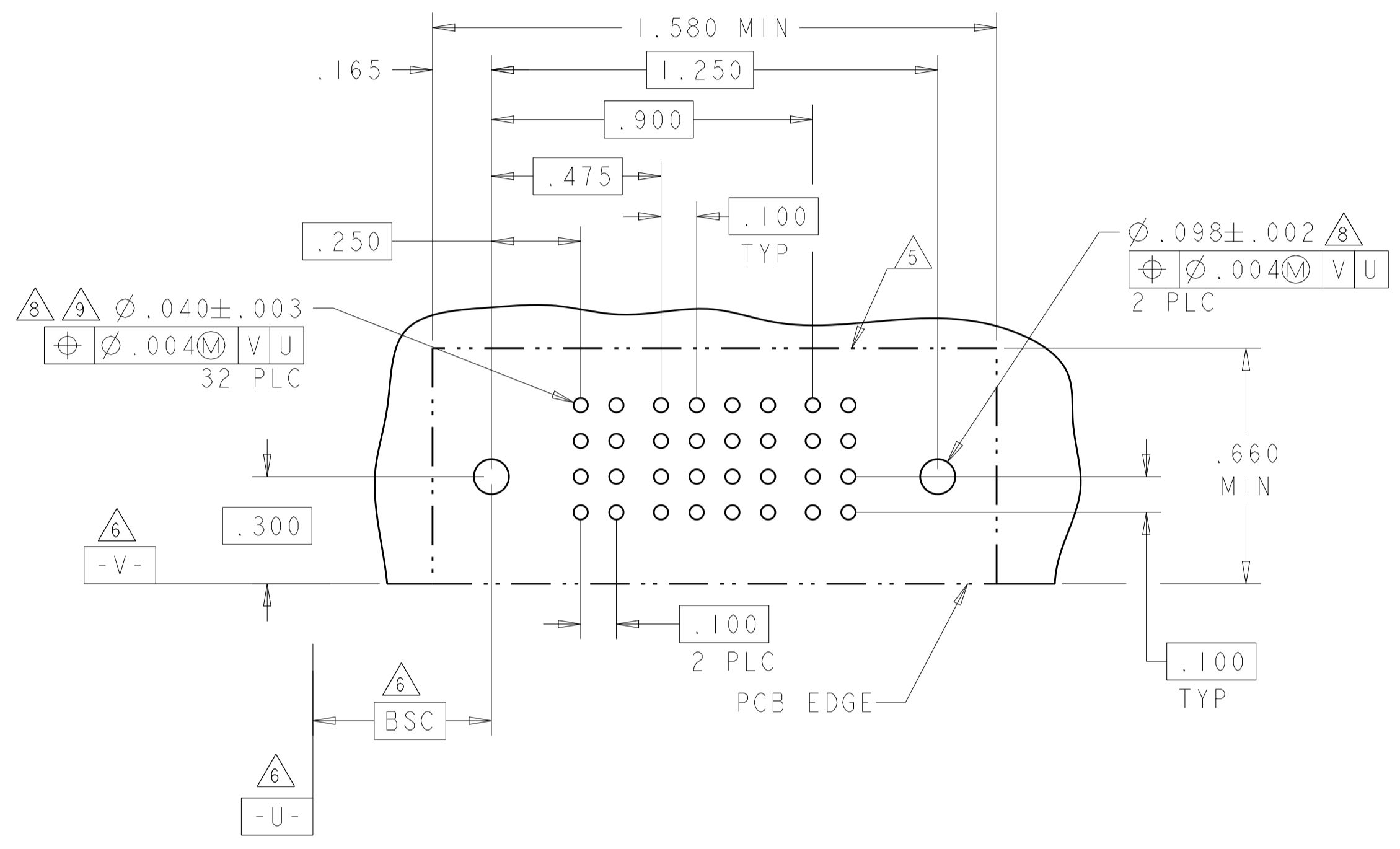
LOC	DIST	REVISIONS			
P	LTN	DESCRIPTION	DATE	DMN	APVD
-	-	SEE SHEET 1	-	-	-

PART NUMBER	ROWS	POWER		SIGNAL				POWER	
		P1	P2	1	2	3	4	P3	P4
8-6450130-9	D	PM	PM	J	J	J	J	PM	PM
	C			K	K	F	K		
	B			N	N	G	N		
	A			S	S	S	S		

IP + 16S + IP

PART NUMBER	ROWS	POWER		SIGNAL						POWER	
		P1	P2	1	2	3	4	5	6	P3	P4
2-6450130-9	D	PM	PM	J	J	J	J	J	J	PM	PM
	C			K	K	K	K	F			
	B			N	N	N	N	N			
	A			S	S	S	S	S			

2P + 24S + 2P

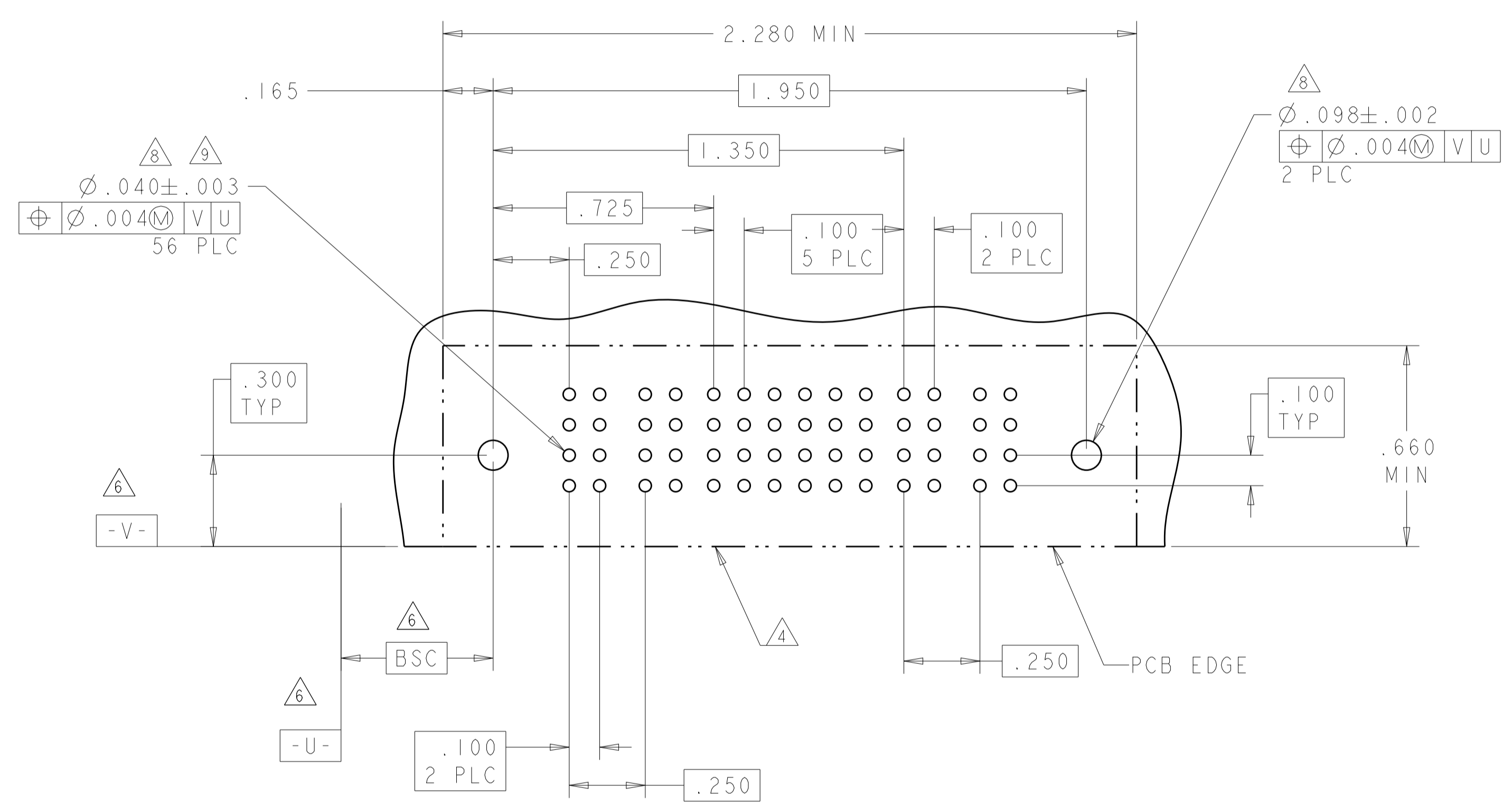
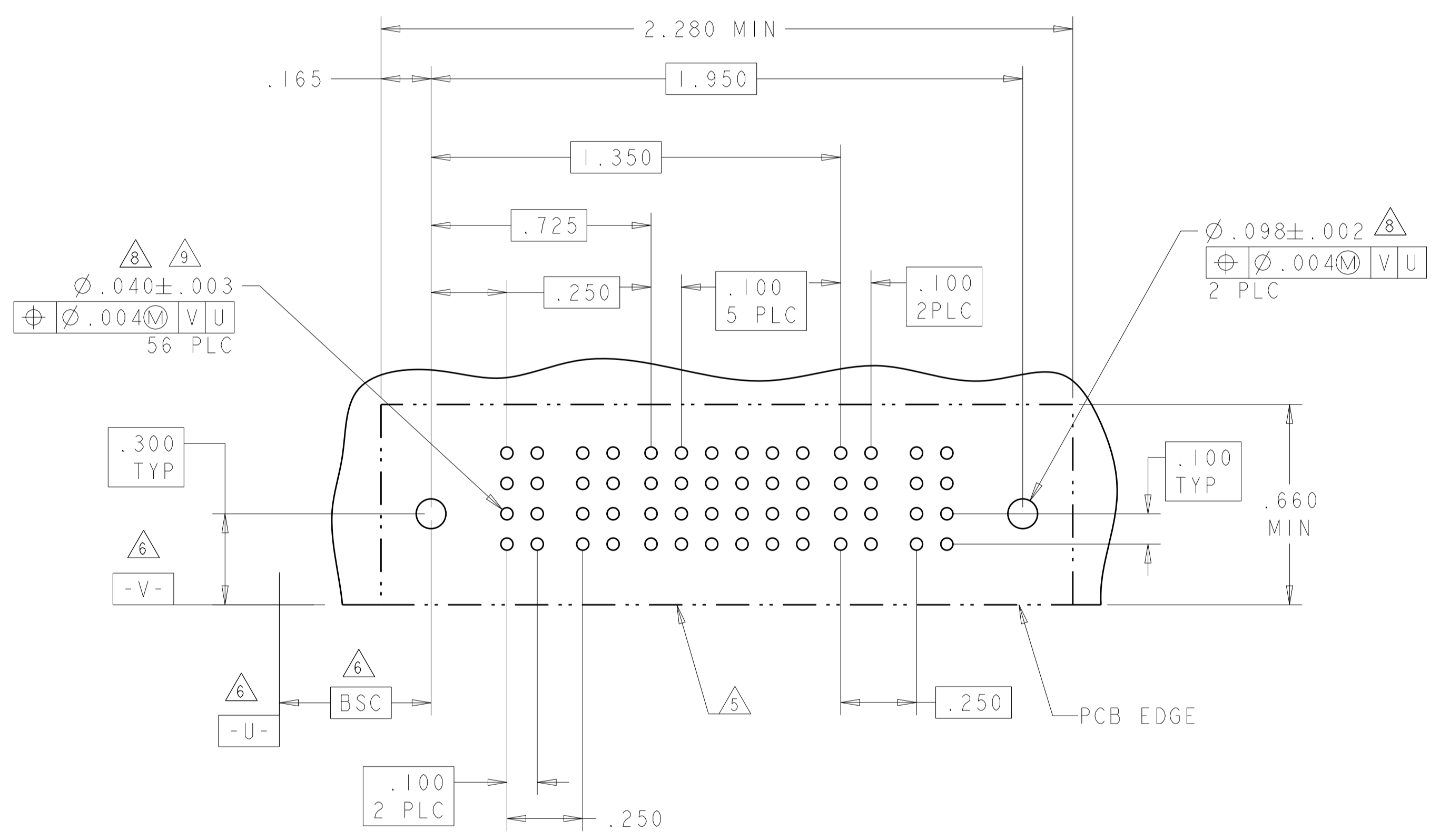


THIS DRAWING IS A CONTROLLED DOCUMENT.		DMN: R.GRZYBOWSKI 14FEB2005	 TE Connectivity
DIMENSIONS: INCHES		CHK: M.PERCHEKKE 14FEB2005	
TOLERANCES UNLESS OTHERWISE SPECIFIED:		APVD: M.PERCHEKKE 14FEB2005	NAME: RIGHT ANGLE HEADER ASSEMBLY W/GUIDES MULTI-BEAM XL
0 PLC ±.01	1 PLC ±.01	PRODUCT SPEC: 108-1973	SIZE: CAGE CODE DRAWING NO: A100779C=6450130
2 PLC ±.01	3 PLC ±.005	APPLICATION SPEC: 114-13038	RESTRICTED TO: -
4 PLC ±.0020	ANGLES ±.020	WEIGHT: -	SCALE: 4:1 SHEET 16 OF 28 REV: M2
MATERIAL: -	FINISH: -	Customer Drawing	

LOC	DIST	REVISIONS			
ES	00	REV	DATE	BY	APPV
		1	SEE SHEET 1		

PART NUMBER	ROWS	POWER		SIGNAL						POWER	
		P1	P2	1	2	3	4	5	6	P3	P4
4-6450130-2	D	PM	PM	J	J	J	J	J	E	PM	PM
	C			K	K	K	K	K			
	B			N	N	N	N	N			
	A			S	S	S	S	S			
2P + 24S + 2P		HD								HD	

PART NUMBER	ROWS	POWER		SIGNAL						POWER	
		P1	P2	1	2	3	4	5	6	P3	P4
6-6450130-7	D	PM	PM	J	J	J	J	J	J	PM	PM
	C			K	K	K	K	K			
	B			N	N	N	G	N	N		
	A			S	S	S	S	S			
2P + 24S + 2P		HD								HD	



PART NUMBER	ROWS	POWER		SIGNAL						POWER	
		P1	P2	1	2	3	4	5	6	P3	P4
8-6450130-8	D	PM	PM	E	E	E	E	E	E	PM	PM
	C			F	F	F	F	F			
	B			G	G	G	G	G			
	A			H	H	H	H	S			
2P + 24S + 2P		HD								HD	

LAYOUT OF PART 8-6450130-8 IS SAME AS 6-6450130-7.

THIS DRAWING IS A CONTROLLED DOCUMENT.		OWN: R. GRZYBOWSKI 14FEB2005	TE Connectivity												
DIMENSIONS: INCHES		CHK: M. PERCHERKE 14FEB2005													
TOLERANCES UNLESS OTHERWISE SPECIFIED:		APVD: M. PERCHERKE 14FEB2005	NAME: RIGHT ANGLE HEADER ASSEMBLY W/GUIDES MULTI-BEAM XL												
<table border="1"> <tr><td>0 PLC</td><td>±.01</td></tr> <tr><td>1 PLC</td><td>±.01</td></tr> <tr><td>2 PLC</td><td>±.01</td></tr> <tr><td>3 PLC</td><td>±.005</td></tr> <tr><td>4 PLC</td><td>±.002</td></tr> <tr><td>ANGLES</td><td>±.020</td></tr> </table>		0 PLC	±.01	1 PLC	±.01	2 PLC	±.01	3 PLC	±.005	4 PLC	±.002	ANGLES	±.020	PRODUCT SPEC: 108-1973	SIZE: CAGE CODE DRAWING NO: A100779
0 PLC	±.01														
1 PLC	±.01														
2 PLC	±.01														
3 PLC	±.005														
4 PLC	±.002														
ANGLES	±.020														
MATERIAL: -		APPLICATION SPEC: 114-13038	RESTRICTED TO: -												
FINISH: -		WEIGHT: -	SCALE: 4:1 SHEET 17 OF 28 REV: M2												
Customer Drawing															

LOC	DIST	REVISIONS			
P	LTN	DESCRIPTION	DATE	DMN	APVD
ES	00	SEE SHEET 1			

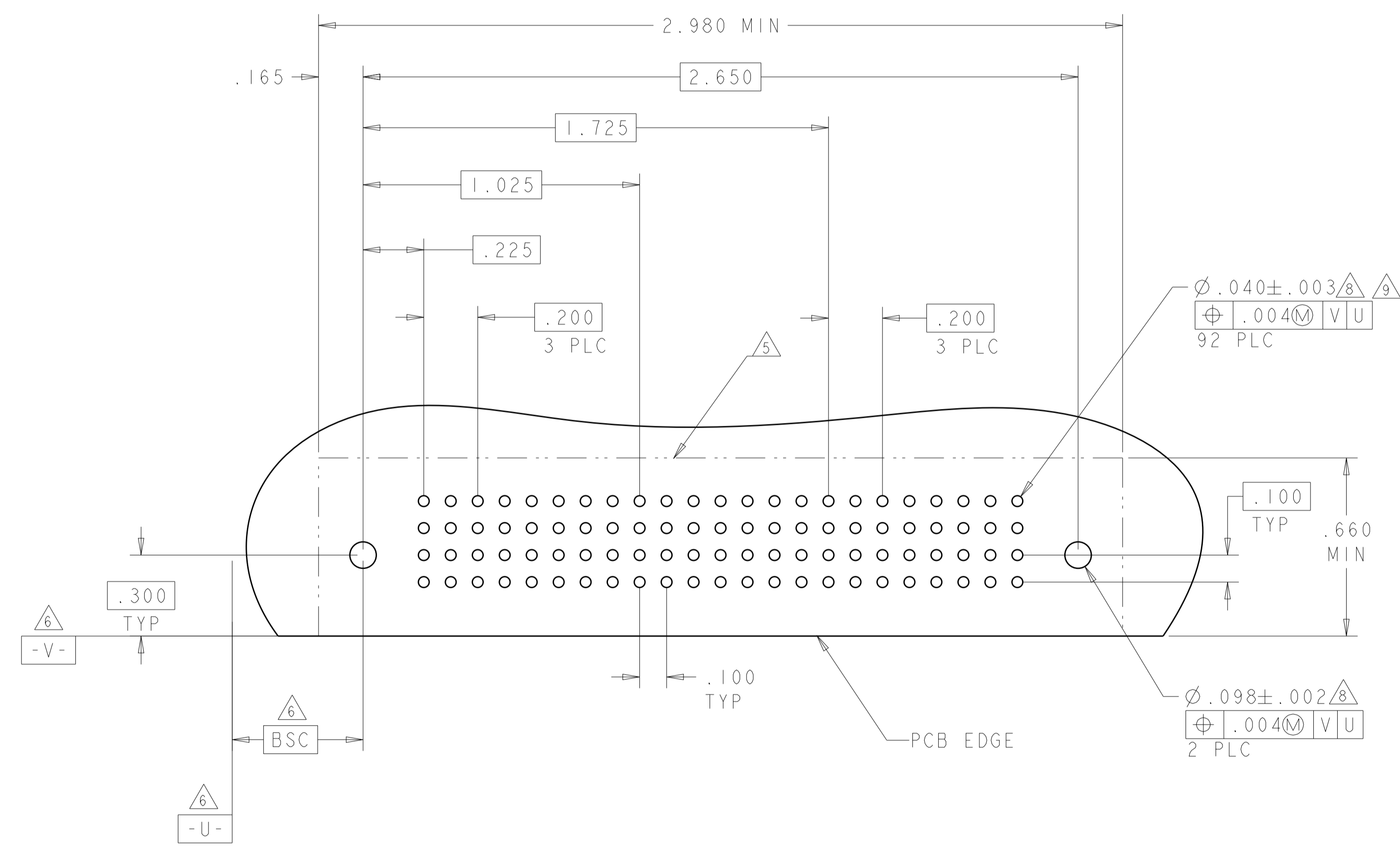
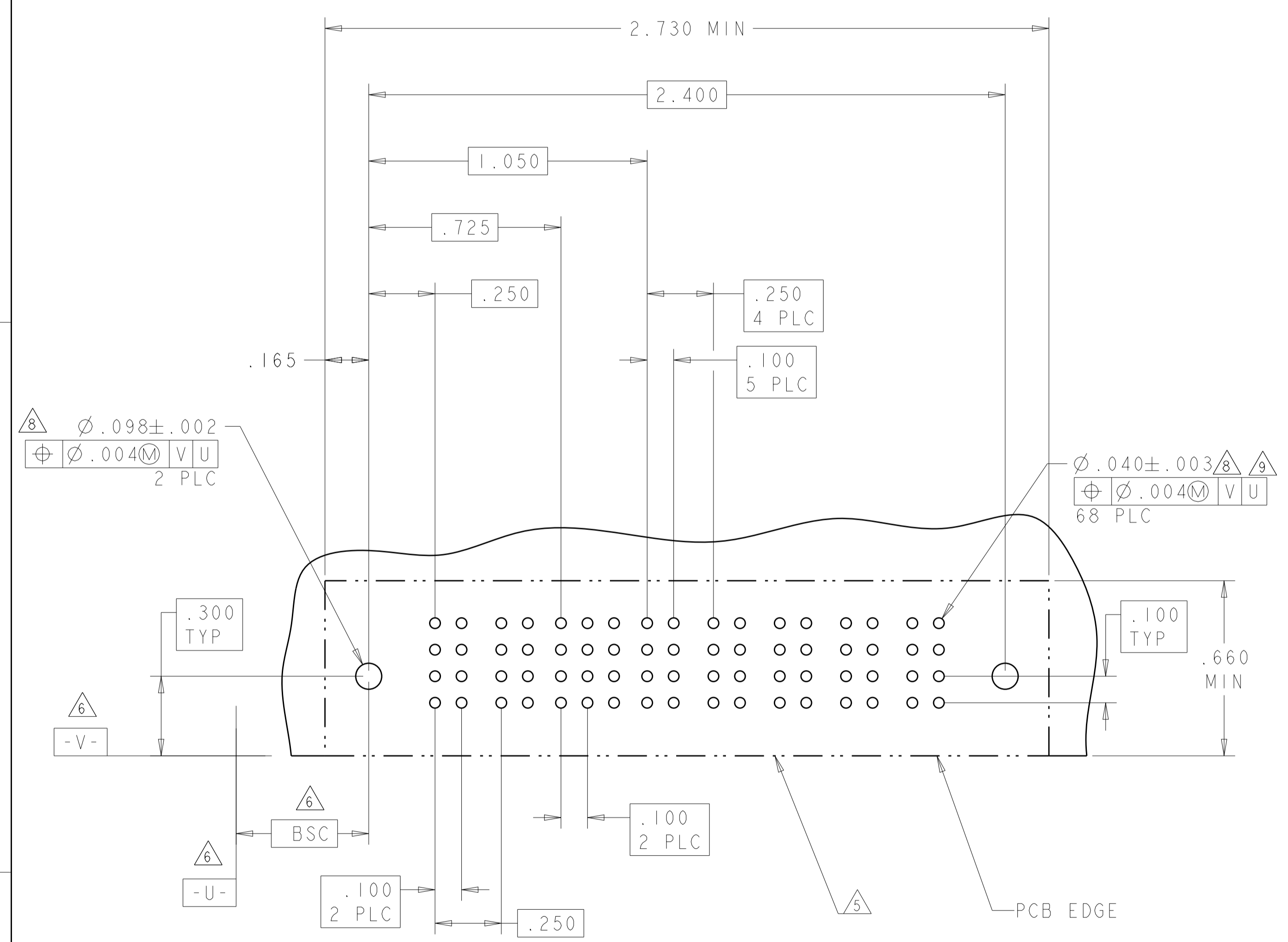
PART NUMBER	ROWS	POWER		SIGNAL			POWER				
		P1	P2	1	2	3	P3	P4	P5	P6	P7
9-6450130-2	D	PM	PM	J	J	J	PM	PM	PM	PM	PM
	C			K	K	K					
	B			N	N	N					
	A			S	S	S					

2P + 12S + 5P

(K2)

PART NUMBER	ROWS	POWER				SIGNAL							POWER			
		P1	P2	P3	P4	1	2	3	4	5	6	7	P5	P6	P7	P8
2-6450130-4	D	PA	PA	PA	PA	A4	A4	A4	A4	A4	A4	A4	PA	PA	PA	PA
	C					A3	A3	A3	A3	A3	A3					
	B					A2	A2	A2	A2	A2	A2					
	A					A1	A1	A1	A1	A1	A1					

4HDP + 28S + 4HDP



THIS DRAWING IS A CONTROLLED DOCUMENT.

DIMENSIONS:	TOLERANCES UNLESS OTHERWISE SPECIFIED:	OWN: R. GRZYBOWSKI 4FEB2005	CHK: M. PERCHERKE 14FEB2005	APVD: M. PERCHERKE 14FEB2005
INCHES	0 PLC ±.01 1 PLC ±.01 2 PLC ±.01 3 PLC ±.005 4 PLC ±.0020 ANGLES ±.2°	PRODUCT SPEC: 108-1973	APPLICATION SPEC: 114-13038	WEIGHT: -
MATERIAL: -	FINISH: -	SIZE: A1	CAGE CODE: C=6450130	DRAWING NO: 100779
		Customer Drawing		SCALE: 4:1
		SHEET 18 OF 28		REV: M2

STE TE Connectivity

RIGHT ANGLE HEADER ASSEMBLY W/GUIDES MULTI-BEAM XL

LOC	DIST	REVISIONS			
P	LTN	DESCRIPTION	DATE	DMN	APVD
ES	00	SEE SHEET 1			

(K5)

PART NUMBER	ROWS	POWER		SIGNAL				POWER	
		P1	P2	1	2	3	4	P3	P4
9-6450130-3	D	PM	PM	E	J	J	J	PM	PM
	C			K	K	K	K		
	B			N	N	N	N		
	A			S	S	S	S		

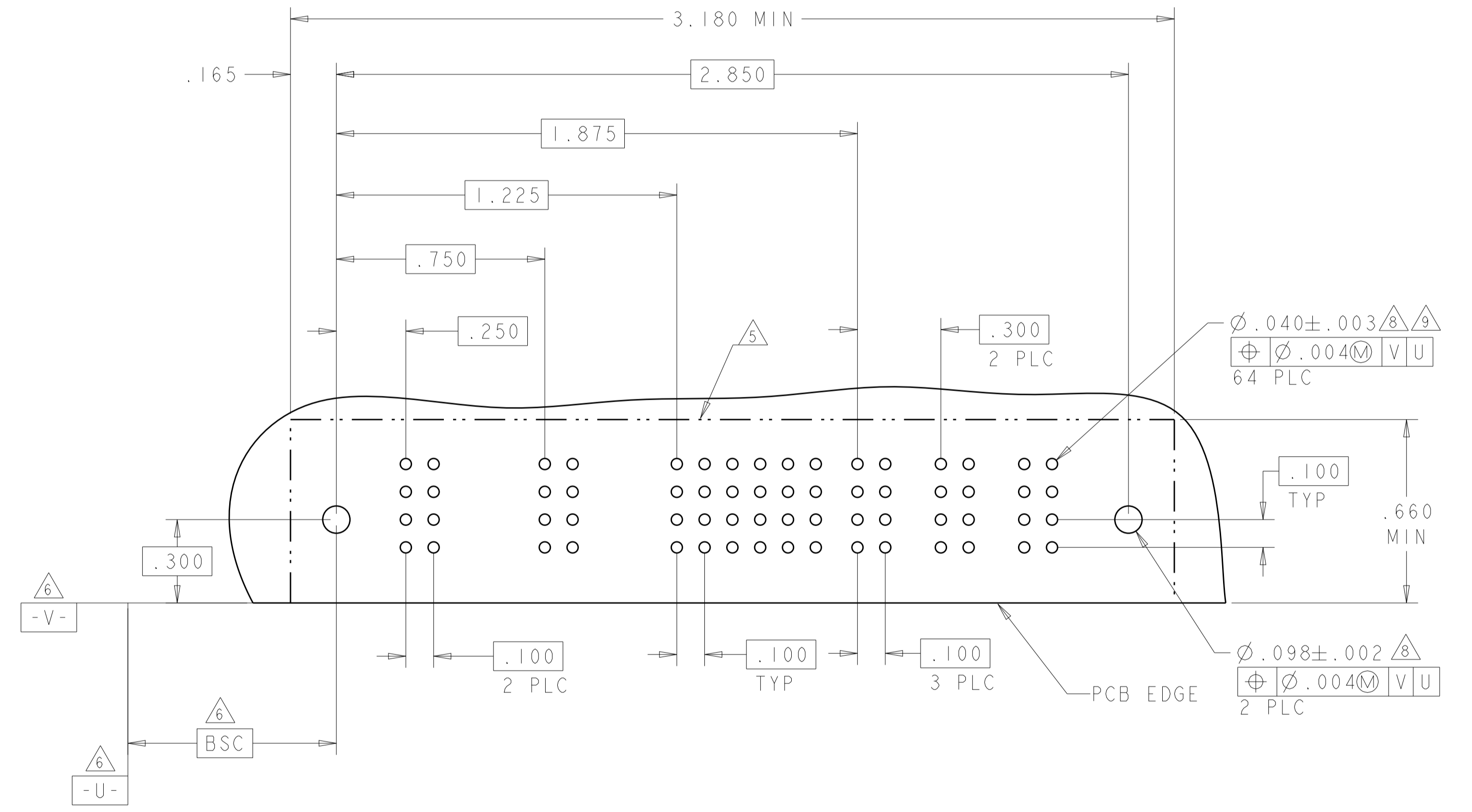
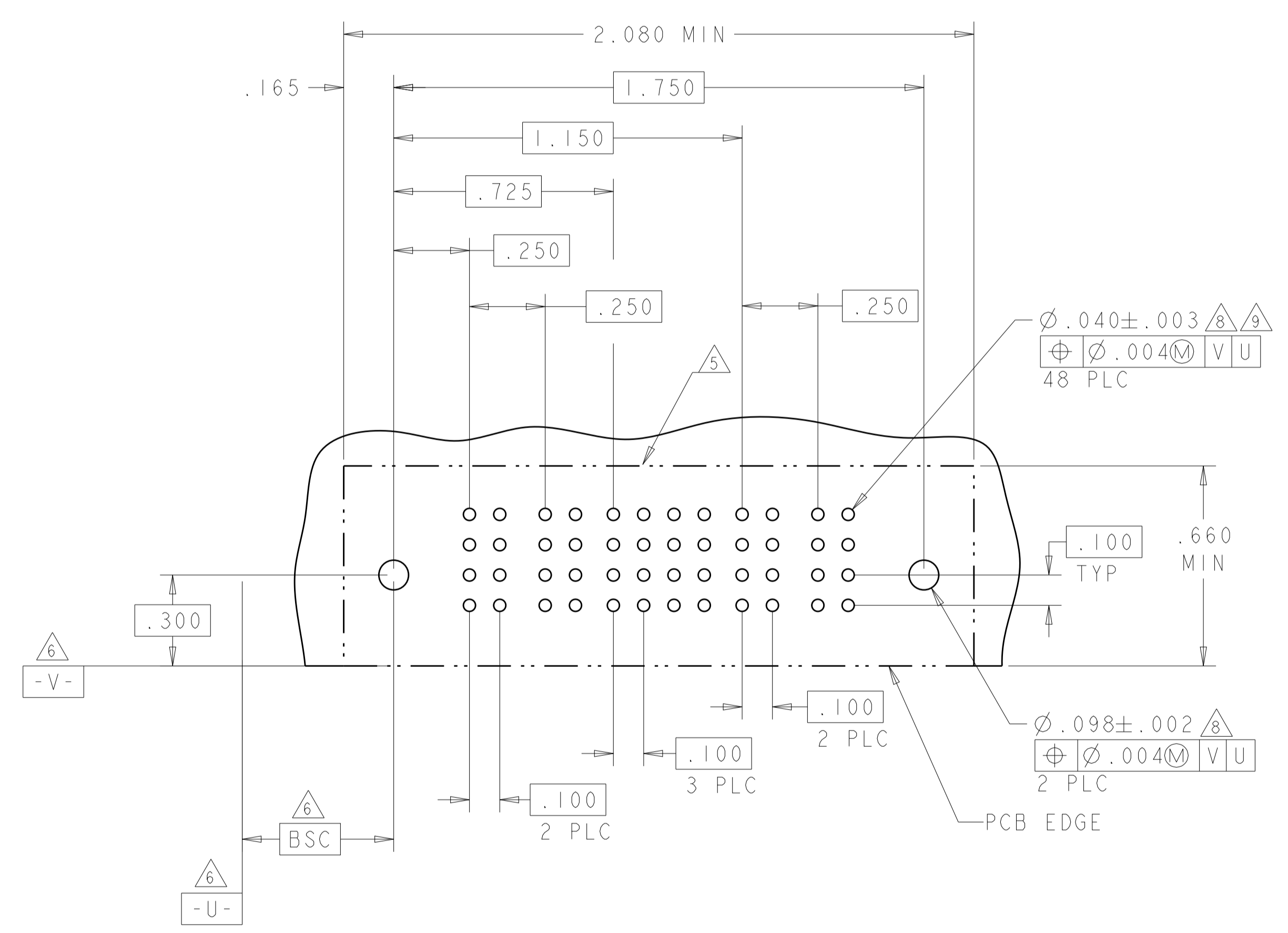
2P + 16S + 2P

(K6)

PART NUMBER	ROWS	POWER				SIGNAL						POWER		
		P1	P2	P3	P4	1	2	3	4	5	6	P5	P6	P7
9-6450130-4	D	PM	PM	PM	PM	J	J	J	J	J	J	PM	PM	PM
	C					K	K	K	K	K	K			
	B					N	N	N	N	N	N			
	A					S	S	S	S	S	H			

4P + 24S + 3ACP

NO CONTACT LOADED

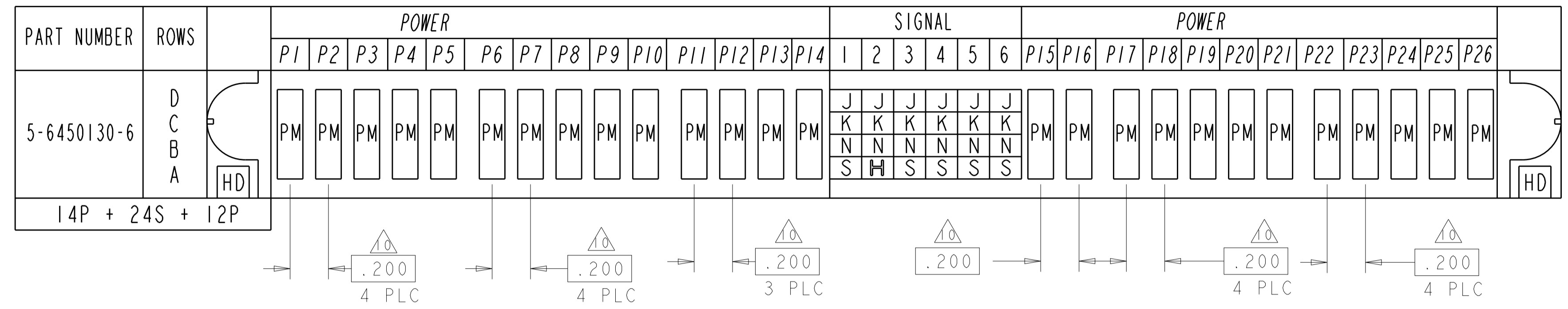


THIS DRAWING IS A CONTROLLED DOCUMENT.

DIMENSIONS:	TOLERANCES UNLESS OTHERWISE SPECIFIED:	DMN: R. GRZYBOWSKI 14FEB2005	CHK: M. PERCHERKE 14FEB2005	APVD: M. PERCHERKE 14FEB2005	NAME: RIGHT ANGLE HEADER ASSEMBLY W/GUIDES MULTI-BEAM XL
INCHES	0 PLC ±.01 1 PLC ±.01 2 PLC ±.01 3 PLC ±.005 4 PLC ±.0020	PRODUCT SPEC: 108-1973	APPLICATION SPEC: 114-13038	SIZE: A1	CAGE CODE: 6450130
MATERIAL:	FINISH:	WEIGHT:	Customer Drawing	SCALE: 4:1	SHEET 19 OF 28

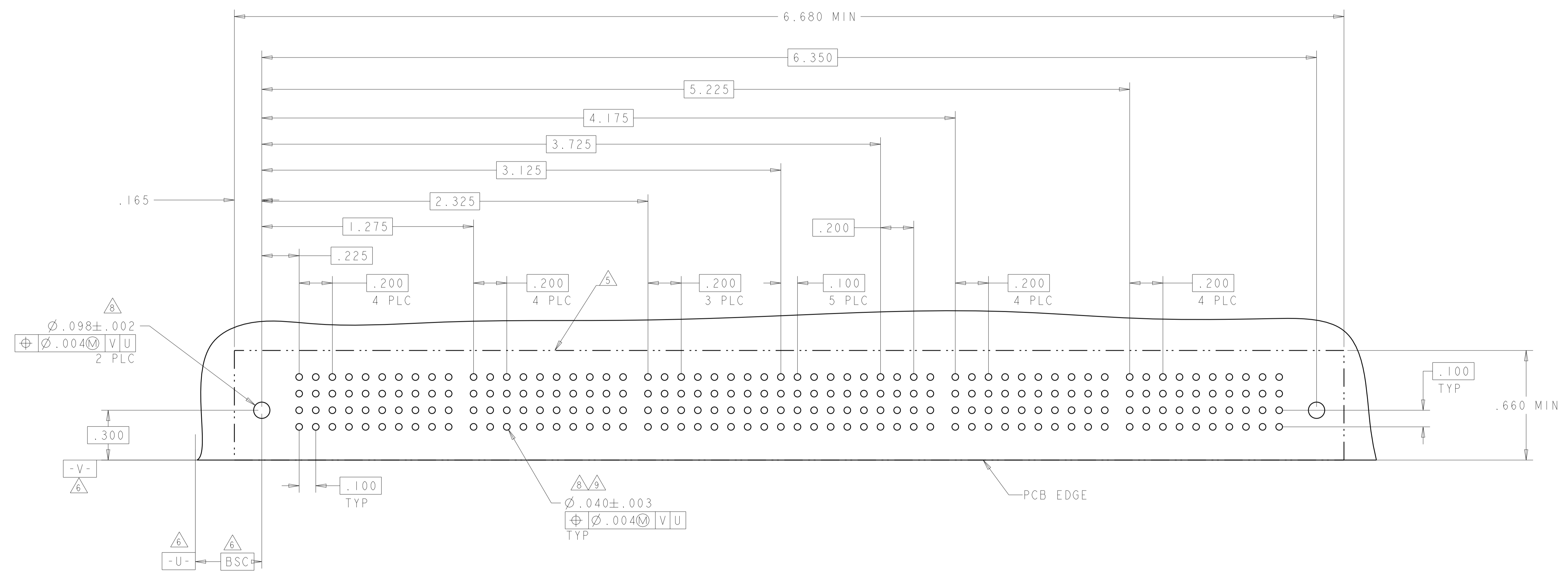
RESTRICTED TO

LOC	DIST	REVISIONS					
		P	LTN	DESCRIPTION	DATE	OWN	APVD
ES	00	-	-	SEE SHEET 1	-	-	-



L2

L6

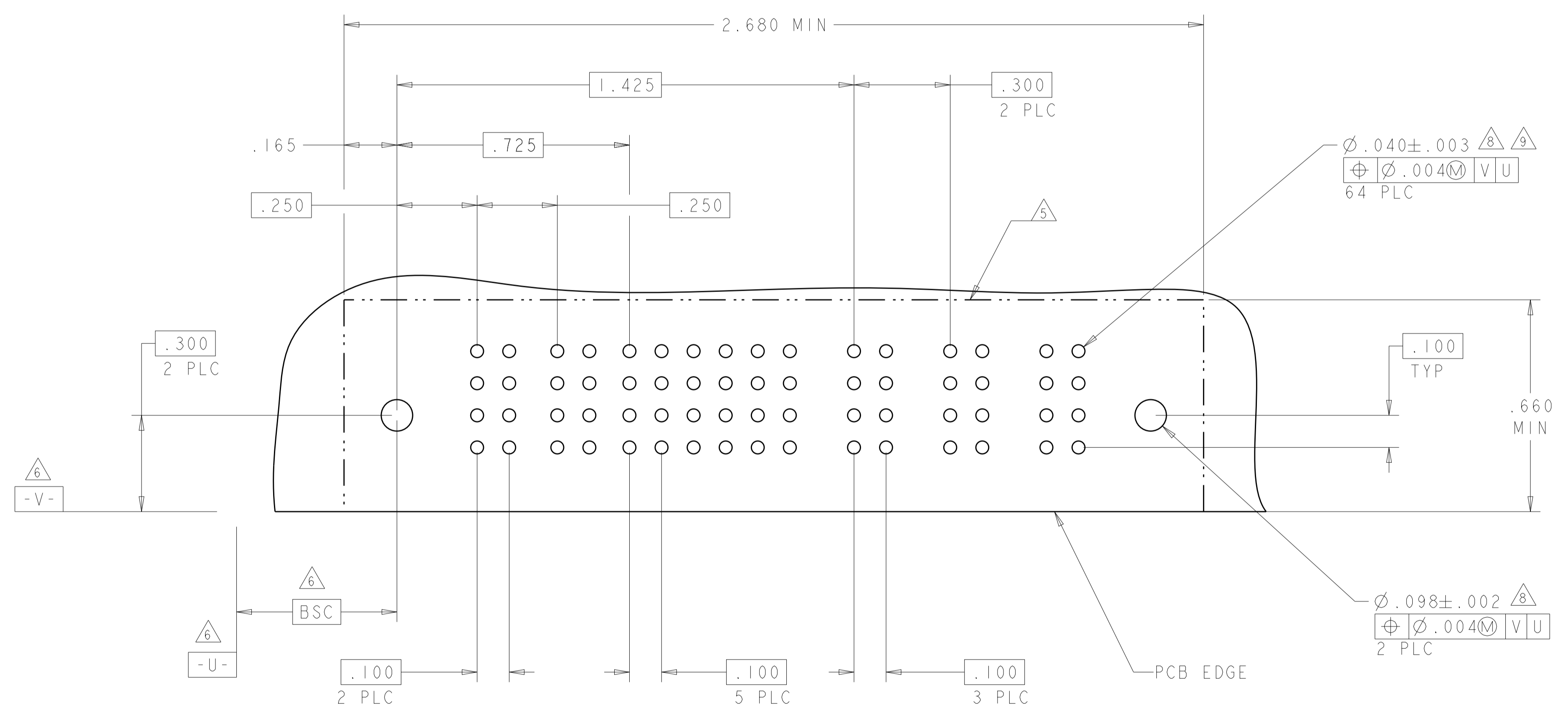


THIS DRAWING IS A CONTROLLED DOCUMENT.		OWN: R. GRZYBOWSKI 14FEB2005	TE Connectivity	
DIMENSIONS: INCHES		CHK: M. PERCHERKE 14FEB2005		
TOLERANCES UNLESS OTHERWISE SPECIFIED:		APVD: M. PERCHERKE 14FEB2005	NAME: RIGHT ANGLE HEADER ASSEMBLY W/GUIDES MULTI-BEAM XL	
0 PLC ±. 1 PLC ±. 2 PLC ±.01 3 PLC ±.005 4 PLC ±.0020 ANGLES ±.7°		PRODUCT SPEC: 108-1973	SIZE: A1	
MATERIAL: . . . FINISH: . . .		APPLICATION SPEC: 114-13038	CAGE CODE: C=6450130	
		WEIGHT: . . .	RESTRICTED TO: . . .	
		Customer Drawing	SCALE: 4:1 SHEET 21 OF 28 REV: M2	

LOC	DIST	REVISIONS					
		P	LTN	DESCRIPTION	DATE	DWN	APVD
ES	00	-	-	SEE SHEET 1	-	-	-

PART NUMBER	ROWS	POWER		SIGNAL						POWER		
		P1	P2	1	2	3	4	5	6	P3	P4	P5
9-6450130-5	D	PM	PM	J	J	E	J	J	J	PM	PM	PM
	C			K	K	K	K	K				
	B			N	N	G	N	N	N			
	A			S	S	S	S	S	S			

2P + 24S + 3ACP



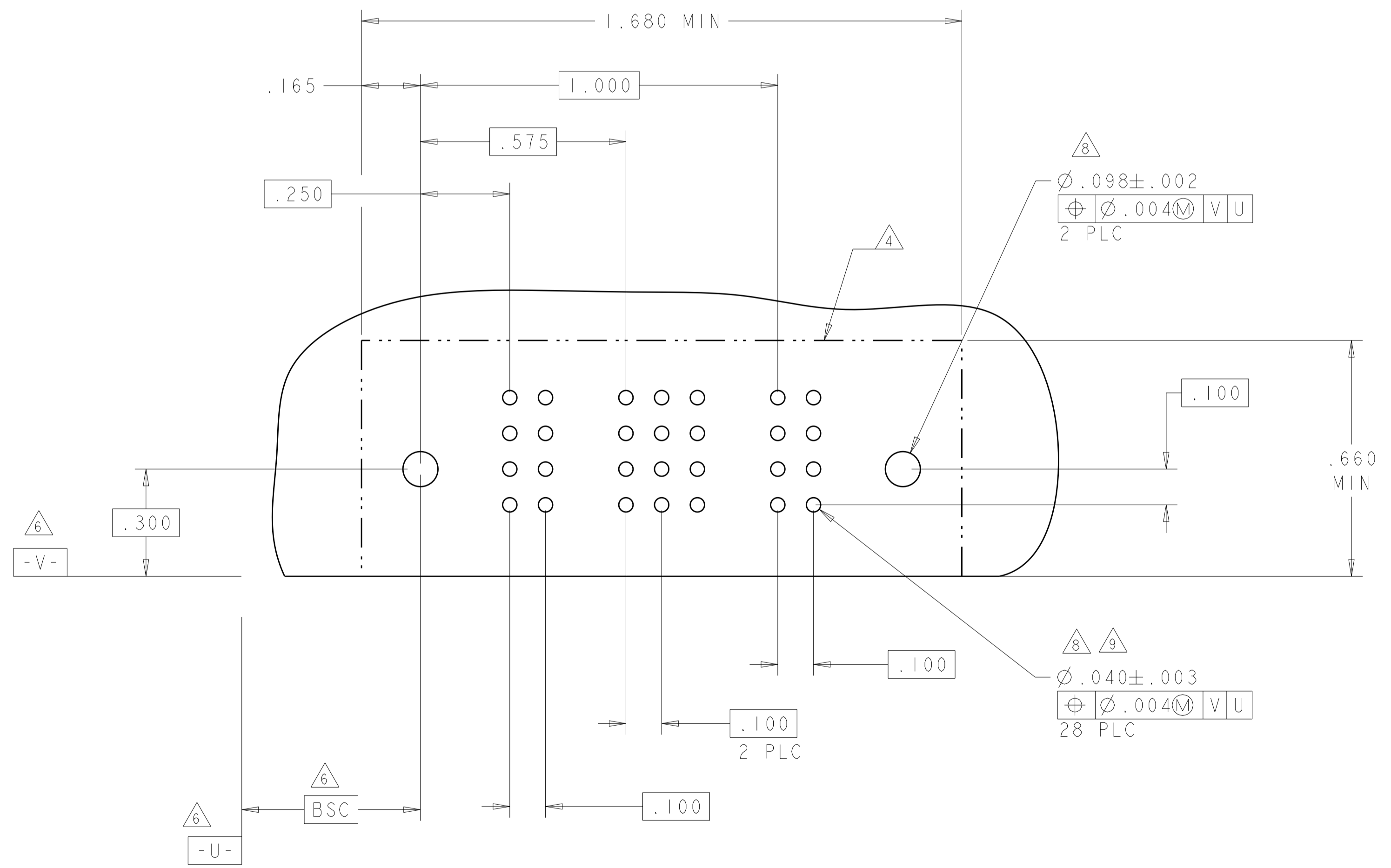
THIS DRAWING IS A CONTROLLED DOCUMENT.		DWN: R. GRZYBOWSKI 14FEB2005	 TE Connectivity
DIMENSIONS: INCHES		CHK: M. PERCHERKE 14FEB2005	
TOLERANCES UNLESS OTHERWISE SPECIFIED:		APVD: M. PERCHERKE 14FEB2005	NAME: RIGHT ANGLE HEADER ASSEMBLY W/GUIDES MULTI-BEAM XL
0 PLC ±. 1 PLC ±.01 2 PLC ±.01 3 PLC ±.005 4 PLC ±.0020 ANGLES ±.2°		PRODUCT SPEC: 108-1973	SIZE: A
MATERIAL: -		APPLICATION SPEC: 114-13038	CAGE CODE: C=6450130
FINISH: -		WEIGHT: -	RESTRICTED TO: -
		Customer Drawing	SCALE: 4:1 SHEET 22 OF 28 REV: M2

LOC	DIST	REVISIONS			
P	LTN	DESCRIPTION	DATE	DMN	APVD
ES	00	SEE SHEET 1	-	-	-

PART NUMBER	ROWS	POWER		SIGNAL					POWER	
		PI	1	2	3	4	5	P2		
9-6450130-6	D	PM	HD	E	J	J			PM	HD
	C			K	K	K				
	B			N	N	N				
	A			S	S	S				

IP + 20S + IP

NO CONTACTS LOADED



THIS DRAWING IS A CONTROLLED DOCUMENT.		DMN: R.GRZYBOWSKI 14FEB2005	TE Connectivity
DIMENSIONS: INCHES		CHK: M.PERCHEKKE 14FEB2005	
TOLERANCES UNLESS OTHERWISE SPECIFIED:		APVD: M.PERCHEKKE 14FEB2005	NAME: RIGHT ANGLE HEADER ASSEMBLY W/GUIDES MULTI-BEAM XL
0 PLC ±.01	1 PLC ±.01	PRODUCT SPEC: 108-1973	SIZE: CAGE CODE DRAWING NO: A100779 C=6450130
2 PLC ±.01	3 PLC ±.005	APPLICATION SPEC: 114-13038	RESTRICTED TO: -
4 PLC ±.002	ANGLES #2	WEIGHT: -	SCALE: 4:1 SHEET 23 OF 28 REV: M2
MATERIAL: -	FINISH: -	Customer Drawing	

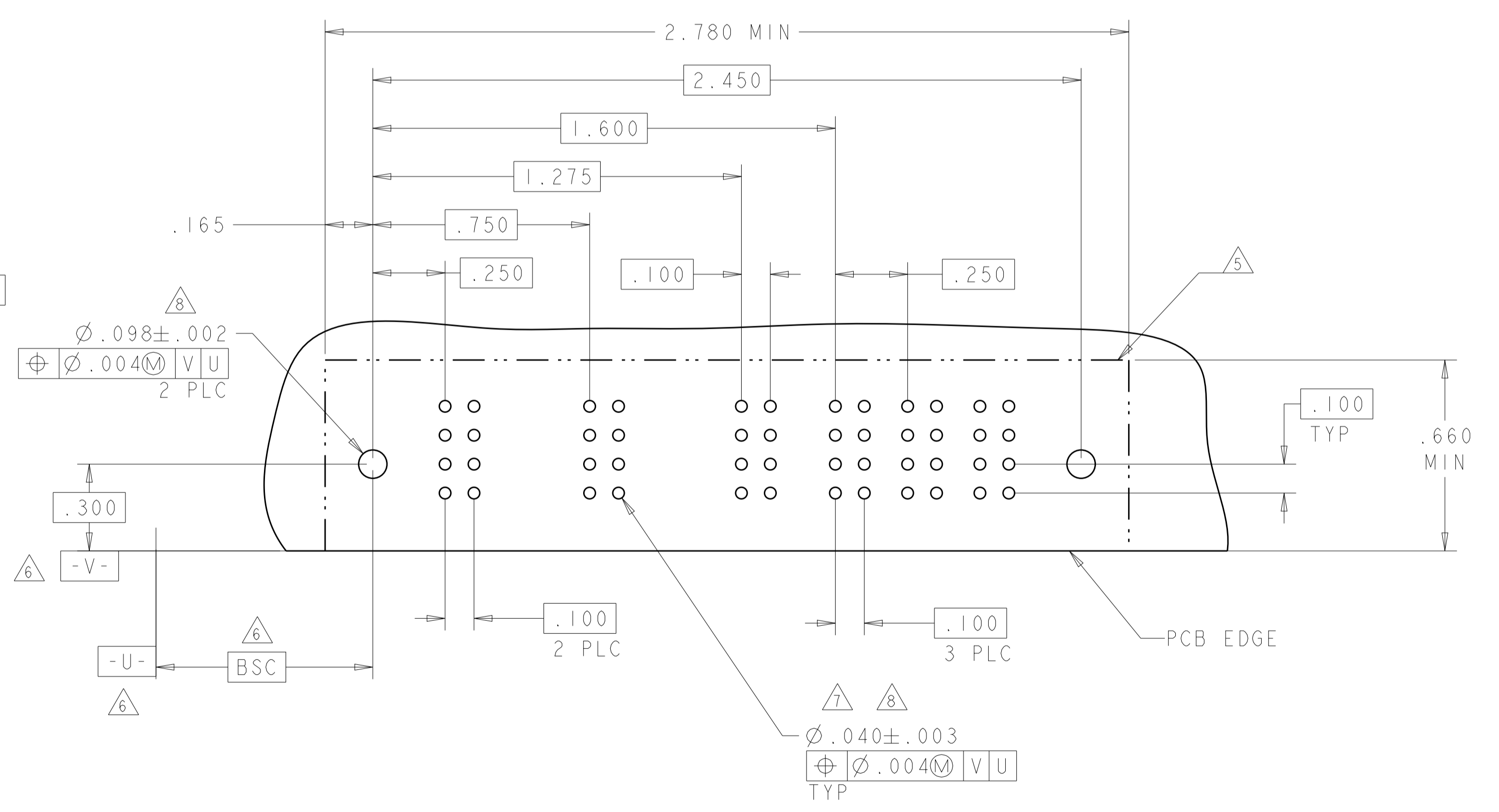
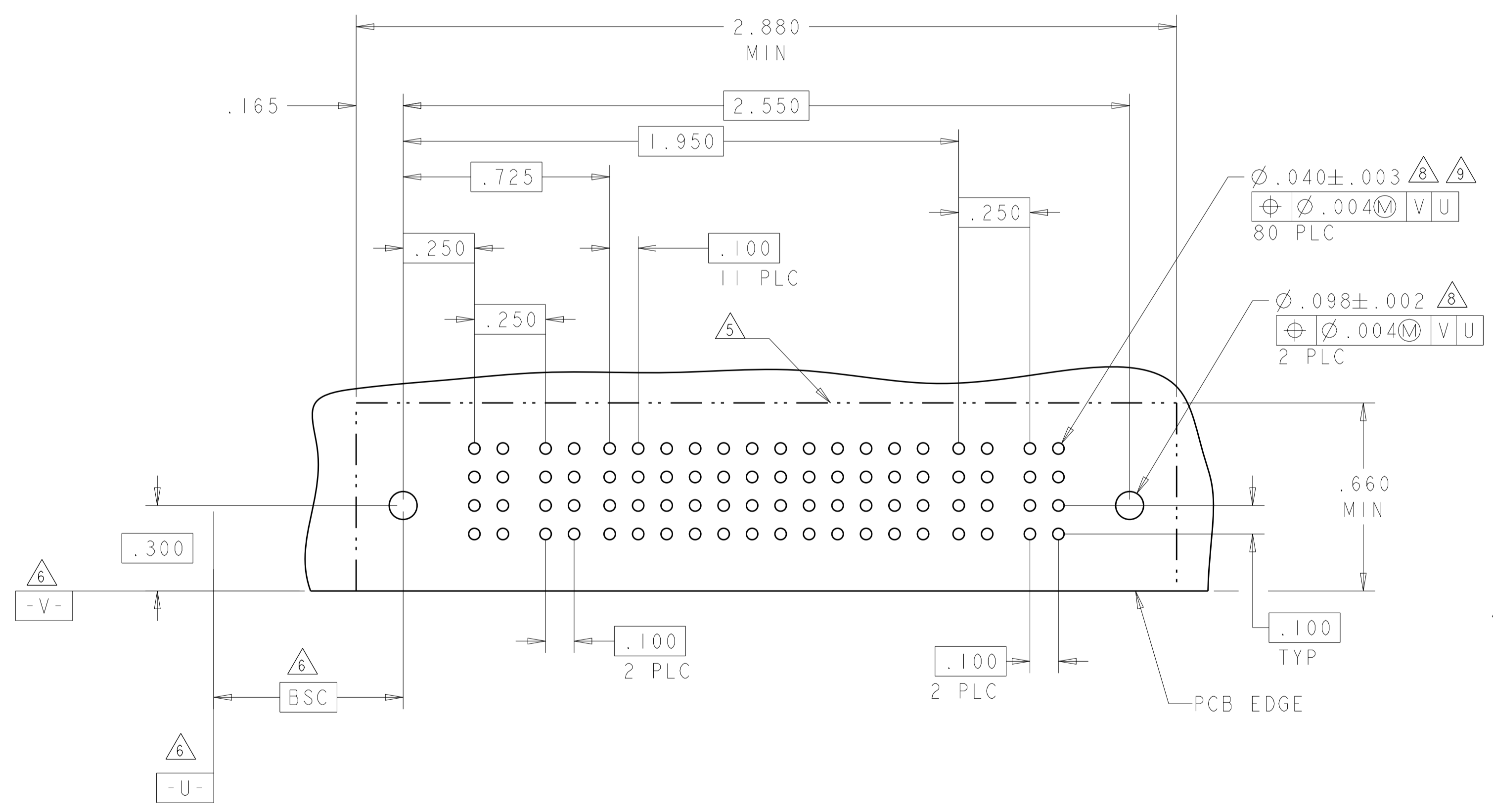
LOC	DIST	REV	DATE	BY	APPV
ES	00				
		DESCRIPTION		DATE	BY
		SEE SHEET 1			

PART NUMBER	ROWS	POWER		SIGNAL												POWER			
		P1	P2	1	2	3	4	5	6	7	8	9	10	11	12	P3	P4		
6-6450130-9	D	PM	PM	E	J	J	J	J	J	J	J	J	J	J	J	E	PM	PM	
	C			K	K	K	K	K	K	K	K	K	K	K	K	K			
	B			N	N	N	N	N	N	N	N	N	N	N	N	N			N
	A			H	S	S	S	S	S	S	S	S	S	S	S	H			
2P + 48S + 2P																			

PART NUMBER	ROWS	POWER			SIGNAL						POWER								
		P1	P2	P3	1	2	3	4	5	6	P4	P5	P6						
9-6450130-7	D	PM	PM	PM				E	E										
	C							F	F										
	B							G	G										
	A							H	H										
3P + 24S + 3P																			

(L5)

NO CONTACT LOADED



THIS DRAWING IS A CONTROLLED DOCUMENT.

OWN: R. GRZYBOWSKI 14FEB2005
 CHK: M. PERCHERKE 14FEB2005
 APVD: M. PERCHERKE 14FEB2005

STE TE Connectivity

NAME: RIGHT ANGLE HEADER ASSEMBLY W/GUIDES MULTI-BEAM XL

PRODUCT SPEC: 108-1973
 APPLICATION SPEC: 114-13038

SIZE: A1
 CAGE CODE: 6450130
 DRAWING NO: 100779

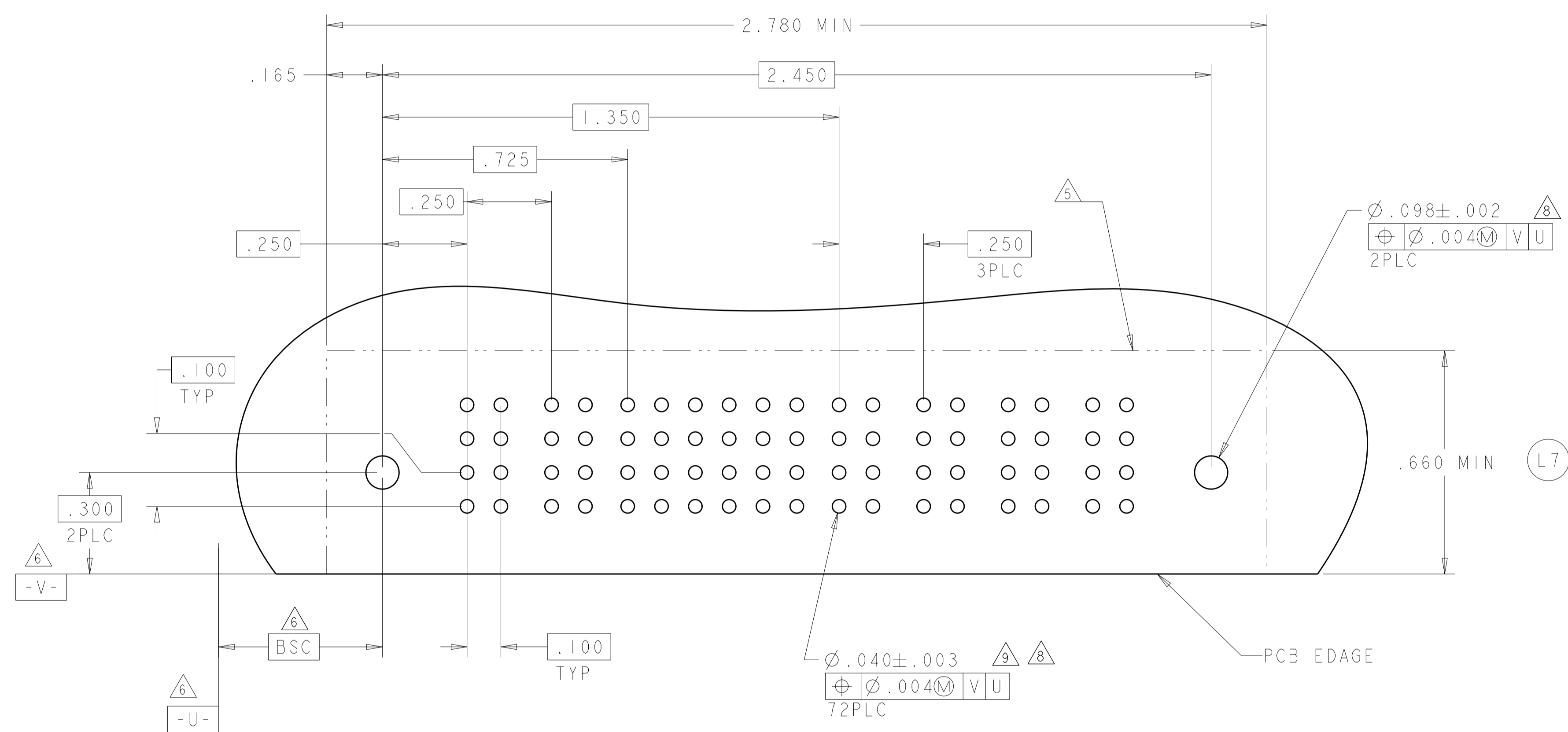
RESTRICTED TO: M2

SCALE: 4:1 SHEET 24 OF 28

LOC	DIST	REVISIONS			
P	LTH	DESCRIPTION	DATE	DWN	APVD
-	-	SEE SHEET 1	-	-	-

PART NUMBER	ROWS	POWER		SIGNAL						POWER			
		P1	P2	1	2	3	4	5	6	P3	P4	P5	P6
9-6450130-8	D	PM	PM	E	J	J	J	J	E	PM	PM	PM	PM
	C			F	K	K	K	K	F				
	B			N	N	N	N	N	N				
	A			S	S	S	S	S	S				

2P + 24S + 4P

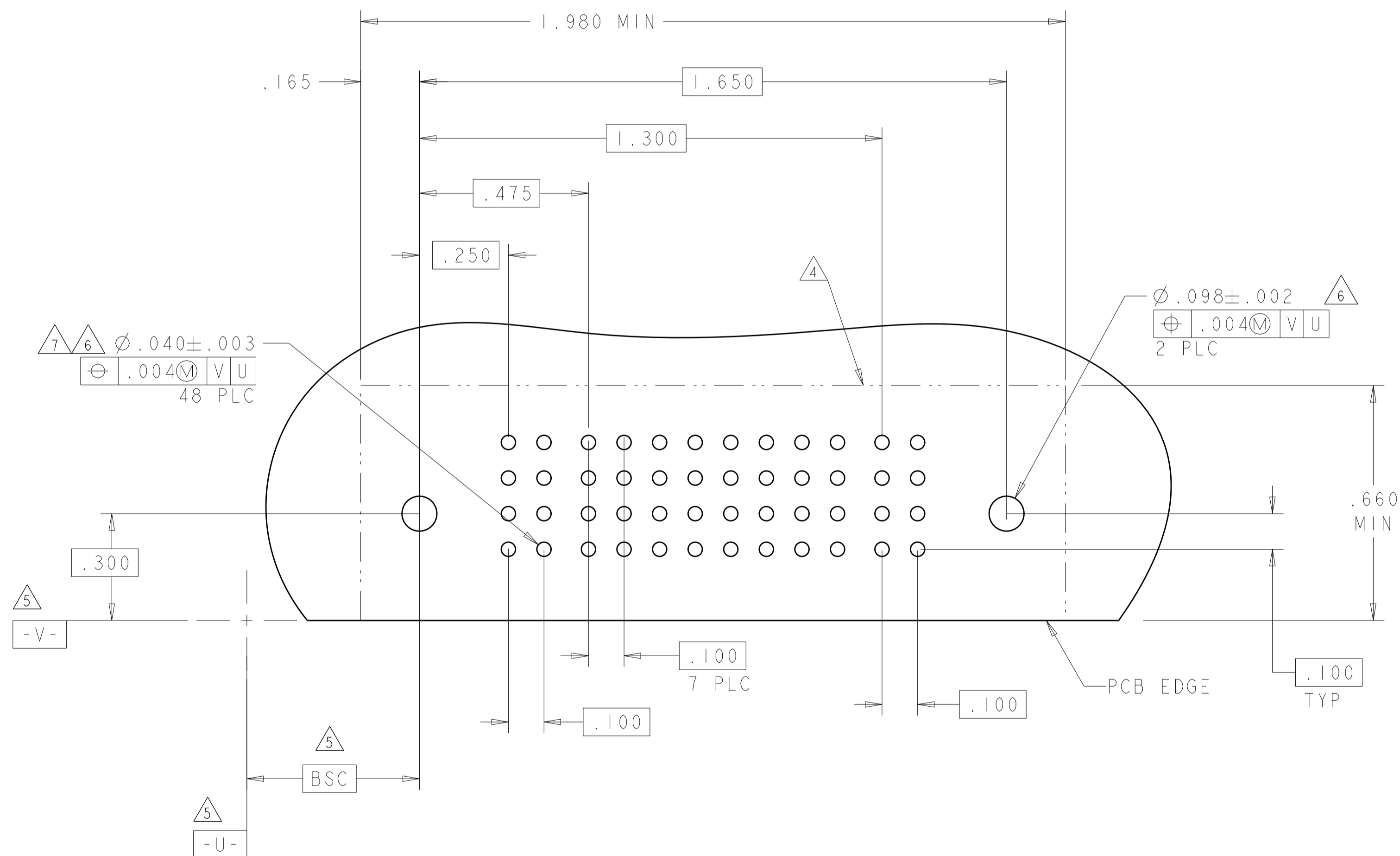
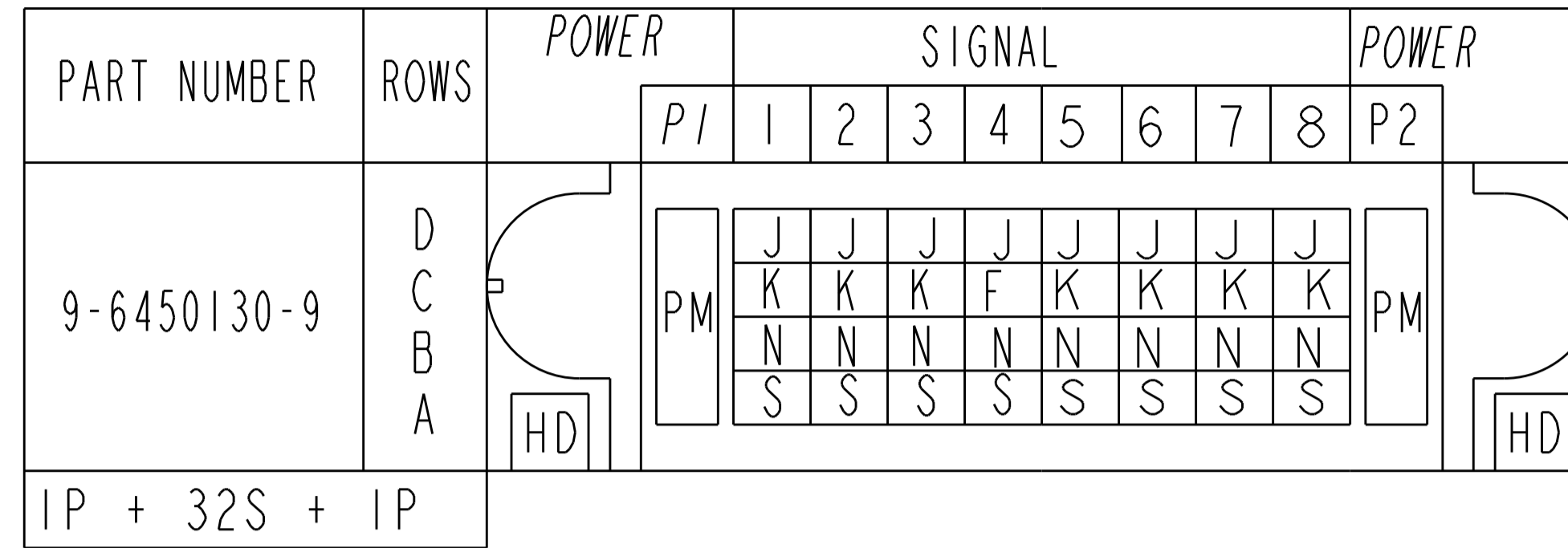


THIS DRAWING IS A CONTROLLED DOCUMENT.

DIMENSIONS: INCHES	TOLERANCES UNLESS OTHERWISE SPECIFIED:	DWN: R. GRZYBOWSKI 14FEB2005	CHK: M. PERCHERKE 14FEB2005	APVD: M. PERCHERKE 14FEB2005	NAME: RIGHT ANGLE HEADER ASSEMBLY W/GUIDES MULTI-BEAM XL
0 PLC ±.01	1 PLC ±.01	PRODUCT SPEC: 108-1973	APPLICATION SPEC: 114-13038	SIZE: A1	CAGE CODE: 6450130
2 PLC ±.01	3 PLC ±.005	WEIGHT: -	SCALE: 4:1	SHEET: 25	OF: 28
4 PLC ±.0020	ANGLES ±.2°	MATERIAL: -	FINISH: -	Customer Drawing	REV: M2

4805 (3/11)

LOC		DIST		REVISIONS				
P	LTR	DESCRIPTION	DATE	DWN	APVD			
-	-	SEE SHEET 1						

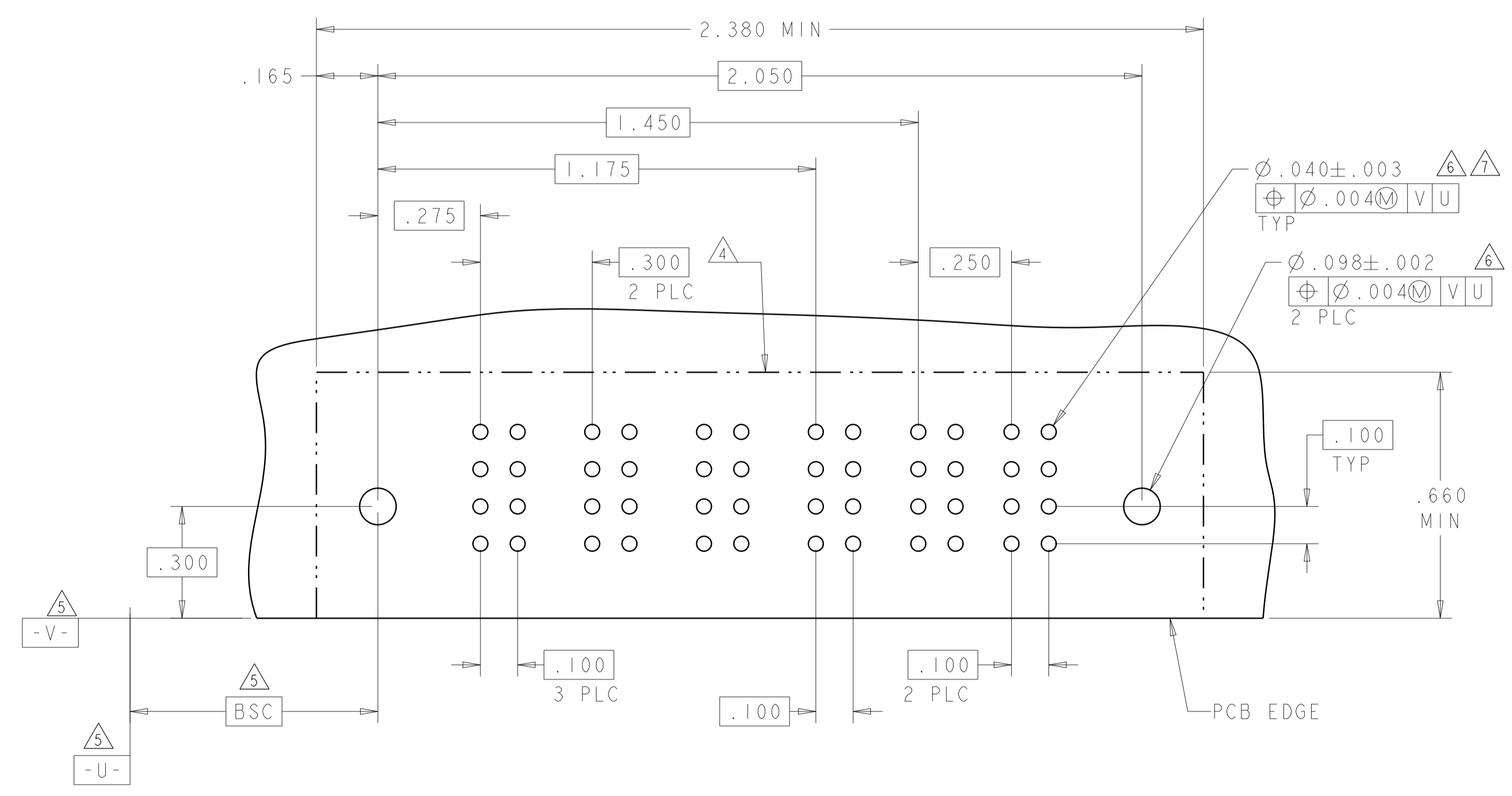


THIS DRAWING IS A CONTROLLED DOCUMENT.		OWN R. GRZYBOWSKI CHK M. PERCHERKE APVD M. PERCHERKE	4FEB2005 14FEB2005 14FEB2005	TE Connectivity		
DIMENSIONS: INCHES	TOLERANCES UNLESS OTHERWISE SPECIFIED:	PRODUCT SPEC				NAME
	0 PLC ± 1 PLC ±.01 2 PLC ±.01 3 PLC ±.005 4 PLC ±.002 ANGLES ±.7°	APPLICATION SPEC		RIGHT ANGLE HEADER ASSEMBLY W/GUIDES MULTI-BEAM XL		
MATERIAL	FINISH	114-13038		SIZE	CAGE CODE DRAWING NO.	RESTRICTED TO
		WEIGHT		A100779	6450130	-
		Customer Drawing		SCALE 4:1	SHEET 26 OF 28	REV M2

LOC	DIST	REVISIONS					
ES	00	P	LTN	DESCRIPTION	DATE	OWN	APVD
		-		SEE SHEET 1			

(L9)

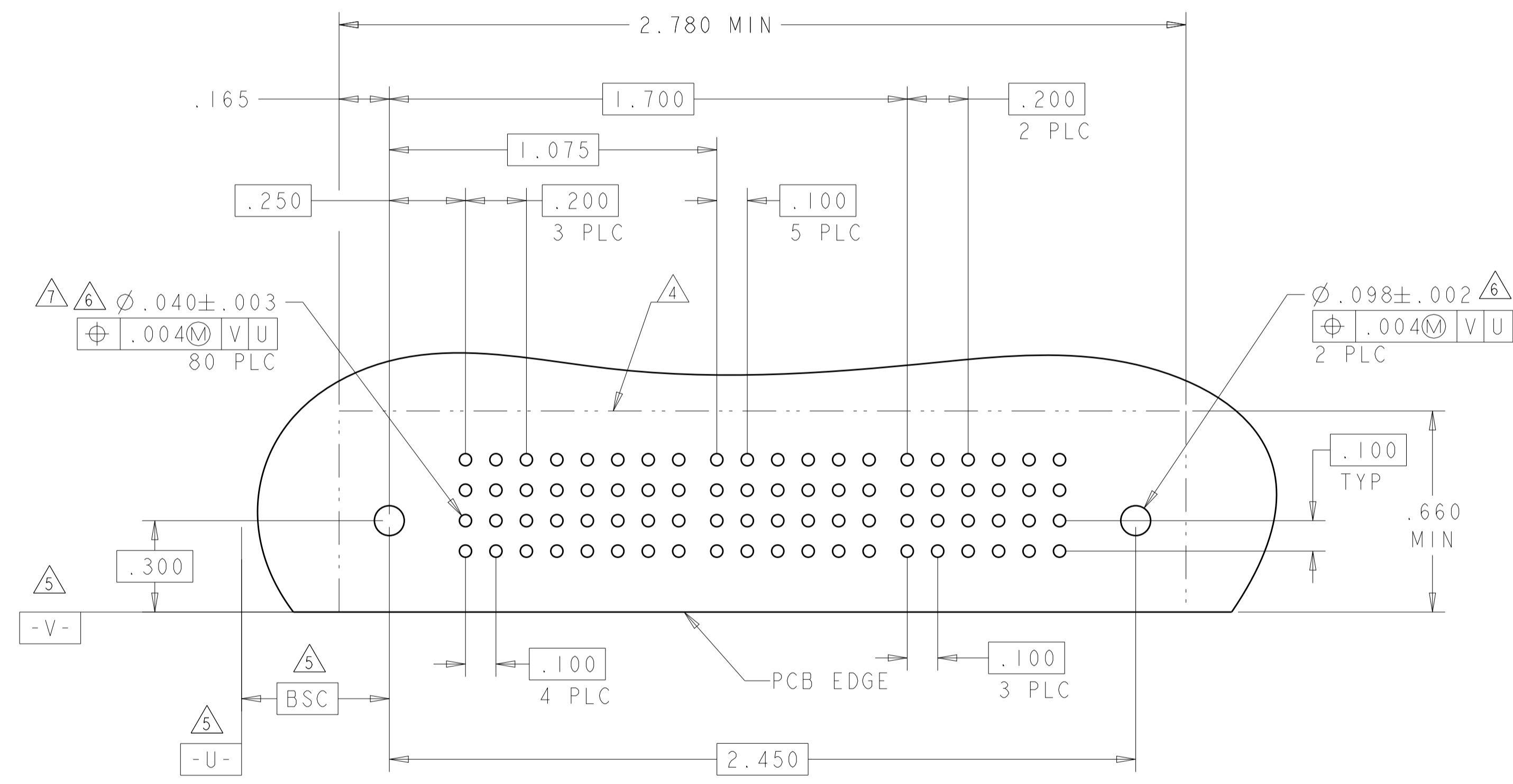
PART NUMBER	ROWS	POWER			SIGNAL		POWER		
		P1	P2	P3	1	2	P4	P5	
7-6450130-1	D	PM	PM	PM	J	J	PM	PM	
	C				K	K			
	B				N	N			
	A				H	S			
		HD							HD
3ACP + 8S + 2P									



THIS DRAWING IS A CONTROLLED DOCUMENT.		OWN: R. GRZYBOWSKI 14FEB2005	 TE Connectivity
DIMENSIONS: INCHES		CHK: M. PERCHERKE 14FEB2005	
TOLERANCES UNLESS OTHERWISE SPECIFIED: 0 PLC ±. 1 PLC ±.01 2 PLC ±.01 3 PLC ±.005 4 PLC ±.0020 ANGLES ±.2°		APVD: M. PERCHERKE 14FEB2005	NAME: RIGHT ANGLE HEADER ASSEMBLY W/GUIDES MULTI-BEAM XL
		PRODUCT SPEC: 108-1973	SIZE: CAGE CODE: DRAWING NO: 114-13038
MATERIAL: -		APPLICATION SPEC: 114-13038	RESTRICTED TO: -
FINISH: -		WEIGHT: -	SCALE: 4:1 SHEET 27 OF 28 REV: M2
		Customer Drawing	

LOC	DIST	REVISIONS			
P	LTN	DESCRIPTION	DATE	DMN	APVD
ES	00	SEE SHEET 1	-	-	-

PART NUMBER	ROWS	POWER				SIGNAL						POWER		
		P1	P2	P3	P4	1	2	3	4	5	6	P5	P6	P7
5-6450130-3	D C B A	PM	PM	PM	PM	J	J	J	J	J	J	PM	PM	PM
						K	K	K	K	K	K			
						N	N	N	N	N	N			
						H	S	S	S	S	S			
4HDP + 24S + 3HDP														



THIS DRAWING IS A CONTROLLED DOCUMENT.		DMN: R. GRZYBOWSKI 14FEB2005 CHK: M. PERCHERKE 14FEB2005 APVD: M. PERCHERKE 14FEB2005	TE Connectivity	
DIMENSIONS: INCHES	TOLERANCES UNLESS OTHERWISE SPECIFIED: 0 PLC ±. 1 PLC ±.01 2 PLC ±.01 3 PLC ±.005 4 PLC ±.0020 ANGLES ±.2°	PRODUCT SPEC: 108-1973 APPLICATION SPEC: 114-13038 WEIGHT: - FINISH: -	NAME: RIGHT ANGLE HEADER ASSEMBLY W/GUIDES MULTI-BEAM XL SIZE: A1 CAGE CODE: 00779 DRAWING NO: 6450130 RESTRICTED TO: -	
MATERIAL: -		Customer Drawing		SCALE: 4:1 SHEET: 28 OF 28 REV: M2

Компания «Океан Электроники» предлагает заключение долгосрочных отношений при поставках импортных электронных компонентов на взаимовыгодных условиях!

Наши преимущества:

- Поставка оригинальных импортных электронных компонентов напрямую с производств Америки, Европы и Азии, а так же с крупнейших складов мира;
- Широкая линейка поставок активных и пассивных импортных электронных компонентов (более 30 млн. наименований);
- Поставка сложных, дефицитных, либо снятых с производства позиций;
- Оперативные сроки поставки под заказ (от 5 рабочих дней);
- Экспресс доставка в любую точку России;
- Помощь Конструкторского Отдела и консультации квалифицированных инженеров;
- Техническая поддержка проекта, помощь в подборе аналогов, поставка прототипов;
- Поставка электронных компонентов под контролем ВП;
- Система менеджмента качества сертифицирована по Международному стандарту ISO 9001;
- При необходимости вся продукция военного и аэрокосмического назначения проходит испытания и сертификацию в лаборатории (по согласованию с заказчиком);
- Поставка специализированных компонентов военного и аэрокосмического уровня качества (Xilinx, Altera, Analog Devices, Intersil, Interpoint, Microsemi, Actel, Aeroflex, Peregrine, VPT, Syfer, Eurofarad, Texas Instruments, MS Kennedy, Miteq, Cobham, E2V, MA-COM, Hittite, Mini-Circuits, General Dynamics и др.);

Компания «Океан Электроники» является официальным дистрибьютором и эксклюзивным представителем в России одного из крупнейших производителей разъемов военного и аэрокосмического назначения «JONHON», а так же официальным дистрибьютором и эксклюзивным представителем в России производителя высокотехнологичных и надежных решений для передачи СВЧ сигналов «FORSTAR».



JONHON

«JONHON» (основан в 1970 г.)

Разъемы специального, военного и аэрокосмического назначения:

(Применяются в военной, авиационной, аэрокосмической, морской, железнодорожной, горно- и нефтедобывающей отраслях промышленности)

«FORSTAR» (основан в 1998 г.)

ВЧ соединители, коаксиальные кабели, кабельные сборки и микроволновые компоненты:

(Применяются в телекоммуникациях гражданского и специального назначения, в средствах связи, РЛС, а так же военной, авиационной и аэрокосмической отраслях промышленности).



Телефон: 8 (812) 309-75-97 (многоканальный)

Факс: 8 (812) 320-03-32

Электронная почта: ocean@oceanchips.ru

Web: <http://oceanchips.ru/>

Адрес: 198099, г. Санкт-Петербург, ул. Калинина, д. 2, корп. 4, лит. А