



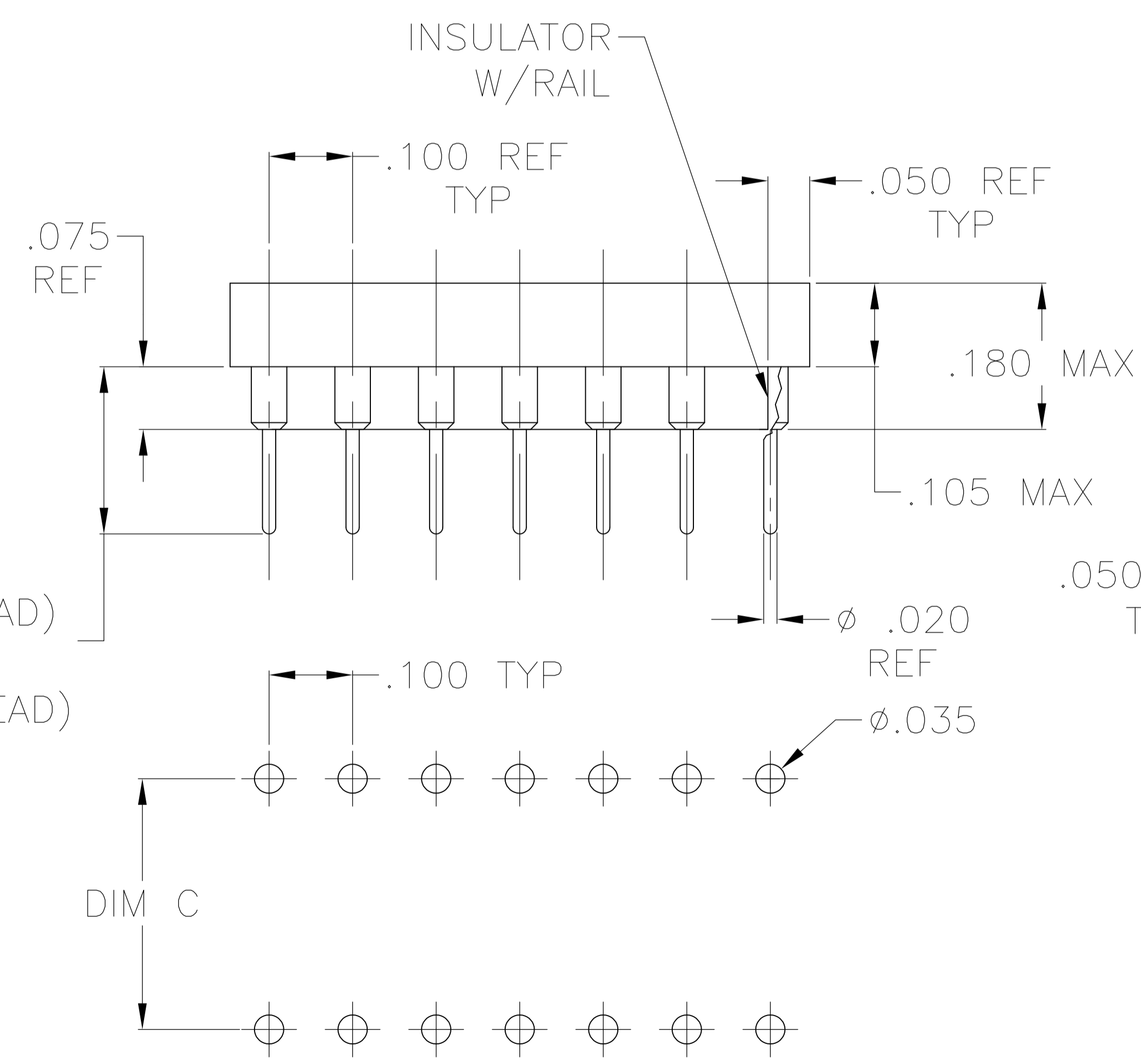
FIG. 1



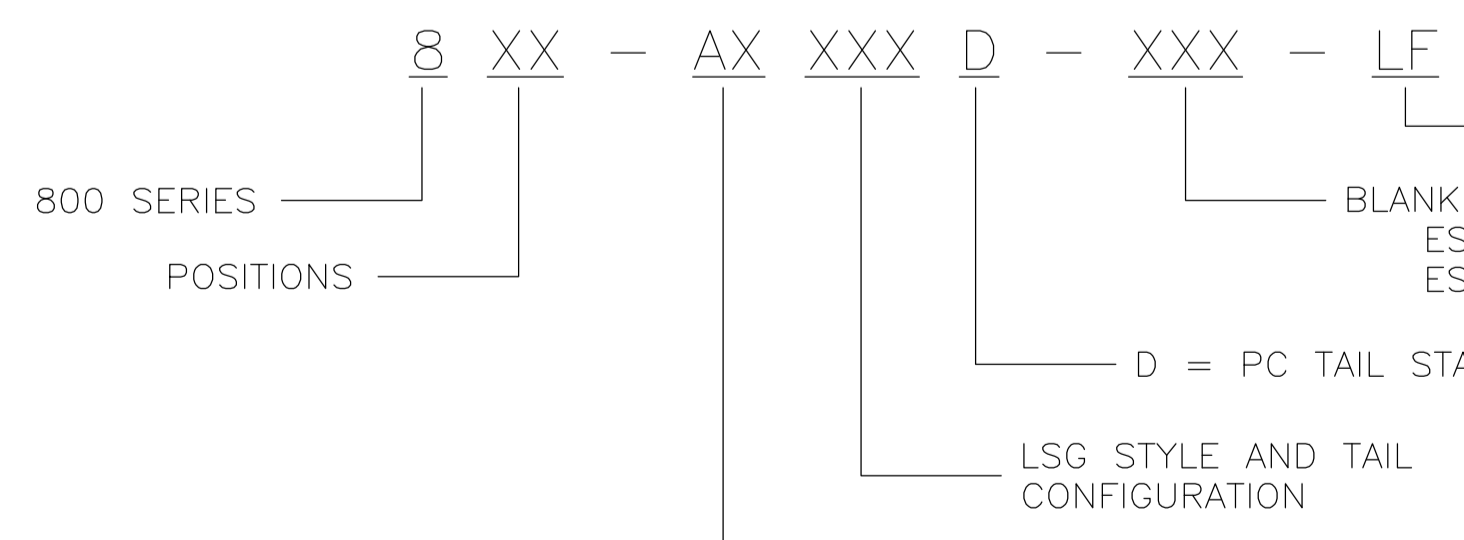
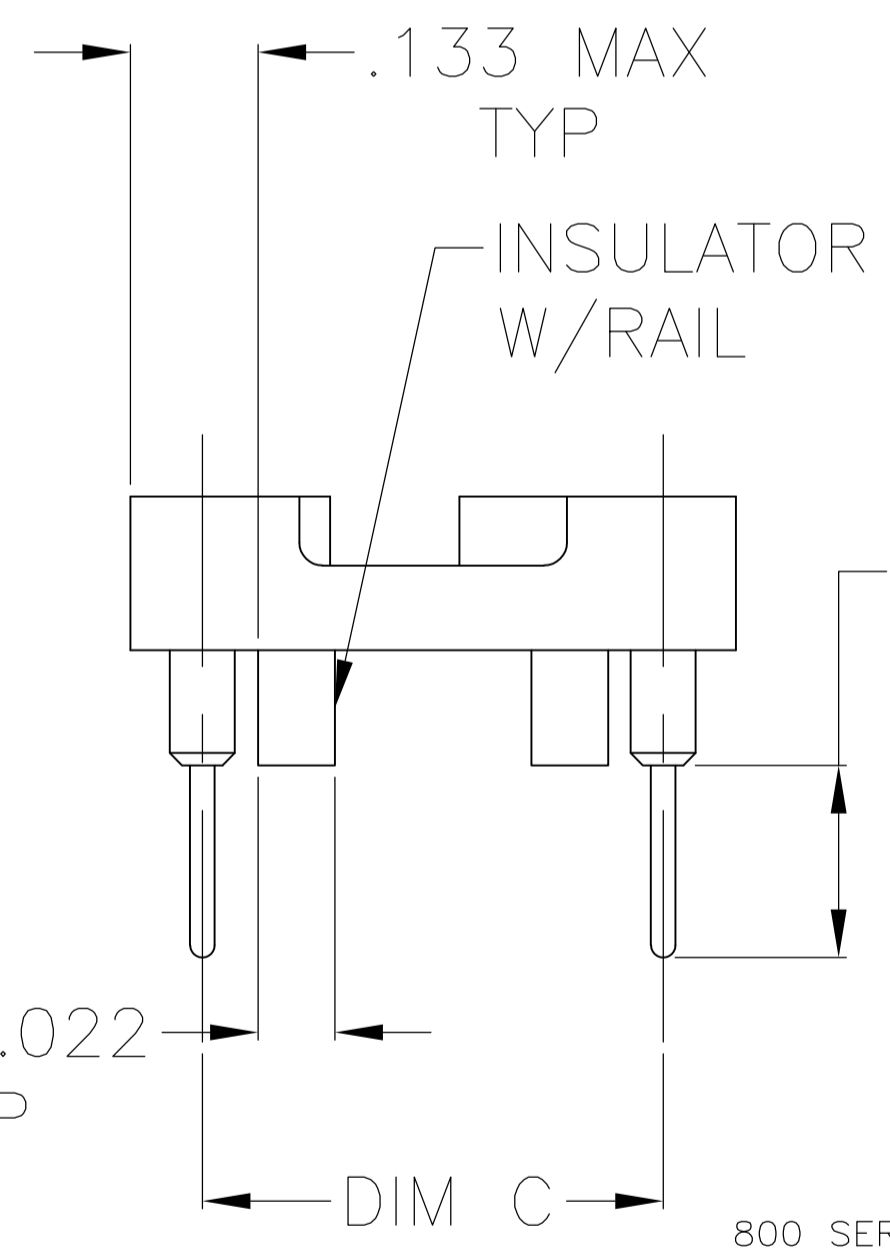
FIG. 2



FIG. 3
(8 POS ONLY)



.210/.180
(STD .125 PC LEAD)
.265/.235
(LONG .180 PC LEAD)



1 **MATERIALS:**
INSULATOR: POLYESTER, UL RATED 94V-0
CONTACT:
800 & 1800 SERIES CONTACT: 4 BEAM, COPPER ALLOY, MACHINED (PREMIUM VERSION) OR FORMED (ECONOMY VERSION, WITH SUFFIX -ES OR -ESL).
800 SERIES HIGH RETENTION CONTACT: 4 BEAM, COPPER ALLOY, MACHINED.
1000 SERIES CONTACT: 6 BEAM, COPPER ALLOY, MACHINED (LOW INSERTION FORCE SERIES)
SLEEVE- ALL SERIES: COPPER ALLOY, FORMED

2 **ELECTRICAL:**
CONTACT RESISTANCE: 10 MILLIOHMS MAX
CONTACT RATING: 3 AMPS
CAPACITANCE: 1.0 pF PER MIL-STD-202, METHOD 305
INSULATION RESISTANCE: 5000 OHMS MIN @ 500 VDC PER MIL-STD-1344, METHOD 3003.1
DIELECTRIC WITHSTANDING VOLTAGE: 1000 VOLTS (RMS) PER MIL-STD-1344, METHOD 3001.1

3 **MECHANICAL:**
AFTER INSERTION FORCE: 37 GRAMS AVG (6 BEAM CONTACT) 134 GRAMS AVG (4 BEAM PREMIUM) 179 GRAMS AVG (4 BEAM ECONOMY) AND 334 GRAMS AVG (HIGH RETENTION)
AFTER WITHDRAWAL FORCE: 15 GRAMS AVG (6 BEAM CONTACT) 63 GRAMS AVG (4 BEAM PREMIUM OR ECONOMY) AND 245 GRAMS AVG (HIGH RETENTION)

4 **ENVIRONMENTAL:**
OPERATING TEMPERATURE: -55°C TO -105°C

5 **PLATING:** 25μ" MIN GOLD OVER 50μ" MIN NICKEL CONTACT WITH 5μ" MIN GOLD OVER 50μ" MIN NICKEL SLEEVE.

6 **PLATING:** 25μ" MIN GOLD OVER 50μ" MIN NICKEL CONTACT WITH 80μ" MIN TIN-LEAD OVER 50μ" MIN COPPER SLEEVE.

7 **PLATING:** 80μ" MIN TIN-LEAD OVER 75μ" MIN COPPER CONTACT WITH 180μ" MIN TIN-LEAD OVER 75μ" MIN NICKEL SLEEVE.

8 **PLATING:** 5μ" MIN GOLD FLASH OVER 50μ" MIN NICKEL CONTACT WITH 5μ" MIN GOLD FLASH OVER 50μ" MIN NICKEL SLEEVE.

9 **PLATING:** 5μ" MIN GOLD FLASH OVER 50μ" MIN NICKEL CONTACT WITH 80μ" MIN TIN-LEAD OVER 50μ" MIN COPPER SLEEVE.

10 **PLATING:** 7.5μ" MIN GOLD OVER 50μ" MIN NICKEL CONTACT WITH 80μ" MIN TIN-LEAD OVER 50μ" MIN COPPER SLEEVE.

11 PRELIMINARY PART - NOT RELEASED FOR PRODUCTION.

12 806-AGXXD-XXX SERIES IS SUPERSEDED BY 506-AGXXD-XXX SERIES (REFER TO CUSTOMER DRAWING 1437532-2)

13 **PLATING:** 25μ" MIN GOLD OVER 50μ" MIN NICKEL CONTACT WITH 80μ" MIN MATTE TIN OVER 50μ" MIN COPPER SLEEVE.

14 **PLATING:** 80μ" MIN MATTE TIN OVER 75μ" MIN COPPER CONTACT WITH 180μ" MIN MATTE TIN OVER 75μ" MIN NICKEL SLEEVE.

15 **PLATING:** 5μ" MIN GOLD FLASH OVER 50μ" MIN NICKEL CONTACT WITH 80μ" MIN MATTE TIN OVER 50μ" MIN COPPER SLEEVE.

16 **PLATING:** 7.5μ" MIN GOLD OVER 50μ" MIN NICKEL CONTACT WITH 80μ" MIN MATTE TIN OVER 50μ" MIN COPPER SLEEVE.

17 **OBsolete PARTS:** OBSOLETE CIS STREAMLINING PER D.RENAUD/D.SINISI

AG = INSULATOR
AR = INSULATOR WITH RAILS
(ALMOST RUN THE LENGTH UNDER THE INSULATOR INSIDE THE CONTACT ROWS, .075 REF HIGH & .045 REF WIDE)

| | | | |
|--|------------|-----------------------|---|
| THIS DRAWING IS A CONTROLLED DOCUMENT. | | DIN R BROWN 06MAY04 | Tyco Electronics Tyco Electronics Corporation Harrisburg, Pa 17105-3608 |
| DIMENSIONS: INCHES | | CHK K WRIGHT 06MAY04 | |
| TOLERANCES UNLESS OTHERWISE SPECIFIED: | | APVD K WRIGHT 06MAY04 | NAME |
| 0 PLC ± - | 1 PLC ± - | 2 PLC ± - | 3 PLC ± .005 |
| 4 PLC ± - | ANGLES ± - | APPLICATION SPEC | |
| MATERIAL | | FINISH | |
| WEIGHT | | SIZE | CAGE CODE |
| CUSTOMER DRAWING | | DRAWING NO | |
| SCALE 1:1 | | SHEET 1 OF 4 | |
| REV A3 | | RESTRICTED TO | |

800 SERIES MACHINED PREMIUM CONTACT LEAD FREE PART NUMBER TABLE

| COMMENTS | PLATING | C | B | A | FIG | AUGAT PART NO. | TE PART NO. |
|-------------------------------|---------|-----------|-------|-------|-----|----------------|-------------|
| HIGH RETENTION | 13 | .895/.905 | 1.000 | 3.200 | 2 | 864-AG34D-LF | 5-6437538-4 |
| HIGH RETENTION | 13 | .595/.605 | .700 | 2.400 | 2 | 848-AG34D-LF | 9-1437538-5 |
| OBSOLETE W/RAILS | 13 | | | | | 840-AR11D-LF | 8-1437538-6 |
| .180 PC LEAD | 14 | .595/.605 | .700 | 2.000 | 2 | 840-AG43D-LF | 8-1437538-4 |
| HIGH RETENTION | 13 | | | | | 840-AG34D-LF | 8-1437538-3 |
| HIGH RETENTION | 14 | .595/.605 | .700 | 1.600 | 2 | 832-AG38D-LF | 9-6437533-4 |
| HIGH RETENTION | 13 | | | | | 832-AG34D-LF | 2-6437538-5 |
| OBSOLETE W/RAILS | 14 | | | | | 828-AR12D-LF | 6-6437538-9 |
| OBSOLETE W/RAILS | 13 | .595/.605 | .700 | 1.400 | 1 | 828-AR11D-LF | 1-6437538-6 |
| .180 PC LEAD | 14 | | | | | 828-AG43D-LF | 6437538-4 |
| OBSOLETE HIGH RETENTION | 13 | | | | | 828-AG34D-LF | 1-6437538-3 |
| OBSOLETE W/RAILS | 13 | .295/.305 | .400 | 1.200 | 1 | 824-AR31D-LF | 5-6437538-1 |
| OBSOLETE W/RAILS | 13 | .595/.605 | .700 | 1.200 | 1 | 824-AR11D-LF | 9-6437537-9 |
| .180 PC LEAD | 13 | .295/.305 | .400 | 1.200 | 1 | 824-AG47D-LF | 9-6437537-7 |
| OBSOLETE .180 PC LEAD | 14 | .395/.405 | .500 | 1.200 | 1 | 824-AG446D-LF | 9-6437537-6 |
| HIGH RETENTION | 13 | .595/.605 | .700 | 1.200 | 1 | 824-AG34D-LF | 9-6437537-5 |
| HIGH RETENTION | 14 | | | | | 824-AG338D-LF | 9-6437537-4 |
| HIGH RETENTION | 13 | .295/.305 | .400 | 1.200 | 1 | 824-AG334D-LF | 9-6437537-3 |
| .180 PC LEAD | 14 | .295/.305 | .400 | 1.000 | 1 | 820-AG43D-LF | 7-6437537-3 |
| HIGH RETENTION | 13 | | | | | 820-AG34D-LF | 7-6437537-2 |
| OBSOLETE .180 PC LEAD W/RAILS | 13 | .295/.305 | .400 | .900 | 1 | 818-AR44D-LF | 4-6437539-9 |
| OBSOLETE W/RAILS | 13 | | | | | 818-AR11D-LF | 6-6437537-2 |
| OBSOLETE W/RAILS | 13 | | | | | 816-AR11D-LF | 5-6437537-4 |
| HIGH RETENTION | 13 | .295/.305 | .400 | .800 | 1 | 816-AG34D-LF | 5-6437537-1 |
| OBSOLETE W/RAILS | 13 | | | | | 814-AR11D-LF | 3-6437537-5 |
| .180 PC LEAD | 14 | .295/.305 | .400 | .700 | 1 | 814-AG43D-LF | 3-6437537-2 |
| HIGH RETENTION | 13 | | | | | 814-AG34D-LF | 3-6437537-1 |
| OBSOLETE W/RAILS | 13 | .295/.305 | .400 | .400 | 3 | 808-AR11D-LF | 1-6437537-9 |
| .180 PC LEAD | 14 | | | | | 808-AG43D-LF | 6437537-5 |
| HIGH RETENTION | 13 | | | | | 808-AG34D-LF | 6437537-4 |

800 SERIES MACHINED PREMIUM CONTACT PART NUMBER TABLE

| COMMENTS | PLATING | C | B | A | FIG | AUGAT PART NO. | TE PART NO. |
|---------------------------------------|---------|-----------|------|-------|-----|----------------|-------------|
| OBSOLETE W/RAILS | 6 | .295/.305 | .400 | 1.200 | 1 | 824-AR31D | 0-1437538-1 |
| OBSOLETE W/RAILS | 6 | .595/.605 | .700 | 1.200 | 1 | 824-AR11D | 9-1437537-9 |
| - | 6 | .395/.405 | .500 | 1.200 | 1 | 824-AG66D | 9-1437537-8 |
| .180 PC LEAD | 6 | .295/.305 | .400 | 1.200 | 1 | 824-AG47D | 9-1437537-7 |
| .180 PC LEAD | 5 | .595/.605 | .700 | 1.200 | 1 | 824-AG45D | 6-1437538-6 |
| .180 PC LEAD | 7 | .395/.405 | .500 | 1.200 | 1 | 824-AG446D | 9-1437537-6 |
| HIGH RETENTION | 6 | .595/.605 | .700 | 1.200 | 1 | 824-AG34D | 9-1437537-5 |
| HIGH RETENTION | 5 | | | | | 824-AG33D | 8-1437539-2 |
| HIGH RETENTION | 7 | | | | | 824-AG338D | 9-1437537-4 |
| HIGH RETENTION | 6 | | | | | 824-AG334D | 9-1437537-3 |
| - | 7 | .295/.305 | .400 | 1.200 | 1 | 824-AG32D | 9-1437537-2 |
| - | 6 | | | | | 824-AG31D | 8-1437537-9 |
| - | 5 | | | | | 824-AG30D | 8-1437537-7 |
| - | 7 | .395/.405 | .500 | 1.200 | 1 | 824-AG14D | 8-1437537-6 |
| - | 7 | | | | | 824-AG12D | 8-1437537-5 |
| - | 6 | .595/.605 | .700 | 1.200 | 1 | 824-AG11D | 8-1437537-2 |
| - | 5 | | | | | 824-AG10D | 8-1437537-1 |
| - | 6 | .295/.305 | .400 | 1.100 | 1 | 822-AG11D | 7-1437537-8 |
| - | 5 | | | | | 822-AG10D | 7-1437537-7 |
| OBSOLETE W/RAILS | 6 | | | | | 820-AR11D | 7-1437537-6 |
| .180 PC LEAD | 5 | | | | | 820-AG45D | 7-1437537-5 |
| .180 PC LEAD | 6 | | | | | 820-AG44D | 7-1437537-4 |
| .180 PC LEAD | 7 | .295/.305 | .400 | 1.000 | 1 | 820-AG43D | 7-1437537-3 |
| HIGH RETENTION | 6 | | | | | 820-AG34D | 7-1437537-2 |
| - | 7 | | | | | 820-AG12D | 6-1437537-9 |
| - | 6 | | | | | 820-AG11D | 6-1437537-6 |
| - | 5 | | | | | 820-AG10D | 6-1437537-4 |
| .180 PC LEAD W/RAILS | 6 | .295/.305 | .400 | .900 | 1 | 818-AR44D | 4-1437539-9 |
| W/RAILS | 6 | | | | | 818-AR11D | 6-1437537-2 |
| .180 PC LEAD | 6 | | | | | 818-AG44D | 6-1437537-1 |
| HIGH RETENTION S/B 5-1437537-7 | 6 | | | | | 818-AG34D | 5-1437538-8 |
| - | 7 | | | | | 818-AG12D | 6-1437537-0 |
| - | 6 | | | | | 818-AG11D | 5-1437537-7 |
| - | 5 | | | | | 818-AG10D | 5-1437537-6 |
| W/RAILS | 6 | | | | | 816-AR11D | 5-1437537-4 |
| .180 PC LEAD | 5 | .295/.305 | .400 | .800 | 1 | 816-AG45D | 5-1437537-3 |
| .180 PC LEAD | 6 | | | | | 816-AG44D | 5-1437537-2 |
| HIGH RETENTION | 6 | | | | | 816-AG34D | 5-1437537-1 |
| HIGH RETENTION | 5 | | | | | 816-AG33D | 5-1437537-0 |
| - | 7 | | | | | 816-AG12D | 4-1437537-6 |
| - | 6 | | | | | 816-AG11D | 4-1437537-0 |
| - | 5 | | | | | 816-AG10D | 3-1437537-7 |
| .180 PC LEAD, W/RAILS S/B 3-1437537-3 | 6 | | | | | 814-AR44D | 5-1437533-2 |
| W/RAILS | 6 | | | | | 814-AR11D | 3-1437537-5 |
| .180 PC LEAD | 5 | .295/.305 | .400 | .700 | 1 | 814-AG45D | 3-1437537-4 |
| .180 PC LEAD | 6 | | | | | 814-AG44D | 3-1437537-3 |
| .180 PC LEAD | 7 | | | | | 814-AG34D | 3-1437537-2 |
| HIGH RETENTION | 6 | | | | | 814-AG33D | 3-1437537-1 |
| - | 7 | | | | | 814-AG12D | 2-1437537-9 |
| - | 6 | | | | | 814-AG11D | 2-1437537-4 |
| - | 5 | | | | | 814-AG10D | 2-1437537-1 |
| W/RAILS | 6 | | | | | 808-AR11D | 1-1437537-9 |
| .180 PC LEAD | 5 | .295/.305 | .400 | .400 | 3 | 808-AG45D | 1-1437537-8 |
| .180 PC LEAD | 6 | | | | | 808-AG44D | 1-1437537-7 |
| .180 PC LEAD | 7 | | | | | 808-AG43D | 1-1437537-5 |
| HIGH RETENTION | 6 | | | | | 808-AG34D | 1-1437537-4 |
| - | 7 | | | | | 808-AG12D | 1-1437537-2 |
| - | 6 | | | | | 808-AG11D | 0-1437537-8 |
| - | 5 | | | | | 808-AG10D | 0-1437537-5 |
| S/B 6-1437529-8 | 6 | .295/.305 | .400 | .300 | - | 806-AG11D | 2-1437533-5 |
| SUPERSEDED BY 6-1437529-5 | 5 | | | | | 806-AG10D | 2-1437533-3 |

800 SERIES MACHINED PREMIUM CONTACT PART NUMBER TABLE

| COMMENTS | PLATING | C | B | A | FIG | AUGAT PART NO. | TE PART NO. |
|-------------------------|---------|-----------|-------|-------|-----|----------------|-------------|
| OBSOLETE HIGH RETENTION | 6 | .895/.905 | 1.000 | 3.200 | 2 | 864-AG34D | 5-1437538-4 |
| - | 7 | | | | | 864-AG12D | 5-1437538-2 |
| - | 6 | | | | | 864-AG11D | 4-1437538-8 |
| - | 5 | | | | | 864-AG10D | 3-1437540-1 |
| OBSOLETE W/RAILS | 6 | | | | | 848-AR11D | 4-1437538-6 |
| OBSOLETE HIGH RETENTION | 6 | .595/.605 | .700 | 2.400 | 2 | 848-AG34D | 4-1437538-5 |
| - | 7 | | | | | 848-AG12D | 4-1437538-4 |
| - | 6 | | | | | 848-AG11D | 4-1437538-1 |
| OBSOLETE | 5 | .595/.605 | .700 | 2.100 | 2 | 848-AG10D | 3-1437538-9 |
| OBSOLETE | 7 | | | | | 842-AG12D | 3-1437538-8 |
| OBSOLETE | 6 | | | | | 842-AG11D | 3-1437538-7 |
| OBSOLETE W/RAILS | 6 | | | | | 840-AR11D | 3-1437538-6 |
| .180 PC LEAD | 6 | .595/.605 | .700 | 2.000 | 2 | 840-AG44D | 3-1437538-5 |
| .180 PC LEAD | 7 | | | | | 840-AG43D | 3-1437538-4 |
| HIGH RETENTION | 6 | | | | | 840-AG34D | 3-1437538-3 |
| - | 7 | | | | | 840-AG12D | 3-1437538-2 |
| - | 6 | | | | | 840-AG11D | 3-1437538-0 |
| - | 5 | .595/.605 | .700 | 1.800 | 2 | 840-AG10D | 2-1437538-9 |
| - | 6 | | | | | 836-AG11D | 2-1437538-7 |
| S/B 2-1437528-4 | 7 | | | | | 832-AR12D | 9-1437533-7 |
| OBSOLETE HIGH RETENTION | 7 | .595/.605 | .700 | 1.600 | 2 | 832-AG38D | 9-1437533-4 |
| HIGH RETENTION | 6 | | | | | 832-AG34D | 2-1437538-5 |
| - | 7 | | | | | 832-AG12D | 2-1437538-4 |
| - | 6 | | | | | 832-AG11D | 2-1437538-2 |
| - | 5 | | | | | 832-AG10D | 2-1437538-1 |
| W/RAILS | 7 | | | | | 828-AR12D | 6-1437538-9 |
| OBSOLETE W/RAILS | 6 | | | | | 828-AR11D | 1-1437538-6 |
| OBSOLETE .180 PC LEAD | 6 | .595/.605 | .700 | 1.400 | 1 | 828-AG44D | 1-1437538-5 |
| OBSOLETE .180 PC LEAD | 7 | | | | | 828-AG43D | 1-1437538-4 |
| HIGH RETENTION | 6 | | | | | 828-AG34D | 1-1437538-3 |
| - | 7 | | | | | 828-AG12D | 1-1437538-0 |
| - | 6 | | | | | 828-AG11D | 0-1437538-4 |
| - | 5 | | | | | 828-AG10D | 0-1437538-3 |

THIS DRAWING IS A CONTROLLED DOCUMENT.

DIN R BROWN 06MAY04
 CHK K WRIGHT 06MAY04
 APVD K WRIGHT 06MAY04

Tyco Electronics Tyco Electronics Corporation
 Harrisburg, Pa 17105-3608

PRODUCT SPEC
 NAME
 APPLICATION SPEC
 SIZE CASE CODE DRAWING NO
 WEIGHT
 A1 00779 1437539-2

DIP SOCKET, 800 SERIES

MATERIAL FINISH
 WEIGHT
 CUSTOMER DRAWING SCALE 1:1 SHEET 2 OF 4 REV A3

800 SERIES STAMPED ECONOMY CONTACT LEAD FREE PART NUMBER TABLE

Table with columns: COMMENTS, PLATING, C, B, A, FIG, AUGAT PART NO., TE PART NO. Rows include various part numbers and dimensions.

800 SERIES STAMPED ECONOMY CONTACT PART NUMBER TABLE

Table with columns: COMMENTS, PLATING, C, B, A, FIG, AUGAT PART NO., TE PART NO. Rows include various part numbers and dimensions.

800 SERIES STAMPED ECONOMY CONTACT PART NUMBER TABLE

Table with columns: COMMENTS, PLATING, C, B, A, FIG, AUGAT PART NO., TE PART NO. Rows include various part numbers and dimensions.

THIS DRAWING IS A CONTROLLED DOCUMENT. Tyco Electronics Corporation. DIP SOCKET, 800 SERIES. DIMENSIONS: INCHES. TOLERANCES UNLESS OTHERWISE SPECIFIED.

1000 SERIES MACHINED PREMIUM CONTACT, LOW INSERTION FORCE PART NUMBER TABLE

| COMMENTS | PLATING | C | B | A | FIG | AUGAT PART NO. | TE PART NO. |
|-----------------|---------|-----------|-------|-------|-----|----------------|-------------|
| S/B 4-1437538-8 | 6 | .895/.905 | 1.000 | 3.200 | 2 | 1064-AG11D | 2-1437529-4 |
| S/B 3-1437540-1 | 5 | .895/.905 | 1.000 | 3.200 | 2 | 1064-AG10D | 2-1437529-3 |
| S/B 3-1437538-0 | 6 | .595/.605 | .700 | 2.000 | 2 | 1040-AG11D | 2-1437529-2 |
| S/B 2-1437538-2 | 6 | .595/.605 | .700 | 1.600 | 2 | 1032-AG11D | 2-1437529-1 |
| S/B 1437538-4 | 6 | .595/.605 | .700 | 1.400 | 1 | 1028-AG11D | 1-1437529-9 |
| S/B 8-1437537-9 | 6 | .295/.305 | .400 | 1.200 | 1 | 1024-AG31D | 1-1437529-8 |
| S/B 8-1437537-2 | 6 | .595/.605 | .700 | 1.200 | 1 | 1024-AG11D | 1-1437529-6 |
| S/B 8-1437537-1 | 5 | .595/.605 | .700 | 1.200 | 1 | 1024-AG10D | 1-1437529-5 |
| S/B 6-1437537-6 | 6 | .295/.305 | .400 | 1.000 | 1 | 1020-AG11D | 1-1437529-4 |
| S/B 6-1437537-4 | 5 | .295/.305 | .400 | 1.000 | 1 | 1020-AG10D | 1-1437529-3 |
| S/B 5-1437537-7 | 6 | .295/.305 | .400 | .900 | 1 | 1018-AG11D | 1-1437529-2 |
| S/B 5-1437537-6 | 5 | .295/.305 | .400 | .900 | 1 | 1018-AG10D | 1-1437529-1 |
| S/B 4-1437537-0 | 6 | .295/.305 | .400 | .800 | 1 | 1016-AG11D | 1-1437529-0 |
| S/B 3-1437537-7 | 5 | .295/.305 | .400 | .800 | 1 | 1016-AG10D | 0-1437529-9 |
| S/B 2-1437537-4 | 6 | .295/.305 | .400 | .700 | 1 | 1014-AG11D | 0-1437529-7 |
| S/B 2-1437537-1 | 5 | .295/.305 | .400 | .700 | 1 | 1014-AG10D | 0-1437529-6 |
| S/B 1437537-8 | 6 | .295/.305 | .400 | .400 | 3 | 1008-AG11D | 0-1437529-5 |
| S/B 1437537-5 | 5 | .295/.305 | .400 | .400 | 3 | 1008-AG10D | 0-1437529-4 |

1800 SERIES MACHINED PREMIUM CONTACT, LOW GOLD PART NUMBER TABLE

| | | | | | | | | |
|------------|-------------------------|----|-----------|-------|-------|---|-------------|-------------|
| | S/B 5-1437538-0 | 10 | .895/.905 | 1.000 | 3.200 | 2 | 1864-AG111D | 5-1437529-1 |
| | S/B 6-1437540-2 W/RAILS | 10 | .595/.605 | .700 | 2.400 | 2 | 1848-AR111D | 5-1437529-0 |
| | S/B 4-1437538-2 | 10 | .595/.605 | .700 | 2.100 | 2 | 1848-AG111D | 4-1437529-9 |
| | S/B 2-1437540-4 | 10 | .595/.605 | .700 | 2.100 | 2 | 1842-AG111D | 4-1437529-8 |
| | S/B 2-1437540-2 W/RAILS | 10 | .595/.605 | .700 | 2.000 | 2 | 1840-AR111D | 4-1437529-7 |
| | S/B 1-1437540-7 | 10 | .595/.605 | .700 | 2.000 | 2 | 1840-AG111D | 4-1437529-6 |
| | S/B 1437540-3 | 10 | .595/.605 | .700 | 1.600 | 2 | 1832-AG111D | 4-1437529-5 |
| | S/B 9-1437539-7 W/RAILS | 10 | .595/.605 | .700 | 1.400 | 1 | 1828-AR111D | 4-1437529-4 |
| | S/B 9-1437539-2 | 10 | .595/.605 | .700 | 1.400 | 1 | 1828-AG111D | 4-1437529-3 |
| | S/B 3-1437540-9 W/RAILS | 10 | .295/.305 | .400 | 1.200 | 1 | 1824-AR131D | 4-1437529-2 |
| OBSOLETE | S/B 8-1437539-6 W/RAILS | 10 | .595/.605 | .700 | 1.200 | 1 | 1824-AR111D | 4-1437529-1 |
| OBSOLETE | S/B 8-1437539-4 | 10 | .395/.405 | .500 | 1.200 | 1 | 1824-AG141D | 4-1437529-0 |
| | S/B 7-1437539-7 | 10 | .295/.305 | .400 | 1.200 | 1 | 1824-AG131D | 3-1437529-9 |
| | S/B 7-1437539-0 | 10 | .595/.605 | .700 | 1.200 | 1 | 1824-AG111D | 3-1437529-8 |
| | S/B 6-1437539-3 | 10 | .395/.405 | .500 | 1.100 | 1 | 1822-AG111D | 3-1437529-7 |
| | S/B 5-1437539-8 W/RAILS | 10 | .295/.305 | .400 | 1.000 | 1 | 1820-AR111D | 3-1437529-6 |
| SUPERSEDED | S/B 5-1437539-3 | 10 | .295/.305 | .400 | 1.000 | 1 | 1820-AG111D | 3-1437529-5 |
| | S/B 4-1437539-8 W/RAILS | 10 | .295/.305 | .400 | .900 | 1 | 1818-AR111D | 3-1437529-5 |
| | S/B 4-1437539-4 | 10 | .295/.305 | .400 | .900 | 1 | 1818-AG111D | 3-1437529-3 |
| OBSOLETE | S/B 3-1437539-5 W/RAILS | 10 | .295/.305 | .400 | .800 | 1 | 1816-AR111D | 3-1437529-2 |
| | S/B 2-1437539-9 | 10 | .295/.305 | .400 | .800 | 1 | 1816-AG111D | 3-1437529-1 |
| | S/B 2-1437539-3 W/RAILS | 10 | .295/.305 | .400 | .700 | 1 | 1814-AR111D | 3-1437529-0 |
| | S/B 1-1437539-7 | 10 | .295/.305 | .400 | .700 | 1 | 1814-AG111D | 2-1437529-9 |
| | S/B 1-1437539-1 W/RAILS | 10 | .295/.305 | .400 | .400 | 3 | 1808-AR111D | 2-1437529-6 |
| | S/B 1437539-6 | 10 | .295/.305 | .400 | .400 | 3 | 1808-AG111D | 2-1437529-5 |
| OBSOLETE | S/B 1437539-8 | 10 | .295/.305 | .400 | .300 | | 1806-AG111D | 0-1437535-2 |

| | | | | |
|--|--|-------------------------------|---|--|
| THIS DRAWING IS A CONTROLLED DOCUMENT. | | DIN R BROWN 06MAY04 | Tyco Electronics Corporation Harrisburg, Pa 17105-3608 | |
| DIMENSIONS: INCHES | | CHK K WRIGHT 06MAY04 | NAME | |
| TOLERANCES UNLESS OTHERWISE SPECIFIED: | | APVD K WRIGHT 06MAY04 | PRODUCT SPEC | |
| 0 PLC ± - | | APPLICATION SPEC | | |
| 1 PLC ± - | | SIZE CASE CODE DRAWING NO | | |
| 2 PLC ± - | | WEIGHT | | |
| 3 PLC ± .005 | | A1 00779 1437539-2 | | |
| 4 PLC ± - | | CUSTOMER DRAWING | | |
| ANGLES ± - | | SCALE 1:1 SHEET 4 OF 4 REV A3 | | |

Компания «Океан Электроники» предлагает заключение долгосрочных отношений при поставках импортных электронных компонентов на взаимовыгодных условиях!

Наши преимущества:

- Поставка оригинальных импортных электронных компонентов напрямую с производств Америки, Европы и Азии, а так же с крупнейших складов мира;
- Широкая линейка поставок активных и пассивных импортных электронных компонентов (более 30 млн. наименований);
- Поставка сложных, дефицитных, либо снятых с производства позиций;
- Оперативные сроки поставки под заказ (от 5 рабочих дней);
- Экспресс доставка в любую точку России;
- Помощь Конструкторского Отдела и консультации квалифицированных инженеров;
- Техническая поддержка проекта, помощь в подборе аналогов, поставка прототипов;
- Поставка электронных компонентов под контролем ВП;
- Система менеджмента качества сертифицирована по Международному стандарту ISO 9001;
- При необходимости вся продукция военного и аэрокосмического назначения проходит испытания и сертификацию в лаборатории (по согласованию с заказчиком);
- Поставка специализированных компонентов военного и аэрокосмического уровня качества (Xilinx, Altera, Analog Devices, Intersil, Interpoint, Microsemi, Actel, Aeroflex, Peregrine, VPT, Syfer, Eurofarad, Texas Instruments, MS Kennedy, Miteq, Cobham, E2V, MA-COM, Hittite, Mini-Circuits, General Dynamics и др.);

Компания «Океан Электроники» является официальным дистрибьютором и эксклюзивным представителем в России одного из крупнейших производителей разъемов военного и аэрокосмического назначения «JONHON», а так же официальным дистрибьютором и эксклюзивным представителем в России производителя высокотехнологичных и надежных решений для передачи СВЧ сигналов «FORSTAR».



JONHON

«JONHON» (основан в 1970 г.)

Разъемы специального, военного и аэрокосмического назначения:

(Применяются в военной, авиационной, аэрокосмической, морской, железнодорожной, горно- и нефтедобывающей отраслях промышленности)

«FORSTAR» (основан в 1998 г.)

ВЧ соединители, коаксиальные кабели, кабельные сборки и микроволновые компоненты:

(Применяются в телекоммуникациях гражданского и специального назначения, в средствах связи, РЛС, а так же военной, авиационной и аэрокосмической отраслях промышленности).



Телефон: 8 (812) 309-75-97 (многоканальный)

Факс: 8 (812) 320-03-32

Электронная почта: ocean@oceanchips.ru

Web: <http://oceanchips.ru/>

Адрес: 198099, г. Санкт-Петербург, ул. Калинина, д. 2, корп. 4, лит. А