

# 74LVC1GX04-Q100

X-tal driver

Rev. 2 — 13 December 2016

Product data sheet

## 1. General description

---

The 74LVC1GX04-Q100 combines the functions of the 74LVC1GU04-Q100 and 74LVC1G04-Q100 to provide a device optimized for use in crystal oscillator applications.

The integration of the two devices into the 74LVC1GX04-Q100 produces the benefits of a compact footprint. It provides lower power dissipation and stable operation over a wide frequency and temperature range.

Inputs can be driven from either 3.3 V or 5 V devices. This feature allows the use of this device in a mixed 3.3 V and 5 V environment.

This device is fully specified for partial power-down applications using I<sub>OFF</sub>. The I<sub>OFF</sub> circuitry disables the output, preventing the damaging backflow current through the device when it is powered down.

This product has been qualified to the Automotive Electronics Council (AEC) standard Q100 (Grade 1) and is suitable for use in automotive applications.

## 2. Features and benefits

---

- Automotive product qualification in accordance with AEC-Q100 (Grade 1)
  - ◆ Specified from -40 °C to +85 °C and from -40 °C to +125 °C
- Wide supply voltage range from 1.65 V to 5.5 V
- 5 V tolerant input and a 5 V overvoltage tolerant powered down output
- High noise immunity
- Complies with JEDEC standard:
  - ◆ JESD8-7 (1.65 V to 1.95 V)
  - ◆ JESD8-5 (2.3 V to 2.7 V)
  - ◆ JESD8B/JESD36 (2.7 V to 3.6 V)
- ±24 mA output drive (V<sub>CC</sub> = 3.0 V)
- CMOS low power consumption
- Latch-up performance exceeds 250 mA
- Direct interface with TTL levels
- Multiple package options
- ESD protection:
  - ◆ MIL-STD-883, method 3015 exceeds 2000 V
  - ◆ HBM JESD22-A114F exceeds 2000 V
  - ◆ MM JESD22-A115-A exceeds 200 V (C = 200 pF, R = 0 Ω)

### 3. Ordering information

Table 1. Ordering information

| Type number       | Package           |       |  | Version |
|-------------------|-------------------|-------|--|---------|
|                   | Temperature range | Name  | Description                                      |         |
| 74LVC1GX04GW-Q100 | -40 °C to +125 °C | SC-88 | plastic surface-mounted package; 6 leads         | SOT363  |
| 74LVC1GX04GV-Q100 | -40 °C to +125 °C | SC-74 | plastic surface-mounted package (TSOP6); 6 leads | SOT457  |

### 4. Marking

Table 2. Marking

| Type number       | Marking code <sup>[1]</sup> |
|-------------------|-----------------------------|
| 74LVC1GX04GW-Q100 | VX                          |
| 74LVC1GX04GV-Q100 | VX4                         |

[1] The pin 1 indicator is located on the lower left corner of the device, below the marking code.

### 5. Functional diagram

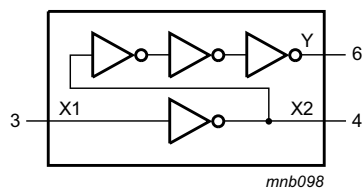
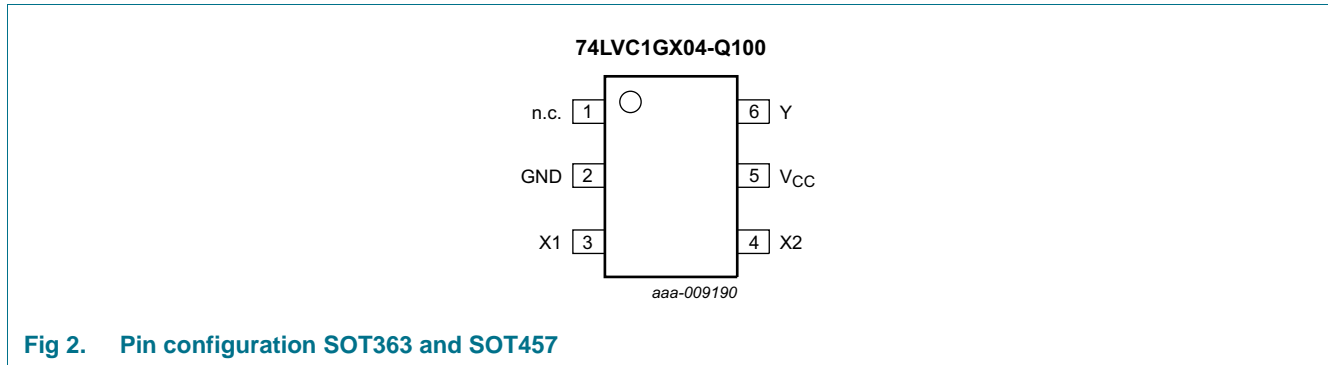


Fig 1. Logic symbol

## 6. Pinning information

### 6.1 Pinning



### 6.2 Pin description

Table 3. Pin description

| Symbol          | Pin | Description    |
|-----------------|-----|----------------|
| n.c.            | 1   | not connected  |
| GND             | 2   | ground (0 V)   |
| X1              | 3   | data input     |
| X2              | 4   | data output    |
| V <sub>CC</sub> | 5   | supply voltage |
| Y               | 6   | data output    |

## 7. Functional description

Table 4. Function table<sup>[1]</sup>

| Input | Output |   |
|-------|--------|---|
| X1    | X2     | Y |
| H     | L      | H |
| L     | H      | L |

[1] H = HIGH voltage level;  
L = LOW voltage level.

## 8. Limiting values

**Table 5. Limiting values**

In accordance with the Absolute Maximum Rating System (IEC 60134). Voltages are referenced to GND (ground = 0 V).

| Symbol    | Parameter               | Conditions                        | Min  | Max            | Unit |
|-----------|-------------------------|-----------------------------------|------|----------------|------|
| $V_{CC}$  | supply voltage          |                                   | -0.5 | +6.5           | V    |
| $I_{IK}$  | input clamping current  | $V_I < 0$ V                       | -50  | -              | mA   |
| $V_I$     | input voltage           | [1]                               | -0.5 | +6.5           | V    |
| $I_{OK}$  | output clamping current | $V_O > V_{CC}$ or $V_O < 0$ V     | -    | $\pm 50$       | mA   |
| $V_O$     | output voltage          | Active mode [1][2]                | -0.5 | $V_{CC} + 0.5$ | V    |
|           |                         | Power-down mode [1][2]            | -0.5 | +6.5           | V    |
| $I_O$     | output current          | $V_O = 0$ V to $V_{CC}$           | -    | $\pm 50$       | mA   |
| $I_{CC}$  | supply current          |                                   | -    | 100            | mA   |
| $I_{GND}$ | ground current          |                                   | -100 | -              | mA   |
| $T_{stg}$ | storage temperature     |                                   | -65  | +150           | °C   |
| $P_{tot}$ | total power dissipation | $T_{amb} = -40$ °C to +125 °C [3] | -    | 250            | mW   |

[1] The minimum input and output voltage ratings may be exceeded if the input and output current ratings are observed.

[2] When  $V_{CC} = 0$  V (Power-down mode), the output voltage can be 5.5 V in normal operation.

[3] Above 87.5 °C, the value of  $P_{tot}$  derates linearly with 4.0 mW/K.

## 9. Recommended operating conditions

**Table 6. Recommended operating conditions**

| Symbol              | Parameter                           | Conditions                      | Min  | Typ | Max      | Unit |
|---------------------|-------------------------------------|---------------------------------|------|-----|----------|------|
| $V_{CC}$            | supply voltage                      | [1]                             | 1.65 | -   | 5.5      | V    |
| $V_I$               | input voltage                       |                                 | 0    | -   | 5.5      | V    |
| $V_O$               | output voltage                      | Active mode [2]                 | 0    | -   | $V_{CC}$ | V    |
|                     |                                     | Power-down mode; $V_{CC} = 0$ V | 0    | -   | 5.5      | V    |
| $T_{amb}$           | ambient temperature                 |                                 | -40  | -   | +125     | °C   |
| $\Delta t/\Delta V$ | input transition rise and fall rate | $V_{CC} = 1.65$ V to 2.7 V      | -    | -   | 20       | ns/V |
|                     |                                     | $V_{CC} = 2.7$ V to 5.5 V       | -    | -   | 10       | ns/V |

[1] For use of a regular crystal oscillator, the recommended minimum  $V_{CC}$  should be 2.0 V.

[2] Only for output Y.

## 10. Static characteristics

**Table 7. Static characteristics**

At recommended operating conditions; voltages are referenced to GND (ground = 0 V).

| Symbol                                    | Parameter                 | Conditions  | Min                    | Typ <sup>[1]</sup> | Max                    | Unit |
|---|---------------------------|---|------------------------|--------------------|------------------------|------|
| <b>T<sub>amb</sub> = -40 °C to +85 °C</b> |                           |   |                        |                    |                        |      |
| V <sub>IH</sub>                           | HIGH-level input voltage  | V <sub>CC</sub> = 1.65 V to 5.5 V   | 0.75 × V <sub>CC</sub> | -                  | -                      | V    |
| V <sub>IL</sub>                           | LOW-level input voltage   | V <sub>CC</sub> = 1.65 V to 5.5 V   | -                      | -                  | 0.25 × V <sub>CC</sub> | V    |
| V <sub>OL</sub>                           | LOW-level output voltage  | V <sub>I</sub> = V <sub>IH</sub> or V <sub>IL</sub>                                     |                        |                    |                        |      |
|   |                           | I <sub>O</sub> = 100 μA; V <sub>CC</sub> = 1.65 V to 5.5 V                              | -                      | -                  | 0.1                    | V    |
|   |                           | I <sub>O</sub> = 4 mA; V <sub>CC</sub> = 1.65 V   | -                      | -                  | 0.45                   | V    |
|   |                           | I <sub>O</sub> = 8 mA; V <sub>CC</sub> = 2.3 V  | -                      | -                  | 0.3                    | V    |
|   |                           | I <sub>O</sub> = 12 mA; V <sub>CC</sub> = 2.7 V   | -                      | -                  | 0.4                    | V    |
|   |                           | I <sub>O</sub> = 24 mA; V <sub>CC</sub> = 3.0 V   | -                      | -                  | 0.55                   | V    |
| V <sub>OH</sub>                           | HIGH-level output voltage | V <sub>I</sub> = V <sub>IH</sub> or V <sub>IL</sub>                                     |                        |                    |                        |      |
|   |                           | I <sub>O</sub> = -100 μA; V <sub>CC</sub> = 1.65 V to 5.5 V                             | V <sub>CC</sub> - 0.1  | -                  | -                      | V    |
|   |                           | I <sub>O</sub> = -4 mA; V <sub>CC</sub> = 1.65 V  | 1.2                    | -                  | -                      | V    |
|   |                           | I <sub>O</sub> = -8 mA; V <sub>CC</sub> = 2.3 V   | 1.9                    | -                  | -                      | V    |
|   |                           | I <sub>O</sub> = -12 mA; V <sub>CC</sub> = 2.7 V  | 2.2                    | -                  | -                      | V    |
|   |                           | I <sub>O</sub> = -24 mA; V <sub>CC</sub> = 3.0 V  | 2.3                    | -                  | -                      | V    |
| I <sub>I</sub>                            | input leakage current     | V <sub>CC</sub> = 0 V to 5.5 V; V <sub>I</sub> = 5.5 V or GND                           | -                      | ±0.1               | ±1                     | μA   |
|   |                           | V <sub>I</sub> or V <sub>O</sub> = 5.5 V; V <sub>CC</sub> = 0 V <sup>[2]</sup>          | -                      | ±0.1               | ±2                     | μA   |
| I <sub>CC</sub>                           | supply current            | V <sub>CC</sub> = 1.65 V to 5.5 V; I <sub>O</sub> = 0 A; V <sub>I</sub> = 5.5 V or GND; | -                      | 0.1                | 4                      | μA   |
| C <sub>I</sub>                            | input capacitance         |   | -                      | 5.0                | -                      | pF   |

**Table 7. Static characteristics ...continued**

At recommended operating conditions; voltages are referenced to GND (ground = 0 V).

| Symbol                                     | Parameter                 | Conditions  | Min                   | Typ <sup>[1]</sup> | Max                   | Unit |
|--|---------------------------|---|-----------------------|--------------------|-----------------------|------|
| <b>T<sub>amb</sub> = -40 °C to +125 °C</b> |                           |   |                       |                    |                       |      |
| V <sub>IH</sub>                            | HIGH-level input voltage  | V <sub>CC</sub> = 1.65 V to 5.5 V   | 0.8 × V <sub>CC</sub> | -                  | -                     | V    |
| V <sub>IL</sub>                            | LOW-level input voltage   | V <sub>CC</sub> = 1.65 V to 5.5 V   | -                     | -                  | 0.2 × V <sub>CC</sub> | V    |
| V <sub>OL</sub>                            | LOW-level output voltage  | V <sub>I</sub> = V <sub>IH</sub> or V <sub>IL</sub>                                     |                       |                    |                       |      |
|  |                           | I <sub>O</sub> = 100 μA; V <sub>CC</sub> = 1.65 V to 5.5 V                              | -                     | -                  | 0.1                   | V    |
|  |                           | I <sub>O</sub> = 4 mA; V <sub>CC</sub> = 1.65 V   | -                     | -                  | 0.7                   | V    |
|  |                           | I <sub>O</sub> = 8 mA; V <sub>CC</sub> = 2.3 V  | -                     | -                  | 0.45                  | V    |
|  |                           | I <sub>O</sub> = 12 mA; V <sub>CC</sub> = 2.7 V   | -                     | -                  | 0.6                   | V    |
|  |                           | I <sub>O</sub> = 24 mA; V <sub>CC</sub> = 3.0 V   | -                     | -                  | 0.8                   | V    |
|  |                           | I <sub>O</sub> = 32 mA; V <sub>CC</sub> = 4.5 V   | -                     | -                  | 0.8                   | V    |
| V <sub>OH</sub>                            | HIGH-level output voltage | V <sub>I</sub> = V <sub>IH</sub> or V <sub>IL</sub>                                     |                       |                    |                       |      |
|  |                           | I <sub>O</sub> = -100 μA; V <sub>CC</sub> = 1.65 V to 5.5 V                             | V <sub>CC</sub> - 0.1 | -                  | -                     | V    |
|  |                           | I <sub>O</sub> = -4 mA; V <sub>CC</sub> = 1.65 V  | 0.95                  | -                  | -                     | V    |
|  |                           | I <sub>O</sub> = -8 mA; V <sub>CC</sub> = 2.3 V   | 1.7                   | -                  | -                     | V    |
|  |                           | I <sub>O</sub> = -12 mA; V <sub>CC</sub> = 2.7 V  | 1.9                   | -                  | -                     | V    |
|  |                           | I <sub>O</sub> = -24 mA; V <sub>CC</sub> = 3.0 V  | 2.0                   | -                  | -                     | V    |
|  |                           | I <sub>O</sub> = -32 mA; V <sub>CC</sub> = 4.5 V  | 3.4                   | -                  | -                     | V    |
| I <sub>I</sub>                             | input leakage current     | V <sub>CC</sub> = 0 V to 5.5 V; V <sub>I</sub> = 5.5 V or GND;                          | -                     | -                  | ±1                    | μA   |
| I <sub>OFF</sub>                           | power-off leakage current | V <sub>I</sub> or V <sub>O</sub> = 5.5 V; V <sub>CC</sub> = 0 V <sup>[2]</sup>          | -                     | -                  | ±2                    | μA   |
| I <sub>CC</sub>                            | supply current            | V <sub>CC</sub> = 1.65 V to 5.5 V; I <sub>O</sub> = 0 A; V <sub>I</sub> = 5.5 V or GND; | -                     | -                  | 4                     | μA   |

[1] Typical values are measured at maximum V<sub>CC</sub> and T<sub>amb</sub> = 25 °C.[2] V<sub>O</sub> only for output Y.

## 11. Dynamic characteristics

**Table 8. Dynamic characteristics**

Voltages are referenced to GND (ground = 0 V); for test circuit, see [Figure 5](#).

| Symbol                           | Parameter                     | Conditions   | -40 °C to +85 °C |                    |      | -40 °C to +125 °C |      | Unit |
|----------------------------------|-------------------------------|--|------------------|--------------------|------|-------------------|------|------|
|                                  |                               |  | Min              | Typ <sup>[1]</sup> | Max  | Min               | Max  |      |
| t <sub>pd</sub>                  | propagation delay             | X1 to X2; see <a href="#">Figure 3</a> <sup>[2]</sup>  |                  |                    |      |                   |      |      |
|                                  |                               | V <sub>CC</sub> = 1.65 V to 1.95 V   | 0.5              | 2.1                | 5.0  | 0.5               | 6.5  | ns   |
|                                  |                               | V <sub>CC</sub> = 2.3 V to 2.7 V   | 0.3              | 1.7                | 4.0  | 0.3               | 5.0  | ns   |
|                                  |                               | V <sub>CC</sub> = 2.7 V  | 0.3              | 2.5                | 4.5  | 0.3               | 5.6  | ns   |
|                                  |                               | V <sub>CC</sub> = 3.0 V to 3.6 V   | 0.3              | 2.1                | 3.7  | 0.3               | 4.5  | ns   |
|                                  |                               | V <sub>CC</sub> = 4.5 V to 5.5 V   | 0.3              | 1.6                | 3.0  | 0.3               | 3.8  | ns   |
|                                  |                               | X1 to Y; see <a href="#">Figure 3</a>  |                  |                    |      |                   |      |      |
|                                  |                               | V <sub>CC</sub> = 1.65 V to 1.95 V   | 1.0              | 4.4                | 10.0 | 1.0               | 12.5 | ns   |
|                                  |                               | V <sub>CC</sub> = 2.3 V to 2.7 V   | 0.5              | 2.9                | 6.0  | 0.5               | 7.5  | ns   |
|                                  |                               | V <sub>CC</sub> = 2.7 V  | 0.5              | 3.0                | 6.0  | 0.5               | 7.5  | ns   |
|                                  |                               | V <sub>CC</sub> = 3.0 V to 3.6 V   | 0.5              | 2.8                | 5.5  | 0.5               | 6.9  | ns   |
| V <sub>CC</sub> = 4.5 V to 5.5 V | 0.5                           | 2.3  | 4.5              | 0.5                | 5.6  | ns                |      |      |
| C <sub>PD</sub>                  | power dissipation capacitance | V <sub>CC</sub> = 3.3 V; V <sub>I</sub> = GND to V <sub>CC</sub> ; output enabled <sup>[3]</sup> | -                | 35                 | -    | -                 | -    | pF   |

[1] Typical values are measured at nominal V<sub>CC</sub> and at T<sub>amb</sub> = 25 °C.

[2] t<sub>pd</sub> is the same as t<sub>PLH</sub> and t<sub>PHL</sub>

[3] C<sub>PD</sub> is used to determine the dynamic power dissipation (P<sub>D</sub> in μW).

$$P_D = C_{PD} \times V_{CC}^2 \times f_i \times N + \Sigma(C_L \times V_{CC}^2 \times f_o) \text{ where:}$$

f<sub>i</sub> = input frequency in MHz;

f<sub>o</sub> = output frequency in MHz;

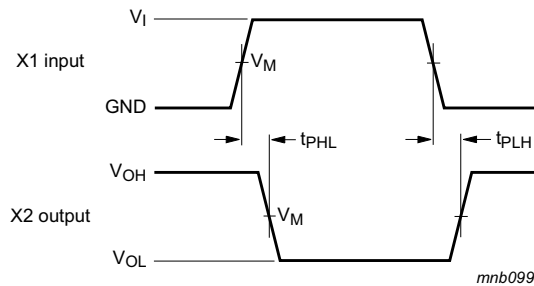
C<sub>L</sub> = output load capacitance in pF;

V<sub>CC</sub> = supply voltage in V;

N = number of inputs switching;

Σ(C<sub>L</sub> × V<sub>CC</sub><sup>2</sup> × f<sub>o</sub>) = sum of outputs.

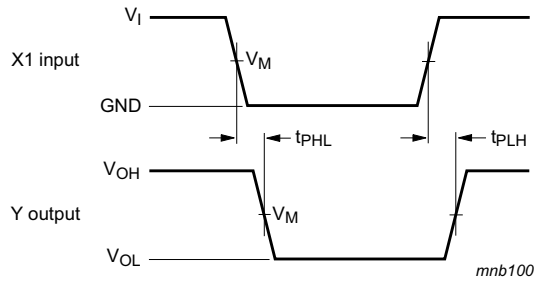
## 12. Waveforms



Measurement points are given in [Table 9](#).

V<sub>OL</sub> and V<sub>OH</sub> are typical output voltage levels that occur with the output load.

**Fig 3. Input X1 to output X2 propagation delay times**

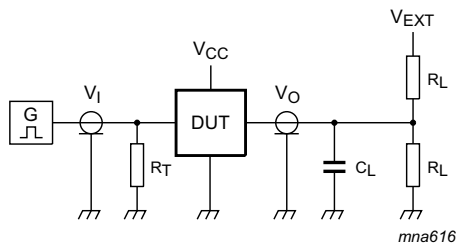


Measurement points are given in [Table 9](#).  
 $V_{OL}$  and  $V_{OH}$  are typical output voltage levels that occur with the output load.

**Fig 4. Input X1 to output Y propagation delay times**

**Table 9. Measurement points**

| Supply voltage   | Input               | Output              |
|------------------|---------------------|---------------------|
| $V_{CC}$         | $V_M$               | $V_M$               |
| 1.65 V to 1.95 V | $0.5 \times V_{CC}$ | $0.5 \times V_{CC}$ |
| 2.3 V to 2.7 V   | $0.5 \times V_{CC}$ | $0.5 \times V_{CC}$ |
| 2.7 V            | 1.5 V               | 1.5 V               |
| 3.0 V to 3.6 V   | 1.5 V               | 1.5 V               |
| 4.5 V to 5.5 V   | $0.5 \times V_{CC}$ | $0.5 \times V_{CC}$ |



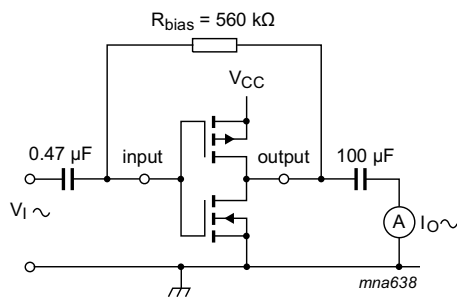
Test data is given in [Table 10](#).  
 Definitions test circuit:  
 $R_L$  = Load resistance.  
 $C_L$  = Load capacitance including jig and probe capacitance.  
 $R_T$  = Termination resistance should be equal to output impedance  $Z_o$  of the pulse generator.  
 $V_{EXT}$  = External voltage for measuring switching times.

**Fig 5. Test circuit for measuring switching times**



Table 10. Test data

| Supply voltage   | Input           |                                 | Load           |                | V <sub>EXT</sub>                    |
|------------------|-----------------|---------------------------------|----------------|----------------|-------------------------------------|
| V <sub>CC</sub>  | V <sub>I</sub>  | t <sub>r</sub> = t <sub>f</sub> | C <sub>L</sub> | R <sub>L</sub> | t <sub>PLH</sub> , t <sub>PHL</sub> |
| 1.65 V to 1.95 V | V <sub>CC</sub> | ≤ 2.0 ns                        | 30 pF          | 1 kΩ           | open                                |
| 2.3 V to 2.7 V   | V <sub>CC</sub> | ≤ 2.0 ns                        | 30 pF          | 500 Ω          | open                                |
| 2.7 V            | 2.7 V           | ≤ 2.5 ns                        | 50 pF          | 500 Ω          | open                                |
| 3.0 V to 3.6 V   | 2.7 V           | ≤ 2.5 ns                        | 50 pF          | 500 Ω          | open                                |
| 4.5 V to 5.5 V   | V <sub>CC</sub> | ≤ 2.5 ns                        | 50 pF          | 500 Ω          | open                                |

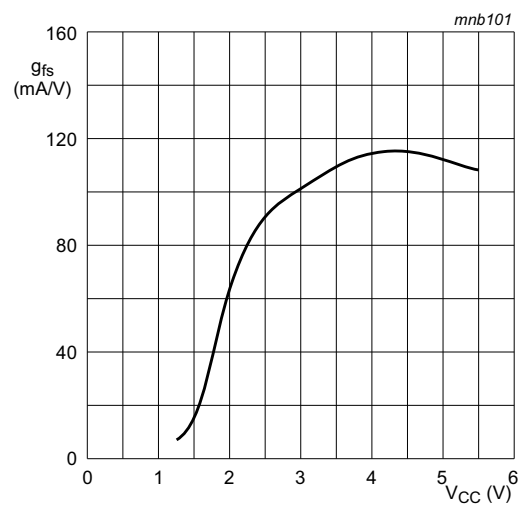


$$g_{fs} = \frac{\Delta I_O}{\Delta V_I}$$

f<sub>i</sub> = 1 kHz.

V<sub>O</sub> is constant.

Fig 6. Test set-up for measuring forward transconductance



T<sub>amb</sub> = 25 °C

Fig 7. Typical forward transconductance as a function of supply voltage

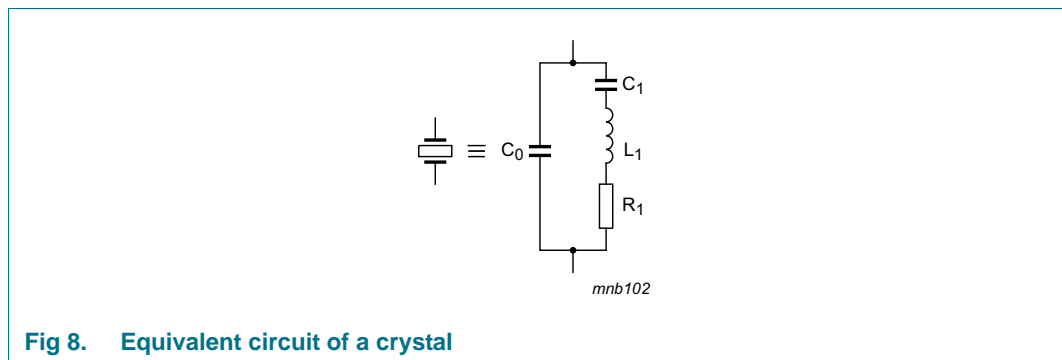
## 13. Application information

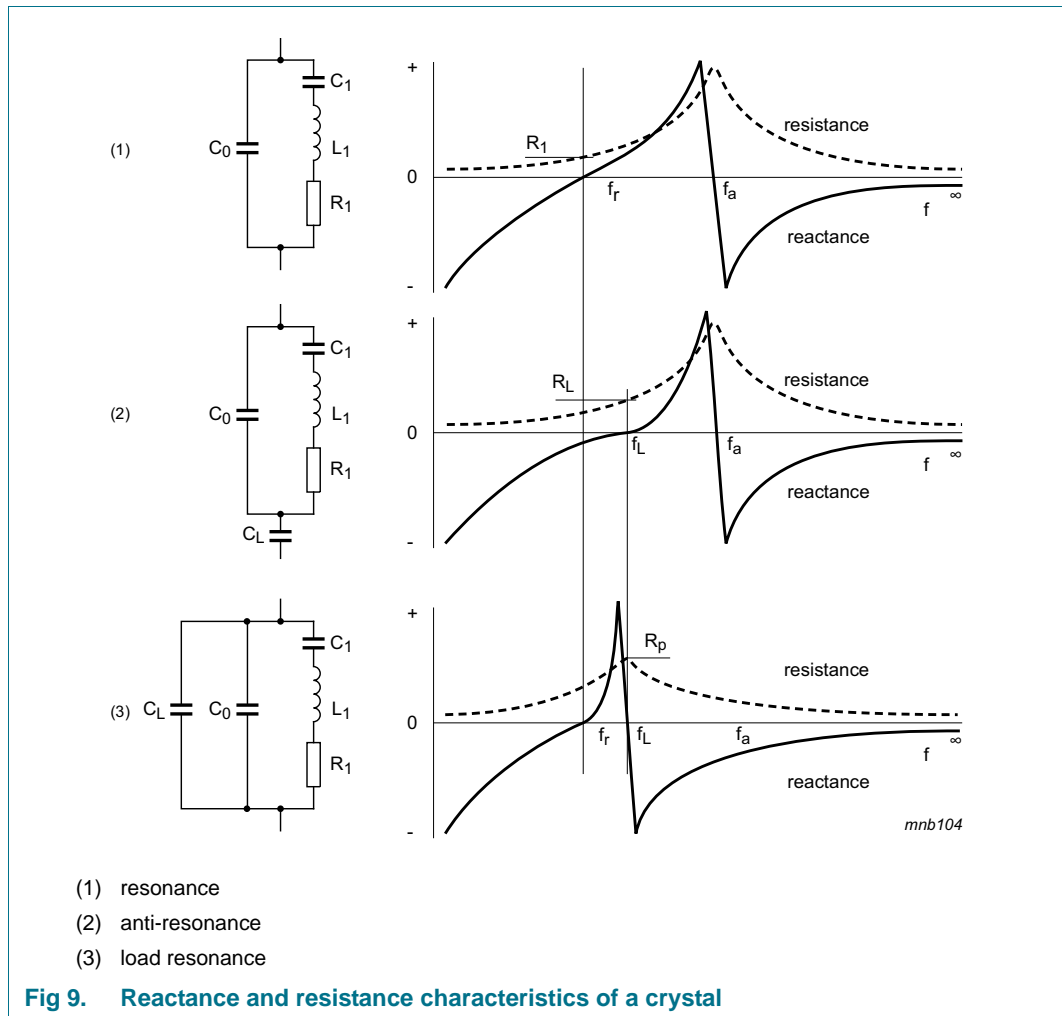
Crystal controlled oscillator circuits are widely used in clock pulse generators because of their excellent frequency stability and wide operating frequency range. The 74LVC1GX04-Q100 provides the additional advantages of low power dissipation, stable operation over a wide range of frequency and temperature, and a very small footprint. This application information describes crystal characteristics, design and testing of crystal oscillator circuits based on the 74LVC1GX04-Q100.

### 13.1 Crystal characteristics

[Figure 8](#) is the equivalent circuit of a quartz crystal.

The reactive and resistive component of the impedance of the crystal alone and the crystal with a series and a parallel capacitance is shown in [Figure 9](#)





### 13.1.1 Design

[Figure 10](#) shows the recommended way to connect a crystal to the 74LVC1GX04-Q100. This circuit is basically a Pierce oscillator circuit in which the crystal is operating at its fundamental frequency. The parallel load capacitance of  $C_1$  and  $C_2$  tune the circuit.  $C_1$  and  $C_2$  are in series with the crystal and they should be equal (approximately).  $R_1$  is the drive-limiting resistor. It is set to approximately the same value as the reactance of  $C_1$  at the crystal frequency ( $R_1 = X_{C1}$ ). This setting results in an input to the crystal of 50 % of the rail-to-rail output of X2. It keeps the drive level into the crystal within drive specifications and the designer should verify it. Overdriving the crystal can cause damage.

The feedback resistor ( $R_f = 1 \text{ M}\Omega$ ) provides negative feedback. It sets a bias point of the inverter near mid-supply, operating the 74LVC1GU04-Q100 portion in the high gain linear region.

To calculate the values of  $C_1$  and  $C_2$ , the designer can use the formula:

$$C_L = \frac{C_1 \times C_2}{C_1 + C_2} + C_s$$

$C_L$  is the load capacitance as specified by the crystal manufacturer.  $C_s$  is the stray capacitance of the circuit (for the 74LVC1GX04-Q100 it is equal to an input capacitance of 5 pF).

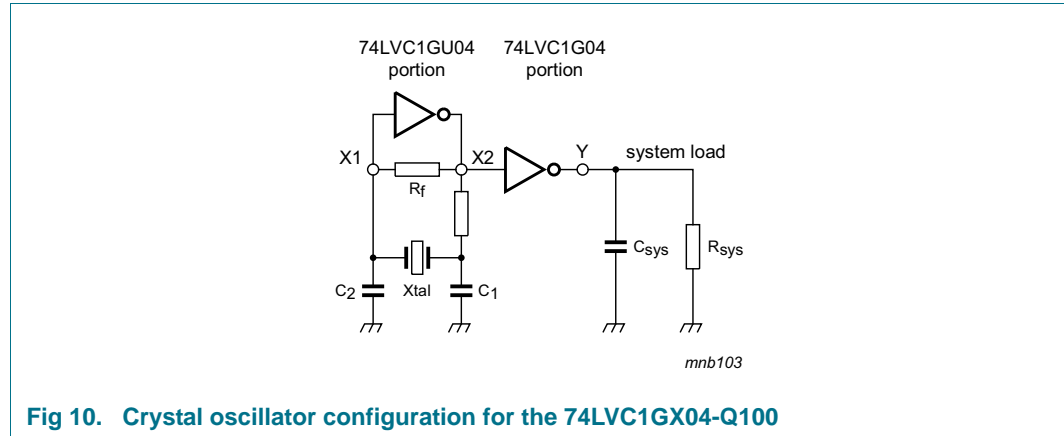


Fig 10. Crystal oscillator configuration for the 74LVC1GX04-Q100

### 13.1.2 Testing

After the calculations are performed for a particular crystal, the oscillator circuit should be tested. The following simple checks verify the prototype design of a crystal controlled oscillator circuit. Perform the checks after laying out the board:

- Test the oscillator over worst-case conditions (lowest supply voltage, worst-case crystal and highest operating temperature). Adding series and parallel resistors can simulate a worst-case crystal.
- Insure that the circuit does not oscillate without the crystal.
- Check the frequency stability over a supply range greater that is likely to occur during normal operation.
- Check that the start-up time is within system requirements.

As the 74LVC1GX04-Q100 isolates the system loading, once the design is optimized, the single layout may work in multiple applications for any given crystal.

14. Package outline

Plastic surface-mounted package; 6 leads

SOT363

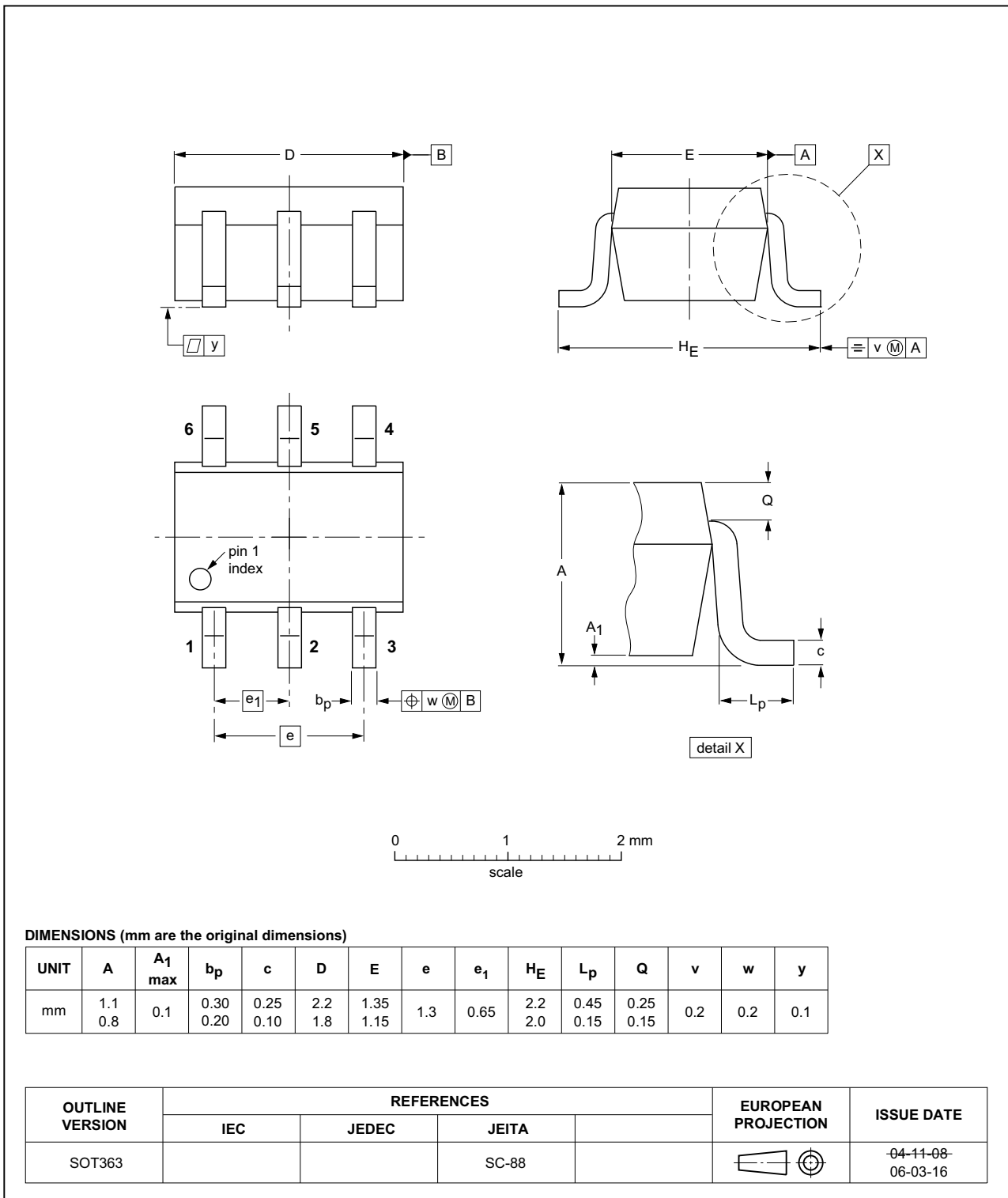


Fig 11. Package outline SOT363 (SC-88)

Plastic surface-mounted package (TSOP6); 6 leads

SOT457

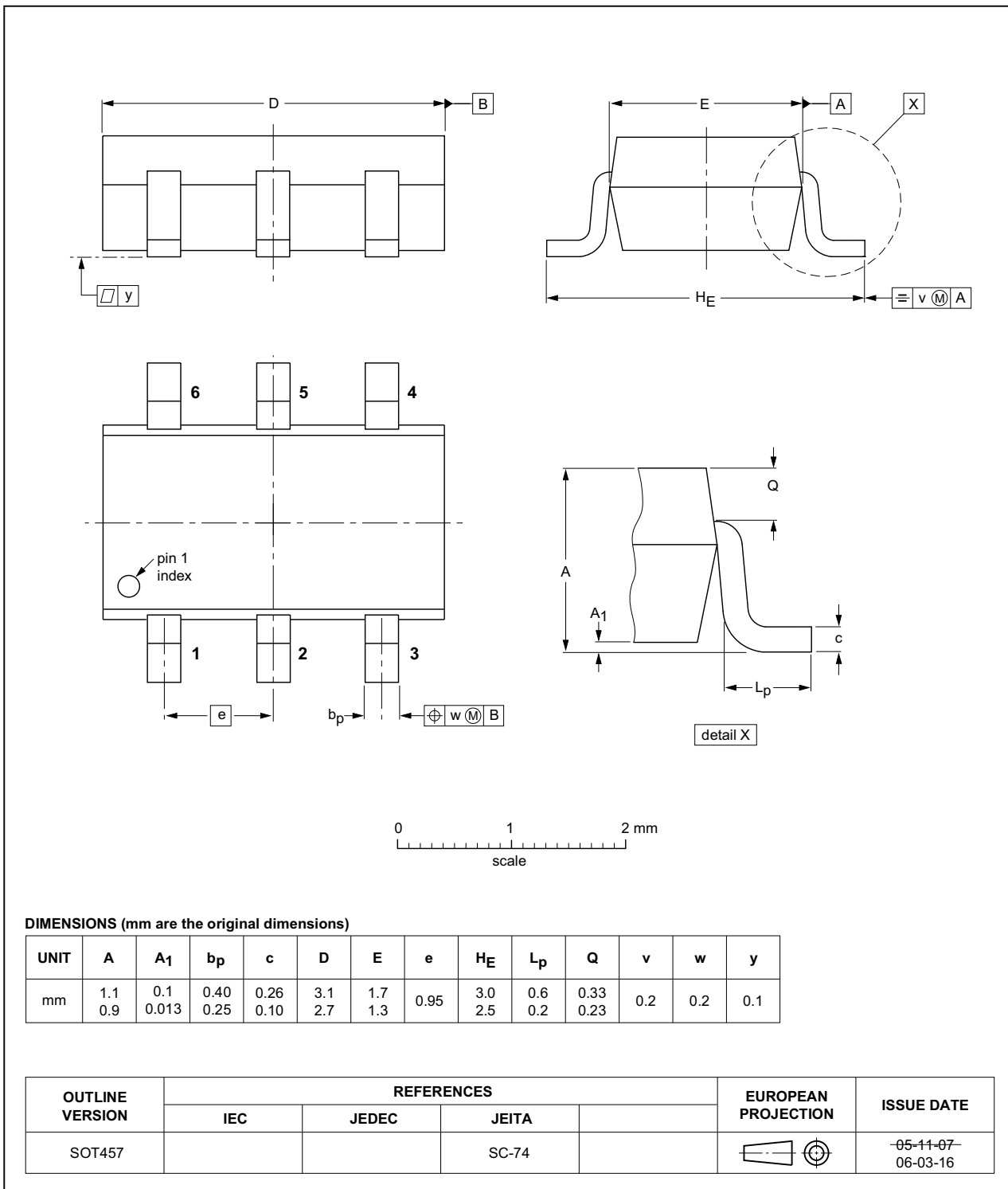


Fig 12. Package outline SOT457 (SC-74)

## 15. Abbreviations

Table 11. Abbreviations

| Acronym | Description                             |
|---------|---|
| CMOS    | Complementary Metal Oxide Semiconductor |
| DUT     | Device Under Test                       |
| ESD     | ElectroStatic Discharge                 |
| HBM     | Human Body Model                        |
| MIL     | Military                                |
| MM      | Machine Model                           |
| TTL     | Transistor-Transistor Logic             |

## 16. Revision history

Table 12. Revision history

| Document ID         | Release date  | Data sheet status  | Change notice | Supersedes          |
|---------------------|---|--------------------|---------------|---------------------|
| 74LVC1GX04_Q100 v.2 | 20161213  | Product data sheet | -             | 74LVC1GX04_Q100 v.1 |
| Modifications:      | • <a href="#">Table 7</a> : The maximum limits for leakage current and supply current have changed. |                    |               |                     |
| 74LVC1GX04_Q100 v.1 | 20130925  | Product data sheet | -             | -                   |

## 17. Legal information

### 17.1 Data sheet status

| Document status <sup>[1][2]</sup> | Product status <sup>[3]</sup> | Definition  |
|-----------------------------------|-------------------------------|---|
| Objective [short] data sheet      | Development                   | This document contains data from the objective specification for product development. |
| Preliminary [short] data sheet    | Qualification                 | This document contains data from the preliminary specification.                       |
| Product [short] data sheet        | Production                    | This document contains the product specification.                                     |

[1] Please consult the most recently issued document before initiating or completing a design.

[2] The term 'short data sheet' is explained in section "Definitions".

[3] The product status of device(s) described in this document may have changed since this document was published and may differ in case of multiple devices. The latest product status information is available on the Internet at URL <http://www.nexperia.com>.

### 17.2 Definitions

**Draft** — The document is a draft version only. The content is still under internal review and subject to formal approval, which may result in modifications or additions. Nexperia does not give any representations or warranties as to the accuracy or completeness of information included herein and shall have no liability for the consequences of use of such information.

**Short data sheet** — A short data sheet is an extract from a full data sheet with the same product type number(s) and title. A short data sheet is intended for quick reference only and should not be relied upon to contain detailed and full information. For detailed and full information see the relevant full data sheet, which is available on request via the local Nexperia sales office. In case of any inconsistency or conflict with the short data sheet, the full data sheet shall prevail.

**Product specification** — The information and data provided in a Product data sheet shall define the specification of the product as agreed between Nexperia and its customer, unless Nexperia and customer have explicitly agreed otherwise in writing. In no event however, shall an agreement be valid in which the Nexperia product is deemed to offer functions and qualities beyond those described in the Product data sheet.

### 17.3 Disclaimers

**Limited warranty and liability** — Information in this document is believed to be accurate and reliable. However, Nexperia does not give any representations or warranties, expressed or implied, as to the accuracy or completeness of such information and shall have no liability for the consequences of use of such information. Nexperia takes no responsibility for the content in this document if provided by an information source outside of Nexperia.

In no event shall Nexperia be liable for any indirect, incidental, punitive, special or consequential damages (including - without limitation - lost profits, lost savings, business interruption, costs related to the removal or replacement of any products or rework charges) whether or not such damages are based on tort (including negligence), warranty, breach of contract or any other legal theory.

Notwithstanding any damages that customer might incur for any reason whatsoever, Nexperia's aggregate and cumulative liability towards customer for the products described herein shall be limited in accordance with the *Terms and conditions of commercial sale* of Nexperia.

**Right to make changes** — Nexperia reserves the right to make changes to information published in this document, including without limitation specifications and product descriptions, at any time and without notice. This document supersedes and replaces all information supplied prior to the publication hereof.

#### Suitability for use in automotive applications — This Nexperia

product has been qualified for use in automotive applications. Unless otherwise agreed in writing, the product is not designed, authorized or warranted to be suitable for use in life support, life-critical or safety-critical systems or equipment, nor in applications where failure or malfunction of a Nexperia product can reasonably be expected to result in personal injury, death or severe property or environmental damage. Nexperia and its suppliers accept no liability for inclusion and/or use of Nexperia products in such equipment or applications and therefore such inclusion and/or use is at the customer's own risk.

**Applications** — Applications that are described herein for any of these products are for illustrative purposes only. Nexperia makes no representation or warranty that such applications will be suitable for the specified use without further testing or modification.

Customers are responsible for the design and operation of their applications and products using Nexperia products, and Nexperia accepts no liability for any assistance with applications or customer product design. It is customer's sole responsibility to determine whether the Nexperia product is suitable and fit for the customer's applications and products planned, as well as for the planned application and use of customer's third party customer(s). Customers should provide appropriate design and operating safeguards to minimize the risks associated with their applications and products.

Nexperia does not accept any liability related to any default, damage, costs or problem which is based on any weakness or default in the customer's applications or products, or the application or use by customer's third party customer(s). Customer is responsible for doing all necessary testing for the customer's applications and products using Nexperia products in order to avoid a default of the applications and the products or of the application or use by customer's third party customer(s). Nexperia does not accept any liability in this respect.

**Limiting values** — Stress above one or more limiting values (as defined in the Absolute Maximum Ratings System of IEC 60134) will cause permanent damage to the device. Limiting values are stress ratings only and (proper) operation of the device at these or any other conditions above those given in the Recommended operating conditions section (if present) or the Characteristics sections of this document is not warranted. Constant or repeated exposure to limiting values will permanently and irreversibly affect the quality and reliability of the device.

**Terms and conditions of commercial sale** — Nexperia products are sold subject to the general terms and conditions of commercial sale, as published at <http://www.nexperia.com/profile/terms>, unless otherwise agreed in a valid written individual agreement. In case an individual agreement is concluded only the terms and conditions of the respective agreement shall apply. Nexperia hereby expressly objects to applying the customer's general terms and conditions with regard to the purchase of Nexperia products by customer.



**No offer to sell or license** — Nothing in this document may be interpreted or construed as an offer to sell products that is open for acceptance or the grant, conveyance or implication of any license under any copyrights, patents or other industrial or intellectual property rights.

**Export control** — This document as well as the item(s) described herein may be subject to export control regulations. Export might require a prior authorization from competent authorities.

**Translations** — A non-English (translated) version of a document is for reference only. The English version shall prevail in case of any discrepancy between the translated and English versions.

## 17.4 Trademarks

Notice: All referenced brands, product names, service names and trademarks are the property of their respective owners.

## 18. Contact information

---

For more information, please visit: <http://www.nexperia.com>

For sales office addresses, please send an email to: [salesaddresses@nexperia.com](mailto:salesaddresses@nexperia.com)

## 19. Contents

---

|           |   |           |
|-----------|---|-----------|
| <b>1</b>  | <b>General description</b> .....              | <b>1</b>  |
| <b>2</b>  | <b>Features and benefits</b> .....            | <b>1</b>  |
| <b>3</b>  | <b>Ordering information</b> .....             | <b>2</b>  |
| <b>4</b>  | <b>Marking</b> .....                          | <b>2</b>  |
| <b>5</b>  | <b>Functional diagram</b> .....               | <b>2</b>  |
| <b>6</b>  | <b>Pinning information</b> .....              | <b>3</b>  |
| 6.1       | Pinning .....                                 | 3         |
| 6.2       | Pin description .....                         | 3         |
| <b>7</b>  | <b>Functional description</b> .....           | <b>3</b>  |
| <b>8</b>  | <b>Limiting values</b> .....                  | <b>4</b>  |
| <b>9</b>  | <b>Recommended operating conditions</b> ..... | <b>4</b>  |
| <b>10</b> | <b>Static characteristics</b> .....           | <b>5</b>  |
| <b>11</b> | <b>Dynamic characteristics</b> .....          | <b>7</b>  |
| <b>12</b> | <b>Waveforms</b> .....                        | <b>7</b>  |
| <b>13</b> | <b>Application information</b> .....          | <b>10</b> |
| 13.1      | Crystal characteristics .....                 | 10        |
| 13.1.1    | Design .....                                  | 11        |
| 13.1.2    | Testing .....                                 | 12        |
| <b>14</b> | <b>Package outline</b> .....                  | <b>13</b> |
| <b>15</b> | <b>Abbreviations</b> .....                    | <b>15</b> |
| <b>16</b> | <b>Revision history</b> .....                 | <b>15</b> |
| <b>17</b> | <b>Legal information</b> .....                | <b>16</b> |
| 17.1      | Data sheet status .....                       | 16        |
| 17.2      | Definitions .....                             | 16        |
| 17.3      | Disclaimers .....                             | 16        |
| 17.4      | Trademarks .....                              | 17        |
| <b>18</b> | <b>Contact information</b> .....              | <b>17</b> |
| <b>19</b> | <b>Contents</b> .....                         | <b>18</b> |

Компания «Океан Электроники» предлагает заключение долгосрочных отношений при поставках импортных электронных компонентов на взаимовыгодных условиях!

Наши преимущества:

- Поставка оригинальных импортных электронных компонентов напрямую с производств Америки, Европы и Азии, а так же с крупнейших складов мира;
- Широкая линейка поставок активных и пассивных импортных электронных компонентов (более 30 млн. наименований);
- Поставка сложных, дефицитных, либо снятых с производства позиций;
- Оперативные сроки поставки под заказ (от 5 рабочих дней);
- Экспресс доставка в любую точку России;
- Помощь Конструкторского Отдела и консультации квалифицированных инженеров;
- Техническая поддержка проекта, помощь в подборе аналогов, поставка прототипов;
- Поставка электронных компонентов под контролем ВП;
- Система менеджмента качества сертифицирована по Международному стандарту ISO 9001;
- При необходимости вся продукция военного и аэрокосмического назначения проходит испытания и сертификацию в лаборатории (по согласованию с заказчиком);
- Поставка специализированных компонентов военного и аэрокосмического уровня качества (Xilinx, Altera, Analog Devices, Intersil, Interpoint, Microsemi, Actel, Aeroflex, Peregrine, VPT, Syfer, Eurofarad, Texas Instruments, MS Kennedy, Miteq, Cobham, E2V, MA-COM, Hittite, Mini-Circuits, General Dynamics и др.);

Компания «Океан Электроники» является официальным дистрибьютором и эксклюзивным представителем в России одного из крупнейших производителей разъемов военного и аэрокосмического назначения «JONHON», а так же официальным дистрибьютором и эксклюзивным представителем в России производителя высокотехнологичных и надежных решений для передачи СВЧ сигналов «FORSTAR».



## JONHON

«JONHON» (основан в 1970 г.)

Разъемы специального, военного и аэрокосмического назначения:

(Применяются в военной, авиационной, аэрокосмической, морской, железнодорожной, горно- и нефтедобывающей отраслях промышленности)

«FORSTAR» (основан в 1998 г.)

ВЧ соединители, коаксиальные кабели, кабельные сборки и микроволновые компоненты:

(Применяются в телекоммуникациях гражданского и специального назначения, в средствах связи, РЛС, а так же военной, авиационной и аэрокосмической отраслях промышленности).



Телефон: 8 (812) 309-75-97 (многоканальный)

Факс: 8 (812) 320-03-32

Электронная почта: [ocean@oceanchips.ru](mailto:ocean@oceanchips.ru)

Web: <http://oceanchips.ru/>

Адрес: 198099, г. Санкт-Петербург, ул. Калинина, д. 2, корп. 4, лит. А