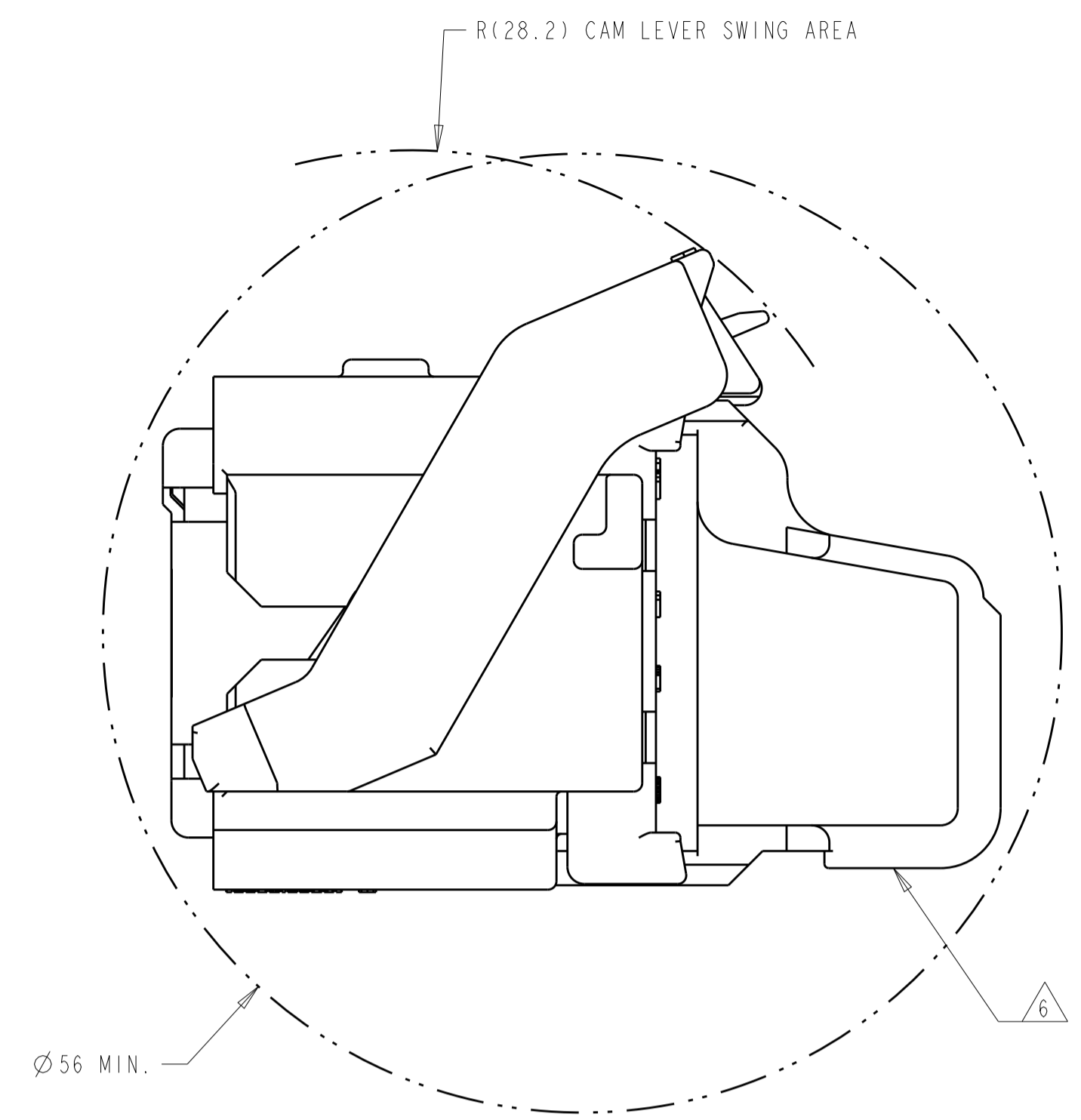
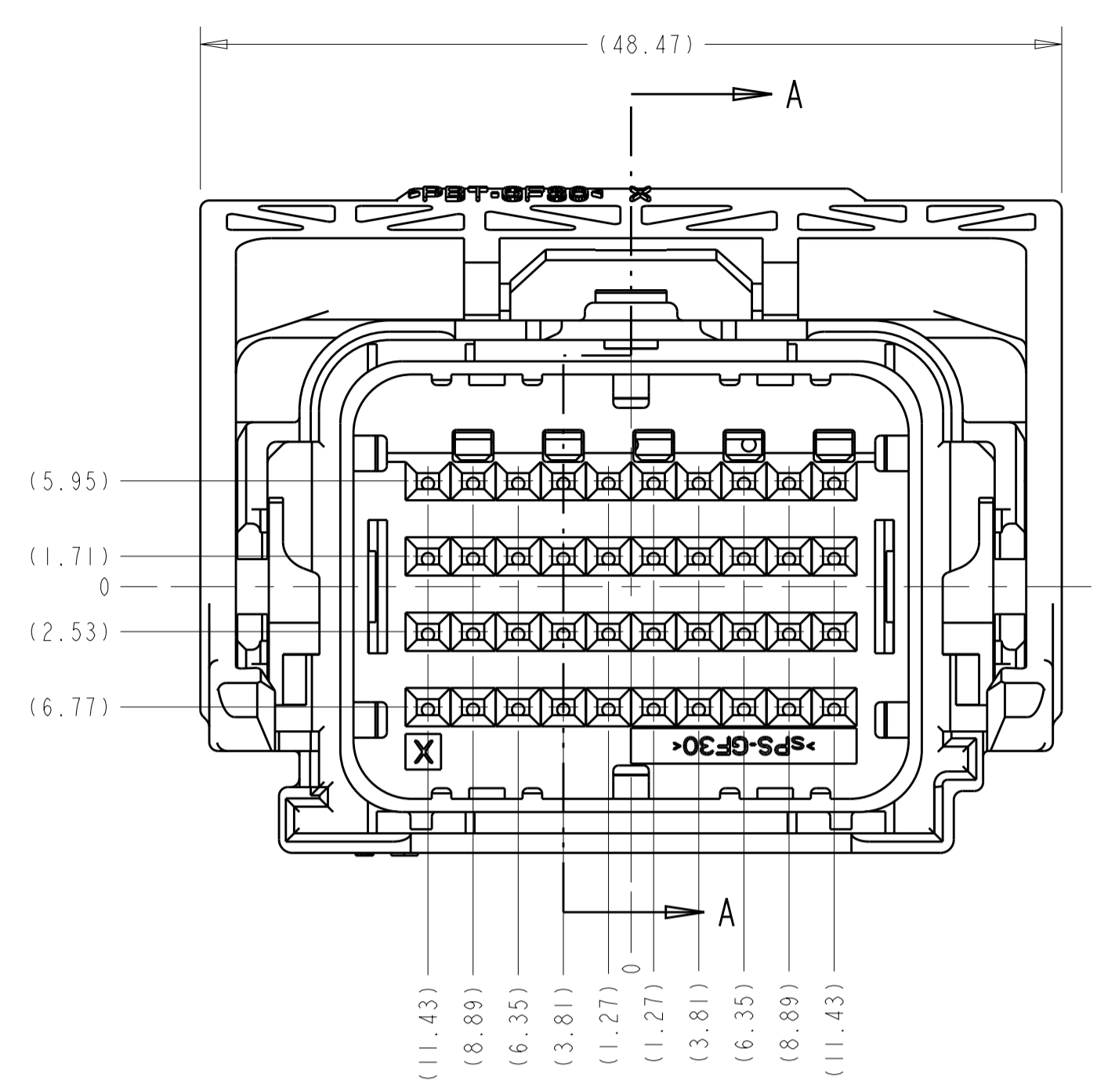
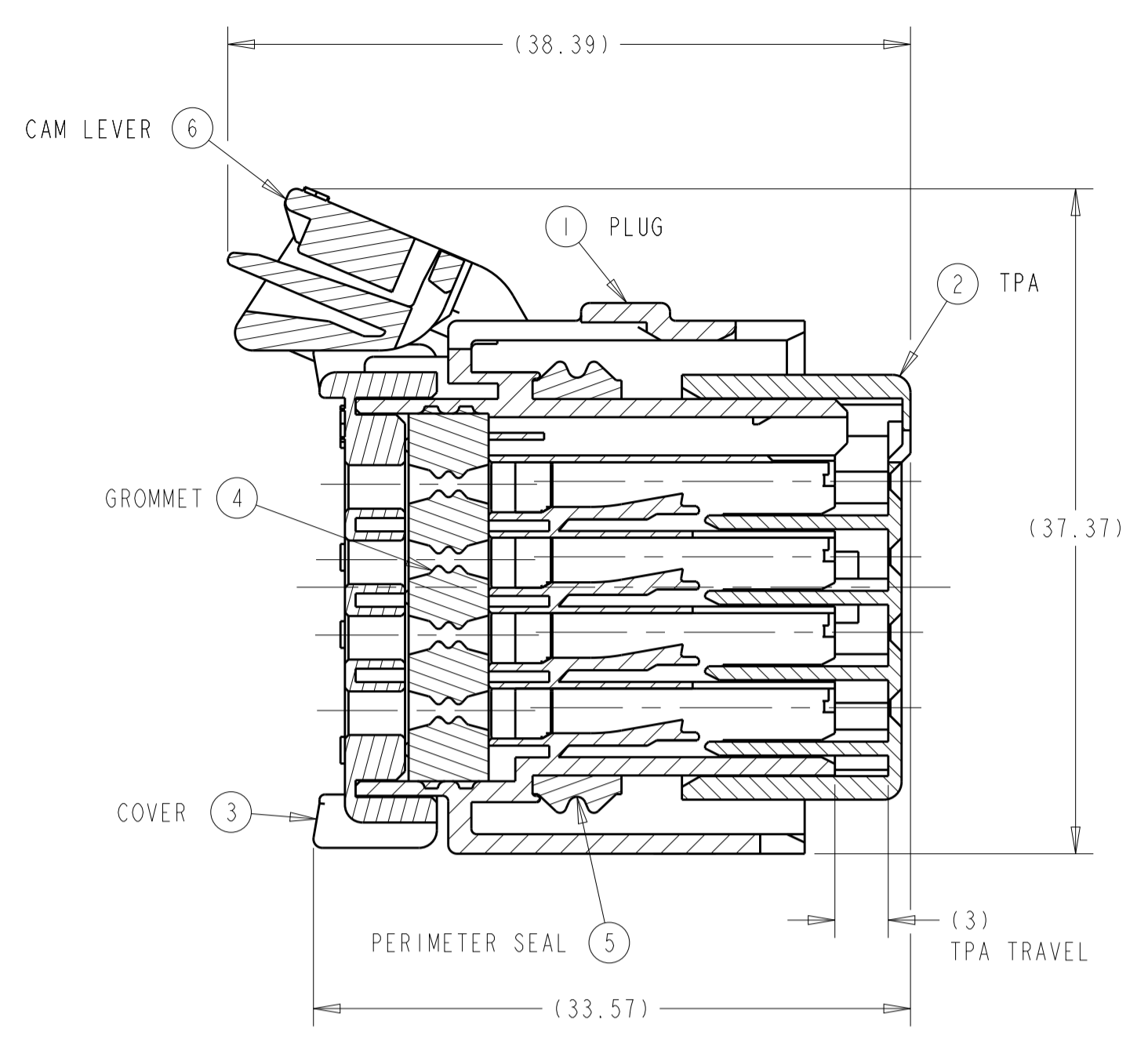
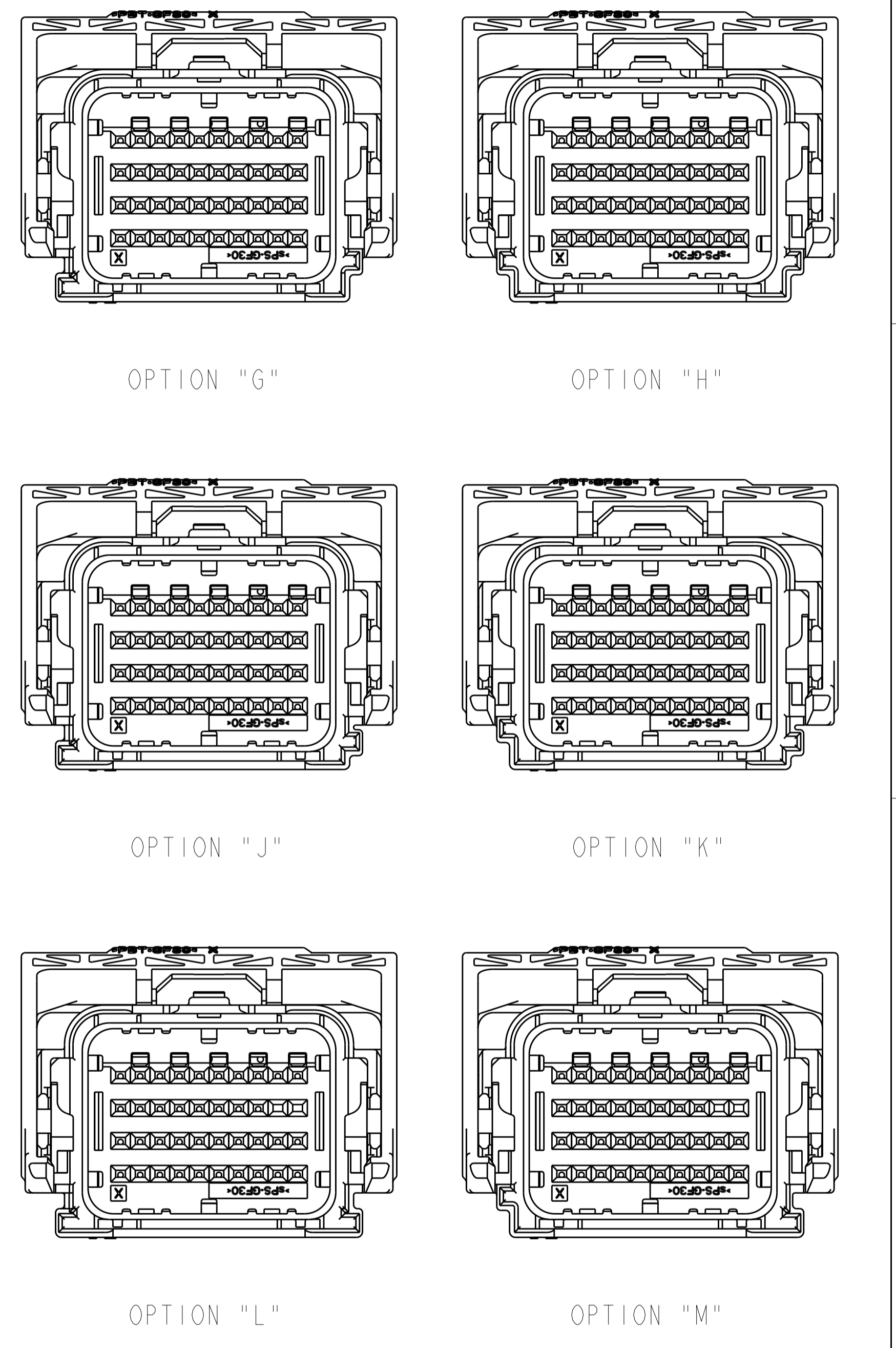


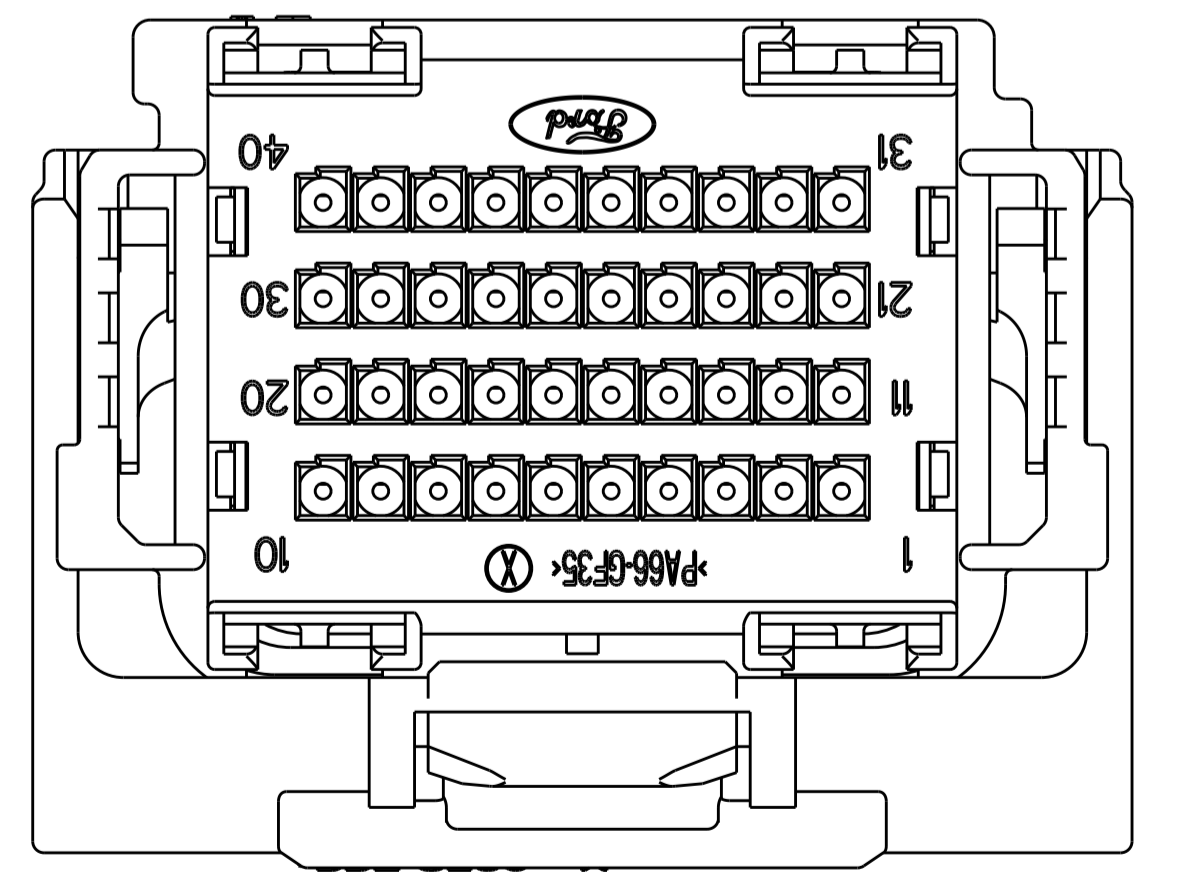
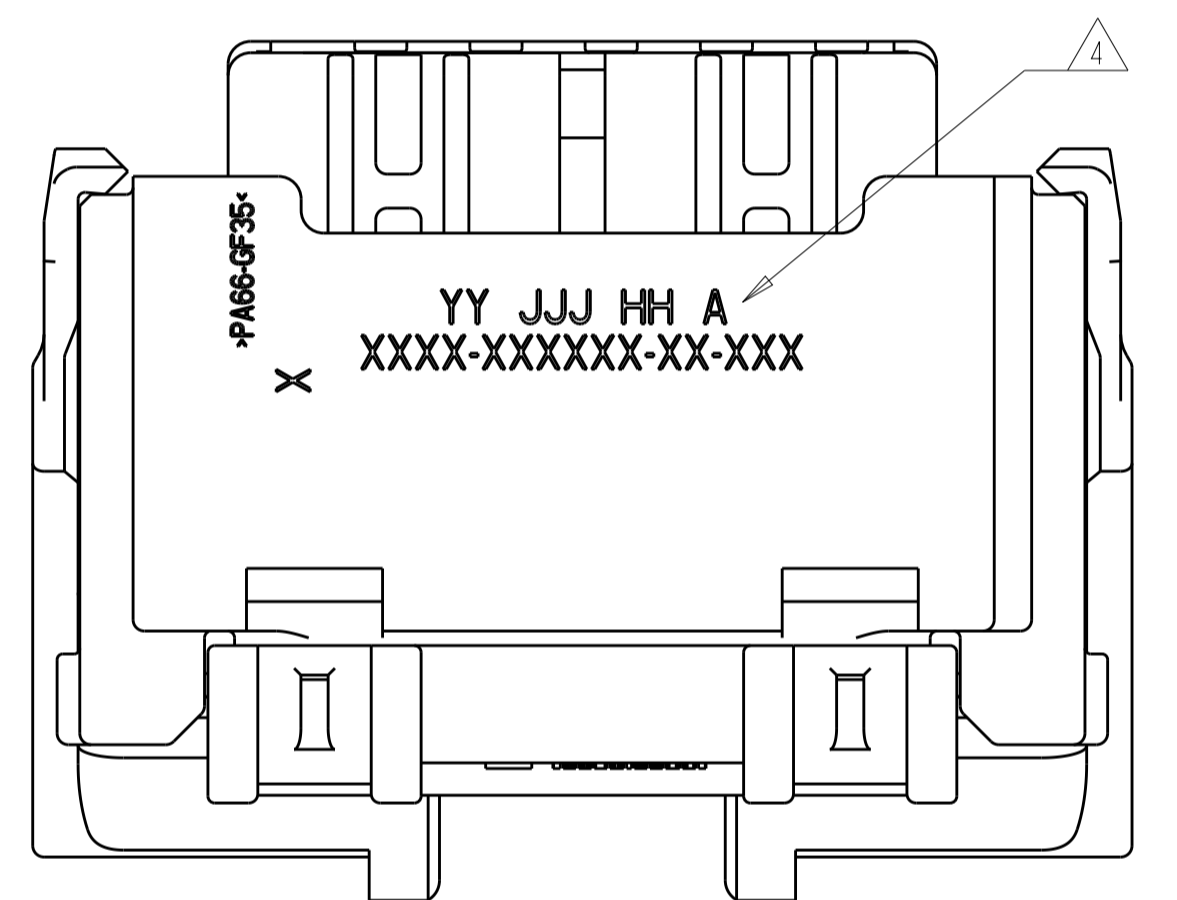
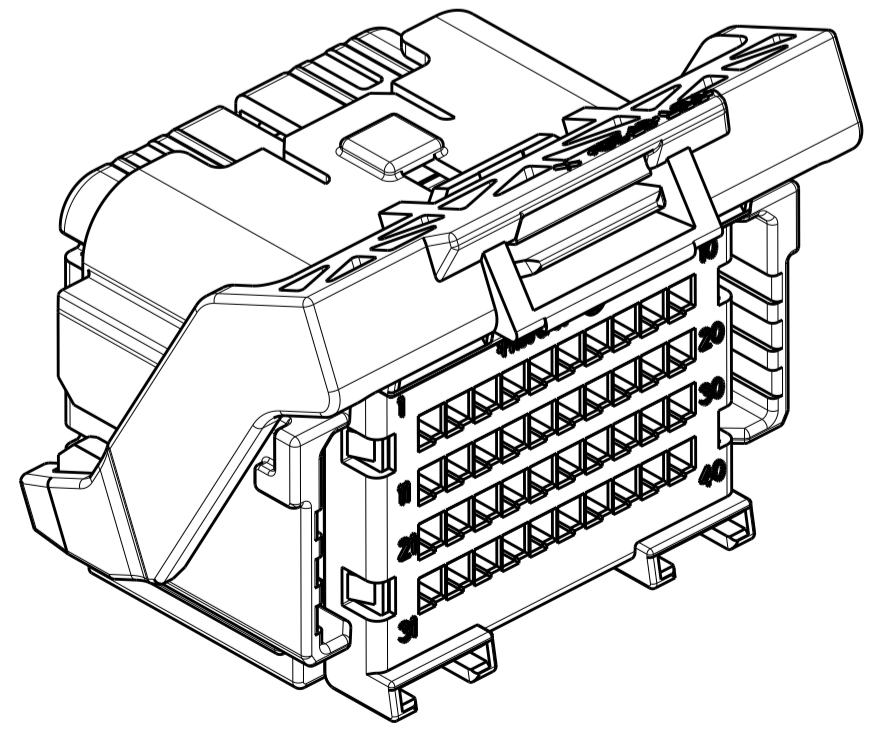
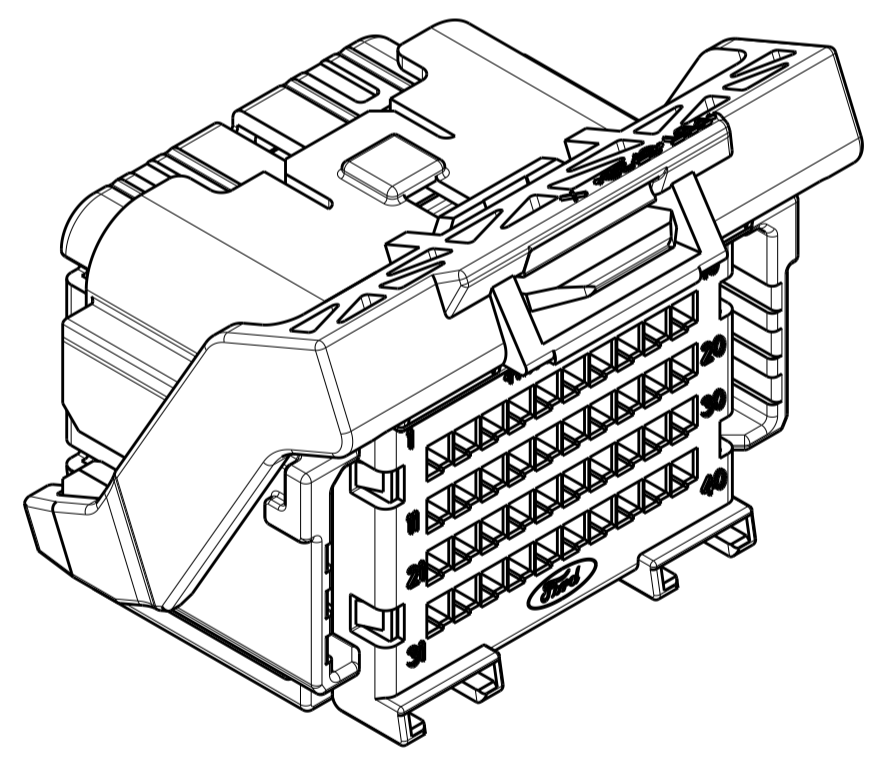
| REVISIONS | | | | |
|-----------|-----|---------------------------|-----------|----------|
| P. | LTN | DESCRIPTION | DATE | OWN APVD |
| CE | | REVISED PER ECO-15-012629 | 01SEP2015 | DLD WTW |



KEYING OPTIONS
SCALE 2:1



MINIMUM FEED THROUGH CONDITION
WITH 1mm CLEARANCE ALL AROUND
SHOWN WITH OPTION WIRESHIELD
TPA IS IN IT'S LOADED POSITION
CAM LEVER IS IN IT'S PRE-LOADED POSITION



- APPLICABLE TERMINAL PART NUMBERS (SOLD SEPARATELY):
FOR TIN APPLICATIONS: 1393367 AND 1393366.
FOR GOLD APPLICATIONS: 1393365 AND 1393364.
FOR TERMINATION AND REELING OPTIONS
SEE DRAWINGS 1393367, 1393366, 1393365, AND 1393364.
- COMPATIBLE WIRE SIZES FOR MAT SEAL DESIGN 1.19 TO 2.06 O.D.
(22-18 AWG, 0.35-0.75 mm²)
- TPA AND CAM LEVER ARE SHIPPED IN THEIR PRE-LOADED POSITION.
ALL ASSEMBLIES ARE TO BE TRAY PACKAGED.
- CUSTOMER PART NUMBER AND TRACEABILITY CODE (YY = TWO DIGIT YEAR,
JJJ = JULIAN DAY, HH = TWO DIGIT MILITARY HOUR, A = ASSEMBLY PROCESS
USED) ARE PRINTED IN THIS LOCATION.
- PART ASSEMBLY WEIGHT WITHOUT TERMINALS AND WITH STANDARD PIN-OUT
CONFIGURATION IS 24.71 GRAMS.
- OPTIONAL WIRESHIELD P/N 8-1419157-8 (SOLD SEPARATELY). PLEASE CONTACT
YOUR TE SALES REPRESENTATIVE FOR AVAILABILITY AND PRICING.

| | | | |
|--|-------------|----------------------------|--|
| THIS DRAWING IS A CONTROLLED DOCUMENT. | | OWN: M. FORLSKA 19APR2002 | TE Connectivity NAME: 40 WAY ARM, PLUG ASSEMBLY WITHOUT SHORTING BARS, CUSTOMER SPEC. |
| DIMENSIONS: | | CHK: M. FORLSKA 19APR2002 | |
| mm | 0 PLC ± | APVD: A. VALASEK 19APR2002 | PRODUCT SPEC |
| | 1 PLC ±0.3 | | APPLICATION SPEC |
| | 2 PLC ±0.10 | | SIZE: CAGE CODE DRAWING NO. RESTRICTED TO |
| | 3 PLC ± | | SCALE: 3:1 SHEET 1 OF 5 REV: CE |
| | 4 PLC ± | | |
| | ANGLES ± | | |
| MATERIAL: SEE CHART ON SHEET 2 | FINISH: - | WEIGHT: SEE NOTE 5 | SIZE: 00779 C=8-1419157-7 |
| | | CUSTOMER DRAWING | |

THIS DRAWING IS UNPUBLISHED. RELEASED FOR PUBLICATION
 COPYRIGHT 20 BY - ALL RIGHTS RESERVED.

| REVISIONS | | | | |
|-----------|-----|-------------|------|----------|
| P. | LTN | DESCRIPTION | DATE | OWN APVD |
| - | - | SEE SHEET 1 | - | - |

| ASSEMBLY PART NUMBERS | | | | | | | | | | ITEM | DESCRIPTION | MATERIAL | FINISH/COLOR |
|-----------------------|--|--|--|--|--|--|--|--|--|------|--|-------------|--------------|
| | | | | | | | | | | 6 | CAM LEVER | PBT 30% GF | GRAY |
| | | | | | | | | | | 6 | CAM LEVER WITH MODIFIED TAB | PA66 35% GF | GRAY |
| | | | | | | | | | | 6 | CAM LEVER WITH MODIFIED TAB | PBT 30% GF | GRAY |
| | | | | | | | | | | 5 | PERIMETER SEAL | SILICONE | GREEN |
| | | | | | | | | | | 4 | GROMMET | SILICONE | BROWN |
| | | | | | | | | | | 3 | COVER | PA66 35% GF | BLACK |
| | | | | | | | | | | 2 | TPA FOR NON-SHORTING BAR APPLICATIONS | sPS 30% GF | NATURAL |
| | | | | | | | | | | 2 | TPA FOR NON-SHORTING BAR APPLICATIONS | sPS 30% GF | RED |
| | | | | | | | | | | 1 | PLUG WITH KEYING OPTION "K" AND 5 SHORTING BAR POSITIONS CONFIGURATION | PA66 35% GF | BLACK |
| | | | | | | | | | | 1 | PLUG WITH KEYING OPTION "L" AND 5 SHORTING BAR POSITIONS CONFIGURATION | PA66 35% GF | BLACK |
| | | | | | | | | | | 1 | PLUG WITH KEYING OPTION "J" AND 5 SHORTING BAR POSITIONS CONFIGURATION | PA66 35% GF | BLACK |
| | | | | | | | | | | 1 | PLUG WITH KEYING OPTION "H" AND 5 SHORTING BAR POSITIONS CONFIGURATION | PA66 35% GF | BLACK |
| | | | | | | | | | | 1 | PLUG WITH KEYING OPTION "G" AND 5 SHORTING BAR POSITIONS CONFIGURATION | PA66 35% GF | BLACK |

| ASSEMBLY PART NUMBERS | | | | | | | | | | ITEM | DESCRIPTION | MATERIAL | FINISH/COLOR |
|-----------------------|--|--|--|--|--|--|--|--|--|------|--|-------------|--------------|
| | | | | | | | | | | 6 | CAM LEVER | PBT 30% GF | GRAY |
| | | | | | | | | | | 6 | CAM LEVER WITH MODIFIED TAB | PA66 35% GF | GRAY |
| | | | | | | | | | | 6 | CAM LEVER WITH MODIFIED TAB | PBT 30% GF | GRAY |
| | | | | | | | | | | 5 | PERIMETER SEAL | SILICONE | GREEN |
| | | | | | | | | | | 4 | GROMMET | SILICONE | BROWN |
| | | | | | | | | | | 3 | COVER | PA66 35% GF | BLACK |
| | | | | | | | | | | 2 | TPA FOR NON-SHORTING BAR APPLICATIONS | sPS 30% GF | NATURAL |
| | | | | | | | | | | 2 | TPA FOR NON-SHORTING BAR APPLICATIONS | sPS 30% GF | RED |
| | | | | | | | | | | 1 | PLUG WITH KEYING OPTION "K" AND 5 SHORTING BAR POSITIONS CONFIGURATION | PA66 35% GF | BLACK |
| | | | | | | | | | | 1 | PLUG WITH KEYING OPTION "L" AND 5 SHORTING BAR POSITIONS CONFIGURATION | PA66 35% GF | BLACK |
| | | | | | | | | | | 1 | PLUG WITH KEYING OPTION "J" AND 5 SHORTING BAR POSITIONS CONFIGURATION | PA66 35% GF | BLACK |
| | | | | | | | | | | 1 | PLUG WITH KEYING OPTION "H" AND 5 SHORTING BAR POSITIONS CONFIGURATION | PA66 35% GF | BLACK |
| | | | | | | | | | | 1 | PLUG WITH KEYING OPTION "G" AND 5 SHORTING BAR POSITIONS CONFIGURATION | PA66 35% GF | BLACK |

| ASSEMBLY PART NUMBERS | | | | | | | | | | ITEM | DESCRIPTION | MATERIAL | FINISH/COLOR |
|-----------------------|--|--|--|--|--|--|--|--|--|------|--|-------------|--------------|
| | | | | | | | | | | 6 | CAM LEVER | PBT 30% GF | GRAY |
| | | | | | | | | | | 6 | CAM LEVER WITH MODIFIED TAB | PA66 35% GF | GRAY |
| | | | | | | | | | | 6 | CAM LEVER WITH MODIFIED TAB | PBT 30% GF | GRAY |
| | | | | | | | | | | 5 | PERIMETER SEAL | SILICONE | GREEN |
| | | | | | | | | | | 4 | GROMMET | SILICONE | BROWN |
| | | | | | | | | | | 3 | COVER | PA66 35% GF | BLACK |
| | | | | | | | | | | 2 | TPA FOR NON-SHORTING BAR APPLICATIONS | sPS 30% GF | NATURAL |
| | | | | | | | | | | 2 | TPA FOR NON-SHORTING BAR APPLICATIONS | sPS 30% GF | RED |
| | | | | | | | | | | 1 | PLUG WITH KEYING OPTION "K" AND 5 SHORTING BAR POSITIONS CONFIGURATION | PA66 35% GF | BLACK |
| | | | | | | | | | | 1 | PLUG WITH KEYING OPTION "L" AND 5 SHORTING BAR POSITIONS CONFIGURATION | PA66 35% GF | BLACK |
| | | | | | | | | | | 1 | PLUG WITH KEYING OPTION "J" AND 5 SHORTING BAR POSITIONS CONFIGURATION | PA66 35% GF | BLACK |
| | | | | | | | | | | 1 | PLUG WITH KEYING OPTION "H" AND 5 SHORTING BAR POSITIONS CONFIGURATION | PA66 35% GF | BLACK |
| | | | | | | | | | | 1 | PLUG WITH KEYING OPTION "G" AND 5 SHORTING BAR POSITIONS CONFIGURATION | PA66 35% GF | BLACK |

| | | | | | | | |
|---|--|--|--|--|--|--|--|
| THIS DRAWING IS A CONTROLLED DOCUMENT. DIMENSIONS: mm  | | TOLERANCES UNLESS OTHERWISE SPECIFIED: 0 PLC ±0.3 1 PLC ±0.10 2 PLC ±0.10 3 PLC ±0.10 4 PLC ±0.10 ANGLES ±0.5° | | DWN M. FORLSKA 19APR2002 CHK M. FORLSKA 19APR2002 APVD A. VALASEK 19APR2002 PRODUCT SPEC APPLICATION SPEC WEIGHT SEE NOTE 5 CUSTOMER DRAWING | | NAME 40 WAY ARM, PLUG ASSEMBLY WITHOUT SHORTING BARS, CUSTOMER SPEC. SIZE CAGE CODE DRAWING NO A1 00779 C=8-1419157-7 RESTRICTED TO SCALE 3:1 SHEET 2 OF 5 REV CE | |
|---|--|--|--|--|--|--|--|

THIS DRAWING IS UNPUBLISHED. RELEASED FOR PUBLICATION 20
 © COPYRIGHT 20 BY - ALL RIGHTS RESERVED.

| REVISIONS | | | | |
|-----------|-----|-------------|------|------|
| P. | LTN | DESCRIPTION | DATE | APVD |
| - | | SEE SHEET 1 | - | - |
| | | | | |
| | | | | |

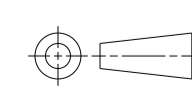

PIN-OUT CHART

| TERMINAL HOLE POSITION | ASSEMBLY PART NUMBER | PLUG KEYING OPTION |
|------------------------|----------------------|--------------------|
| 26 27 28 | 5-1924513-1 | KEY "J" |
| 26 27 | 5-1924513-0 | KEY "J" |
| 28 | 4-1924513-9 | KEY "J" |
| 33 34 | 2138987-2 | KEY "G" |
| 33 34 | 2138987-1 | KEY "G" |
| 33 | 2138987-1 | KEY "G" |
| 35 36 37 38 39 | 2138987-1 | KEY "G" |

3 4 5 6 13 14 15 16 21 22 23 24 33 35 36 37 38 39

1 2 3 4 5 6 7 8 9 10 11 12 13 14 15 16 17 18 19 20 21 22 23 24 25 26 27 28 29 30 31 32 33 34 35 36 37 38 39 40

CAVITIES WITH A NUMERIC SYMBOL INDICATE CLOSED TERMINAL HOLE POSITIONS
 BLANK CAVITIES INDICATE OPEN TERMINAL HOLE POSITIONS

| | | | | | |
|---|--|--|---|--|--|
| THIS DRAWING IS A CONTROLLED DOCUMENT. | | DWN M. FORLSKA 19APR2002 CHK M. FORLSKA 19APR2002 APVD A. VALASEK 19APR2002 |  TE Connectivity | | |
| DIMENSIONS: mm  | | TOLERANCES UNLESS OTHERWISE SPECIFIED: 0 PLC ± 1 PLC ±0.3 2 PLC ±0.10 3 PLC ± 4 PLC ± ANGLES ±3° FINISH - | | NAME: 40 WAY ARM, PLUG ASSEMBLY WITHOUT SHORTING BARS, CUSTOMER SPEC. PRODUCT SPEC APPLICATION SPEC | |
| MATERIAL: SEE CHART ON SHEET 2 | | WEIGHT: - CUSTOMER DRAWING | | SIZE: A1 CAGE CODE: 00779 DRAWING NO: C=8-1419157-7 RESTRICTED TO: - SCALE: 3:1 SHEET 5 OF 5 REV: CE | |

Компания «Океан Электроники» предлагает заключение долгосрочных отношений при поставках импортных электронных компонентов на взаимовыгодных условиях!

Наши преимущества:

- Поставка оригинальных импортных электронных компонентов напрямую с производств Америки, Европы и Азии, а так же с крупнейших складов мира;
- Широкая линейка поставок активных и пассивных импортных электронных компонентов (более 30 млн. наименований);
- Поставка сложных, дефицитных, либо снятых с производства позиций;
- Оперативные сроки поставки под заказ (от 5 рабочих дней);
- Экспресс доставка в любую точку России;
- Помощь Конструкторского Отдела и консультации квалифицированных инженеров;
- Техническая поддержка проекта, помощь в подборе аналогов, поставка прототипов;
- Поставка электронных компонентов под контролем ВП;
- Система менеджмента качества сертифицирована по Международному стандарту ISO 9001;
- При необходимости вся продукция военного и аэрокосмического назначения проходит испытания и сертификацию в лаборатории (по согласованию с заказчиком);
- Поставка специализированных компонентов военного и аэрокосмического уровня качества (Xilinx, Altera, Analog Devices, Intersil, Interpoint, Microsemi, Actel, Aeroflex, Peregrine, VPT, Syfer, Eurofarad, Texas Instruments, MS Kennedy, Miteq, Cobham, E2V, MA-COM, Hittite, Mini-Circuits, General Dynamics и др.);

Компания «Океан Электроники» является официальным дистрибьютором и эксклюзивным представителем в России одного из крупнейших производителей разъемов военного и аэрокосмического назначения «JONHON», а так же официальным дистрибьютором и эксклюзивным представителем в России производителя высокотехнологичных и надежных решений для передачи СВЧ сигналов «FORSTAR».



JONHON

«JONHON» (основан в 1970 г.)

Разъемы специального, военного и аэрокосмического назначения:

(Применяются в военной, авиационной, аэрокосмической, морской, железнодорожной, горно- и нефтедобывающей отраслях промышленности)

«FORSTAR» (основан в 1998 г.)

ВЧ соединители, коаксиальные кабели,
кабельные сборки и микроволновые компоненты:

(Применяются в телекоммуникациях гражданского и специального назначения, в средствах связи, РЛС, а так же военной, авиационной и аэрокосмической отраслях промышленности).



Телефон: 8 (812) 309-75-97 (многоканальный)

Факс: 8 (812) 320-03-32

Электронная почта: ocean@oceanchips.ru

Web: <http://oceanchips.ru/>

Адрес: 198099, г. Санкт-Петербург, ул. Калинина, д. 2, корп. 4, лит. А