

FEATURES

6.5 Ω (maximum) on resistance
0.8 Ω (maximum) on-resistance flatness
2.7 V to 5.5 V single supply
 ± 2.7 V to ± 5.5 V dual supply
Rail-to-rail operation
8-lead SOT-23, 8-lead MSOP
Typical power consumption (<0.1 μ W)
TTL-/CMOS-compatible inputs

APPLICATIONS

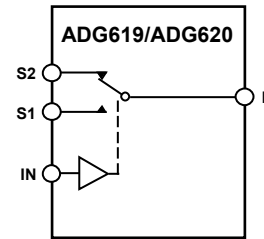
Automatic test equipment
Power routing
Communication systems
Data acquisition systems
Sample-and-hold systems
Avionics
Relay replacement
Battery-powered systems

GENERAL DESCRIPTION

The ADG619/ADG620 are monolithic, CMOS single-pole double-throw (SPDT) switches. Each switch conducts equally well in both directions when the device is on.

The ADG619/ADG620 offer a low on resistance of 4 Ω , which is matched to within 0.7 Ω between channels. These switches also provide low power dissipation, yet result in high switching speeds. The ADG619 exhibits break-before-make switching action, thus preventing momentary shorting when switching channels. The ADG620 exhibits make-before-break action.

The ADG619/ADG620 are available in an 8-lead SOT-23 and an 8-lead MSOP.

FUNCTIONAL BLOCK DIAGRAM


NOTES
1. SWITCHES SHOWN FOR A LOGIC 1 INPUT.

Figure 1.

02617-001

PRODUCT HIGHLIGHTS

1. Low on resistance (R_{ON}): 4 Ω typical.
2. Dual ± 2.7 V to ± 5.5 V or single 2.7 V to 5.5 V supplies.
3. Low power dissipation.
4. Fast t_{ON}/t_{OFF} .
5. Tiny, 8-lead SOT-23 and 8-lead MSOP.

Table 1. Truth Table for the ADG619/ADG620

IN	Switch S1	Switch S2
0	On	Off
1	Off	On

Rev. C

Information furnished by Analog Devices is believed to be accurate and reliable. However, no responsibility is assumed by Analog Devices for its use, nor for any infringements of patents or other rights of third parties that may result from its use. Specifications subject to change without notice. No license is granted by implication or otherwise under any patent or patent rights of Analog Devices. Trademarks and registered trademarks are the property of their respective owners.

TABLE OF CONTENTS

Features	1	Absolute Maximum Ratings	6
Applications.....	1	ESD Caution.....	6
Functional Block Diagram	1	Pin Configurations and Function Descriptions	7
General Description	1	Typical Performance Characteristics	8
Product Highlights	1	Terminology	10
Revision History	2	Test Circuits.....	11
Specifications.....	3	Outline Dimensions	13
Dual Supply	3	Ordering Guide.....	14
Single Supply	5		

REVISION HISTORY

3/07—Rev. B to Rev. C	
Changes to Specifications	3
1/06—Rev. A to Rev. B	
Changes to R _{ON} Values in Table 2	2
Updated Outline Dimensions	13
Changes to Ordering Guide	13
6/03—Rev. 0 to Rev. A.	
Edits to Specifications	2
Changes to Ordering Guide	4
Updated Outline Dimensions	8

SPECIFICATIONS

DUAL SUPPLY

$V_{DD} = +5\text{ V} \pm 10\%$, $V_{SS} = -5\text{ V} \pm 10\%$, $GND = 0\text{ V}$. All specifications -40°C to $+85^\circ\text{C}$, unless otherwise noted.

Table 2.

Parameter	B Version ¹		Unit	Test Conditions/Comments
	+25°C	-40°C to +85°C		
ANALOG SWITCH				
Analog Signal Range		V_{SS} to V_{DD}	V	$V_{DD} = +4.5\text{ V}$, $V_{SS} = -4.5\text{ V}$
On Resistance (R_{ON})	4		Ω typ	$V_S = \pm 4.5\text{ V}$, $I_{DS} = -10\text{ mA}$; see Figure 15
	6.5	8.5	Ω max	
R_{ON} Match Between Channels (ΔR_{ON})	0.7		Ω typ	$V_S = \pm 4.5\text{ V}$, $I_{DS} = -10\text{ mA}$
	1.1	1.35	Ω max	
On-Resistance Flatness ($R_{FLAT(ON)}$)	0.7	0.8	Ω typ	$V_S = \pm 3.3\text{ V}$, $I_{DS} = -10\text{ mA}$
	1.35	1.4	Ω max	
LEAKAGE CURRENTS				
Source Off Leakage, I_S (Off)	± 0.01		nA typ	$V_{DD} = +5.5\text{ V}$, $V_{SS} = -5.5\text{ V}$
	± 0.25	± 1	nA max	$V_S = \pm 4.5\text{ V}$, $V_D = \mp 4.5\text{ V}$; see Figure 16
Channel On Leakage, I_D , I_S (On)	± 0.01		nA typ	$V_S = V_D = \pm 4.5\text{ V}$; see Figure 17
	± 0.25	± 1	nA max	
DIGITAL INPUTS				
Input High Voltage, V_{INH}		2.4	V min	
Input Low Voltage, V_{INL}		0.8	V max	
Input Current, I_{INL} or I_{INH}	0.005		μA typ	$V_{IN} = V_{INL}$ or V_{INH}
		± 0.1	μA max	
Digital Input Capacitance, C_{IN}	2		pF typ	
DYNAMIC CHARACTERISTICS²				
ADG619				
t_{ON}	80		ns typ	$R_L = 300\ \Omega$, $C_L = 35\text{ pF}$
	120	155	ns max	$V_S = 3.3\text{ V}$; see Figure 18
t_{OFF}	45		ns typ	$R_L = 300\ \Omega$, $C_L = 35\text{ pF}$
	75	90	ns max	$V_S = 3.3\text{ V}$; see Figure 18
Break-Before-Make Time Delay, t_{BBM}	40		ns typ	$R_L = 300\ \Omega$, $C_L = 35\text{ pF}$
		10	ns min	$V_{S1} = V_{S2} = 3.3\text{ V}$; see Figure 19
ADG620				
t_{ON}	40		ns typ	$R_L = 300\ \Omega$, $C_L = 35\text{ pF}$
	65	85	ns max	$V_S = 3.3\text{ V}$; see Figure 18
t_{OFF}	200		ns typ	$R_L = 300\ \Omega$, $C_L = 35\text{ pF}$
	330	400	ns max	$V_S = 3.3\text{ V}$; see Figure 18
Make-Before-Break Time Delay, t_{MBS}	160		ns typ	$R_L = 300\ \Omega$, $C_L = 35\text{ pF}$
		10	ns min	$V_S = 0\text{ V}$; see Figure 20
Charge Injection	110		pC typ	$V_S = 0\text{ V}$, $R_S = 0\ \Omega$, $C_L = 1\text{ nF}$; see Figure 21
Off Isolation	-67		dB typ	$R_L = 50\ \Omega$, $C_L = 5\text{ pF}$, $f = 1\text{ MHz}$; see Figure 22
Channel-to-Channel Crosstalk	-67		dB typ	$R_L = 50\ \Omega$, $C_L = 5\text{ pF}$, $f = 1\text{ MHz}$; see Figure 23
Bandwidth -3 dB	190		MHz typ	$R_L = 50\ \Omega$, $C_L = 5\text{ pF}$; see Figure 24
C_S (Off)	25		pF typ	$f = 1\text{ MHz}$
C_D , C_S (On)	95		pF typ	$f = 1\text{ MHz}$

ADG619/ADG620

Parameter	B Version ¹		Unit	Test Conditions/Comments
	+25°C	−40°C to +85°C		
POWER REQUIREMENTS				
I_{DD}	0.001	1.0	$\mu\text{A typ}$ $\mu\text{A max}$	$V_{DD} = +5.5\text{ V}, V_{SS} = -5.5\text{ V}$ Digital inputs = 0 V or 5.5 V
I_{SS}	0.001	1.0	$\mu\text{A typ}$ $\mu\text{A max}$	Digital inputs = 0 V or 5.5 V

¹ Temperature range for B version is −40°C to +85°C.

² Guaranteed by design, not subject to production test.

SINGLE SUPPLY

$V_{DD} = 5\text{ V} \pm 10\%$, $V_{SS} = 0\text{ V}$, $GND = 0\text{ V}$. All specifications -40°C to $+85^{\circ}\text{C}$, unless otherwise noted.

Table 3.

Parameter	B Version ¹		Unit	Test Conditions/Comments
	+25°C	-40°C to +85°C		
ANALOG SWITCH				
Analog Signal Range		0 V to V_{DD}	V	$V_{DD} = 4.5\text{ V}$, $V_{SS} = 0\text{ V}$
On Resistance (R_{ON})	7		Ω typ	$V_S = 0\text{ V}$ to 4.5 V , $I_{DS} = -10\text{ mA}$; see Figure 15
	10	12.5	Ω max	
R_{ON} Match Between Channels (ΔR_{ON})	0.8		Ω typ	$V_S = 0\text{ V}$ to 4.5 V , $I_{DS} = -10\text{ mA}$
	1.1	1.3	Ω max	
On-Resistance Flatness ($R_{FLAT(ON)}$)	0.5	0.5	Ω typ	$V_S = 1.5\text{ V}$ to 3.3 V , $I_{DS} = -10\text{ mA}$
		1.2	Ω max	
LEAKAGE CURRENTS				$V_{DD} = 5.5\text{ V}$
Source Off Leakage, I_S (Off)	± 0.01		nA typ	$V_S = 1\text{ V}/4.5\text{ V}$, $V_D = 4.5\text{ V}/1\text{ V}$; see Figure 16
	± 0.25	± 1	nA max	
Channel On Leakage, I_D , I_S (On)	± 0.01		nA typ	$V_S = V_D = 1\text{ V}/4.5\text{ V}$; see Figure 17
	± 0.25	± 1	nA max	
DIGITAL INPUTS				
Input High Voltage, V_{INH}		2.4	V min	
Input Low Voltage, V_{INL}		0.8	V max	
Input Current, I_{INL} or I_{INH}	0.005		μA typ	$V_{IN} = V_{INL}$ or V_{INH}
		± 0.1	μA max	
Digital Input Capacitance, C_{IN}	2		pF typ	
DYNAMIC CHARACTERISTICS²				
ADG619				
t_{ON}	120		ns typ	$R_L = 300\ \Omega$, $C_L = 35\text{ pF}$
	220	280	ns max	$V_S = 3.3\text{ V}$; see Figure 18
t_{OFF}	50		ns typ	$R_L = 300\ \Omega$, $C_L = 35\text{ pF}$
	75	110	ns max	$V_S = 3.3\text{ V}$; see Figure 18
Break-Before-Make Time Delay, t_{BBM}	70		ns typ	$R_L = 300\ \Omega$, $C_L = 35\text{ pF}$
		10	ns min	$V_{S1} = V_{S2} = 3.3\text{ V}$; see Figure 19
ADG620				
t_{ON}	50		ns typ	$R_L = 300\ \Omega$, $C_L = 35\text{ pF}$
	85	110	ns max	$V_S = 3.3\text{ V}$; see Figure 18
t_{OFF}	210		ns typ	$R_L = 300\ \Omega$, $C_L = 35\text{ pF}$
	340	420	ns max	$V_S = 3.3\text{ V}$; see Figure 18
Make-Before-Break Time Delay, t_{MBB}	170		ns typ	$R_L = 300\ \Omega$, $C_L = 35\text{ pF}$
		10	ns min	$V_S = 3.3\text{ V}$; see Figure 20
Charge Injection	6		pC typ	$V_S = 0\text{ V}$, $R_S = 0\ \Omega$, $C_L = 1\text{ nF}$; see Figure 21
Off Isolation	-67		dB typ	$R_L = 50\ \Omega$, $C_L = 5\text{ pF}$, $f = 1\text{ MHz}$; see Figure 22
Channel-to-Channel Crosstalk	-67		dB typ	$R_L = 50\ \Omega$, $C_L = 5\text{ pF}$, $f = 1\text{ MHz}$; see Figure 23
Bandwidth -3 dB	190		MHz typ	$R_L = 50\ \Omega$, $C_L = 5\text{ pF}$; see Figure 24
C_S (OFF)	25		pF typ	$f = 1\text{ MHz}$
C_D , C_S (ON)	95		pF typ	$f = 1\text{ MHz}$
POWER REQUIREMENTS				$V_{DD} = 5.5\text{ V}$
I_{DD}	0.001		μA typ	Digital inputs = 0 V or 5.5 V
		1.0	μA max	

¹ Temperature range for B version is -40°C to $+85^{\circ}\text{C}$.

² Guaranteed by design, not subject to production test.

ABSOLUTE MAXIMUM RATINGS

T_A = 25°C, unless otherwise noted.

Table 4.

Parameter	Rating
V _{DD} to V _{SS}	13 V
V _{DD} to GND	−0.3 V to +6.5 V
V _{SS} to GND	+0.3 V to −6.5 V
Analog Inputs ¹	V _{SS} − 0.3 V to V _{DD} + 0.3 V
Digital Inputs ¹	−0.3 V to V _{DD} + 0.3 V or 30 mA (whichever occurs first)
Peak Current, S or D	100 mA (pulsed at 1 ms, 10% duty cycle maximum)
Continuous Current, S or D	50 mA
Operating Temperature Range Industrial (B Version)	−40°C to +85°C
Storage Temperature Range	−65°C to +150°C
Junction Temperature	150°C
MSOP	
θ _{JA} Thermal Impedance	206°C/W
θ _{JC} Thermal Impedance	44°C/W
SOT-23	
θ _{JA} Thermal Impedance	229.6°C/W
θ _{JC} Thermal Impedance	91.99°C/W
Lead Temperature, Soldering (10 sec)	300°C
IR Reflow, Peak Temperature	220°C

¹ Overvoltages at IN, S, or D are clamped by internal diodes. Current should be limited to the maximum ratings given.

Stresses above those listed under Absolute Maximum Ratings may cause permanent damage to the device. This is a stress rating only; functional operation of the device at these or any other conditions above those indicated in the operational section of this specification is not implied. Exposure to absolute maximum rating conditions for extended periods may affect device reliability.

Only one absolute maximum rating may be applied at a time.

ESD CAUTION



ESD (electrostatic discharge) sensitive device. Charged devices and circuit boards can discharge without detection. Although this product features patented or proprietary protection circuitry, damage may occur on devices subjected to high energy ESD. Therefore, proper ESD precautions should be taken to avoid performance degradation or loss of functionality.

PIN CONFIGURATIONS AND FUNCTION DESCRIPTIONS



Figure 2. 8-Lead SOT-23 (RJ-8)



Figure 3. 8-Lead MSOP (RM-8)

Table 5. Pin Function Descriptions

Pin No.	Mnemonic	Description
1	D	Drain Terminal. Can be an input or output.
2	S1	Source Terminal. Can be an input or output.
3	GND	Ground (0 V) Reference.
4	V _{DD}	Most Positive Power Supply.
5	NC	No Connect. Not internally connected.
6	IN	Logic Control Input.
7	V _{SS}	Most Negative Power Supply. This pin is only used in dual-supply applications and should be tied to ground in single-supply applications.
8	S2	Source Terminal. Can be an input or output.

TYPICAL PERFORMANCE CHARACTERISTICS

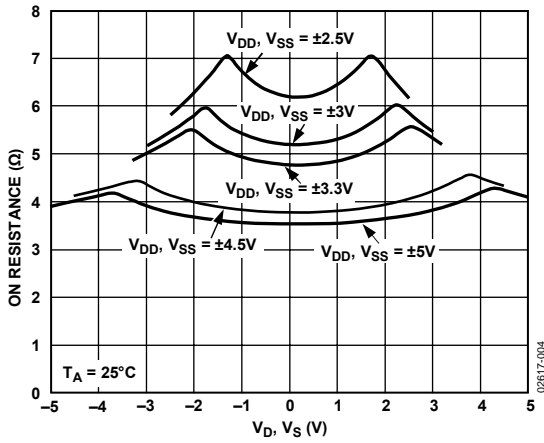


Figure 4. On Resistance vs. V_D, V_S (Dual Supply)

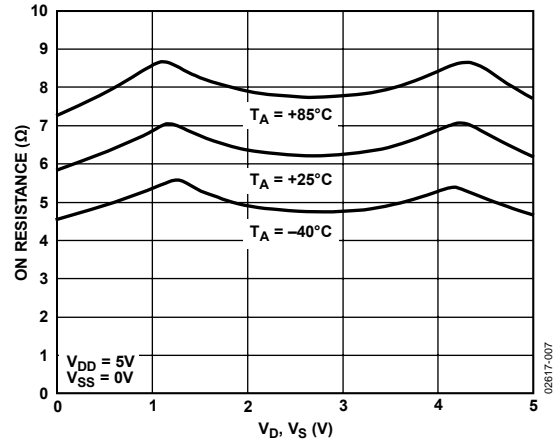


Figure 7. On Resistance vs. V_D, V_S for Different Temperatures (Single Supply)

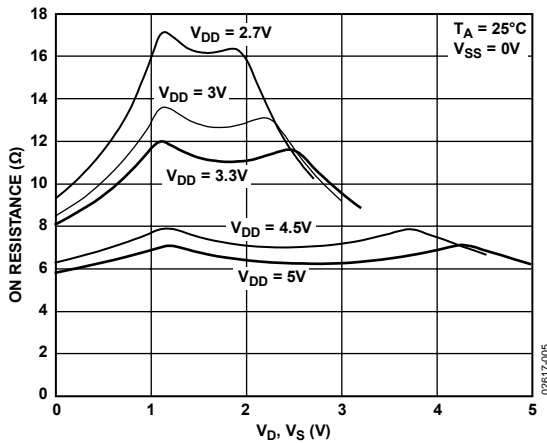


Figure 5. On Resistance vs. V_D, V_S (Single Supply)



Figure 8. Leakage Currents vs. Temperature (Dual Supply)

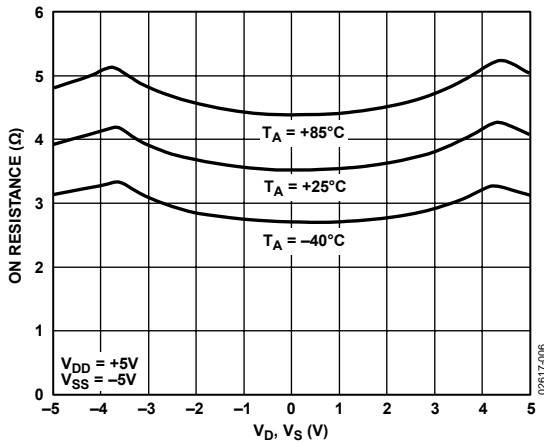


Figure 6. On Resistance vs. V_D, V_S for Different Temperatures (Dual Supply)

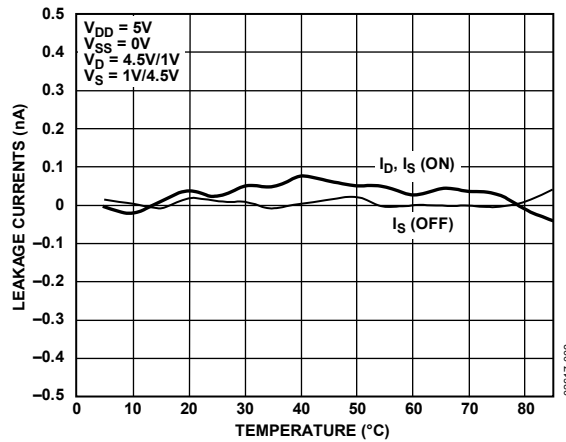


Figure 9. Leakage Currents vs. Temperature (Single Supply)



Figure 10. Charge Injection vs. Source Voltage



Figure 13. Crosstalk vs. Frequency



Figure 11. t_{ON}/t_{OFF} Times vs. Temperatures



Figure 14. On Response vs. Frequency



Figure 12. Off Isolation vs. Frequency

TERMINOLOGY

I_{DD}
Positive supply current.

I_{SS}
Negative supply current.

R_{ON}
Ohmic resistance between D and S terminals.

ΔR_{ON}
On resistance match between any two channels.

R_{FLAT (ON)}
Flatness is defined as the difference between the maximum and minimum value of on resistance as measured over the specified analog signal range.

I_{S (Off)}
Source leakage current with the switch off.

I_D, I_{S (On)}
Channel leakage current with the switch on.

V_D, V_S
Analog voltage on Terminal D and Terminal S.

V_{INL}
Maximum input voltage for Logic 0.

V_{INH}
Minimum input voltage for Logic 1.

I_{INL}, I_{INH}
Input current of the digital input.

C_{S (Off)}
Off switch source capacitance.

C_D, C_{S (On)}
On switch capacitance.

t_{ON}
Delay between applying the digital control input and the output switching on.

t_{OFF}
Delay between applying the digital control input and the output switching off.

t_{MBB}
On time is measured between the 80% points of both switches, when switching from one address state to another.

t_{BBM}
Off time or on time is measured between the 90% points of both switches, when switching from one address state to another.

Charge Injection
A measure of the glitch impulse transferred from the digital input to the analog output during switching.

Crosstalk
A measure of unwanted signal coupled through from one channel to another as a result of parasitic capacitance.

Off Isolation
A measure of unwanted signal coupling through an off switch.

Bandwidth
The frequency response of the on switch.

Insertion Loss
The loss due to the on resistance of the switch.

TEST CIRCUITS



Figure 15. On Resistance



Figure 16. Off Leakage



Figure 17. On Leakage



Figure 18. Switching Times

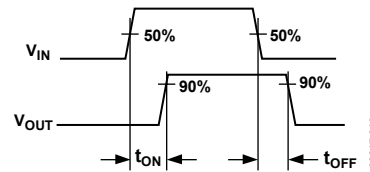


Figure 19. Break-Before-Make Time Delay, t_{BBM} (ADG619 Only)



Figure 20. Make-Before-Break Time Delay, t_{MBB} (ADG620 Only)



Figure 21. Charge Injection



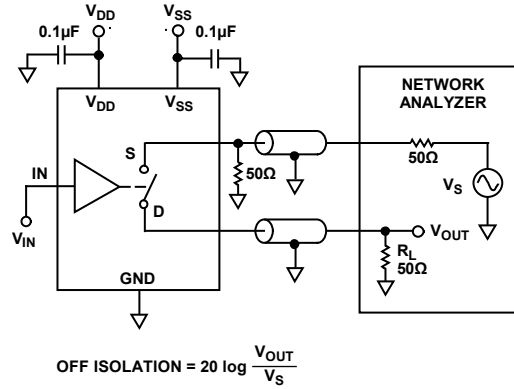


Figure 22. Off Isolation

02817-022

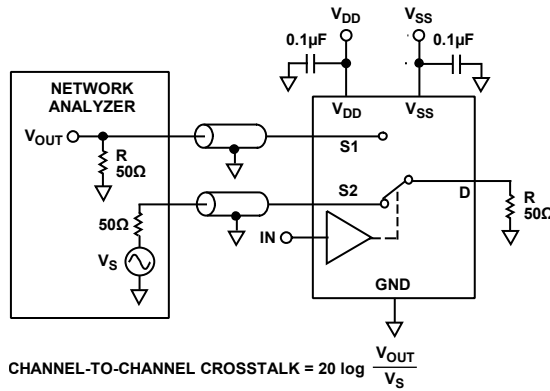


Figure 23. Channel-to-Channel Crosstalk

02817-023

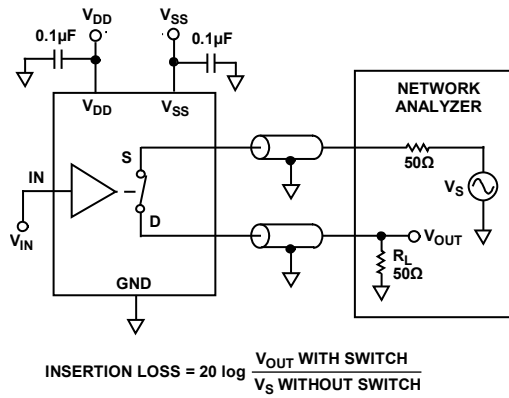


Figure 24. Bandwidth

02817-024

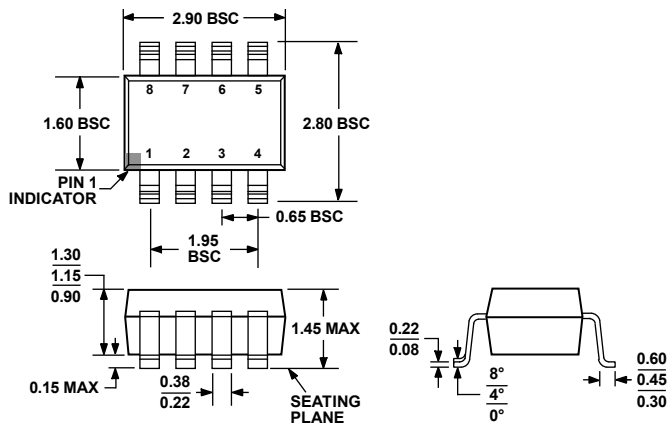
OUTLINE DIMENSIONS



COMPLIANT TO JEDEC STANDARDS MO-187-AA

Figure 25. 8-Lead Mini Small Outline Package [MSOP] (RM-8)

Dimensions shown in millimeters



COMPLIANT TO JEDEC STANDARDS MO-178-BA

Figure 26. 8-Lead Small Outline Transistor Package [SOT-23] (RJ-8)

Dimensions shown in millimeters

ADG619/ADG620

ORDERING GUIDE

Model	Temperature Range	Package Description	Package Option	Branding ¹
ADG619BRM	-40°C to +85°C	8-Lead Mini Small Outline Package (MSOP)	RM-8	SVB
ADG619BRM-REEL	-40°C to +85°C	8-Lead Mini Small Outline Package (MSOP)	RM-8	SVB
ADG619BRM-REEL7	-40°C to +85°C	8-Lead Mini Small Outline Package (MSOP)	RM-8	SVB
ADG619BRMZ ²	-40°C to +85°C	8-Lead Mini Small Outline Package (MSOP)	RM-8	SCC
ADG619BRMZ-REEL ²	-40°C to +85°C	8-Lead Mini Small Outline Package (MSOP)	RM-8	SCC
ADG619BRMZ-REEL7 ²	-40°C to +85°C	8-Lead Mini Small Outline Package (MSOP)	RM-8	SCC
ADG619BRT-REEL	-40°C to +85°C	8-Lead Small Outline Transistor Package (SOT-23)	RJ-8	SVB
ADG619BRT-REEL7	-40°C to +85°C	8-Lead Small Outline Transistor Package (SOT-23)	RJ-8	SVB
ADG619BRT-500RL7	-40°C to +85°C	8-Lead Small Outline Transistor Package (SOT-23)	RJ-8	SVB
ADG619BRTZ-REEL ²	-40°C to +85°C	8-Lead Small Outline Transistor Package (SOT-23)	RJ-8	SCC
ADG619BRTZ-REEL7 ²	-40°C to +85°C	8-Lead Small Outline Transistor Package (SOT-23)	RJ-8	SCC
ADG619BRTZ-500RL7 ²	-40°C to +85°C	8-Lead Small Outline Transistor Package (SOT-23)	RJ-8	SCC
ADG620BRM	-40°C to +85°C	8-Lead Mini Small Outline Package (MSOP)	RM-8	SWB
ADG620BRM-REEL	-40°C to +85°C	8-Lead Mini Small Outline Package (MSOP)	RM-8	SWB
ADG620BRM-REEL7	-40°C to +85°C	8-Lead Mini Small Outline Package (MSOP)	RM-8	SWB
ADG620BRMZ ²	-40°C to +85°C	8-Lead Mini Small Outline Package (MSOP)	RM-8	S21
ADG620BRT-REEL	-40°C to +85°C	8-Lead Small Outline Transistor Package (SOT-23)	RJ-8	SWB
ADG620BRT-REEL7	-40°C to +85°C	8-Lead Small Outline Transistor Package (SOT-23)	RJ-8	SWB
ADG620BRTZ-REEL7 ²	-40°C to +85°C	8-Lead Small Outline Transistor Package (SOT-23)	RJ-8	S21

¹ Branding on SOT-23 and MSOP is limited to three characters due to space constraints.

² Z = RoHS Compliant Part.

NOTES

NOTES

Компания «Океан Электроники» предлагает заключение долгосрочных отношений при поставках импортных электронных компонентов на взаимовыгодных условиях!

Наши преимущества:

- Поставка оригинальных импортных электронных компонентов напрямую с производств Америки, Европы и Азии, а так же с крупнейших складов мира;
- Широкая линейка поставок активных и пассивных импортных электронных компонентов (более 30 млн. наименований);
- Поставка сложных, дефицитных, либо снятых с производства позиций;
- Оперативные сроки поставки под заказ (от 5 рабочих дней);
- Экспресс доставка в любую точку России;
- Помощь Конструкторского Отдела и консультации квалифицированных инженеров;
- Техническая поддержка проекта, помощь в подборе аналогов, поставка прототипов;
- Поставка электронных компонентов под контролем ВП;
- Система менеджмента качества сертифицирована по Международному стандарту ISO 9001;
- При необходимости вся продукция военного и аэрокосмического назначения проходит испытания и сертификацию в лаборатории (по согласованию с заказчиком);
- Поставка специализированных компонентов военного и аэрокосмического уровня качества (Xilinx, Altera, Analog Devices, Intersil, Interpoint, Microsemi, Actel, Aeroflex, Peregrine, VPT, Syfer, Eurofarad, Texas Instruments, MS Kennedy, Miteq, Cobham, E2V, MA-COM, Hittite, Mini-Circuits, General Dynamics и др.);

Компания «Океан Электроники» является официальным дистрибьютором и эксклюзивным представителем в России одного из крупнейших производителей разъемов военного и аэрокосмического назначения «JONHON», а так же официальным дистрибьютором и эксклюзивным представителем в России производителя высокотехнологичных и надежных решений для передачи СВЧ сигналов «FORSTAR».



JONHON

«JONHON» (основан в 1970 г.)

Разъемы специального, военного и аэрокосмического назначения:

(Применяются в военной, авиационной, аэрокосмической, морской, железнодорожной, горно- и нефтедобывающей отраслях промышленности)

«FORSTAR» (основан в 1998 г.)

ВЧ соединители, коаксиальные кабели, кабельные сборки и микроволновые компоненты:

(Применяются в телекоммуникациях гражданского и специального назначения, в средствах связи, РЛС, а так же военной, авиационной и аэрокосмической отраслях промышленности).



Телефон: 8 (812) 309-75-97 (многоканальный)

Факс: 8 (812) 320-03-32

Электронная почта: ocean@oceanchips.ru

Web: <http://oceanchips.ru/>

Адрес: 198099, г. Санкт-Петербург, ул. Калинина, д. 2, корп. 4, лит. А