

K-no.: 26019

25 A Current Sensor for 5V- Supply Voltage

 For electronic current measurement:
 DC, AC, pulsed, mixed ..., with a galvanic
 isolation between primary circuit
 (high power) and secondary circuit
 (electronic circuit)

Date: 05.02.2014

Customer: Standard type

Customers Part no.:
Page 1 **of** 2

Description

- Closed loop (compensation)
- Current Sensor with magnetic field probe
- Printed circuit board mounting
- Casing and materials UL-listed

Characteristics

- Excellent accuracy
- Very low offset current
- Very low temperature dependency and offset current drift
- Very low hysteresis of offset current
- Short response time
- Wide frequency bandwidth
- Compact design
- Reduced offset ripple

Applications

Mainly used for stationary operation in industrial applications:

- AC variable speed drives and servo motor drives
- Static converters for DC motor drives
- Battery supplied applications
- Switched Mode Power Supplies (SMPS)
- Power Supplies for welding applications
- Uninterruptible Power Supplies (UPS)

Electrical data – Ratings

I_{PN}	Primary nominal r.m.s. current	25	A
V_{out}	Output voltage @ I_P	$V_{Ref} \pm (0.625 \cdot I_P / I_{PN})$	V
V_{out}	Output voltage @ $I_P=0, T_A=25^\circ C$	$V_{Ref} \pm 0.00135$	V
V_{Ref}	External Reference voltage range	0...4	V
	Internal Reference voltage	2.5 ± 0.005	V
K_N	Turns ratio	1...4 : 2000	

Accuracy – Dynamic performance data

		min.	typ.	max.	Unit
$I_{P,max}$	Max. measuring range	±85			
X	Accuracy @ $I_{PN}, T_A=25^\circ C$			0.7	%
ϵ_L	Linearity			0.1	%
$V_{out} - V_{Ref}$	Offset voltage @ $I_P=0, T_A=25^\circ C$			±1.35	mV
$\Delta V_o / V_{Ref} / \Delta T$	Temperature drift of V_{out} @ $I_P=0, V_{Ref}=2,5V, T_A=-40...85^\circ C$	1.4	10		ppm/°C
t_r	Response time @ 90% von I_{PN}		300		ns
$\Delta t (I_{P,max})$	Delay time at $di/dt = 100 A/\mu s$		200		ns
f	Frequency bandwidth	DC...200			kHz

General data

		min.	typ.	max.	Unit
T_A	Ambient operating temperature	-40		+85	°C
T_S	Ambient storage temperature	-40		+105	°C
m	Mass		12		g
V_C	Supply voltage	4.75	5	5.25	V
I_C	Current consumption		15		mA

 Constructed and manufactured and tested in accordance with EN 61800-5-1 (Pin 1 – 4 to Pin 5 – 12)
 Reinforced insulation, Insulation material group 1, Pollution degree 2

S_{clear}	Clearance (component without solder pad)	9.6			mm
S_{creep}	Creepage (component without solder pad)	10.6			mm
V_{sys}	System voltage overvoltage category 3	RMS		600	V
V_{work}	Working voltage	RMS		1060	V
U_{PD}	Rated discharge voltage	peak value		1320	V

 Note: According UL 508: Max. potential difference = 600 V_A

Date	Name	Issue	Amendment
05.02.14	Ga.	83	Marking changed acc to UL-specification. 4646X761-82 → 4646-X761-83. CN-922
24.05.13	Ga	82	Schematic diagram: Iout changed to Vout on Pin2. Mechanical outline: size 1.84 added. Lapidary change.

Hrsg.: KB-E editor	Bearb: Le designer	KB-PM: Ga. check	freig.: HS released
-----------------------	-----------------------	---------------------	------------------------

K-no.: 26019

25 A Current Sensor for 5V- Supply Voltage

For electronic current measurement:
DC, AC, pulsed, mixed ..., with a galvanic
isolation between primary circuit
(high power) and secondary circuit
(electronic circuit)

Date: 05.02.2014

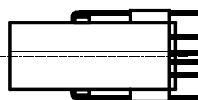
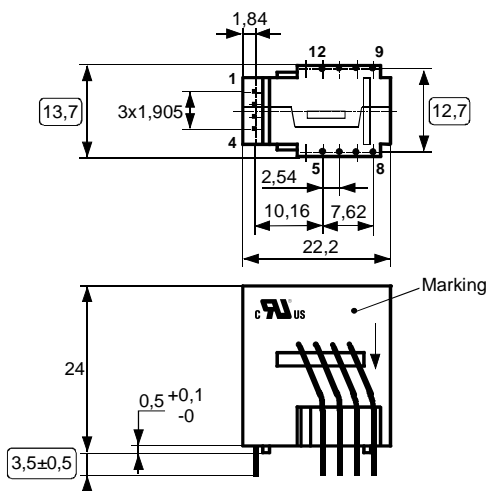
Customer: Standard type

Customers Part no.:

Page 2 of 2

Mechanical outline (mm):

General tolerances DIN ISO 2768-c



Connections:

1...4: 0,46*0,46 mm
5..12: Ø 1 mm

Marking:

VAC UL-sign
4646-X761-83
F DC

○ test dimension

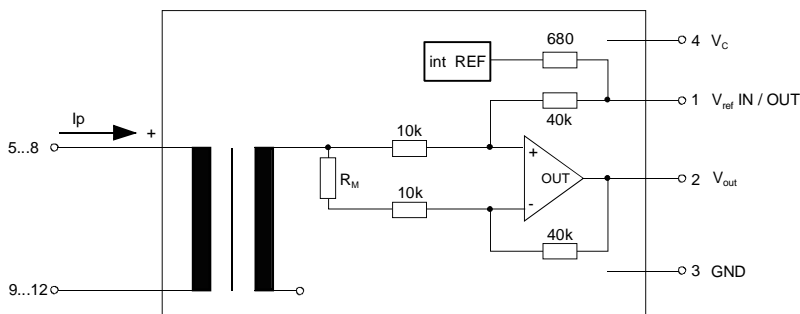
Tolerances grid distance ±0,25mm

DC= Date Code
F = Factory

Explanation:

DC = Date Code [YWW]

Schematic diagram



Possibilities of wiring (@ T_A = 85°C)

primary windings	primary current RMS	primary current maximal	output voltage RMS	turns ratio	primary resistance	wiring
N _p	I _p [A]	I _{p,max} [A]	V _{out} (I _p) [V]	K _N	R _p [mΩ]	
1	25	±85	2.5±0.625	1:2000	0.25	
2	12	±42	2.5±0.600	2:2000	1.0	
4	6	±21	2.5±0.600	4:2000	4	

Operating temperature of the current sensor and the primary conductor must not exceed 105°C.

Additional information is obtainable on request.

This specification is no declaration of warranty acc. BGB §443 dar.

Hrsg.: KB-E
editor

Bearb.: Le
designer

KB-PM: Ga.
check

freig.: HS
released

K-No.: 26019

25 A Current Sensor for 5V-Supply Voltage

 For the electronic measurement of currents:
 DC, AC, pulsed, mixed ..., with a galvanic
 isolation between the primary circuit
 (high power) and the secondary circuit

Date: 05.02.2014

Customer:
Customers Part No.:
Page 1 **of** 2

Electrical Data

		min.	typ.	max.	Unit
V_{Ctot}	Maximum supply voltage (without function)			7	V
I_C	Supply Current with primary current		15mA + $I_p \cdot K_N + V_{out}/R_L$		mA
$I_{out,SC}$	Short circuit output current		± 20		mA
R_P	Resistance / primary winding @ $T_A=25^\circ C$		1		m Ω
R_S	Secondary coil resistance @ $T_A=85^\circ C$			67	Ω
$R_{i,Ref}$	Internal resistance of Reference input		670		Ω
$R_{is}(V_{out})$	Output resistance of V_{out}			1	Ω
R_L	External recommended resistance of V_{out}	1			k Ω
C_L	External recommended capacitance of V_{out}			500	pF
$\Delta X_{Ti}/\Delta T$	Temperature drift of X @ $T_A = -40 \dots +85^\circ C$			40	ppm/K
$\Delta V_0 = \Delta(V_{out} - V_{Ref})$	Sum of any offset drift including:		2	6	mV
V_{0t}	Longtermdrift of V_0		1		mV
V_{0T}	Temperature drift von V_0 @ $T_A = -40 \dots +85^\circ C$		1		mV
V_{0H}	Hysteresis of V_{out} @ $I_p=0$ (after an overload of $10 \times I_{PN}$)			2	mV
V_{0H}	Hysteresis of V_{out} @ $I_p=0$ (after an overload of 66 A)			0.5	mV
$\Delta V_0/\Delta V_C$	Supply voltage rejection ratio			1	mV/V
V_{oss}	Offsetripple (with 1 MHz- filter first order)			30	mV
V_{oss}	Offsetripple (with 100 kHz- filter first order)		3	6	mV
V_{oss}	Offsetripple (with 20 kHz- filter first order)		0.8	1.5	mV
C_k	Maximum possible coupling capacity (primary – secondary) Mechanical stress according to M3209/3 Settings: 10 – 2000 Hz, 1 min/Octave, 2 hours		5	10 30g	pF

Inspection (Measurement after temperature balance of the samples at room temperature; SC = significant characteristic)

$V_{out}(I_p=I_{PN})$	(V)	M3011/6:	Output voltage vs. external reference ($I_p=25A$, 40-80Hz)	$625 \pm 0,7\%$	mV (SC)
$V_{out} - V_{Ref}(I_p=0)$	(V)	M3226:	Offset voltage	± 1.35	mV
V_d	(V)	M3014:	Test voltage, rms, 1 s pin 1 – 4 vs. pin 5 – 12	1.8	kV
V_e	(AQL 1/S4)		Partial discharge voltage acc.M3024 (RMS) with V_{vor} (RMS)	1400 1750	V V

Type Testing (Pin 1 - 4 to Pin 5 - 12)

V_W			HV transient test according to M3064 (1,2 μs / 50 μs -wave form)	8	kV	
V_d			Testing voltage to M3014	(5 s)	3.6	kV
V_e			Partial discharge voltage acc.M3024 (RMS) with V_{vor} (RMS)	1400 1750	V V	

Applicable documents

Current direction: A positive output current appears at point I_s , by primary current in direction of the arrow.
 Housing and bobbin material UL-listed: Flammability class 94V-0.
 Enclosures according to IEC529: IP50.

Further standards UL 508 ; file E317483, category NMTR2 / NMTR8

Datum	Name	Index	Amendment
05.02.14	Ga.	83	Date updated.
24.05.13	Ga.	82	Vctot changed from 6V to 7V. lapidary change.

Hrsg.: KB-E editor	Bearb.: Le. designer		KB-PM: Kre. check		freig.: HS released
-----------------------	-------------------------	--	----------------------	--	------------------------

Weitergabe sowie Vervielfältigung dieser Unterlage, Verwertung und Mitteilung ihres Inhalts nicht gestattet, soweit nicht ausdrücklich zugestanden. Zuwiderhandlungen verpflichten zu Schadenersatz. Alle Rechte für den Fall der Patenterteilung oder GM-Eintragung vorbehalten

Copying of this document, disclosing it to third parties or using the contents there for any purposes without express written authorization by use illegally forbidden.
 Any offenders are liable to pay all relevant damages.

K-No.: 26019

25 A Current Sensor for 5V-Supply Voltage

 For the electronic measurement of currents:
 DC, AC, pulsed, mixed ..., with a galvanic
 isolation between the primary circuit
 (high power) and the secondary circuit

Date: 05.02.2014

Customer:
Customers Part No.:
Page 2 **of** 2

Explanation of several of the terms used in the tablets (in alphabetical order)

t: Response time (describe the dynamic performance for the specified measurement range), measured as delay time at $I_P = 0,9 \cdot I_{PN}$ between a rectangular current and the output voltage $V_{out}(I_P)$

$\Delta t (I_{Pmax})$: Delay time (describe the dynamic performance for the rapid current pulse rate e.g short circuit current) measured between I_{Pmax} and the output voltage $V_{out}(I_{Pmax})$ with a primary current rise of $di_P/dt \geq 100 \text{ A}/\mu\text{s}$.

V_0 : Offset voltage between V_{out} and the rated reference voltage of $V_{ref} = 2,5V$.
 $V_0 = V_{out}(0) - 2,5V$

U_{PD} Rated discharge voltage (recurring peak voltage separated by the insulation) proved with a sinusoidal voltage V_e
 $U_{PD} = \sqrt{2} \cdot V_e / 1,5$

V_{vor} Defined voltage is the RMS value of a sinusoidal voltage with peak value of $1,875 \cdot U_{PD}$ required for partial discharge test in IEC 61800-5-1
 $V_{vor} = 1,875 \cdot U_{PD} / \sqrt{2}$

V_{sys} System voltage RMS value of rated voltage according to IEC 61800-5-1

V_{work} Working voltage voltage according to IEC 61800-5-1 which occurs by design in a circuit or across insulation

V_{0H} : Zero variation of V_0 after overloading with a DC of tenfold the rated value

V_{0t} : Long term drift of V_0 after 100 temperature cycles in the range -40 bis 85 °C.

X: Permissible measurement error in the final inspection at RT, defined by

$$X = 100 \cdot \left| \frac{V_{out}(I_{PN}) - V_{out}(0)}{0,625V} - 1 \right| \%$$

$X_{ges}(I_{PN})$: Permissible measurement error including any drifts over the temperature range by the current measurement I_{PN}

$$X_{ges} = 100 \cdot \left| \frac{V_{out}(I_{PN}) - 2,5V}{0,625V} - 1 \right| \% \quad \text{or} \quad X_{ges} = 100 \cdot \left| \frac{V_{out}(I_{PN}) - V_{ref}}{0,625V} - 1 \right| \%$$

ϵ_L : Linearity fault defined by
$$\epsilon_L = 100 \cdot \left| \frac{I_P}{I_{PN}} - \frac{V_{out}(I_P) - V_{out}(0)}{V_{out}(I_{PN}) - V_{out}(0)} \right| \%$$

This "Additional information" is no declaration of warranty according BGB §443.

Hrsg.: KB-E
 editor

Bearb.: Le.
 designer

KB-PM: Kre.
 check

freig.: HS
 released

Компания «Океан Электроники» предлагает заключение долгосрочных отношений при поставках импортных электронных компонентов на взаимовыгодных условиях!

Наши преимущества:

- Поставка оригинальных импортных электронных компонентов напрямую с производств Америки, Европы и Азии, а так же с крупнейших складов мира;
- Широкая линейка поставок активных и пассивных импортных электронных компонентов (более 30 млн. наименований);
- Поставка сложных, дефицитных, либо снятых с производства позиций;
- Оперативные сроки поставки под заказ (от 5 рабочих дней);
- Экспресс доставка в любую точку России;
- Помощь Конструкторского Отдела и консультации квалифицированных инженеров;
- Техническая поддержка проекта, помощь в подборе аналогов, поставка прототипов;
- Поставка электронных компонентов под контролем ВП;
- Система менеджмента качества сертифицирована по Международному стандарту ISO 9001;
- При необходимости вся продукция военного и аэрокосмического назначения проходит испытания и сертификацию в лаборатории (по согласованию с заказчиком);
- Поставка специализированных компонентов военного и аэрокосмического уровня качества (Xilinx, Altera, Analog Devices, Intersil, Interpoint, Microsemi, Actel, Aeroflex, Peregrine, VPT, Syfer, Eurofarad, Texas Instruments, MS Kennedy, Miteq, Cobham, E2V, MA-COM, Hittite, Mini-Circuits, General Dynamics и др.);

Компания «Океан Электроники» является официальным дистрибьютором и эксклюзивным представителем в России одного из крупнейших производителей разъемов военного и аэрокосмического назначения «JONHON», а так же официальным дистрибьютором и эксклюзивным представителем в России производителя высокотехнологичных и надежных решений для передачи СВЧ сигналов «FORSTAR».



JONHON

«JONHON» (основан в 1970 г.)

Разъемы специального, военного и аэрокосмического назначения:

(Применяются в военной, авиационной, аэрокосмической, морской, железнодорожной, горно- и нефтедобывающей отраслях промышленности)

«FORSTAR» (основан в 1998 г.)

ВЧ соединители, коаксиальные кабели, кабельные сборки и микроволновые компоненты:

(Применяются в телекоммуникациях гражданского и специального назначения, в средствах связи, РЛС, а так же военной, авиационной и аэрокосмической отраслях промышленности).



Телефон: 8 (812) 309-75-97 (многоканальный)

Факс: 8 (812) 320-03-32

Электронная почта: ocean@oceanchips.ru

Web: <http://oceanchips.ru/>

Адрес: 198099, г. Санкт-Петербург, ул. Калинина, д. 2, корп. 4, лит. А