

Circuits from the Lab[®]
Reference Designs

Circuits from the Lab[®] reference designs are engineered and tested for quick and easy system integration to help solve today's analog, mixed-signal, and RF design challenges. For more information and/or support, visit www.analog.com/CN0179.

Devices Connected/Referenced

AD8657	18 V, Precision, Micropower CMOS Rail-to-Rail I/O Dual Operational Amplifier
ADR02	Ultracompact Precision 5 V Voltage Reference
AD5641	2.7 V to 5.5 V, <100 μ A, 14-Bit nanoDAC, SPI Interface

4-20 mA Low Power, 14-Bit, Process Control Current Loop Transmitter

EVALUATION AND DESIGN SUPPORT

Circuit Evaluation Boards

[CN0179 Circuit Evaluation Board \(EVAL-CN0179-PMDZ\)](#)
[System Demonstration Platform \(EVAL-SDP-CB1Z\)](#)
[SDP Interposer Board \(SDP-PMD-1B1Z\)](#)

Design and Integration Files

[Schematics](#), [Layout Files](#), [Bill of Materials](#)

CIRCUIT FUNCTION AND BENEFITS

The circuit in Figure 1 is a 4 mA-to-20 mA current loop transmitter for communication between a process control system and its actuator. Besides being cost effective, this circuit offers the industry's low power solution. The 4 mA-to-20 mA current loop has been used extensively in programmable logic controllers (PLCs) and distributed control systems (DCS's), with digital or analog inputs and outputs. Current loop interfaces are usually preferred because they offer the most cost effective approach to long distance noise immune data transmission. The combination of the low power AD8657 dual op amp, AD5641 DAC, and ADR02 reference allows more power

budget for higher power devices, such as microcontrollers and digital isolators. The circuit output is 0 mA to 20 mA of current, and it operates on a single supply from 8 V to 18 V. The 4 mA to 20 mA range is usually mapped to represent the input control range from the DAC or micro-controller, while the output current range of 0 mA to 4 mA is often used to diagnose fault conditions.

The 14-bit, 5 V AD5641 requires 75 μ A typical supply current. The AD8657 is a rail-to-rail input/output dual op amp and is one of the lowest power amplifiers currently available in the industry (22 μ A per amplifier over the full supply voltage and input common-mode range) with high operating voltage of up to 18 V. The ADR02 ultracompact precision 5 V voltage reference requires only 650 μ A. Together, these three devices consume a typical supply current of 747 μ A.

The circuit has a 12-pin Pmod[™] digital interface (Digilent specification).

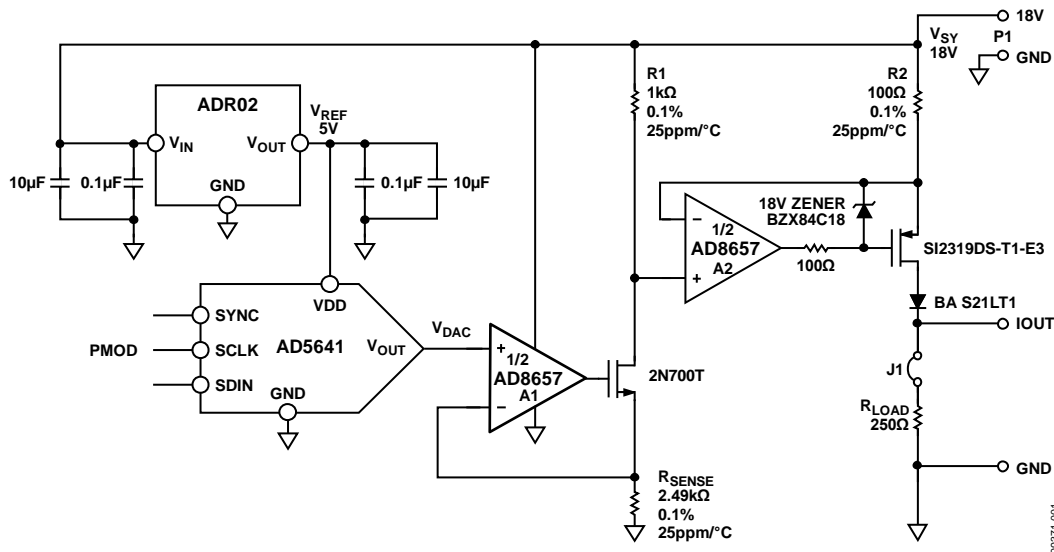


Figure 1. Low Power 4 mA-to-20 mA Process Control Current Loop (Simplified Schematic: All Connections and Decoupling Not Shown)

Rev. A

Circuits from the Lab[®] reference designs from Analog Devices have been designed and built by Analog Devices engineers. Standard engineering practices have been employed in the design and construction of each circuit, and their function and performance have been tested and verified in a lab environment at room temperature. However, you are solely responsible for testing the circuit and determining its suitability and applicability for your use and application. Accordingly, in no event shall Analog Devices be liable for direct, indirect, special, incidental, consequential or punitive damages due to any cause whatsoever connected to the use of any Circuits from the Lab circuits. (Continued on last page)

CIRCUIT DESCRIPTION

For industrial and process control modules, 4 mA-to-20 mA current loop transmitters are used as a means of communication between the control unit and the actuator. Located at the control unit, the 14-bit [AD5641](#) DAC produces an output voltage, V_{DAC} , between 0 V and 5 V as a function of the input code. The code is set via an SPI interface. The ideal relationship between the input code and output voltage is given by

$$V_{DAC} = V_{REF} \times (D/2^{14}) \quad (1)$$

where:

V_{REF} is the output of [ADR02](#) and the power supply to the [AD5641](#). D is the decimal equivalent of the binary code that is loaded to the [AD5641](#).

The DAC output voltage sets the current flowing through the sense resistor, R_{SENSE} , where

$$I_{SENSE} = V_{DAC}/R_{SENSE} \quad (2)$$

The current through R_{SENSE} varies from 0 mA to 2 mA as a function of V_{DAC} . This current develops a voltage across $R1$ and sets the voltage at the noninverting input of the [AD8657](#) amplifier (A2). The A2 [AD8657](#) closes the loop and brings the inverting input voltage to the same voltage as the noninverting input. Therefore, the current flowing through $R1$ is mirrored by a factor of 10 to $R2$. This is represented by Equation 3.

$$I_{OUT} = I_{R2} = (V_{DAC}/R_{SENSE}) \times (R1/R2) \quad (3)$$

With V_{DAC} ranging from 0 V to 5 V, the circuit generates a current output from 0 mA to 20 mA.

The [AD5641](#) is a 14-bit DAC from the *nanoDAC* family and operates from the 5 V output voltage of the [ADR02](#) reference. It has an on-chip precision output buffer that is capable of swinging from rail-to-rail (within 10 mV), thus allowing a high dynamic output range. With a supply voltage of 5 V, [AD5641](#) consumes a typical 75 μ A of supply current.

In addition, this circuit solution requires a rail-to-rail input amplifier. The [AD8657](#) dual op amp is an excellent choice, with low power and rail-to-rail features. The op amp operates with a typical supply current of 22 μ A/amplifier over the specified supply voltage and input common-mode voltage. It also offers excellent noise and bandwidth per unit of current. The [AD8657](#) is one of the lowest power amplifiers that operate on supplies of up to 18 V.

The [ADR02](#) is an ultracompact, precision 5 V voltage reference. With an 18 V input voltage, quiescent current is only 650 μ A, typical. It has an initial accuracy of 0.06% (B-grade) and 10 μ V p-p voltage noise. Connecting a 0.1 μ F ceramic capacitor to the output is highly recommended to improve stability and filter out low level voltage noise. An additional 1 μ F to 10 μ F electrolytic, tantalum, or ceramic capacitor in parallel can improve load transient response. A 1 μ F to 10 μ F electrolytic, tantalum or ceramic capacitor can also be connected to the input to improve transient response in applications where the supply voltage may fluctuate. An additional 0.1 μ F ceramic capacitor should be connected in parallel to reduce supply noise.

Bypass capacitors (not shown in Figure 1) are required. In this case, a 10 μ F tantalum capacitor in parallel with a 0.1 μ F ceramic capacitor should be placed on each power pin of each dual op amp. Details of proper decoupling techniques can be found in [Tutorial MT-101](#).

Figure 2 shows the linearity of the system, that is the measured output current from the circuit DAC input code from 0 to full-scale.

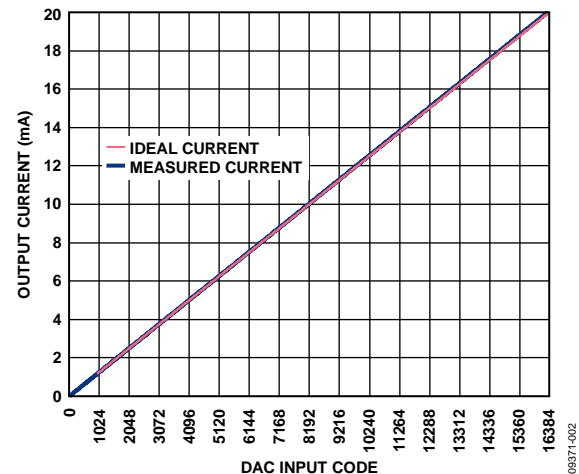


Figure 2. 0 mA to 20 mA Output Current

Figure 3 shows the output current error plot in percent full-scale range. The overall worst-case error is approximately 0.35% measured over the output range between Code 256 and Code 16,128.

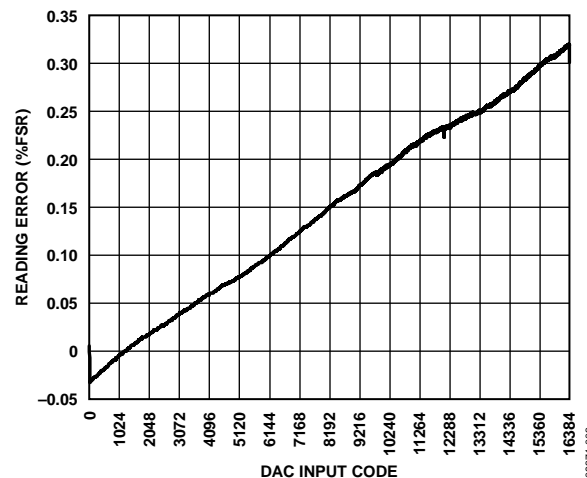


Figure 3. Output Current Error Plot

Figure 4 shows the calibrated output current error plot. Removing the gain and offset error from Figure 3, the accuracy is better than 0.05% measured over the output range between Code 256 and Code 16,128.

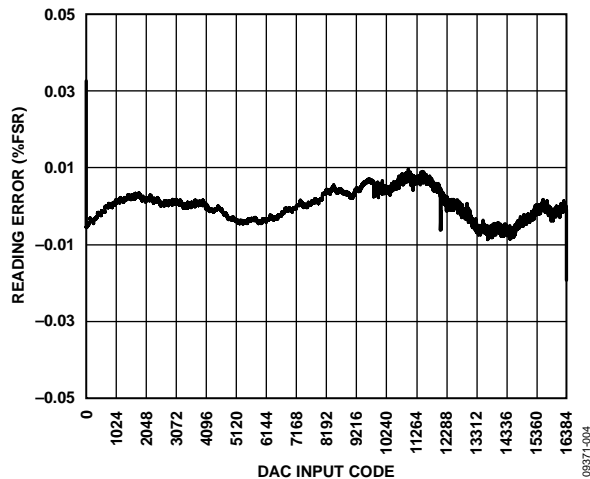


Figure 4. Calibrated Output Current Error Plot

The data in Figure 3 and Figure 4 shows larger errors at zero and full-scale because the output buffer of the [AD5641](#) DAC limits when its output is within 10 mV of either supply rail. The region between Code 0 and Code 255 as well as the region between Code 16,129 and Code 16,384 are therefore excluded from the linearity specifications. This corresponds to approximately 0 V to 80 mV and 4.92 V to 5.00 V at the DAC voltage output; and 0 mA to 0.32 mA and 19.68 mA to 20.00 mA referenced to the current output.

The test data was taken using the board shown in Figure 6. Complete documentation for the system can be found in the [CN-0179 Design Support package](#).

COMMON VARIATIONS

For a 16-bit resolution solution, consider the [AD5660](#) or [AD5662](#), respectively. The 16 V CMOS [ADA4665-2](#) op amp is another option to replace the [AD8657](#). It lower cost and has lower voltage noise at the expense of a higher supply current.

When selecting amplifiers for this application, always ensure that the input common-mode voltage range and the supply voltage are not exceeded.

CIRCUIT EVALUATION AND TEST

This circuit uses the [EVAL-CN0179-PMDZ](#) circuit board, the [EVAL-SDP-CB1Z](#) system demonstration platform (SDP) evaluation board and the [SDP-PMD-IB1Z](#), a Pmod interposer board for the [EVAL-SDP-CB1Z](#). The SDP and the [SDP-PMD-IB1Z](#) boards have 120-pin mating connectors, allowing the quick setup and evaluation of the circuit's performance. In order to evaluate the [EVAL-CN0179-PMDZ](#) board using the [SDP-PMD-IB1Z](#) and the SDP, the [EVAL-CN0179-PMDZ](#) is connected to the [SDP-PMD-IB1Z](#) by a standard 100 mil-spaced, 25 mil square, right angle 12 pin-Pmod header connector.

Information and details regarding how to use the evaluation software for data capturing and proper hardware installation can be found in the [CN0179 Software User Guide](#).

Equipment Required

- PC with a USB port and Windows® XP, Windows® Vista (32-bit), or Windows® 7 (32-bit)
- [EVAL-CN0179-PMDZ](#) circuit evaluation board
- [EVAL-SDP-CB1Z](#) SDP evaluation board
- [SDP-PMD-IB1Z](#)
- [CN0179 evaluation software](#)
- Agilent E36311A dual dc power supply or equivalent
- Agilent 3458A multimeter or equivalent
- +6 V wall wart
- A GPIB-to-USB cable adapter (only required for capturing analog data from the output and transferring it to the PC)

Information and details regarding how to use the evaluation software for data capturing and proper hardware installation can be found in the [CN0179 Software User Guide](#).

Test Setup and Measurements

The circuit was tested using the test setup in Figure 5. A photograph of the board is shown in Figure 6.

A jumper should not be connected to the J1 terminals when driving an external current loop. The jumper connects the internal 250 Ω load and should be used when making voltage measurements.

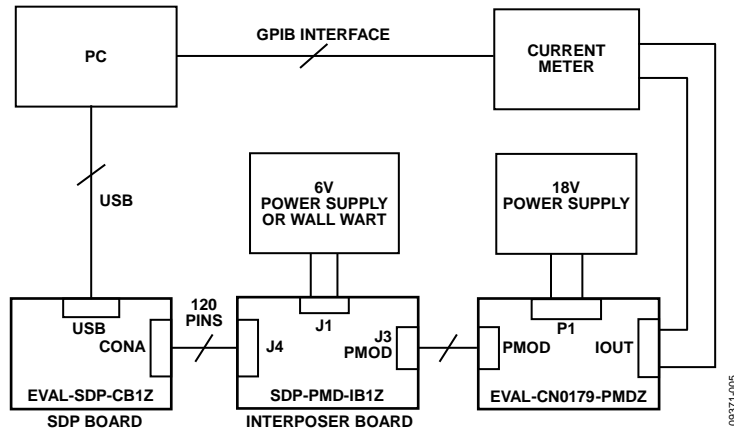


Figure 5. Functional Diagram of Test Setup

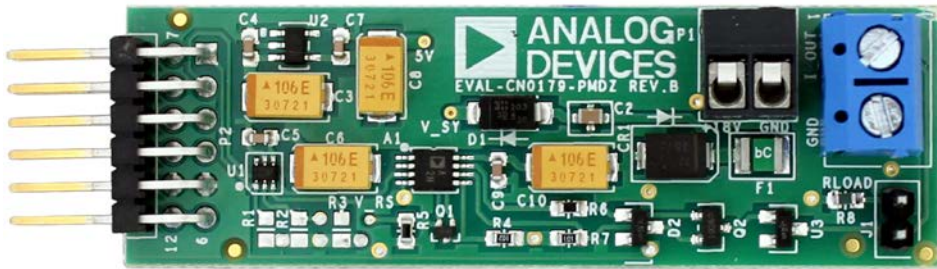


Figure 6. Photo of EVAL-CN0179-PMDZ Board

LEARN MORE

- CN0179 Design Support Package:
<http://www.analog.com/CN0179-DesignSupport>
- AN-345 Application Note, *Grounding for Low- and High-Frequency Circuits*, Analog Devices.
- AN-347 Application Note, *Shielding and Guarding: How to Exclude Interference-Type Noise*, Analog Devices.
- Colm Slattery, Derrick Hartmann, and Li Ke, "PLC Evaluation Board Simplifies Design of Industrial Process Control Systems," *Analog Dialogue* (April 2009).
- Jung, Walt. *Op Amp Applications*, Analog Devices. Also available as *Op Amp Applications Handbook*, Elsevier.
- Kester, Walt. 2005. *The Data Conversion Handbook*. Chapters 3 and 7. Analog Devices.
- MT-015 Tutorial, *Basic DAC Architectures II: Binary DACs*. Analog Devices.
- MT-031 Tutorial, *Grounding Data Converters and Solving the Mystery of "AGND" and "DGND."* Analog Devices.
- MT-035, *Op Amp Inputs, Outputs, Single-Supply, and Rail-to-Rail Issues*, Analog Devices.
- MT-101 Tutorial, *Decoupling Techniques*. Analog Devices.

Data Sheets

- AD8657 Data Sheet
- ADR02 Data Sheet
- AD5641 Data Sheet
- AD5662 Data Sheet
- AD5660 Data Sheet
- ADA4665-2 Data Sheet

REVISION HISTORY**3/14—Rev. 0 to Rev. A**

Changed AD5621 to AD5641.....	Throughout
Changed ADR125 to ADR02.....	Throughout
Changes to Figure 1	1
Changes to Circuit Description Section, Figure 2, and Figure 3	2
Changes to Common Variations Section.....	3
Added Figure 4 and Circuit Evaluation and Test Section.....	3
Added Figure 5 and Figure 6	4
Changes to Learn More Section and Data Sheets Section.....	5

11/10—Revision 0: Initial Version

(Continued from first page) Circuits from the Lab reference designs are intended only for use with Analog Devices products and are the intellectual property of Analog Devices or its licensors. While you may use the Circuits from the Lab reference designs in the design of your product, no other license is granted by implication or otherwise under any patents or other intellectual property by application or use of the Circuits from the Lab reference designs. Information furnished by Analog Devices is believed to be accurate and reliable. However, Circuits from the Lab reference designs are supplied "as is" and without warranties of any kind, express, implied, or statutory including, but not limited to, any implied warranty of merchantability, noninfringement or fitness for a particular purpose and no responsibility is assumed by Analog Devices for their use, nor for any infringements of patents or other rights of third parties that may result from their use. Analog Devices reserves the right to change any Circuits from the Lab reference designs at any time without notice but is under no obligation to do so.

Компания «Океан Электроники» предлагает заключение долгосрочных отношений при поставках импортных электронных компонентов на взаимовыгодных условиях!

Наши преимущества:

- Поставка оригинальных импортных электронных компонентов напрямую с производств Америки, Европы и Азии, а так же с крупнейших складов мира;
- Широкая линейка поставок активных и пассивных импортных электронных компонентов (более 30 млн. наименований);
- Поставка сложных, дефицитных, либо снятых с производства позиций;
- Оперативные сроки поставки под заказ (от 5 рабочих дней);
- Экспресс доставка в любую точку России;
- Помощь Конструкторского Отдела и консультации квалифицированных инженеров;
- Техническая поддержка проекта, помощь в подборе аналогов, поставка прототипов;
- Поставка электронных компонентов под контролем ВП;
- Система менеджмента качества сертифицирована по Международному стандарту ISO 9001;
- При необходимости вся продукция военного и аэрокосмического назначения проходит испытания и сертификацию в лаборатории (по согласованию с заказчиком);
- Поставка специализированных компонентов военного и аэрокосмического уровня качества (Xilinx, Altera, Analog Devices, Intersil, Interpoint, Microsemi, Actel, Aeroflex, Peregrine, VPT, Syfer, Eurofarad, Texas Instruments, MS Kennedy, Miteq, Cobham, E2V, MA-COM, Hittite, Mini-Circuits, General Dynamics и др.);

Компания «Океан Электроники» является официальным дистрибьютором и эксклюзивным представителем в России одного из крупнейших производителей разъемов военного и аэрокосмического назначения «JONHON», а так же официальным дистрибьютором и эксклюзивным представителем в России производителя высокотехнологичных и надежных решений для передачи СВЧ сигналов «FORSTAR».



JONHON

«JONHON» (основан в 1970 г.)

Разъемы специального, военного и аэрокосмического назначения:

(Применяются в военной, авиационной, аэрокосмической, морской, железнодорожной, горно- и нефтедобывающей отраслях промышленности)

«FORSTAR» (основан в 1998 г.)

ВЧ соединители, коаксиальные кабели, кабельные сборки и микроволновые компоненты:

(Применяются в телекоммуникациях гражданского и специального назначения, в средствах связи, РЛС, а так же военной, авиационной и аэрокосмической отраслях промышленности).



Телефон: 8 (812) 309-75-97 (многоканальный)

Факс: 8 (812) 320-03-32

Электронная почта: ocean@oceanchips.ru

Web: <http://oceanchips.ru/>

Адрес: 198099, г. Санкт-Петербург, ул. Калинина, д. 2, корп. 4, лит. А