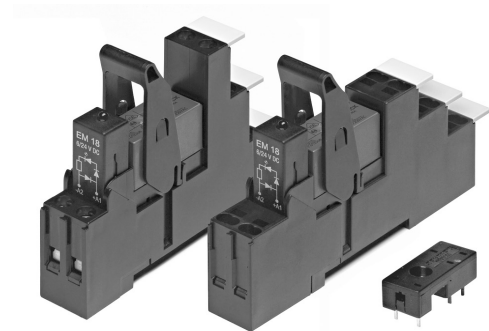


**Accessories Industrial Power Relay RT**

- For Industrial Power Relay RT  
pinnings 3.5 mm / 5 mm; relay height 15.7 mm
- New retainer clip with ejection function
- Easy replacement of relays on a densely packed DIN rail
- No reduction of protection class or creepage/clearance with plastic retainer
- Simple plug-in indicator- and protection modules
- White snap-on marking tags

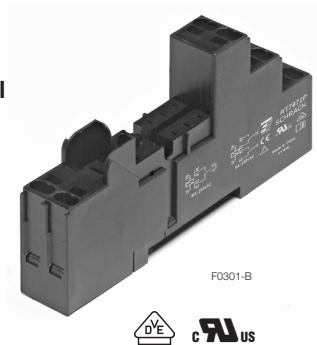


F0228-G

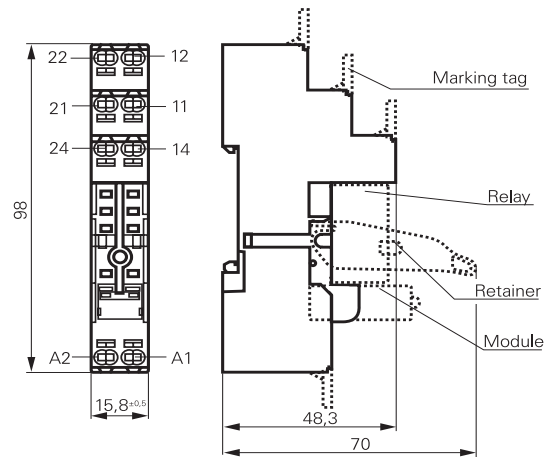
**Premium socket with screwless terminals for DIN rail mounting**

RT 78 72P Premium socket, logical terminal arrangement

- Screwless Clamps
- Mounting of solid wires without tool
- Double Clamps per terminal
- Jumper links for interconnection
- Open coil circuit for active modules
- Logical terminal arrangement



F0301-B



S0545-CA

**Approvals**

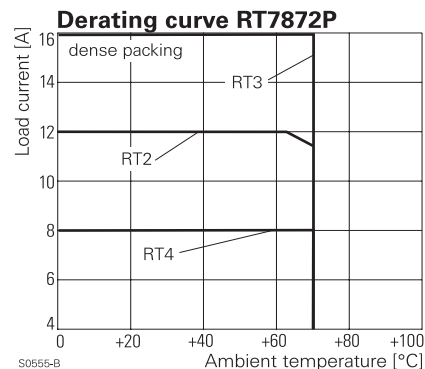
VDE Cert. No. 40007571, cULus E135149

**Technical data**

|   |                       |
|---|-----------------------|
| Rated voltage/Max. switching voltage AC | 240/400 VAC           |
| Rated current                           | 2 x 8 A, 16 A*)       |
| Dielectric strength                     |                       |
| coil-contact circuit                    | 5000 V <sub>rms</sub> |
| open contact circuit                    | 1000 V <sub>rms</sub> |
| adjacent contact circuits               | 2500 V <sub>rms</sub> |
| Clearance / creepage                    |                       |
| coil-contact circuit                    | ≥ 10/10 mm            |
| Material group of insulation parts      | IIIa                  |
| Flammability class UL 94                | V-0                   |
| Insulation to IEC 60664-1               |                       |
| Type of insulation coil-contact circuit | reinforced            |
| open contact circuit                    | functional            |
| adjacent contact circuits               | functional            |
| Rated insulation voltage                | 250 V                 |
| Pollution degree                        | 2                     |
| Rated voltage system                    | 230 / 400 V           |
| Overtoltage category                    | III                   |

\*) For 1 pole relays (16 A) the relay terminals 11-21, 12-22 and 14-24 have to be bridged.

- Not suitable for bistable relays with 2 coils!



S0555-B

**Accessories Industrial Power Relay RT (Continued)**

**Technical data (continued)**

Material compliance: EU RoHS/ELV, China RoHS, REACH, Halogen content refer to the Product Compliance Support Center at [www.te.com/customersupport/rohssupportcenter](http://www.te.com/customersupport/rohssupportcenter)

|   |  |
|---|--|
| Ambient temperature range                     |  |
| for mounting/handling                         | -20...+70°C  |
| in operation                                  | -40...+70°C  |
| Terminals                                     | screwless  |
| Wire strip length                             | 12 mm  |
| Wire cross section                            |  |
| solid wire                                    | 1x0.75/1/1.5mm <sup>2</sup><br>2x0.75/1mm <sup>2</sup> |
| with stand. isolation (no oversize isolation) | 2x1.5mm <sup>2</sup>                                   |
| stranded wire                                 |  |
| without bootlace crimp                        | 1x0.75/1/1.5mm <sup>2</sup><br>2x0.75/1mm <sup>2</sup> |
| without bootlace crimp with stand. isolation  | 2x1.5mm <sup>2</sup>                                   |
| with bootlace crimp                           | 1x0.75/1mm <sup>2</sup><br>2x0.75mm <sup>2</sup>       |
| with bootlace crimp without isolation         | 1x1.5mm <sup>2</sup>                                   |
| or min 18 mm long                             |  |

For stranded wires with braids 0.05 mm or smaller the use of bootlace crimps is recommended. When using stranded wires without bootlace crimp, the clamp must be opened during insertion.

|                            |                    |
|----------------------------|--------------------|
| Insertion cycles           | A (10)             |
| Max. Insertion Force total | 100 N              |
| Mounting distance          | ≥ 0, dense packing |
| Weight                     | 36 g               |
| Packaging unit             | 10 pcs             |

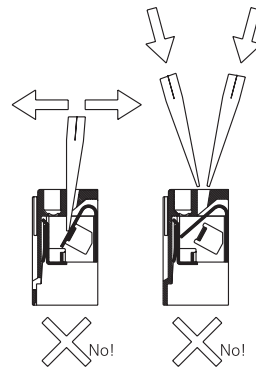
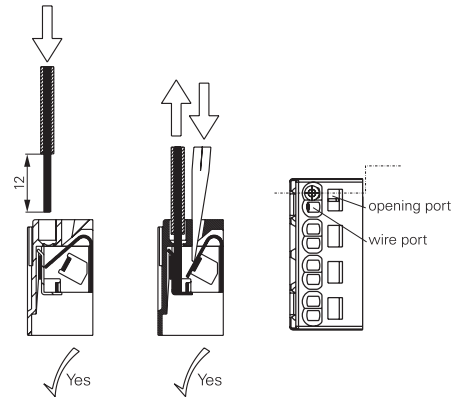
**Socket with screwless terminals for DIN rail mounting**

| Type   | Part Number |
|--|-------------|
| <b>RT 78 72P</b> Premium socket, logical terminal arrangement<br>Socket with screwless terminals, pinning 5 mm for DIN rail mounting | 1860200-1   |

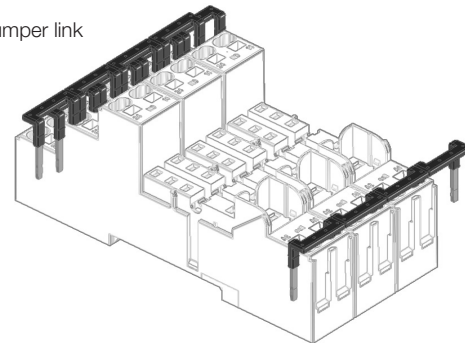
**Accessories for RT 78 72P**

| Type  | Part Number |
|---|-------------|
| <b>RT 17 017</b> Plastic retaining clip, relay height 15.7 mm | 2022103-1   |
| <b>RT 17 040</b> Marking tag                                  | 2-1415038-1 |
| <b>RT 17 0P1</b> Jumper link, max load 12 A                   | 1860211-1   |

**How to use, Precautions**



Jumper link



F0296-A

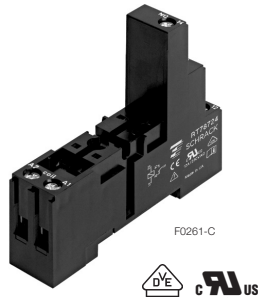
**Accessories Industrial Power Relay RT (Continued)**

**Socket with screw-type terminals for DIN rail mounting**

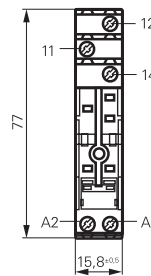
**RT 78 724** Socket with screw-type terminals, pinning 3.5 mm for DIN rail mounting

**RT 78 726** Socket with screw-type terminals, pinning 5 mm for DIN rail mounting, logical terminal arrangement

- DIN-rail socket with logical setup of connections (input/output)
- High quality rising clamp terminals
- Captive combination terminal screws
- Jumper bars for interconnection

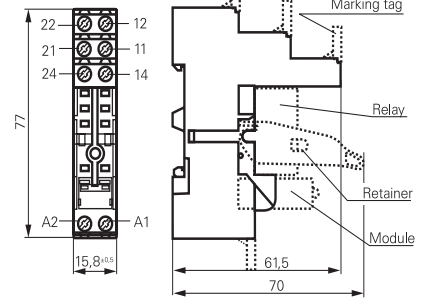


**RT 78 724**



S0416-CA

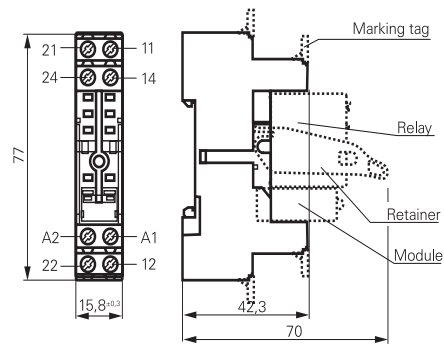
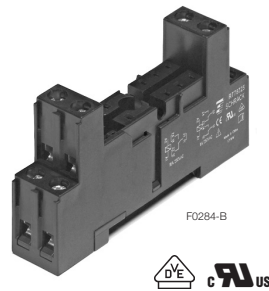
**RT 78 726**



S0416-CB

**RT 78 725** Socket with screw-type terminals, pinning 5 mm for DIN rail mounting, conventional terminal arrangement

- Conventional terminal arrangement



S0540-BT

**Approvals**

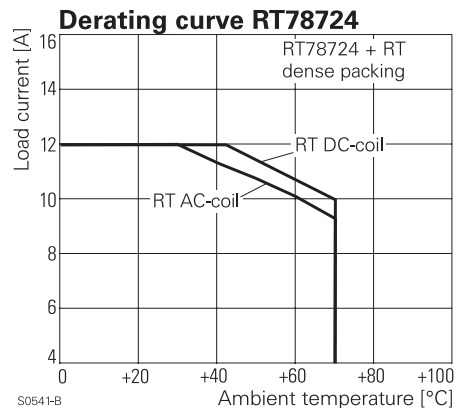
VDE Cert. No. 40007571, cULus E135149

| Technical data                          | RT78724/RT78726                    | RT78725                                       |            |
|---|------------------------------------|---|------------|
| Rated voltage/Max. switching voltage AC | 240/400 VAC                        |   |            |
| Rated current                           | 12 A, 2 x 8 A, 16 A*)              |   |            |
| Dielectric strength                     | coil-contact circuit               | 5000 V <sub>rms</sub> / 4000 V <sub>rms</sub> |            |
|   | open contact circuit               | 1000 V <sub>rms</sub> / 1000 V <sub>rms</sub> |            |
|   | adjacent contact circuits          | 2500 V <sub>rms</sub> / 2500 V <sub>rms</sub> |            |
| Clearance / creepage                    | coil-contact circuit               | ≥ 10/10 mm / ≥ 4.7/4.7 mm                     |            |
|   | Material group of insulation parts | IIIa  |            |
| Flammability class UL 94                | V-0                                |   |            |
| Insulation to IEC 60664-1               | Type of insulation                 | coil-contact circuit reinforced               | basic      |
|   |                                    | open contact circuit                          | functional |
|   |                                    | adjacent contact circuits                     | functional |
|   | Rated insulation voltage           | 250 V   |            |
| Pollution degree                        | 2                                  |   |            |
| Rated voltage system                    | 230 / 400 V                        |   |            |
| Overvoltage category                    | III                                |   |            |

Material compliance: EU RoHS/ELV, China RoHS, REACH, Halogen content refer to the Product Compliance Support Center at [www.te.com/customer-support/rohssupportcenter](http://www.te.com/customer-support/rohssupportcenter)

\*) For 1 pole relays (16 A) the relay terminals 11-21, 12-22 and 14-24 have to be bridged.  
For 1 pole relays (12 A) the relay terminals 11-12-14 have to be connected to the socket terminals 21-12-14.

- Not suitable for bistable relays with 2 coils!



S0541-B

**Accessories Industrial Power Relay RT (Continued)**

**Technical data (continued) RT78724/RT78726 RT78725**

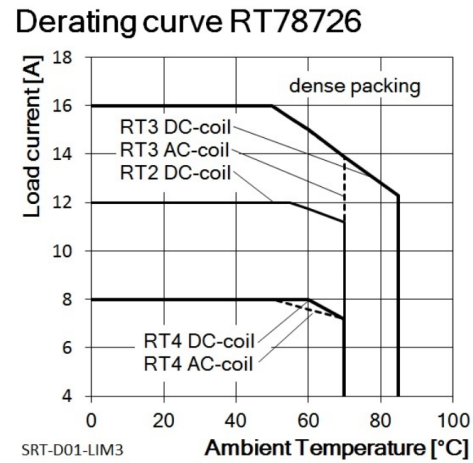
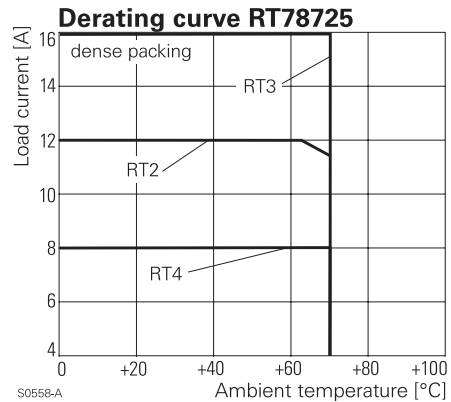
|   |                         |
|---|-------------------------|
| Ambient temperature range for mounting/handling | -20...+70°C             |
| in operation                                    | -40...+70°C             |
| Terminals                                       | screw                   |
| Terminals screw torque acc. IEC 61984           | 0.5 Nm                  |
| max.  | 0.7 Nm                  |
| Terminal Screw size                             | M3                      |
| Wire strip length                               | 8 mm                    |
| Wire cross section                              |                         |
| single wire                                     | 2 x 2.5 mm <sup>2</sup> |
| fine wire                                       | 2 x 2.5 mm <sup>2</sup> |
| with bootlace crimp (DIN 46228/1)               | 2 x 1.5 mm <sup>2</sup> |
| Insertion cycles                                | A (10)                  |
| Max. Insertion Force total                      | 100 N                   |
| Mounting distance                               | ≥ 0, dense packing      |
| Weight  | 36 g                    |
| Packaging unit                                  | 10 pcs                  |

**Socket with screw-type terminals for DIN rail mounting**

| Type             |   | Part Number |
|------------------|---|-------------|
| <b>RT 78 724</b> | Socket with screw-type terminals, pinning 3.5 mm for DIN rail mounting, logical terminal arrangement    | 8-1415035-1 |
| <b>RT 78 726</b> | Socket with screw-type terminals, pinning 5 mm for DIN rail mounting, logical terminal arrangement      | 6-1415035-1 |
| <b>RT 78 725</b> | Socket with screw-type terminals, pinning 5 mm for DIN rail mounting, conventional terminal arrangement | 1860306-1   |

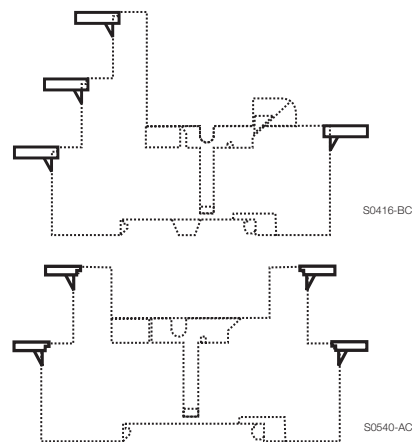
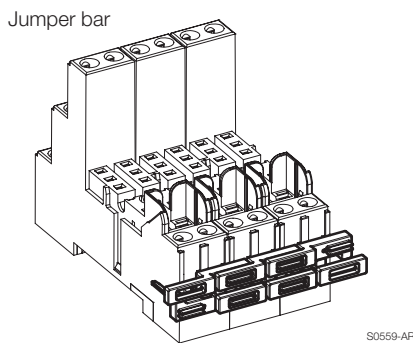
**Accessories for RT 78 724, RT 78 725, RT 78 726**

| Type             |  | Part Number |
|------------------|--|-------------|
| <b>RT 17 017</b> | Plastic retaining clip, relay height 15.7 mm                   | 2022103-1   |
| <b>RT 28 816</b> | Metal retaining clip, relay height 15.7 mm                     | 1415540-8   |
| <b>RT 17 040</b> | Marking tag  | 2-1415038-1 |
| <b>RT 17 0R8</b> | Jumper bar, max load 12 A for connection of up to 8 RT sockets | 1860517-8   |



**Marking tags**

- White marking area 15.5 x 6 mm
- Snaps on socket in up to 4 positions

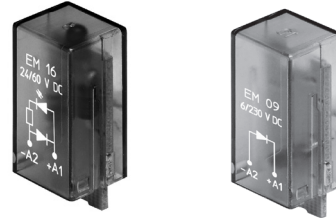


**Accessories Industrial Power Relay RT** (Continued)

**LED- and Protection Modules for RT 78 72P, RT 78 724, RT 78 725, RT 78 726**

Easy insertion of module into the socket  
Wiring in parallel to the coil

| Type              |      |  | Part Number |
|-------------------|------|--|-------------|
| <b>PTM TO 0A0</b> | EM09 | Protection diode (standard, A1+,A2-)           | 9-1415036-1 |
| <b>PTM TO 0L0</b> | EM01 | Protection diode (A1-, A2+)                    | 1415037-1   |
| <b>PTM UO 524</b> | EM02 | RC-network 6...60 VAC                          | 1-1415037-1 |
| <b>PTM UO 730</b> | EM03 | RC-network 110...230 VAC                       | 2-1415037-1 |
| <b>PTM VO 524</b> | EM04 | Varistor 24 VAC                                | 3-1415037-1 |
| <b>PTM VO 615</b> | EM13 | Varistor 115 VAC                               | 6-1415365-1 |
| <b>PTM VO 730</b> | EM05 | Varistor 230 VAC                               | 4-1415037-1 |
| <b>PTM DO 730</b> | EM31 | Residual current bypass RC 110...230 VAC       | 1415037-2   |
| <b>PTM RO 730</b> | EM29 | Residual current bypass resistor 110...230 VAC | 1-1415539-2 |



**LED**

|                   |      |  |             |
|-------------------|------|--|-------------|
| <b>PTM LO 024</b> | EM18 | red LED 6...24 VDC w. prot. diode (std, A1+, A2-)    | 5-1415036-1 |
| <b>PTM GO 024</b> | EM12 | green LED 6...24 VDC w. prot. diode (std, A1+, A2-)  | 2-1415036-1 |
| <b>PTM L1 024</b> | EM08 | red LED 6...24 VDC w. prot. diode (A1-, A2+)         | 8-1415036-1 |
| <b>PTM LO 060</b> | EM16 | red LED 24...60 VDC w. prot. diode (std, A1+, A2-)   | 5-1415539-3 |
| <b>PTM GO 060</b> | EM25 | green LED 24...60 VDC w. prot. diode (std, A1+, A2-) | 7-1415539-7 |
| <b>PTM LO 110</b> | EM19 | red LED 60...110 VDC w. prot. diode (A1+, A2-)       | 2-1415392-1 |
| <b>PTM GO 110</b> | EM26 | green LED 60...110 VDC w. prot. diode (A1+, A2-)     | 1-1415539-7 |
| <b>PTM LO 220</b> | EM27 | red LED 110...220 VDC w. prot. diode (A1+, A2-)      | 1-1415539-4 |
| <b>PTM GO 220</b> | EM28 | green LED 110...220 VDC w. prot. diode (A1+, A2-)    | 1-1415539-6 |
| <b>PTM LO 524</b> | EM07 | red LED 6...24 VDC/VAC                               | 6-1415036-1 |
| <b>PTM GO 524</b> | EM11 | green LED 6...24 VDC/VAC                             | 3-1415036-1 |
| <b>PTM LO 560</b> | EM14 | red LED 24...60 VDC/VAC                              | 1-1415539-3 |
| <b>PTM GO 560</b> | EM30 | green LED 24...60 VDC/VAC                            | 1-1415539-5 |
| <b>PTM LO 730</b> | EM06 | red LED 110...230 VAC                                | 7-1415036-1 |
| <b>PTM GO 730</b> | EM10 | green LED 110...230 VAC                              | 4-1415036-1 |

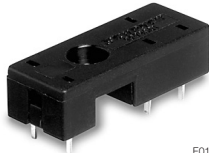
**Relay Packages**

Complete packages consisting of a relay mounted on a socket: see Relay Package RT

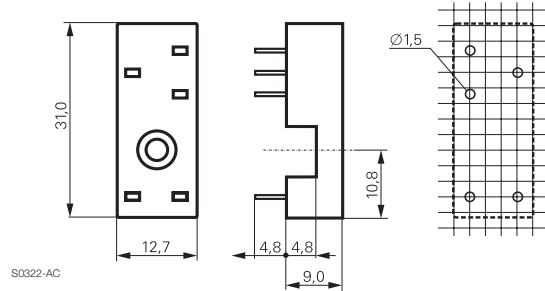
**Accessories Industrial Power Relay RT (Continued)**

**Sockets for PCB mount**

**RP 78 601**, Socket with PCB terminals, pinning 3.5 mm

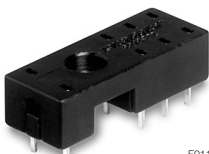


F0116-A

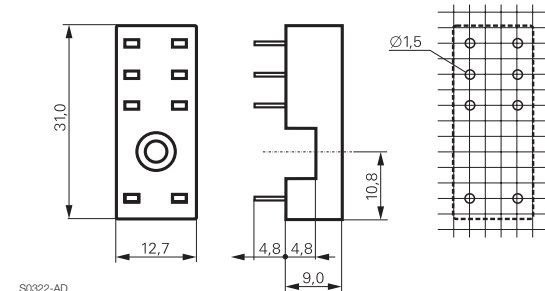


S0322-AC

**RP 78 602**, Socket with PCB terminals, pinning 5 mm



F0117-A



S0322-AD

**Approvals**

cULus E135149

**Technical data RP 78 601/RP 78 602**

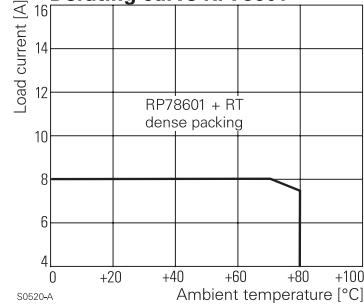
|   |                       |
|---|-----------------------|
| Rated voltage/max. switching voltage AC | 240/400 VAC           |
| Rated current                           | 12 A*)                |
| Limiting continuous current             | see derating curve    |
| Dielectric strength                     |                       |
| coil-contact circuit                    | 4000 V <sub>rms</sub> |
| open contact circuit                    | 1000 V <sub>rms</sub> |
| adjacent contact circuits               | 2500 V <sub>rms</sub> |
| Clearance / creepage                    |                       |
| coil-contact circuit                    | ≥ 10/10 mm            |
| Material group of insulation parts      |                       |
| Insulation to IEC 60664-1               |                       |
| Type of insulation                      |                       |
| coil-contact circuit                    | reinforced            |
| open contact circuit                    | functional            |
| adjacent contact circuits               | functional            |
| Rated insulation voltage                | 250 V                 |
| Pollution degree                        | 2                     |
| Rated voltage system                    | 230 / 400 V           |
| Overvoltage category                    | III                   |

Material compliance: EU RoHS/ELV, China RoHS, REACH, Halogen content refer to the Product Compliance Support Center at [www.te.com/customersupport/rohssupportcenter](http://www.te.com/customersupport/rohssupportcenter)

|                              |                    |
|------------------------------|--------------------|
| Ambient temperature range    | -40...+80°C        |
| Terminals                    | pcb                |
| Insertion cycles             | A (10)             |
| Max. Insertion Force total   | 100 N              |
| Mounting distance            | ≥ 0, dense packing |
| Resistance to soldering heat | 270°C / 10 s       |
| Weight                       | 3 g                |
| Packaging unit               | 100 pcs            |

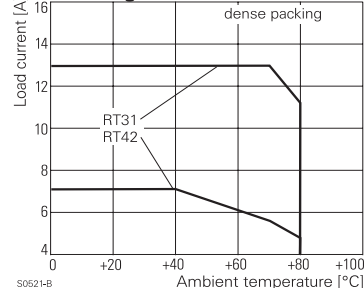
\*) For 1 pole relays (16 A) the relay terminals 11-21, 12-22 and 14-24 have to be bridged on the PCB.

**Derating curve RP78601**



S0520-A

**Derating curve RP78602**



S0521-B

**Sockets with PCB terminals**

| Type             |   | Part Number |
|------------------|---|-------------|
| <b>RP 78 601</b> | Socket with PCB terminals, pinning 3.5 mm | 8-1393234-4 |
| <b>RP 78 602</b> | Socket with PCB terminals, pinning 5 mm   | 8-1393234-5 |

**Accessories for RP 78 601, RP 78 602**

| Type             |   | Part Number |
|------------------|---|-------------|
| <b>RT 16 041</b> | Plastic retaining clip RT, relay height 15.7 mm | 3-1393161-4 |
| <b>RT 28 516</b> | Metal retaining clip RT, relay height 15.7 mm   | 1419108-7   |

Компания «Океан Электроники» предлагает заключение долгосрочных отношений при поставках импортных электронных компонентов на взаимовыгодных условиях!

Наши преимущества:

- Поставка оригинальных импортных электронных компонентов напрямую с производств Америки, Европы и Азии, а так же с крупнейших складов мира;
- Широкая линейка поставок активных и пассивных импортных электронных компонентов (более 30 млн. наименований);
- Поставка сложных, дефицитных, либо снятых с производства позиций;
- Оперативные сроки поставки под заказ (от 5 рабочих дней);
- Экспресс доставка в любую точку России;
- Помощь Конструкторского Отдела и консультации квалифицированных инженеров;
- Техническая поддержка проекта, помощь в подборе аналогов, поставка прототипов;
- Поставка электронных компонентов под контролем ВП;
- Система менеджмента качества сертифицирована по Международному стандарту ISO 9001;
- При необходимости вся продукция военного и аэрокосмического назначения проходит испытания и сертификацию в лаборатории (по согласованию с заказчиком);
- Поставка специализированных компонентов военного и аэрокосмического уровня качества (Xilinx, Altera, Analog Devices, Intersil, Interpoint, Microsemi, Actel, Aeroflex, Peregrine, VPT, Syfer, Eurofarad, Texas Instruments, MS Kennedy, Miteq, Cobham, E2V, MA-COM, Hittite, Mini-Circuits, General Dynamics и др.);

Компания «Океан Электроники» является официальным дистрибьютором и эксклюзивным представителем в России одного из крупнейших производителей разъемов военного и аэрокосмического назначения «JONHON», а так же официальным дистрибьютором и эксклюзивным представителем в России производителя высокотехнологичных и надежных решений для передачи СВЧ сигналов «FORSTAR».



## JONHON

«JONHON» (основан в 1970 г.)

Разъемы специального, военного и аэрокосмического назначения:

(Применяются в военной, авиационной, аэрокосмической, морской, железнодорожной, горно- и нефтедобывающей отраслях промышленности)

«FORSTAR» (основан в 1998 г.)

ВЧ соединители, коаксиальные кабели, кабельные сборки и микроволновые компоненты:

(Применяются в телекоммуникациях гражданского и специального назначения, в средствах связи, РЛС, а так же военной, авиационной и аэрокосмической отраслях промышленности).



Телефон: 8 (812) 309-75-97 (многоканальный)

Факс: 8 (812) 320-03-32

Электронная почта: [ocean@oceanchips.ru](mailto:ocean@oceanchips.ru)

Web: <http://oceanchips.ru/>

Адрес: 198099, г. Санкт-Петербург, ул. Калинина, д. 2, корп. 4, лит. А