

FIXED PRINTED CIRCUIT

US Pin Spacing^a

Tubular Screw Clamp

For wire-to-board connections in lighter duty applications with strict budgets and where infrequent wire terminations are expected.

The AK(Z)110 is available in Top Wire Entry. Please contact Altech for information.

- Multipole, Modular Design
- Wire Protector Standard
- Housing Material: Polyamide 6.6
- Standard Color: Gray



AKZ500 Front Wire Entry

AK(Z)505 Top Wire Entry

^aBlocks with metric pin spacing begin on page 132.

Pin Spacing 5.08mm (.200)
Stripping Length 6mm (.236)
Screw Hole Diameter 3mm (.118)

Pin Spacing 5mm (.197)^b
Stripping Length 5mm (.197)
Screw Hole Diameter 3mm (.118)

| Ratings | | Wire Range | Current | Voltage | Wire Range | Current | Voltage |
|------------------------|--|------------------------|---------|---------|------------------------|---------|---------|
| IEC/VDE | | 0.5-1.5mm ² | 16A | 250V | 0.5-1.5mm ² | 16A | 250V |
| UL (File No. E101811) | | 22-14 AWG | 15A | 300V | 22-14 AWG | 15A | 300V |
| CSA (File No. LR68503) | | 22-14 AWG | 15A | 300V | 22-14 AWG | 15A | 300V |

| Ordering Information | No. of Poles | Type | Cat. No. | Length L mm (in.) | Std. Pk. | Type | Cat. No. | Length L mm (in.) | Std. Pk. |
|---------------------------------------|--------------|-------------|----------|-------------------|----------|--------------|----------|-------------------|----------|
| Terminal Block, US (Inch) Pin Spacing | 2 | AKZ500/2wp | 34.102 | 10.16 (.40) | 100 | AK(Z)505/2wp | 30.752 | 10.00 (.39) | 100 |
| | 3 | AKZ500/3wp | 34.103 | 15.24 (.60) | 100 | AK(Z)505/3wp | 30.753 | 15.00 (.59) | 100 |
| | 4 | AKZ500/4wp | 34.104 | 20.32 (.80) | 50 | AK(Z)505/4wp | 30.754 | 20.00 (.79) | 50 |
| | 5 | AKZ500/5wp | 34.105 | 25.40 (1.00) | 50 | AK(Z)505/5wp | 30.755 | 25.00 (.99) | 50 |
| | 6 | AKZ500/6wp | 34.106 | 30.48 (1.20) | 50 | AK(Z)505/6wp | 30.756 | 30.00 (1.18) | 50 |
| | 7 | AKZ500/7wp | 34.107 | 35.56 (1.40) | 30 | | | | |
| | 8 | AKZ500/8wp | 34.108 | 40.64 (1.60) | 30 | | | | |
| | 9 | AKZ500/9wp | 34.109 | 45.72 (1.80) | 30 | | | | |
| | 10 | AKZ500/10wp | 34.110 | 50.80 (2.00) | 30 | | | | |
| | 11 | AKZ500/11wp | 34.111 | 55.88 (2.20) | 20 | | | | |
| | 12 | AKZ500/12wp | 34.112 | 60.98 (2.40) | 20 | | | | |
| | 13 | AKZ500/13wp | 34.113 | 66.04 (2.60) | 20 | | | | |
| | 14 | AKZ500/14wp | 34.114 | 71.14 (2.80) | 20 | | | | |
| | 15 | AKZ500/15wp | 34.115 | 76.20 (3.00) | 20 | | | | |
| | 16 | AKZ500/16wp | 34.116 | 81.28 (3.20) | 15 | | | | |
| | 17 | AKZ500/17wp | 34.117 | 86.36 (3.40) | 15 | | | | |
| | 18 | AKZ500/18wp | 34.118 | 91.44 (3.60) | 15 | | | | |
| | 19 | AKZ500/19wp | 34.119 | 96.52 (3.80) | 15 | | | | |
| | 20 | AKZ500/20wp | 34.120 | 101.60 (4.00) | 15 | | | | |
| | 21 | AKZ500/21wp | 34.121 | 106.68 (4.20) | 10 | | | | |
| | 22 | AKZ500/22wp | 34.122 | 111.76 (4.40) | 10 | | | | |
| | 23 | AKZ500/23wp | 34.123 | 116.84 (4.60) | 10 | | | | |
| | 24 | AKZ500/24wp | 34.124 | 121.92 (4.80) | 10 | | | | |

| Dimensions | | | |
|------------|-------|-------|-------|
| mm | in. | mm | in. |
| 0.60 | 0.024 | 3.70 | 0.146 |
| 0.70 | 0.028 | 3.90 | 0.154 |
| 0.90 | 0.035 | 4.00 | 0.157 |
| 1.00 | 0.039 | 4.50 | 0.177 |
| 1.10 | 0.043 | 5.08 | 0.200 |
| 2.00 | 0.079 | 7.50 | 0.295 |
| 2.60 | 0.102 | 9.00 | 0.354 |
| 2.70 | 0.106 | 10.00 | 0.394 |
| 3.10 | 0.122 | 12.50 | 0.492 |
| 3.40 | 0.134 | 13.00 | 0.512 |
| 3.50 | 0.138 | | |



^bAppropriate for use in US (inch) pin spacings up to the number of poles shown.



AKZ120 Front Wire Entry

Pin Spacing 5.08mm (.200)
Stripping Length 7mm (.276)
Screw Hole Diameter 3.5mm (.138)

| Wire Range | Current | Voltage |
|------------------------|---------|---------|
| 0.5-2.5mm ² | 16A | 250V |
| 22-14 AWG | 15A | 300V |
| 22-14 AWG | 15A | 300V |

| Type | Cat. No. | Length L mm (in.) | Std. Pk. |
|-------------|----------|----------------------|----------|
| AKZ120/2wp | 30.202 | 10.16 (.40) | 100 |
| AKZ120/3wp | 30.203 | 15.24 (.60) | 100 |
| AKZ120/4wp | 30.204 | 20.32 (.80) | 50 |
| AKZ120/5wp | 30.205 | 25.40 (1.00) | 50 |
| AKZ120/6wp | 30.206 | 30.48 (1.20) | 50 |
| AKZ120/7wp | 30.207 | 35.56 (1.40) | 30 |
| AKZ120/8wp | 30.208 | 40.64 (1.60) | 30 |
| AKZ120/9wp | 30.209 | 45.72 (1.80) | 30 |
| AKZ120/10wp | 30.210 | 50.80 (2.00) | 30 |
| AKZ120/11wp | 30.211 | 55.88 (2.20) | 20 |
| AKZ120/12wp | 30.212 | 60.98 (2.40) | 20 |
| AKZ120/13wp | 30.213 | 66.04 (2.60) | 20 |
| AKZ120/14wp | 30.214 | 71.14 (2.80) | 20 |
| AKZ120/15wp | 30.215 | 76.20 (3.00) | 20 |
| AKZ120/16wp | 30.216 | 81.28 (3.20) | 15 |
| AKZ120/17wp | 30.217 | 86.36 (3.40) | 15 |
| AKZ120/18wp | 30.218 | 91.44 (3.60) | 15 |
| AKZ120/19wp | 30.219 | 96.52 (3.80) | 15 |
| AKZ120/20wp | 30.220 | 101.60 (4.00) | 15 |
| AKZ120/21wp | 30.221 | 106.68 (4.20) | 10 |
| AKZ120/22wp | 30.222 | 111.76 (4.40) | 10 |
| AKZ120/23wp | 30.223 | 116.84 (4.60) | 10 |
| AKZ120/24wp | 30.224 | 121.92 (4.80) | 10 |



AKZ125 Top Wire Entry

Pin Spacing 5.08mm (.200)
Stripping Length 6mm (.236)
Screw Hole Diameter 3.5mm (.138)

| Wire Range | Current | Voltage |
|------------------------|---------|---------|
| 0.5-2.5mm ² | 16A | 250V |
| 22-14 AWG | 15A | 300V |
| 22-14 AWG | 15A | 300V |

| Type | Cat. No. | Length L mm (in.) | Std. Pk. |
|-------------|----------|----------------------|----------|
| AKZ125/2wp | 30.252 | 10.16 (.40) | 100 |
| AKZ125/3wp | 30.253 | 15.24 (.60) | 100 |
| AKZ125/4wp | 30.254 | 20.32 (.80) | 50 |
| AKZ125/5wp | 30.255 | 25.40 (1.00) | 50 |
| AKZ125/6wp | 30.256 | 30.48 (1.20) | 50 |
| AKZ125/7wp | 30.257 | 35.56 (1.40) | 30 |
| AKZ125/8wp | 30.258 | 40.64 (1.60) | 30 |
| AKZ125/9wp | 30.259 | 45.72 (1.80) | 30 |
| AKZ125/10wp | 30.260 | 50.80 (2.00) | 30 |
| AKZ125/11wp | 30.261 | 55.88 (2.20) | 20 |
| AKZ125/12wp | 30.262 | 60.98 (2.40) | 20 |
| AKZ125/13wp | 30.263 | 66.04 (2.60) | 20 |
| AKZ125/14wp | 30.264 | 71.14 (2.80) | 20 |
| AKZ125/15wp | 30.265 | 76.20 (3.00) | 20 |
| AKZ125/16wp | 30.266 | 81.28 (3.20) | 15 |
| AKZ125/17wp | 30.267 | 86.36 (3.40) | 15 |
| AKZ125/18wp | 30.268 | 91.44 (3.60) | 15 |
| AKZ125/19wp | 30.269 | 96.52 (3.80) | 15 |
| AKZ125/20wp | 30.270 | 101.60 (4.00) | 15 |
| AKZ125/21wp | 30.271 | 106.68 (4.20) | 10 |
| AKZ125/22wp | 30.272 | 111.76 (4.40) | 10 |
| AKZ125/23wp | 30.273 | 116.84 (4.60) | 10 |
| AKZ125/24wp | 30.274 | 121.92 (4.80) | 10 |



AK(Z)110 Front Wire Entry

Pin Spacing 7.5mm (.295)[°]
Stripping Length 6mm (.236)
Screw Hole Diameter 3.5mm (.138)

| Wire Range | Current | Voltage |
|------------------------|---------|---------|
| 0.5-2.5mm ² | 16A | 500V |
| 22-14 AWG | 15A | 300V |
| 22-14 AWG | 15A | 300V |

| Type | Cat. No. | Length L mm (in.) | Std. Pk. |
|--------------|----------|----------------------|----------|
| AK(Z)110/2wp | 30.102 | 15.00 (.59) | 100 |
| AK(Z)110/3wp | 30.103 | 22.50 (.89) | 100 |
| AK(Z)110/4wp | 30.104 | 30.00 (1.18) | 50 |
| AK(Z)110/5wp | 30.105 | 37.50 (1.48) | 50 |



[°]Appropriate for use in US (inch) pin spacings up to the number of poles shown providing minimum PC Board Hole Size is 1.5mm(.059 in.)

FIXED PRINTED CIRCUIT US Pin Spacing^a Screw-Cage Clamp

For wire-to-board connections in industrial applications and where frequent wire terminations occur.

- Multipole, Modular Design
- Housing Material: Polyamide 6.6
- Standard Color: AKZ300 is Gray, all others are green

NEW



AKZ300 45° Wire Entry

Pin Spacing 5.08mm (.200)
Stripping Length 7mm (.276)
Screw Hole Diameter 3.5mm (.138)

Minimum clearance, small footprint conserves valuable PCB real estate



AKZ250 Front Wire Entry

Pin Spacing 5.08mm (.200)
Stripping Length 7mm (.276)
Screw Hole Diameter 3.5mm (.138)

^aBlocks with metric pin spacing begin on page 132.

| Ratings | | Wire Range | Current | Voltage | Wire Range | Current | Voltage |
|-----------------------|------------------------|------------|---------|------------------------|------------|---------|---------|
| IEC/VDE | 0.5-2.5mm ² | 16A | 250V | 0.5-1.5mm ² | 16A | 250V | |
| UL (File No. E101811) | 22-12 AWG | 15A | 300V | 28-14 AWG | 15A | 300V | |
| CS (File No. LR68503) | 22-12 AWG | 15A | 300V | 28-14 AWG | 10A | 300V | |

| Ordering Information | | Poles | Type | Cat. No. | Length L mm (in.) | Std. Pk. | Type | Cat. No. | Length L mm (in.) | Std. Pk. |
|---------------------------------------|----|-----------|---------------|---------------|----------------------|-----------|---------------|---------------|----------------------|----------|
| Terminal Block, US (Inch) Pin Spacing | 2 | AKZ300/2 | 30.652 | 10.16 (.40) | 100 | AKZ250/2 | 32.402 | 10.16 (.40) | 100 | |
| | 3 | AKZ300/3 | 30.653 | 15.24 (.60) | 100 | AKZ250/3 | 32.403 | 15.24 (.60) | 100 | |
| | 4 | AKZ300/4 | 30.654 | 20.32 (.80) | 50 | AKZ250/4 | 32.404 | 20.32 (.80) | 50 | |
| | 5 | AKZ300/5 | 30.655 | 25.40 (1.00) | 50 | AKZ250/5 | 32.405 | 25.40 (1.00) | 50 | |
| | 6 | AKZ300/6 | 30.656 | 30.48 (1.20) | 50 | AKZ250/6 | 32.406 | 30.48 (1.20) | 50 | |
| | 7 | AKZ300/7 | 30.657 | 36.56 (1.40) | 30 | AKZ250/7 | 32.407 | 35.56 (1.40) | 30 | |
| | 8 | AKZ300/8 | 30.658 | 40.64 (1.60) | 30 | AKZ250/8 | 32.408 | 40.64 (1.60) | 30 | |
| | 9 | AKZ300/9 | 30.659 | 45.72 (1.80) | 30 | AKZ250/9 | 32.409 | 45.72 (1.80) | 30 | |
| | 10 | AKZ300/10 | 30.660 | 50.80 (2.00) | 30 | AKZ250/10 | 32.410 | 50.80 (2.00) | 30 | |
| | 11 | AKZ300/11 | 30.661 | 55.88 (2.20) | 20 | AKZ250/11 | 32.411 | 55.88 (2.20) | 20 | |
| | 12 | AKZ300/12 | 30.662 | 60.96 (2.40) | 20 | AKZ250/12 | 32.412 | 60.96 (2.40) | 20 | |
| | 13 | AKZ300/13 | 30.663 | 66.04 (2.60) | 20 | AKZ250/13 | 32.413 | 66.04 (2.60) | 20 | |
| | 14 | AKZ300/14 | 30.664 | 71.12 (2.80) | 20 | AKZ250/14 | 32.414 | 71.12 (2.80) | 20 | |
| | 15 | AKZ300/15 | 30.665 | 76.20 (3.00) | 20 | AKZ250/15 | 32.415 | 76.20 (3.00) | 20 | |
| | 16 | AKZ300/16 | 30.666 | 81.28 (3.20) | 15 | AKZ250/16 | 32.416 | 81.28 (3.20) | 15 | |
| | 17 | AKZ300/17 | 30.667 | 86.36 (3.40) | 15 | AKZ250/17 | 32.417 | 86.36 (3.40) | 15 | |
| | 18 | AKZ300/18 | 30.668 | 91.44 (3.60) | 15 | AKZ250/18 | 32.418 | 91.44 (3.60) | 15 | |
| | 19 | AKZ300/19 | 30.669 | 96.52 (3.80) | 15 | AKZ250/19 | 32.419 | 96.52 (3.80) | 15 | |
| | 20 | AKZ300/20 | 30.670 | 101.60 (4.00) | 15 | AKZ250/20 | 32.420 | 101.60 (4.00) | 15 | |
| | 21 | AKZ300/21 | 30.671 | 106.68 (4.20) | 10 | AKZ250/21 | 32.421 | 106.68 (4.20) | 10 | |
| | 22 | AKZ300/22 | 30.672 | 111.76 (4.40) | 10 | AKZ250/22 | 32.422 | 111.76 (4.40) | 10 | |
| | 23 | AKZ300/23 | 30.673 | 116.84 (4.60) | 10 | AKZ250/23 | 32.423 | 116.84 (4.60) | 10 | |
| | 24 | AKZ300/24 | 30.674 | 121.92 (4.80) | 10 | AKZ250/24 | 32.424 | 121.92 (4.80) | 10 | |

| Dimensions | | | |
|------------|-------|-------|-------|
| mm | in. | mm | in. |
| 0.50 | 0.020 | 4.50 | 0.177 |
| 0.60 | 0.024 | 5.00 | 0.197 |
| 0.80 | 0.031 | 5.08 | 0.200 |
| 0.90 | 0.035 | 6.50 | 0.256 |
| 1.00 | 0.039 | 8.10 | 0.319 |
| 1.80 | 0.071 | 9.00 | 0.354 |
| 2.50 | 0.098 | 10.00 | 0.394 |
| 2.70 | 0.106 | 10.50 | 0.413 |
| 3.00 | 0.118 | 12.50 | 0.492 |
| 3.50 | 0.138 | 13.50 | 0.531 |
| 4.00 | 0.157 | 15.24 | 0.600 |
| 4.40 | 0.173 | 19.00 | 0.748 |





AKZ350 Front Wire Entry

Pin Spacing 5.08mm (.200)
Stripping Length 6mm (.236)
Screw Hole Diameter 3.5mm (.138)

| Wire Range | Current | Voltage |
|------------------------|---------|---------|
| 0.5-2.5mm ² | 16A | 250V |
| 22-12 AWG | 16A | 300V |
| 28-14 AWG | 16A | 300V |

| Type | Cat. No. | Length L mm (in.) | Std. Pk. |
|-----------|----------|----------------------|----------|
| AKZ350/2 | 32.052 | 10.16 (.40) | 100 |
| AKZ350/3 | 32.053 | 15.24 (.60) | 100 |
| AKZ350/4 | 32.054 | 20.32 (.80) | 50 |
| AKZ350/5 | 32.055 | 25.40 (1.00) | 50 |
| AKZ350/6 | 32.056 | 30.48 (1.20) | 50 |
| AKZ350/7 | 32.057 | 35.56 (1.40) | 30 |
| AKZ350/8 | 32.058 | 40.64 (1.60) | 30 |
| AKZ350/9 | 32.059 | 45.72 (1.80) | 30 |
| AKZ350/10 | 32.060 | 50.80 (2.00) | 30 |
| AKZ350/11 | 32.061 | 55.88 (2.20) | 20 |
| AKZ350/12 | 32.062 | 60.96 (2.40) | 20 |
| AKZ350/13 | 32.063 | 66.04 (2.60) | 20 |
| AKZ350/14 | 32.064 | 71.12 (2.80) | 20 |
| AKZ350/15 | 32.065 | 76.20 (3.00) | 20 |
| AKZ350/16 | 32.066 | 81.28 (3.20) | 15 |
| AKZ350/17 | 32.067 | 86.36 (3.40) | 15 |
| AKZ350/18 | 32.068 | 91.44 (3.60) | 15 |
| AKZ350/19 | 32.069 | 96.52 (3.80) | 15 |
| AKZ350/20 | 32.070 | 101.60 (4.00) | 15 |
| AKZ350/21 | 32.071 | 106.68 (4.20) | 10 |
| AKZ350/22 | 32.072 | 111.76 (4.40) | 10 |
| AKZ350/23 | 32.073 | 116.84 (4.60) | 10 |
| AKZ350/24 | 32.074 | 121.92 (4.80) | 10 |



AKZ351 Front Wire Entry

Pin Spacing 5.08mm (.200)
Stripping Length 6mm (.236)
Screw Hole Diameter 3.5mm (.138)

| Wire Range | Current | Voltage |
|------------------------|---------|---------|
| 0.5-2.5mm ² | 16A | 250V |
| 22-12 AWG | 16A | 300V |
| 28-14 AWG | 16A | 300V |

| Type | Cat. No. | Length L mm (in.) | Std. Pk. |
|-----------|----------|----------------------|----------|
| AKZ351/2 | 33.052 | 10.16 (.40) | 100 |
| AKZ351/3 | 33.053 | 15.24 (.60) | 100 |
| AKZ351/4 | 33.054 | 20.32 (.80) | 50 |
| AKZ351/5 | 33.055 | 25.40 (1.00) | 50 |
| AKZ351/6 | 33.056 | 30.48 (1.20) | 50 |
| AKZ351/7 | 33.057 | 35.56 (1.40) | 30 |
| AKZ351/8 | 33.058 | 40.64 (1.60) | 30 |
| AKZ351/9 | 33.059 | 45.72 (1.80) | 30 |
| AKZ351/10 | 33.060 | 50.80 (2.00) | 30 |
| AKZ351/11 | 33.061 | 55.88 (2.20) | 20 |
| AKZ351/12 | 33.062 | 60.96 (2.40) | 20 |
| AKZ351/13 | 33.063 | 66.04 (2.60) | 20 |
| AKZ351/14 | 33.064 | 71.14 (2.80) | 20 |
| AKZ351/15 | 33.065 | 76.20 (3.00) | 20 |
| AKZ351/16 | 33.066 | 81.28 (3.20) | 15 |
| AKZ351/17 | 33.067 | 86.36 (3.40) | 15 |
| AKZ351/18 | 33.068 | 91.44 (3.60) | 15 |
| AKZ351/19 | 33.069 | 96.52 (3.80) | 15 |
| AKZ351/20 | 33.070 | 101.60 (4.00) | 15 |
| AKZ351/21 | 33.071 | 106.68 (4.20) | 10 |
| AKZ351/22 | 33.072 | 111.76 (4.40) | 10 |
| AKZ351/23 | 33.073 | 116.84 (4.60) | 10 |
| AKZ351/24 | 33.074 | 121.92 (4.80) | 10 |

Test probe slot openings on back
for access to pins



AKZ700 Front Wire Entry

Pin Spacing 5.08mm (.200)
Stripping Length 8mm (.315)
Screw Hole Diameter 3mm (.118)

| Wire Range | Current | Voltage |
|----------------------|---------|---------|
| 0.5-4mm ² | 16A | 250V |
| 22-12 AWG | 15A | 300V |
| 22-12 AWG | 15A | 300V |

| Type | Cat. No. | Length L mm (in.) | Std. Pk. |
|-----------|----------|----------------------|----------|
| AKZ700/2 | 30.852 | 10.16 (.40) | 100 |
| AKZ700/3 | 30.853 | 15.24 (.60) | 100 |
| AKZ700/4 | 30.854 | 20.32 (.80) | 50 |
| AKZ700/5 | 30.855 | 25.40 (1.00) | 50 |
| AKZ700/6 | 30.856 | 30.48 (1.20) | 50 |
| AKZ700/7 | 30.857 | 35.56 (1.40) | 30 |
| AKZ700/8 | 30.858 | 40.64 (1.60) | 30 |
| AKZ700/9 | 30.859 | 45.72 (1.80) | 30 |
| AKZ700/10 | 30.860 | 50.80 (2.00) | 30 |
| AKZ700/11 | 30.861 | 55.88 (2.20) | 20 |
| AKZ700/12 | 30.862 | 60.96 (2.40) | 20 |
| AKZ700/13 | 30.863 | 66.04 (2.60) | 20 |
| AKZ700/14 | 30.864 | 71.12 (2.80) | 20 |
| AKZ700/15 | 30.865 | 76.20 (3.00) | 20 |
| AKZ700/16 | 30.866 | 81.28 (3.20) | 15 |
| AKZ700/17 | 30.867 | 86.36 (3.40) | 15 |
| AKZ700/18 | 30.868 | 91.44 (3.60) | 15 |
| AKZ700/19 | 30.869 | 96.52 (3.80) | 15 |
| AKZ700/20 | 30.870 | 101.60 (4.00) | 15 |
| AKZ700/21 | 30.871 | 106.68 (4.20) | 10 |
| AKZ700/22 | 30.872 | 111.76 (4.40) | 10 |
| AKZ700/23 | 30.873 | 116.84 (4.60) | 10 |
| AKZ700/24 | 30.874 | 121.92 (4.80) | 10 |



FIXED PRINTED CIRCUIT DOUBLE AND SINGLE LEVEL US Pin Spacing^a Screw-Cage Clamp

For wire-to-board connections in industrial applications and where frequent wire terminations occur.

Use Double Level where space requirements call for high density wiring.

- Multipole, Modular Design
- Housing Material: Polyamide 6.6
- Standard Color: Green

^aBlocks with metric pin spacing begin on page 132.



AKZ705
Top Wire Entry

Pin Spacing 5.08mm (.200)
Stripping Length 8mm (.315)
Screw Hole Diameter 3mm (.118)



AKZ750
Front Wire Entry

Pin Spacing 5.08mm (.200)
Stripping Length 8mm (.315)
Screw Hole Diameter 4mm (.158)

Ratings

IEC/VDE
UL (File No. E101811)
CSA (File No. LR68503)

| Wire Range | Current | Voltage |
|----------------------|---------|---------|
| 0.5-4mm ² | 16A | 250V |
| 22-12 AWG | 15A | 300V |
| 22-12 AWG | 15A | 300V |

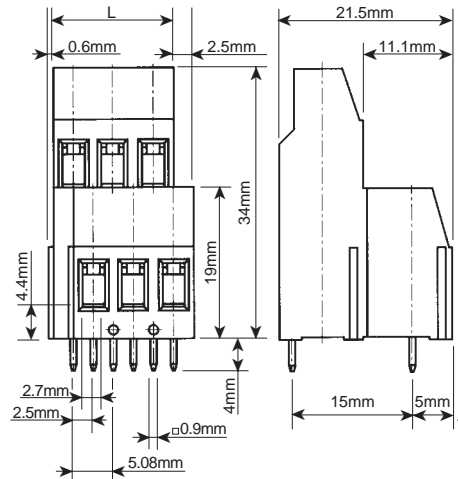
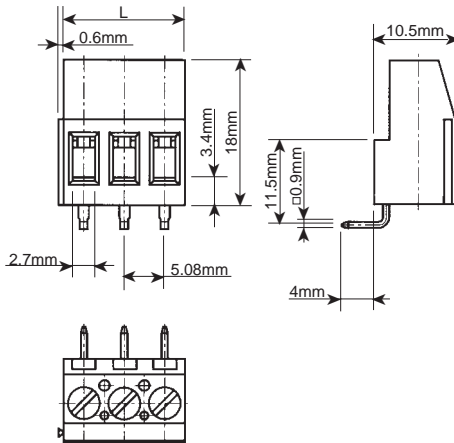
| Wire Range | Current | Voltage |
|----------------------|---------|---------|
| 0.5-4mm ² | 16A | 250V |
| 22-12 AWG | 15A | 300V |
| 22-12 AWG | 15A | 300V |

| Ordering Information | No. of Poles | | Type | Cat. No. | Length L mm (in.) | Std. Pk. |
|--|--------------|-----------|-----------|---------------|----------------------|----------|
| | AKZ750 | AKZ850 | | | | |
| Terminal Block, US (Inch) Pin Spacing | 4 | 2 | AKZ705/2 | 35.152 | 10.16 (.40) | 100 |
| | 6 | 3 | AKZ705/3 | 35.153 | 15.24 (.60) | 100 |
| | 8 | 4 | AKZ705/4 | 35.154 | 20.32 (.80) | 50 |
| | 10 | 5 | AKZ705/5 | 35.155 | 25.40 (1.00) | 50 |
| | 12 | 6 | AKZ705/6 | 35.156 | 30.48 (1.20) | 50 |
| | 14 | 7 | AKZ705/7 | 35.157 | 35.56 (1.40) | 30 |
| | 16 | 8 | AKZ705/8 | 35.158 | 40.64 (1.60) | 30 |
| | 18 | 9 | AKZ705/9 | 35.159 | 45.72 (1.80) | 30 |
| | 20 | 10 | AKZ705/10 | 35.160 | 50.80 (2.00) | 30 |
| | 22 | 11 | AKZ705/11 | 35.161 | 55.88 (2.20) | 20 |
| | 24 | 12 | AKZ705/12 | 35.162 | 60.96 (2.40) | 20 |
| | 26 | 13 | AKZ705/13 | 35.163 | 66.04 (2.60) | 20 |
| | 28 | 14 | AKZ705/14 | 35.164 | 71.12 (2.80) | 20 |
| | 30 | 15 | AKZ705/15 | 35.165 | 76.20 (3.00) | 20 |
| | 32 | 16 | AKZ705/16 | 35.166 | 81.28 (3.20) | 15 |
| | 34 | 17 | AKZ705/17 | 35.167 | 86.36 (3.40) | 15 |
| | 36 | 18 | AKZ705/18 | 35.168 | 91.44 (3.60) | 15 |
| | 38 | 19 | AKZ705/19 | 35.169 | 96.52 (3.80) | 15 |
| | 40 | 20 | AKZ705/20 | 35.170 | 101.60 (4.00) | 15 |
| 42 | 21 | AKZ705/21 | 35.171 | 106.68 (4.20) | 10 | |
| 44 | 22 | AKZ705/22 | 35.172 | 111.76 (4.40) | 10 | |
| 46 | 23 | AKZ705/23 | 35.173 | 116.84 (4.60) | 10 | |
| 48 | 24 | AKZ705/24 | 35.174 | 121.92 (4.80) | 10 | |
| 50 | | | | | | |

| Type | Cat. No. | Length L mm (in.) | Std. Pk. |
|-----------|----------|----------------------|----------|
| AKZ750/4 | 34.004 | 12.70 (.50) | 50 |
| AKZ750/6 | 34.006 | 17.78 (.70) | 50 |
| AKZ750/8 | 34.008 | 22.86 (.90) | 25 |
| AKZ750/10 | 34.010 | 27.94 (1.10) | 25 |
| AKZ750/12 | 34.012 | 33.02 (1.30) | 25 |
| AKZ750/14 | 34.014 | 38.10 (1.50) | 15 |
| AKZ750/16 | 34.016 | 43.18 (1.70) | 15 |
| AKZ750/18 | 34.018 | 48.26 (1.90) | 15 |
| AKZ750/20 | 34.020 | 53.34 (2.10) | 15 |
| AKZ750/22 | 34.022 | 58.42 (2.30) | 10 |
| AKZ750/24 | 34.024 | 63.50 (2.50) | 10 |
| AKZ750/26 | 34.026 | 68.58 (2.70) | 10 |
| AKZ750/28 | 34.028 | 73.66 (2.90) | 10 |
| AKZ750/30 | 34.030 | 78.74 (3.10) | 10 |
| AKZ750/32 | 34.032 | 83.82 (3.30) | 10 |
| AKZ750/34 | 34.034 | 88.90 (3.50) | 10 |
| AKZ750/36 | 34.036 | 93.98 (3.70) | 10 |
| AKZ750/38 | 34.038 | 99.06 (3.90) | 10 |
| AKZ750/40 | 34.040 | 104.14 (4.10) | 5 |
| AKZ750/42 | 34.042 | 109.22 (4.30) | 5 |
| AKZ750/44 | 34.044 | 114.30 (4.50) | 5 |
| AKZ750/46 | 34.046 | 119.38 (4.70) | 5 |
| AKZ750/48 | 34.048 | 124.46 (4.90) | 5 |
| AKZ750/50 | 34.050 | 129.54 (5.10) | 5 |

| Type | Cat. No. | Length L mm (in.) | Std. Pk. |
|-----------|----------|----------------------|----------|
| AKZ750/4 | 34.004 | 12.70 (.50) | 50 |
| AKZ750/6 | 34.006 | 17.78 (.70) | 50 |
| AKZ750/8 | 34.008 | 22.86 (.90) | 25 |
| AKZ750/10 | 34.010 | 27.94 (1.10) | 25 |
| AKZ750/12 | 34.012 | 33.02 (1.30) | 25 |
| AKZ750/14 | 34.014 | 38.10 (1.50) | 15 |
| AKZ750/16 | 34.016 | 43.18 (1.70) | 15 |
| AKZ750/18 | 34.018 | 48.26 (1.90) | 15 |
| AKZ750/20 | 34.020 | 53.34 (2.10) | 15 |
| AKZ750/22 | 34.022 | 58.42 (2.30) | 10 |
| AKZ750/24 | 34.024 | 63.50 (2.50) | 10 |
| AKZ750/26 | 34.026 | 68.58 (2.70) | 10 |
| AKZ750/28 | 34.028 | 73.66 (2.90) | 10 |
| AKZ750/30 | 34.030 | 78.74 (3.10) | 10 |
| AKZ750/32 | 34.032 | 83.82 (3.30) | 10 |
| AKZ750/34 | 34.034 | 88.90 (3.50) | 10 |
| AKZ750/36 | 34.036 | 93.98 (3.70) | 10 |
| AKZ750/38 | 34.038 | 99.06 (3.90) | 10 |
| AKZ750/40 | 34.040 | 104.14 (4.10) | 5 |
| AKZ750/42 | 34.042 | 109.22 (4.30) | 5 |
| AKZ750/44 | 34.044 | 114.30 (4.50) | 5 |
| AKZ750/46 | 34.046 | 119.38 (4.70) | 5 |
| AKZ750/48 | 34.048 | 124.46 (4.90) | 5 |
| AKZ750/50 | 34.050 | 129.54 (5.10) | 5 |

| Dimensions | | | |
|------------|-------|-------|-------|
| mm | in. | mm | in. |
| 0.60 | 0.024 | 10.16 | 0.400 |
| 0.90 | 0.035 | 10.50 | 0.413 |
| 2.50 | 0.098 | 11.10 | 0.437 |
| 2.70 | 0.106 | 11.50 | 0.453 |
| 3.40 | 0.134 | 15.00 | 0.591 |
| 4.00 | 0.157 | 18.00 | 0.709 |
| 4.40 | 0.173 | 19.00 | 0.748 |
| 5.00 | 0.197 | 21.50 | 0.846 |
| 5.08 | 0.200 | 34.00 | 1.339 |
| 7.62 | 0.300 | | |





AKZ710 Front Wire Entry

Pin Spacing 7.62mm (.300)
Stripping Length 8mm (.315)
Screw Hole Diameter 3.5mm (.138)

| Wire Range | Current | Voltage |
|----------------------|---------|---------|
| 0.5-4mm ² | 16A | 500V |
| 22-12 AWG | 15A | 300V |
| 22-12AWG | 15A | 300V |

| Type | Cat. No. | Length L mm (in.) | Std. Pk. |
|-----------|----------|----------------------|----------|
| AKZ710/2 | 31.702 | 15.24 (.60) | 100 |
| AKZ710/3 | 31.703 | 22.86 (.90) | 100 |
| AKZ710/4 | 31.704 | 30.48 (1.20) | 50 |
| AKZ710/5 | 31.705 | 38.10 (1.50) | 50 |
| AKZ710/6 | 31.706 | 45.72 (1.80) | 50 |
| AKZ710/7 | 31.707 | 53.34 (2.10) | 30 |
| AKZ710/8 | 31.708 | 60.96 (2.40) | 30 |
| AKZ710/9 | 31.709 | 68.58 (2.70) | 30 |
| AKZ710/10 | 31.710 | 76.20 (3.00) | 30 |
| AKZ710/11 | 31.711 | 83.82 (3.30) | 20 |
| AKZ710/12 | 31.712 | 91.44 (3.60) | 20 |
| AKZ710/13 | 31.713 | 99.06 (3.90) | 20 |
| AKZ710/14 | 31.714 | 106.68 (4.20) | 20 |
| AKZ710/15 | 31.715 | 114.30 (4.50) | 20 |



AKZ800 Front Wire Entry

Pin Spacing 10.16mm (.400)
Stripping Length 8mm (.315)
Screw Hole Diameter 3.5mm (.138)

| Wire Range | Current | Voltage |
|----------------------|---------|---------|
| 0.5-4mm ² | 16A | 630V |
| 22-12 AWG | 15A | 300V |
| 22-12 AWG | 15A | 300V |

| Type | Cat. No. | Length L mm (in.) | Std. Pk. |
|-----------|----------|----------------------|----------|
| AKZ800/2 | 39.152 | 15.24 (.60) | 100 |
| AKZ800/3 | 39.153 | 25.40 (1.00) | 50 |
| AKZ800/4 | 39.154 | 35.56 (1.40) | 30 |
| AKZ800/5 | 39.155 | 45.72 (1.80) | 30 |
| AKZ800/6 | 39.156 | 55.88 (2.20) | 20 |
| AKZ800/7 | 39.157 | 66.04 (2.60) | 20 |
| AKZ800/8 | 39.158 | 76.20 (3.00) | 20 |
| AKZ800/9 | 39.159 | 86.36 (3.40) | 15 |
| AKZ800/10 | 39.160 | 96.52 (3.80) | 15 |
| AKZ800/11 | 39.161 | 106.68 (4.20) | 10 |
| AKZ800/12 | 39.162 | 116.84 (4.60) | 10 |

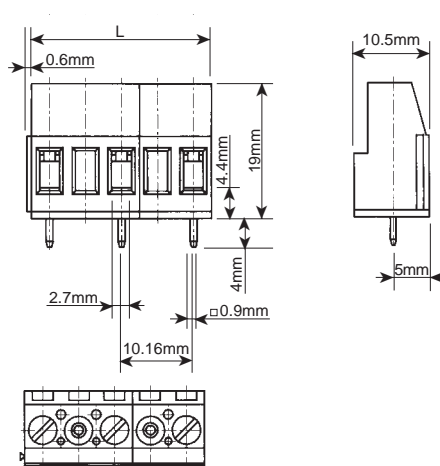
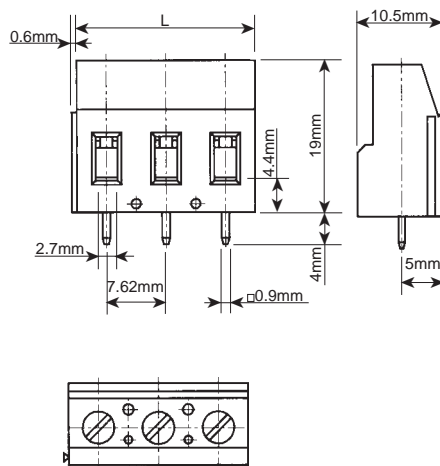


AKZ850 Front Wire Entry

Pin Spacing 10.16mm (.400)
Stripping Length 8mm (.315)
Screw Hole Diameter 4mm (.158)

| Wire Range | Current | Voltage |
|----------------------|---------|---------|
| 0.5-4mm ² | 16A | 630V |
| 22-12 AWG | 15A | 300V |
| 22-12 AWG | 15A | 300V |

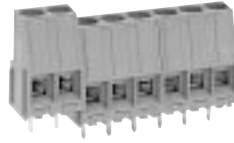
| Type | Cat. No. | Length L mm (in.) | Std. Pk. |
|-----------|----------|----------------------|----------|
| AKZ850/4 | 34.754 | 17.78 (.70) | 50 |
| AKZ850/6 | 34.756 | 27.94 (1.10) | 25 |
| AKZ850/8 | 34.758 | 38.10 (1.50) | 15 |
| AKZ850/10 | 34.760 | 48.26 (1.90) | 15 |
| AKZ850/12 | 34.762 | 58.42 (2.30) | 10 |
| AKZ850/14 | 34.764 | 68.58 (2.70) | 10 |
| AKZ850/16 | 34.766 | 78.74 (3.10) | 10 |
| AKZ850/18 | 34.768 | 88.90 (3.50) | 10 |
| AKZ850/20 | 34.770 | 99.06 (3.90) | 10 |
| AKZ850/22 | 34.772 | 109.22 (4.30) | 10 |
| AKZ850/24 | 34.774 | 119.38 (4.70) | 10 |



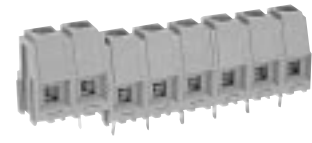
FIXED PRINTED CIRCUIT HIGH CURRENT US Pin Spacing^a Screw Cage Clamp

For wire to board connections in AC power applications where a high current connection (up to 30 Amps) is required and where frequent terminations occur. Popular 1/4" and 3/8" pin spacings provide replacements for outdated PC board barrier strips.

- Multipole, Modular Design
- Housing Material: Polyamide 6.6
- Standard Color: Green



AKZ840
Front Wire Entry



AKZ841
Front Wire Entry

^aBlocks with metric pin spacing begin on page 132.

Pin Spacing 6.35mm (.250)
Stripping Length 8mm (.315)
Screw Hole Diameter 5.5mm (.217)

Pin Spacing 9.52mm (.375)
Stripping Length 8mm (.315)
Screw Hole Diameter 5.5mm (.217)

| Ratings IEC/VDE | Wire Range | Current | Voltage | Wire Range | Current | Voltage |
|--------------------|----------------------|---------|---------|----------------------|---------|---------|
| | 0.5-4mm ² | 32A | 500V | 0.5-4mm ² | 32A | 630V |
| | 28-10 AWG | 30A | 300V | 28-10 AWG | 30A | 300V |
| | 22-10 AWG | 30A | 300V | 22-10 AWG | 30A | 300V |

| Ordering Information | No. of Poles | Type | Cat. No. | Length L mm (in.) | Std. Pk. | Type | Cat. No. | Length L mm (in.) | Std. Pk. |
|--|--------------|-----------|----------|----------------------|----------|-----------|----------|----------------------|----------|
| Terminal Block, US (Inch) Pin Spacing | 2 | AKZ840/2 | 35.302 | 12.70 (.50) | 100 | AKZ841/2 | 35.352 | 19.00 (.75) | 100 |
| | 3 | AKZ840/3 | 35.303 | 19.00 (.75) | 100 | AKZ841/3 | 35.353 | 28.45 (1.12) | 100 |
| | 4 | AKZ840/4 | 35.304 | 25.40 (1.00) | 50 | AKZ841/4 | 35.354 | 38.00 (1.50) | 25 |
| | 5 | AKZ840/5 | 35.305 | 31.70 (1.25) | 50 | AKZ841/5 | 35.355 | 47.45 (1.87) | 25 |
| | 6 | AKZ840/6 | 35.306 | 38.00 (1.50) | 50 | AKZ841/6 | 35.356 | 56.90 (2.24) | 25 |
| | 7 | AKZ840/7 | 35.307 | 44.40 (1.75) | 30 | AKZ841/7 | 35.357 | 66.45 (2.61) | 15 |
| | 8 | AKZ840/8 | 35.308 | 50.70 (2.00) | 30 | AKZ841/8 | 35.358 | 75.90 (2.99) | 15 |
| | 9 | AKZ840/9 | 35.309 | 57.00 (2.25) | 30 | AKZ841/9 | 35.359 | 85.35 (3.36) | 15 |
| | 10 | AKZ840/10 | 35.310 | 63.40 (2.50) | 30 | AKZ841/10 | 35.360 | 94.90 (3.74) | 15 |
| | 11 | AKZ840/11 | 35.311 | 69.70 (2.75) | 20 | AKZ841/11 | 35.361 | 104.35 (4.11) | 10 |
| | 12 | AKZ840/12 | 35.312 | 76.00 (3.00) | 20 | AKZ841/12 | 35.362 | 113.80 (4.48) | 10 |
| | 13 | AKZ840/13 | 35.313 | 82.40 (3.25) | 20 | AKZ841/13 | 35.363 | 123.35 (4.86) | 10 |
| | 14 | AKZ840/14 | 35.314 | 88.70 (3.50) | 20 | AKZ841/14 | 35.364 | 132.80 (5.23) | 10 |
| | 15 | AKZ840/15 | 35.315 | 95.00 (3.75) | 20 | AKZ841/15 | 35.365 | 142.25 (5.60) | 10 |
| | 16 | AKZ840/16 | 35.316 | 101.40 (4.00) | 20 | AKZ841/16 | 35.366 | 151.80 (5.98) | 10 |



| Dimensions | | | |
|------------|------|-------|------|
| mm | in. | mm | in. |
| 0.60 | .024 | 6.35 | .25 |
| 0.80 | .031 | 8.00 | .314 |
| 0.95 | .037 | 9.52 | .374 |
| 3.50 | .138 | 12.50 | .492 |
| 5.00 | .196 | 22.30 | .877 |
| 5.30 | .208 | 23.5 | .925 |

FIXED PRINTED CIRCUIT US Pin Spacing^a Dual Pin Screwless Spring Clamp

Choose from 3 methods of clamp actuation:

Type AK(Z)3000 - Insert a small screwdriver with a tip width up to 3mm (approx. 1/8") into slot in housing and push to open clamp.

Type AK(Z)3001KD - Push on grooved lever with screwdriver to open clamp.

Type AK(Z)3001FD - Simply push flat lever with finger to open clamp.

- Interlocking Sectional Design
- Stainless Steel Spring
- Front to Rear Pin Spacing, 5mm (.197 in.)
- Multipole Assemblies Supplied with End Plate Installed.
- Housing Material: Polyamide 6.6
- Standard Color: Light Gray

^aBlocks with metric pin spacing begin on page 132.



AK(Z)3000
45° Wire Entry
Without Lever

Pin Spacing 5.08mm (.200)^d
Stripping Length 6mm (.236)



AK(Z)3001KD
45° Wire Entry
With Grooved Push Lever



AK(Z)3001FD
45° Wire Entry
With Flat Push Lever

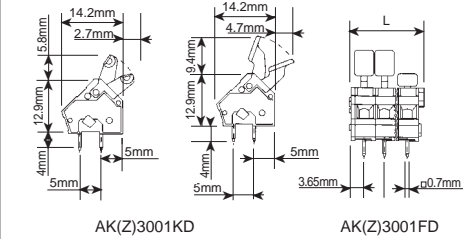
Pin Spacing 5.08mm (.200)^e
Stripping Length 6mm (.236)

| Ratings IEC/VDE  | AK(Z)3000 | | | AK(Z)3001KD | | | AK(Z)3001FD | | |
|---|---------------------------|--------------------------------|---------------|------------------------|------------------|-----------------------------|------------------------|-------------------|------------------|
| | Wire Range | Current | Voltage | Wire Range | Current | Voltage | Wire Range | Current | Voltage |
| | 0.5-2.5mm ² | 10A | 250V | 0.5-2.5mm ² | 10A | 250V | 0.5-2.5mm ² | 10A | 250V |
| | 28-14 AWG | 15A | 300V | 28-14 AWG | 15A | 300V | 28-14 AWG | 15A | 300V |
| | 28-14 AWG | 15A | 300V | 28-14 AWG | 15A | 300V | 28-14 AWG | 15A | 300V |
| Ordering Information | No. of Poles ^c | Type | Cat. No. | Length L mm (in.) | Std. Pk. | Type | Cat. No. | Length L mm (in.) | Std. Pk. |
| Terminal Block, US (Inch) Pin Spacing | 1^b | With Grooved Push Lever | | | | With Flat Push Lever | | | |
| 2 through 12 pole assemblies include one end plate | 2 | AK(Z)3000/1 | 32.101 | 7.20 (.28) | 200 ^b | AK(Z)3001KD/1 | 32.201 | 7.90 (.31) | 200 ^b |
| | 3 | AK(Z)3000/2 | 32.102 | 12.20 (.48) | 100 | AK(Z)3001KD/2 | 32.202 | 12.90 (.50) | 100 |
| | 4 | AK(Z)3000/3 | 32.103 | 17.20 (.67) | 100 | AK(Z)3000KD/3 | 32.203 | 17.90 (.70) | 100 |
| | 5 | AK(Z)3000/4 | 32.104 | 22.20 (.87) | 50 | AK(Z)3001KD/4 | 32.204 | 22.90 (.90) | 50 |
| | 6 | AK(Z)3000/5 | 32.105 | 27.20 (1.07) | 50 | AK(Z)3001KD/5 | 32.205 | 27.90 (1.10) | 50 |
| | 7 | AK(Z)3000/6 | 32.106 | 32.20 (1.28) | 50 | AK(Z)3001KD/6 | 32.206 | 32.90 (1.30) | 50 |
| | 8 | AK(Z)3000/7 | 32.107 | 37.20 (1.46) | 30 | AK(Z)3001KD/7 | 32.207 | 37.90 (1.49) | 30 |
| | 9 | AK(Z)3000/8 | 32.108 | 42.20 (1.66) | 30 | AK(Z)3001KD/8 | 32.208 | 42.90 (1.69) | 30 |
| | 10 | AK(Z)3000/9 | 32.109 | 47.20 (1.85) | 30 | AK(Z)3001KD/9 | 32.209 | 47.90 (1.89) | 30 |
| | 11 | AK(Z)3000/10 | 32.110 | 52.20 (2.25) | 30 | AK(Z)3001KD/10 | 32.210 | 52.90 (2.08) | 30 |
| | 12 | AK(Z)3000/11 | 32.111 | 57.20 (2.25) | 20 | AK(Z)3001KD/11 | 32.211 | 57.90 (2.28) | 20 |
| | 12 | AK(Z)3000/12 | 32.112 | 62.20 (2.44) | 20 | AK(Z)3001KD/12 | 32.212 | 62.90 (2.44) | 20 |
| Terminal Block, US (Inch) Pin Spacing | 1^b | | | | | | | | |
| 2 through 12 pole assemblies include one end plate | 2 | | | | | | | | |
| | 3 | | | | | | | | |
| | 4 | | | | | | | | |
| | 5 | | | | | | | | |
| | 6 | | | | | | | | |
| | 7 | | | | | | | | |
| | 8 | | | | | | | | |
| | 9 | | | | | | | | |
| | 10 | | | | | | | | |
| | 11 | | | | | | | | |
| | 12 | | | | | | | | |
| End Plate | | AP3000 | 32.100 | | 50 | AP3001 | 32.200 | | 50 |

| Dimensions | | | |
|------------|-------|-------|-------|
| mm | in. | mm | in. |
| 0.70 | 0.028 | 5.80 | 0.228 |
| 2.70 | 0.106 | 9.40 | 0.370 |
| 3.65 | 0.144 | 12.90 | 0.508 |
| 4.00 | 0.157 | 14.20 | 0.559 |
| 4.70 | 0.185 | | |
| 5.00 | 0.197 | | |



^d5mm (.197") nominal pin spacing is adjustable to 5.08mm (.200")



^e5mm (.197") nominal pin spacing is adjustable to 5.08mm (.200")

^b Supplied as 50 pole break apart assemblies, includes one end plate. Order additional end plates separately
^c Up to 50 poles available, please consult Altech

PLUGGABLE PRINTED CIRCUIT US Pin Spacing^a Tubular Screw Clamp Plug

For plug-in applications where infrequent wire-to-board connections are made and a very cost effective pluggable terminal block is needed.

Multipole assemblies are offered in modular interlocking or single mold construction up to 6 poles. While modular construction reduces and simplifies inventory, the single mold design provides maximum strength.

- Modular or Single Mold Design
- Wire Protector Standard
- Housing Material: Polyamide 6.6
- Standard Color: Gray

^aBlocks with metric pin spacing begin on page 132.



AK(Z)130 Modular Plug

Pole Spacing 5mm (.197)^b
Stripping Length 6mm (.236)
Screw Hole Diameter 3.5mm (.138)

Use with STL(Z)130, STZ(Z)132, STL(Z)140 Headers



AK(Z)132 Single Mold Plug

Pole Spacing 5mm (.197)^d
Stripping Length 6mm (.236)
Screw Hole Diameter 3.5mm (.138)

Use with STL(Z)130, STZ(Z)132, STL(Z)140 Headers

Ratings

IEC/VDE

(File No. E101811)

(File No. LR68503)

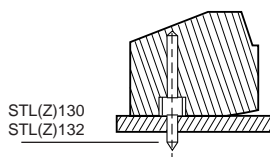
| Wire Range | Current | Voltage |
|------------------------|---------|---------|
| 0.5-1.5mm ² | 10A | 250V |
| 22-14 AWG | 10A | 300V |
| 22-14 AWG | 10A | 300V |

| Wire Range | Current | Voltage |
|------------------------|---------|---------|
| 0.5-1.5mm ² | 10A | 250V |
| 22-14 AWG | 10A | 300V |
| 22-14 AWG | 10A | 300V |

| Ordering Information | No. of Poles | AK(Z)130 | | | | AK(Z)132 | | | |
|------------------------------|--------------|--------------|----------|-------------------|----------|--------------|----------|-------------------|----------|
| | | Type | Cat. No. | Length L mm (in.) | Std. Pk. | Type | Cat. No. | Length L mm (in.) | Std. Pk. |
| Plug, US (Inch) Pole Spacing | 2 | AK(Z)130/2wp | 30.302 | 10.00 (.39) | 100 | AK(Z)132/2wp | 30.322 | 10.00 (.39) | 100 |
| | 3 | AK(Z)130/3wp | 30.303 | 15.00 (.59) | 100 | AK(Z)132/3wp | 30.323 | 15.00 (.59) | 100 |
| | 4 | AK(Z)130/4wp | 30.304 | 20.00 (.79) | 50 | AK(Z)132/4wp | 30.324 | 20.00 (.79) | 50 |
| | 5 | AK(Z)130/5wp | 30.305 | 25.00 (.99) | 50 | AK(Z)132/5wp | 30.325 | 25.00 (.99) | 50 |
| | 6 | AK(Z)130/6wp | 30.306 | 30.00 (1.18) | 50 | AK(Z)132/6wp | 30.326 | 30.00 (1.18) | 50 |



| Dimensions | | | |
|------------|-------|-------|-------|
| mm | in. | mm | in. |
| 0.70 | 0.028 | 10.80 | 0.425 |
| 2.70 | 0.106 | 13.50 | 0.531 |
| 9.30 | 0.366 | | |



^bAppropriate for use in US (inch) pin spacings up to the number of poles shown.

^dAppropriate for use in US (inch) pin spacings up to the number of poles shown.

PLUGGABLE PRINTED CIRCUIT US Pin Spacing^a Pin Headers

STL(Z)130, STL(Z)132 Straight and STL(Z)140 Right Angle Pin Headers are used with the highly cost effective Tubular Screw Clamp Plugs, Type AK(Z)130 and AK(Z)132, in lighter duty applications where infrequent wire to board connections must be made. Type STL(Z)132 features a reduced pin diameter of 1.0mm (.0394") on the soldering side.

Open Pin Headers are supplied in strips up to 6 poles. The Pin Header strip features breakaway construction that eliminates cutting or sawing.

- Straight and Right Angle
- Strip Material: Polyamide 6.6
- Standard Color: Gray

^aBlocks with metric pin spacing begin on page 132.



STL(Z)130
Straight Pin Header



STL(Z)140
Right Angle Pin Header^b

Pin Spacing 5mm (.197)^c

Use with AK(Z)130, AK(Z)132 Plugs^b

Smaller pin diameter for 1.0mm (.0394") through-holes



STL(Z)132
Straight Pin Header

Pin Spacing 5mm (.197)^d

Use with AK(Z)130, AK(Z)132 Plugs

Ratings
IEC/VDE
 (File No. E101811)
 (File No. LR68503)

| Current | Voltage |
|------------------|-------------------|
| 10A | 250V |
| 10A ^e | 300V ^e |
| 10A ^e | 300V ^e |

| Current | Voltage |
|------------------|-------------------|
| 10A | 250V |
| 10A ^e | 300V ^e |
| 10A ^e | 300V ^e |

| Ordering Information | | No. of Poles | Type | Cat. No. | Length L mm (in.) | Std. Pk. | Type | Cat. No. | Length L mm (in.) | Std. Pk. |
|--|--|--------------|-------------|---------------|-------------------|----------|-------------|---------------|-------------------|----------|
| Straight Pin Header, US (Inch) Pin Spacing | | 2 | STL(Z)130/2 | 30.352 | 10.00 (.39) | 100 | STL(Z)132/2 | 32.502 | 10.00 (.39) | 100 |
| | | 3 | STL(Z)130/3 | 30.353 | 15.00 (.59) | 100 | STL(Z)132/3 | 32.503 | 15.00 (.59) | 100 |
| | | 4 | STL(Z)130/4 | 30.354 | 20.00 (.79) | 50 | STL(Z)132/4 | 32.504 | 20.00 (.79) | 50 |
| | | 5 | STL(Z)130/5 | 30.355 | 25.00 (.99) | 50 | STL(Z)132/5 | 32.505 | 25.00 (.99) | 50 |
| | | 6 | STL(Z)130/6 | 30.356 | 30.00 (1.18) | 50 | STL(Z)132/6 | 32.506 | 30.00 (1.18) | 50 |
| Right Angle Pin Header, US (Inch) Pin Spacing | | 2 | STL(Z)140/2 | 30.472 | 10.00 (.39) | 100 | | | | |
| | | 3 | STL(Z)140/3 | 30.473 | 15.00 (.59) | 100 | | | | |
| | | 4 | STL(Z)140/4 | 30.474 | 20.00 (.79) | 50 | | | | |
| | | 5 | STL(Z)140/5 | 30.475 | 25.00 (.99) | 50 | | | | |
| | | 6 | STL(Z)140/6 | 30.476 | 30.00 (1.18) | 50 | | | | |

| Dimensions | | | |
|------------|-------|-------|-------|
| mm | in. | mm | in. |
| 1.00 | 0.039 | 5.50 | 0.217 |
| 1.30 | 0.051 | 6.00 | 0.236 |
| 2.00 | 0.079 | 11.80 | 0.465 |
| 2.80 | 0.110 | 12.50 | 0.492 |
| 3.50 | 0.138 | | |



^bTo insure proper pin positioning, install header into AK(Z)130 or AK(Z)132 Plug before soldering into board.

^cAppropriate for use in US (inch) pin spacings up to the number of poles shown providing minimum PC Board Hole Size is 1.5mm(.059 in.)

^dAppropriate for use in US (inch) pin spacings up to the number of poles shown providing minimum PC Board Hole Size is 1.5mm(.059 in.)

^ePending, STL(Z)140 and STL(Z)132

MINI PLUGGABLE PRINTED CIRCUIT US Pin Spacing^a Screw-Cage Clamp Plug and Headers

For use in industrial plug-in applications where space is limited.

Horizontal and vertical headers offer different wire entry options and enhance plug accessibility. Closed end designs help prevent misplugging.

- Multipole, Single Mold Design
- Optional Keying Prevents Misplugging^b
- Housing Material: Polyamide 6.6
- Standard Color: Green



STLZ1550-W
Horizontal - Closed End



AKZ1550



STLZ1555-W
Vertical - Closed End

Pole Spacing 3.81mm (.150)
Stripping Length 7mm (.276)
Screw Hole Diameter 2.5mm (.098)

Pin Spacing 3.81mm (.150)

Use with STLZ1550 or STLZ1555 Headers

Use with AKZ1550 Plug

^aBlocks with metric pin spacing begin on page 132.

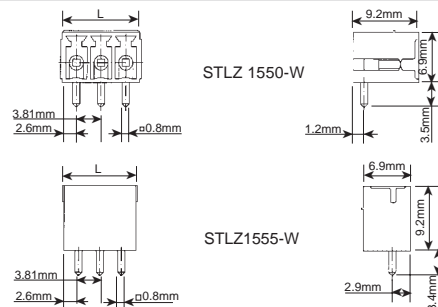
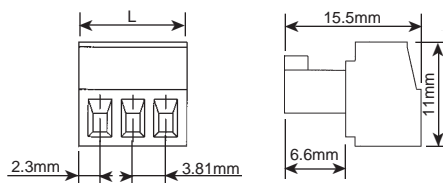


| Wire Range | Current | Voltage |
|------------------------|---------|---------|
| 0.4-1.5mm ² | 8A | 125V |
| 28-16 AWG | 8A | 300V |
| 28-16 AWG | 8A | 300V |

| Current | Voltage |
|---------|---------|
| 8A | 125V |
| 8A | 300V |
| 8A | 300V |

| Ordering Information | No. of Poles | AKZ1550 Plug | | | | STLZ1550-W Header | | | |
|--|---------------------------------------|--------------|------------|-------------------|---------------|-------------------|---------------|-------------------|--------------|
| | | Type | Cat. No. | Length L mm (in.) | Std. Pk. | Type | Cat. No. | Length L mm (in.) | Std. Pk. |
| Plugs, Horizontal Headers US (inch) Spacing | 2 | AKZ1550/2 | 36.302 | 8.41 (.33) | 100 | STLZ1550/2-w | 36.402 | 9.01 (.35) | 100 |
| | 3 | AKZ1550/3 | 36.303 | 12.22 (.48) | 100 | STLZ1550/3-w | 36.403 | 12.82 (.50) | 100 |
| | 4 | AKZ1550/4 | 36.304 | 16.03 (.63) | 50 | STLZ1550/4-w | 36.404 | 16.63 (.65) | 50 |
| | 5 | AKZ1550/5 | 36.305 | 19.84 (.78) | 50 | STLZ1550/5-w | 36.405 | 20.44 (.80) | 50 |
| | 6 | AKZ1550/6 | 36.306 | 23.65 (.93) | 50 | STLZ1550/6-w | 36.406 | 24.25 (.95) | 50 |
| | 7 | AKZ1550/7 | 36.307 | 27.46 (1.08) | 30 | STLZ1550/7-w | 36.407 | 28.06 (1.10) | 30 |
| | 8 | AKZ1550/8 | 36.308 | 31.27 (1.23) | 30 | STLZ1550/8-w | 36.408 | 31.87 (1.25) | 30 |
| | 9 | AKZ1550/9 | 36.309 | 35.08 (1.38) | 30 | STLZ1550/9-w | 36.409 | 35.68 (1.40) | 30 |
| | 10 | AKZ1550/10 | 36.310 | 38.89 (1.53) | 30 | STLZ1550/10-w | 36.410 | 39.49 (1.55) | 30 |
| | 11 | AKZ1550/11 | 36.311 | 42.70 (1.68) | 20 | STLZ1550/11-w | 36.411 | 43.30 (1.70) | 20 |
| | 12 | AKZ1550/12 | 36.312 | 46.51 (1.83) | 20 | STLZ1550/12-w | 36.412 | 47.11 (1.85) | 20 |
| | 13 | AKZ1550/13 | 36.313 | 50.32 (1.98) | 20 | STLZ1550/13-w | 36.413 | 50.92 (2.00) | 20 |
| | Vertical Headers US (inch) Spacing | 14 | AKZ1550/14 | 36.314 | 54.13 (2.13) | 20 | STLZ1550/14-w | 36.414 | 54.73 (2.15) |
| 15 | | AKZ1550/15 | 36.315 | 57.94 (2.28) | 20 | STLZ1550/15-w | 36.415 | 58.54 (2.30) | 20 |
| 16 | | AKZ1550/16 | 36.316 | 61.75 (2.43) | 15 | STLZ1550/16-w | 36.416 | 62.35 (2.45) | 15 |
| 2 | | | | | | STLZ1555/2-w | 36.452 | 9.01 (.35) | 100 |
| 3 | | | | | | STLZ1555/3-w | 36.453 | 12.82 (.50) | 100 |
| 4 | | | | | | STLZ1555/4-w | 36.454 | 16.63 (.65) | 50 |
| 5 | | | | | | STLZ1555/5-w | 36.455 | 20.44 (.80) | 50 |
| 6 | | | | | | STLZ1555/6-w | 36.456 | 24.25 (.95) | 50 |
| 7 | | | | | | STLZ1555/7-w | 36.457 | 28.06 (1.10) | 30 |
| 8 | | | | | | STLZ1555/8-w | 36.458 | 31.87 (1.25) | 30 |
| 9 | | | | | | STLZ1555/9-w | 36.459 | 35.68 (1.40) | 30 |
| 10 | | | | | | STLZ1555/10-w | 36.460 | 39.49 (1.55) | 30 |
| 11 | | | | | | STLZ1555/11-w | 36.461 | 43.30 (1.70) | 20 |
| 12 | | | | | STLZ1555/12-w | 36.462 | 47.11 (1.85) | 20 | |
| 13 | | | | | STLZ1555/13-w | 36.463 | 50.92 (2.00) | 20 | |
| 14 | | | | | STLZ1555/14-w | 36.464 | 54.73 (2.15) | 20 | |
| 15 | | | | | STLZ1555/15-w | 36.465 | 58.54 (2.30) | 20 | |
| 16 | | | | | STLZ1555/16-w | 36.466 | 62.35 (2.45) | 15 | |

| Dimensions | | | |
|------------|-------|-------|-------|
| mm | in. | mm | in. |
| 0.80 | 0.031 | 3.81 | 0.150 |
| 1.20 | 0.047 | 6.60 | 0.260 |
| 2.30 | 0.091 | 6.90 | 0.272 |
| 2.60 | 0.102 | 9.20 | 0.362 |
| 2.90 | 0.114 | 11.10 | 0.437 |
| 3.40 | 0.134 | 15.50 | 0.610 |
| 3.50 | 0.138 | | |



^bFor Keying, please consult Altech

STANDARD PLUGGABLE PRINTED CIRCUIT US Pin Spacing^a Screw-Cage Clamp Plug

For standard industrial plug-in applications where multiple wire-to-board connections must be made quickly and simultaneously.

Reduce wiring mistakes, downtime and facilitate troubleshooting. Simply unplug defective board and plug in a new one.

Horizontal and Vertical, 45° and Double Level Headers are available. Headers are available in open and closed end designs. Refer to page 126 to 129.

- Multipole, Single Mold Construction
- Industry Standard Compatible
- Locking Tabs Prevent Unplugging
- Optional Keying Prevents Misplugging^b
- Housing Material: Polyamide 6.6
- Standard Color: Green

^aBlocks with metric pin spacing begin on page 132.

Ratings

IEC/VDE

 (File No. E101811)

 (File No. LR68503)



AKZ950

Wire Entry in Same Direction as Plug-In

Pole Spacing 5.08mm (.200)
Stripping Length 7mm (.276)
Screw Hole Diameter 3.5mm (.138)

Use with STLZ950, STLZ955, STLZ970,
STLZ975, STLZ11, STLZ990 Headers

| Wire Range | Current | Voltage |
|------------------------|---------|---------|
| 0.5-2.5mm ² | 12A | 250V |
| 22-12 AWG | 15A | 300V |
| 22-14 AWG | 15A | 300V |

| Ordering Information | No. of Poles | Type | Cat. No. | Length L mm (in.) | Std. Pk. |
|------------------------------|--------------|-----------|----------|-------------------|----------|
| Plug, US (Inch) Pole Spacing | 2 | AKZ950/2 | 37.002 | 10.16 (.40) | 100 |
| | 3 | AKZ950/3 | 37.003 | 15.24 (.60) | 100 |
| | 4 | AKZ950/4 | 37.004 | 20.32 (.80) | 50 |
| | 5 | AKZ950/5 | 37.005 | 25.40 (1.00) | 50 |
| | 6 | AKZ950/6 | 37.006 | 30.48 (1.20) | 50 |
| | 7 | AKZ950/7 | 37.007 | 35.56 (1.40) | 30 |
| | 8 | AKZ950/8 | 37.008 | 40.64 (1.60) | 30 |
| | 9 | AKZ950/9 | 37.009 | 45.72 (1.80) | 30 |
| | 10 | AKZ950/10 | 37.010 | 50.80 (2.00) | 30 |
| | 11 | AKZ950/11 | 37.011 | 55.88 (2.20) | 20 |
| | 12 | AKZ950/12 | 37.012 | 60.98 (2.40) | 20 |
| | 13 | AKZ950/13 | 37.013 | 66.04 (2.60) | 20 |
| | 14 | AKZ950/14 | 37.014 | 71.14 (2.80) | 20 |
| | 15 | AKZ950/15 | 37.015 | 76.20 (3.00) | 20 |
| | 16 | AKZ950/16 | 37.016 | 81.28 (3.20) | 15 |
| | 17 | AKZ950/17 | 37.017 | 86.36 (3.40) | 15 |
| | 18 | AKZ950/18 | 37.018 | 91.44 (3.60) | 15 |
| | 19 | AKZ950/19 | 37.019 | 96.52 (3.80) | 15 |
| | 20 | AKZ950/20 | 37.020 | 101.60 (4.00) | 15 |
| | 21 | AKZ950/21 | 37.021 | 106.66 (4.20) | 10 |
| | 22 | AKZ950/22 | 37.022 | 111.76 (4.40) | 10 |
| | 23 | AKZ950/23 | 37.023 | 116.64 (4.60) | 10 |
| | 24 | AKZ950/24 | 37.024 | 121.92 (4.80) | 10 |

| Dimensions | | | |
|------------|-------|-------|-------|
| mm | in. | mm | in. |
| 2.70 | 0.106 | 9.00 | 0.354 |
| 3.10 | 0.039 | 15.00 | 0.600 |
| 5.08 | 0.200 | 17.30 | 0.039 |



^bFor Keying, refer to Accessories on Page146

STANDARD PLUGGABLE PRINTED CIRCUIT US Pin Spacing^a Screw-Cage Clamp Plug

For standard industrial plug-in applications where multiple wire-to-board connections must be made quickly and simultaneously.

Two wire entry options increase plug accessibility. The shape of the plug facilitates plug-in and removal.

- Multipole, Single Mold Construction
- Industry Standard Compatible
- Locking Tab Prevents Unplugging
- Optional Keying Prevents Misplugging^b
- Housing Material: Polyamide 6.6
- Standard Color: Green^c

^aBlocks with metric pin spacing begin on page 132.

Ratings
IEC/VDE
UL (File No. E151279)
CSA (File No. LR103097-1)

| Ordering Information | No. of Poles |
|-------------------------------------|--------------|
| Plug, US (inch) Pole Spacing | 2 |
| | 3 |
| | 4 |
| | 5 |
| | 6 |
| | 7 |
| | 8 |
| | 9 |
| | 10 |
| | 11 |
| | 12 |
| | 13 |
| | 14 |
| | 15 |
| | 16 |



BU02

**Wire Entry Perpendicular to Plug-In
(On Locking Tab Side)**

Pole Spacing 5.08mm (.200)
Stripping Length 8mm (.315)
Screw Hole Diameter 3.5mm (.138)

Use with STLZ950, STLZ955, STLZ11,
STLZ990 Headers

| Wire Range | Current | Voltage |
|------------------------|------------------|---------|
| 0.5-2.5mm ² | 12A | 250V |
| 22-10 AWG | 15A | 300V |
| 22-10 AWG ^a | 15A ^a | 300V |

| Type | Cat. No. | Length L mm (in.) | Std. Pk. |
|---------|---------------|----------------------|----------|
| BU02/2 | 36.002 | 10.16 (.40) | 100 |
| BU02/3 | 36.003 | 15.24 (.60) | 100 |
| BU02/4 | 36.004 | 20.32 (.80) | 50 |
| BU02/5 | 36.005 | 25.40 (1.00) | 50 |
| BU02/6 | 36.006 | 30.48 (1.20) | 50 |
| BU02/7 | 36.007 | 35.56 (1.40) | 30 |
| BU02/8 | 36.008 | 40.64 (1.60) | 30 |
| BU02/9 | 36.009 | 45.72 (1.80) | 30 |
| BU02/10 | 36.010 | 50.80 (2.00) | 20 |
| BU02/11 | 36.011 | 55.88 (2.20) | 20 |
| BU02/12 | 36.012 | 60.96 (2.40) | 20 |
| BU02/13 | 36.013 | 66.04 (2.60) | 20 |
| BU02/14 | 36.014 | 71.12 (2.80) | 20 |
| BU02/15 | 36.015 | 76.20 (3.00) | 20 |
| BU02/16 | 36.016 | 81.28 (3.20) | 15 |



BU04

**Wire Entry Perpendicular to Plug-In
(On Scalloped Side)**

Pole Spacing 5.08mm (.200)
Stripping Length 8mm (.315)
Screw Hole Diameter 3.5mm (.138)

Use with STLZ950, STLZ955, STLZ11,
STLZ990 Headers

| Wire Range | Current | Voltage |
|------------------------|------------------|---------|
| 0.5-2.5mm ² | 12A | 250V |
| 22-10 AWG | 15A | 300V |
| 22-10 AWG ^b | 15A ^b | 300V |

| Type | Cat. No. | Length L mm (in.) | Std. Pk. |
|---------|---------------|----------------------|----------|
| BU04/2 | 36.052 | 10.16 (.40) | 100 |
| BU04/3 | 36.053 | 15.24 (.60) | 100 |
| BU04/4 | 36.054 | 20.32 (.80) | 50 |
| BU04/5 | 36.055 | 25.40 (1.00) | 50 |
| BU04/6 | 36.056 | 30.48 (1.20) | 50 |
| BU04/7 | 36.057 | 35.56 (1.40) | 30 |
| BU04/8 | 36.058 | 40.64 (1.60) | 30 |
| BU04/9 | 36.059 | 45.72 (1.80) | 30 |
| BU04/10 | 36.060 | 50.80 (2.00) | 20 |
| BU04/11 | 36.061 | 55.88 (2.20) | 20 |
| BU04/12 | 36.062 | 60.96 (2.40) | 20 |
| BU04/13 | 36.063 | 66.04 (2.60) | 20 |
| BU04/14 | 36.064 | 71.12 (2.80) | 20 |
| BU04/15 | 36.065 | 76.20 (3.00) | 20 |
| BU04/16 | 36.066 | 81.28 (3.20) | 15 |

| Dimensions | | | |
|------------|-------|-------|-------|
| mm | in. | mm | in. |
| 2.54 | 0.100 | 12.50 | 0.492 |
| 5.08 | 0.200 | 26.50 | 1.043 |
| 8.30 | 0.327 | | |



^aPending



^bPending

STANDARD PLUGGABLE PRINTED CIRCUIT US Pin Spacing^a Screw-Cam Clamp Plug

For standard industrial plug-in applications where multiple wire-to-board connections must be made quickly and simultaneously.

Ideal for limited access application, wire entry and screws on the same side.

- Multipole, Single Mold Construction
- Industry Standard Compatible
- Optional Keying Prevents Misplugging
- Housing Material: Polyamide 6.6
- Standard Color: Green

^aBlocks with metric pin spacing begin on page 132.

Ratings

IEC/VDE

 (File No. E101811)

 (File No. LR68503)



AKZ1200

**Wire Entry and Screws on Same Side
and in Same Direction as Plug-In**

Pole Spacing 5.08mm (.200)
Stripping Length 7mm (.276)
Screw Hole Diameter 3mm (.118)

Use with STLZ950, STLZ955, STLZ990,
STLZ11, STLZ970, STLZ975 Headers

| Wire Range | Current | Voltage |
|------------------------|---------|---------|
| 0.5-2.5mm ² | 12A | 250V |
| 22-12 AWG | 15A | 300V |
| 22-14 AWG | 15A | 300V |

Ordering Information

No. of
Poles

Type Cat. No. Length L
mm (in.) Std. Pk.

Pin Header, US (Inch) Pole Spacing

| | | | | |
|----|------------|---------------|---------------|-----|
| 2 | AKZ1200/2 | 36.102 | 10.16 (.40) | 100 |
| 3 | AKZ1200/3 | 36.103 | 15.24 (.60) | 100 |
| 4 | AKZ1200/4 | 36.104 | 20.32 (.80) | 50 |
| 5 | AKZ1200/5 | 36.105 | 25.40 (1.00) | 50 |
| 6 | AKZ1200/6 | 36.106 | 30.48 (1.20) | 50 |
| 7 | AKZ1200/7 | 36.107 | 35.56 (1.40) | 30 |
| 8 | AKZ1200/8 | 36.108 | 40.64 (1.60) | 30 |
| 9 | AKZ1200/9 | 36.109 | 45.72 (1.80) | 30 |
| 10 | AKZ1200/10 | 36.110 | 50.80 (2.00) | 20 |
| 11 | AKZ1200/11 | 36.111 | 55.88 (2.20) | 20 |
| 12 | AKZ1200/12 | 36.112 | 60.98 (2.40) | 20 |
| 13 | AKZ1200/13 | 36.113 | 66.04 (2.60) | 20 |
| 14 | AKZ1200/14 | 36.114 | 71.14 (2.80) | 20 |
| 15 | AKZ1200/15 | 36.115 | 76.20 (3.00) | 20 |
| 16 | AKZ1200/16 | 36.116 | 81.28 (3.20) | 15 |
| 17 | AKZ1200/17 | 36.117 | 86.36 (3.40) | 15 |
| 18 | AKZ1200/18 | 36.118 | 91.44 (3.60) | 15 |
| 19 | AKZ1200/19 | 36.119 | 96.52 (3.80) | 15 |
| 20 | AKZ1200/20 | 36.120 | 101.60 (4.00) | 15 |
| 21 | AKZ1200/21 | 36.121 | 106.66 (4.20) | 10 |
| 22 | AKZ1200/22 | 36.122 | 111.76 (4.40) | 10 |
| 23 | AKZ1200/23 | 36.123 | 116.84 (4.60) | 10 |
| 24 | AKZ1200/24 | 36.124 | 121.92 (4.80) | 10 |

mm

in.

Dimensions

mm

in.

2.70 0.106
5.08 0.200
8.30 0.327

15.00 0.591
27.50 1.083



STANDARD PLUGGABLE PRINTED CIRCUIT US Pin Spacing^a Headers

Horizontal or vertical headers offer different wire entry options and enhance plug accessibility. Closed end headers help prevent misplugging.

- Multipole, Single Mold Construction
- Industry Standard Compatible
- Horizontal and Vertical
- Open and Closed Ends
- Housing Material: Polyamide 6.6
- Standard Color: Green^b

^aBlocks with metric pin spacing begin on page 132.

| |
|--------------------|
| Ratings |
| IEC/VDE |
| (File No. E101811) |
| (File No. LR68503) |

| Ordering Information | No. of Poles |
|-------------------------------|--------------|
| Header, US (Inch) Pin Spacing | 2 |
| | 3 |
| | 4 |
| | 5 |
| | 6 |
| | 7 |
| | 8 |
| | 9 |
| | 10 |
| | 11 |
| | 12 |
| | 13 |
| | 14 |
| | 15 |
| | 16 |
| | 17 |
| | 18 |
| | 19 |
| | 20 |
| | 21 |
| | 22 |
| | 23 |
| | 24 |



STLZ950-W Horizontal - Closed Ends

Pin Spacing 5.08mm (.200)

Use with AKZ950, BU02, BU04, AKZ1200 Plugs

| Type | Cat. No. | Length L mm (in.) | Std. Pk. |
|--------------|----------|-------------------|----------|
| STLZ950/2-w | 37.102 | 11.36 (.45) | 100 |
| STLZ950/3-w | 37.103 | 16.44 (.65) | 100 |
| STLZ950/4-w | 37.104 | 21.52 (.85) | 50 |
| STLZ950/5-w | 37.105 | 26.60 (1.05) | 50 |
| STLZ950/6-w | 37.106 | 31.68 (1.25) | 50 |
| STLZ950/7-w | 37.107 | 36.76 (1.45) | 30 |
| STLZ950/8-w | 37.108 | 41.84 (1.65) | 30 |
| STLZ950/9-w | 37.109 | 46.92 (1.85) | 30 |
| STLZ950/10-w | 37.110 | 52.00 (2.05) | 30 |
| STLZ950/11-w | 37.111 | 57.08 (2.25) | 20 |
| STLZ950/12-w | 37.112 | 62.16 (2.45) | 20 |
| STLZ950/13-w | 37.113 | 67.24 (2.65) | 20 |
| STLZ950/14-w | 37.114 | 72.32 (2.85) | 20 |
| STLZ950/15-w | 37.115 | 77.40 (3.05) | 20 |
| STLZ950/16-w | 37.116 | 82.48 (3.25) | 15 |
| STLZ950/17-w | 37.117 | 87.56 (3.45) | 15 |
| STLZ950/18-w | 37.118 | 92.64 (3.65) | 15 |
| STLZ950/19-w | 37.119 | 97.72 (3.85) | 15 |
| STLZ950/20-w | 37.120 | 102.80 (4.05) | 15 |
| STLZ950/21-w | 37.121 | 107.88 (4.25) | 10 |
| STLZ950/22-w | 37.122 | 112.96 (4.45) | 10 |
| STLZ950/23-w | 37.123 | 118.04 (4.65) | 10 |
| STLZ950/24-w | 37.124 | 123.13 (4.85) | 10 |



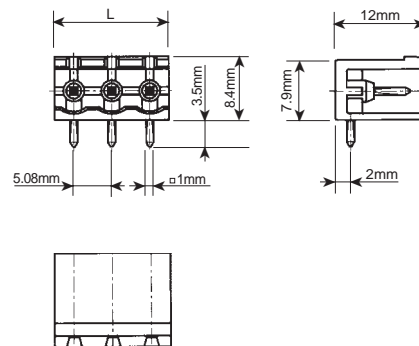
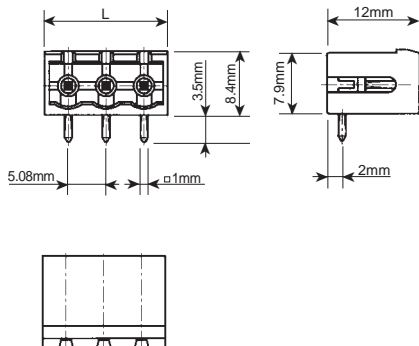
STLZ950-O Horizontal - Open Ends

Pin Spacing 5.08mm (.200)

Use with AKZ950, BU02, BU04, AKZ1200 Plugs

| Type | Cat. No. | Length L mm (in.) | Std. Pk. |
|--------------|----------|-------------------|----------|
| STLZ950/2-o | 37.452 | 10.08 (.40) | 100 |
| STLZ950/3-o | 37.453 | 15.16 (.60) | 100 |
| STLZ950/4-o | 37.454 | 20.24 (.80) | 50 |
| STLZ950/5-o | 37.455 | 25.32 (1.00) | 50 |
| STLZ950/6-o | 37.456 | 30.40 (1.20) | 50 |
| STLZ950/7-o | 37.457 | 35.48 (1.40) | 30 |
| STLZ950/8-o | 37.458 | 40.56 (1.60) | 30 |
| STLZ950/9-o | 37.459 | 45.64 (1.80) | 30 |
| STLZ950/10-o | 37.460 | 50.72 (2.00) | 30 |
| STLZ950/11-o | 37.461 | 55.80 (2.20) | 20 |
| STLZ950/12-o | 37.462 | 60.88 (2.40) | 20 |
| STLZ950/13-o | 37.463 | 65.96 (2.60) | 20 |
| STLZ950/14-o | 37.464 | 71.04 (2.80) | 20 |
| STLZ950/15-o | 37.465 | 76.12 (3.00) | 20 |
| STLZ950/16-o | 37.466 | 81.20 (3.20) | 15 |
| STLZ950/17-o | 37.467 | 86.28 (3.40) | 15 |
| STLZ950/18-o | 37.468 | 91.36 (3.60) | 15 |
| STLZ950/19-o | 37.469 | 96.44 (3.80) | 15 |
| STLZ950/20-o | 37.470 | 101.52 (4.00) | 15 |
| STLZ950/21-o | 37.471 | 106.60 (4.20) | 10 |
| STLZ950/22-o | 37.472 | 111.68 (4.40) | 10 |
| STLZ950/23-o | 37.473 | 116.76 (4.60) | 10 |
| STLZ950/24-o | 37.474 | 121.84 (4.80) | 10 |

| Dimensions | | | |
|------------|-------|-------|-------|
| mm | in. | mm | in. |
| 1.00 | 0.039 | 8.20 | 0.323 |
| 2.00 | 0.079 | 8.40 | 0.331 |
| 3.10 | 0.122 | 11.30 | 0.445 |
| 3.50 | 0.138 | 12.00 | 0.472 |
| 3.80 | 0.150 | 15.16 | 0.597 |
| 3.90 | 0.154 | 15.26 | 0.601 |
| 5.08 | 0.200 | 16.44 | 0.647 |
| 7.90 | 0.311 | 17.00 | 0.669 |



^bGray available, please consult Altech

Standoff foot for improved plug accessibility



STLZ11-O Horizontal - Open Ends

Pin Spacing 5.08mm (.200)

Use with AKZ950, BU02, BU04, AKZ1200 Plugs

| Current | Voltage |
|---------|---------|
| 12A | 250V |
| 15A | 300V |
| 15A | 300V |

| Type | Cat. No. | Length L mm (in.) | Std. Pk. |
|-------------|----------|-------------------|----------|
| STLZ11/2-o | 38.902 | 10.16 (.40) | 100 |
| STLZ11/3-o | 38.903 | 15.26 (.60) | 100 |
| STLZ11/4-o | 38.904 | 20.30 (.80) | 50 |
| STLZ11/5-o | 38.905 | 25.31 (1.00) | 50 |
| STLZ11/6-o | 38.906 | 30.35 (1.20) | 50 |
| STLZ11/7-o | 38.907 | 35.45 (1.40) | 30 |
| STLZ11/8-o | 38.908 | 40.79 (1.60) | 30 |
| STLZ11/9-o | 38.909 | 45.86 (1.80) | 30 |
| STLZ11/10-o | 38.910 | 50.80 (2.00) | 30 |



STLZ955-W Vertical - Closed Ends

Pin Spacing 5.08mm (.200)

Use with AKZ950, BU02, BU04, AKZ1200 Plugs

| Current | Voltage |
|---------|---------|
| 12A | 250V |
| 15A | 300V |
| 15A | 300V |

| Type | Cat. No. | Length L mm (in.) | Std. Pk. |
|--------------|----------|-------------------|----------|
| STLZ955/2-w | 37.202 | 11.36 (.45) | 100 |
| STLZ955/3-w | 37.203 | 16.44 (.65) | 100 |
| STLZ955/4-w | 37.204 | 21.52 (.85) | 50 |
| STLZ955/5-w | 37.205 | 26.60 (1.05) | 50 |
| STLZ955/6-w | 37.206 | 31.68 (1.25) | 50 |
| STLZ955/7-w | 37.207 | 36.76 (1.45) | 30 |
| STLZ955/8-w | 37.208 | 41.84 (1.65) | 30 |
| STLZ955/9-w | 37.209 | 46.92 (1.85) | 30 |
| STLZ955/10-w | 37.210 | 52.00 (2.05) | 30 |
| STLZ955/11-w | 37.211 | 57.08 (2.25) | 20 |
| STLZ955/12-w | 37.212 | 62.16 (2.45) | 20 |
| STLZ955/13-w | 37.213 | 67.24 (2.65) | 20 |
| STLZ955/14-w | 37.214 | 72.32 (2.85) | 20 |
| STLZ955/15-w | 37.215 | 77.40 (3.05) | 20 |
| STLZ955/16-w | 37.216 | 82.48 (3.25) | 15 |
| STLZ955/17-w | 37.217 | 87.56 (3.45) | 15 |
| STLZ955/18-w | 37.218 | 92.64 (3.65) | 15 |
| STLZ955/19-w | 37.219 | 97.72 (3.85) | 15 |
| STLZ955/20-w | 37.220 | 102.80 (4.05) | 15 |
| STLZ955/21-w | 37.221 | 107.88 (4.25) | 10 |
| STLZ955/22-w | 37.222 | 112.96 (4.45) | 10 |
| STLZ955/23-w | 37.223 | 118.04 (4.65) | 10 |
| STLZ955/24-w | 37.224 | 123.13 (4.85) | 10 |



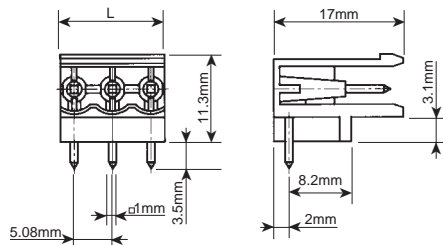
STLZ955-O Vertical - Open Ends

Pin Spacing 5.08mm (.200)

Use with AKZ950, BU02, BU04, AKZ1200 Plugs

| Current | Voltage |
|---------|---------|
| 12A | 250V |
| 15A | 300V |
| 15A | 300V |

| Type | Cat. No. | Length L mm (in.) | Std. Pk. |
|--------------|----------|-------------------|----------|
| STLZ955/2-o | 37.502 | 10.08 (.40) | 100 |
| STLZ955/3-o | 37.503 | 15.16 (.59) | 100 |
| STLZ955/4-o | 37.504 | 20.24 (.80) | 50 |
| STLZ955/5-o | 37.505 | 25.32 (1.00) | 50 |
| STLZ955/6-o | 37.506 | 30.40 (1.20) | 50 |
| STLZ955/7-o | 37.507 | 35.48 (1.40) | 30 |
| STLZ955/8-o | 37.508 | 40.56 (1.60) | 30 |
| STLZ955/9-o | 37.509 | 45.64 (1.80) | 30 |
| STLZ955/10-o | 37.510 | 50.72 (2.00) | 30 |
| STLZ955/11-o | 37.511 | 55.80 (2.20) | 20 |
| STLZ955/12-o | 37.512 | 60.88 (2.40) | 20 |
| STLZ955/13-o | 37.513 | 65.96 (2.60) | 20 |
| STLZ955/14-o | 37.514 | 71.04 (2.80) | 20 |
| STLZ955/15-o | 37.515 | 76.12 (3.00) | 20 |
| STLZ955/16-o | 37.516 | 81.20 (3.20) | 15 |
| STLZ955/17-o | 37.517 | 86.28 (3.40) | 15 |
| STLZ955/18-o | 37.518 | 91.36 (3.60) | 15 |
| STLZ955/19-o | 37.519 | 96.44 (3.80) | 15 |
| STLZ955/20-o | 37.520 | 101.52 (4.00) | 15 |
| STLZ955/21-o | 37.521 | 106.60 (4.20) | 10 |
| STLZ955/22-o | 37.522 | 111.68 (4.40) | 10 |
| STLZ955/23-o | 37.523 | 116.76 (4.60) | 10 |
| STLZ955/24-o | 37.524 | 121.84 (4.80) | 10 |



STANDARD PLUGGABLE PRINTED CIRCUIT US Pin Spacing^a Headers

The 45° header orientation facilitates plug insertion and removal in hard to access spaces.

Closed end headers prevent misplugging.

- Multipole, Single Mold Construction
- Industry Standard Compatible
- Open and Closed Ends
- Housing Material: Polyamide 6.6
- Standard Color: Green



STLZ990-W
Header
45° - Closed Ends

Pin Spacing 5.08mm (.200)

Use with AKZ950, BU02, BU04, AKZ1200 Plugs



STLZ990-O
Header
45° - Open Ends

Pin Spacing 5.08mm (.200)

Use with AKZ950, BU02, BU04, AKZ1200 Plugs

^aBlocks with metric pin spacing begin on page 132.

Ratings



| Current | Voltage |
|---------|---------|
| 12A | 250V |
| 15A | 300V |
| 15A | 300V |

| Current | Voltage |
|---------|---------|
| 12A | 250V |
| 15A | 300V |
| 15A | 300V |

| Ordering Information | | No. of Poles | Type | Cat. No. | Length L mm (in.) | Std. Pk. | Type | Cat. No. | Length L mm (in.) | Std. Pk. |
|-------------------------------|--|--------------|--------------|----------|-------------------|----------|--------------|----------|-------------------|----------|
| Header, US (Inch) Pin Spacing | | 2 | STLZ990/2-w | 37.652 | 11.36 (.45) | 100 | STLZ990/2-o | 37.752 | 10.20 (.40) | 100 |
| | | 3 | STLZ990/3-w | 37.653 | 16.44 (.65) | 100 | STLZ990/3-o | 37.753 | 15.29 (.60) | 100 |
| | | 4 | STLZ990/4-w | 37.654 | 21.52 (.85) | 50 | STLZ990/4-o | 37.754 | 20.37 (.80) | 50 |
| | | 5 | STLZ990/5-w | 37.655 | 26.60 (1.05) | 50 | STLZ990/5-o | 37.755 | 25.45 (1.00) | 50 |
| | | 6 | STLZ990/6-w | 37.656 | 31.68 (1.25) | 50 | STLZ990/6-o | 37.756 | 30.53 (1.20) | 50 |
| | | 7 | STLZ990/7-w | 37.657 | 36.76 (1.45) | 30 | STLZ990/7-o | 37.757 | 35.61 (1.40) | 30 |
| | | 8 | STLZ990/8-w | 37.658 | 41.84 (1.65) | 30 | STLZ990/8-o | 37.758 | 40.69 (1.60) | 30 |
| | | 9 | STLZ990/9-w | 37.659 | 46.92 (1.85) | 30 | STLZ990/9-o | 37.759 | 45.77 (2.00) | 30 |
| | | 10 | STLZ990/10-w | 37.660 | 52.00 (2.05) | 30 | STLZ990/10-o | 37.760 | 50.85 (2.00) | 30 |
| | | 11 | STLZ990/11-w | 37.661 | 57.08 (2.25) | 20 | STLZ990/11-o | 37.761 | 55.93 (2.20) | 20 |
| | | 12 | STLZ990/12-w | 37.662 | 62.16 (2.45) | 20 | STLZ990/12-o | 37.762 | 61.01 (2.40) | 20 |
| | | 13 | STLZ990/13-w | 37.663 | 67.24 (2.65) | 20 | STLZ990/13-o | 37.763 | 66.09 (2.60) | 20 |
| | | 14 | STLZ990/14-w | 37.664 | 72.32 (2.85) | 20 | STLZ990/14-o | 37.764 | 71.17 (2.80) | 20 |
| | | 15 | STLZ990/15-w | 37.665 | 77.40 (3.05) | 20 | STLZ990/15-o | 37.765 | 76.25 (3.00) | 20 |
| | | 16 | STLZ990/16-w | 37.666 | 82.48 (3.25) | 15 | STLZ990/16-o | 37.766 | 81.33 (3.20) | 15 |
| | | 17 | STLZ990/17-w | 37.667 | 87.56 (3.45) | 15 | STLZ990/17-o | 37.767 | 86.41 (3.40) | 15 |
| | | 18 | STLZ990/18-w | 37.668 | 92.64 (3.65) | 15 | STLZ990/18-o | 37.768 | 91.49 (3.60) | 15 |
| | | 19 | STLZ990/19-w | 37.669 | 97.72 (3.85) | 15 | STLZ990/19-o | 37.769 | 96.57 (3.80) | 15 |
| | | 20 | STLZ990/20-w | 37.670 | 102.80 (4.05) | 15 | STLZ990/20-o | 37.770 | 101.65 (4.00) | 15 |
| | | 21 | STLZ990/21-w | 37.671 | 107.88 (4.25) | 10 | STLZ990/21-o | 37.771 | 106.73 (4.20) | 10 |
| | | 22 | STLZ990/22-w | 37.672 | 112.96 (4.45) | 10 | STLZ990/22-o | 37.772 | 111.81 (4.40) | 10 |
| | | 23 | STLZ990/23-w | 37.673 | 118.04 (4.65) | 10 | STLZ990/23-o | 37.773 | 116.89 (4.60) | 10 |
| | | 24 | STLZ990/24-w | 37.674 | 123.13 (4.85) | 10 | STLZ990/24-o | 37.774 | 121.97 (4.80) | 10 |

| Dimensions | | | |
|------------|-------|-------|-------|
| mm | in. | mm | in. |
| 1.00 | 0.039 | 5.08 | 0.200 |
| 2.56 | 0.101 | 14.00 | 0.551 |
| 3.14 | 0.124 | 14.50 | 0.571 |
| 3.50 | 0.138 | 16.50 | 0.650 |
| 3.90 | 0.154 | | |



STANDARD PLUGGABLE PRINTED CIRCUIT US Pin Spacing^a Double Level Headers

Horizontal and vertical open end headers offer different wire entry options and enhance plug accessibility. Ideal for applications where board real estate is limited or where high density wiring is required.

- Multipole, Modular Construction
- High Density
- Horizontal or Vertical, Open Ends
- Housing Material: Polyamide 6.6
- Standard Color: Green

^aBlocks with metric pin spacing begin on page 132.



STLZ970-0
Header
Horizontal - Open Ends

Pin Spacing 5.08mm (.200)

Use with AKZ950, AKZ1200 Plugs



STLZ975-0
Header
Vertical - Open Ends

Pin Spacing 5.08mm (.200)

Use with AKZ950, AKZ1200 Plugs

Ratings
IEC/VDE
(File No. E101811)
(File No. LR68503)

Current
12A
15A
15A

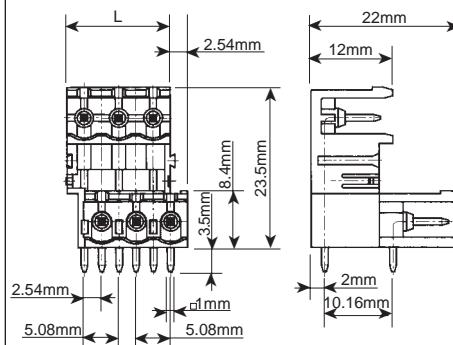
Voltage
250V
300V
300V

Current
12A
15A
15A

Voltage
250V
300V
300V

| Ordering Information | No. of Poles | Type | Cat. No. | Length L mm (in.) | Std. Pk. | Type | Cat. No. | Length L mm (in.) | Std. Pk. |
|---|--------------|--------------|----------|-------------------|----------|--------------|----------|-------------------|----------|
| Double Level Header, US (Inch) Pin Spacing | 4 | STLZ970/4-o | 37.854 | 12.26 (.48) | 60 | STLZ975/4-o | 37.804 | 12.26 (.48) | 60 |
| | 6 | STLZ970/6-o | 37.856 | 17.34 (.68) | 40 | STLZ975/6-o | 37.806 | 17.34 (.68) | 40 |
| | 8 | STLZ970/8-o | 37.858 | 22.42 (.88) | 30 | STLZ975/8-o | 37.808 | 22.42 (.88) | 30 |
| | 10 | STLZ970/10-o | 37.860 | 27.50 (1.08) | 24 | STLZ975/10-o | 37.810 | 27.50 (1.08) | 24 |
| | 12 | STLZ970/12-o | 37.862 | 32.58 (1.28) | 20 | STLZ975/12-o | 37.812 | 32.58 (1.28) | 20 |
| | 14 | STLZ970/14-o | 37.864 | 37.66 (1.48) | 17 | STLZ975/14-o | 37.814 | 37.66 (1.48) | 17 |
| | 16 | STLZ970/16-o | 37.866 | 42.74 (1.68) | 15 | STLZ975/16-o | 37.816 | 42.74 (1.68) | 15 |
| | 18 | STLZ970/18-o | 37.868 | 47.82 (1.88) | 13 | STLZ975/18-o | 37.818 | 47.82 (1.88) | 13 |
| | 20 | STLZ970/20-o | 37.870 | 52.90 (2.08) | 12 | STLZ975/20-o | 37.820 | 52.90 (2.08) | 12 |
| | 22 | STLZ970/22-o | 37.872 | 57.98 (2.28) | 11 | STLZ975/22-o | 37.822 | 57.98 (2.28) | 11 |
| | 24 | STLZ970/24-o | 37.874 | 63.06 (2.48) | 10 | STLZ975/24-o | 37.824 | 63.06 (2.48) | 10 |
| | 26 | STLZ970/26-o | 37.876 | 68.14 (2.68) | 9 | STLZ975/26-o | 37.826 | 68.14 (2.68) | 9 |
| | 28 | STLZ970/28-o | 37.878 | 73.22 (2.88) | 9 | STLZ975/28-o | 37.828 | 73.22 (2.88) | 9 |
| | 30 | STLZ970/30-o | 37.880 | 78.30 (3.08) | 8 | STLZ975/30-o | 37.830 | 78.30 (3.08) | 8 |
| | 32 | STLZ970/32-o | 37.882 | 83.38 (3.28) | 8 | STLZ975/32-o | 37.832 | 83.38 (3.28) | 8 |
| | 34 | STLZ970/34-o | 37.884 | 88.46 (3.48) | 7 | STLZ975/34-o | 37.834 | 88.46 (3.48) | 7 |
| | 36 | STLZ970/36-o | 37.886 | 93.54 (3.68) | 7 | STLZ975/36-o | 37.836 | 93.54 (3.68) | 7 |
| | 38 | STLZ970/38-o | 37.888 | 98.62 (3.88) | 6 | STLZ975/38-o | 37.838 | 98.62 (3.88) | 6 |
| | 40 | STLZ970/40-o | 37.890 | 103.70 (4.08) | 6 | STLZ975/40-o | 37.840 | 103.70 (4.08) | 6 |
| | 42 | STLZ970/42-o | 37.892 | 108.78 (4.28) | 6 | STLZ975/42-o | 37.842 | 108.78 (4.28) | 6 |
| | 44 | STLZ970/44-o | 37.894 | 113.86 (4.48) | 5 | STLZ975/44-o | 37.844 | 113.86 (4.48) | 5 |
| | 46 | STLZ970/46-o | 37.896 | 118.94 (4.68) | 5 | STLZ975/46-o | 37.846 | 118.94 (4.68) | 5 |
| | 48 | STLZ970/48-o | 37.898 | 124.02 (4.88) | 5 | STLZ975/48-o | 37.848 | 124.02 (4.88) | 5 |

| Dimensions | | | |
|------------|-------|-------|-------|
| mm | in. | mm | in. |
| 1.00 | 0.039 | 10.16 | 0.400 |
| 2.00 | 0.079 | 12.00 | 0.472 |
| 2.54 | 0.100 | 15.24 | 0.600 |
| 3.50 | 0.138 | 22.00 | 0.866 |
| 3.80 | 0.150 | 23.50 | 0.925 |
| 5.08 | 0.200 | | |
| 8.40 | 0.331 | | |



MAXI-PLUGGABLE PRINTED CIRCUIT US Pin Spacing^a Screw-Cage Clamp Plug

For standard industrial plug-in applications where multiple wire-to-board connections must be made quickly and simultaneously.

Reduce wiring mistakes, downtime and facilitate troubleshooting. Simply unplug defective board and plug in a new one.

- Multipole, Single Mold Construction
- Industry Standard Compatible
- Locking Tabs Prevent Unplugging
- Optional Keying Prevents Misplugging
- Housing Material: Polyamide 6.6
- Standard Color: Green



AKZ960 Plug

Wire Entry in Same Direction as Plug-In

Pole Spacing 7.62mm (.300)
Stripping Length 7mm (.276)
Screw Hole Diameter 4mm (.158)

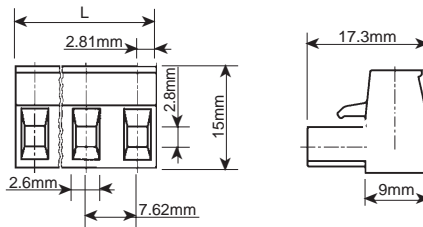
Use with STLZ960-W, STLZ965-W Headers

^aBlocks with metric pin spacing begin on page 132.

Ratings
IEC/VDE
UL (File No. E101811)
CSA (File No. LR68503)

| Wire Range | Current | Voltage |
|------------------------|---------|---------|
| 0.5-2.5mm ² | 12A | 400V |
| 22-12 AWG | 15A | 300V |
| 28-12 AWG | 16A | 300V |

| Ordering Information | No. of Poles | Type | Cat. No. | Length L mm (in.) | Std. Pk. |
|------------------------------|--------------|-----------|----------|----------------------|----------|
| Plug, US (Inch) Pole Spacing | 2 | AKZ960/2 | 38.002 | 13.27 (.52) | 100 |
| | 3 | AKZ960/3 | 38.003 | 20.86 (.82) | 100 |
| | 4 | AKZ960/4 | 38.004 | 28.48 (1.12) | 50 |
| | 5 | AKZ960/5 | 38.005 | 36.10 (1.42) | 50 |
| | 6 | AKZ960/6 | 38.006 | 43.72 (1.72) | 50 |
| | 7 | AKZ960/7 | 38.007 | 51.34 (2.02) | 30 |
| | 8 | AKZ960/8 | 38.008 | 58.96 (2.32) | 30 |
| | 9 | AKZ960/9 | 38.009 | 66.58 (2.62) | 30 |
| | 10 | AKZ960/10 | 38.010 | 74.20 (2.92) | 30 |
| | 11 | AKZ960/11 | 38.011 | 81.82 (3.22) | 20 |
| | 12 | AKZ960/12 | 38.012 | 89.44 (3.52) | 20 |
| | 13 | AKZ960/13 | 38.013 | 97.06 (3.82) | 20 |
| | 14 | AKZ960/14 | 38.014 | 104.68 (4.12) | 20 |
| | 15 | AKZ960/15 | 38.015 | 112.30 (4.42) | 20 |
| | 16 | AKZ960/16 | 38.016 | 119.92 (4.72) | 15 |



| mm | | in. | |
|------|-------|-------|-------|
| 2.60 | 0.102 | 9.00 | 0.354 |
| 2.80 | 0.110 | 15.00 | 0.591 |
| 2.81 | 0.111 | 17.30 | 0.681 |
| 7.62 | 0.300 | | |



MAXI-PLUGGABLE PRINTED CIRCUIT US Pin Spacing^a Headers

Horizontal or vertical headers offer different wire entry options and enhance plug accessibility. Closed end headers prevent misplugging.

- Multipole, Single Mold Construction
- Industry Standard Compatible
- Horizontal and Vertical, Closed Ends
- Housing Material: Polyamide 6.6
- Standard Color: Green

Ratings
IEC/VDE
UL (File No. E101811)
CS (File No. LR68503)

| Ordering Information | | No. of Poles | Type | Cat. No. | Length L mm (in.) | Std. Pk. | Type | Cat. No. | Length L mm (in.) | Std. |
|-------------------------------|--|--------------|--------------|----------|----------------------|----------|--------------|----------|----------------------|------|
| Header, US (Inch) Pin Spacing | | 2 | STLZ960/2-w | 38.102 | 15.24 (.60) | 100 | STLZ965/2-w | 38.202 | 15.24 (.60) | 100 |
| | | 3 | STLZ960/3-w | 38.103 | 22.86 (.90) | 100 | STLZ965/3-w | 38.203 | 22.86 (.90) | 100 |
| | | 4 | STLZ960/4-w | 38.104 | 30.48 (1.20) | 50 | STLZ965/4-w | 38.204 | 30.48 (1.20) | 50 |
| | | 5 | STLZ960/5-w | 38.105 | 38.10 (1.50) | 50 | STLZ965/5-w | 38.205 | 38.10 (1.50) | 50 |
| | | 6 | STLZ960/6-w | 38.106 | 45.72 (1.80) | 50 | STLZ965/6-w | 38.206 | 45.72 (1.80) | 50 |
| | | 7 | STLZ960/7-w | 38.107 | 53.34 (2.10) | 30 | STLZ965/7-w | 38.207 | 53.34 (2.10) | 30 |
| | | 8 | STLZ960/8-w | 38.108 | 60.96 (2.40) | 30 | STLZ965/8-w | 38.208 | 60.96 (2.40) | 30 |
| | | 9 | STLZ960/9-w | 38.109 | 68.58 (2.70) | 30 | STLZ965/9-w | 38.209 | 68.58 (2.70) | 30 |
| | | 10 | STLZ960/10-w | 38.110 | 76.20 (3.00) | 30 | STLZ965/10-w | 38.210 | 76.20 (3.00) | 30 |
| | | 11 | STLZ960/11-w | 38.111 | 83.82 (3.30) | 20 | STLZ965/11-w | 38.211 | 83.82 (3.30) | 20 |
| | | 12 | STLZ960/12-w | 38.112 | 91.44 (3.60) | 20 | STLZ965/12-w | 38.212 | 91.44 (3.60) | 20 |
| | | 13 | STLZ960/13-w | 38.113 | 99.06 (3.90) | 20 | STLZ965/13-w | 38.213 | 99.06 (3.90) | 20 |
| | | 14 | STLZ960/14-w | 38.114 | 106.68 (4.20) | 20 | STLZ965/14-w | 38.214 | 106.68 (4.20) | 20 |
| | | 15 | STLZ960/15-w | 38.115 | 114.30 (4.50) | 20 | STLZ965/15-w | 38.215 | 114.30 (4.50) | 20 |
| | | 16 | STLZ960/16-w | 38.116 | 121.92 (4.80) | 15 | STLZ965/16-w | 38.216 | 121.92 (4.80) | 15 |

| Dimensions | | | |
|------------|-------|-------|-------|
| mm | in. | mm | in. |
| 1.00 | 0.390 | 3.90 | 0.015 |
| 2.00 | 0.079 | 7.62 | 0.300 |
| 3.50 | 0.138 | 7.90 | 0.311 |
| 3.80 | 0.150 | 8.40 | 0.331 |
| 3.81 | 0.150 | 12.00 | 0.472 |



STLZ960-W

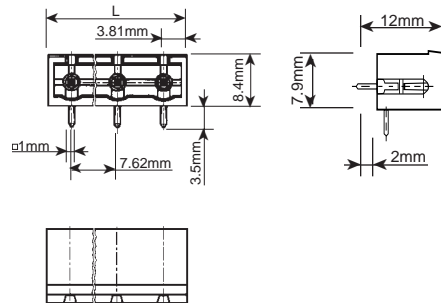
Horizontal Header - Closed Ends

Pin Spacing 7.62mm (.300)

Use with AKZ960 Plug

| Current | Voltage |
|---------|---------|
| 12A | 400V |
| 15A | 300V |
| 16A | 300V |

| Type | Cat. No. | Length L mm (in.) | Std. Pk. |
|--------------|----------|----------------------|----------|
| STLZ960/2-w | 38.102 | 15.24 (.60) | 100 |
| STLZ960/3-w | 38.103 | 22.86 (.90) | 100 |
| STLZ960/4-w | 38.104 | 30.48 (1.20) | 50 |
| STLZ960/5-w | 38.105 | 38.10 (1.50) | 50 |
| STLZ960/6-w | 38.106 | 45.72 (1.80) | 50 |
| STLZ960/7-w | 38.107 | 53.34 (2.10) | 30 |
| STLZ960/8-w | 38.108 | 60.96 (2.40) | 30 |
| STLZ960/9-w | 38.109 | 68.58 (2.70) | 30 |
| STLZ960/10-w | 38.110 | 76.20 (3.00) | 30 |
| STLZ960/11-w | 38.111 | 83.82 (3.30) | 20 |
| STLZ960/12-w | 38.112 | 91.44 (3.60) | 20 |
| STLZ960/13-w | 38.113 | 99.06 (3.90) | 20 |
| STLZ960/14-w | 38.114 | 106.68 (4.20) | 20 |
| STLZ960/15-w | 38.115 | 114.30 (4.50) | 20 |
| STLZ960/16-w | 38.116 | 121.92 (4.80) | 15 |



STLZ965-W

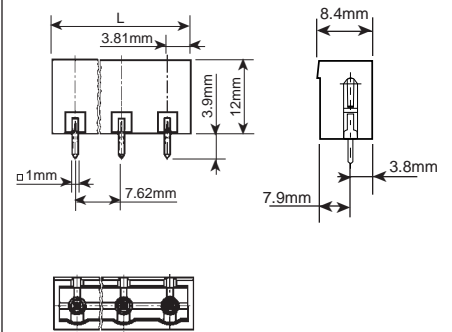
Vertical Header - Closed Ends

Pin Spacing 7.62mm (.300)

Use with AKZ960 Plug

| Current | Voltage |
|---------|---------|
| 12A | 400V |
| 15A | 300V |
| 16A | 300V |

| Type | Cat. No. | Length L mm (in.) | Std. |
|--------------|----------|----------------------|------|
| STLZ965/2-w | 38.202 | 15.24 (.60) | 100 |
| STLZ965/3-w | 38.203 | 22.86 (.90) | 100 |
| STLZ965/4-w | 38.204 | 30.48 (1.20) | 50 |
| STLZ965/5-w | 38.205 | 38.10 (1.50) | 50 |
| STLZ965/6-w | 38.206 | 45.72 (1.80) | 50 |
| STLZ965/7-w | 38.207 | 53.34 (2.10) | 30 |
| STLZ965/8-w | 38.208 | 60.96 (2.40) | 30 |
| STLZ965/9-w | 38.209 | 68.58 (2.70) | 30 |
| STLZ965/10-w | 38.210 | 76.20 (3.00) | 30 |
| STLZ965/11-w | 38.211 | 83.82 (3.30) | 20 |
| STLZ965/12-w | 38.212 | 91.44 (3.60) | 20 |
| STLZ965/13-w | 38.213 | 99.06 (3.90) | 20 |
| STLZ965/14-w | 38.214 | 106.68 (4.20) | 20 |
| STLZ965/15-w | 38.215 | 114.30 (4.50) | 20 |
| STLZ965/16-w | 38.216 | 121.92 (4.80) | 15 |



Компания «Океан Электроники» предлагает заключение долгосрочных отношений при поставках импортных электронных компонентов на взаимовыгодных условиях!

Наши преимущества:

- Поставка оригинальных импортных электронных компонентов напрямую с производств Америки, Европы и Азии, а так же с крупнейших складов мира;
- Широкая линейка поставок активных и пассивных импортных электронных компонентов (более 30 млн. наименований);
- Поставка сложных, дефицитных, либо снятых с производства позиций;
- Оперативные сроки поставки под заказ (от 5 рабочих дней);
- Экспресс доставка в любую точку России;
- Помощь Конструкторского Отдела и консультации квалифицированных инженеров;
- Техническая поддержка проекта, помощь в подборе аналогов, поставка прототипов;
- Поставка электронных компонентов под контролем ВП;
- Система менеджмента качества сертифицирована по Международному стандарту ISO 9001;
- При необходимости вся продукция военного и аэрокосмического назначения проходит испытания и сертификацию в лаборатории (по согласованию с заказчиком);
- Поставка специализированных компонентов военного и аэрокосмического уровня качества (Xilinx, Altera, Analog Devices, Intersil, Interpoint, Microsemi, Actel, Aeroflex, Peregrine, VPT, Syfer, Eurofarad, Texas Instruments, MS Kennedy, Miteq, Cobham, E2V, MA-COM, Hittite, Mini-Circuits, General Dynamics и др.);

Компания «Океан Электроники» является официальным дистрибьютором и эксклюзивным представителем в России одного из крупнейших производителей разъемов военного и аэрокосмического назначения «JONHON», а так же официальным дистрибьютором и эксклюзивным представителем в России производителя высокотехнологичных и надежных решений для передачи СВЧ сигналов «FORSTAR».



JONHON

«JONHON» (основан в 1970 г.)

Разъемы специального, военного и аэрокосмического назначения:

(Применяются в военной, авиационной, аэрокосмической, морской, железнодорожной, горно- и нефтедобывающей отраслях промышленности)

«FORSTAR» (основан в 1998 г.)

ВЧ соединители, коаксиальные кабели, кабельные сборки и микроволновые компоненты:

(Применяются в телекоммуникациях гражданского и специального назначения, в средствах связи, РЛС, а так же военной, авиационной и аэрокосмической отраслях промышленности).



Телефон: 8 (812) 309-75-97 (многоканальный)

Факс: 8 (812) 320-03-32

Электронная почта: ocean@oceanchips.ru

Web: <http://oceanchips.ru/>

Адрес: 198099, г. Санкт-Петербург, ул. Калинина, д. 2, корп. 4, лит. А