

HPC104N (11.5x10x4)

SMD, Magnetically Shielded Power Inductor

HALO
ELECTRONICS, INC.



Product Features:

- Designed for switch mode power supplies
- Ideal for real estate sensitive applications such as cell phones and disc drives.
- Magnetically shielded design minimizes flux interferences.
- Available in tape and reel packaging.
- Please contact your representative for custom designs.

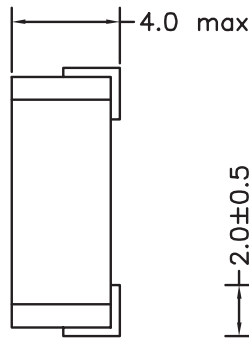
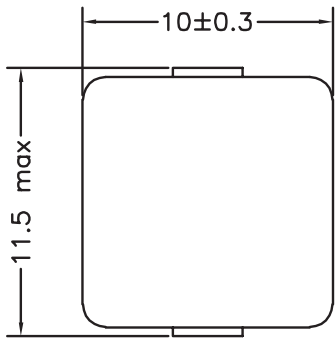
| Part Number | Inductance (μH) ² | DCR (mΩ) TYP | DCR (mΩ) MAX | Heat Rating Current (ADC) ³ | Saturation Current (ADC) ⁴ | Lead Width ±0.5 |
|----------------|------------------------------|--------------|--------------|--|---------------------------------------|-----------------|
| HPC104N-R22MTR | 0.22 | 0.9 | 1.1 | 35 | 54 | 3.0 |
| HPC104N-R36MTR | 0.36 | 1.0 | 1.3 | 34 | 41 | 3.0 |
| HPC104N-R47MTR | 0.47 | 1.4 | 1.5 | 28 | 36 | 3.0 |
| HPC104N-R56MTR | 0.56 | 1.5 | 1.8 | 25 | 34 | 3.0 |
| HPC104N-R68MTR | 0.68 | 2.4 | 2.7 | 20 | 32 | 3.0 |
| HPC104N-R88MTR | 0.88 | 2.1 | 2.4 | 21 | 32 | 3.0 |
| HPC104N-1R0MTR | 1.0 | 3 | 3.3 | 19 | 26 | 3.0 |
| HPC104N-1R5MTR | 1.5 | 3.8 | 4.2 | 16 | 20 | 3.0 |
| HPC104N-2R2MTR | 2.2 | 6.6 | 7 | 12 | 18 | 1.8 |
| HPC104N-3R3MTR | 3.3 | 9.5 | 13 | 10 | 14 | 1.8 |
| HPC104N-4R7MTR | 4.7 | 13 | 15.5 | 9 | 12 | 1.8 |
| HPC104N-5R6MTR | 5.6 | 18.4 | 20 | 7 | 12 | 1.8 |
| HPC104N-6R8MTR | 6.8 | 20 | 22 | 7 | 11 | 1.8 |
| HPC104N-8R2MTR | 8.2 | 23.2 | 25.5 | 7 | 10 | 1.8 |
| HPC104N-10RMTR | 10.0 | 32.1 | 35 | 5 | 9 | 1.8 |

Notes:

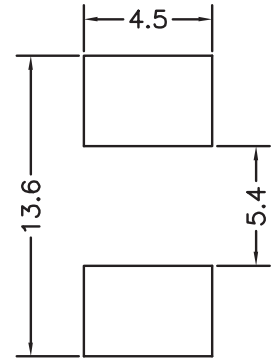
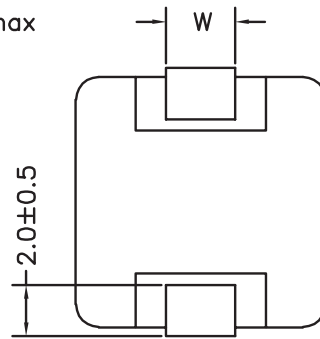
1. Operating Temperature: -55°C to +125°C
2. Inductance tolerance (100kHz, 0.25V, 0ADC): ±20%
3. DC current that will cause approximate 40°C rise in temperature
4. DC current that will cause inductance (L) drop by 20% from nominal
5. Part temperature (ambient + temp rise) should not exceed 125°C under worst case operating conditions
6. Frequency range up to 1.0 MHz

HPC104N (11.5x10x4)

Package Dimensions (mm)



See product table for W dimension

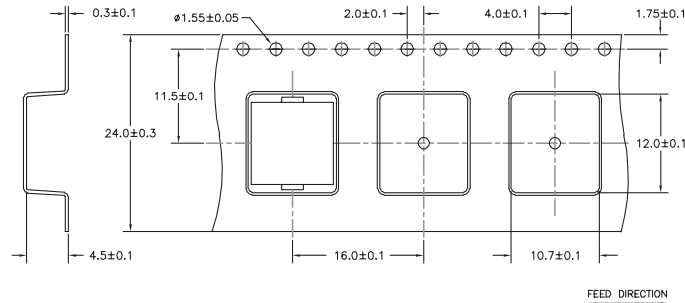


Tape & Reel Specifications

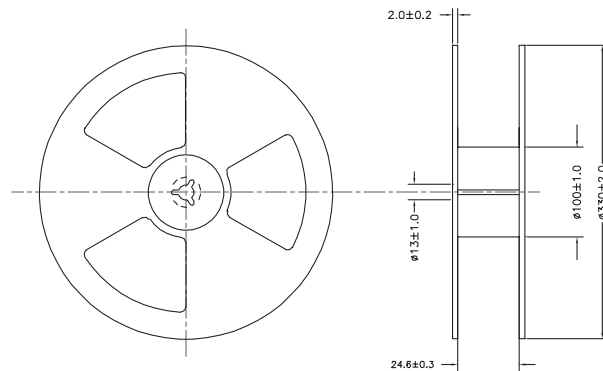
HPC104N-

700 PARTS PER REEL

CARRIER TAPE DIMENSIONS (mm)



REEL DIMENSIONS (mm)



2880 Lakeside Drive #116
 Santa Clara, CA 95054
 (650) 903-3800
www.haloelectronics.com

HALO® Electronics is a leading supplier of high quality communication magnetics including signal transformers, filters, CMR chokes, PoE power transformers, DC/DC converters, and integrated Ethernet connectors. HALO's leading edge technology solutions are manufactured in ISO9001 and ISO14001 factories offering high quality products at a competitive price.

HPC073N (7.5x6.5x3)

SMD, Magnetically Shielded Power Inductor

HALO
ELECTRONICS, INC.



Product Features:

- Designed for switch mode power supplies
- Ideal for real estate sensitive applications such as cell phones and disc drives.
- Magnetically shielded design minimizes flux interferences.
- Available in tape and reel packaging.
- Please contact your representative for custom designs.

| Part Number | Inductance (μ H) ² | DCR (m Ω) | | Heat Rating Current (ADC) ³ | Saturation Current (ADC) ⁴ |
|----------------|---------------------------------------|-------------------|-----|---|--|
| | | TYP | MAX | | |
| HPC073N-R22MTR | 0.22 | 2.3 | 2.7 | 20 | 34 |
| HPC073N-R33MTR | 0.33 | 2.8 | 3.4 | 18 | 22 |
| HPC073N-R36MTR | 0.36 | 2.8 | 3.4 | 18 | 22 |
| HPC073N-R47MTR | 0.47 | 3.7 | 4.4 | 17 | 20 |
| HPC073N-R56MTR | 0.56 | 3.8 | 4.5 | 16 | 17 |
| HPC073N-R68MTR | 0.68 | 4.5 | 5 | 14 | 17 |
| HPC073N-R82MTR | 0.82 | 5.8 | 6.1 | 13 | 17 |
| HPC073N-1R0MTR | 1.0 | 6.3 | 7 | 12 | 15 |
| HPC073N-1R5MTR | 1.5 | 8 | 10 | 11 | 13 |
| HPC073N-2R2MTR | 2.2 | 17.5 | 19 | 7 | 11 |
| HPC073N-3R3MTR | 3.3 | 20 | 24 | 7 | 9 |
| HPC073N-4R7MTR | 4.7 | 26 | 29 | 5.3 | 7 |
| HPC073N-5R6MTR | 5.6 | 38 | 40 | 4.5 | 6 |
| HPC073N-6R8MTR | 6.8 | 40 | 42 | 4.5 | 5.5 |
| HPC073N-8R2MTR | 8.2 | 42 | 45 | 4.2 | 5 |

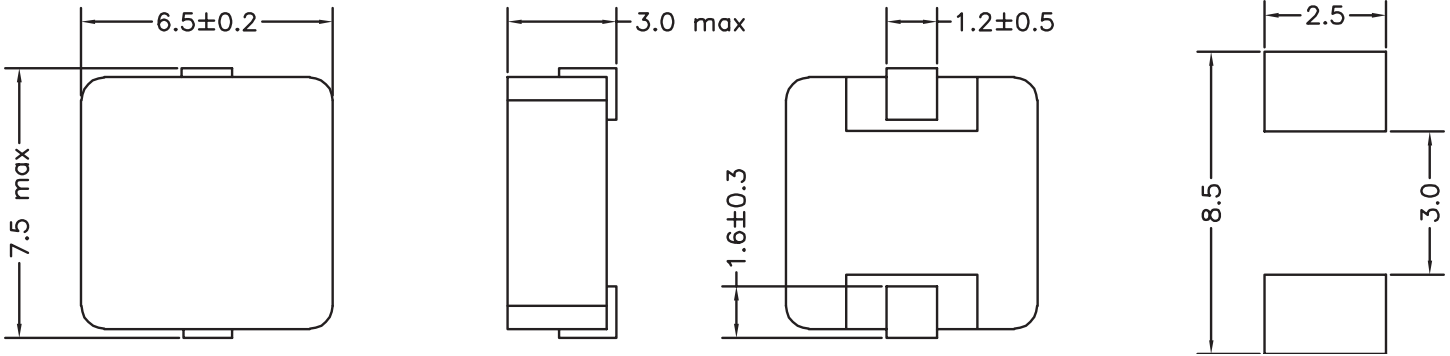
Notes:

1. Operating Temperature: -55°C to +125°C
2. Inductance tolerance (100kHz, 0.25V, 0ADC): \pm 20%
3. DC current that will cause approximate 40°C rise in temperature
4. DC current that will cause inductance (L) drop by 20% from nominal
5. Part temperature (ambient + temp rise) should not exceed 125°C under worst case operating conditions
6. Frequency range up to 1.0 MHz

HPC073N (7.5x6.5x3)

Package Dimensions (mm)

Recommended Solder Pad

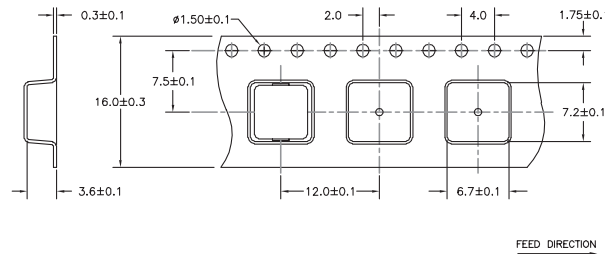


Tape & Reel Specifications

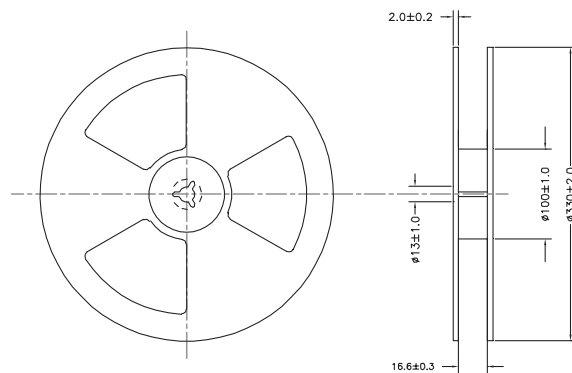
HPC073N-

1000 PARTS PER REEL

CARRIER TAPE DIMENSIONS (mm)



REEL DIMENSIONS (mm)



2880 Lakeside Drive #116
 Santa Clara, CA 95054
 (650) 903-3800
www.haloelectronics.com

HALO® Electronics is a leading supplier of high quality communication magnetics including signal transformers, filters, CMR chokes, PoE power transformers, DC/DC converters, and integrated Ethernet connectors. HALO's leading edge technology solutions are manufactured in ISO9001 and ISO14001 factories offering high quality products at a competitive price.

HPC042N (4.8x4x2)

SMD, Magnetically Shielded Power Inductor

HALO
ELECTRONICS, INC.



Product Features:

- Designed for switch mode power supplies
- Ideal for real estate sensitive applications such as cell phones and disc drives.
- Magnetically shielded design minimizes flux interferences.
- Available in tape and reel packaging.
- Please contact your representative for custom designs.

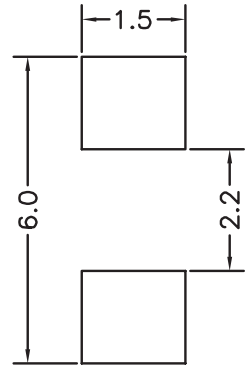
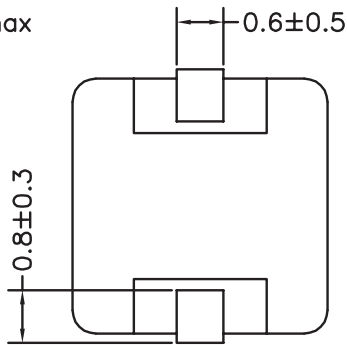
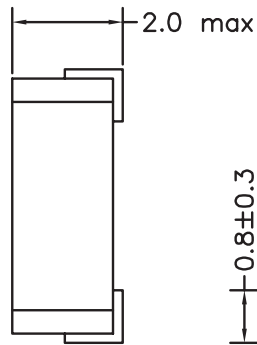
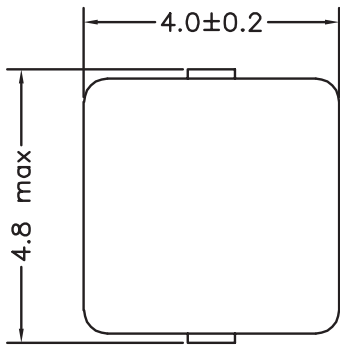
| Part Number | Inductance (μH) ² | DCR (m Ω) | | Heat Rating Current (ADC) ³ | Saturation Current (ADC) ⁴ |
|----------------|--|-------------------|------|---|--|
| | | TYP | MAX | | |
| HPC042N-R22MTR | 0.22 | 7.8 | 9.3 | 9 | 14 |
| HPC042N-R36MTR | 0.36 | 9.5 | 12 | 8 | 11 |
| HPC042N-R47MTR | 0.47 | 10 | 13 | 7 | 10 |
| HPC042N-R56MTR | 0.56 | 11.8 | 13.5 | 7 | 8 |
| HPC042N-R68MTR | 0.68 | 13.5 | 16 | 6.3 | 7 |
| HPC042N-R82MTR | 0.82 | 16 | 18 | 5.5 | 6.5 |
| HPC042N-R88MTR | 0.88 | 16 | 18 | 5.5 | 6.5 |
| HPC042N-1R0MTR | 1.0 | 18 | 21.6 | 5 | 6 |
| HPC042N-1R2MTR | 1.2 | 19 | 22 | 5 | 5 |
| HPC042N-1R5MTR | 1.5 | 22 | 26 | 5 | 5 |
| HPC042N-2R2MTR | 2.2 | 33 | 40 | 4.5 | 5 |
| HPC042N-3R3MTR | 3.3 | 42 | 48 | 3.6 | 4.3 |
| HPC042N-4R7MTR | 4.7 | 68 | 75 | 2.7 | 4 |

Notes:

1. Operating Temperature: -55°C to +125°C
2. Inductance tolerance (100kHz, 0.25V, 0ADC): $\pm 20\%$
3. DC current that will cause approximate 40°C rise in temperature
4. DC current that will cause inductance (L) drop by 20% from nominal
5. Part temperature (ambient + temp rise) should not exceed 125°C under worst case operating conditions
6. Frequency range up to 1.0 MHz

HPC042N (4.8x4x2)

Package Dimensions (mm)



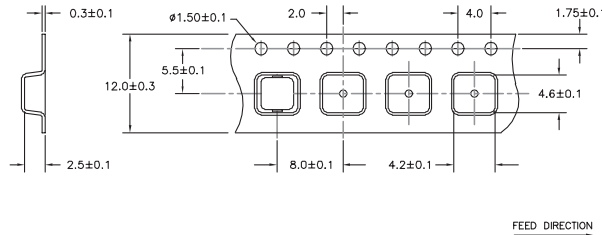
Recommended Solder Pad

Tape & Reel Specifications

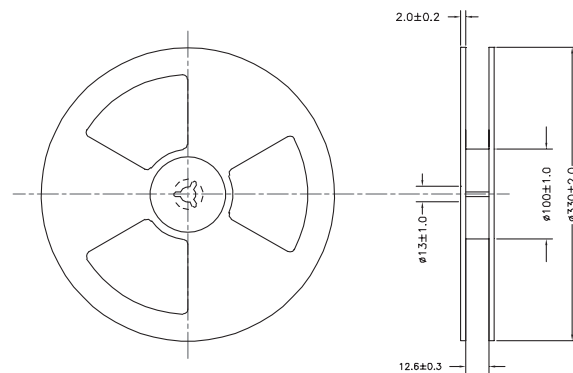
HPC042N-

2000 PARTS PER REEL

CARRIER TAPE DIMENSIONS (mm)



REEL DIMENSIONS (mm)



2880 Lakeside Drive #116
 Santa Clara, CA 95054
 (650) 903-3800
www.haloelectronics.com

HALO® Electronics is a leading supplier of high quality communication magnetics including signal transformers, filters, CMR chokes, PoE power transformers, DC/DC converters, and integrated Ethernet connectors. HALO's leading edge technology solutions are manufactured in ISO9001 and ISO14001 factories offering high quality products at a competitive price.

Компания «Океан Электроники» предлагает заключение долгосрочных отношений при поставках импортных электронных компонентов на взаимовыгодных условиях!

Наши преимущества:

- Поставка оригинальных импортных электронных компонентов напрямую с производств Америки, Европы и Азии, а так же с крупнейших складов мира;
- Широкая линейка поставок активных и пассивных импортных электронных компонентов (более 30 млн. наименований);
- Поставка сложных, дефицитных, либо снятых с производства позиций;
- Оперативные сроки поставки под заказ (от 5 рабочих дней);
- Экспресс доставка в любую точку России;
- Помощь Конструкторского Отдела и консультации квалифицированных инженеров;
- Техническая поддержка проекта, помощь в подборе аналогов, поставка прототипов;
- Поставка электронных компонентов под контролем ВП;
- Система менеджмента качества сертифицирована по Международному стандарту ISO 9001;
- При необходимости вся продукция военного и аэрокосмического назначения проходит испытания и сертификацию в лаборатории (по согласованию с заказчиком);
- Поставка специализированных компонентов военного и аэрокосмического уровня качества (Xilinx, Altera, Analog Devices, Intersil, Interpoint, Microsemi, Actel, Aeroflex, Peregrine, VPT, Syfer, Eurofarad, Texas Instruments, MS Kennedy, Miteq, Cobham, E2V, MA-COM, Hittite, Mini-Circuits, General Dynamics и др.);

Компания «Океан Электроники» является официальным дистрибьютором и эксклюзивным представителем в России одного из крупнейших производителей разъемов военного и аэрокосмического назначения «JONHON», а так же официальным дистрибьютором и эксклюзивным представителем в России производителя высокотехнологичных и надежных решений для передачи СВЧ сигналов «FORSTAR».



JONHON

«JONHON» (основан в 1970 г.)

Разъемы специального, военного и аэрокосмического назначения:

(Применяются в военной, авиационной, аэрокосмической, морской, железнодорожной, горно- и нефтедобывающей отраслях промышленности)

«FORSTAR» (основан в 1998 г.)

ВЧ соединители, коаксиальные кабели, кабельные сборки и микроволновые компоненты:

(Применяются в телекоммуникациях гражданского и специального назначения, в средствах связи, РЛС, а так же военной, авиационной и аэрокосмической отраслях промышленности).



Телефон: 8 (812) 309-75-97 (многоканальный)

Факс: 8 (812) 320-03-32

Электронная почта: ocean@oceanchips.ru

Web: <http://oceanchips.ru/>

Адрес: 198099, г. Санкт-Петербург, ул. Калинина, д. 2, корп. 4, лит. А