

# FLUKE®

# 715

## Volt/mA Calibrator

### Instruction Sheet

#### Introduction

The Fluke 715 Volt/mA Calibrator is a source and measurement tool for 0 to 24 mA current loop testing and dc voltage from 0 to 20/25 V. The calibrator does not source and measure simultaneously.

Your calibrator is supplied with a holster, a set of test leads, an installed 9 V alkaline battery, and this instruction sheet.

**Summary of Calibrator Capabilities**

Function	Range	Resolution
dc mV input	0 to 200 mV	0.01 mV
dc mV output		
dc V input	0 to 25 V	0.001 V
dc V output	0 to 20 V	
dc mA input	0 to 24 mA	0.001 mA
dc mA output		
Loop power output	24 V dc output	N/A

If the calibrator is damaged or something is missing, contact the place of purchase immediately. Contact your Fluke distributor for information about accessories. To order replacement parts or spares, see "Replacement Parts."

To contact Fluke, call one of the following telephone numbers:

USA and Canada: 1-888-99-FLUKE (1-888-993-5853)

Europe: +31 402-675-200

Japan: +81-3-3434-0181

Singapore: +65-\*-276-6196

Anywhere in the world: +1-425-356-5500

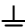
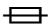





Address correspondence to:

Fluke Corporation  
P.O. Box 9090,  
Everett, WA 98206-9090  
U.S.A.

Fluke Europe B.V.  
P.O. Box 1186,  
5602 BD Eindhoven  
The Netherlands

Visit us on the World Wide Web at: [www.fluke.com](http://www.fluke.com)

### International Symbols

Symbol	Meaning
	Earth ground
	Fuse
	Battery
	Refer to this instruction sheet for information about this feature.
	Double insulated
	Conforms to relevant Canadian Standards Association directives.
	Conforms to European Union directives

## ***Safety Information***

Use the calibrator only as specified in this sheet, otherwise the protection provided by the calibrator may be impaired.

A **Warning** identifies conditions and actions that pose hazard(s) to the user; a **Caution** identifies conditions and actions that may damage the calibrator or the equipment under test.

### **⚠ Warning**

**To avoid possible electric shock or personal injury:**

- **Never apply more than 30 V between any two jacks (terminals), or between any jack and earth ground.**
- **Make sure the battery door is closed and latched before you operate the calibrator.**
- **Remove test leads from the calibrator before you open the battery door.**
- **Do not operate calibrator if it is damaged.**
- **Do not operate the calibrator around explosive gas, vapor, or dust.**
- **When servicing the calibrator, use only specified replacement parts.**

### **Caution**

**Use the proper jacks, function, and range for your measurement or output application.**

## ***Turning the Calibrator On***

Press the green © pushbutton to turn the calibrator on and off.

For longest battery life:

- For mA output, use current simulate mode instead of source mode when an external 24 to 30 V loop power supply is available. (See Simulating a Transmitter.)
- Turn off the calibrator when not in use.

## ***Auto Shut-Off (Power Saver) Feature***

The Calibrator automatically turns off after 30 minutes of inactivity. To reduce this time or disable this feature:

1. With the Calibrator OFF, press the  $\text{Ⓢ}$  key. **P.S.xx** is displayed, where **xx** is the turn-off time in minutes. **OFF** means the power saver is disabled.
2. Press  $\text{▲}$  and/or  $\text{▼}$  to increase or decrease the turn-off time in minutes.
3. To disable, press  $\text{▼}$  until the display shows **OFF**.

## **HART™ Resistor Mode**

The calibrator has a user selectable 250 ohm HART™ resistor to facilitate use with HART™ communication devices. The resistor can be switched in/out at any time by simultaneously pressing the  $\text{V}$ / $\text{mV}$  and  $\text{mA}$ / $\%$  keys. Use a HART™ communicator when measuring dc mA with loop power or sourcing mA.

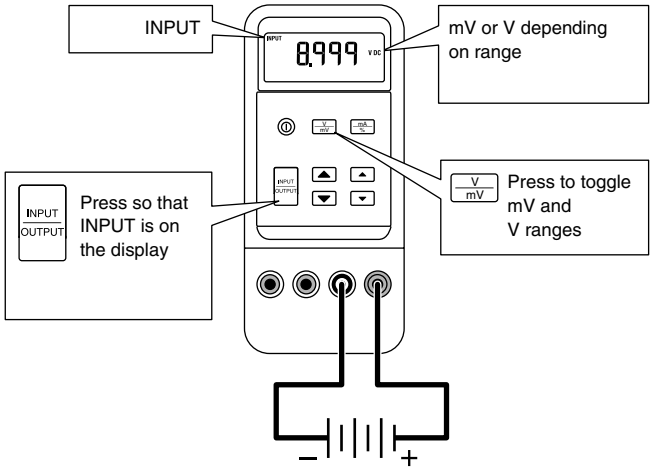
## **Span Check Feature**

The calibrator allows the users to store 0% and 100% setpoints for each output function. Once setpoints are stored, the span check feature allows the user to quickly toggle back and forth from 0% to 100% or to step in 25% increments.

Automatic step and ramp modes can be enabled while in the span check mode by simultaneously pressing the  $\text{▲}$   $\text{▼}$  keys. First select the desired output mode (V,mV or mA) then precede to store the setpoints:

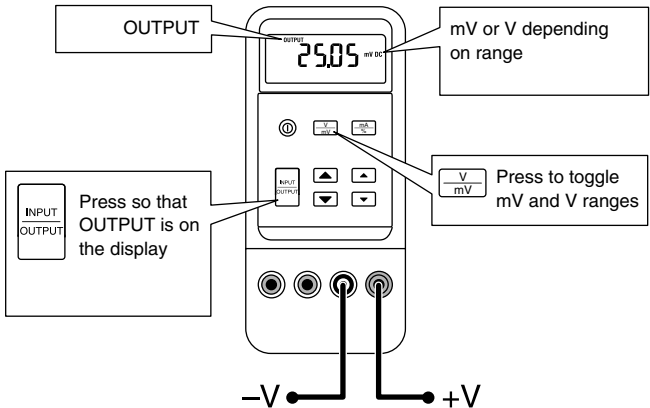
1. Storing 0% and 100% Setpoints
2. Using the  $\text{▲}$   $\text{▼}$  controls set the output to the desired output value for 0%.
3. Press the  $\text{▲}$   $\text{▼}$  scroll keys simultaneously to store the 0% value.
4. Now using the  $\text{▲}$   $\text{▼}$  controls set the output to the desired output value for 100%
5. Again, press the  $\text{▲}$   $\text{▼}$  scroll keys simultaneously to store the 100% value.

## Measuring dc Volts



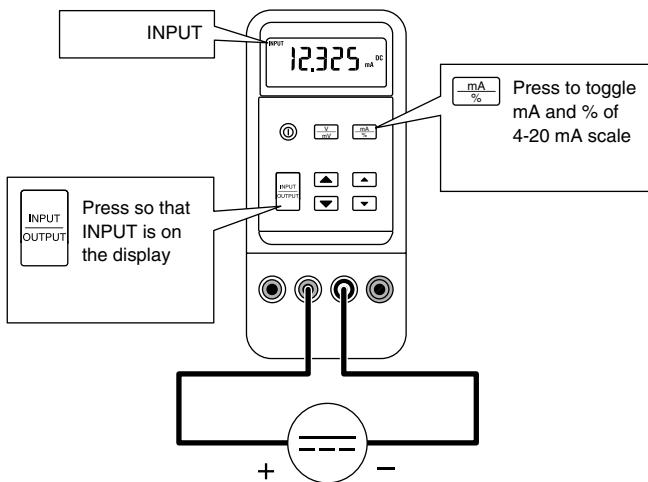
it01i.eps

## Sourcing dc Volts

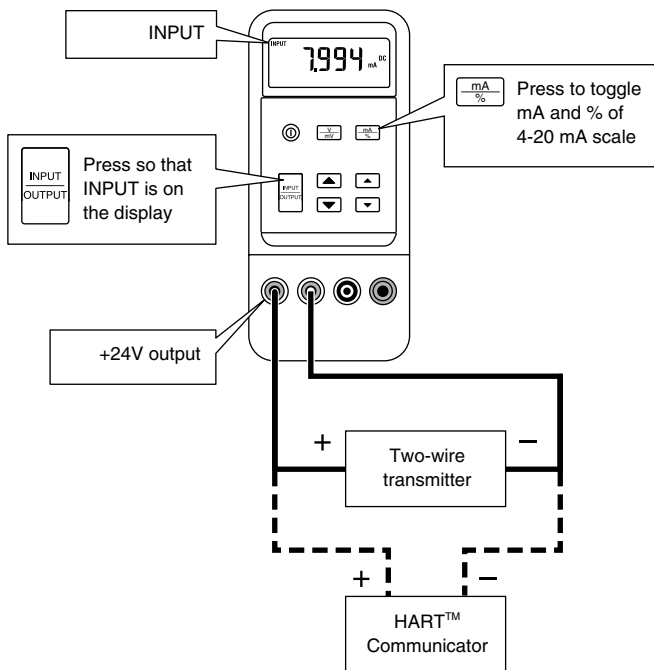


it02i.eps

## Measuring dc mA



# Measuring dc mA with Loop Power



## Using the Current Output Modes

The calibrator provides current output in mA or percent display. Percent is -25.00 to 125.00%, where 0% is 4 mA, and 100% is 20 mA.

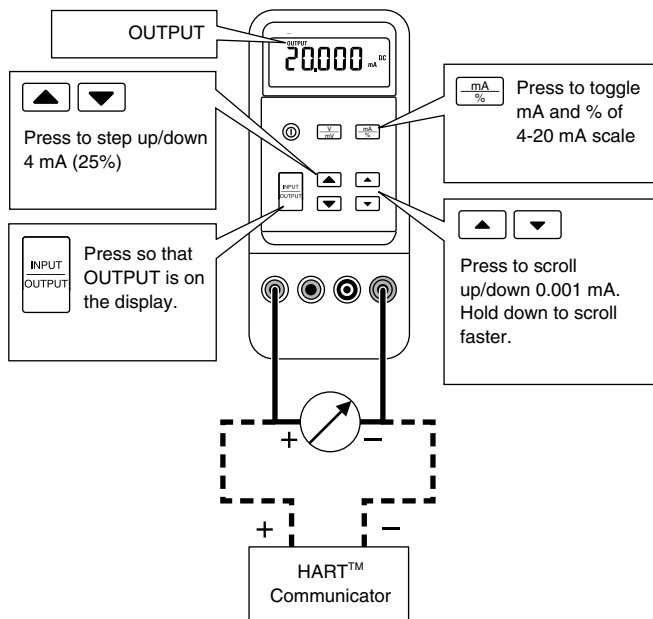
In source mode, the calibrator supplies the current. In simulate mode, the calibrator simulates a two-wire transmitter in an externally-powered current loop.

### Sourcing mA

Use source mode whenever you need to supply current into a passive circuit such as a current loop with no loop supply. Insert the test leads into the OUTPUT + and - mA jacks as shown below.

#### Note

*A path must exist for current to flow between the OUTPUT + and -mA jacks, otherwise the display will indicate an overload (OL) when you set an output value.*

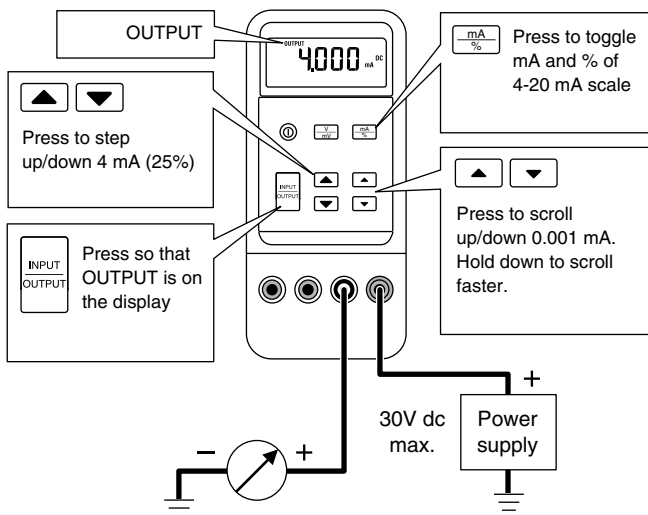




## Simulating a Transmitter

Use simulate mode when an external 24 to 30 V loop power supply is available.

Insert the test leads into the mA SIMULATE – and + jacks as shown below.



## ***Maintenance***

For maintenance procedures not described in this sheet, contact a Fluke Service Center.

## ***In Case of Difficulty***

- Check the battery and test leads. Replace as necessary.
- Review this sheet to make sure you are using the correct jacks and pushbuttons.

If the calibrator needs repair, contact a Fluke Service Center. If the calibrator is under warranty, see the warranty statement below for terms. If the warranty has lapsed, the calibrator will be repaired and returned for a fixed fee. Contact a Fluke Service Center for information and price.

## **Cleaning**

Periodically wipe the case with a damp cloth and detergent; do not use abrasives or solvents.

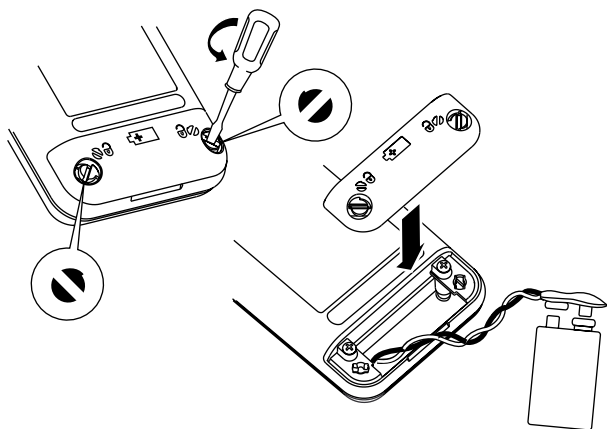
## **Calibration**

Calibrate your calibrator once a year to ensure that it performs according to its specifications. A calibration manual is available (PN 686540). Call 1-800-526-4731 from the USA and Canada. In other countries, contact a Fluke Service Center.

## **Replacing the Battery**

### **⚠ Warning**

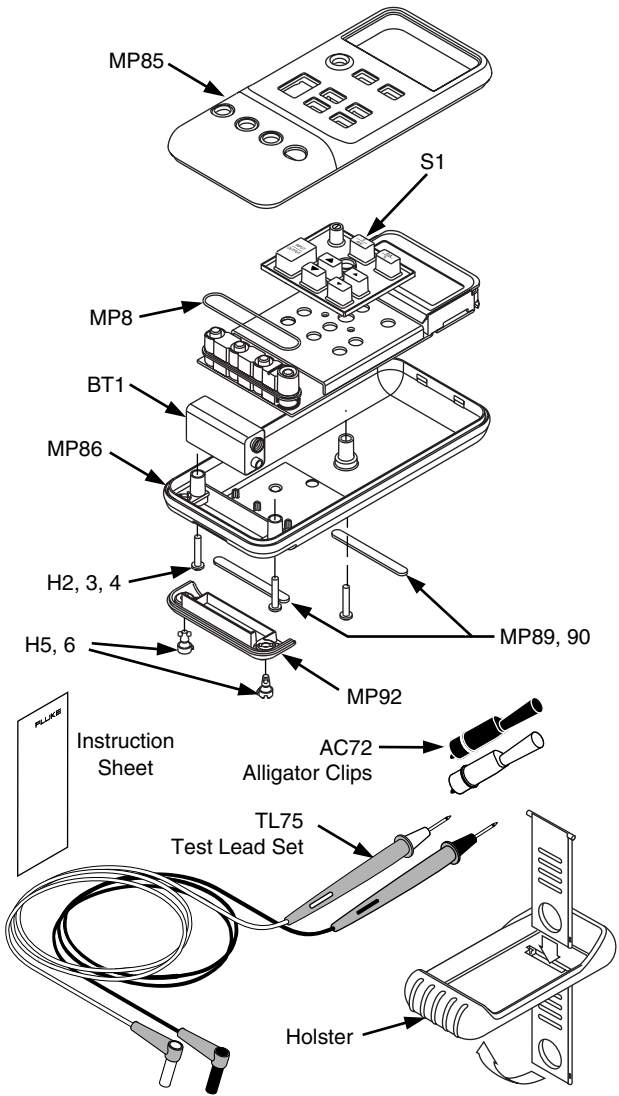
**To avoid false readings, which could lead to possible electric shock or personal injury, replace the battery as soon as the battery indicator (🔋) appears.**



## ***Replacement Parts and Accessories***

### **Replacement Parts**

<b>Item</b>	<b>Description</b>	<b>PN or Model no.</b>	<b>Qty.</b>
BT1	9V battery, ANSI/NEDA 1604A or IEC 6LR61	614487	1
H80M	Holster, Yellow, hanging	H80M	1
MP85	Case top	620200	1
MP86	Case bottom	2397526	1
H2, 3, 4	Case screw	832246	3
MP89, 90	Non-skid foot	824466	2
MP8	O-ring for input/output receptacle	831933	1
MP92	Battery door	619947	1
H5, 6	Battery door fasteners	948609	2
S1	Keypad	687100	1
TL75	Test lead set	TL75	1
-	Instruction sheet	650314	1
AC72	Alligator clips	AC72	1
TL20	Industrial test lead set	TL20	Option
-	71X Calibration Manual	686540	Option



## Specifications

Specifications are based on a one year calibration cycle and apply from +18°C to +28°C unless stated otherwise. "Counts" means number of increments or decrements of the least significant digit.

### DC V Input and Output

Range	Resolution	Accuracy, $\pm$ (% of Reading + Counts)
200 mV	0.01 mV	0.015% + 2
20 V output	0.001 V	0.01% + 2
25 V input		

*Input impedance: 1 M $\Omega$  (nominal), < 100 pF*  
*Overvoltage protection: Fuseless*  
*Voltage drive capability: 1 mA*

### DC mA Input

Range	Resolution	Accuracy, $\pm$ (% of Reading + Counts)
24 mA	0.001 mA	0.01% + 2

*Overload protection: Fuseless*

### DC mA Output

Range: 0 mA to 24 mA

Percent display: 0% = 4 mA, 100% = 20 mA

Accuracy:  $\pm$ (0.01% of reading + 2 counts)

#### Source mode:

Compliance: 1000  $\Omega$  at 20 mA for battery voltage  $\geq$ 6.8 V (700  $\Omega$  at 20 mA for battery voltage 5.8 to 6.8 V)

#### Simulate mode:

External loop voltage requirement: 24 V nominal, 30 V maximum, 12 V minimum

### Loop Power

24 V  $\pm$ 10%

## ***General Specifications***

**Maximum voltage applied between any jack and earth ground or between any two jacks:** 30 V

**Storage temperature:** -40°C to 60°C

**Operating temperature:** -10°C to 55°C

**Operating altitude:** 3000 meters maximum

**Temperature coefficient:**  $\pm 0.005\%$  of range per °C for the temperature ranges -10 to 18°C and 28 to 55°C

**Relative humidity:** 95% up to 30°C, 75% up to 40°C, 45% up to 50°C, and 35% up to 55°C

**Vibration:** Random 2 g, 5 to 500 Hz

**Shock:** 1 meter drop test

**Safety:** Certified as compliant to CAN/CSA C22.2 No. 1010.1:1992. Complies with ANSI/ISA S82.01-1994.

**Power requirements:** Single 9 V battery (ANSI/NEDA 1604A or IEC 6LR61)

**Size:** 32 mm H x 87 mm W x 187 mm L (1.25 in H x 3.41 in W x 7.35 in L);

With holster: 52 mm H x 98 mm W x 201 mm L (2.06 in H x 3.86 in W x 7.93 in L)

**Weight:** 349 g (12.3 oz);  
With holster: 601 g (21.2 oz)

## **LIMITED WARRANTY & LIMITATION OF LIABILITY**

This Fluke product will be free from defects in material and workmanship for three years from the date of purchase. This warranty does not cover fuses, disposable batteries or damage from accident, neglect, misuse or abnormal conditions of operation or handling. Resellers are not authorized to extend any other warranty on Fluke's behalf. To obtain service during the warranty period, send your defective calibrator to the nearest Fluke Authorized Service Center with a description of the problem.

**THIS WARRANTY IS YOUR ONLY REMEDY. NO OTHER WARRANTIES, SUCH AS FITNESS FOR A PARTICULAR PURPOSE, ARE EXPRESSED OR IMPLIED. FLUKE IS NOT LIABLE FOR ANY SPECIAL, INDIRECT, INCIDENTAL OR CONSEQUENTIAL DAMAGES OR LOSSES, ARISING FROM ANY CAUSE OR THEORY.** Since some states or countries do not allow the exclusion or limitation of an implied warranty or of incidental or consequential damages, this limitation of liability may not apply to you.



Компания «Океан Электроники» предлагает заключение долгосрочных отношений при поставках импортных электронных компонентов на взаимовыгодных условиях!

Наши преимущества:

- Поставка оригинальных импортных электронных компонентов напрямую с производств Америки, Европы и Азии, а так же с крупнейших складов мира;
- Широкая линейка поставок активных и пассивных импортных электронных компонентов (более 30 млн. наименований);
- Поставка сложных, дефицитных, либо снятых с производства позиций;
- Оперативные сроки поставки под заказ (от 5 рабочих дней);
- Экспресс доставка в любую точку России;
- Помощь Конструкторского Отдела и консультации квалифицированных инженеров;
- Техническая поддержка проекта, помощь в подборе аналогов, поставка прототипов;
- Поставка электронных компонентов под контролем ВП;
- Система менеджмента качества сертифицирована по Международному стандарту ISO 9001;
- При необходимости вся продукция военного и аэрокосмического назначения проходит испытания и сертификацию в лаборатории (по согласованию с заказчиком);
- Поставка специализированных компонентов военного и аэрокосмического уровня качества (Xilinx, Altera, Analog Devices, Intersil, Interpoint, Microsemi, Actel, Aeroflex, Peregrine, VPT, Syfer, Eurofarad, Texas Instruments, MS Kennedy, Miteq, Cobham, E2V, MA-COM, Hittite, Mini-Circuits, General Dynamics и др.);

Компания «Океан Электроники» является официальным дистрибьютором и эксклюзивным представителем в России одного из крупнейших производителей разъемов военного и аэрокосмического назначения «JONHON», а так же официальным дистрибьютором и эксклюзивным представителем в России производителя высокотехнологичных и надежных решений для передачи СВЧ сигналов «FORSTAR».



## JONHON

«JONHON» (основан в 1970 г.)

Разъемы специального, военного и аэрокосмического назначения:

(Применяются в военной, авиационной, аэрокосмической, морской, железнодорожной, горно- и нефтедобывающей отраслях промышленности)

«FORSTAR» (основан в 1998 г.)

ВЧ соединители, коаксиальные кабели, кабельные сборки и микроволновые компоненты:

(Применяются в телекоммуникациях гражданского и специального назначения, в средствах связи, РЛС, а так же военной, авиационной и аэрокосмической отраслях промышленности).



Телефон: 8 (812) 309-75-97 (многоканальный)

Факс: 8 (812) 320-03-32

Электронная почта: [ocean@oceanchips.ru](mailto:ocean@oceanchips.ru)

Web: <http://oceanchips.ru/>

Адрес: 198099, г. Санкт-Петербург, ул. Калинина, д. 2, корп. 4, лит. А