

**Revision History****AS7C325632-10BIN 90ball TFBGA PACKAGE**

Revision	Details	Date
Rev 1.0	Initial Issue	Jan. 2017

### FEATURES

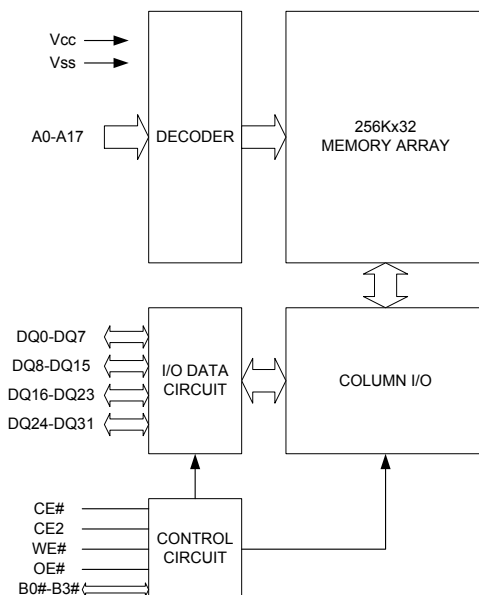
- Fast access time : 10ns
- **Low power consumption:**  
 Operating current : 125mA (TYP.)  
 Standby current : 4mA (TYP.)
- Single 3.3V power supply
- All inputs and outputs TTL compatible
- Fully static operation
- Tri-state output
- Data byte control : B0# (DQ0 ~ DQ7)  
 B1# (DQ8 ~ DQ15)  
 B2# (DQ16~DQ23)  
 B3# (DQ24~DQ31)
- Data retention voltage : 1.5V (MIN.)
- **ROHS Compliant/Pb and Halogen free**
- Package : 90-ball 8mm x 13mm TFBGA

### GENERAL DESCRIPTION

The AS7C325632-10BIN is a 8M-bit high speed CMOS static random access memory organized as 256K words by 32 bits. It is fabricated using very high performance, high reliability CMOS technology. Its standby current is stable within the range of operating temperature.

The AS7C325632-10BIN operates from a single power supply of 3.3V and all inputs and outputs are fully TTL compatible

### FUNCTIONAL BLOCK DIAGRAM



### PIN DESCRIPTION

SYMBOL	DESCRIPTION
A0 - A17	Address Inputs
DQ0 - DQ31	Data Inputs/Outputs
CE#, CE2	Chip Enable Input
WE#	Write Enable Input
OE#	Output Enable Input
B0# - B3#	Byte Control
V <sub>CC</sub>	Power Supply
V <sub>SS</sub>	Ground
NC	No Connection

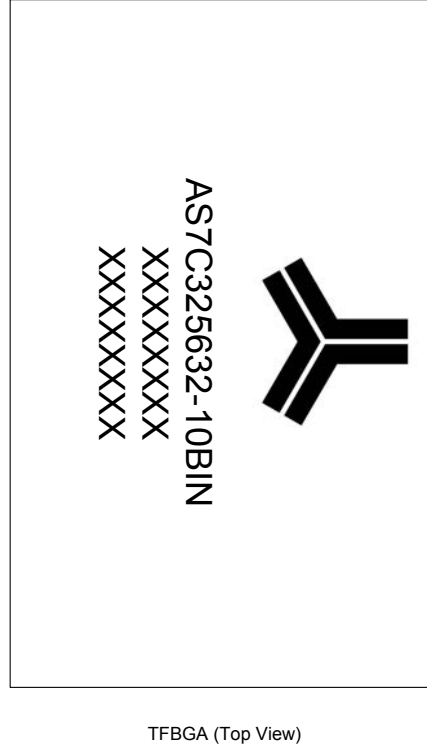
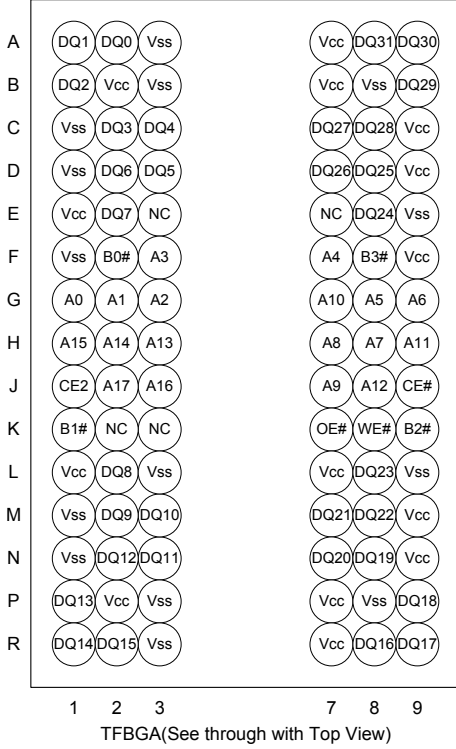
### PRODUCT FAMILY

Product Family	Operating Temperature	V <sub>CC</sub> Range	Speed	Power Dissipation	
				Standby(I <sub>SB1</sub> , TYP.)	Operating(I <sub>CC</sub> , TYP.)
AS7C325632-10BIN	-40 ~ 85°C	2.7 ~ 3.6V	10ns	4mA	125mA

### ORDERING INFORMATION

Package Type	Access Time (Speed/ns)	Temperature Range(°C)	Packing Type	Alliance Part Number
90-ball (8mm x 13mm) TFBGA	10	-40°C~85°C	Tray	AS7C325632-10BIN
			Tape Reel	AS7C325632-10BINTR

### PIN CONFIGURATION



### ABSOLUTE MAXIMUM RATINGS\*

PARAMETER	SYMBOL	RATING	UNIT
Voltage on V <sub>CC</sub> relative to V <sub>SS</sub>	V <sub>T1</sub>	-0.5 to 4.6	V
Voltage on any other pin relative to V <sub>SS</sub>	V <sub>T2</sub>	-0.5 to V <sub>CC</sub> +0.5	V
Operating Temperature	T <sub>A</sub>	-40 to 85(I grade)	°C
Storage Temperature	T <sub>STG</sub>	-65 to 150	°C
Power Dissipation	P <sub>D</sub>	1	W
DC Output Current	I <sub>OUT</sub>	50	mA

\*Stresses greater than those listed under "Absolute Maximum Ratings" may cause permanent damage to the device. This is a stress rating only and functional operation of the device or any other conditions above those indicated in the operational sections of this specification is not implied. Exposure to the absolute maximum rating conditions for extended period may affect device reliability.

### TRUTH TABLE

MODE	CE#	CE2	OE#	WE#	B0#	B1#	B0#	B1#	I/O OPERATION				SUPPLY CURRENT
									DQ0-7	DQ8-15	DQ16-23	DQ24-31	
Standby	H	X	X	X	X	X	X	X	High-Z	High-Z	High-Z	High-Z	I <sub>SB1</sub>
	X	L	X	X	X	X	X	X	High-Z	High-Z	High-Z	High-Z	
Output Disable	L	H	H	H	X	X	X	X	High-Z	High-Z	High-Z	High-Z	I <sub>CC</sub>
	L	H	X	X	H	H	H	H	High-Z	High-Z	High-Z	High-Z	
Read	L	H	L	H	L	H	H	H	D <sub>OUT</sub>	High-Z	High-Z	High-Z	I <sub>CC</sub>
	L	H	L	H	H	L	H	H	High-Z	D <sub>OUT</sub>	High-Z	High-Z	
	L	H	L	H	H	H	L	H	High-Z	High-Z	D <sub>OUT</sub>	High-Z	
	L	H	L	H	H	H	H	L	High-Z	High-Z	High-Z	D <sub>OUT</sub>	
	L	H	L	H	L	L	L	L	D <sub>OUT</sub>	D <sub>OUT</sub>	D <sub>OUT</sub>	D <sub>OUT</sub>	
Write	L	H	X	L	L	H	H	H	D <sub>IN</sub>	High-Z	High-Z	High-Z	I <sub>CC</sub>
	L	H	X	L	H	L	H	H	High-Z	D <sub>IN</sub>	High-Z	High-Z	
	L	H	X	L	H	H	L	H	High-Z	High-Z	D <sub>IN</sub>	High-Z	
	L	H	X	L	H	H	H	L	High-Z	High-Z	High-Z	D <sub>IN</sub>	
	L	H	X	L	L	L	L	L	D <sub>IN</sub>	D <sub>IN</sub>	D <sub>IN</sub>	D <sub>IN</sub>	

Note: H = V<sub>IH</sub>, L = V<sub>IL</sub>, X = Don't care.

### DC ELECTRICAL CHARACTERISTICS

PARAMETER	SYM.	TEST CONDITION	MIN.	TYP. <sup>*4</sup>	MAX.	UNIT	
Supply Voltage	V <sub>CC</sub>		2.7	3.3	3.6	V	
Input High Voltage	V <sub>IH</sub> <sup>*1</sup>		2.2	-	V <sub>CC</sub> +0.3	V	
Input Low Voltage	V <sub>IL</sub> <sup>*2</sup>		- 0.3	-	0.8	V	
Input Leakage Current	I <sub>LI</sub>	V <sub>CC</sub> ≥ V <sub>IN</sub> ≥ V <sub>SS</sub>	- 1	-	1	μA	
Output Leakage Current	I <sub>LO</sub>	V <sub>CC</sub> ≥ V <sub>OUT</sub> ≥ V <sub>SS</sub> , Output Disabled	- 1	-	1	μA	
Output High Voltage	V <sub>OH</sub>	I <sub>OH</sub> = -4mA	2.4	-	-	V	
Output Low Voltage	V <sub>OL</sub>	I <sub>OL</sub> = 8mA	-	-	0.4	V	
Average Operating Power supply Current	I <sub>CC</sub>	CE# ≤ 0.2V and CE2 ≥ V <sub>CC</sub> -0.2V, other pins at 0.2V or V <sub>CC</sub> -0.2V, I <sub>I/O</sub> = 0mA; f=max.	-10	-	125	180	mA
Standby Power Supply Current	I <sub>SB1</sub>	CE# ≥ V <sub>CC</sub> - 0.2V; other pins at 0.2V or V <sub>CC</sub> -0.2V.	-	4	40	mA	

Notes:

1. V<sub>IH</sub>(MAX.) = V<sub>CC</sub> + 2.0V for pulse width less than 6ns.
2. V<sub>IL</sub>(MIN.) = V<sub>SS</sub> - 2.0V for pulse width less than 6ns.
3. Over/Undershoot specifications are characterized on engineering evaluation stage, not for mass production test.
4. Typical values are included for reference only and are not guaranteed or tested.  
Typical values are measured at V<sub>CC</sub> = V<sub>CC</sub>(TYP.) and T<sub>A</sub> = 25°C

### CAPACITANCE (T<sub>A</sub> = 25°C, f = 1.0MHz)

PARAMETER	SYMBOL	MIN.	MAX.	UNIT
Input Capacitance	C <sub>IN</sub>	-	8	pF
Input/Output Capacitance	C <sub>I/O</sub>	-	10	pF

Note : These parameters are guaranteed by device characterization, but not production tested.

### AC TEST CONDITIONS

Speed	10 ns
Input Pulse Levels	0.2V to V <sub>CC</sub> -0.2V
Input Rise and Fall Times	3ns
Input and Output Timing Reference Levels	V <sub>CC</sub> /2
Output Load	C <sub>L</sub> = 30pF + 1TTL, I <sub>OH</sub> /I <sub>OL</sub> = -4mA/8mA

### AC ELECTRICAL CHARACTERISTICS

#### (1) READ CYCLE

PARAMETER	SYM.	AS7C325632-10BIN		UNIT
		MIN.	MAX.	
Read Cycle Time	t <sub>RC</sub>	10	-	ns
Address Access Time	t <sub>AA</sub>	-	10	ns
Chip Enable Access Time	t <sub>ACE</sub>	-	10	ns
Output Enable Access Time	t <sub>OE</sub>	-	4.5	ns
Chip Enable to Output in Low-Z	t <sub>CLZ</sub> *	2	-	ns
Output Enable to Output in Low-Z	t <sub>OLZ</sub> *	0	-	ns
Chip Disable to Output in High-Z	t <sub>CHZ</sub> *	-	4	ns
Output Disable to Output in High-Z	t <sub>OHZ</sub> *	-	4	ns
Output Hold from Address Change	t <sub>OH</sub>	2	-	ns
Byte Control Access Time	t <sub>BA</sub>	-	4.5	ns
Byte Control to High-Z Output	t <sub>BHZ</sub> *	-	4	ns
Byte Control to Low-Z Output	t <sub>BLZ</sub> *	0	-	ns

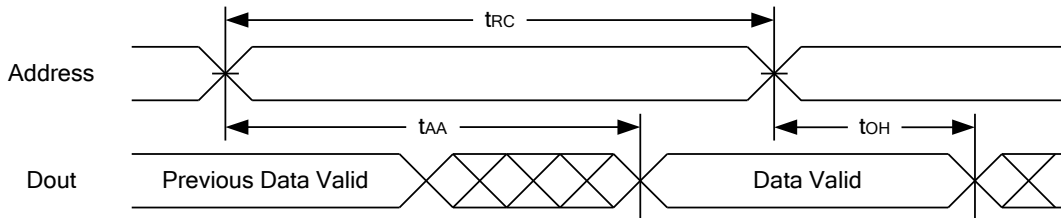
#### (2) WRITE CYCLE

PARAMETER	SYM.	AS7C325632-10BIN		UNIT
		MIN.	MAX.	
Write Cycle Time	t <sub>WC</sub>	10	-	ns
Address Valid to End of Write	t <sub>AW</sub>	8	-	ns
Chip Enable to End of Write	t <sub>CW</sub>	8	-	ns
Address Set-up Time	t <sub>AS</sub>	0	-	ns
Write Pulse Width	t <sub>WP</sub>	8	-	ns
Write Recovery Time	t <sub>WR</sub>	0	-	ns
Data to Write Time Overlap	t <sub>DW</sub>	6	-	ns
Data Hold from End of Write Time	t <sub>DH</sub>	0	-	ns
Output Active from End of Write	t <sub>OW</sub> *	2	-	ns
Write to Output in High-Z	t <sub>WHZ</sub> *	-	4	ns
Byte Control Valid to End of Write	t <sub>BW</sub>	8	-	ns

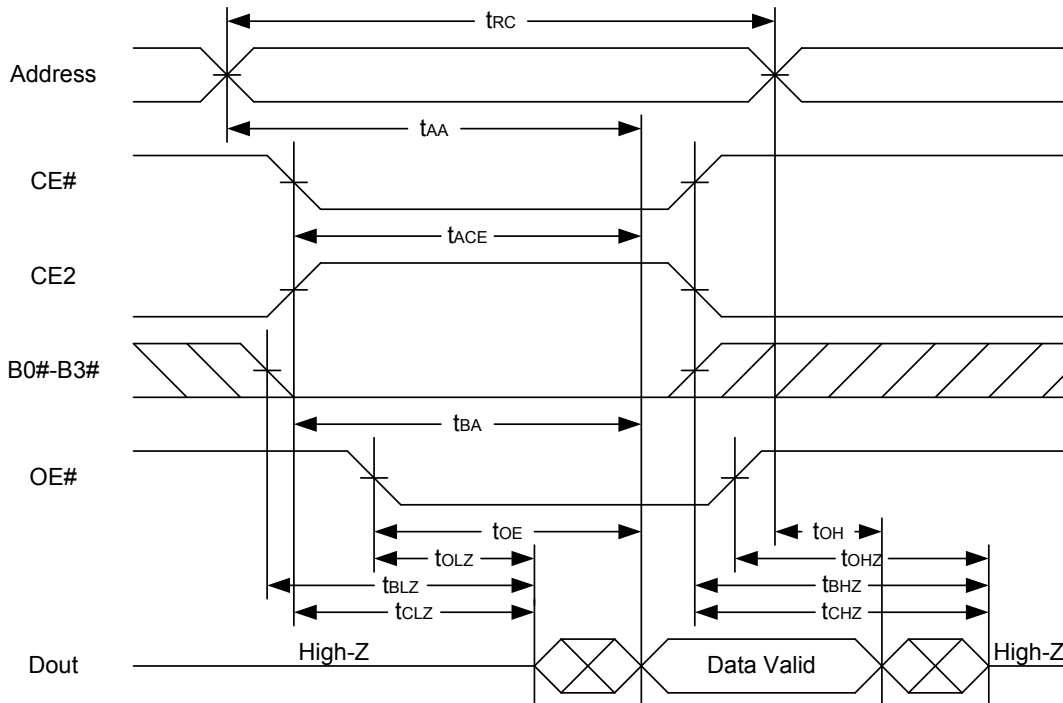
\*These parameters are guaranteed by device characterization, but not production tested.

### TIMING WAVEFORMS

#### READ CYCLE 1 (Address Controlled) (1,2)



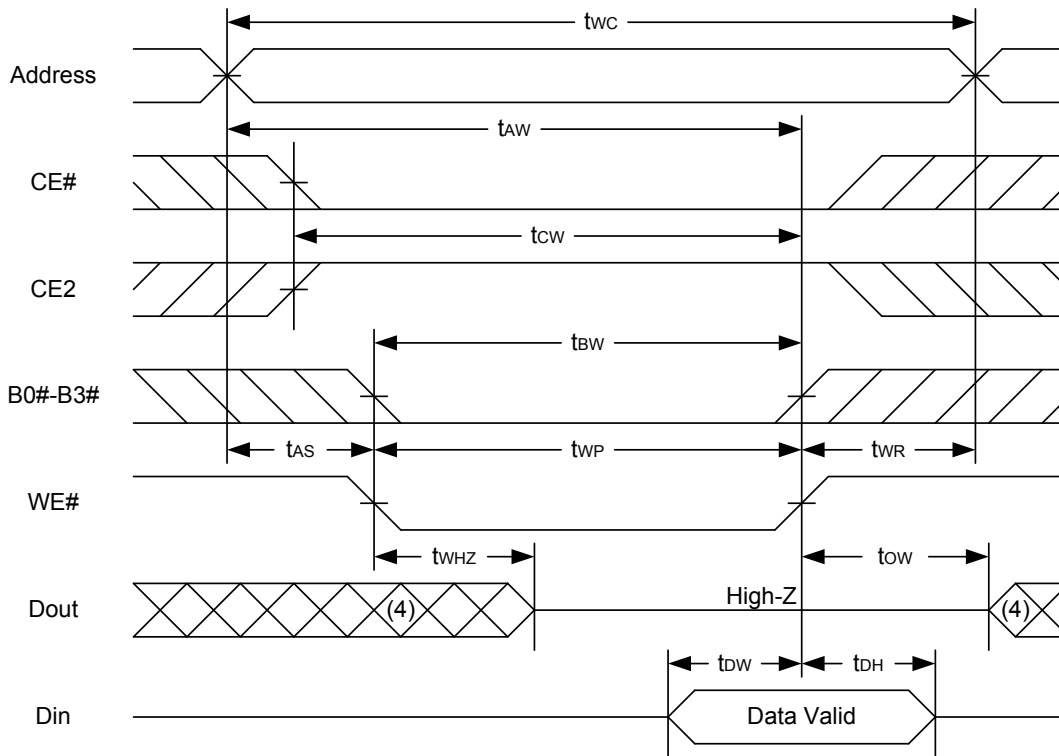
#### READ CYCLE 2 (CE# and CE2 and OE# Controlled) (1,3,4,5)



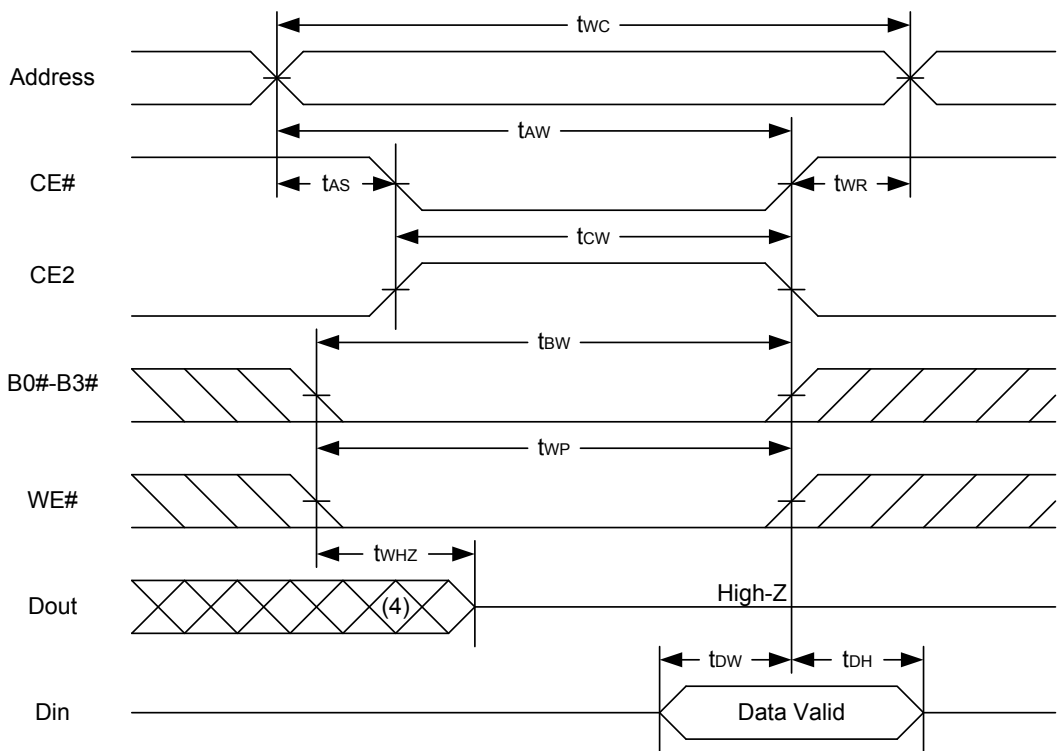
Notes :

1. WE# is high for read cycle.
2. Device is continuously selected OE# = low, CE# = low, CE2 = high, and B0#, B1#, B2# or B3# = low.
3. Address must be valid prior to or coincident with CE# = low, CE2 = high, and B0#, B1#, B2# or B3# = low transition; otherwise tAA is the limiting parameter.
4. tCLZ, tBLZ, tOLZ, tCHZ, tBHZ and tOHZ are specified with CL = 5pF. Transition is measured ±500mV from steady state.
5. At any given temperature and voltage condition, tCHZ is less than tCLZ, tBHZ is less than tBLZ, tOHZ is less than tOLZ.

### WRITE CYCLE 1 (WE# Controlled) (1,2,4,5)

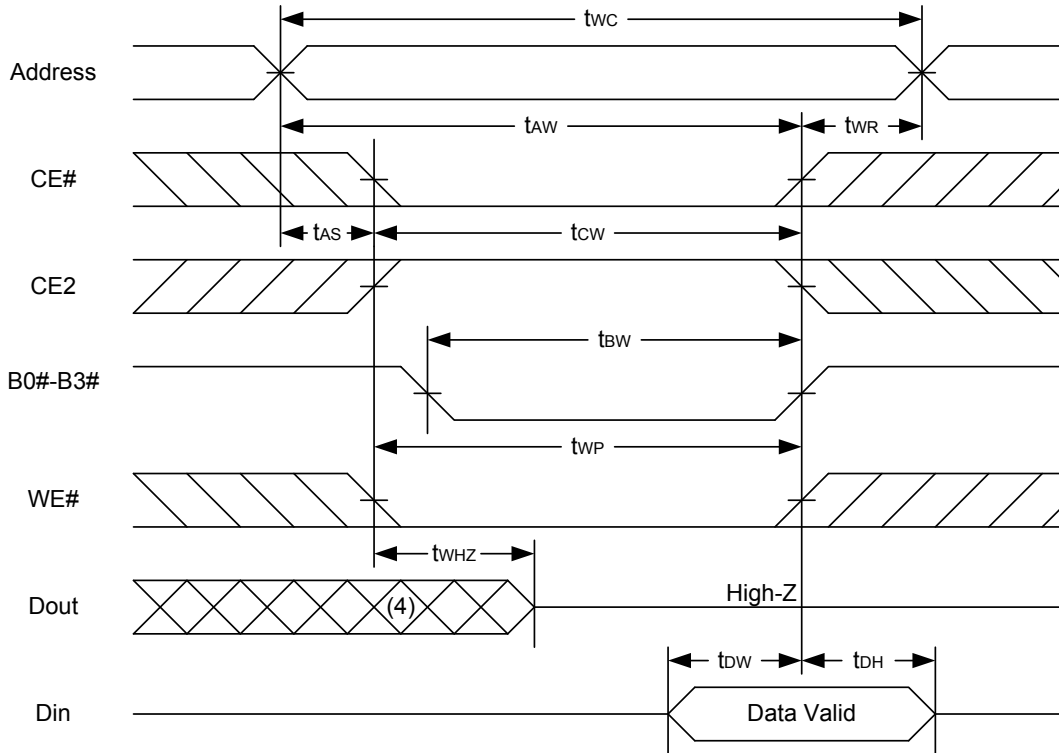


### WRITE CYCLE 2 (CE# and CE2 Controlled) (1,4,5)





### WRITE CYCLE 3 (B0# ~ B3# Controlled) (1,4,5)



Notes :

1. A write occurs during the overlap of a low CE#, high CE2, low WE#, and B0#, B1#, B2# or B3# = low.
2. During a WE# controlled write cycle with OE# low,  $t_{WP}$  must be greater than  $t_{WHZ} + t_{DW}$  to allow the drivers to turn off and data to be placed on the bus.
3. During this period, I/O pins are in the output state, and input signals must not be applied.
4. If the CE#, B0# ~ B3# low transition and CE2 high transition occurs simultaneously with or after WE# low transition, the outputs remain in a high impedance state.
5.  $t_{DW}$  and  $t_{WHZ}$  are specified with  $C_L = 5\text{pF}$ . Transition is measured  $\pm 500\text{mV}$  from steady state.

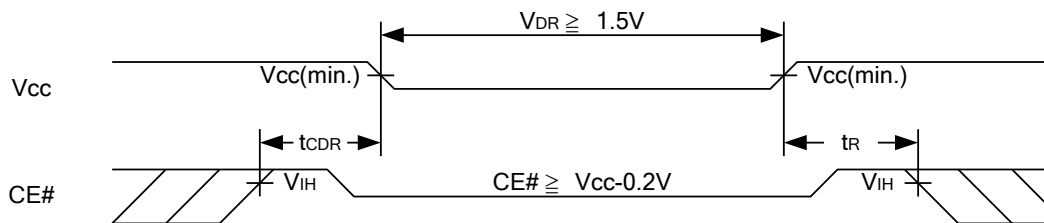
### DATA RETENTION CHARACTERISTICS

PARAMETER	SYMBOL	TEST CONDITION	MIN.	TYP.	MAX.	UNIT
V <sub>CC</sub> for Data Retention	V <sub>DR</sub>	CE# ≥ V <sub>CC</sub> - 0.2V or CE2 ≤ 0.2V	1.5	-	3.6	V
Data Retention Current	I <sub>DR</sub>	V <sub>CC</sub> = 1.5V CE# ≥ V <sub>CC</sub> - 0.2V or CE2 ≤ 0.2V Other pins at 0.2V or V <sub>CC</sub> -0.2V	-	4	40	mA
Chip Disable to Data Retention Time	t <sub>CDR</sub>	See Data Retention Waveforms (below)	0	-	-	ns
Recovery Time	t <sub>R</sub>		t <sub>RC</sub> *	-	-	ns

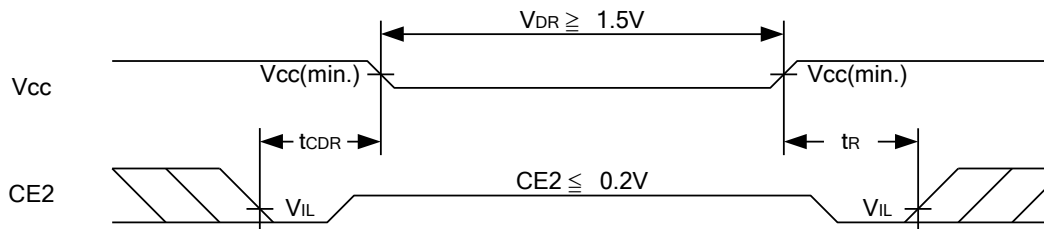
t<sub>RC</sub>\* = Read Cycle Time

### DATA RETENTION WAVEFORM

#### Low V<sub>CC</sub> Data Retention Waveform (1) (CE# controlled)

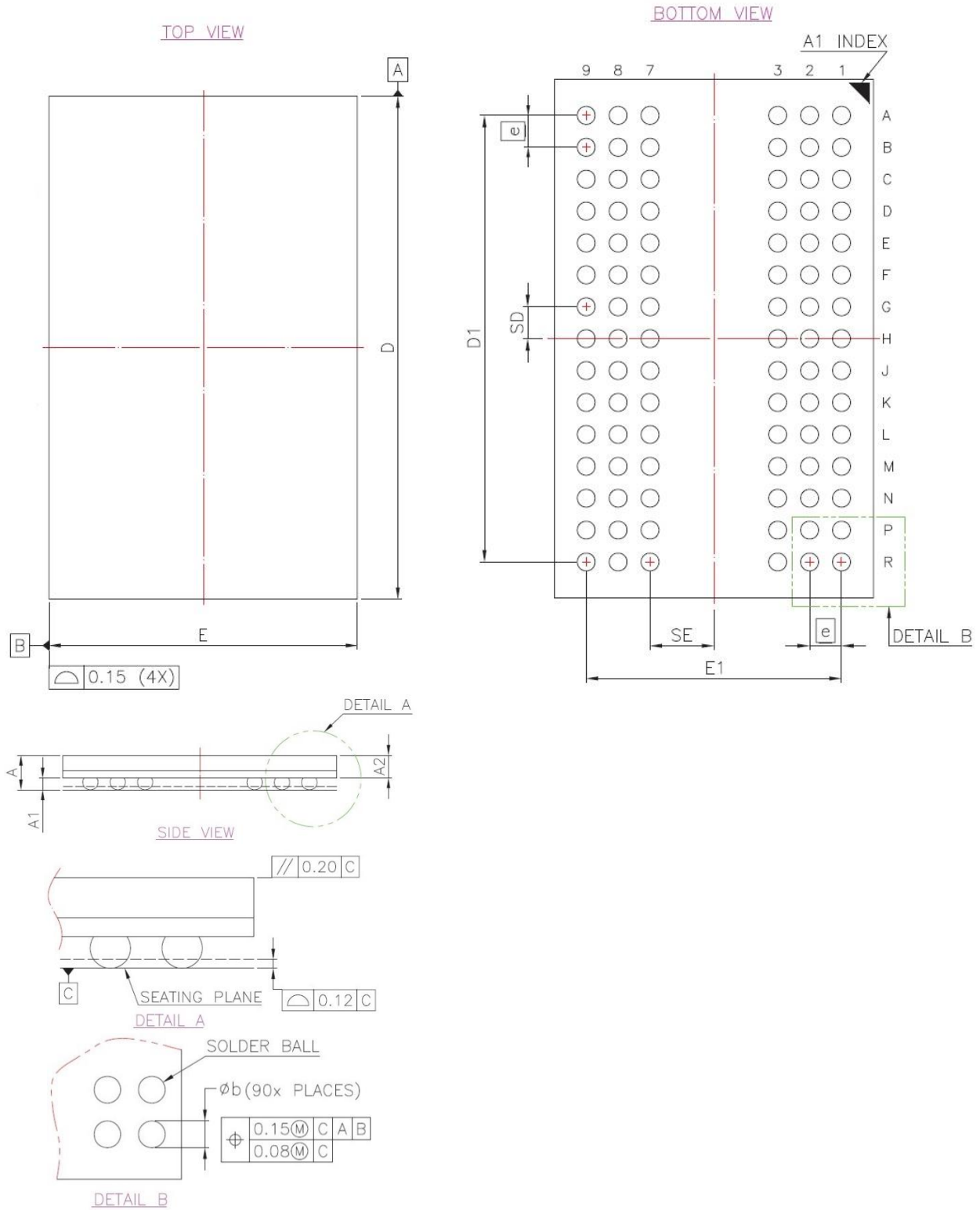


#### Low V<sub>CC</sub> Data Retention Waveform (2) (CE2 controlled)



### PACKAGE OUTLINE DIMENSION

#### 90-ball 8mm x 13mm TFBGA Package Outline Dimension



### PART NUMBERING SYSTEM

AS7C	325632	10	B	I	N
SRAM	3=3.3v 25632=256K x 32	10=10 ns	B = TFBGA	I=Industrial (-40° C~+85° C)	Indicates Pb and Halogen Free



Alliance Memory, Inc.  
 511 Taylor Way,  
 San Carlos, CA 94070  
 Tel: 650-610-6800  
 Fax: 650-620-9211  
[www.alliancememory.com](http://www.alliancememory.com)

Copyright © Alliance Memory  
 All Rights Reserved

© Copyright 2007 Alliance Memory, Inc. All rights reserved. Our three-point logo, our name and Intelliwatt are trademarks or registered trademarks of Alliance. All other brand and product names may be the trademarks of their respective companies. Alliance reserves the right to make changes to this document and its products at any time without notice. Alliance assumes no responsibility for any errors that may appear in this document. The data contained herein represents Alliance's best data and/or estimates at the time of issuance. Alliance reserves the right to change or correct this data at any time, without notice. If the product described herein is under development, significant changes to these specifications are possible. The information in this product data sheet is intended to be general descriptive information for potential customers and users, and is not intended to operate as, or provide, any guarantee or warranty to any user or customer. Alliance does not assume any responsibility or liability arising out of the application or use of any product described herein, and disclaims any express or implied warranties related to the sale and/or use of Alliance products including liability or warranties related to fitness for a particular purpose, merchantability, or infringement of any intellectual property rights, except as expressly agreed to in Alliance's Terms and Conditions of Sale (which are available from Alliance). All sales of Alliance products are made exclusively according to Alliance's Terms and Conditions of Sale. The purchase of products from Alliance does not convey a license under any patent rights, copyrights; mask works rights, trademarks, or any other intellectual property rights of Alliance or third parties. Alliance does not authorize its products for use as critical components in life-supporting systems where a malfunction or failure may reasonably be expected to result in significant injury to the user, and the inclusion of Alliance products in such life-supporting systems implies that the manufacturer assumes all risk of such use and agrees to indemnify Alliance against all claims arising from such use.

Компания «Океан Электроники» предлагает заключение долгосрочных отношений при поставках импортных электронных компонентов на взаимовыгодных условиях!

Наши преимущества:

- Поставка оригинальных импортных электронных компонентов напрямую с производств Америки, Европы и Азии, а так же с крупнейших складов мира;
- Широкая линейка поставок активных и пассивных импортных электронных компонентов (более 30 млн. наименований);
- Поставка сложных, дефицитных, либо снятых с производства позиций;
- Оперативные сроки поставки под заказ (от 5 рабочих дней);
- Экспресс доставка в любую точку России;
- Помощь Конструкторского Отдела и консультации квалифицированных инженеров;
- Техническая поддержка проекта, помощь в подборе аналогов, поставка прототипов;
- Поставка электронных компонентов под контролем ВП;
- Система менеджмента качества сертифицирована по Международному стандарту ISO 9001;
- При необходимости вся продукция военного и аэрокосмического назначения проходит испытания и сертификацию в лаборатории (по согласованию с заказчиком);
- Поставка специализированных компонентов военного и аэрокосмического уровня качества (Xilinx, Altera, Analog Devices, Intersil, Interpoint, Microsemi, Actel, Aeroflex, Peregrine, VPT, Syfer, Eurofarad, Texas Instruments, MS Kennedy, Miteq, Cobham, E2V, MA-COM, Hittite, Mini-Circuits, General Dynamics и др.);

Компания «Океан Электроники» является официальным дистрибьютором и эксклюзивным представителем в России одного из крупнейших производителей разъемов военного и аэрокосмического назначения «JONHON», а так же официальным дистрибьютором и эксклюзивным представителем в России производителя высокотехнологичных и надежных решений для передачи СВЧ сигналов «FORSTAR».



## JONHON

«JONHON» (основан в 1970 г.)

Разъемы специального, военного и аэрокосмического назначения:

(Применяются в военной, авиационной, аэрокосмической, морской, железнодорожной, горно- и нефтедобывающей отраслях промышленности)

«FORSTAR» (основан в 1998 г.)

ВЧ соединители, коаксиальные кабели, кабельные сборки и микроволновые компоненты:

(Применяются в телекоммуникациях гражданского и специального назначения, в средствах связи, РЛС, а так же военной, авиационной и аэрокосмической отраслях промышленности).



Телефон: 8 (812) 309-75-97 (многоканальный)

Факс: 8 (812) 320-03-32

Электронная почта: [ocean@oceanchips.ru](mailto:ocean@oceanchips.ru)

Web: <http://oceanchips.ru/>

Адрес: 198099, г. Санкт-Петербург, ул. Калинина, д. 2, корп. 4, лит. А