

Series 14

Characteristics

The compact 22.5 mm Series 14 enables space-saving installations and is especially suited for:

- Flush design
- Raised design
- PCB (with adaptor)

The low level switching element is laid out for low current applications.

Functions

The Series 14 incorporates the following functions:

- Indicator
- Pushbutton
- Illuminated pushbutton
- Mushroom-head pushbutton
- Keylock switch
- Selector switch
- Buzzer

Market segments

The EAO Series 14 is especially suited for applications in the segments:

- Public transportation
- Machinery and Automation
- Construction machines and special-purpose vehicles
- Lifting and moving
- Panel building

Please refer to the EAO website to obtain detailed information regarding this series www.products.eao.com
Configure a product to your exact needs and request a quotation.



Overview**Flush design**

| | |
|--------------------------|----|
| Indicator | 4 |
| Buzzer | 5 |
| Illuminated pushbutton | 6 |
| Mushroom-head pushbutton | 9 |
| Keylock switch | 14 |
| Selector switch | 16 |

Raised design

| | |
|--------------------------|----|
| Indicator | 18 |
| Buzzer | 20 |
| Illuminated pushbutton | 21 |
| Mushroom-head pushbutton | 24 |
| Keylock switch | 29 |
| Selector switch | 31 |

Accessories**33****Drawings****55****Technical data****56****Marking****59****Application guidelines****63****Index****64**

14 Flush design

Indicator, IP 67



Product can differ from the current configuration.



Dimensions [mm]
 L = Solder terminal,
 L1 = Solder terminal 2.8 x 0.5 mm,
 H = Universal terminal 2.0 x 0.5 mm

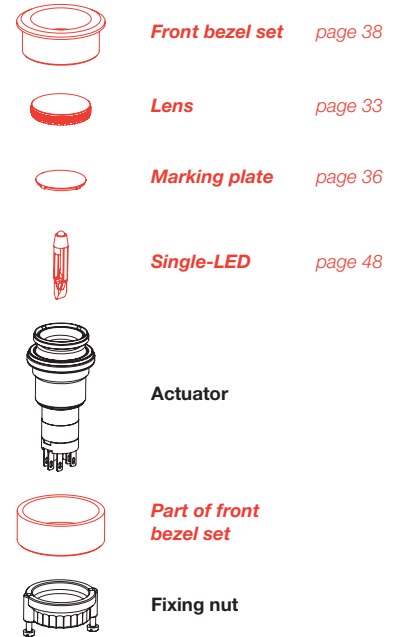
Additional Information

- For front dimension Ø 35 mm
- For LED element fitting information see «Application guidelines»



Mounting cut-outs [mm]

Equipment consisting of (schematic overview)



Each Part Number listed below includes all the black components shown in the 3D-drawing.

To obtain a complete unit, please select the red components from the pages shown.

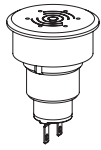
| Terminal | Part No. | Component layout | Wiring diagram | Weight |
|--|-------------------|------------------|----------------|----------|
|  | | | | |
| Indicator actuator | | | | |
| Solder 2.8 x 0.5 mm | 14-040.002 | | 1 | 0.050 kg |
| Solder | 14-040.005 | | 1 | 0.050 kg |
| Universal 2.0 x 0.5 mm | 14-041.006 | 1 | 1 | 0.050 kg |

The component layouts you will find from page 55



Buzzer, IP 40

Equipment consisting of (schematic overview)



Buzzer

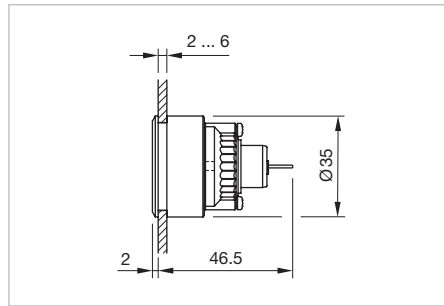


Pressure ring



Fixing nut

Each Part Number listed below includes all the black components shown in the 3D-drawing.



Dimensions [mm]



Product can differ from the current configuration.



Mounting cut-outs [mm]

Additional Information

- Further information see «Technical data»
- The colour of anodized aluminium parts can vary due to technical production reasons
- For PCB application use adaptor Part-No. 31-942

| Operating voltage | Front cap | Terminal | Part No. | Wiring diagram | Weight |
|---|----------------------------|---------------------|-------------------|----------------|----------|
|  <p>Buzzer, Front dimension Ø 35 mm</p> | Aluminium black anodized | Solder 2.8 x 0.5 mm | 14-810.910 | 1 | 0.016 kg |
| | Aluminium natural anodiset | Solder 2.8 x 0.5 mm | 14-810.918 | 1 | 0.016 kg |



Wiring diagram 1

14 Flush design

Illuminated pushbutton, IP 67

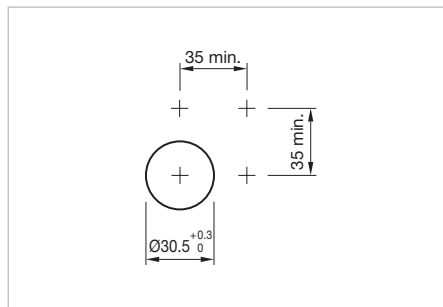


Product can differ from the current configuration.

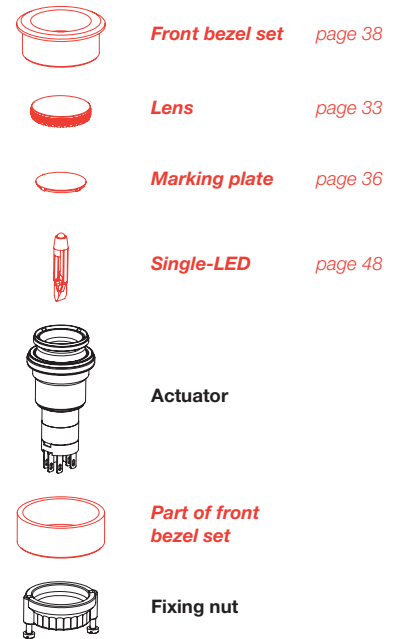


Additional Information

- For front dimension Ø 35 mm
- For LED element fitting information see «Application guidelines»




Equipment consisting of (schematic overview)



Each Part Number listed below includes all the black components shown in the 3D-drawing.

To obtain a complete unit, please select the red components from the pages shown.

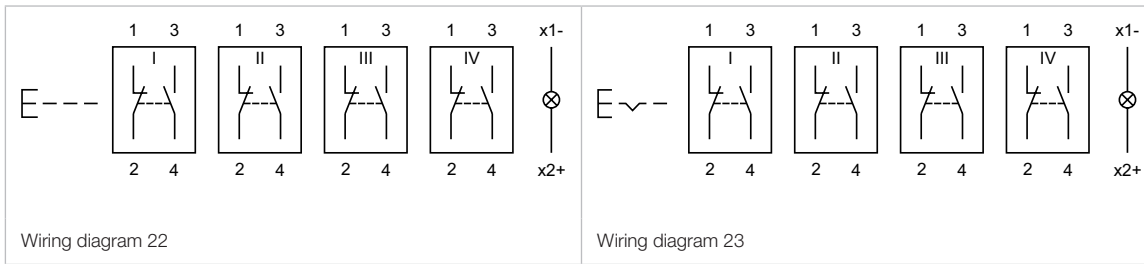
| Switching system | Contacts | Diode 1N4007 | Switching action | Terminal | Part No. | Component layout | Wiring diagram | Weight | | |
|---|-------------|--------------|------------------|------------------------|--------------------|------------------|--------------------|----------|----|----------|
|  Illuminated pushbutton actuator | | | | | | | | | | |
| Low-level element | 1 NC | | B | Universal 2.0 x 0.5 mm | 14-436.036 | 1 | 1 | 0.015 kg | | |
| | | | C | Universal 2.0 x 0.5 mm | 14-476.036 | 1 | 2 | 0.015 kg | | |
| | 1 NC + 1 NO | | B | Universal 2.0 x 0.5 mm | 14-433.036 | 1 | 3 | 0.015 kg | | |
| | | | C | Universal 2.0 x 0.5 mm | 14-473.036 | 1 | 4 | 0.015 kg | | |
| | 1 NO | | B | Universal 2.0 x 0.5 mm | 14-435.036 | 1 | 5 | 0.015 kg | | |
| | | | C | Universal 2.0 x 0.5 mm | 14-475.036 | 1 | 6 | 0.015 kg | | |
| | 2 NC | | B | Universal 2.0 x 0.5 mm | 14-432.036 | 1 | 7 | 0.015 kg | | |
| | | | C | Universal 2.0 x 0.5 mm | 14-472.036 | 1 | 8 | 0.015 kg | | |
| | 2 NO | | B | Universal 2.0 x 0.5 mm | 14-431.036 | 1 | 9 | 0.015 kg | | |
| | | | C | Universal 2.0 x 0.5 mm | 14-471.036 | 1 | 10 | 0.015 kg | | |
| Snap-action switching element | 1 NC + 1 NO | 1 | B | Universal-Solder | 14-743.0292 | 1 | 11 | 0.014 kg | | |
| | | | C | Universal-Solder | 14-747.0292 | 1 | 12 | 0.014 kg | | |
| | | 2 | B | Universal-Solder | 14-744.0292 | 1 | 13 | 0.014 kg | | |
| | | | C | Universal-Solder | 14-748.0292 | 1 | 14 | 0.014 kg | | |
| | | | B | Solder 2.8 x 0.5 mm | 14-131.022 | | 24 | 0.013 kg | | |
| | | | B | Solder | 14-131.0252 | | 15 | 0.013 kg | | |
| | | | C | Solder 2.8 x 0.5 mm | 14-271.022 | | 25 | 0.013 kg | | |
| | | | C | Solder | 14-271.0252 | | 16 | 0.013 kg | | |
| | | | 2 NC + 2 NO | 2 | B | Universal-Solder | 14-746.0292 | 1 | 17 | 0.016 kg |
| | | | | | B | Solder | 14-132.0252 | | 18 | 0.015 kg |

| Switching system | Contacts | Diode 1N4007 | Switching action | Terminal | Part No. | Component layout | Wiring diagram | Weight |
|-------------------------------|-------------|--------------|------------------|----------|--------------------|------------------|----------------|----------|
| Snap-action switching element | 2 NC + 2 NO | | C | Solder | 14-272.0252 | | 19 | 0.015 kg |
| | 3 NC + 3 NO | | B | Solder | 14-133.0252 | | 20 | 0.017 kg |
| | | | C | Solder | 14-273.0252 | | 21 | 0.017 kg |
| | | | B | Solder | 14-134.0252 | | 22 | 0.019 kg |
| | 4 NC + 4 NO | | C | Solder | 14-274.0252 | | 23 | 0.019 kg |

Contacts: NC = Normally closed, NO = Normally open
 Switching action: B = Momentary, C = Maintain
 The component layouts you will find from page 55

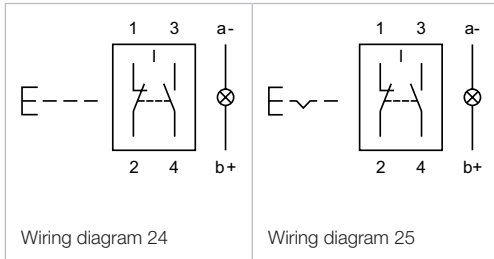


14 Flush design



Wiring diagram 22

Wiring diagram 23



Wiring diagram 24

Wiring diagram 25

Mushroom-head pushbutton, IP 67

Equipment consisting of (schematic overview)



Each Part Number listed below includes all the black components shown in the 3D-drawing.

To obtain a complete unit, please select the red components from the pages shown.



Dimensions [mm]
 L = Solder terminal,
 L1 = Solder terminal 2.8 x 0.5 mm,
 H = Universal terminal 2.0 x 0.5 mm




Product can differ from the current configuration.



Mounting cut-outs [mm]

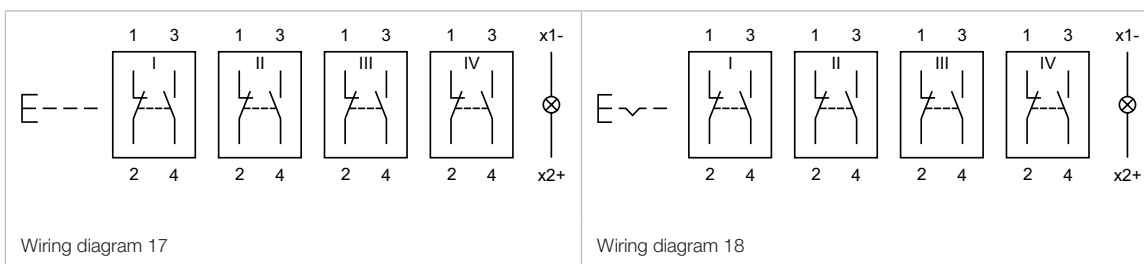
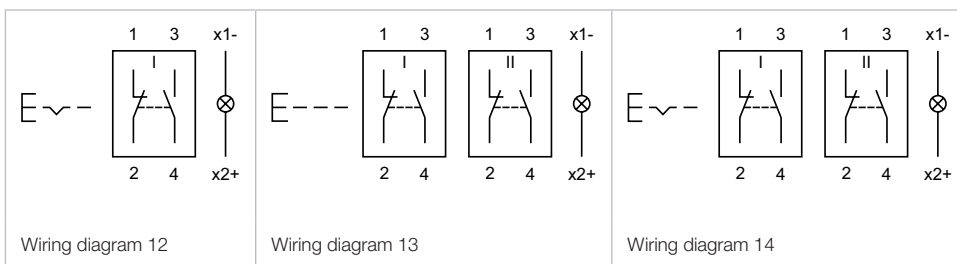
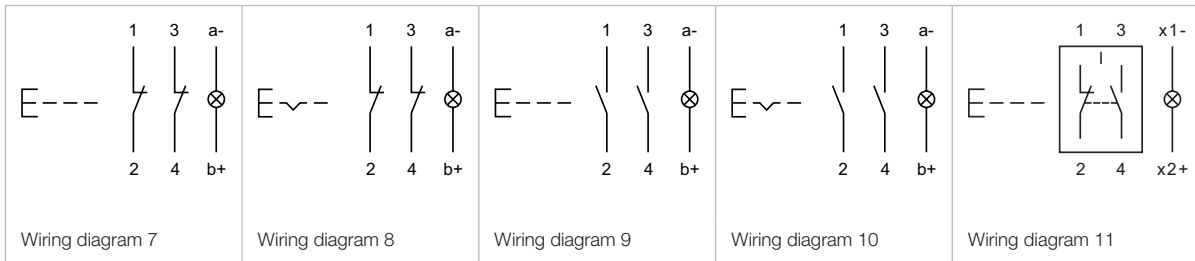
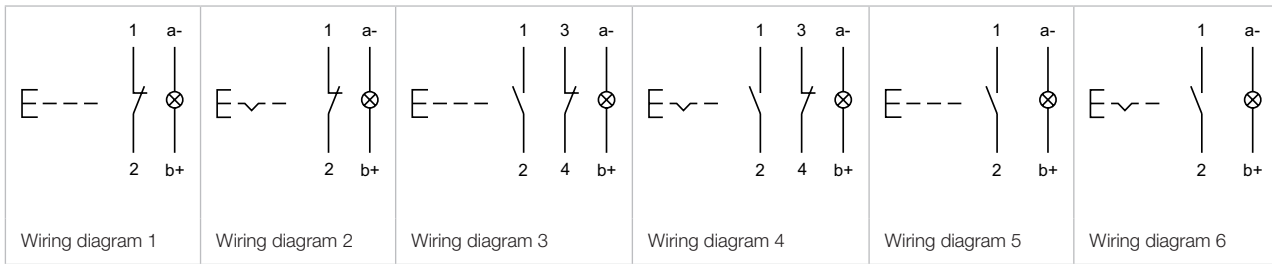
Additional Information

- For front dimension Ø 50 mm
- To obtain IP 67 use marking plate Part No. 704.609.9

| Switching system | Contacts | Switching action | Terminal | Part No. | Component layout | Wiring diagram | Weight |
|--|-------------|------------------|------------------------|--------------------|------------------|----------------|----------|
|  Low-level element | 1 NC | B | Universal 2.0 x 0.5 mm | 14-436.036 | 1 | 1 | 0.015 kg |
| | | C | Universal 2.0 x 0.5 mm | 14-476.036 | 1 | 2 | 0.015 kg |
| | 1 NC + 1 NO | B | Universal 2.0 x 0.5 mm | 14-433.036 | 1 | 3 | 0.015 kg |
| | | C | Universal 2.0 x 0.5 mm | 14-473.036 | 1 | 4 | 0.015 kg |
| | 1 NO | B | Universal 2.0 x 0.5 mm | 14-435.036 | 1 | 5 | 0.015 kg |
| | | C | Universal 2.0 x 0.5 mm | 14-475.036 | 1 | 6 | 0.015 kg |
| | 2 NC | B | Universal 2.0 x 0.5 mm | 14-432.036 | 1 | 7 | 0.015 kg |
| | | C | Universal 2.0 x 0.5 mm | 14-472.036 | 1 | 8 | 0.015 kg |
| | 2 NO | B | Universal 2.0 x 0.5 mm | 14-431.036 | 1 | 9 | 0.015 kg |
| | | C | Universal 2.0 x 0.5 mm | 14-471.036 | 1 | 10 | 0.015 kg |
| Snap-action switching element | 1 NC + 1 NO | B | Solder | 14-131.0252 | 11 | | 0.013 kg |
| | | B | Solder 2.8 x 0.5 mm | 14-131.022 | 19 | | 0.013 kg |
| | | C | Solder | 14-271.0252 | 12 | | 0.013 kg |
| | | B | Solder 2.8 x 0.5 mm | 14-271.022 | 20 | | 0.013 kg |
| | 2 NC + 2 NO | B | Solder | 14-132.0252 | 13 | | 0.013 kg |
| | | C | Solder | 14-272.0252 | 14 | | 0.013 kg |
| | 3 NC + 3 NO | B | Solder | 14-133.0252 | 15 | | 0.013 kg |
| | | C | Solder | 14-273.0252 | 16 | | 0.013 kg |
| | 4 NC + 4 NO | B | Solder | 14-134.0252 | 17 | | 0.013 kg |
| | | C | Solder | 14-274.0252 | 18 | | 0.013 kg |


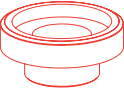


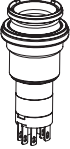


Contacts: NC = Normally closed, NO = Normally open
 Switching action: B = Momentary, C = Maintain
 The component layouts you will find from page 55

14 Flush design



Illuminated mushroom head pushbutton, IP 67

Equipment consisting of (schematic overview)

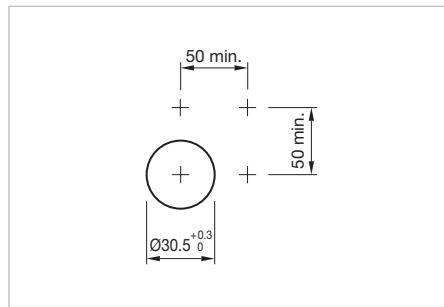
-  **Mushroom-head cap** *page 36*
-  **Front bezel set** *page 38*
-  **Marking plate** *page 37*
-  **Single-LED** *page 48*
-  **Actuator**
-  **Part of front bezel set**
-  **Fixing nut**



Dimensions [mm]
 L = Solder terminal,
 L1 = Solder terminal 2.8 x 0.5 mm,
 H = Universal terminal 2.0 x 0.5 mm,
 H1 = Universal-Solder terminal



Product can differ from the current configuration.




Mounting cut-outs [mm]

Additional Information

- For front dimension $\varnothing 50$ mm
- For LED element fitting information see «Application guidelines»
- To obtain IP 67 use marking plate Part No. 704.609.9

Each Part Number listed below includes all the black components shown in the 3D-drawing.

To obtain a complete unit, please select the red components from the pages shown.

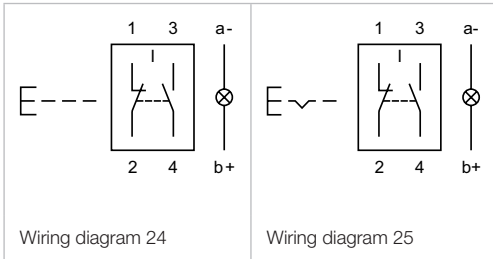
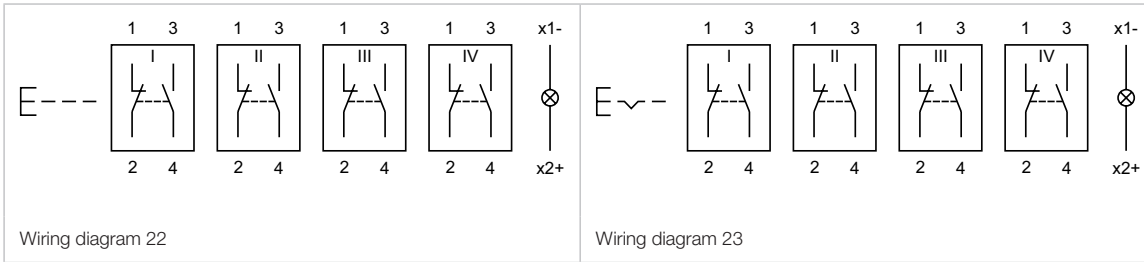
| Switching system | Contacts | Diode 1N4007 | Switching action | Terminal | Part No. | Component layout | Wiring diagram | Weight | |
|--|-------------|--------------|------------------|------------------------|---------------------|--------------------|----------------|----------|----------|
|  Low-level element | 1 NC | | B | Universal 2.0 x 0.5 mm | 14-436.036 | 1 | 1 | 0.015 kg | |
| | | | C | Universal 2.0 x 0.5 mm | 14-476.036 | 1 | 2 | 0.015 kg | |
| | 1 NC + 1 NO | | B | Universal 2.0 x 0.5 mm | 14-433.036 | 1 | 3 | 0.015 kg | |
| | | | C | Universal 2.0 x 0.5 mm | 14-473.036 | 1 | 4 | 0.015 kg | |
| | 1 NO | | B | Universal 2.0 x 0.5 mm | 14-435.036 | 1 | 5 | 0.015 kg | |
| | | | C | Universal 2.0 x 0.5 mm | 14-475.036 | 1 | 6 | 0.015 kg | |
| | 2 NC | | B | Universal 2.0 x 0.5 mm | 14-432.036 | 1 | 7 | 0.015 kg | |
| | | | C | Universal 2.0 x 0.5 mm | 14-472.036 | 1 | 8 | 0.015 kg | |
| | 2 NO | | B | Universal 2.0 x 0.5 mm | 14-431.036 | 1 | 9 | 0.015 kg | |
| | | | C | Universal 2.0 x 0.5 mm | 14-471.036 | 1 | 10 | 0.015 kg | |
| Snap-action switching element | 1 NC + 1 NO | 1 | B | Universal 2.0 x 0.5 mm | 14-743.0292 | 1 | 11 | 0.014 kg | |
| | | | C | Universal 2.0 x 0.5 mm | 14-747.0292 | 1 | 12 | 0.014 kg | |
| | | 2 | B | Universal 2.0 x 0.5 mm | 14-744.0292 | 1 | 13 | 0.014 kg | |
| | | | C | Universal 2.0 x 0.5 mm | 14-748.0292 | 1 | 14 | 0.014 kg | |
| | | | | B | Solder | 14-131.0252 | | 15 | 0.013 kg |
| | | | | B | Solder 2.8 x 0.5 mm | 14-131.022 | | 24 | 0.013 kg |
| | | | | C | Solder | 14-271.0252 | | 16 | 0.013 kg |
| | | | | C | Solder 2.8 x 0.5 mm | 14-271.022 | | 25 | 0.013 kg |
| | 2 NC + 2 NO | 2 | B | Universal 2.0 x 0.5 mm | 14-746.0292 | 1 | 17 | 0.014 kg | |

14 Flush design

| Switching system | Contacts | Diode 1N4007 | Switching action | Terminal | Part No. | Component layout | Wiring diagram | Weight |
|-------------------------------|-------------|--------------|------------------|----------|--------------------|------------------|----------------|----------|
| Snap-action switching element | 2 NC + 2 NO | | B | Solder | 14-132.0252 | | 18 | 0.013 kg |
| | | | C | Solder | 14-272.0252 | | 19 | 0.013 kg |
| | 3 NC + 3 NO | | B | Solder | 14-133.0252 | | 20 | 0.013 kg |
| | | | C | Solder | 14-273.0252 | | 21 | 0.013 kg |
| | 4 NC + 4 NO | | B | Solder | 14-134.0252 | | 22 | 0.013 kg |
| | | | C | Solder | 14-274.0252 | | 23 | 0.013 kg |

Contacts: NC = Normally closed, NO = Normally open
 Switching action: B = Momentary, C = Maintain
 The component layouts you will find from page 55





14 Flush design

Keylock switch 2 positions, IP 65



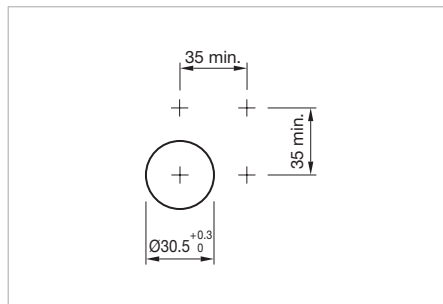
Product can differ from the current configuration.



Dimensions [mm]
 L = Solder terminal,
 L1 = Solder terminal 2.8 x 0.5 mm,
 H = Universal terminal 2.0 x 0.5 mm

Additional Information

- For front dimension Ø 35 mm
- Front plastic black
- The standard lock: KABA 1001
- Two keys are supplied with each key lock switch
- Optional lock numbers on request



Mounting cut-outs [mm]



Switching positions (A = Rest, B = Momentary, C = Maintained)

Equipment consisting of (schematic overview)



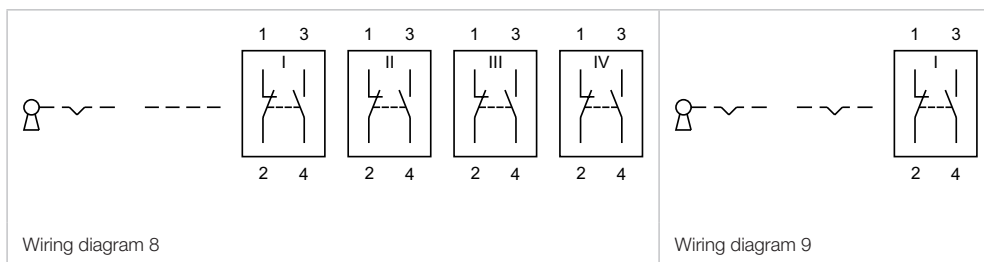
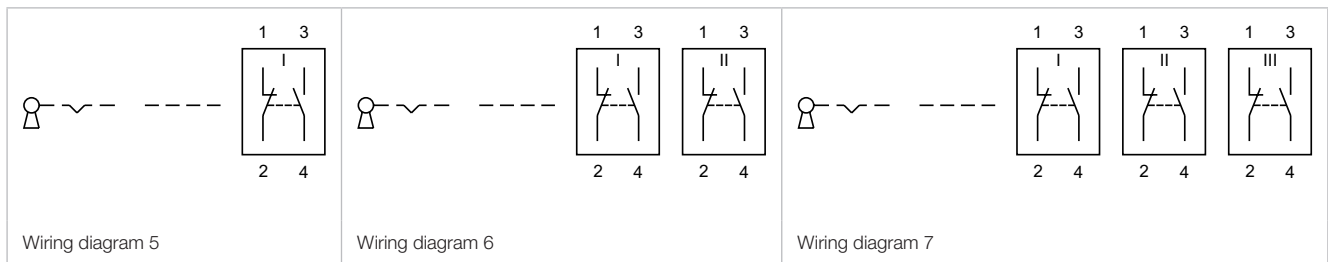
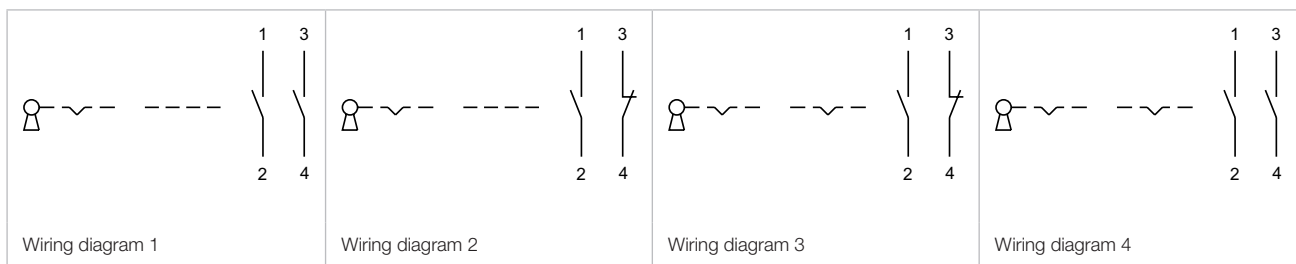
Each Part Number listed below includes all the black components shown in the 3D-drawing.

To obtain a complete unit, please select the red components from the pages shown.

| Switching system | Contacts | Switching action | Switching angle | Key remove | Terminal | Part No. | Component layout | Wiring diagram | Weight | |
|--|-------------------------------|--------------------|-----------------|---------------------|------------------------|---------------------|---------------------|----------------|----------|----------|
|  Keylock switch actuator 2 positions | 2 NO | A - B | B = 42° | A | Universal 2.0 x 0.5 mm | 14-437.036K | 1 | 1 | 0.030 kg | |
| | 1 NC + 1 NO | A - B | B = 42° | A | Universal 2.0 x 0.5 mm | 14-438.036K | 1 | 2 | 0.030 kg | |
| | | | | A + C | Universal 2.0 x 0.5 mm | 14-412.036K | 1 | 3 | 0.030 kg | |
| | | A - C | C = 90° | A | Universal 2.0 x 0.5 mm | 14-415.036K | 1 | 3 | 0.030 kg | |
| | | | | C | Universal 2.0 x 0.5 mm | 14-418.036K | 1 | 3 | 0.030 kg | |
| | 2 NO | A - C | C = 90° | A + C | Universal 2.0 x 0.5 mm | 14-411.036K | 1 | 4 | 0.030 kg | |
| | | | | A | Universal 2.0 x 0.5 mm | 14-414.036K | 1 | 4 | 0.030 kg | |
| | | | | C | Universal 2.0 x 0.5 mm | 14-417.036K | 1 | 4 | 0.030 kg | |
| | Snap-action switching element | 1 NC + 1 NO | A - B | B = 42° | A | Solder 2.8 x 0.5 mm | 14-141.022K | 5 | 5 | 0.029 kg |
| | | | | | A | Solder | 14-141.025K2 | 5 | 5 | 0.029 kg |
| 2 NC + 2 NO | | A - B | B = 42° | A | Solder | 14-142.025K2 | 6 | 6 | 0.031 kg | |
| 3 NC + 3 NO | | A - B | B = 42° | A | Solder | 14-143.025K2 | 7 | 7 | 0.033 kg | |
| 4 NC + 4 NO | | A - B | B = 42° | A | Solder | 14-144.025K2 | 8 | 8 | 0.035 kg | |
| 1 NC + 1 NO | | A - C | C = 90° | A + C | Solder | 14-135.025K2 | 9 | 9 | 0.029 kg | |
| | | | | A | Solder | 14-235.025K2 | 9 | 9 | 0.029 kg | |
| | | | | C | Solder | 14-335.025K2 | 9 | 9 | 0.029 kg | |
| | A + C | | | Solder 2.8 x 0.5 mm | 14-135.022K | 9 | 9 | 0.029 kg | | |
| A | Solder 2.8 x 0.5 mm | 14-235.022K | 9 | 9 | 0.029 kg | | | | | |

| Switching system | Contacts | Switching action | Switching angle | Key remove | Terminal | Part No. | Component layout | Wiring diagram | Weight |
|-------------------------------|-------------|------------------|-----------------|------------|---------------------|---------------------|------------------|----------------|----------|
| Snap-action switching element | 1 NC + 1 NO | A - C | C = 90° | C | Solder 2.8 x 0.5 mm | 14-335.022K | | 9 | 0.029 kg |
| | | | | A + C | Solder | 14-136.025K2 | | 10 | 0.031 kg |
| | 2 NC + 2 NO | A - C | C = 90° | A | Solder | 14-236.025K2 | | 10 | 0.031 kg |
| | | | | C | Solder | 14-336.025K2 | | 10 | 0.031 kg |
| | | | | A + C | Solder | 14-137.025K2 | | 11 | 0.033 kg |
| | 3 NC + 3 NO | A - C | C = 90° | A | Solder | 14-237.025K2 | | 11 | 0.033 kg |
| | | | | C | Solder | 14-337.025K2 | | 11 | 0.033 kg |
| | | | | A + C | Solder | 14-138.025K2 | | 12 | 0.035 kg |
| | 4 NC + 4 NO | A - C | C = 90° | A | Solder | 14-238.025K2 | | 12 | 0.035 kg |
| | | | | C | Solder | 14-338.025K2 | | 12 | 0.035 kg |
| | | | | A + C | Solder | 14-338.025K2 | | 12 | 0.035 kg |

Contacts: NC = Normally closed, NO = Normally open
 Switching action: B = Momentary, C = Maintain
 The component layouts you will find from page 15

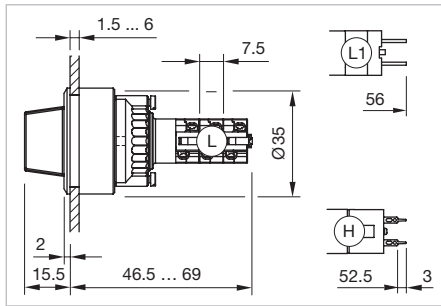


14 Flush design

Selector switch 2 positions, IP 67



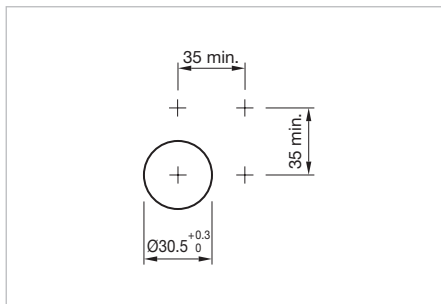
Product can differ from the current configuration.



Dimensions [mm]
 L = Solder terminal,
 L1 = Solder terminal 2.8 x 0.5 mm,
 H = Universal terminal 2.0 x 0.5 mm

Additional Information

- For front dimension $\varnothing 35$ mm
- Non-illuminative

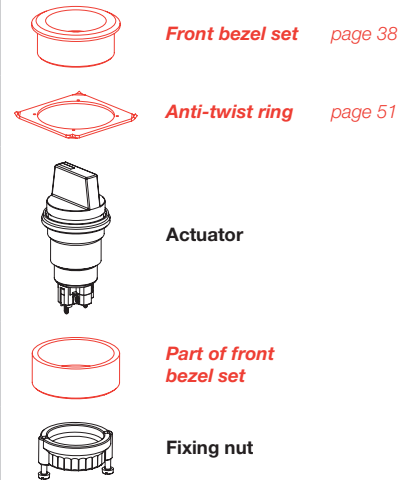


Mounting cut-outs [mm]




Switching positions (A = Rest, B = Momentary, C = Maintained)

Equipment consisting of (schematic overview)

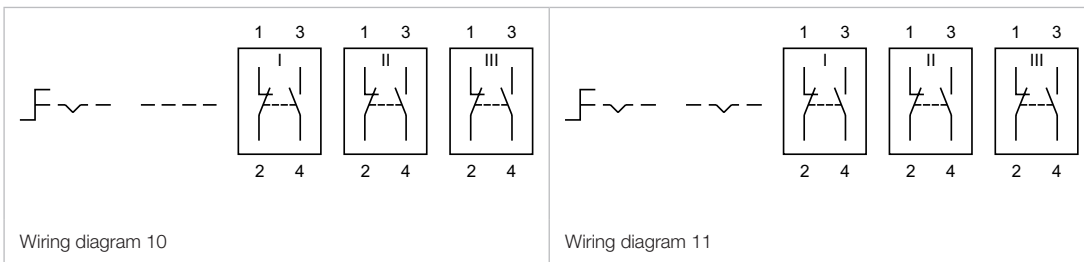
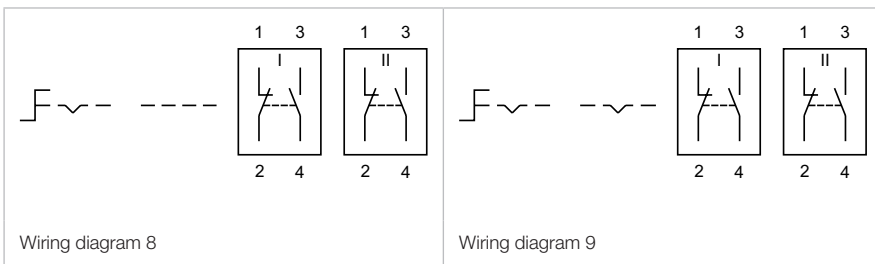
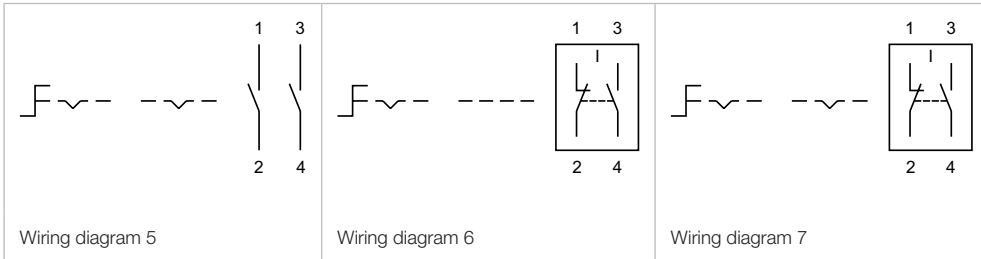
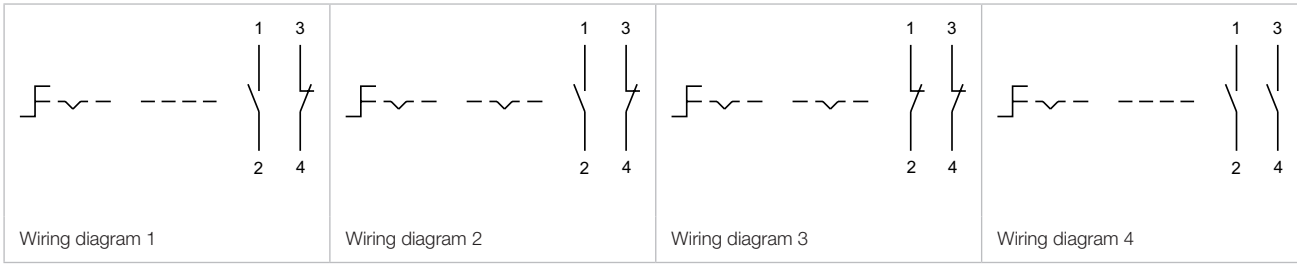


Each Part Number listed below includes all the black components shown in the 3D-drawing.

To obtain a complete unit, please select the red components from the pages shown.

| Lever | Switching system | Contacts | Switching action | Switching angle | Terminal | Part No. | Component layout | Wiring diagram | Weight |
|---|---------------------|-------------|-------------------------------|---------------------|------------------------|------------------------|---------------------|--------------------|----------|
|  <p>Selector switch actuator 2 positions</p> | Plastic black short | 1 NC + 1 NO | A - B | B = 42° | Universal 2.0 x 0.5 mm | 14-517.0360 | 1 | 1 | 0.025 kg |
| | | | A - C | C = 90° | Universal 2.0 x 0.5 mm | 14-522.0360 | 1 | 2 | 0.025 kg |
| | | 2 NC | A - C | C = 90° | Universal 2.0 x 0.5 mm | 14-521.0360 | 1 | 3 | 0.025 kg |
| | | | 2 NO | A - B | B = 42° | Universal 2.0 x 0.5 mm | 14-515.0360 | 1 | 4 |
| | | 2 NO | A - C | C = 90° | Universal 2.0 x 0.5 mm | 14-520.0360 | 1 | 5 | 0.025 kg |
| | | | Snap-action switching element | 1 NC + 1 NO | A - B | B = 42° | Solder 2.8 x 0.5 mm | 14-501.0220 | 6 |
| | A - B | B = 42° | | | Solder | 14-501.02502 | 6 | 0.024 kg | |
| | A - C | C = 90° | | Solder 2.8 x 0.5 mm | 14-506.0220 | 7 | 0.024 kg | | |
| | A - C | C = 90° | | Solder | 14-506.02502 | 7 | 0.024 kg | | |
| | 2 NC + 2 NO | A - B | | B = 42° | Solder | 14-502.02502 | 8 | 0.026 kg | |
| | | A - C | | C = 90° | Solder | 14-507.02502 | 9 | 0.026 kg | |
| | 3 NC + 3 NO | A - B | B = 42° | Solder | 14-503.02502 | 10 | 0.028 kg | | |
| A - C | | C = 90° | Solder | 14-508.02502 | 11 | 0.028 kg | | | |
| 4 NC + 4 NO | A - C | C = 90° | Solder | 14-509.02502 | 12 | 0.030 kg | | | |

Contacts: NC = Normally closed, NO = Normally open
 Switching action: B = Momentary, C = Maintain
 The component layouts you will find from page 55

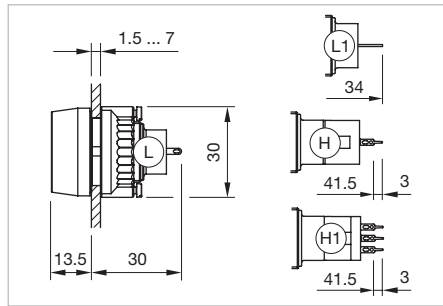


14 Raised design

Indicator full face illumination, IP 67



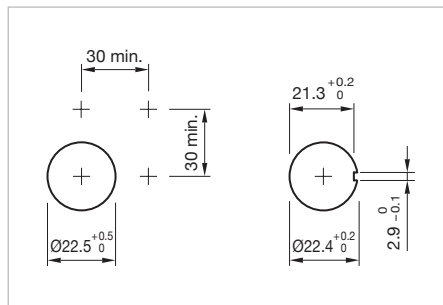
Product can differ from the current configuration.



Dimensions [mm]
 L = Solder terminal,
 L1 = Solder terminal 2.8 x 0.5 mm,
 H = Universal terminal 2.0 x 0.5 mm,
 H1 = Universal-Solder terminal

Additional Information

- For front dimension $\varnothing 29$ mm
- For LED element fitting information see «Application guidelines»




Mounting cut-outs [mm]
 Other mounting cut-outs see «Drawings»

Equipment consisting of (schematic overview)

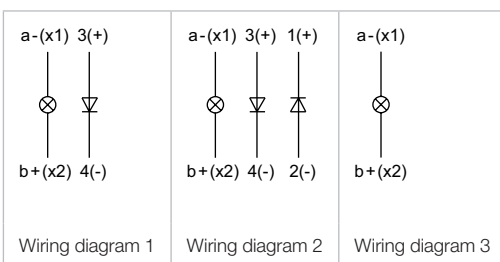


Each Part Number listed below includes all the black components shown in the 3D-drawing.

To obtain a complete unit, please select the red components from the pages shown.

| Diode 1N4007 | Terminal | Part No. | Component layout | Wiring diagram | Weight |
|---|----------|------------------------|------------------|----------------|----------|
|  <p>Indicator actuator full-face illumination</p> | 1 | Universal 2.0 x 0.5 mm | 14-741.006 | 1 | 0.011 kg |
| | 2 | Universal 2.0 x 0.5 mm | 14-742.006 | 2 | 0.011 kg |
| | | Solder 2.8 x 0.5 mm | 14-030.002 | 3 | 0.010 kg |
| | | Solder | 14-030.005 | 3 | 0.010 kg |
| | | Universal 2.0 x 0.5 mm | 14-031.006 | 1 | 3 |

The component layouts you will find from page 55



Indicator front illumination, IP 67

Equipment consisting of (schematic overview)

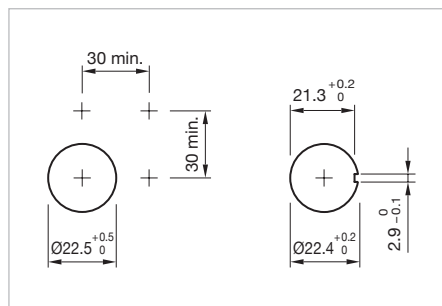


Each Part Number listed below includes all the black components shown in the 3D-drawing.

To obtain a complete unit, please select the red components from the pages shown.



Dimensions [mm]
 L = Solder terminal,
 L1 = Solder terminal 2.8 x 0.5 mm,
 H = Universal terminal 2.0 x 0.5 mm



Mounting cut-outs [mm]
 Other mounting cut-outs see «Drawings»



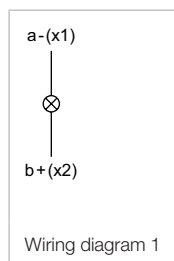
Product can differ from the current configuration.

Additional Information

- For front dimension Ø 29 mm
- For LED element fitting information see «Application guidelines»

| Terminal | Part No. | Component layout | Wiring diagram | Weight |
|---|-------------------|------------------|----------------|----------|
|  | | | | |
| Indicator actuator front illumination | | | | |
| Solder 2.8 x 0.5 mm | 14-040.002 | | 1 | 0.050 kg |
| Solder | 14-040.005 | | 1 | 0.050 kg |
| Universal 2.0 x 0.5 mm | 14-041.006 | 1 | 1 | 0.050 kg |

The component layouts you will find from page 55

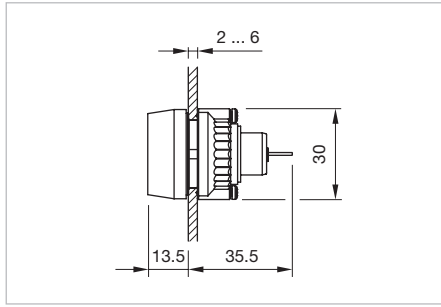


14 Raised design

Buzzer, IP 65



Product can differ from the current configuration.



Dimensions [mm]

Equipment consisting of (schematic overview)



Buzzer

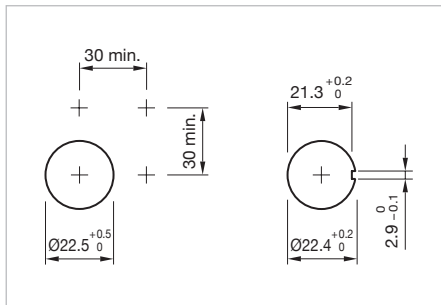


Fixing nut

Each Part Number listed below includes all the black components shown in the 3D-drawing.

Additional Information

- Further information see «Technical data»
- For PCB application use adaptor Part-No. 31-942

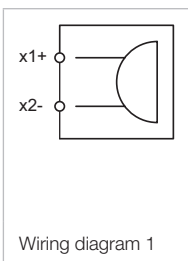


Mounting cut-outs [mm]
Other mounting cut-outs see «Drawings»

| Operating voltage | Front cap | Terminal | Part No. | Wiring diagram | Weight |
|-------------------|---------------------|---------------------|-------------------|----------------|----------|
| 24 VDC | Plastic black | Solder 2.8 x 0.5 mm | 14-810.002 | 1 | 0.016 kg |
| | Brass nickel-plated | Solder 2.8 x 0.5 mm | 14-810.902 | 1 | 0.016 kg |



Buzzer, Front dimension Ø 29 mm



Illuminated pushbutton, IP 67

Equipment consisting of (schematic overview)



Each Part Number listed below includes all the black components shown in the 3D-drawing.

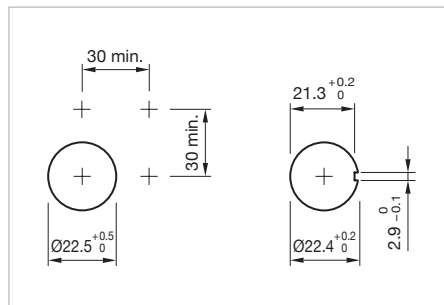
To obtain a complete unit, please select the red components from the pages shown.



Dimensions [mm]
 L = Solder terminal,
 L1 = Solder terminal 2.8 x 0.5 mm,
 H = Universal terminal 2.0 x 0.5 mm,
 H1 = Universal-Solder terminal



Product can differ from the current configuration.



Mounting cut-outs [mm]
 Other mounting cut-outs see «Drawings»

Additional Information

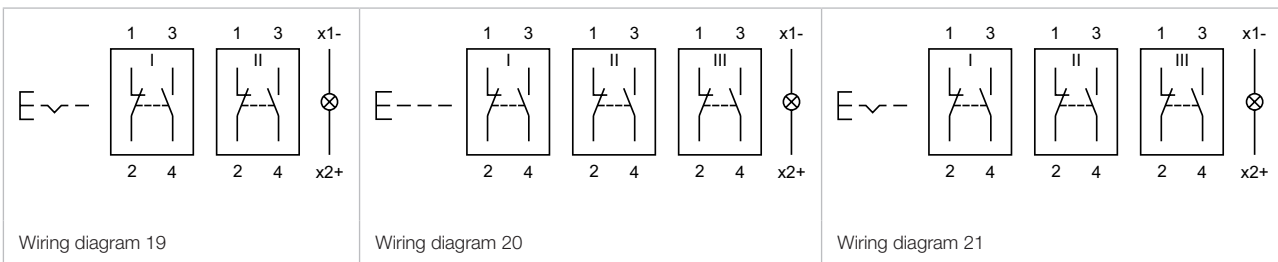
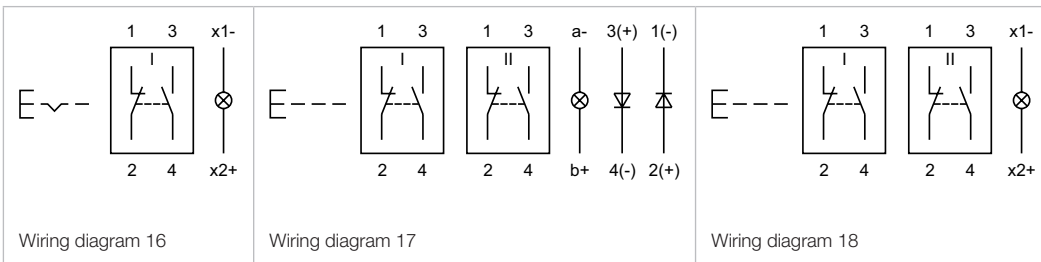
- For front dimension Ø 29 mm
- For LED element fitting information see «Application guidelines»

| Switching system | Contacts | Diode 1N4007 | Switching action | Terminal | Part No. | Component layout | Wiring diagram | Weight |
|--|-------------|--------------|------------------|------------------------|--------------------|------------------|----------------|----------|
|  Illuminated pushbutton actuator | | | | | | | | |
| Low-level element | 1 NC | | B | Universal 2.0 x 0.5 mm | 14-436.036 | 1 | 1 | 0.015 kg |
| | | | C | Universal 2.0 x 0.5 mm | 14-476.036 | 1 | 2 | 0.015 kg |
| | 1 NC + 1 NO | | B | Universal 2.0 x 0.5 mm | 14-433.036 | 1 | 3 | 0.015 kg |
| | | | C | Universal 2.0 x 0.5 mm | 14-473.036 | 1 | 4 | 0.015 kg |
| | 1 NO | | B | Universal 2.0 x 0.5 mm | 14-435.036 | 1 | 5 | 0.015 kg |
| | | | C | Universal 2.0 x 0.5 mm | 14-475.036 | 1 | 6 | 0.015 kg |
| | 2 NC | | B | Universal 2.0 x 0.5 mm | 14-432.036 | 1 | 7 | 0.015 kg |
| | | | C | Universal 2.0 x 0.5 mm | 14-472.036 | 1 | 8 | 0.015 kg |
| | 2 NO | | B | Universal 2.0 x 0.5 mm | 14-431.036 | 1 | 9 | 0.015 kg |
| | | | C | Universal 2.0 x 0.5 mm | 14-471.036 | 1 | 10 | 0.015 kg |
| Snap-action switching element | 1 NC + 1 NO | 1 | B | Universal-Solder | 14-743.0292 | 1 | 11 | 0.014 kg |
| | | | C | Universal-Solder | 14-747.0292 | 1 | 12 | 0.014 kg |
| | | 2 | B | Universal-Solder | 14-744.0292 | 1 | 13 | 0.014 kg |
| | | | C | Universal-Solder | 14-748.0292 | 1 | 14 | 0.014 kg |
| | | | B | Solder 2.8 x 0.5 mm | 14-131.022 | | 24 | 0.013 kg |
| | | | B | Solder | 14-131.0252 | | 15 | 0.013 kg |
| | 2 NC + 2 NO | 2 | C | Solder 2.8 x 0.5 mm | 14-271.022 | | 25 | 0.013 kg |
| | | | C | Solder | 14-271.0252 | | 16 | 0.013 kg |
| | | | B | Universal-Solder | 14-746.0292 | 1 | 17 | 0.016 kg |
| | | | B | Solder | 14-132.0252 | | 18 | 0.015 kg |

14 Raised design

| Switching system | Contacts | Diode 1N4007 | Switching action | Terminal | Part No. | Component layout | Wiring diagram | Weight |
|-------------------------------|-------------|--------------|------------------|----------|--------------------|------------------|----------------|----------|
| Snap-action switching element | 2 NC + 2 NO | | C | Solder | 14-272.0252 | | 19 | 0.015 kg |
| | 3 NC + 3 NO | | B | Solder | 14-133.0252 | | 20 | 0.017 kg |
| | | | C | Solder | 14-273.0252 | | 21 | 0.017 kg |
| | | | B | Solder | 14-134.0252 | | 22 | 0.019 kg |
| | 4 NC + 4 NO | | C | Solder | 14-274.0252 | | 23 | 0.019 kg |

Contacts: NC = Normally closed, NO = Normally open
 Switching action: B = Momentary, C = Maintain
 The component layouts you will find from page 55





14 Raised design

Mushroom-head pushbutton, IP 67



Product can differ from the current configuration.



Dimensions [mm]
 L = Solder terminal,
 L1 = Solder terminal 2.8 x 0.5 mm,
 H = Universal terminal 2.0 x 0.5 mm

Additional Information

- For front dimension Ø 40 mm




Mounting cut-outs [mm]

Equipment consisting of (schematic overview)



Each Part Number listed below includes all the black components shown in the 3D-drawing.

To obtain a complete unit, please select the red components from the pages shown.

| Switching system | Contacts | Switching action | Terminal | Part No. | Component layout | Wiring diagram | Weight |
|--|-------------|------------------|------------------------|--------------------|------------------|----------------|----------|
|  Mushroom-head pushbutton actuator | | | | | | | |
| Low-level element | 1 NC | B | Universal 2.0 x 0.5 mm | 14-436.036 | 1 | 1 | 0.015 kg |
| | | C | Universal 2.0 x 0.5 mm | 14-476.036 | 1 | 2 | 0.015 kg |
| | 1 NC + 1 NO | B | Universal 2.0 x 0.5 mm | 14-433.036 | 1 | 3 | 0.015 kg |
| | | C | Universal 2.0 x 0.5 mm | 14-473.036 | 1 | 4 | 0.015 kg |
| | 1 NO | B | Universal 2.0 x 0.5 mm | 14-435.036 | 1 | 5 | 0.015 kg |
| | | C | Universal 2.0 x 0.5 mm | 14-475.036 | 1 | 6 | 0.015 kg |
| | 2 NC | B | Universal 2.0 x 0.5 mm | 14-432.036 | 1 | 7 | 0.015 kg |
| | | C | Universal 2.0 x 0.5 mm | 14-472.036 | 1 | 8 | 0.015 kg |
| | 2 NO | B | Universal 2.0 x 0.5 mm | 14-431.036 | 1 | 9 | 0.015 kg |
| | | C | Universal 2.0 x 0.5 mm | 14-471.036 | 1 | 10 | 0.015 kg |
| Snap-action switching element | 1 NC + 1 NO | B | Solder 2.8 x 0.5 mm | 14-131.022 | | 19 | 0.013 kg |
| | | B | Solder | 14-131.0252 | | 11 | 0.013 kg |
| | | C | Solder 2.8 x 0.5 mm | 14-271.022 | | 20 | 0.013 kg |
| | | C | Solder | 14-271.0252 | | 12 | 0.013 kg |
| | 2 NC + 2 NO | B | Solder | 14-132.0252 | | 13 | 0.015 kg |
| | | C | Solder | 14-272.0252 | | 14 | 0.015 kg |
| | 3 NC + 3 NO | B | Solder | 14-133.0252 | | 15 | 0.017 kg |
| | | C | Solder | 14-273.0252 | | 16 | 0.017 kg |
| | 4 NC + 4 NO | B | Solder | 14-134.0252 | | 17 | 0.019 kg |
| | | C | Solder | 14-274.0252 | | 18 | 0.019 kg |

Contacts: NC = Normally closed, NO = Normally open
 Switching action: B = Momentary, C = Maintain
 The component layouts you will find from page 55



14 Raised design

Illuminated mushroom head pushbutton, IP 67



Product can differ from the current configuration.



Dimensions [mm]
 L = Solder terminal,
 L1 = Solder terminal 2.8 x 0.5 mm,
 H = Universal terminal 2.0 x 0.5 mm,
 H1 = Universal-Solder terminal

Additional Information

- For front dimension $\varnothing 29$ mm
- For LED element fitting information see «Application guidelines»



Mounting cut-outs [mm]

Equipment consisting of (schematic overview)



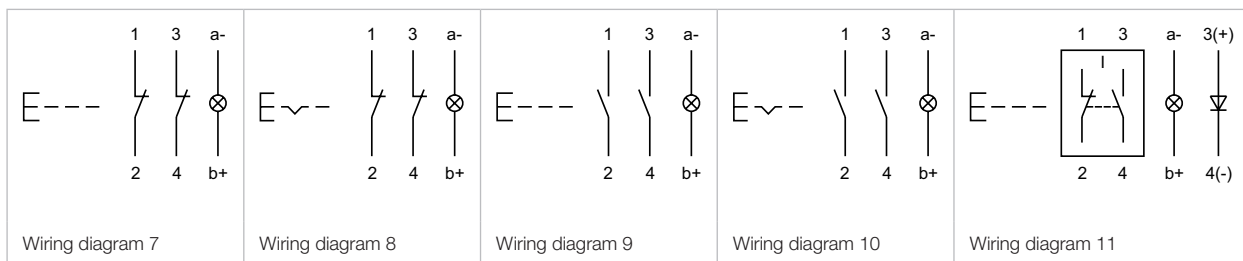
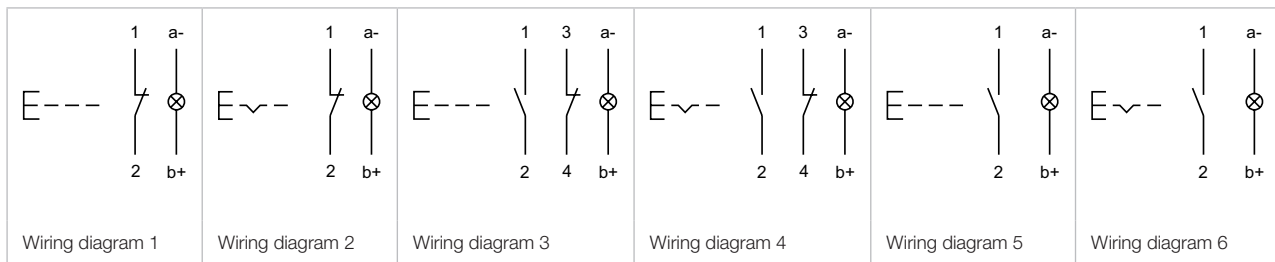
Each Part Number listed below includes all the black components shown in the 3D-drawing.

To obtain a complete unit, please select the red components from the pages shown.

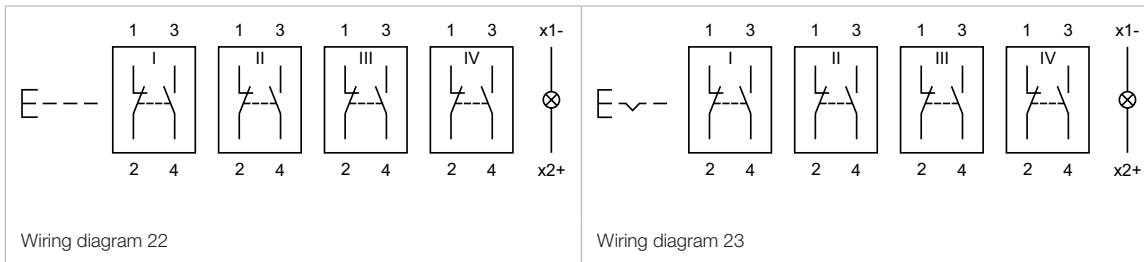
| Switching system | Contacts | Diode 1N4007 | Switching action | Terminal | Part No. | Component layout | Wiring diagram | Weight | |
|--|-------------------------------|--------------|------------------------|------------------------|--------------------|--------------------|----------------|----------|----------|
|  <p>Mushroom-head pushbutton actuator illuminated</p> | Low-level element | 1 NC | B | Universal 2.0 x 0.5 mm | 14-436.036 | 1 | 1 | 0.015 kg | |
| | | | C | Universal 2.0 x 0.5 mm | 14-476.036 | 1 | 2 | 0.015 kg | |
| | 1 NC + 1 NO | B | Universal 2.0 x 0.5 mm | 14-433.036 | 1 | 3 | 0.015 kg | | |
| | | C | Universal 2.0 x 0.5 mm | 14-473.036 | 1 | 4 | 0.015 kg | | |
| | 1 NO | 1 | B | Universal 2.0 x 0.5 mm | 14-435.036 | 1 | 5 | 0.015 kg | |
| | | | C | Universal 2.0 x 0.5 mm | 14-475.036 | 1 | 6 | 0.015 kg | |
| | 2 NC | 1 | B | Universal 2.0 x 0.5 mm | 14-432.036 | 1 | 7 | 0.015 kg | |
| | | | C | Universal 2.0 x 0.5 mm | 14-472.036 | 1 | 8 | 0.015 kg | |
| | 2 NO | 1 | B | Universal 2.0 x 0.5 mm | 14-431.036 | 1 | 9 | 0.015 kg | |
| | | | C | Universal 2.0 x 0.5 mm | 14-471.036 | 1 | 10 | 0.015 kg | |
| | Snap-action switching element | 1 NC + 1 NO | 1 | B | Universal-Solder | 14-743.0292 | 1 | 11 | 0.014 kg |
| | | | | C | Universal-Solder | 14-747.0292 | 1 | 12 | 0.014 kg |
| 2 | | | B | Universal-Solder | 14-744.0292 | 1 | 13 | 0.014 kg | |
| | | | C | Universal-Solder | 14-748.0292 | 1 | 14 | 0.014 kg | |
| 2 NC + 2 NO | | 2 | B | Solder 2.8 x 0.5 mm | 14-131.022 | | 24 | 0.013 kg | |
| | | | B | Solder | 14-131.0252 | | 15 | 0.013 kg | |
| | | | C | Solder 2.8 x 0.5 mm | 14-271.022 | | 25 | 0.013 kg | |
| | | | C | Solder | 14-271.0252 | | 16 | 0.013 kg | |
| | | | B | Universal-Solder | 14-746.0292 | 1 | 17 | 0.016 kg | |
| | | | C | Solder | 14-132.0252 | | 18 | 0.015 kg | |
| | | C | Solder | 14-272.0252 | | 19 | 0.015 kg | | |

| Switching system | Contacts | Diode 1N4007 | Switching action | Terminal | Part No. | Component layout | Wiring diagram | Weight |
|-------------------------------|-------------|--------------|------------------|----------|--------------------|------------------|----------------|----------|
| Snap-action switching element | 3 NC + 3 NO | | B | Solder | 14-133.0252 | | 20 | 0.017 kg |
| | | | C | Solder | 14-273.0252 | | 21 | 0.017 kg |
| | 4 NC + 4 NO | | B | Solder | 14-134.0252 | | 22 | 0.019 kg |
| | | | C | Solder | 14-274.0252 | | 23 | 0.019 kg |

Contacts: NC = Normally closed, NO = Normally open
 Switching action: B = Momentary, C = Maintain
 The component layouts you will find from page 55

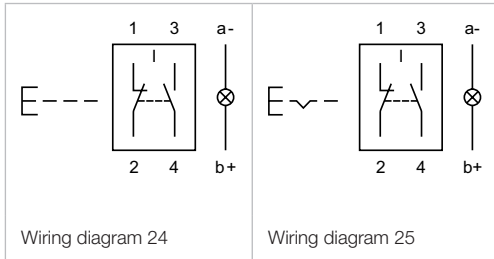


14 Raised design



Wiring diagram 22

Wiring diagram 23



Wiring diagram 24

Wiring diagram 25

Keylock switch 2 positions, IP 65

Equipment consisting of (schematic overview)

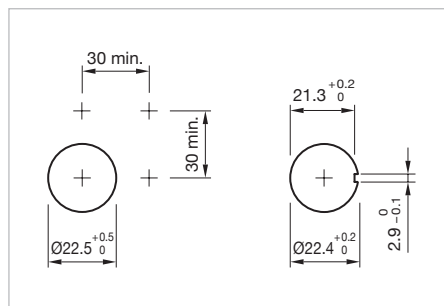


Dimensions [mm]
 L = Solder terminal,
 L1 = Solder terminal 2.8 x 0.5 mm,
 H = Universal terminal 2.0 x 0.5 mm



Product can differ from the current configuration.

Each Part Number listed below includes all the black components shown in the 3D-drawing.



Mounting cut-outs [mm]
 Other mounting cut-outs see «Drawings»

Additional Information

- Front plastic black
- Frontring aluminium natural anodized
- The standard lock: KABA 1001
- Two keys are supplied with each key lock switch
- Optional lock numbers on request
- The colour of anodized aluminium parts can vary due to technical production reasons



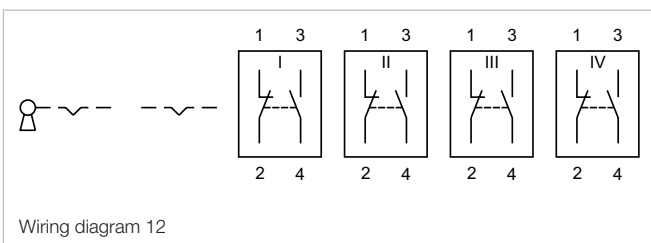
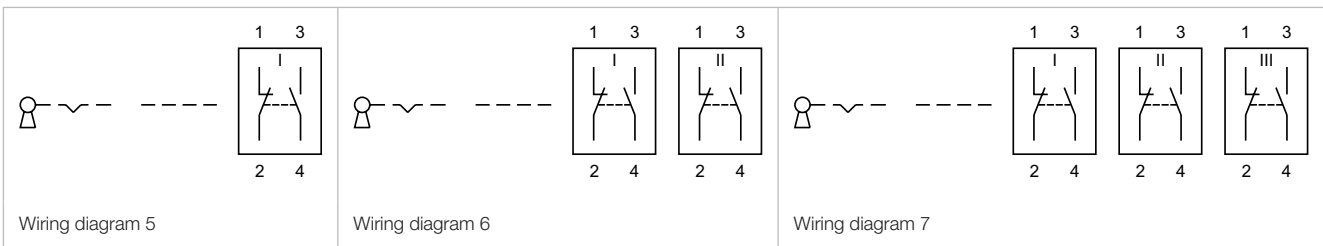
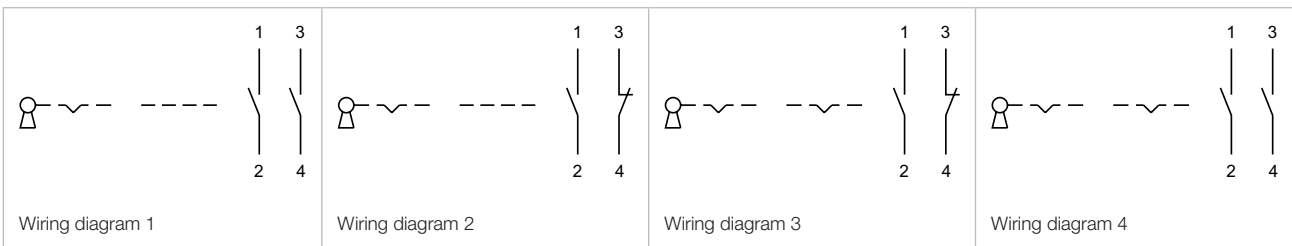
Switching positions (A = Rest, B = Momentary, C = Maintained)

| Switching system | Contacts | Switching action | Switching angle | Key remove | Terminal | Part No. | Component layout | Wiring diagram | Weight |
|---|-------------|------------------|------------------------|------------------------|------------------------|---------------------|------------------|----------------|----------|
|  Keylock switch actuator 2 positions, Front dimension Ø 29 mm | | | | | | | | | |
| Low-level element | 2 NO | A - B | B = 42° | A | Universal 2.0 x 0.5 mm | 14-437.036K | 1 | 1 | 0.030 kg |
| | 1 NC + 1 NO | A - B | B = 42° | A | Universal 2.0 x 0.5 mm | 14-438.036K | 1 | 2 | 0.030 kg |
| | | A - C | C = 90° | A + C | Universal 2.0 x 0.5 mm | 14-412.036K | 1 | 3 | 0.030 kg |
| | | | A | Universal 2.0 x 0.5 mm | 14-415.036K | 1 | 3 | 0.030 kg | |
| | 2 NO | A - C | C = 90° | C | Universal 2.0 x 0.5 mm | 14-418.036K | 1 | 3 | 0.030 kg |
| | | | | A + C | Universal 2.0 x 0.5 mm | 14-411.036K | 1 | 4 | 0.030 kg |
| | | A | Universal 2.0 x 0.5 mm | 14-414.036K | 1 | 4 | 0.030 kg | | |
| | | | C | Universal 2.0 x 0.5 mm | 14-417.036K | 1 | 4 | 0.030 kg | |
| Snap-action switching element | 1 NC + 1 NO | A - B | B = 42° | A | Solder 2.8 x 0.5 mm | 14-141.022K | | 5 | 0.029 kg |
| | | | | A | Solder | 14-141.025K2 | | 5 | 0.029 kg |
| | 2 NC + 2 NO | A - B | B = 42° | A | Solder | 14-142.025K2 | | 6 | 0.031 kg |
| | 3 NC + 3 NO | A - B | B = 42° | A | Solder | 14-143.025K2 | | 7 | 0.033 kg |
| | 4 NC + 4 NO | A - B | B = 42° | A | Solder | 14-144.025K2 | | 8 | 0.035 kg |
| | 1 NC + 1 NO | A - C | C = 90° | A + C | Solder | 14-135.025K2 | | 9 | 0.029 kg |
| | | | | A | Solder | 14-235.025K2 | | 9 | 0.029 kg |
| C | | | | Solder | 14-335.025K2 | | 9 | 0.029 kg | |

14 Raised design

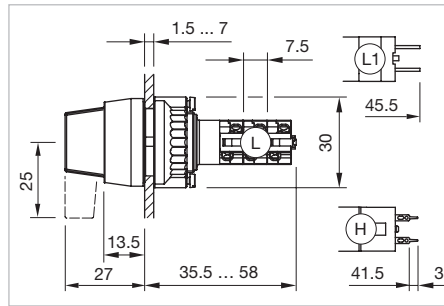
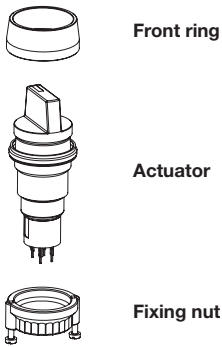
| Switching system | Contacts | Switching action | Switching angle | Key remove | Terminal | Part No. | Component layout | Wiring diagram | Weight |
|-------------------------------|-------------|------------------|-----------------|------------|---------------------|---------------------|------------------|----------------|----------|
| Snap-action switching element | 1 NC + 1 NO | A - C | C = 90° | A + C | Solder 2.8 x 0.5 mm | 14-135.022K | | 9 | 0.029 kg |
| | | | | A | Solder 2.8 x 0.5 mm | 14-235.022K | | 9 | 0.029 kg |
| | | | | C | Solder 2.8 x 0.5 mm | 14-335.022K | | 9 | 0.029 kg |
| | 2 NC + 2 NO | A - C | C = 90° | A + C | Solder | 14-136.025K2 | | 10 | 0.031 kg |
| | | | | A | Solder | 14-236.025K2 | | 10 | 0.031 kg |
| | | | | C | Solder | 14-336.025K2 | | 10 | 0.031 kg |
| | 3 NC + 3 NO | A - C | C = 90° | A + C | Solder | 14-137.025K2 | | 11 | 0.033 kg |
| | | | | A | Solder | 14-237.025K2 | | 11 | 0.033 kg |
| | | | | C | Solder | 14-337.025K2 | | 11 | 0.033 kg |
| | 4 NC + 4 NO | A - C | C = 90° | A + C | Solder | 14-138.025K2 | | 12 | 0.035 kg |
| | | | | A | Solder | 14-238.025K2 | | 12 | 0.035 kg |
| | | | | C | Solder | 14-338.025K2 | | 12 | 0.035 kg |

Contacts: NC = Normally closed, NO = Normally open
 Switching action: B = Momentary, C = Maintain
 The component layouts you will find from page 55



Selector switch 2 positions, IP 67

Equipment consisting of (schematic overview)

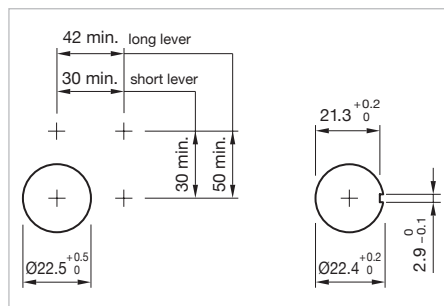


Dimensions [mm]
 L = Solder terminal,
 L1 = Solder terminal 2.8 x 0.5 mm,
 H = Universal terminal 2.0 x 0.5 mm



Product can differ from the current configuration.

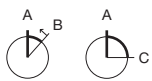
Each Part Number listed below includes all the black components shown in the 3D-drawing.



Mounting cut-outs [mm]
 Other mounting cut-outs see «Drawings»

Additional Information

- Non-illuminative
- Frontring aluminium natural anodized
- The colour of anodized aluminium parts can vary due to technical production reasons



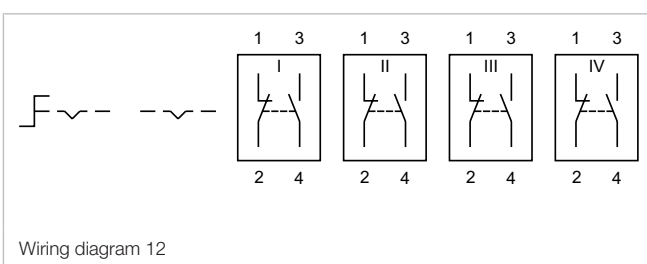
Switching positions (A = Rest, B = Momentary, C = Maintained)

| Lever | Switching system | Contacts | Switching action | Switching angle | Terminal | Part No. | Component layout | Wiring diagram | Weight |
|-------|---------------------|-------------------------------|------------------|---------------------|------------------------|------------------------|---------------------|----------------|----------|
| | Plastic black short | 1 NC + 1 NO | A - B | B = 42° | Universal 2.0 x 0.5 mm | 14-517.0360 | 1 | 1 | 0.025 kg |
| | | | A - C | C = 90° | Universal 2.0 x 0.5 mm | 14-522.0360 | 1 | 2 | 0.025 kg |
| | | 2 NC | A - C | C = 90° | Universal 2.0 x 0.5 mm | 14-521.0360 | 1 | 3 | 0.025 kg |
| | | | 2 NO | A - B | B = 42° | Universal 2.0 x 0.5 mm | 14-515.0360 | 1 | 4 |
| | | A - C | | C = 90° | Universal 2.0 x 0.5 mm | 14-520.0360 | 1 | 5 | 0.025 kg |
| | | Snap-action switching element | 1 NC + 1 NO | A - B | B = 42° | Solder 2.8 x 0.5 mm | 14-501.0220 | 6 | 0.024 kg |
| | | | | A - B | B = 42° | Solder | 14-501.02502 | 6 | 0.024 kg |
| | | | | A - C | C = 90° | Solder 2.8 x 0.5 mm | 14-506.0220 | 7 | 0.024 kg |
| | | | | A - C | C = 90° | Solder | 14-506.02502 | 7 | 0.024 kg |
| | | | 2 NC + 2 NO | A - B | B = 42° | Solder | 14-502.02502 | 8 | 0.026 kg |
| | A - C | C = 90° | Solder | 14-507.02502 | 9 | 0.026 kg | | | |
| | 3 NC + 3 NO | A - B | B = 42° | Solder | 14-503.02502 | 10 | 0.028 kg | | |
| | | A - C | C = 90° | Solder | 14-508.02502 | 11 | 0.028 kg | | |
| | 4 NC + 4 NO | A - C | C = 90° | Solder | 14-509.02502 | 12 | 0.030 kg | | |

14 Raised design

| Lever | Switching system | Contacts | Switching action | Switching angle | Terminal | Part No. | Component layout | Wiring diagram | Weight | |
|---|--|-------------------|------------------|-----------------|---------------------|------------------------|--------------------|----------------|----------|----------|
|  | Selector switch actuator 2 positions, Front dimension Ø 29 mm | | | | | | | | | |
| | Plastic black long | Low-level element | 1 NC + 1 NO | A - C | C = 90° | Universal 2.0 x 0.5 mm | 14-572.0360 | 1 | 2 | 0.025 kg |
| | | | 2 NO | A - C | C = 90° | Universal 2.0 x 0.5 mm | 14-570.0360 | 1 | 5 | 0.025 kg |
| | Snap-action switching element | 1 NC + 1 NO | A - C | C = 90° | Solder 2.8 x 0.5 mm | 14-556.0220 | | 7 | 0.024 kg | |
| | | | A - C | C = 90° | Solder | 14-556.02502 | | 7 | 0.024 kg | |
| | | | A - C | C = 90° | Solder | 14-557.02502 | | 9 | 0.026 kg | |
| A - C | | | C = 90° | Solder | | | | | | |

Contacts: NC = Normally closed, NO = Normally open
 Switching action: B = Momentary, C = Maintain
 The component layouts you will find from page 55



Front

Lens plastic

Additional Information

- To obtain IP 67 use marking plate Part No. 704.609.X

| Product attribute | Dimension | Lens | Symbol | Part No. | Weight |
|---|-----------|------------------------|--------|---------------------|----------|
|  Lens plastic round flat | | | | | |
| non-illuminative | Ø 23.7 mm | black opaque | | 704.602.0 | 0.001 kg |
| illuminative | Ø 23.7 mm | red transparent | | 704.602.2 | 0.001 kg |
| | | yellow transparent | | 704.602.4 | 0.001 kg |
| | | green transparent | | 704.602.5 | 0.001 kg |
| | | blue transparent | | 704.602.6 | 0.001 kg |
| | | colourless transparent | | 704.602.7 | 0.001 kg |
|  Lens plastic round flat | | | | | |
| illuminative | Ø 23.7 mm | colourless transparent | Ring | 704.602.7A01 | 0.001 kg |

Lens plastic increased

Additional Information

- To obtain IP 67 use marking plate Part No. 704.610.X

| Product attribute | Dimension | Lens | Part No. | Weight |
|---|-----------|------------------------|------------------|----------|
|  Lens plastic round increased | | | | |
| illuminative | Ø 23.7 mm | red transparent | 704.611.2 | 0.002 kg |
| | | yellow transparent | 704.611.4 | 0.002 kg |
| | | green transparent | 704.611.5 | 0.002 kg |
| | | colourless transparent | 704.611.7 | 0.002 kg |

14 Accessories

Lens metal with dot

Additional Information

- To obtain IP 67 use marking plate Part No. 704.609.X
- The colour of anodized aluminium parts can vary due to technical production reasons

| Product attribute | Dimension | Lens | Part No. | Weight |
|---|-----------|--------------------------------|-------------------|----------|
|  <p>Lens metal with spot round</p> | | | | |
| illuminative | Ø 23.7 mm | Aluminium black anodized | 704.601.01 | 0.001 kg |
| | | Aluminium red anodized | 704.601.21 | 0.001 kg |
| | | Aluminium gold anodized | 704.601.41 | 0.001 kg |
| | | Aluminium olive-green anodized | 704.601.51 | 0.001 kg |
| | | Aluminium blue anodized | 704.601.61 | 0.001 kg |
| | | Aluminium natural anodized | 704.601.81 | 0.001 kg |
| | | Stainless-steel natural | 704.601.91 | 0.001 kg |

Lens metal

Additional Information

- To obtain IP 67 use marking plate Part No. 704.609.X
- The colour of anodized aluminium parts can vary due to technical production reasons

| Product attribute | Dimension | Lens | Part No. | Weight |
|--|-----------|--------------------------------|------------------|----------|
|  <p>Lens metal round</p> | | | | |
| non-illuminative | Ø 23.7 mm | Aluminium black anodized | 704.601.0 | 0.001 kg |
| | | Aluminium red anodized | 704.601.2 | 0.001 kg |
| | | Aluminium gold anodized | 704.601.4 | 0.001 kg |
| | | Aluminium olive-green anodized | 704.601.5 | 0.001 kg |
| | | Aluminium blue anodized | 704.601.6 | 0.001 kg |
| | | Aluminium natural anodized | 704.601.8 | 0.001 kg |
| | | Stainless-steel natural | 704.601.9 | 0.001 kg |

Lens cap, Plastic

Additional Information

- To obtain IP 67 use marking plate Part No. 704.608.X

| Product attribute | Lens cap | Part No. | Weight | |
|---|--------------|--------------------|------------------|----------|
|  <p>Lens cap round, Front dimension Ø 29 mm</p> | | | | |
| | illuminative | Plastic red | 704.603.2 | 0.003 kg |
| | | Plastic yellow | 704.603.4 | 0.003 kg |
| | | Plastic green | 704.603.5 | 0.003 kg |
| | | Plastic blue | 704.603.6 | 0.003 kg |
| | | Plastic colourless | 704.603.7 | 0.003 kg |

Mushroom-head cap, Plastic

Additional Information

- To obtain IP 67 use marking plate Part No. 704.609.9

| Mushroom-head cap | Part No. | Weight | |
|--|---------------|------------------|----------|
|  <p>Mushroom-head cap, Front dimension Ø 40 mm</p> | | | |
| | black opaque | 704.604.0 | 0.001 kg |
| | red opaque | 704.604.2 | 0.001 kg |
| | yellow opaque | 704.604.4 | 0.001 kg |
| | green opaque | 704.604.5 | 0.001 kg |

14 Accessories





Mushroom-head cap illuminated, Plastic

Additional Information

- To obtain IP 67 use marking plate
Part No. 704.609.9

| Mushroom-head cap | Part No. | Weight |
|---|------------------|----------|
|  Mushroom-head cap illuminated, Front dimension Ø 40 mm | | |
| red transparent | 704.614.2 | 0.007 kg |
| yellow transparent | 704.614.4 | 0.007 kg |
| green transparent | 704.614.5 | 0.007 kg |
| blue transparent | 704.614.6 | 0.007 kg |
| colourless transparent | 704.614.7 | 0.007 kg |

Marking plate

| Marking plate illumination | Marking plate | Part No. | Weight |
|---|-------------------------------|---------------------|----------|
|  Marking plate for lens plastic and metal | | | |
| non-illuminative | black opaque | 704.609.0 | 0.001 kg |
|  Marking plate for lens plastic and metal | | | |
| LED | colourless transparent ripped | 704.609.7 | 0.001 kg |
|  Marking plate for lens plastic and metal | | | |
| LED and filament lamp | white translucent | 704.609.9 | 0.001 kg |
|  Legend plate for lens plastic | | | |
| Halo illumination | white translucent | 704.609.9A01 | 0.001 kg |

Marking plate mushroom-head cap

| Marking plate | Part No. | Weight |
|---|------------------|----------|
|  <p>Marking plate for mushroom-head cap</p> | | |
| white translucent | 704.609.9 | 0.001 kg |

Marking cap lens increased

| Marking cap illumination | Marking cap | Part No. | Weight |
|---|-------------------------------|------------------|----------|
|  <p>Marking cap for lens plastic increased</p> | | | |
| LED | colourless transparent ripped | 704.610.7 | 0.001 kg |
|  <p>Marking cap for lens plastic increased</p> | | | |
| LED and filament lamp | white translucent | 704.610.9 | 0.001 kg |

Marking cap for lens cap, Plastic


| Marking cap illumination | Marking cap | Part No. | Weight |
|--|-------------------------------|------------------|----------|
|  <p>Marking cap for lens cap</p> | | | |
| LED | colourless transparent ripped | 704.608.7 | 0.002 kg |
|  <p>Marking cap for lens cap</p> | | | |
| LED and filament lamp | white translucent | 704.608.9 | 0.002 kg |

14 Accessories

Front bezel set

Additional Information

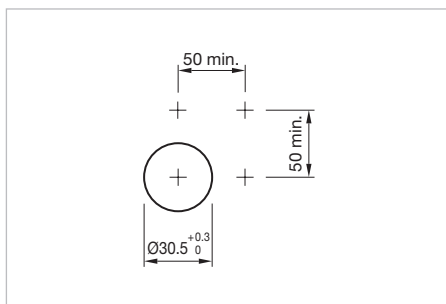
- The colour of anodized aluminium parts can vary due to technical production reasons

| Mounting cut-out | Front ring | Part No. | Weight | |
|---|------------|----------------------------|-----------------|----------|
|  <p>Front bezel set, flush design, Front dimension Ø 35 mm</p> | | | | |
| | Ø 30.5 mm | Aluminium black anodized | 14-955.0 | 0.015 kg |
| | | Aluminium natural anodized | 14-955.1 | 0.015 kg |
| | | Stainless-steel natural | 14-955.9 | 0.033 kg |


Front bezel mushroom

Additional Information

- The colour of anodized aluminium parts can vary due to technical production reasons



Mounting cut-outs [mm]

| Mounting cut-out | Front ring | Part No. | Weight | |
|--|------------|----------------------------|-----------------|----------|
|  <p>Front bezel set for mushroom-head pushbutton, flush design, Front dimension Ø 50 mm</p> | | | | |
| | Ø 30.5 mm | Aluminium natural anodized | 14-958.8 | 0.042 kg |
| | | Aluminium black anodized | 14-958.0 | 0.042 kg |

Front bezel set with protective membrane, IP 67

Additional Information

- For illuminated pushbutton for front protection IP 67
- Front ring to be mounted with a torque of 40 Ncm onto actuator
- Before assembling remove the flat gasket of the switch
- The colour of anodized aluminium parts can vary due to technical production reasons

| Product attribute | Front ring | Part No. | Weight |
|---|----------------------------|------------------|----------|
|  <p>Front bezel set with protective membrane, flush design, Front dimension Ø 35 mm</p> | | | |
| with transparent silicone membrane | Aluminium natural anodized | 14-955.3 | 0.015 kg |
| | Aluminium black anodized | 14-955.4 | 0.015 kg |
| with transparent silicone membrane, resistant to sea water | Stainless-steel natural | 14-955.9E | 0.033 kg |

Front ring

Additional Information

- The colour of anodized aluminium parts can vary due to technical production reasons


| Front ring | Part No. | Weight |
|---|-------------------|----------|
|  <p>Front ring, Front dimension Ø 29 mm</p> | | |
| Plastic black | 704.600.0 | 0.003 kg |
| Aluminium natural anodized | 704.600.1 | 0.005 kg |
| Aluminium black anodized | 704.600.1A | 0.005 kg |
| Plastic light-grey | 704.600.6 | 0.003 kg |
| Stainless-steel natural | 704.600.9 | 0.006 kg |

14 Accessories

Front ring for mushroom-head pushbutton

Additional Information


- The colour of anodized aluminium parts can vary due to technical production reasons

| Front ring | Part No. | Weight |
|--|-------------------|----------|
|  <p>Front ring for mushroom-head pushbutton, Front dimension Ø 29 mm</p> | | |
| Plastic black | 704.600.0 | 0.003 kg |
| Aluminium natural anodized | 704.600.1 | 0.005 kg |
| Aluminium black anodized | 704.600.1A | 0.005 kg |
| Plastic light-grey | 704.600.6 | 0.003 kg |
| Stainless-steel natural | 704.600.9 | 0.006 kg |

Front protective cap, IP 68

Additional Information


- For Indicator and Illuminated pushbutton for IP 68 protection

| Product attribute | Material | Colour | Optics | Part No. | Weight |
|--|----------|------------|-------------|------------------|----------|
|  <p>Front protective cap</p> | | | | | |
| only together with lenses Part No. 704.602.X, 704.601.X and front rings Part No. 704.600.X | Silicone | colourless | transparent | 704.953.0 | 0.002 kg |

Front protective ring, IP 67

Additional Information

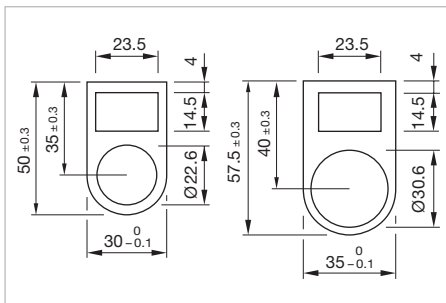
- For illuminated pushbutton with front illumination for IP 67 protection
- Front protective ring to be mounted with a torque of 40 Ncm onto actuator

| Product attribute | Material | Colour | Part No. | Weight |
|---|-----------|------------------|--------------------|----------|
|  <p>Front protective ring</p> | | | | |
| with transparent silicone membrane (extent resistant to sea water), temperature resistance -40 °C ... +85 °C | Brass | chrome | 704.600.2 | 0.005 kg |
| with transparent silicone membrane (extent resistant to sea water), temperature resistance -40 °C ... +85 °C | Aluminium | natural anodized | 704.600.3 | 0.005 kg |
| with transparent Pebax membrane, temperature resistance -40 °C ... +85 °C | Aluminium | natural anodized | 704.600.5/A | 0.005 kg |


Legend frame

Additional Information

- The colour of anodized aluminium parts can vary due to technical production reasons



Dimensions [mm]

| Product attribute | Dimension | Material | Colour | Mounting type | Part No. | Weight |
|--|---------------------|-----------|----------------|---------------|------------------|----------|
|  <p>Legend frame</p> | | | | | | |
| for raised design | 30 x 50 x 0.75 mm | Aluminium | black anodized | adhesive | 704.968.2 | 0.001 kg |
| for flush design | 35 x 57.5 x 0.75 mm | Aluminium | black anodized | adhesive | 704.968.3 | 0.001 kg |

14 Accessories

Legend plate

Additional Information

- For legend frame Part No.704.968.2 and 704.968.3
- The colour of anodized aluminium parts can vary due to technical production reasons

| Dimension | Material | Colour | Mounting type | Part No. | Weight |
|--|-----------|------------------|---------------|------------------|----------|
|  <p>Legend plate for legend frame</p> | Aluminium | natural anodized | adhesive | 704.968.0 | 0.001 kg |
| | | black anodized | adhesive | 704.968.1 | 0.001 kg |
| | | | | | |

Protective cover flush design, IP 65

Additional Information

- Hinged
- Front panel thickness reduces by 2 mm
- The dimensions of the mounting cut-outs are shown in the product details
- Please note that bigger minimum distances are necessary
- The colour of anodized aluminium parts can vary due to technical production reasons



Dimensions [mm]

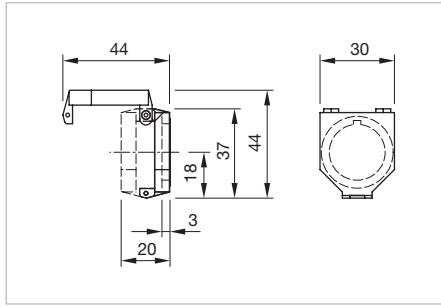
| Product attribute | Mounting cut-out | Material | Colour | Optics | Part No. | Weight |
|--|------------------|-----------|------------------|-------------|-------------------|----------|
|  <p>Protective cover round, flush design</p> | | | | | | |
| with means for sealing, for pushbutton | Ø 30.5 mm | Plastic | colourless | transparent | 704.925.7 | 0.006 kg |
|  <p>Protective cover round, flush design</p> | | | | | | |
| not with means for sealing, with spring fitted, with window, for pushbutton | Ø 30.5 mm | Aluminium | natural anodized | | 704.928.18 | 0.019 kg |
|  <p>Protective cover round, flush design</p> | | | | | | |
| with means for sealing, for pushbutton and selector switch short lever | Ø 30.5 mm | Aluminium | natural anodized | | 704.928.28 | 0.019 kg |
|  <p>Protective cover round, flush design</p> | | | | | | |
| with means for sealing, for pushbutton and selector switch short lever | Ø 30.5 mm | Aluminium | natural anodized | | 704.928.38 | 0.019 kg |

14 Accessories

Protection cover, raised design, IP 65

Additional Information

- Hinged, with means for sealing
- Protection cover Part No. 704.925.2 only for selector switches in basic position A applicable
- Front panel thickness reduces by 3 mm
- The dimensions of the mounting cut-outs are shown in the product details
- Please note that bigger minimum distances are necessary



Dimensions [mm]

| Product attribute | Mounting cut-out | Material | Optics | Part No. | Weight |
|--|--|----------|-------------|------------------|----------|
|  | Protection cover round, raised design | | | | |
| for pushbutton | Ø 22.5 mm | Plastic | transparent | 704.925.0 | 0.007 kg |
| with spring fitted, for pushbutton | Ø 22.5 mm | Plastic | transparent | 704.925.3 | 0.007 kg |
|  | Protection cover round, raised design | | | | |
| for selector switch | Ø 22.5 mm | Plastic | transparent | 704.925.2 | 0.007 kg |

Blind plug, IP 65

Additional Information

- The dimensions of the mounting cut-outs are shown in the product details
- Please note that bigger minimum distances are necessary



Dimensions [mm]

| Dimension | Mounting cut-out | Material | Colour | Part No. | Weight |
|---|-------------------|----------|--------|------------------|----------|
|  | Blind plug | | | | |
| Ø 28 mm | Ø 22.5 mm | Plastic | black | 704.960.4 | 0.004 kg |
|  | Blind plug | | | | |
| Ø 36 mm | Ø 30.5 mm | Plastic | black | 704.964.8 | 0.007 kg |

Spare key**Additional Information**

- For standard lock: KABA 1001
- Optional lock numbers on request

| Part No. | Weight |
|---|----------|
|  Spare key | |
| 14-987.1001 | 0.006 kg |

14 Accessories

Rear side

PCB plug-in base

Additional Information

- PCB plug-in base pins right-angle: With the extendable mounting the distance between plug-in base and PCB can be varied up to 3 mm



Abmessungen [mm]

| Product attribute | Pins | Terminal | Part No. | Component layout | Weight |
|---|--------------|----------|---------------|------------------|----------|
|  <p>PCB plug-in base for low level switching element</p> | axial | PCB | 31-940 | 2 | 0.002 kg |
|  <p>PCB plug-in base for low level switching element</p> | right-angled | PCB | 31-941 | 3 | 0.004 kg |
|  <p>PCB plug-in base for snap-action switching element 2.8 mm</p> | axial | PCB | 31-942 | 4 | 0.002 kg |

The component layouts you will find from page 55

Flat receptacle

| Product attribute | Part No. | Weight |
|---|---------------|----------|
|  <p>Flat receptacle</p> | | |
| 2.0 x 0.5 mm plug-in terminal | 31-945 | 0.001 kg |
|  <p>Flat receptacle</p> | | |
| 2.8 x 0.5 mm plug-in terminal | 31-946 | 0.001 kg |

Insulation sleeve

| Product attribute | Part No. | Weight |
|---|---------------|----------|
|  <p>Insulation sleeve</p> | | |
| Cover plug-in terminals for snap-action switching element 2.8 mm | 01-928 | 0.001 kg |
|  <p>Insulation sleeve</p> | | |
| for flat receptacle 2.0 mm | 31-928 | 0.001 kg |
|  <p>Insulation sleeve</p> | | |
| for flat receptacle 2.8 mm | 31-929 | 0.001 kg |

Terminal cover

Additional Information

- For snap-action switching element

| Part No. | Weight |
|---|----------|
|  <p>Terminal cover for snap-action switching element 16</p> | |
| 01-929 | 0.010 kg |

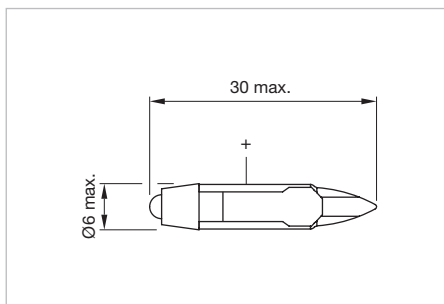
14 Accessories

Illumination


Single-LED, T5.5

Additional Information

- For LED element fitting information see «Application guidelines»
- When using AC/DC types with AC operation, slight flickering can occur
- Luminous intensity data of the LEDs on direct voltage
- Electrical and optical data are measured at 25 °C
- The specified versions are built with a protection diode (half wave rectifier) in series and the LED
- Luminosity and wave length scattering caused by LED manufacturing processes may cause slight variations in the illumination
- For supply voltages above 48V, a voltage reduction element (external series resistor or transformer) must be used
- Due to high surface temperatures, the series resistors must be soldered directly to the terminals of the equipment (use a terminal plate)



Dimensions [mm]

| LED colour | Operating voltage | Operation current | Lumi. intensity | Dom. wavelength | Part No. | Weight |
|---|-------------------|-------------------|-----------------|-----------------|---------------------|----------|
|  <p>Single-LED</p> | | | | | | |
| red | 6 VDC +10 % | 15 mA ±15 % | 350 mcd | 630 nm | 10-2106.3142 | 0.001 kg |
| | 12 VAC/DC +10 % | 7/14 mA ±15 % | 330 mcd | 630 nm | 10-2109.1062 | 0.001 kg |
| | 24 VAC/DC +10 % | 7/14 mA ±15 % | 330 mcd | 630 nm | 10-2112.1062 | 0.001 kg |
| | 28 VAC/DC +10 % | 7/14 mA ±15 % | 330 mcd | 630 nm | 10-2113.1062 | 0.001 kg |
| | 48 VAC/DC +10 % | 4/8 mA ±15 % | 200 mcd | 630 nm | 10-2119.1042 | 0.001 kg |
| yellow | 6 VDC +10 % | 15 mA ±15 % | 300 mcd | 587 nm | 10-2106.3144 | 0.001 kg |
| | 12 VAC/DC +10 % | 7/14 mA ±15 % | 280 mcd | 587 nm | 10-2109.1064 | 0.001 kg |
| | 24 VAC/DC +10 % | 7/14 mA ±15 % | 280 mcd | 587 nm | 10-2112.1064 | 0.001 kg |
| | 28 VAC/DC +10 % | 7/14 mA ±15 % | 280 mcd | 587 nm | 10-2113.1064 | 0.001 kg |
| | 48 VAC/DC +10 % | 4/8 mA ±15 % | 180 mcd | 587 nm | 10-2119.1044 | 0.001 kg |
| green | 6 VDC +10 % | 7 mA ±15 % | 1050 mcd | 525 nm | 10-2106.3145 | 0.001 kg |
| | 12 VAC/DC +10 % | 4/7 mA ±15 % | 1050 mcd | 525 nm | 10-2109.1065 | 0.001 kg |
| | 24 VAC/DC +10 % | 4/7 mA ±15 % | 1050 mcd | 525 nm | 10-2112.1065 | 0.001 kg |
| | 28 VAC/DC +10 % | 4/7 mA ±15 % | 1050 mcd | 525 nm | 10-2113.1065 | 0.001 kg |
| | 48 VAC/DC +10 % | 2/4 mA ±15 % | 600 mcd | 525 nm | 10-2119.1045 | 0.001 kg |
| blue | 6 VDC +10 % | 15 mA ±15 % | 680 mcd | 470 nm | 10-2106.3146 | 0.001 kg |
| | 12 VAC/DC +10 % | 7/14 mA ±15 % | 650 mcd | 470 nm | 10-2109.1066 | 0.001 kg |
| | 24 VAC/DC +10 % | 7/14 mA ±15 % | 650 mcd | 470 nm | 10-2112.1066 | 0.001 kg |
| | 28 VAC/DC +10 % | 7/14 mA ±15 % | 650 mcd | 470 nm | 10-2113.1066 | 0.001 kg |
| | 48 VAC/DC +10 % | 4/8 mA ±15 % | 400 mcd | 470 nm | 10-2119.1046 | 0.001 kg |

| LED colour | Operating voltage | Operation current | Lumi. intensity | Dom. wavelength | Part No. | Weight |
|------------|-------------------|-------------------|-----------------|-----------------|---------------------|----------|
| white | 6 VDC +10 % | 6 mA ±15 % | 900 mcd | x0.31/y0.32 nm | 10-2106.3149 | 0.001 kg |
| | 12 VAC/DC +10 % | 3/6 mA ±15 % | 900 mcd | x0.31/y0.32 nm | 10-2109.1069 | 0.001 kg |
| | 24 VAC/DC +10 % | 2.5/5 mA ±15 % | 750 mcd | x0.31/y0.32 nm | 10-2112.1069 | 0.001 kg |
| | 28 VAC/DC +10 % | 2.5/5 mA ±15 % | 750 mcd | x0.31/y0.32 nm | 10-2113.1069 | 0.001 kg |
| | 48 VAC/DC +10 % | 2/4 mA ±15 % | 600 mcd | x0.31/y0.32 nm | 10-2119.1049 | 0.001 kg |

Filament lamp, T5.5

| Operating voltage | Operation current | Part No. | Weight |
|---|-------------------|---------------------|----------|
|  <p>Filament lamp</p> | | | |
| 6 VAC/DC | 200 mA | 10-1106.1369 | 0.001 kg |
| 12 VAC/DC | 50 mA | 10-1109.1279 | 0.001 kg |
| 12 VAC/DC | 100 mA | 10-1109.1329 | 0.001 kg |
| 24 VAC/DC | 25 mA | 10-1112.1199 | 0.001 kg |
| 24 VAC/DC | 50 mA | 10-1112.1279 | 0.001 kg |
| 28 VAC/DC | 40 mA | 10-1113.1249 | 0.001 kg |
| 30 VAC/DC | 40 mA | 10-1114.1249 | 0.001 kg |
| 36 VAC/DC | 35 mA | 10-1116.1229 | 0.001 kg |
| 48 VAC/DC | 25 mA | 10-1119.1199 | 0.001 kg |

Series resistor

Additional Information

- Only for filament lamp 48 VAC, 25 mA
- For lamp voltage reduction
- Keep to the country specific safety instructions
- Due to high surface temperatures, the series resistor must not be soldered directly to the terminals of the equipment (use a terminal plate)

| Operating voltage | Resistance | Part No. | Weight |
|---|------------|-----------------|----------|
|  <p>Series resistor</p> | | | |
| 110 VAC | 2.7 kOhm | 02-904.0 | 0.003 kg |
| 125 VAC | 3.3 kOhm | 02-904.1 | 0.003 kg |
| 145 VAC | 4.7 kOhm | 02-904.3 | 0.003 kg |
| 240 VAC | 10 kOhm | 02-904.7 | 0.003 kg |

14 Accessories

Terminal plate empty

Additional Information

- For fitting with series resistors

| Product attribute | Dimension | Part No. | Weight |
|---|--------------------|-----------------|----------|
|  Terminal plate empty | | | |
| 5 spaces | 62.5 x 60 x 15 mm | 02-912.1 | 0.025 kg |
| 10 spaces | 125 x 60 x 15 mm | 02-912.2 | 0.045 kg |
| 15 spaces | 187.6 x 60 x 15 mm | 02-912.3 | 0.090 kg |
| 20 spaces | 250 x 60 x 15 mm | 02-912.4 | 0.095 kg |

Mounting

Positioning insert



Mounting cut-outs [mm]

| Part No. | Weight |
|--|----------|
|  <p>Positioning insert</p> | |
| 14-910 | 0.001 kg |

Anti-twist ring


| Part No. | Weight |
|---|----------|
|  <p>Anti-twist ring, flush design</p> | |
| 704.954.0 | 0.002 kg |

14 Accessories

Reducing ring

Additional Information


- You need to install two reduction rings
- For mounting of Ø 22.5 mm device into Ø 30.5 mm mounting cut-out
- The colour of anodized aluminium parts can vary due to technical production reasons

| Material | Colour | Part No. | Weight |
|---|------------------|------------------|----------|
|  <p>Reducing ring</p> | | | |
| Aluminium | black anodized | 704.960.0 | 0.004 kg |
| | natural anodized | 704.960.8 | 0.004 kg |

Lens plug

Additional Information


- For mounting and dismantling of lens round, flush design

| Part No. | Weight |
|--|----------|
|  <p>Lens plug for round lens, flush design</p> | |
| 700.006.0 | 0.003 kg |

Lamp remover

Additional Information

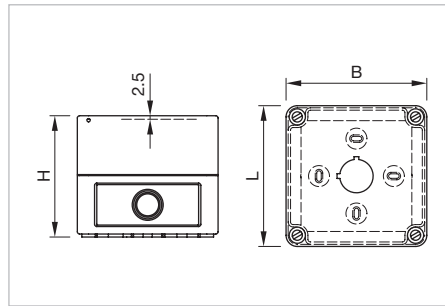
- ▲ **Caution:** A switching process might be released when replacing the lamp

| Part No. | Weight |
|--|----------|
|  <p>Lamp remover</p> | |
| 02-906 | 0.002 kg |

Enclosure, IP 66

Additional Information

- Cover lead-sealable
- Openings for cable gland M16 or M20



Dimensions [mm]

| Product attribute | Dimension | Material | Colour | Part No. | Weight |
|---|--------------------------|----------|------------------------|------------------|----------|
|  <p>Enclosure</p> | | | | | |
| with mounting cut-out 1 x Ø 22.5 mm, with anti-twist device | L 94 x B 94 x H 81 mm | Plastic | grey, similar RAL 7035 | 704.945.1 | 0.211 kg |
|  <p>Enclosure</p> | | | | | |
| with mounting cut-out 2 x Ø 22.5 mm, with anti-twist device | L 130 x B 94 x H 81 mm | Plastic | grey, similar RAL 7035 | 704.945.2 | 0.251 kg |
|  <p>Enclosure</p> | | | | | |
| with mounting cut-out 3 x Ø 22.5 mm, with anti-twist device | L 180 x B 94 x H 81 mm | Plastic | grey, similar RAL 7035 | 704.945.3 | 0.313 kg |
|  <p>Enclosure</p> | | | | | |
| with mounting cut-out 4 x Ø 22.5 mm, with anti-twist device | L 180 x B 182 x H 110 mm | Plastic | grey, similar RAL 7035 | 704.945.4 | 0.572 kg |
|  <p>Enclosure</p> | | | | | |
| with mounting cut-out 6 x Ø 22.5 mm, with anti-twist device | L 180 x B 182 x H 110 mm | Plastic | grey, similar RAL 7035 | 704.945.5 | 0.568 kg |

14 Accessories

Cable gland, IP 68

Additional Information

- With traction relief

| Product attribute | Thread | Material | Colour | Part No. | Weight |
|--|-----------|----------|--------|------------------|----------|
|  <p>Cable gland</p> | | | | | |
| Clamping range Ø 6 ... 12 mm, thread length 9 mm | M20 x 1.5 | Plastic | grey | 704-945.6 | 0.011 kg |
| Clamping range Ø 4 ... 10 mm, thread length 8 mm | M16 x 1.5 | Plastic | grey | 61-9481.6 | 0.007 kg |

Drawings



14 Technical data

Actuator with snap-action switching element

Switching system

Self-cleaning, double-break, snap action switching system (with contact gap 2 x 0.5 mm).
1 normally closed or 1 normally open contact per element.
Snap-action switching elements with soldering terminals at the sides: up to 4 switching element can be on a pushbutton (max. 4 normally closed and 4 normally open contacts).
Snap-action switching element with axial plug-in terminals 2.8 mm stackable, only 1 switching element can be on a pushbutton.

Material

Material of contact

Gold plated silver

Switch housing

Plug-in-/soldering terminal
Diallylphthalate DAP, Polyamide 66, Polysulfone, heat-resistant and self-extinguishing
Soldering terminal: PA 6.6 Ultramide

Actuator housing

Polyamide

Mechanical characteristics

Terminals

Snap-action switching element with tinned soldering terminals at the sides:
Max. wire diameter 2 wires à 1.2 mm
max. wire cross-section of stranded cable 1x 1 mm²

Snap-action switching element with axial plug-in terminals, which can also be used as soldering terminals: Plug-in terminal 2.8 x 0.5 mm

Soldering terminal:

Max. wire diameter 2 wires of 1 mm

Max. wire cross-section of stranded cable 2 x 0.75 mm² or 1 x 1.0 mm²

Tightening torque

for fixing nut max. 25 Ncm

Actuating torque

Measured at the key or lever of the keylock- or selector switch 2.5 Ncm ... 5.5 Ncm, depending on the number of switching elements

Actuating force

Maintain 5 N ... 8 N

Momentary 3 N ... 6 N

depending on the number of switching elements

Actuating travel

Illuminated pushbutton: 3 mm

Switch actuator 2 positions:

Momentary action 1 x ca. 42° deflection momentary action

Maintained action 1 x ca. 90° deflection maintained action

Rebound time

≤ 5 ms

Mechanical lifetime

Momentary action 2 million Cycles of operation

Maintained action 1 million Cycles of operation

Electrical characteristics

Standards

The devices comply with: EN IEC 61058-1

Rated voltage

250 VAC as per EN IEC 61058-1-15

Contact resistance

New state ≤ 50 mΩ as per DIN IEC 60512-2-4

Electrostatic discharge (ESD)

Keylock switch 15 kV

Rated current

5 A

Conventional free air thermal current I_{th}

5 A

The maximum current in continuous operation and at ambient temperature not exceeding the quoted maximum values.

Switch rating

250 VAC, 5 A (cosφ 1)

250 VAC, 3 A (cosφ 0.3)

Switch rating AC (cosφ 0.7)

Voltage 12 VAC 250 VAC

Current 3 A 2 A

Switch rating DC (inductive) L:R = 30 ms

Voltage 24 VDC 60 VDC 110 VDC 220 VDC

Current 2 A 0.7 A 0.2 A 0.1 A

Electric strength

3000 VAC, 50 Hz, 1 min. between all terminals and earth, as per EN IEC 61058-1-15

Isolation resistance

> 7 MΩ between the open contacts at 500 VDC, as per EN IEC 61058-1-15 (reinforced insulation)

Protection class

II

Environmental conditions

Storage temperature

-40 °C ... +85 °C

Service temperature

-25 °C ... +55 °C

For indicators and illuminated pushbuttons mounted as a block, make sure the heat can escape freely.

Protection degree

as per EN IEC 60529
 Indicator front side IP 67
 Illuminated pushbutton front side IP 67
 Mushroom-head pushbutton front side IP 67
 Selector switch front side IP 67
 Keylock switch IP 65 front side

Shock resistance

(semi-sinusoidal)
 max. 150 m/s², pulse width 11 ms, 3-axis, as per
 EN IEC 60068-2-27

Vibration resistance

(sinusoidal)
 max. 100 m/s² at 10 Hz ... 500 Hz, as per EN IEC 60068-2-6

Climate resistance

Damp heat state as per EN IEC 60068-2-30
 Damp heat cyclic as per EN IEC 60068-2-78

Approvals

Approbations

CB (IEC 61058)
 CSA
 CQC
 ENEC (EN 61058)
 Germanischer Lloyd
 UL

Declaration of conformity

CE

Actuator with low level switching element

Switching system

This low level switching element was designed for switching low powers in electronic circuits. The mechanism assures reliable switching of loads ranging from a few $\mu\text{A}/\mu\text{V}$ up to 100 mA/42 VAC/DC.

Single-break momentary contact, as normally open or normally closed with 4 independent points of contact. 2 momentary contacts per switching element; combination of normally open and normally closed is possible.

Special features are the long life, extremely short rebound time and stable contact resistance.

Material

Material of contact

Gold plated

Switch housing

Polysulfone, heat-resistant and self-extinguishing

Actuator housing

Polyamide

Mechanical characteristics

Terminals

The universal terminals permit these units to be mounted on printed circuit boards (PCB). These terminals can also be used as soldering or plug-in terminals.

For these terminals we can also supply a plug-in base which, when soldered on to the board, enables the switch to be plugged in.

Soldering terminal:

Max. wire diameter 2 wires of 1 mm

Max. wire cross-section of stranded cable 2 x 0.75 mm²

Plug-in terminal: 2.0 x 0.5 mm

Tightening torque

for fixing nut max. 25 Ncm

Actuating torque

Measured at the key or lever of the keylock- or selector switch 2.5 Ncm ... 5.5 Ncm, depending on the number of switching elements

Actuating force

3 ... 4 N, depending on the number of switching elements

Actuating travel

Illuminated pushbutton: 3 mm

Switch actuator 2 positions:

Momentary action 1 x ca. 42° deflection momentary action

Maintained action 1 x ca. 90° deflection maintained action

Rebound time

typical < 100 μs

Mechanical lifetime

Momentary action 5 million cycles of operation

Maintained action 1 million cycles of operation

Electrical characteristics

Contact resistance

New state $\leq 50 \text{ m}\Omega$ as per DIN IEC 60512-2-4

Electrostatic discharge (ESD)

Keylock switch 15 kV

Switch rating

10 μA , 100 μV to 100 mA at 42 VAC/VDC

Electric strength

3000 VAC, 50 Hz, 1 min. between all terminals and earth, as per EN IEC 61058-1-15

Protection class

II

14 Technical data

Environmental conditions

Storage temperature

-40 °C ... +85 °C

Service temperature

-25 °C ... +55 °C

For indicators and illuminated pushbuttons mounted as a block, make sure the heat can escape freely.

Protection degree

as per EN IEC 60529

Indicator front side IP 67

Illuminated pushbutton front side IP 67

Mushroom-head pushbutton front side IP 67

Selector switch front side IP 67

Keylock switch IP 65 front side

Shock resistance

(semi-sinusoidal)

max. 150 m/s², pulse width 11 ms, 3-axis, as per

EN IEC 60068-2-27

Buzzer

Buzzer system

System

Piezo disc

Material

Buzzer case

Polyamide

Front cap

Plastic Polyamide

Metal Nickel-plated brass (sea-water proof)

Mechanical characteristics

Terminals

Plug-in terminal 2.8 x 0.5 mm

Tightening torque

for fixing nut max. 25 Ncm

Electrical characteristics

Frequency (tone)

approx. 2.8 kHz continuous tone only

Sound pressure

95 db (A) ±8 dB at a distance of 0.1 m

Operation Voltage/Current

Operation Voltage 24 VDC ±10 %

Operation Current ≤ 25 mA

Environmental conditions

Storage temperature

-40 °C ... +85 °C

Operating temperature

-25 °C ... +55 °C

Protection degree

as per EN IEC 60529, frontside

Buzzer flush design front side IP 40

Buzzer raised design front side IP 65

Approvals

Approbations

CQC

EMC

Declaration of conformity

CE

EAO reserves the right to alter specifications without further notice.

General notes

1. Engraving

In addition to the most commonly used world languages, in DIN1451-3 close spacing, other typefaces are available as Scandinavian, Slavic, Greek, Russian and Polish. The engraved marking caps and plates are filled with black or white colour. Standard height of letters is 3 mm. If the height is not specified, we will supply 3mm engraved letters.

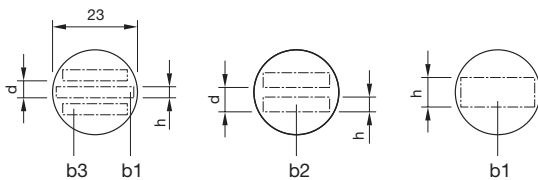
2. Hot stamping

Standard legends and ISO symbols are hot stamped. For larger series it is worth considering markings by means of hot stamping. We will be pleased to advise you.

Engraving marking cap for Indicator round, full face illumination

All dimensions in mm

| Height of letters | Number of lines | Number of letters per line (target value) | | | Line spacing |
|-------------------|-----------------|---|----|----|--------------|
| | | b1 | b2 | b3 | |
| h | | b1 | b2 | b3 | d |
| 3 | 3 | 11 | 10 | 9 | 4.6 |
| 4 | 2 | 8 | 7 | - | 6.6 |
| 8 | 1 | 4 | - | - | - |

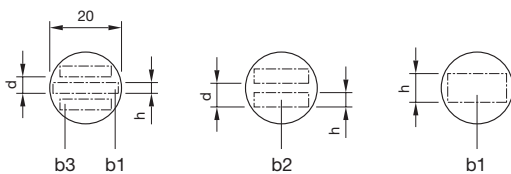


The gap between two words results in each case a letter less.

Engraving marking cap for Indicator and illuminated Pushbutton round, front illumination

All dimensions in mm

| Height of letters | Number of lines | Number of letters per line (target value) | | | Line spacing |
|-------------------|-----------------|---|----|----|--------------|
| | | b1 | b2 | b3 | |
| h | | b1 | b2 | b3 | d |
| 3 | 3 | 9 | 9 | 7 | 4.6 |
| 4 | 2 | 7 | 6 | - | 6.6 |
| 8 | 1 | 3 | - | - | - |



The gap between two words results in each case a letter less.

14 Marking

Engraving legend plates

All dimensions in mm

| Dimension | Devices mounting style | Height of letters | Number of lines | Number of letters per line (target value) | Image |
|-----------|------------------------|-------------------|-----------------|---|-------|
| | | h | | | |
| 30 x 50 | round, raised | 3 | 2 | 12 | B1 |
| 30 x 50 | round, raised | 4 | 1 | 7 | B1 |
| 30 x 50 | round, raised | 8 | 1 | 4 | B1 |
| 35 x 57.5 | round, flush | 3 | 2 | 12 | B2 |
| 35 x 57.5 | round, flush | 4 | 1 | 7 | B2 |
| 35 x 57.5 | round, flush | 8 | 1 | 4 | B2 |

B1

B2



The gap between two words results in each case a letter less.

Standard texts for marking plates and marking caps for Indicator and Illuminated Pushbutton

Height of letters 6 mm

| | | | |
|--------------------------------|-------------------------------|------------------------------|-------------------------------|
| I Part No. 704.609.912001 | II Part No. 704.609.912002 | III Part No. 704.609.912003 | O Part No. 704.609.912004 |
| EIN Part No. 704.609.912005 | AUS Part No. 704.609.912006 | AUF Part No. 704.609.912007 | AB Part No. 704.609.912008 |
| START Part No. 704.609.912009 | STOP Part No. 704.609.912010 | HAND Part No. 704.609.912011 | AUTO Part No. 704.609.912012 |
| ZU Part No. 704.609.912013 | ON Part No. 704.609.912014 | OFF Part No. 704.609.912015 | ARRET Part No. 704.609.912016 |
| MARCHE Part No. 704.609.912017 | RESET Part No. 704.609.912018 | | |

Symbols for marking plates and marking caps for Indicator and Illuminated Pushbutton

All marking plates with the printed article-numbers are available for flat lenses, marking cap only on request.

| | | | |
|---|--|---|---|
|  Part No. 704.609.910001 Direction of linear rectilinear motion (also for $\rightarrow \updownarrow$) |  Part No. 704.609.910002 Linear motion in 2 directions (also for \downarrow) |  Part No. 704.609.910003 Interrupted linear motion \updownarrow (also for $\leftarrow \leftarrow \updownarrow$) |  Part No. 704.609.910004 Limited linear motion (also for $\leftarrow \updownarrow$) |
|  Part No. 704.609.910005 Limited linear motion and return |  Part No. 704.609.910006 Oscillating linear motion (continuous) |  Part No. 704.609.910007 Direction of continuous rotation (right) |  Part No. 704.609.9100071 Direction of continuous rotation (left) |
|  Part No. 704.609.910008 Rotation in 2 directions |  Part No. 704.609.910009 Direction of interrupted rotation (right) |  Part No. 704.609.9100091 Direction of interrupted rotation (left) |  Part No. 704.609.910010 Limited rotation (right) |
|  Part No. 704.609.9100101 Limited rotation (left) |  Part No. 704.609.910011 Limited rotation and return |  Part No. 704.609.910012 Oscillating rotary movement (continuous) |  Part No. 704.609.910013 Direction of spindle rotation |
|  Part No. 704.609.910014 One revolution |  Part No. 704.609.910015 Number of revolutions per minute (spindle speed) |  Part No. 704.609.910016 Feed |  Part No. 704.609.910017 Feed per revolution |
|  Part No. 704.609.910018 Feed per minute |  Part No. 704.609.910019 Reduced feed |  Part No. 704.609.910020 Rapid feed |  Part No. 704.609.910021 Normal feed |
|  Part No. 704.609.910022 Direction of feed (orientation not specified) |  Part No. 704.609.910024 Transverse feed |  Part No. 704.609.910025 Vertical feed |  Part No. 704.609.910026 Rapid traverse |
|  Part No. 704.609.910027 Threading |  Part No. 704.609.910028 Increase of value (speed, for instance) |  Part No. 704.609.910029 Decrease of value (speed, for instance) |  Part No. 704.609.910030 Speed of planing cut |
|  Part No. 704.609.910031 Speed of turning cut |  Part No. 704.609.910032 Speed of drilling cut |  Part No. 704.609.910033 Speed of milling cut (similar symbol for speed of grinding) |  Part No. 704.609.910034 Conventional milling |
|  Part No. 704.609.910035 Climb milling (down milling) |  Part No. 704.609.910041 Electric motor |  Part No. 704.609.910042 Rectangular work table or slide element |  Part No. 704.609.910043 Round work table or rotating element |
|  Part No. 704.609.910044 Turning spindle |  Part No. 704.609.910045 Drilling spindle |  Part No. 704.609.910046 Milling spindle |  Part No. 704.609.910047 Schleifscheibenfutter |
|  Part No. 704.609.910048 Pump (general symbol) |  Part No. 704.609.910049 Cooling pump |  Part No. 704.609.910050 Lubricant pump |  Part No. 704.609.910051 Hydraulic system pump |
|  Part No. 704.609.910052 Hydraulic motor |  Part No. 704.609.910053 Tracer |  Part No. 704.609.910061 Stepless regulation |  Part No. 704.609.910062 Adjustable |

14 Marking

| | | | |
|---|---|---|---|
|  <p>Part No. 704.609.9100631 Lock or tighten</p> |  <p>Part No. 704.609.9100632 Lock or tighten</p> |  <p>Part No. 704.609.9100641 Unlock, unclamp</p> |  <p>Part No. 704.609.9100642 Unlock, unclamp</p> |
|  <p>Part No. 704.609.910065 Brake on</p> |  <p>Part No. 704.609.910066 Brake off</p> |  <p>Part No. 704.609.910067 Automatic (or semi-automatic) cycle</p> |  <p>Part No. 704.609.910068 Hand control</p> |
|  <p>Part No. 704.609.910069 Start, on</p> |  <p>Part No. 704.609.910070 Stop, off</p> |  <p>Part No. 704.609.910071 Start and stop with same button</p> |  <p>Part No. 704.609.910072 In action as long as button is operated</p> |
|  <p>Part No. 704.609.910074 Engaging (mechanical start)</p> |  <p>Part No. 704.609.910075 Disengaging (mechanical stop)</p> |  <p>Part No. 704.609.910076 Close lock-nut</p> |  <p>Part No. 704.609.910077 Open lock-nut</p> |
|  <p>Part No. 704.609.910078 Engage sensor</p> |  <p>Part No. 704.609.910079 Disengage sensor</p> |  <p>Part No. 704.609.910080 Change speed only in stopped position</p> |  <p>Part No. 704.609.910081 Change speed only in motion</p> |
|  <p>Part No. 704.609.910091 Shear pin construction</p> |  <p>Part No. 704.609.910092 Danger (high voltage)!</p> |  <p>Part No. 704.609.910093 Caution!</p> |  <p>Part No. 704.609.910094 Main switch</p> |
|  <p>Part No. 704.609.910101 Coolant fluid</p> |  <p>Part No. 704.609.910102 Machine lighting</p> |  <p>Part No. 704.609.910103 Weight</p> |  <p>Part No. 704.609.910104 Filter opening</p> |
|  <p>Part No. 704.609.910105 Overflow</p> |  <p>Part No. 704.609.910106 Drain</p> |  <p>Part No. 704.609.910107 Oil, lubricant</p> |  <p>Part No. 704.609.910108 Blast</p> |
|  <p>Part No. 704.609.910109 Suction</p> | | | |

Suppressor circuits

When switching inductive loads such as relays, DC motors, and DC solenoids, it is always important to absorb surges (e.g. with a diode) to protect the contacts. When these inductive loads are switched off, a counter emf can severely damage switch contacts and greatly shorten lifetime.

Fig. 1 shows an inductive load with a free-wheeling diode connected in parallel. This free-wheeling diode provides a path for the inductor current to flow when the current is interrupted by the switch. Without this free-wheeling diode, the voltage across the coil will be limited only by dielectric breakdown voltages of the circuit or parasitic elements of the coil. This voltage can be kilovolts in amplitude even when nominal circuit voltages are low (e.g. 12VDC) see Fig. 2.

The free-wheeling diode should be chosen so that the reverse breakdown voltage is greater than the voltage driving the inductive load. The DC blocking voltage (V_R) of the free-wheeling diode can be found in the datasheet of a diode. The forward current should be equal or greater than the maximum current flowing through the load.

To get an efficient protection, the free-wheeling diode must be connected as close as possible to the inductive load!

Switching with inductive load
Fig. 1



Counter EMF
over load without free-wheeling diode
Fig. 2



LED polarity

When fitting the LED elements the polarity has to correspond with the respective terminals, (+) goes to +.



L = Solder terminal, L1 = Solder terminal 2.0 x 0.5 mm
H = Universal terminal, H1 = Universal-Solder terminal

| Part No. | Page | Part No. | Page | Part No. | Page | Part No. | Page | Part No. | Page | Part No. | Page |
|-------------------|------|-------------------|------|------------------|------|-------------------|------|-------------------|------|----------------|------|
| 01-928..... | 47 | 14-133.0252..... | 27 | 14-411.036K..... | 14 | 14-501.0220..... | 31 | 704.600.0..... | 39 | 704.960.4..... | 44 |
| 01-929..... | 47 | 14-134.0252..... | 7 | 14-411.036K..... | 29 | 14-501.02502..... | 16 | 704.600.0..... | 40 | 704.960.8..... | 52 |
| 02-904.0..... | 49 | 14-134.0252..... | 9 | 14-412.036K..... | 14 | 14-501.02502..... | 31 | 704.600.1..... | 39 | 704.964.8..... | 44 |
| 02-904.1..... | 49 | 14-134.0252..... | 12 | 14-412.036K..... | 29 | 14-502.02502..... | 16 | 704.600.1..... | 40 | 704.968.0..... | 42 |
| 02-904.3..... | 49 | 14-134.0252..... | 22 | 14-414.036K..... | 14 | 14-502.02502..... | 31 | 704.600.1A..... | 39 | 704.968.1..... | 42 |
| 02-904.7..... | 49 | 14-134.0252..... | 24 | 14-414.036K..... | 29 | 14-503.02502..... | 16 | 704.600.1A..... | 40 | 704.968.2..... | 41 |
| 02-906..... | 52 | 14-134.0252..... | 27 | 14-415.036K..... | 14 | 14-503.02502..... | 31 | 704.600.2..... | 41 | 704.968.3..... | 41 |
| 02-912.1..... | 50 | 14-135.022K..... | 14 | 14-415.036K..... | 29 | 14-506.0220..... | 16 | 704.600.3..... | 41 | | |
| 02-912.2..... | 50 | 14-135.022K..... | 30 | 14-417.036K..... | 14 | 14-506.0220..... | 31 | 704.600.5/A..... | 41 | | |
| 02-912.3..... | 50 | 14-135.025K2..... | 14 | 14-417.036K..... | 29 | 14-506.02502..... | 16 | 704.600.6..... | 39 | | |
| 02-912.4..... | 50 | 14-135.025K2..... | 29 | 14-418.036K..... | 14 | 14-506.02502..... | 31 | 704.600.6..... | 40 | | |
| 10-1106.1369..... | 49 | 14-136.025K2..... | 15 | 14-418.036K..... | 29 | 14-507.02502..... | 16 | 704.600.9..... | 39 | | |
| 10-1109.1279..... | 49 | 14-136.025K2..... | 30 | 14-431.036..... | 6 | 14-507.02502..... | 31 | 704.600.9..... | 40 | | |
| 10-1109.1329..... | 49 | 14-137.025K2..... | 15 | 14-431.036..... | 9 | 14-508.02502..... | 16 | 704.601.0..... | 34 | | |
| 10-1112.1199..... | 49 | 14-137.025K2..... | 30 | 14-431.036..... | 11 | 14-508.02502..... | 31 | 704.601.01..... | 34 | | |
| 10-1112.1279..... | 49 | 14-138.025K2..... | 15 | 14-431.036..... | 21 | 14-509.02502..... | 16 | 704.601.2..... | 34 | | |
| 10-1113.1249..... | 49 | 14-138.025K2..... | 30 | 14-431.036..... | 24 | 14-509.02502..... | 31 | 704.601.21..... | 34 | | |
| 10-1114.1249..... | 49 | 14-141.022K..... | 14 | 14-431.036..... | 26 | 14-515.0360..... | 16 | 704.601.4..... | 34 | | |
| 10-1116.1229..... | 49 | 14-141.022K..... | 29 | 14-432.036..... | 6 | 14-515.0360..... | 31 | 704.601.41..... | 34 | | |
| 10-1119.1199..... | 49 | 14-141.025K2..... | 14 | 14-432.036..... | 9 | 14-517.0360..... | 16 | 704.601.5..... | 34 | | |
| 10-2106.3142..... | 48 | 14-141.025K2..... | 29 | 14-432.036..... | 11 | 14-517.0360..... | 31 | 704.601.51..... | 34 | | |
| 10-2106.3144..... | 48 | 14-142.025K2..... | 14 | 14-432.036..... | 21 | 14-520.0360..... | 16 | 704.601.6..... | 34 | | |
| 10-2106.3145..... | 48 | 14-142.025K2..... | 29 | 14-432.036..... | 24 | 14-520.0360..... | 31 | 704.601.61..... | 34 | | |
| 10-2106.3146..... | 48 | 14-143.025K2..... | 14 | 14-432.036..... | 26 | 14-521.0360..... | 16 | 704.601.8..... | 34 | | |
| 10-2106.3149..... | 49 | 14-143.025K2..... | 29 | 14-433.036..... | 6 | 14-521.0360..... | 31 | 704.601.81..... | 34 | | |
| 10-2109.1062..... | 48 | 14-144.025K2..... | 14 | 14-433.036..... | 9 | 14-522.0360..... | 16 | 704.601.9..... | 34 | | |
| 10-2109.1064..... | 48 | 14-144.025K2..... | 29 | 14-433.036..... | 11 | 14-522.0360..... | 31 | 704.601.91..... | 34 | | |
| 10-2109.1065..... | 48 | 14-235.022K..... | 14 | 14-433.036..... | 21 | 14-556.0220..... | 32 | 704.602.0..... | 33 | | |
| 10-2109.1066..... | 48 | 14-235.022K..... | 30 | 14-433.036..... | 24 | 14-556.02502..... | 32 | 704.602.2..... | 33 | | |
| 10-2109.1069..... | 49 | 14-235.025K2..... | 14 | 14-433.036..... | 26 | 14-557.02502..... | 32 | 704.602.4..... | 33 | | |
| 10-2112.1062..... | 48 | 14-235.025K2..... | 29 | 14-435.036..... | 6 | 14-570.0360..... | 32 | 704.602.5..... | 33 | | |
| 10-2112.1064..... | 48 | 14-236.025K2..... | 15 | 14-435.036..... | 9 | 14-572.0360..... | 32 | 704.602.6..... | 33 | | |
| 10-2112.1065..... | 48 | 14-236.025K2..... | 30 | 14-435.036..... | 11 | 14-741.006..... | 18 | 704.602.7..... | 33 | | |
| 10-2112.1066..... | 48 | 14-237.025K2..... | 15 | 14-435.036..... | 21 | 14-742.006..... | 18 | 704.602.7A01..... | 33 | | |
| 10-2112.1069..... | 49 | 14-237.025K2..... | 30 | 14-435.036..... | 24 | 14-743.0292..... | 6 | 704.603.2..... | 35 | | |
| 10-2113.1062..... | 48 | 14-238.025K2..... | 15 | 14-435.036..... | 26 | 14-743.0292..... | 11 | 704.603.4..... | 35 | | |
| 10-2113.1064..... | 48 | 14-238.025K2..... | 30 | 14-436.036..... | 6 | 14-743.0292..... | 21 | 704.603.5..... | 35 | | |
| 10-2113.1065..... | 48 | 14-271.022..... | 6 | 14-436.036..... | 9 | 14-743.0292..... | 26 | 704.603.6..... | 35 | | |
| 10-2113.1066..... | 48 | 14-271.022..... | 9 | 14-436.036..... | 11 | 14-744.0292..... | 6 | 704.603.7..... | 35 | | |
| 10-2113.1069..... | 49 | 14-271.022..... | 11 | 14-436.036..... | 21 | 14-744.0292..... | 11 | 704.604.0..... | 35 | | |
| 10-2119.1042..... | 48 | 14-271.022..... | 21 | 14-436.036..... | 24 | 14-744.0292..... | 21 | 704.604.2..... | 35 | | |
| 10-2119.1044..... | 48 | 14-271.022..... | 24 | 14-436.036..... | 26 | 14-744.0292..... | 26 | 704.604.4..... | 35 | | |
| 10-2119.1045..... | 48 | 14-271.022..... | 26 | 14-437.036K..... | 14 | 14-746.0292..... | 6 | 704.604.5..... | 35 | | |
| 10-2119.1046..... | 48 | 14-271.0252..... | 6 | 14-437.036K..... | 29 | 14-746.0292..... | 11 | 704.608.7..... | 37 | | |
| 10-2119.1049..... | 49 | 14-271.0252..... | 9 | 14-438.036K..... | 14 | 14-746.0292..... | 21 | 704.608.9..... | 37 | | |
| 14-030.002..... | 18 | 14-271.0252..... | 11 | 14-438.036K..... | 29 | 14-746.0292..... | 26 | 704.609.0..... | 36 | | |
| 14-030.005..... | 18 | 14-271.0252..... | 21 | 14-471.036..... | 6 | 14-747.0292..... | 6 | 704.609.7..... | 36 | | |
| 14-031.006..... | 18 | 14-271.0252..... | 24 | 14-471.036..... | 9 | 14-747.0292..... | 11 | 704.609.9..... | 36 | | |
| 14-040.002..... | 4 | 14-271.0252..... | 26 | 14-471.036..... | 11 | 14-747.0292..... | 21 | 704.609.9..... | 37 | | |
| 14-040.002..... | 19 | 14-272.0252..... | 7 | 14-471.036..... | 21 | 14-747.0292..... | 26 | 704.609.9A01..... | 36 | | |
| 14-040.005..... | 4 | 14-272.0252..... | 9 | 14-471.036..... | 24 | 14-748.0292..... | 6 | 704.610.7..... | 37 | | |
| 14-040.005..... | 19 | 14-272.0252..... | 12 | 14-471.036..... | 26 | 14-748.0292..... | 11 | 704.610.9..... | 37 | | |
| 14-041.006..... | 4 | 14-272.0252..... | 22 | 14-472.036..... | 6 | 14-748.0292..... | 21 | 704.611.2..... | 33 | | |
| 14-041.006..... | 19 | 14-272.0252..... | 24 | 14-472.036..... | 9 | 14-748.0292..... | 26 | 704.611.4..... | 33 | | |
| 14-131.022..... | 6 | 14-272.0252..... | 26 | 14-472.036..... | 11 | 14-810.002..... | 20 | 704.611.5..... | 33 | | |
| 14-131.022..... | 9 | 14-273.0252..... | 7 | 14-472.036..... | 21 | 14-810.902..... | 20 | 704.611.7..... | 33 | | |
| 14-131.022..... | 11 | 14-273.0252..... | 9 | 14-472.036..... | 24 | 14-810.910..... | 5 | 704.614.2..... | 36 | | |
| 14-131.022..... | 21 | 14-273.0252..... | 12 | 14-472.036..... | 26 | 14-810.918..... | 5 | 704.614.4..... | 36 | | |
| 14-131.022..... | 24 | 14-273.0252..... | 22 | 14-473.036..... | 6 | 14-910..... | 51 | 704.614.5..... | 36 | | |
| 14-131.022..... | 26 | 14-273.0252..... | 24 | 14-473.036..... | 9 | 14-955.0..... | 38 | 704.614.6..... | 36 | | |
| 14-131.0252..... | 6 | 14-273.0252..... | 27 | 14-473.036..... | 11 | 14-955.1..... | 38 | 704.614.7..... | 36 | | |
| 14-131.0252..... | 9 | 14-274.0252..... | 7 | 14-473.036..... | 21 | 14-955.3..... | 39 | 704.925.0..... | 44 | | |
| 14-131.0252..... | 11 | 14-274.0252..... | 9 | 14-473.036..... | 24 | 14-955.4..... | 39 | 704.925.2..... | 44 | | |
| 14-131.0252..... | 21 | 14-274.0252..... | 12 | 14-473.036..... | 26 | 14-955.9..... | 38 | 704.925.3..... | 44 | | |
| 14-131.0252..... | 24 | 14-274.0252..... | 22 | 14-475.036..... | 6 | 14-955.9E..... | 39 | 704.925.7..... | 43 | | |
| 14-131.0252..... | 26 | 14-274.0252..... | 24 | 14-475.036..... | 9 | 14-958.0..... | 38 | 704.928.18..... | 43 | | |
| 14-132.0252..... | 6 | 14-274.0252..... | 27 | 14-475.036..... | 11 | 14-958.8..... | 38 | 704.928.28..... | 43 | | |
| 14-132.0252..... | 9 | 14-335.022K..... | 15 | 14-475.036..... | 21 | 14-987.1001..... | 45 | 704.928.38..... | 43 | | |
| 14-132.0252..... | 12 | 14-335.022K..... | 30 | 14-475.036..... | 24 | 31-928..... | 47 | 704.945.1..... | 53 | | |
| 14-132.0252..... | 21 | 14-335.025K2..... | 14 | 14-475.036..... | 26 | 31-929..... | 47 | 704.945.2..... | 53 | | |
| 14-132.0252..... | 24 | 14-335.025K2..... | 29 | 14-476.036..... | 6 | 31-940..... | 46 | 704.945.3..... | 53 | | |
| 14-132.0252..... | 26 | 14-336.025K2..... | 15 | 14-476.036..... | 9 | 31-941..... | 46 | 704.945.4..... | 53 | | |
| 14-133.0252..... | 7 | 14-336.025K2..... | 30 | 14-476.036..... | 11 | 31-942..... | 46 | 704.945.5..... | 53 | | |
| 14-133.0252..... | 9 | 14-337.025K2..... | 15 | 14-476.036..... | 21 | 31-945..... | 47 | 704.945.6..... | 54 | | |
| 14-133.0252..... | 12 | 14-337.025K2..... | 30 | 14-476.036..... | 24 | 31-946..... | 47 | 704.953.0..... | 40 | | |
| 14-133.0252..... | 22 | 14-338.025K2..... | 15 | 14-476.036..... | 26 | 61-9481.6..... | 54 | 704.954.0..... | 51 | | |
| 14-133.0252..... | 24 | 14-338.025K2..... | 30 | 14-501.0220..... | 16 | 700.006.0..... | 52 | 704.960.0..... | 52 | | |

Компания «Океан Электроники» предлагает заключение долгосрочных отношений при поставках импортных электронных компонентов на взаимовыгодных условиях!

Наши преимущества:

- Поставка оригинальных импортных электронных компонентов напрямую с производств Америки, Европы и Азии, а так же с крупнейших складов мира;
- Широкая линейка поставок активных и пассивных импортных электронных компонентов (более 30 млн. наименований);
- Поставка сложных, дефицитных, либо снятых с производства позиций;
- Оперативные сроки поставки под заказ (от 5 рабочих дней);
- Экспресс доставка в любую точку России;
- Помощь Конструкторского Отдела и консультации квалифицированных инженеров;
- Техническая поддержка проекта, помощь в подборе аналогов, поставка прототипов;
- Поставка электронных компонентов под контролем ВП;
- Система менеджмента качества сертифицирована по Международному стандарту ISO 9001;
- При необходимости вся продукция военного и аэрокосмического назначения проходит испытания и сертификацию в лаборатории (по согласованию с заказчиком);
- Поставка специализированных компонентов военного и аэрокосмического уровня качества (Xilinx, Altera, Analog Devices, Intersil, Interpoint, Microsemi, Actel, Aeroflex, Peregrine, VPT, Syfer, Eurofarad, Texas Instruments, MS Kennedy, Miteq, Cobham, E2V, MA-COM, Hittite, Mini-Circuits, General Dynamics и др.);

Компания «Океан Электроники» является официальным дистрибьютором и эксклюзивным представителем в России одного из крупнейших производителей разъемов военного и аэрокосмического назначения «JONHON», а так же официальным дистрибьютором и эксклюзивным представителем в России производителя высокотехнологичных и надежных решений для передачи СВЧ сигналов «FORSTAR».



JONHON

«JONHON» (основан в 1970 г.)

Разъемы специального, военного и аэрокосмического назначения:

(Применяются в военной, авиационной, аэрокосмической, морской, железнодорожной, горно- и нефтедобывающей отраслях промышленности)

«FORSTAR» (основан в 1998 г.)

ВЧ соединители, коаксиальные кабели,
кабельные сборки и микроволновые компоненты:

(Применяются в телекоммуникациях гражданского и специального назначения, в средствах связи, РЛС, а так же военной, авиационной и аэрокосмической отраслях промышленности).



Телефон: 8 (812) 309-75-97 (многоканальный)

Факс: 8 (812) 320-03-32

Электронная почта: ocean@oceanchips.ru

Web: <http://oceanchips.ru/>

Адрес: 198099, г. Санкт-Петербург, ул. Калинина, д. 2, корп. 4, лит. А