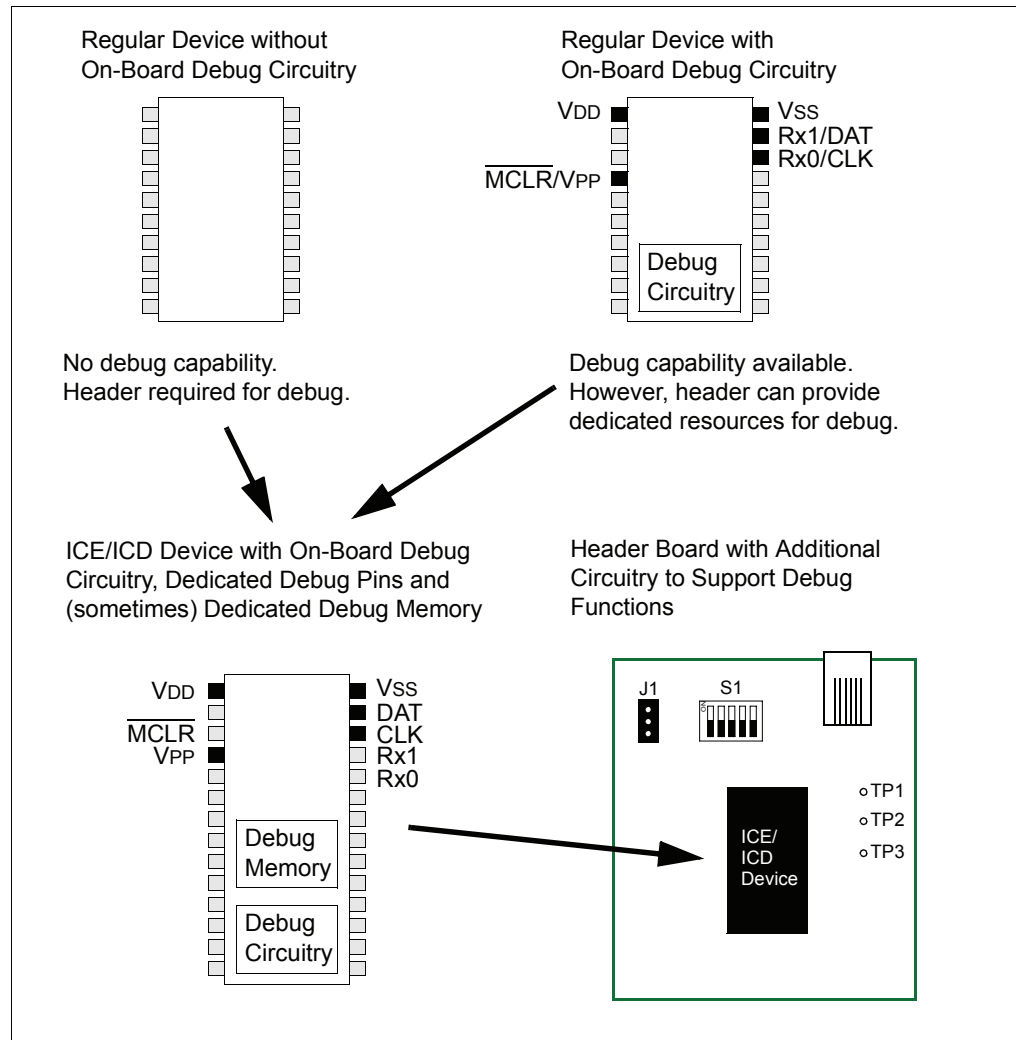


Header Board Specification

INTRODUCTION

This document contains information about the MPLAB[®] REAL ICE[™] in-circuit emulator and MPLAB ICD 2 in-circuit debugger header boards. Header boards, or headers, provide in-circuit debugging and/or emulating capabilities for specific Microchip devices. Depending on your device, a header may be necessary, unnecessary or optional in order to debug your application code (Figure 1).

FIGURE 1: DEBUG OPTIONS



To determine what device resources must still be dedicated to debugging for either a device with on-board debug capability or the special ICE/ICD device, see the "Resources used by the Emulator" section of the MPLAB REAL ICE in-circuit emulator on-line help file or the "Resources used by MPLAB ICD 2" section of the MPLAB ICD 2 in-circuit debugger on-line help file.

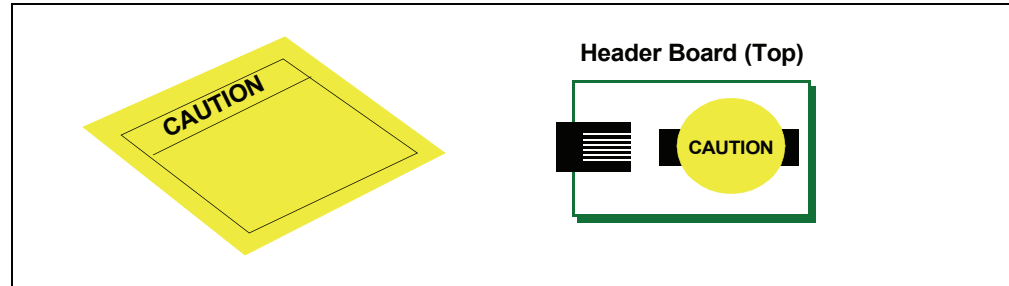
Header Board Specification

HEADER SETUP

To set up your header, do the following:

1. Check the header board for any stickers and the header box for any paper inserts that may specify special operating instructions (Figure 2). Follow these instructions before doing anything else.

FIGURE 2: SPECIAL HEADER INSTRUCTIONS

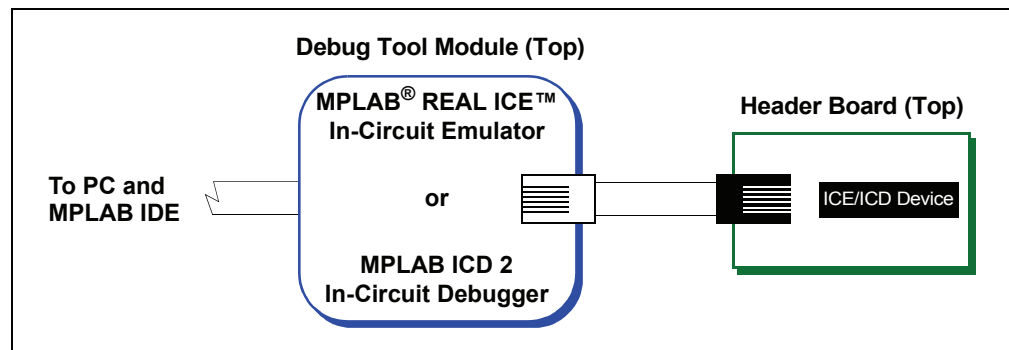


2. Set any jumpers or switches on the header to determine device functionality or selection as specified for that header. See the sections “Headers for ICE Devices” or “Headers for ICD Devices” for information on how to set up individual headers.
3. Connect the header to your desired debug tool. For the MPLAB REAL ICE in-circuit emulator, consult the emulator documentation for connection options. For the MPLAB ICD 2 in-circuit debugger, connect the modular interface cable between the debugger and the header board. An example connection is shown in Figure 3.

The special ICE/ICD device is mounted on the top of a header and its signals are routed to the emulator or debugger connector. These special device versions are labeled with the appropriate suffix (i.e., either *Device-ICE* or *Device-ICD*).

In general, ICE devices are designed for MPLAB REAL ICE in-circuit emulator use and ICD devices are designed for MPLAB ICD 2 in-circuit debugger use. However, ICE devices may be used with the MPLAB ICD 2 in-circuit debugger, and ICD devices may be used with the MPLAB REAL ICE in-circuit emulator, but will provide only basic ICD functionality.

FIGURE 3: CONNECT HEADER TO DEBUG TOOL



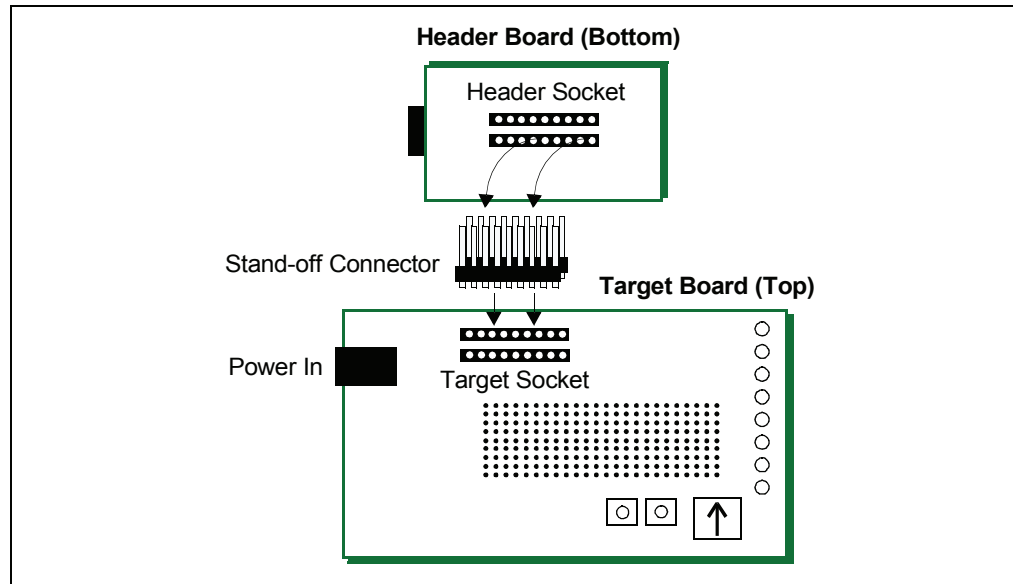
Header Board Specification

4. Connect the header to the target board. On the bottom of the header is a socket that is used to connect to the target board. The header may be connected to the target board as follows:
 - a) PDIP header socket to PDIP target socket with a stand-off (male-to-male) connector
 - b) Header socket to plug on the target board
 - c) Header socket to target socket with a transition socket (see the “*Transition Socket Specification*”, DS51194)

An example connection is shown in Figure 4.

The header socket will have the same pin count as your selected device. The ICE/ICD device on the top of the header usually has a larger pin count because it has additional pins that are dedicated to debug.

FIGURE 4: CONNECT HEADER TO TARGET



5. If using the MPLAB ICD 2 in-circuit debugger to power the target, power the MPLAB ICD 2 now.
6. Power the target, if needed.

PROGRAMMING ICE/ICD AND NON-ICE/ICD DEVICES

The header board is designed to be used with the MPLAB REAL ICE in-circuit emulator or the MPLAB ICD 2 in-circuit debugger selected as a Debugger, not a Programmer, in MPLAB IDE. Any programming of the ICE/ICD device on the header is for debug purposes and includes the debug executive. See your related debug tool documentation for details on using it as a debugger.

To program regular (non-ICE/ICD) devices with your debug tool, use the Universal Programming Module (AC162049) or design a modular interface connector on the target. See the appropriate specification for connections. For the most up-to-date device programming specifications, see the Microchip website (www.microchip.com).

Also, regular devices may be programmed with the following tools:

- MPLAB PM3 device programmer
- PRO MATE[®] II device programmer
- PICSTART[®] Plus development programmer
- PICkit[™] 1 or 2 development programmer

Header Board Specification

CALIBRATION BITS

The calibration bits for the band gap and internal oscillator are always preserved to their factory settings.

PERFORMANCE ISSUES

The PIC[®] MCU devices do not support partial program memory erase; therefore, users may experience slower performance than with other devices.

Also, see either the MPLAB REAL ICE in-circuit emulator or the MPLAB ICD 2 in-circuit debugger Help file for information on specific device limitations that may affect performance.

REFERENCES

Please consult the following resources, as needed:

- MPLAB REAL ICE In-Circuit Emulator
 - *MPLAB[®] REAL ICE[™] In-Circuit Emulator User's Guide* (DS51616)
 - MPLAB REAL ICE Help
 - Readme for MPLAB REAL ICE
- MPLAB ICD 2
 - *MPLAB[®] ICD 2 In-Circuit Debugger User's Guide* (DS51331)
 - MPLAB ICD 2 Help
 - Readme for MPLAB ICD 2
- MPLAB IDE
 - *MPLAB[®] IDE, Editor and Simulator User's Guide* (DS51519)
 - MPLAB IDE Help
 - Readme for MPLAB IDE



Headers for ICE Devices

INTRODUCTION

Devices that have built-in emulator circuitry do not require a header to use the MPLAB REAL ICE in-circuit emulator. However, some pins and memory must be used to support the ICE function. Special ICE versions offering additional pins, memory and emulator functions can be used to provide superior debugging/emulating capabilities.

Currently available headers and their associated ICE devices/supported devices are shown in Table 1.

TABLE 1: HEADER TYPES – ICE DEVICES

Device	Pin Count	Header Part Number	ICE Device Used	Needed/ Available ⁽¹⁾
For F device headers: VDD Max = 3.6V				
For LF device headers: VDD Max = 3.6V, VDDCORE Max = 2.75V				
PIC18F24J10 PIC18F25J10	28/40	AC162067	PIC18F45J10-ICE	A
PIC18LF24J10 PIC18LF25J10				
PIC18F44J10 PIC18F45J10				
PIC18LF44J10 PIC18LF45J10				
PIC18F44J10 PIC18F45J10	44	AC162074	PIC18F45J10-ICE	A
PIC18LF44J10 PIC18LF45J10				
PIC18F63J11 PIC18F63J90 PIC18F64J11 PIC18F64J16 PIC18F64J90 PIC18F64J95 PIC18F65J11 PIC18F65J90	64/80	AC162079	PIC18F85J90-ICE	A
PIC18F83J11 PIC18F83J90 PIC18F84J11 PIC18F84J16 PIC18F84J90 PIC18F84J95 PIC18F85J11 PIC18F85J90				

Note 1: **N:** A header must be used to debug with this device.

A: A header is not needed to debug with this device; however, one is available to provide dedicated debug resources.

Headers for ICE Devices

TABLE 1: HEADER TYPES – ICE DEVICES (CON'T)

Device	Pin Count	Header Part Number	ICE Device Used	Needed/ Available ⁽¹⁾
For F device headers: VDD Max = 3.6V				
For LF device headers: VDD Max = 3.6V, VDDCORE Max = 2.75V				
PIC18F65J10 PIC18F65J15 PIC18F66J10 PIC18F66J15 PIC18F67J10	64/80	AC162062	PIC18F87J10-ICE	A
PIC18F85J10 PIC18F85J15 PIC18F86J10 PIC18F86J15 PIC18F87J10				
PIC18F65J16 PIC18F66J11 PIC18F66J16 PIC18F67J11	64/80	AC162091	PIC18F87J11-ICE	A
PIC18F85J16 PIC18F86J11 PIC18F86J16 PIC18F87J11				
PIC18F65J50 PIC18F65J55 PIC18F66J50 PIC18F66J55 PIC18F67J50	64/80	AC162087	PIC18F87J50-ICE	A
PIC18F85J50 PIC18F85J55 PIC18F86J50 PIC18F86J55 PIC18F87J50				
PIC18F66J60 PIC18F66J65 PIC18F67J60	64/80/100	AC162064	PIC18F97J60-ICE	A
PIC18F86J60 PIC18F86J65 PIC18F87J60				
PIC18F96J60 PIC18F96J65 PIC18F97J60				
dsPIC33FJGPXXX	64/80/100	AC244020	dsPIC33FJ256-ICE	A
dsPIC33FJMCXXX		AC244022		

Note 1: **N:** A header must be used to debug with this device.

A: A header is not needed to debug with this device; however, one is available to provide dedicated debug resources.

ICE HEADER SETUP

From the table in the previous section, determine the appropriate header for your device.

AC162067, AC162074

For these headers, you will need to connect jumpers J2 and J3 to select between the LF and F versions of devices.

Device	Device Type	Jumper J2	Jumper J3	Function
PIC18LFXXJ10	LF	1-2	1-2	Disable voltage regulator*
PIC18FXXJ10	F	2-3	2-3	Enable voltage regulator

* VDDCORE must be supplied externally.

AC162062

For this header, there are no jumpers/switches. MPLAB IDE will use the selected device to choose the correct device to emulate.

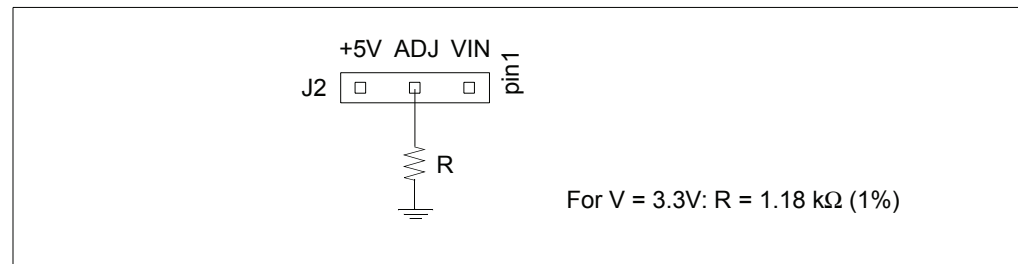
Test points are available on this header to check the following: VDD, VDDCORE and ground.

CAUTION
This header cannot be plugged directly into the PICDEM™ HPC Explorer Board or device damage will result.

The PICDEM™ HPC Explorer Board is 5V, whereas the ICD device on the header is 3.6V maximum. Therefore, modification to the demo board is necessary before the header can be used.

1. Switch S3 should be set to ICE.
2. Jumper J2 must be connected as shown in Figure 5 to modify the operating voltage. See demo board documentation for more information.

FIGURE 5: DEMO BOARD J2 CONNECTIONS



AC162064, AC162079, AC162087, AC162091

For these headers, there are no jumpers/switches. MPLAB IDE will use the selected device to choose the correct device to emulate.

Test points are available on this header to check the following: VDD, VDDCORE and ground.

Headers for ICE Devices

AC244020, AC244022

Both dsPIC33FJGPXXX (General Purpose) and dsPIC33FJMCXXX (Motor Control) device headers have jumpers which need to be set before use.

Jumpers J4 and J5 relate to the enabling or disabling of the on-chip 2.5 volt voltage regulator. Please see the section entitled “On-Chip Voltage Regulator” in the “dsPIC33F Family Reference Manual” (DS70165) for more details.

Jumper J4	Jumper J5	Function
1-2	1-2	Enable voltage regulator
2-3	NC	Disable voltage regulator

ICE HEADER DIMENSIONS

Table 2 lists the dimensions for each ICE header board. Dimensions are design values in inches.

TABLE 2: HEADER DIMENSIONS

Header Part Number	Length	Width	Height
AC162062	2.325	1.800	0.540
AC162064	2.250	1.750	0.540
AC162067	2.300	1.800	0.540
AC162074	1.800	1.350	0.540
AC162079	2.325	1.800	0.540
AC162087	2.325	1.800	0.540
AC162091	2.325	1.800	0.540
AC244020	2.250	1.750	0.540
AC244022	2.250	1.750	0.540

If the length and/or width of the header board’s footprint is too large for the target board, consider using stand-offs, transition sockets or other extenders in the header connection socket to raise the header above the target.

ICE HEADER PIN CONNECTIONS

The following diagrams show header pin connections.

FIGURE 6: AC162067, AC162074

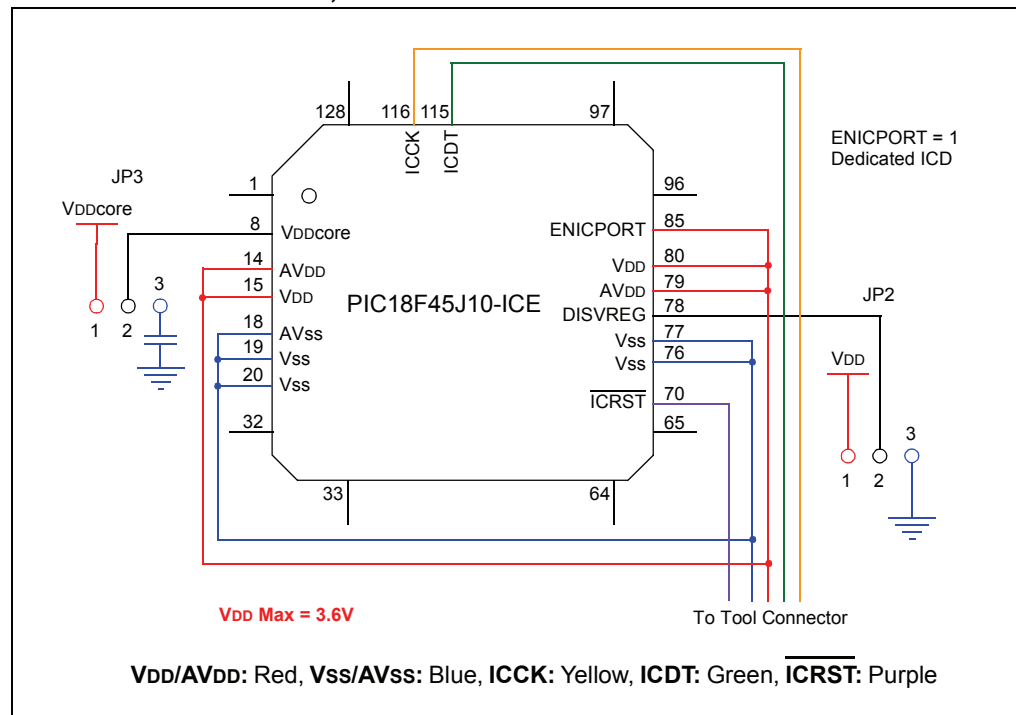
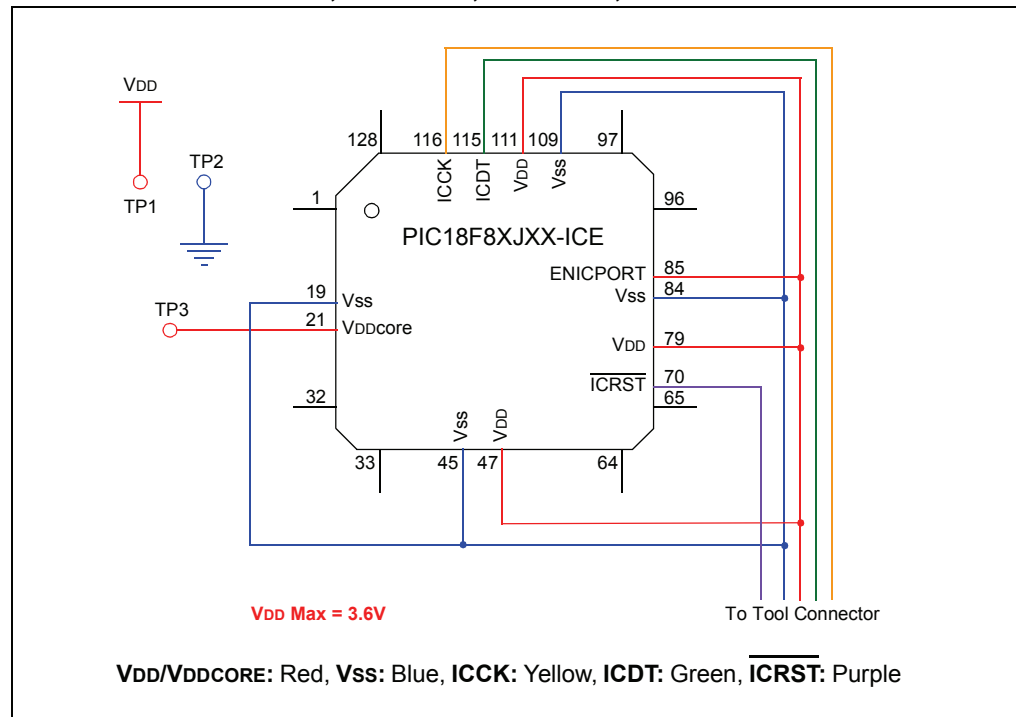


FIGURE 7: AC162062, AC162079, AC162087, AC162091



Headers for ICE Devices

FIGURE 8: AC162064

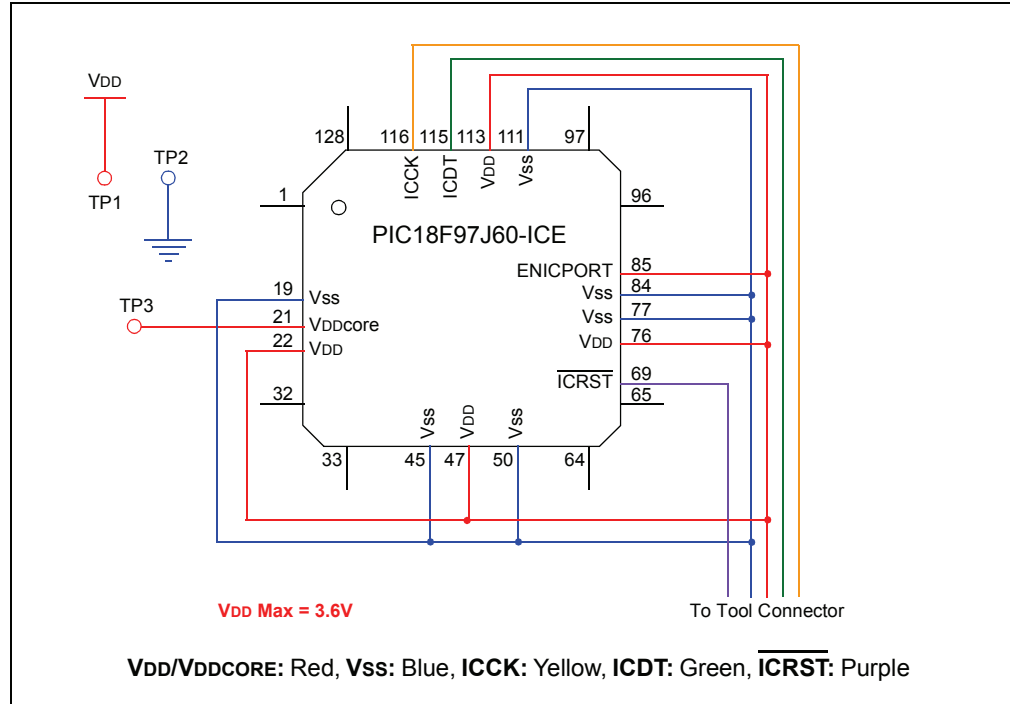
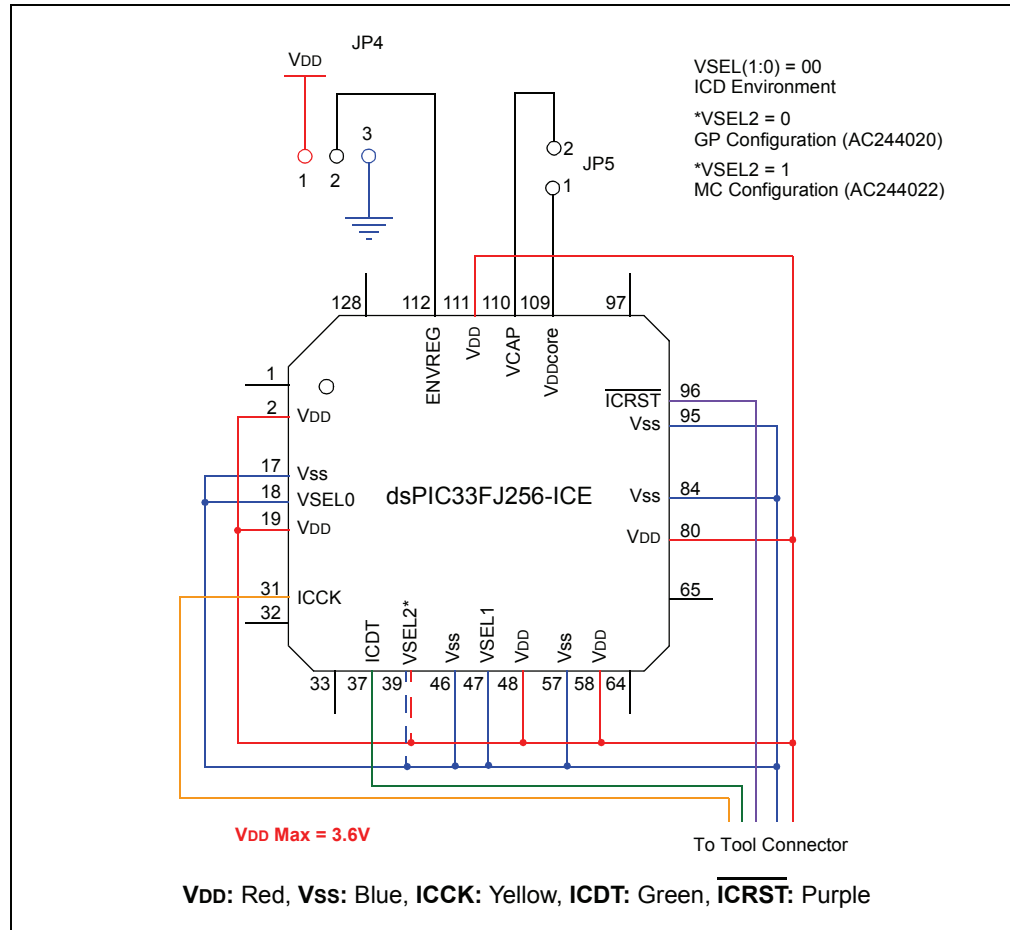


FIGURE 9: AC244020, AC244022



Headers for ICD Devices

INTRODUCTION

Some devices have no built-in debug circuitry. Therefore, special ICD versions of these devices are required for MPLAB ICD 2 operation.

Other devices have built-in debug circuitry and do not require a header to use MPLAB ICD 2. However, some pins and memory must be used to support the ICD function. Therefore, for some of these devices, special ICD versions offering additional pins (and sometimes memory) are available to provide more transparent debugging capabilities.

Currently available headers and their associated ICD devices/supported devices are shown in Table 3.

TABLE 3: HEADERS – ICD DEVICES

Device	Pin Count	Header Part Number	ICD Device Used	Needed/ Available ⁽¹⁾
For all these headers: VDD Max = 5.5V				
PIC10F200/2/4/6	8/14	AC162059	PIC16F505-ICD	N
PIC10F220/2	8/14	AC162070	PIC16F506-ICD	N
PIC12F508/509	8/14	AC162059	PIC16F505-ICD	N
PIC12F510	8/14	AC162070	PIC16F506-ICD	N
PIC12F519	8/14	AC162096	PIC16F526-ICD	N
PIC12F609/HV609	28	AC162083	PIC16F616-ICD	N
PIC12F615/HV615	28	AC162083	PIC16F616-ICD	N
PIC12F629	8	AC162050	PIC12F675-ICD ⁽²⁾	N
PIC12F635	14	AC162057	PIC16F636-ICD	N
PIC12F675	8	AC162050	PIC12F675-ICD ⁽²⁾	N
PIC12F683	8	AC162058	PIC12F683-ICD	N
PIC16F505	8/14	AC162059	PIC16F505-ICD	N
PIC16F506	8/14	AC162070	PIC16F506-ICD	N
PIC16F526	8/14	AC162096	PIC16F526-ICD	N
PIC16F610/HV610	28	AC162083	PIC16F616-ICD	N
PIC16F616/HV616	28	AC162083	PIC16F616-ICD	N
PIC16F627A/628A	18	AC162053	PIC16F648A-ICD ⁽²⁾	N
PIC16F630	14	AC162052	PIC16F676-ICD ⁽²⁾	N
PIC16F631	20	AC162061	PIC16F690-ICD	N

Note 1: **N:** A header must be used to debug with this device.

A: A header is not needed to debug with this device; however, one is available to provide dedicated debug resources.

2: These devices cannot be programmed or read using MPLAB[®] ICD 2 while GP1/RA1 is high (V_{IH}). Move circuitry that makes GP1/RA1 high to another I/O pin during development. See device programming specifications for more information.

Headers for ICD Devices

TABLE 3: HEADERS – ICD DEVICES (CON'T)

Device	Pin Count	Header Part Number	ICD Device Used	Needed/ Available ⁽¹⁾
For all these headers: VDD Max = 5.5V				
PIC16F636	14	AC162057	PIC16F636-ICD	N
PIC16F639 (Dual die)	20	AC162066	PIC16F636-ICD	N
PIC16F648A	18	AC162053	PIC16F648A-ICD ⁽²⁾	N
PIC16F676	14	AC162052	PIC16F676-ICD ⁽²⁾	N
PIC16F677	20	AC162061	PIC16F690-ICD	N
PIC16F684	14	AC162055	PIC16F684-ICD	N
PIC16F685/687	20	AC162061	PIC16F690-ICD	N
PIC16F688	14	AC162056	PIC16F688-ICD	N
PIC16F689/690	20	AC162061	PIC16F690-ICD	N
PIC16F716	18	AC162054	PIC16F716-ICD	N
PIC16F785/HV785	20	AC162060	PIC16F785-ICD	N
PIC18F1230/1330	28	AC162078	PIC18F1330-ICD	A

- Note 1:** **N:** A header must be used to debug with this device.
A: A header is not needed to debug with this device; however, one is available to provide dedicated debug resources.
- 2:** These devices cannot be programmed or read using MPLAB[®] ICD 2 while GP1/RA1 is high (V_{IH}). Move circuitry that makes GP1/RA1 high to another I/O pin during development. See device programming specifications for more information.

ICD HEADER SETUP

From the table in the previous section, determine the appropriate header for your device.

AC162050, AC162052, AC162055, AC162056, AC162057, AC162058

For these headers, device peripherals need to be selected by setting jumper J1 to the appropriate position. This will have the effect of selecting the device.

Header	Jumper J1	Function	Device Selected
AC162050	2-3	A/D Disabled	PIC12F629
	1-2	A/D Enabled	PIC12F675
AC162052	2-3	A/D Disabled	PIC16F630
	1-2	A/D Enabled	PIC16F676
AC162055	Don't care	N/A	PIC16F684
AC162056	Don't care	N/A	PIC16F688
AC162057	2-3	PORTC, Comparator 2 Disabled	PIC12F635
	1-2	PORTC, Comparator 2 Enabled	PIC16F636
AC162058	1-2	A/D Enabled	PIC12F683

AC162053

For this header, there are no jumpers/switches. The device with the most program memory is always selected.

If PIC16F627A or PIC16F628A devices are selected for MPLAB ICD 2 development in MPLAB IDE, the warning “ICDWarn0020: Invalid target device id” may be received in the build window and as a dialog. The error appears because the PIC16F648A-ICD device supports PIC16F648A, PIC16F627A and PIC16F628A, but only reports the device ID for the PIC16F648A.

Ignore this warning or disable it under the **Warnings** tab on the ICD Programming dialog.

AC162054

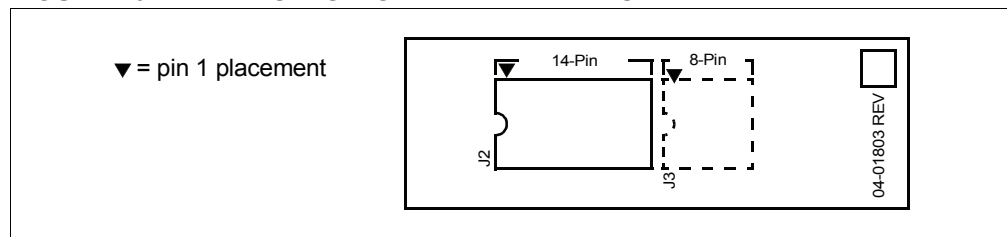
This header only supports the PIC16F716 device so there are no jumpers or switches.

AC162059, AC162070, AC162096

The ICD devices on these headers are specifically designed to select a device without the use of additional jumpers or switches.

These headers support 8 and 14-pin devices. For the AC162059 and AC162070, there is an 8-pin and a 14-pin connector. For the AC162096, there is only a 14-pin connector. (The 8-pin connector is not populated.) Use the 14-pin connector for 8-pin devices, but make sure device pin 1 is placed as shown in Figure 10.

FIGURE 10: BOTTOM OF THE HEADER BOARD



AC162060

For the PIC16F785 20-pin header, you will need to connect the jumper J2 to enable the shunt regulator.

Device	Device Type	Jumper Setting	Function
PIC16F785	F	1-2	Disable shunt regulator
PIC16HV785	HV	2-3	Enable shunt regulator

Headers for ICD Devices

AC162061

For the PIC16F690 20-pin header, you will need to set the S1 switches (Figure 11) to enable peripherals and choose devices (Table 4).

FIGURE 11: S1 SWITCH HARDWARE

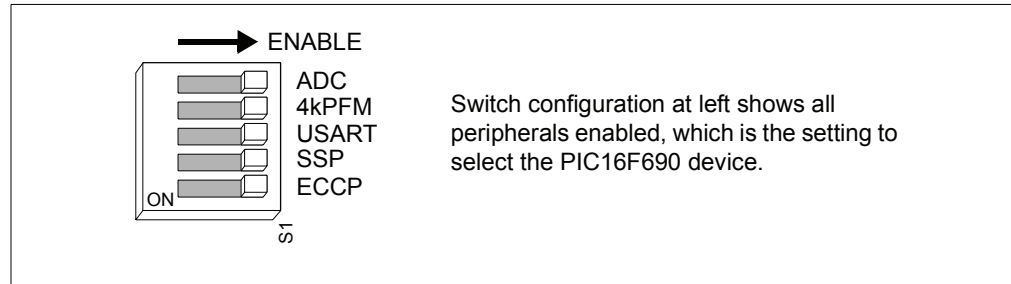


TABLE 4: S1 SWITCH DEVICE SELECTION

Device	Switches				
	ADC	4k PFM	USART	SSP	ECCP
PIC16F631	0	0*	0	0	0
PIC16F677	1	0**	0	1	0
PIC16F685	1	1	0	0	1
PIC16F687	1	0**	1	1	0
PIC16F689	1	1	1	1	0
PIC16F690	1	1	1	1	1

Legend: 1 = Enabled 0 = Disabled * = 1k PFM ** = 2k PFM

AC162066

For the PIC16F639 20-pin header, you will need to connect the jumper J3 as specified below.

Tool	Jumper Setting	Function
MPLAB® ICE 2000	1-2	Run/program as regular device
MPLAB ICD 2	2-3	Run/program as ICD device

In addition to being used with MPLAB ICD 2, this header is used with the PCM16YM0 processor module to emulate a PIC16F639 on the MPLAB ICE 2000 in-circuit emulator. Plug the end of the processor module into the header, and then plug the header into the transition socket or directly onto the target board.

AC162078

This header board can be used with the following targets:

1. Customer target board for PIC18F1230/1330 devices. The target board should have an 18-pin DIP socket to connect to the 18-pin DIP socket on the header board.
2. PICDEM MC motor control demo board. Use the 28-pin DIP socket on both boards to mount the header board on to the PICDEM MC board.
3. PICDEM MC LV motor control demo board. Use the 28-pin DIP socket on both boards to mount the header board onto the PICDEM MC LV board.

The following sections detail the configuration of the jumpers on the header board for use with the above-mentioned boards. For more details, refer to Figure 18 and Figure 19.

CUSTOMER TARGET BOARD

The default configuration is to remove all jumpers.

S1 is not populated and should not be used.

After the header board is set up, do the following:

1. Connect the header to the target board.
2. Power the target board. You should see the red LED on the header board turn on.
3. Connect the MPLAB ICD 2 to the header board.
4. Use MPLAB IDE and MPLAB ICD 2 to develop your application.

PICDEM MC/MC LV MOTOR CONTROL DEMO BOARDS

To run a BLDC motor on the PICDEM MC board or PICDEM MC LV board using the supplied firmware, use the following jumper setup:

Jumper	Jumper Setting
J1	2-3
J2	2-3
J3	2-3
J5	2-3
J6	1-2
J7	1-2
JP1	Open
JP2	Open
JP3	Open


S1 is not populated and should not be used.

After the header board is set up, do the following:

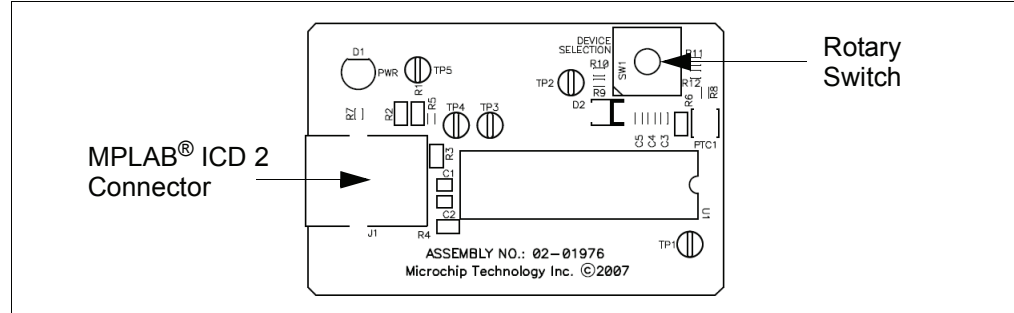
1. Connect the header to the PICDEM MC/MC LV target board.
2. Power the target board. You should see the red LED on the header board turn on.
3. Connect the MPLAB ICD 2 to the header board.
4. Program the part with the demo code.
5. Run the program.
6. Press and release switch S2 on the target board to toggle the direction of the motor's rotation.
7. Press and release switch S1 on the target board to toggle between running and stopping the motor.
8. If the motor stops while reversing from a high speed, there could be an overcurrent condition detected by the system. Reset the system to run the program again.

Headers for ICD Devices

AC162083

CAUTION	
	<p>Incorrect rotary switch settings may irreparably damage the header. Ensure rotary switch settings are correct before powering or connecting the header. Do not change the rotary switch setting while the header is powered or connected to MPLAB ICD 2. Do not power shunt regulator (HV) devices from MPLAB ICD 2.</p>

Header Board Layout



Test points are available on this header to check the following: Ground (TP1), VDD (TP2), ICD Clock (TP3), ICD Data (TP4) and ICD MCLR/VPP (TP5).

Rotary Switch Setting

TABLE 5: SWITCH DEVICE SELECTION

Switch Position	Device
0	PIC12HV609
1	PIC12HV615
2	Reserved HV
3	PIC16HV610
4	PIC16HV616
5	Reserved HV
6	Reserved HV
7	Reserved HV
8	PIC12F609
9	PIC12F615
A	Reserved F
B	PIC16F610
C	PIC16F616
D	Reserved F
E	Reserved F
F	Reserved F

POTENTIAL ISSUES

HV device selected instead of F device

If you inadvertently select a shunt regulator (HV) device and attempt to use it in a target board designed for a non-shunt regulator (F) device, the shunt may draw excessive current due to the lack of current-limiting circuitry on the target board and damage the device mounted on the header.

F device selected instead of HV device

If you inadvertently select a non-shunt regulator (F) device and attempt to use it in a target board designed for a shunt regulator (HV) device, the device may draw excessive current due to the higher voltage used on a target board designed for HV devices and damage the device mounted on the header.

HV devices cannot be powered from MPLAB ICD 2

In MPLAB IDE, do not select to power the target (debug header) from MPLAB ICD 2 when using shunt regulator (HV) devices since this will also cause the shunt to draw excessive current.

DETERMINING DAMAGE

A damaged header will cause MPLAB IDE to report a device ID of 0. However, there are other issues that can cause the device ID to report as 0. Please consult MPLAB ICD 2 documentation on troubleshooting to identify the problem. If you believe you have a damaged header, please contact Microchip technical support at <http://support.microchip.com>.

ICD HEADER DIMENSIONS

Table 6 lists the dimensions for each ICD header board. Dimensions are design values in inches.

TABLE 6: HEADER DIMENSIONS

Header Part Number	Length	Width	Height
AC162050	1.275	1.000	0.525
AC162052	1.300	1.275	0.525
AC162053	2.350	0.750	0.525
AC162054	2.350	0.750	0.525
AC162055	1.300	1.275	0.525
AC162056	1.300	1.275	0.525
AC162057	1.300	1.275	0.525
AC162058	1.275	1.000	0.525
AC162059	2.25	0.75	0.525
AC162060	2.25	0.75	0.525
AC162061	1.650	1.450	0.525
AC162066	2.325	0.850	0.525
AC162070	2.25	0.75	0.525
AC162078	2.3	2.05	0.525
AC162083	2.450	1.600	0.525
AC162096	2.25	0.75	0.525

If the length and/or width of the header board's footprint is too large for the target board, consider using stand-offs, transition sockets or other extenders in the header connection socket to raise the header above the target.

Headers for ICD Devices

ICD HEADER PIN CONNECTIONS

The following diagrams show header pin connections.

FIGURE 12: AC162050, AC162058 (8-PIN)

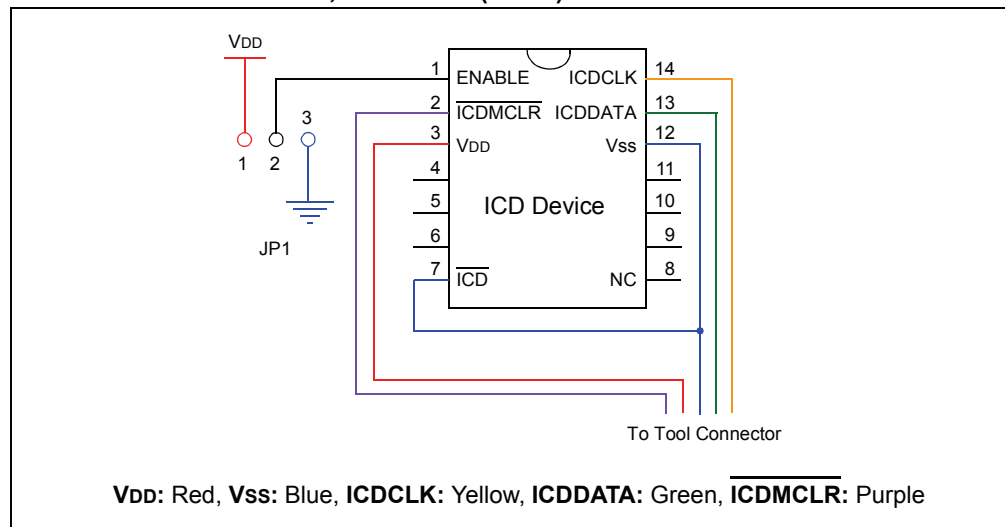
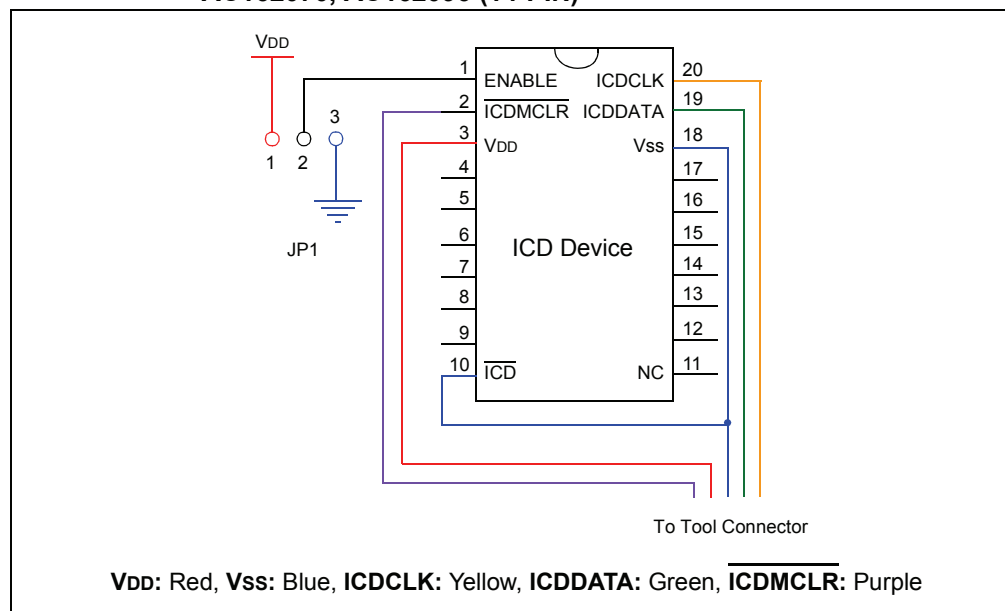


FIGURE 13: AC162052, AC162055, AC162056, AC162057, AC162059, AC162070, AC162096 (14-PIN)



Headers for ICD Devices

FIGURE 14: AC162053, AC162054 (18-PIN)

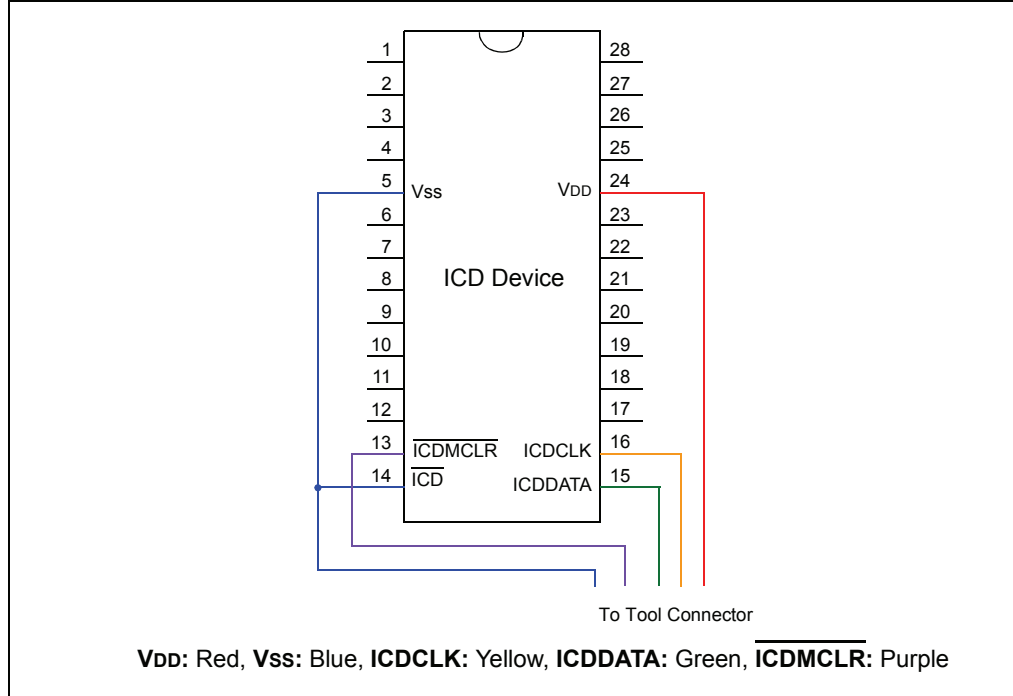
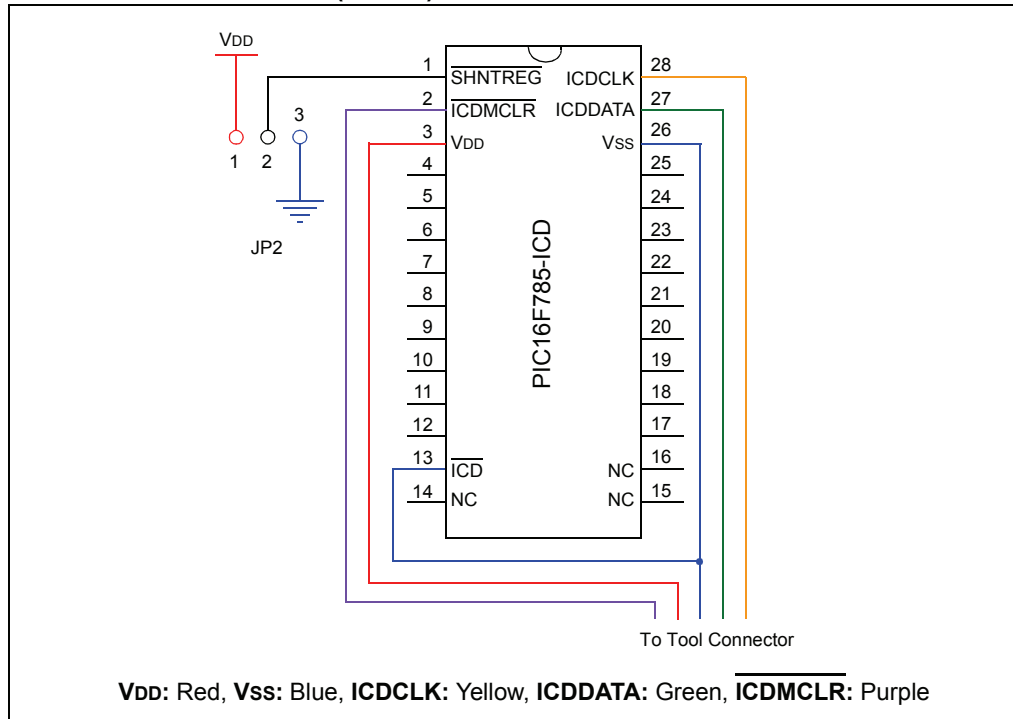


FIGURE 15: AC162060 (20-PIN)



Headers for ICD Devices

FIGURE 16: AC162061 (20-PIN)

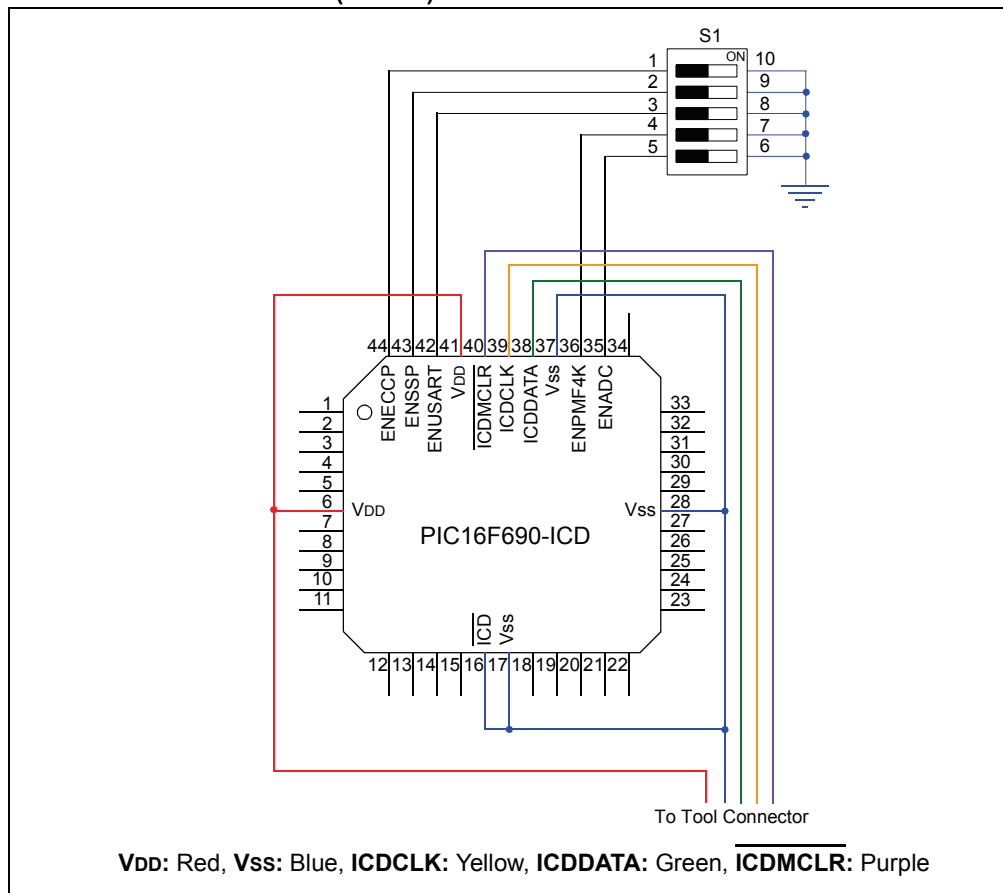


FIGURE 17: AC162066 (20-PIN)

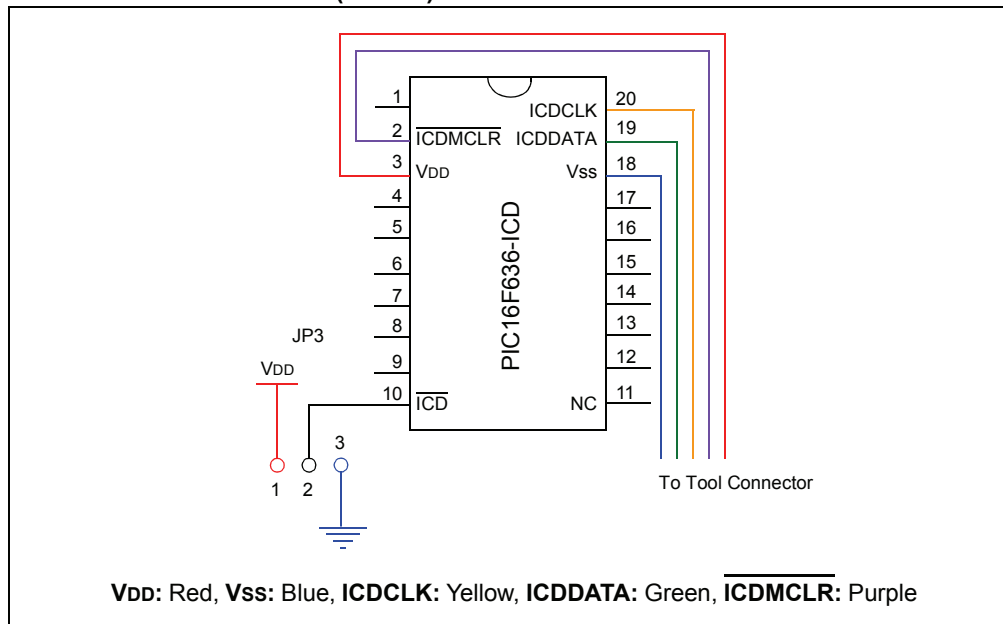
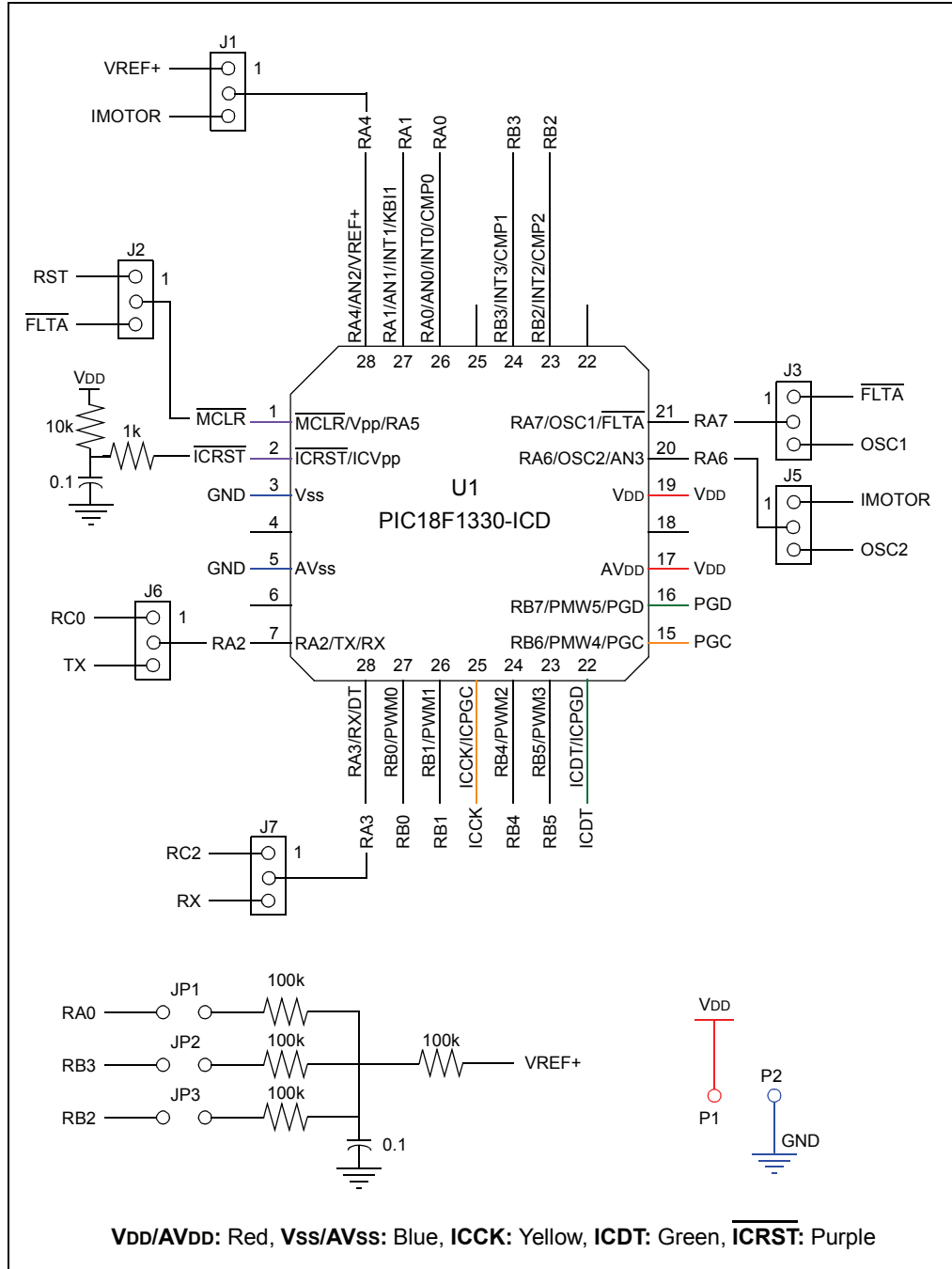
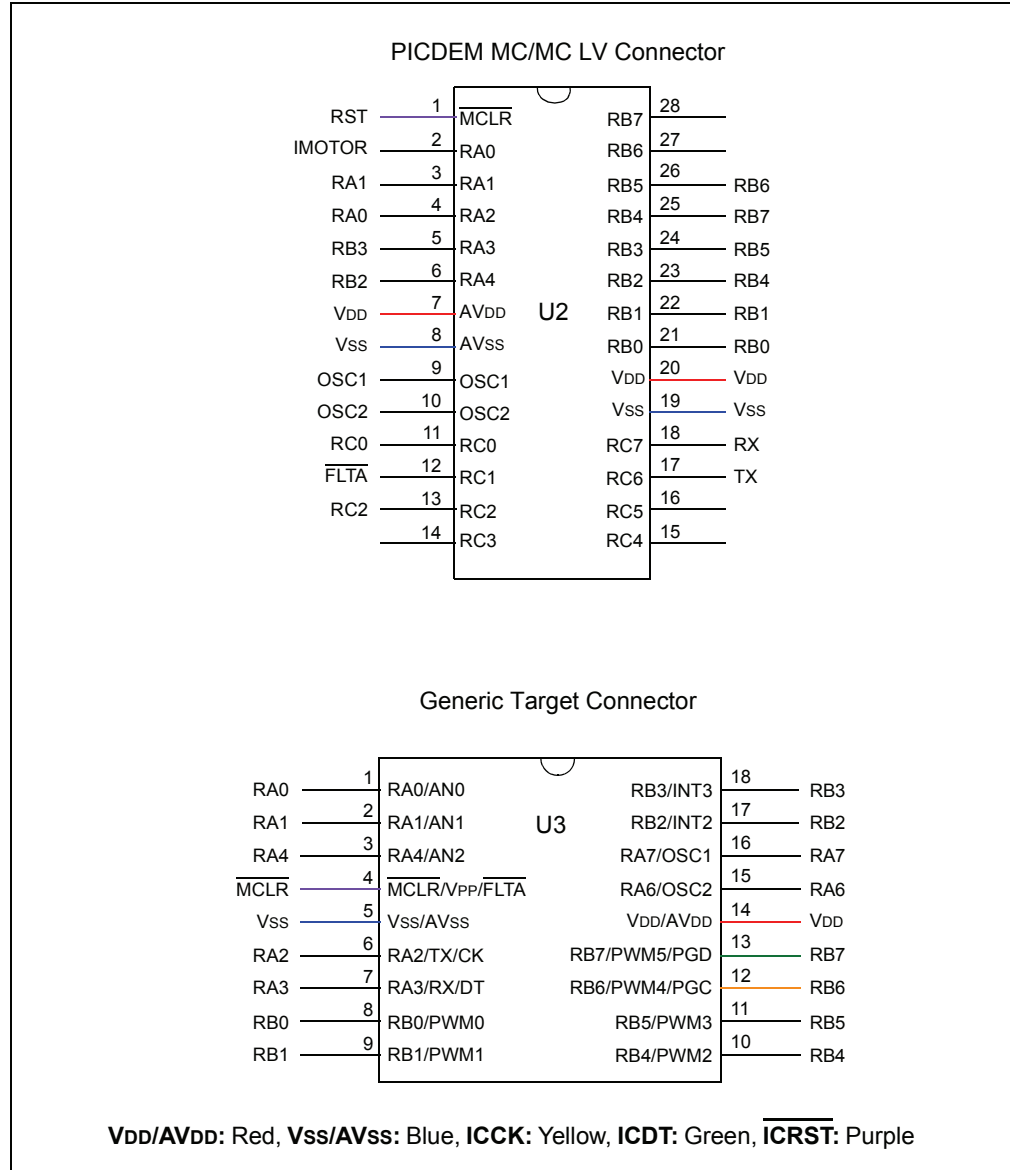


FIGURE 18: AC162078 – PART 1



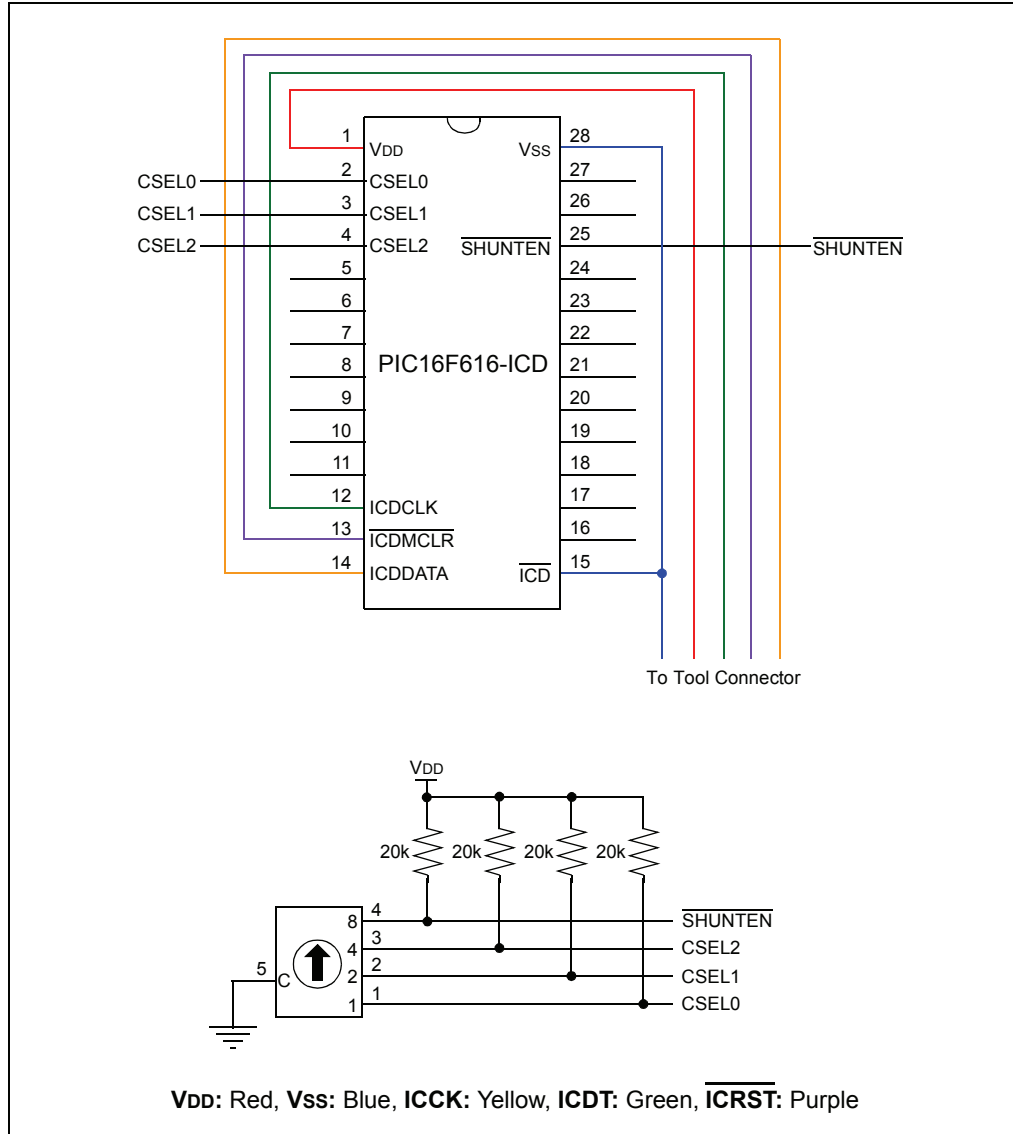
Headers for ICD Devices

FIGURE 19: AC162078 – PART 2



Headers for ICD Devices

FIGURE 20: AC162083



Headers for ICD Devices

NOTES:

APPENDIX A: REVISION HISTORY

A.1 Revision N (February 2006)

- Added Appendix A: Revision History
- Updated document to reflect support of additional tools
- Additional minor corrections throughout document text

A.2 Revision P (February 2008)

- Updated document to reflect support of additional tools
- Additional minor corrections throughout document text

Header Board Specification

NOTES:

Index

A

AC162050	11, 12, 17, 18
AC162052	11, 12, 17, 18
AC162053	11, 12, 13, 17, 19
AC162054	12, 13, 17, 19
AC162055	12, 17, 18
AC162056	12, 17, 18
AC162057	11, 12, 17, 18
AC162058	11, 12, 17, 18
AC162059	11, 13, 17, 18
AC162060	12, 13, 17, 19
AC162061	11, 12, 14, 17, 20
AC162062	6, 8, 9
AC162064	6, 7, 8, 10
AC162066	12, 14, 17, 20
AC162067	5, 7, 8, 9
AC162070	11, 13, 17, 18
AC162074	5, 7, 8, 9
AC162078	12, 15, 17, 21
AC162079	5, 8, 9
AC162083	11, 16, 17, 23
AC162087	6, 8, 9
AC162091	6, 8, 9
AC162096	11, 17
AC244020	6, 8
AC244022	6, 8
Additional Information	4

C

Calibration Bits	4
------------------------	---

D

dsPIC33FJGPXXX	6
dsPIC33FJMCXXX	6

J

Jumper Settings	7, 12, 13, 14, 15
-----------------------	-------------------

M

MPLAB ICE 2000	14
----------------------	----

P

PCM16YM0	14
Performance	4
PIC10F200	11
PIC10F202	11
PIC10F204	11
PIC10F206	11
PIC10F220	11
PIC10F222	11
PIC12F508	11
PIC12F509	11

PIC12F510	11
PIC12F519	11
PIC12F609	11, 16
PIC12F615	16
PIC12F629	11, 12
PIC12F635	11, 12
PIC12F675	11, 12
PIC12F683	11, 12
PIC12HV609	11, 16
PIC12HV615	16
PIC16F505	11
PIC16F506	11
PIC16F526	11
PIC16F610	11, 16
PIC16F616	11, 16
PIC16F627A	11, 13
PIC16F628A	11, 13
PIC16F630	11, 12
PIC16F631	11, 14
PIC16F636	12
PIC16F639	12, 14
PIC16F648A	12, 13
PIC16F676	12
PIC16F677	12, 14
PIC16F684	12
PIC16F685	12, 14
PIC16F687	12, 14
PIC16F688	12
PIC16F689	12, 14
PIC16F690	12, 14
PIC16F716	12, 13
PIC16F785	12, 13
PIC16HV610	11, 16
PIC16HV616	11, 16
PIC16HV785	12, 13
PIC18F1230	12, 15
PIC18F1330	12, 15
PIC18F24J10	5
PIC18F25J10	5, 7
PIC18F44J10	5
PIC18F45J10	5, 7
PIC18F63J11	5
PIC18F63J90	5
PIC18F64J11	5
PIC18F64J16	5
PIC18F64J90	5
PIC18F64J95	5
PIC18F65J10	6
PIC18F65J11	5
PIC18F65J15	6
PIC18F65J16	6

Header Board Specification

PIC18F65J50	6
PIC18F65J55	6
PIC18F65J90	5
PIC18F66J10	6
PIC18F66J11	6
PIC18F66J15	6
PIC18F66J16	6
PIC18F66J50	6
PIC18F66J55	6
PIC18F66J60	6
PIC18F66J65	6
PIC18F67J10	6
PIC18F67J11	6
PIC18F67J50	6
PIC18F67J60	6
PIC18F83J11	5
PIC18F83J90	5
PIC18F84J11	5
PIC18F84J16	5
PIC18F84J90	5
PIC18F84J95	5
PIC18F85J10	6
PIC18F85J11	5
PIC18F85J15	6
PIC18F85J16	6
PIC18F85J50	6
PIC18F85J55	6
PIC18F85J90	5
PIC18F86J10	6
PIC18F86J11	6
PIC18F86J15	6
PIC18F86J16	6
PIC18F86J50	6
PIC18F86J55	6
PIC18F86J60	6
PIC18F86J65	6
PIC18F87J10	6
PIC18F87J11	6
PIC18F87J50	6
PIC18F87J60	6
PIC18F96J60	6
PIC18F96J65	6
PIC18F97J60	6
PIC18LF24J10	5
PIC18LF25J10	5, 7
PIC18LF44J10	5
PIC18LF45J10	5, 7
PICDEM HPC Explorer Board	7
Pin Connections	
14-Pin	18
18-Pin	19
20-Pin	19, 20
28/40/44-Pin	9
28-Pin	21, 23
64/80/100-Pin	10
64/80-Pin	9
8-Pin	18
Programming Non-ICD Devices	3

S

Switch Settings	14
Switch Settings, Rotary	16

T

Transition Socket	3
-------------------------	---

V

V _{DD} Max	
2.75V (core)	5
3.6V	5
5.5V	11

Note the following details of the code protection feature on Microchip devices:

- Microchip products meet the specification contained in their particular Microchip Data Sheet.
- Microchip believes that its family of products is one of the most secure families of its kind on the market today, when used in the intended manner and under normal conditions.
- There are dishonest and possibly illegal methods used to breach the code protection feature. All of these methods, to our knowledge, require using the Microchip products in a manner outside the operating specifications contained in Microchip's Data Sheets. Most likely, the person doing so is engaged in theft of intellectual property.
- Microchip is willing to work with the customer who is concerned about the integrity of their code.
- Neither Microchip nor any other semiconductor manufacturer can guarantee the security of their code. Code protection does not mean that we are guaranteeing the product as "unbreakable."

Code protection is constantly evolving. We at Microchip are committed to continuously improving the code protection features of our products. Attempts to break Microchip's code protection feature may be a violation of the Digital Millennium Copyright Act. If such acts allow unauthorized access to your software or other copyrighted work, you may have a right to sue for relief under that Act.

Information contained in this publication regarding device applications and the like is provided only for your convenience and may be superseded by updates. It is your responsibility to ensure that your application meets with your specifications. MICROCHIP MAKES NO REPRESENTATIONS OR WARRANTIES OF ANY KIND WHETHER EXPRESS OR IMPLIED, WRITTEN OR ORAL, STATUTORY OR OTHERWISE, RELATED TO THE INFORMATION, INCLUDING BUT NOT LIMITED TO ITS CONDITION, QUALITY, PERFORMANCE, MERCHANTABILITY OR FITNESS FOR PURPOSE. Microchip disclaims all liability arising from this information and its use. Use of Microchip devices in life support and/or safety applications is entirely at the buyer's risk, and the buyer agrees to defend, indemnify and hold harmless Microchip from any and all damages, claims, suits, or expenses resulting from such use. No licenses are conveyed, implicitly or otherwise, under any Microchip intellectual property rights.

Trademarks

The Microchip name and logo, the Microchip logo, Accuron, dsPIC, KEELOQ, KEELOQ logo, MPLAB, PIC, PICmicro, PICSTART, PRO MATE, rPIC and SmartShunt are registered trademarks of Microchip Technology Incorporated in the U.S.A. and other countries.


FilterLab, Linear Active Thermistor, MXDEV, MXLAB, SEEVAL, SmartSensor and The Embedded Control Solutions Company are registered trademarks of Microchip Technology Incorporated in the U.S.A.

Analog-for-the-Digital Age, Application Maestro, CodeGuard, dsPICDEM, dsPICDEM.net, dsPICworks, dsSPEAK, ECAN, ECONOMONITOR, FanSense, In-Circuit Serial Programming, ICSP, ICEPIC, Mindi, MiWi, MPASM, MPLAB Certified logo, MPLIB, MPLINK, mTouch, PICkit, PICDEM, PICDEM.net, PICtail, PIC³² logo, PowerCal, PowerInfo, PowerMate, PowerTool, REAL ICE, rLAB, Select Mode, Total Endurance, UNI/O, WiperLock and ZENA are trademarks of Microchip Technology Incorporated in the U.S.A. and other countries.

SQTP is a service mark of Microchip Technology Incorporated in the U.S.A.

All other trademarks mentioned herein are property of their respective companies.

© 2008, Microchip Technology Incorporated, Printed in the U.S.A., All Rights Reserved.

 Printed on recycled paper.

**QUALITY MANAGEMENT SYSTEM
CERTIFIED BY DNV
== ISO/TS 16949:2002 ==**

Microchip received ISO/TS-16949:2002 certification for its worldwide headquarters, design and wafer fabrication facilities in Chandler and Tempe, Arizona; Gresham, Oregon and design centers in California and India. The Company's quality system processes and procedures are for its PIC® MCUs and dsPIC® DSCs, KEELOQ® code hopping devices, Serial EEPROMs, microperipherals, nonvolatile memory and analog products. In addition, Microchip's quality system for the design and manufacture of development systems is ISO 9001:2000 certified.



WORLDWIDE SALES AND SERVICE

AMERICAS

Corporate Office
2355 West Chandler Blvd.
Chandler, AZ 85224-6199
Tel: 480-792-7200
Fax: 480-792-7277
Technical Support:
<http://support.microchip.com>
Web Address:
www.microchip.com

Atlanta

Duluth, GA
Tel: 678-957-9614
Fax: 678-957-1455

Boston

Westborough, MA
Tel: 774-760-0087
Fax: 774-760-0088

Chicago

Itasca, IL
Tel: 630-285-0071
Fax: 630-285-0075

Dallas

Addison, TX
Tel: 972-818-7423
Fax: 972-818-2924

Detroit

Farmington Hills, MI
Tel: 248-538-2250
Fax: 248-538-2260

Kokomo

Kokomo, IN
Tel: 765-864-8360
Fax: 765-864-8387

Los Angeles

Mission Viejo, CA
Tel: 949-462-9523
Fax: 949-462-9608

Santa Clara

Santa Clara, CA
Tel: 408-961-6444
Fax: 408-961-6445

Toronto

Mississauga, Ontario,
Canada
Tel: 905-673-0699
Fax: 905-673-6509

ASIA/PACIFIC

Asia Pacific Office
Suites 3707-14, 37th Floor
Tower 6, The Gateway
Harbour City, Kowloon
Hong Kong
Tel: 852-2401-1200
Fax: 852-2401-3431

Australia - Sydney
Tel: 61-2-9868-6733
Fax: 61-2-9868-6755

China - Beijing
Tel: 86-10-8528-2100
Fax: 86-10-8528-2104

China - Chengdu
Tel: 86-28-8665-5511
Fax: 86-28-8665-7889

China - Hong Kong SAR
Tel: 852-2401-1200
Fax: 852-2401-3431

China - Nanjing
Tel: 86-25-8473-2460
Fax: 86-25-8473-2470

China - Qingdao
Tel: 86-532-8502-7355
Fax: 86-532-8502-7205

China - Shanghai
Tel: 86-21-5407-5533
Fax: 86-21-5407-5066

China - Shenyang
Tel: 86-24-2334-2829
Fax: 86-24-2334-2393

China - Shenzhen
Tel: 86-755-8203-2660
Fax: 86-755-8203-1760

China - Wuhan
Tel: 86-27-5980-5300
Fax: 86-27-5980-5118

China - Xiamen
Tel: 86-592-2388138
Fax: 86-592-2388130

China - Xian
Tel: 86-29-8833-7252
Fax: 86-29-8833-7256

China - Zhuhai
Tel: 86-756-3210040
Fax: 86-756-3210049

ASIA/PACIFIC

India - Bangalore
Tel: 91-80-4182-8400
Fax: 91-80-4182-8422

India - New Delhi
Tel: 91-11-4160-8631
Fax: 91-11-4160-8632

India - Pune
Tel: 91-20-2566-1512
Fax: 91-20-2566-1513

Japan - Yokohama
Tel: 81-45-471- 6166
Fax: 81-45-471-6122

Korea - Daegu
Tel: 82-53-744-4301
Fax: 82-53-744-4302

Korea - Seoul
Tel: 82-2-554-7200
Fax: 82-2-558-5932 or
82-2-558-5934

Malaysia - Kuala Lumpur
Tel: 60-3-6201-9857
Fax: 60-3-6201-9859

Malaysia - Penang
Tel: 60-4-227-8870
Fax: 60-4-227-4068

Philippines - Manila
Tel: 63-2-634-9065
Fax: 63-2-634-9069

Singapore
Tel: 65-6334-8870
Fax: 65-6334-8850

Taiwan - Hsin Chu
Tel: 886-3-572-9526
Fax: 886-3-572-6459

Taiwan - Kaohsiung
Tel: 886-7-536-4818
Fax: 886-7-536-4803

Taiwan - Taipei
Tel: 886-2-2500-6610
Fax: 886-2-2508-0102

Thailand - Bangkok
Tel: 66-2-694-1351
Fax: 66-2-694-1350

EUROPE

Austria - Wels
Tel: 43-7242-2244-39
Fax: 43-7242-2244-393

Denmark - Copenhagen
Tel: 45-4450-2828
Fax: 45-4485-2829

France - Paris
Tel: 33-1-69-53-63-20
Fax: 33-1-69-30-90-79

Germany - Munich
Tel: 49-89-627-144-0
Fax: 49-89-627-144-44

Italy - Milan
Tel: 39-0331-742611
Fax: 39-0331-466781

Netherlands - Drunen
Tel: 31-416-690399
Fax: 31-416-690340

Spain - Madrid
Tel: 34-91-708-08-90
Fax: 34-91-708-08-91

UK - Wokingham
Tel: 44-118-921-5869
Fax: 44-118-921-5820

Компания «Океан Электроники» предлагает заключение долгосрочных отношений при поставках импортных электронных компонентов на взаимовыгодных условиях!

Наши преимущества:

- Поставка оригинальных импортных электронных компонентов напрямую с производств Америки, Европы и Азии, а так же с крупнейших складов мира;
- Широкая линейка поставок активных и пассивных импортных электронных компонентов (более 30 млн. наименований);
- Поставка сложных, дефицитных, либо снятых с производства позиций;
- Оперативные сроки поставки под заказ (от 5 рабочих дней);
- Экспресс доставка в любую точку России;
- Помощь Конструкторского Отдела и консультации квалифицированных инженеров;
- Техническая поддержка проекта, помощь в подборе аналогов, поставка прототипов;
- Поставка электронных компонентов под контролем ВП;
- Система менеджмента качества сертифицирована по Международному стандарту ISO 9001;
- При необходимости вся продукция военного и аэрокосмического назначения проходит испытания и сертификацию в лаборатории (по согласованию с заказчиком);
- Поставка специализированных компонентов военного и аэрокосмического уровня качества (Xilinx, Altera, Analog Devices, Intersil, Interpoint, Microsemi, Actel, Aeroflex, Peregrine, VPT, Syfer, Eurofarad, Texas Instruments, MS Kennedy, Miteq, Cobham, E2V, MA-COM, Hittite, Mini-Circuits, General Dynamics и др.);

Компания «Океан Электроники» является официальным дистрибьютором и эксклюзивным представителем в России одного из крупнейших производителей разъемов военного и аэрокосмического назначения «JONHON», а так же официальным дистрибьютором и эксклюзивным представителем в России производителя высокотехнологичных и надежных решений для передачи СВЧ сигналов «FORSTAR».



JONHON

«JONHON» (основан в 1970 г.)

Разъемы специального, военного и аэрокосмического назначения:

(Применяются в военной, авиационной, аэрокосмической, морской, железнодорожной, горно- и нефтедобывающей отраслях промышленности)

«FORSTAR» (основан в 1998 г.)

ВЧ соединители, коаксиальные кабели, кабельные сборки и микроволновые компоненты:

(Применяются в телекоммуникациях гражданского и специального назначения, в средствах связи, РЛС, а так же военной, авиационной и аэрокосмической отраслях промышленности).



Телефон: 8 (812) 309-75-97 (многоканальный)

Факс: 8 (812) 320-03-32

Электронная почта: ocean@oceanchips.ru

Web: <http://oceanchips.ru/>

Адрес: 198099, г. Санкт-Петербург, ул. Калинина, д. 2, корп. 4, лит. А