



FCIconnect.com

Copyright FCI.

Configuration of Documents

P/N	Documents	No.	Title	CAT.No.	
SFW_S-25T(M)E1	Specification Connector dwg.	SC-SFWS01	CAT.NO.TABLE FOR 1mm SPACING SMT CONNECTOR	SFW_S-25T	
		JSA93342	1mm SPACING SURFACE MOUNT FPC/FFC CONNECTOR	SFW_S-25T	
		JSA93579	1mm SPACING SURFACE MOUNT FPC/FFC CONNECTOR	SFW_S-25TM	
		JSA93836	CAT. NO. TABLE FOR PLASTIC TAPE PACKAGED 1mm SPACING SMT CONN.	SFW_S-25T_E1	
		JSA93343	PLASTIC TAPE PACKAGED 1mm SPACING SMT CONNECTOR	SFW_S-25T_E1	
		JSA93338	RECOMMENDED CABLE	SFW_S-25T	
		JSA93340	RECOMMENDED CABLE	SFW_S-25T	
		JSA93341	RECOMMENDED CABLE	SFW_S-25T	
		Manual	BJM-SFWS101		
		Specification Connector dwg.	SC-SFWS02	CAT.NO.TABLE FOR 1mm SPACING SMT CONNECTOR	SFW_S-65T
SFW_S-65T(M)E1		JSA93900	1mm SPACING SURFACE MOUNT C/C CONNECTOR	SFW_S-65T	
		JSA93905	1mm SPACING SURFACE MOUNT C/C CONNECTOR	SFW_S-65TM	
		JSA93901	CAT. NO. TABLE FOR PLASTIC TAPE PACKAGED 1mm SPACING SMT CONN.	SFW_S-65T_E1	
		JSA93902	PLASTIC TAPE PACKAGED 1mm SPACING SMT CONNECTOR	SFW_S-65T_E1	
		JSA93903	RECOMMENDED CABLE	SFW_S-65T	
		JSA93904	RECOMMENDED CABLE	SFW_S-65T	
		Manual	BJM-SFWS102		
		Specification Connector dwg.	SC-SFWS03	CAT.NO.TABLE FOR 1mm SPACING SMT CONNECTOR	SFW_S-25T_LF
			JSA96516	1mm SPACING SURFACE MOUNT FPC/FFC CONNECTOR	SFW_S-25T_LF
			JSA96517	1mm SPACING SURFACE MOUNT FPC/FFC CONNECTOR	SFW_S-25TM_LF
SFW_S-25T(M)E1LF		JSA96518	CAT. NO. TABLE FOR PLASTIC TAPE PACKAGED 1mm SPACING SMT CONN.	SFW_S-25T_E1LF	
		JSA96519	PLASTIC TAPE PACKAGED 1mm SPACING SMT CONNECTOR	SFW_S-25T_E1LF	
		JSA96520	RECOMMENDED CABLE	SFW_S-25T_LF	
		JSA93340	RECOMMENDED CABLE	SFW_S-25T_LF	
		JSA93341	RECOMMENDED CABLE	SFW_S-25T_LF	
		Manual	BJM-SFWS101		
		Specification Connector dwg.	SC-SFWS04	CAT. NO. TABLE FOR 1mm SPACING SMT CONNECTOR	SFW_S-65T_LF
			JSA96521	1mm SPACING SURFACE MOUNT C/C CONNECTOR	SFW_S-65T_LF
			JSA96522	1mm SPACING SURFACE MOUNT C/C CONNECTOR	SFW_S-65TM_LF
			JSA96523	CAT. NO. TABLE FOR PLASTIC TAPE PACKAGED 1mm SPACING SMT CONN.	SFW_S-65T_E1LF
SFW_S-65T(M)E1LF		JSA96524	PLASTIC TAPE PACKAGED 1mm SPACING SMT CONNECTOR	SFW_S-65T_E1LF	
		JSA96525	RECOMMENDED CABLE	SFW_S-65T_LF	
		JSA93904	RECOMMENDED CABLE	SFW_S-65T_LF	
		Manual	BJM-SFWS102		

mat'l. code		surface 58 / tolerance ISO 1302 / ISO 406 / ISO 1101		projection		product family 58SF		CODE JP	
ltr	ecn no	dr	date	tolerances unless otherwise specified		title		sheet 1 of 1	
A	J05-0334	H.T	6/3/'05	angles linear		SFW_S Documents Configuration (1mm Spacing connector)		size A4	
B	J05-0377	H.T	6/22/'05			scale		sheet 1 of 1	
C	J06-0430	H.T	10/19/'06			mm		sheet 1 of 1	
						scale		sheet 1 of 1	
						mm		sheet 1 of 1	
						mm		sheet 1 of 1	
						mm		sheet 1 of 1	
						mm		sheet 1 of 1	
sheet index	revision sheet	C	1			type Product Customer Drawing		Rev. C	

CAT. NO. & DIMENSIONS

NOTE3	NO. OF CONTACTS (n)	CAT. NO.	DIMENSIONS (NOTE2)		
			A ±0.2	B ±0.2	C ±0.2
	4	SFW4S-6ST___LF	10.4	5.24	3
	5	SFW5S-6ST___LF	11.4	6.24	4
	6	SFW6S-6ST___LF	12.4	7.24	5
*	7	SFW7S-6ST___LF	13.4	8.24	6
	8	SFW8S-6ST___LF	14.4	9.24	7
*	9	SFW9S-6ST___LF	15.4	10.24	8
	10	SFW10S-6ST___LF	16.4	11.24	9
	11	SFW11S-6ST___LF	17.4	12.24	10
*	12	SFW12S-6ST___LF	18.4	13.24	11
	13	SFW13S-6ST___LF	19.4	14.24	12
	14	SFW14S-6ST___LF	20.4	15.24	13
	15	SFW15S-6ST___LF	21.4	16.24	14
	16	SFW16S-6ST___LF	22.4	17.24	15
	17	SFW17S-6ST___LF	23.4	18.24	16
*	18	SFW18S-6ST___LF	24.4	19.24	17
*	19	SFW19S-6ST___LF	25.4	20.24	18
	20	SFW20S-6ST___LF	26.4	21.24	19
*	21	SFW21S-6ST___LF	27.4	22.24	20
	22	SFW22S-6ST___LF	28.4	23.24	21
	23	SFW23S-6ST___LF	29.4	24.24	22
	24	SFW24S-6ST___LF	30.4	25.24	23
*	25	SFW25S-6ST___LF	31.4	26.24	24
	26	SFW26S-6ST___LF	32.4	27.24	25
*	27	SFW27S-6ST___LF	33.4	28.24	26
	28	SFW28S-6ST___LF	34.4	29.24	27
	29	SFW29S-6ST___LF	35.4	30.24	28
	30	SFW30S-6ST___LF	36.4	31.24	29
*	31	SFW31S-6ST___LF	37.4	32.24	30
*	32	SFW32S-6ST___LF	38.4	33.24	31



NOTES

1. THIS PRODUCT IS THE CONNECTOR, DESIGNED TO TERMINATE CIC AND COPE WITH AUTOMATIC MOUNTING (SMT).
2. SEE PART DRAWINGS FOR DIMENSIONS A.B.C.
3. PLEASE CONSULT US IN CASE OF USING PARTS WITH * MARK

mat'l. code			surface 58 / tolerance ISO 1302 / ISO 406 / ISO 1101		projection	product family 58SF	CODE JP
ltr	ecn no	dr	date	tolerances unless otherwise specified		title	
A	J05-0377	H.T	2005-6-22	angles	linear	CAT. NO. TABLE FOR 1mm SPACING SMT CONNECTOR (CAT.No.SFW___S-6ST___LF)	
B	J05-0547	H.T	2005-8-30			mm	
C	J06-0430	H.T	2006-10-19			scale X	
D	J07-0407	H.T	2007-8-9	dr	engr	dwg no sheet 1 of 1 size	
				chr	appd	JSA 96521 A4	
sheet index		revision sheet	D 1	type Product Customer Drawing			



FCIconnect.com

Copyright FCI.



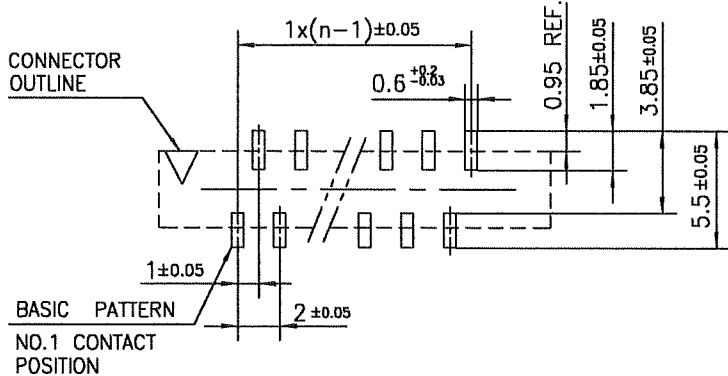
PT. NO.	PARTS NAME	MATERIAL	Q'TY	NOTE
1	HOUSING	GLASS FILLED THERMOPLASTIC RATED. (UL94V-0)	1	COLOR : BROWN
2	SLIDER	GLASS FILLED THERMOPLASTIC RATED. (UL94V-0)	1	COLOR : BLACK
3	CONTACT	PHOSPHOR BRONZE	n	PLATING : TIN Ni UNDER PLATED(LEAD FREE)

n : NO. OF CONTACTS

NOTES

1. THIS PRODUCT IS THE CONNECTOR DESIGNED TO TERMINATE CIC AND COPES WITH AUTOMATIC MOUNTING (SMT).
2. FLATNESS OF CONTACT TERMINAL MUST BE WITHIN TOLERANCE IN Z PORTION DETAILED DRAWING.
3. THIS DIMENSION IS SPACE FOR THE NOZZLE OF MOUNTER.
4. THIS PRODUCT MEETS EUROPEAN UNION DIRECTIVES AND OTHER COUNTRY REGULATIONS AS DESCRIBED IN GS-22-008
5. THE HOUSING WILL WITHSTAND EXPOSURE TO 260°C PEAK TEMPERATURE FOR 10 SECONDS IN A REFLOW SOLDERING OVEN.

RECOMMENDED PC BOARD LAYOUT (COMPONENT SIDE)



mat'l. code				surface 58 / tolerance ISO 1302 ✓ / ISO 406 / ISO 1101		projection		product family 58SF		CODE JP	
ltr ecn no dr date				tolerances unless otherwise specified		mm		title			
A J05-0377 H.T 6/22/05				±0.2		mm		1mm SPACING SURFACE MOUNT CIC CONNECTOR (CAT.No.SFW__S-6ST__LF)			
B J05-0731 H.T 10/28/05				linear		scale X		dwg no sheet 1 of 1 size			
C J06-0430 H.T 10/19/06						FCI		JSA 96522 A4			
dr				10/19/06				type Product Customer Drawing			
enr				10/19/06				Rev. C			
chr				10/19/06							
appd				10/20/06							
sheet index		revision sheet		C 1							



FCIconnect.com

Copyright FCI.



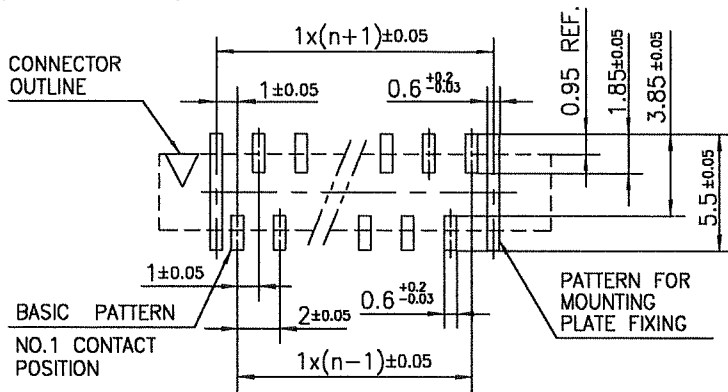
PT. NO.	PARTS NAME	MATERIAL	Q'TY	NOTE
1	HOUSING	GLASS FILLED THERMOPLASTIC RATED.	1	COLOR : ROWN
2	SLIDER	(UL94V-0)	1	COLOR : BLACK
3	CONTACT	PHOSPHOR BRONZE	n	PLATING : TIN Ni UNDER PLATED(LEAD FREE)
4	MOUNTING PLATE	BRASS	2	

n : NO. OF CONTACTS

NOTES

1. THIS PRODUCT IS THE CONNECTOR DESIGNED TO TERMINATE CIC AND COPE WITH AUTOMATIC MOUNTING (SMT).
2. FLATNESS OF CONTACT TERMINAL AND MOUNTING PLATE MUST BE WITHIN TOLERANCE IN Z PORTION DETAILED DRAWING.
3. THIS DIMENSION IS SPACE FOR THE NOZZLE OF MOUNTER.
4. THIS PRODUCT MEETS EUROPEAN UNION DIRECTIVES AND OTHER COUNTRY REGULATIONS AS DESCRIBED IN GS-22-008
5. THE HOUSING WILL WITHSTAND EXPOSURE TO 260°C PEAK TEMPERATURE FOR 10 SECONDS IN A REFLOW SOLDERING OVEN.

RECOMMENDED PC BOARD LAYOUT (COMPONENT SIDE)



mat'l. code				surface 58 ✓ ISO 1302		tolerance ISO 406 ISO 1101		projection 		product family 58SF		CODE JP	
ltr ecn no dr date				tolerances unless otherwise specified		±0.2		mm		title 1mm SPACING SURFACE MOUNT CIC CONNECTOR (CAT.No.SFW__S-6STM__LF)			
A J05-0377 H.T 6/22/05				angles		linear		scale X		dwg no sheet 1 of 1		size	
B J05-0731 H.T 10/28/05										JSA 96523		A4	
C J06-0430 H.T 10/19/06				dr		10/19/06				type Product Customer Drawing			
				enrg		10/19/06							
				chr		10/19/06							
				appd		10/20/06							
sheet index		revision sheet		C		1						Rev. c	

CAT. NO. & DIMENSIONS

(NOTE4)	NO. OF CONTACTS (n)	CAT. NO. (NOTE2)	DIMENSIONS (NOTE3)		
			D ± 5	E ± 0.3	F ± 0.1
	4	SFW4S-6ST_E1LF	28.4	24	—
	5	SFW5S-6ST_E1LF	28.4	24	—
	6	SFW6S-6ST_E1LF	28.4	24	—
*	7	SFW7S-6ST_E1LF	28.4	24	—
	8	SFW8S-6ST_E1LF	28.4	24	—
*	9	SFW9S-6ST_E1LF	28.4	24	—
	10	SFW10S-6ST_E1LF	28.4	24	—
	11	SFW11S-6ST_E1LF	28.4	24	—
*	12	SFW12S-6ST_E1LF	36.4	32	28.4
	13	SFW13S-6ST_E1LF	36.4	32	28.4
	14	SFW14S-6ST_E1LF	36.4	32	28.4
	15	SFW15S-6ST_E1LF	36.4	32	28.4
	16	SFW16S-6ST_E1LF	48.4	44	40.4
	17	SFW17S-6ST_E1LF	48.4	44	40.4
*	18	SFW18S-6ST_E1LF	48.4	44	40.4
*	19	SFW19S-6ST_E1LF	48.4	44	40.4
	20	SFW20S-6ST_E1LF	48.4	44	40.4
*	21	SFW21S-6ST_E1LF	48.4	44	40.4
	22	SFW22S-6ST_E1LF	48.4	44	40.4
	23	SFW23S-6ST_E1LF	48.4	44	40.4
	24	SFW24S-6ST_E1LF	48.4	44	40.4
*	25	SFW25S-6ST_E1LF	48.4	44	40.4
	26	SFW26S-6ST_E1LF	48.4	44	40.4
*	27	SFW27S-6ST_E1LF	60.4	56	52.4
	28	SFW28S-6ST_E1LF	60.4	56	52.4
	29	SFW29S-6ST_E1LF	60.4	56	52.4
	30	SFW30S-6ST_E1LF	60.4	56	52.4
*	31	SFW31S-6ST_E1LF	60.4	56	52.4
*	32	SFW32S-6ST_E1LF	60.4	56	52.4



NOTES

- THIS PRODUCT IS THE CONNECTOR DESIGNED TO TERMINATE CIC AND COPE WITH AUTOMATIC MOUNTING (SMT).
- THIS CATALOG NO. INDICATES PLASTIC TAPE PACKAGED CONNECTOR.
- SEE PART DRAWINGS FOR DIMENSIONS D~F.
- PLEASE CONSULT US IN CASE OF USING PARTS WITH * MARK.



FCIconnect.com

Copyright FCI.

mat'l. code				surface 58 / tolerance ISO 1302 / ISO 406 / ISO 1101		projection		product family 58SF		CODE JP
litr ecn no dr date				tolerances unless otherwise specified		mm		title		
A	J05-0377	H.T	2005-6-22	angles linear		mm		CAT. NO. TABLE FOR PLASTIC TAPE PACKAGED 1mm SPACING SMT CONN. (CAT.No.SFW__S-6ST_E1LF)		
B	J05-0547	H.T	2005-8-30			scale X		dwg no sheet 1 of 1 size		
C	J06-0430	H.T	2006-10-19			FCI		JSA 96524 A4		
D	J07-0407	H.T	2007-8-9	dr engr chr appd				type Product Customer Drawing		
sheet index		revision sheet		D 1						Rev. D



PT. NO.	PARTS NAME	CAT. NO.	MATERIAL	Q'TY	NOTE
1	REEL	_____	CARDBOARD	1	COLOR:GRAY
2	PLASTIC (EMBOSSED) TAPE	_____	PET	_____	COLOR:TRANSPARENCY
3	COVER	_____	POLYESTER	_____	COLOR:TRANSPARENCY
4	CONNECTOR	SFW__S-6ST__LF	SEE ATTACHED DWG.	1000	_____

- NOTES
1. THIS IS PLASTIC TAPE PACKAGED CONNECTOR USED FOR CIC AND COPES WITH AUTOMATIC MOUNTING (SMT).
 2. SEE JIS C 0806 (PACKING OF ELECTRONIC COMPONENTS ON CONTINUOUS TAPES (SURFACE MOUNTING DEVICES)) FOR SHAPE AND DIMENSIONS OF PLASTIC (EMBOSSED) TAPE AND REEL.
 3. D DIMENSION IS PORTION OF THE CORE.

mat'l. code				surface 58 ISO 1302 ✓	tolerance ISO 406 ISO 1101	projection mm	product family 58SF	CODE JP	
ltr	ecn no	dr	date	tolerances unless otherwise specified		mm	title PLASTIC TAPE PACKAGED 1mm SPACING SMT CONNECTOR (CAT.No.SFW__S-6ST_E1LF)		
A	J05-0377	H.T	6/22/05	angles	±5				
B	J06-0430	H.T	10/19/06	linear	±5'	scale X	dwg no sheet 1 of 1 size		
				dr	<i>H. Shoupe</i> 10/19/06		JSA 96525 A4		
				enr	<i>H. Shoupe</i> 10/19/06		type Product Customer Drawing		
				chr	<i>R. Shoupe</i> 10/19/06				
				appd	<i>S. Shoupe</i> 10/20/06				
sheet index	revision sheet	B	1						Rev. B



Copyright FCI.

FCIconnect.com

RECOMMENDED CABLE (CIC)

n : NO. OF CONDUCTOR



PT. NO.	PARTS NAME	MATERIAL	THICKNESS (μm)	
1	BASE FILM	POLYESTER OR EQUAL	75	25
2	CONDUCTOR	CARBON PASTE OVER SILVER PASTE	10 MIN.	
3	OVERLAY	POLYIMIDE OR POLYESTER OR EQUAL	—	
4	SUPPORTING TAPE	POLYESTER OR POLYIMIDE OR EQUAL	188	250

NOTES

1. NO BURR AT EACH PORTION.
2. NO PEELING IN COMMON USE.
3. TOTAL THICKNESS LIMIT OF EACH MATERIAL (INCLUDING ADHESIVE AGENT) IS SPECIFIED.



FCIconnect.com

Copyright FCI.

mat'l. code				surface 58 ISO 1302 ✓		tolerance ISO 406 ISO 1101		projection mm		product family 58SF		CODE JP	
ltr ecn no dr date				tolerances unless otherwise specified		angles linear		scale X		title RECOMMENDED CABLE (CAT.No.SFW__S-6ST__)			
AA J04-0333 H.T Oct.13,'04										dwg no		sheet 1 of 1 size	
AB J06-0430 H.T 10/19/06										JSA 93904		A4	
				dr		10/19/06		FCI		type Product Customer Drawing			
				enr		10/19/06							
				chr		10/19/06							
				appd		10/20/06							
sheet index		revision sheet		AB 1								Rev. AB	

Компания «Океан Электроники» предлагает заключение долгосрочных отношений при поставках импортных электронных компонентов на взаимовыгодных условиях!

Наши преимущества:

- Поставка оригинальных импортных электронных компонентов напрямую с производств Америки, Европы и Азии, а так же с крупнейших складов мира;
- Широкая линейка поставок активных и пассивных импортных электронных компонентов (более 30 млн. наименований);
- Поставка сложных, дефицитных, либо снятых с производства позиций;
- Оперативные сроки поставки под заказ (от 5 рабочих дней);
- Экспресс доставка в любую точку России;
- Помощь Конструкторского Отдела и консультации квалифицированных инженеров;
- Техническая поддержка проекта, помощь в подборе аналогов, поставка прототипов;
- Поставка электронных компонентов под контролем ВП;
- Система менеджмента качества сертифицирована по Международному стандарту ISO 9001;
- При необходимости вся продукция военного и аэрокосмического назначения проходит испытания и сертификацию в лаборатории (по согласованию с заказчиком);
- Поставка специализированных компонентов военного и аэрокосмического уровня качества (Xilinx, Altera, Analog Devices, Intersil, Interpoint, Microsemi, Actel, Aeroflex, Peregrine, VPT, Syfer, Eurofarad, Texas Instruments, MS Kennedy, Miteq, Cobham, E2V, MA-COM, Hittite, Mini-Circuits, General Dynamics и др.);

Компания «Океан Электроники» является официальным дистрибьютором и эксклюзивным представителем в России одного из крупнейших производителей разъемов военного и аэрокосмического назначения «JONHON», а так же официальным дистрибьютором и эксклюзивным представителем в России производителя высокотехнологичных и надежных решений для передачи СВЧ сигналов «FORSTAR».



JONHON

«JONHON» (основан в 1970 г.)

Разъемы специального, военного и аэрокосмического назначения:

(Применяются в военной, авиационной, аэрокосмической, морской, железнодорожной, горно- и нефтедобывающей отраслях промышленности)

«FORSTAR» (основан в 1998 г.)

ВЧ соединители, коаксиальные кабели, кабельные сборки и микроволновые компоненты:

(Применяются в телекоммуникациях гражданского и специального назначения, в средствах связи, РЛС, а так же военной, авиационной и аэрокосмической отраслях промышленности).



Телефон: 8 (812) 309-75-97 (многоканальный)

Факс: 8 (812) 320-03-32

Электронная почта: ocean@oceanchips.ru

Web: <http://oceanchips.ru/>

Адрес: 198099, г. Санкт-Петербург, ул. Калинина, д. 2, корп. 4, лит. А