

100V Overvoltage, Undervoltage and Reverse Supply Protection Controller

DESCRIPTION

Demonstration circuit 2417A is intended to demonstrate the performance of the [LTC4367](#) 100V overvoltage (OV), undervoltage (UV), and reverse supply protection controller.

This controller protects circuits from input voltages that may be too high, too low or negative. It operates by controlling the gates of two back-to-back connected N-channel MOSFETs to keep the output in a safe range. The UV and OV setpoints are configured by the resistive divider on the UV and OV inputs. Asserting the $\overline{\text{SHDN}}$ pin disables the MOSFETs and places the LTC4367 in a low current shutdown state. The $\overline{\text{FAULT}}$ pin asserts when the controller is in the shutdown mode or when the input voltage is outside of the UV/OV window. The LTC4367

can withstand DC voltages between -40V and 100V and has an operating range of 2.5V to 60V .

The DC2417A includes the LTC4367, two back-to-back connected power MOSFETs, three jumpers and three LEDs to indicate the input and output voltages and the $\overline{\text{FAULT}}$ pin signal.

The DC2417A is assembled in two options: DC2417A-A, which is populated with LTC4367, and DC2417A-B, which uses LTC4367-1.

Design files for this circuit board are available at <http://www.linear.com/demo/DC2417A>

LT, LT, LTC, LTM, Linear Technology and the Linear logo are registered trademarks of Linear Technology Corporation. All other trademarks are the property of their respective owners.

PERFORMANCE SUMMARY Specifications are at $T_A = 25^\circ\text{C}$

SYMBOL	PARAMETER	CONDITIONS	MIN	TYP	MAX	UNITS
V_{IN}	Input Voltage Range	Operating Range	2.5		60	V
		Protection Range	-40		100	V
$V_{\text{IN(UVLO)}}$	Input Supply Undervoltage Lockout	V_{IN} Rising	1.8	2.2	2.4	V
I_{VIN}	Input Supply Current; On Off	$\overline{\text{SHDN}} = 2.5\text{V}$		30	90	μA
		$\overline{\text{SHDN}} = 0\text{V}, V_{\text{IN}} = V_{\text{OUT}}$		5	20	μA
$I_{\text{VIN(R)}}$	Reverse Input Supply Current	$V_{\text{IN}} = -40\text{V}, V_{\text{OUT}} = 0\text{V}$		-1.5	-2	mA
ΔV_{GATE}	Gate Drive ($\text{GATE} - V_{\text{OUT}}$)	$V_{\text{IN}} = V_{\text{OUT}} = 5.0\text{V}, I_{\text{GATE}} = 0\mu\text{A}, -1\mu\text{A}$	7.2	8.7	10.8	V
		$V_{\text{IN}} = V_{\text{OUT}} = 12\text{V to } 34\text{V}, I_{\text{GATE}} = -1\mu\text{A}$	10	11	12.2	V
$I_{\text{GATE(UP)}}$	Gate Pull-Up Current	$\text{GATE} = 15\text{V}, V_{\text{IN}} = V_{\text{OUT}} = 12\text{V}$	-20	-35	-50	μA
$I_{\text{GATE(FAST)}}$	Gate Fast Pull-Down Current	$\text{GATE} = 20\text{V}, V_{\text{IN}} = V_{\text{OUT}} = 12\text{V}$	30	60	90	mA
$I_{\text{GATE(SLOW)}}$	Gate Slow Pull-Down Current	$\text{GATE} = 20\text{V}, V_{\text{IN}} = V_{\text{OUT}} = 12\text{V}$	50	90	160	μA
V_{UV}	UV Input Threshold Voltage	UV Falling	492.5	500	507.5	mV
V_{OV}	OV Input Threshold Voltage	OV Rising	492.5	500	507.5	mV
$t_{\text{GATE(FAST)}}$	Gate Fast Turn-Off Delay	$C_{\text{GATE}} = 2.2\text{nF}, \text{UV or OV Fault}$		2	4	μs
t_{FAULT}	OV, UV Fault Propagation Delay	Overdrive = $50\text{mV}, V_{\text{IN}} = V_{\text{OUT}} = 12\text{V}$		1	2	μs
$V_{\overline{\text{SHDN}}}$	$\overline{\text{SHDN}}$ Input Threshold	$\overline{\text{SHDN}}$ Falling	0.4	0.75	1.2	V
$V_{\text{UV_BOARD}}$	Board UV Range		5.75	5.97	6.17	V
$V_{\text{OV_BOARD}}$	Board OV Range		14.44	14.95	15.47	V

OPERATING PRINCIPLES

The LTC4367 monitors the input voltage and disconnects downstream circuits when the input voltage is too low, too high or negative. The LTC4367 provides accurate overvoltage and undervoltage comparators to ensure that power is applied to the system only if the input supply is within the allowable voltage window. Reverse supply protection circuits automatically isolate the load from negative input voltages.

During normal operation, a high voltage charge pump enhances the gate of the external N-channel power MOSFETs.

The LTC4367 consumes 5 μ A during shutdown and 70 μ A while operating.

QUICK START PROCEDURE

DC2417A is easy to set up to evaluate the performance of the LTC4367. Refer to Figure 1 for proper measurement equipment setup and follow the procedure below.

Reverse Voltage Tests

- 1 Set JP1 to EN.
- 2 Set JP2 and JP3 to CONNECT LED.
- 3 Connect a power supply across VIN and GND in negative configuration (connect positive terminal to GND and negative terminal to VIN).
- 4 Connect voltmeters at the input and output and an ammeter in series with the supply.
- 5 Ramp VIN down to -30V (referenced to GND).
- 6 Verify output voltage is 0V and all LEDs are off.
- 7 Set JP2 and JP3 to OPEN position and measure the input current. It should be ≤ 2.4 mA.
- 8 Ramp VIN back to 0V and set JP2 and JP3 to CONNECT LED position.

Undervoltage/Overvoltage Test

- 9 Correct the polarity of the power supply connection across VIN to GND (connect positive terminal to VIN and negative terminal to GND).

- 10 Ramp supply up to 60V and verify that the green VIN LED and the red FAULT LED light up, but the green VOUT LED, does not light up.

- 11 Ramp supply down from 60V to 0V and verify the green VIN LED, red FAULT LED, green VOUT LED, and VOUT voltage according to Table 1 below.

- 12 Repeat steps 10 and 11 with a 3 A resistive load connected between VOUT and GND.

Table 1

VIN	VOUT	VIN LED	VOUT LED	FAULT LED
0V to 5.97V	0V	Off/Dim/On	Off	On
5.97V to 14.95V	V _{IN}	On	On	Off
14.95V to 60V	0V	On	Off	On

- 13 Remove load and set supply to 9V.

- 14 Move jumpers and verify LEDs according to Table 2 below.

Table 2

JP1	JP2/JP3	VIN LED	VOUT LED
EN	CONNECT LED	On	On
DIS	CONNECT LED	On	Off
EN	OPEN	Off	Off

QUICK START PROCEDURE

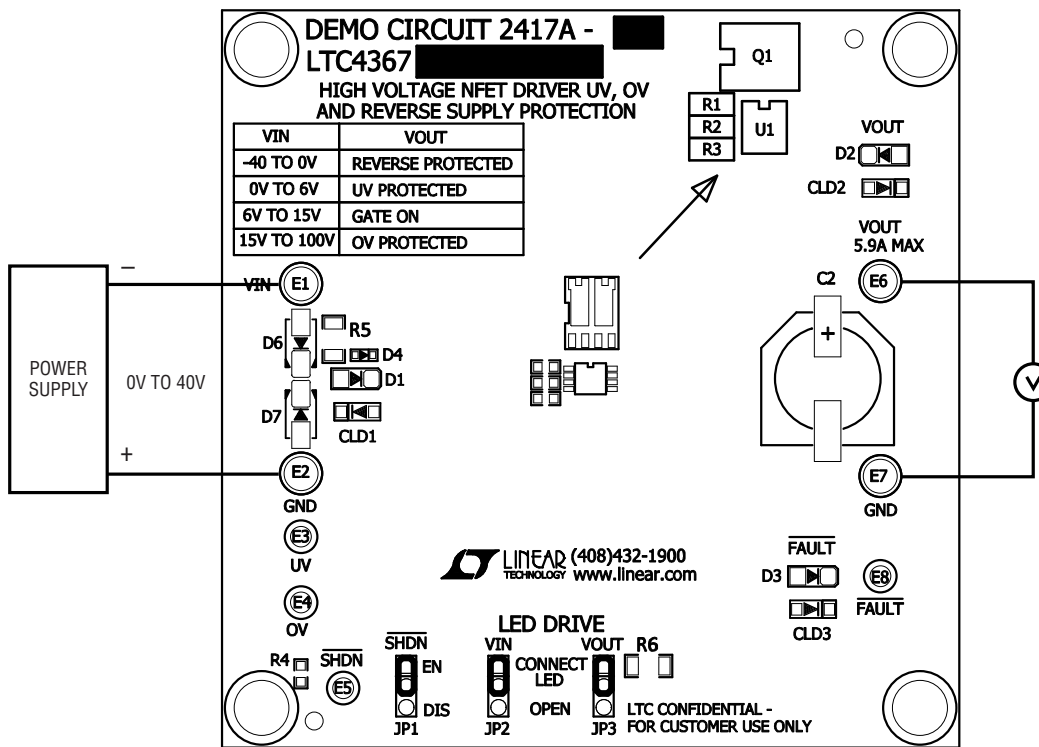


Figure 1a. Reverse Voltage Test

QUICK START PROCEDURE

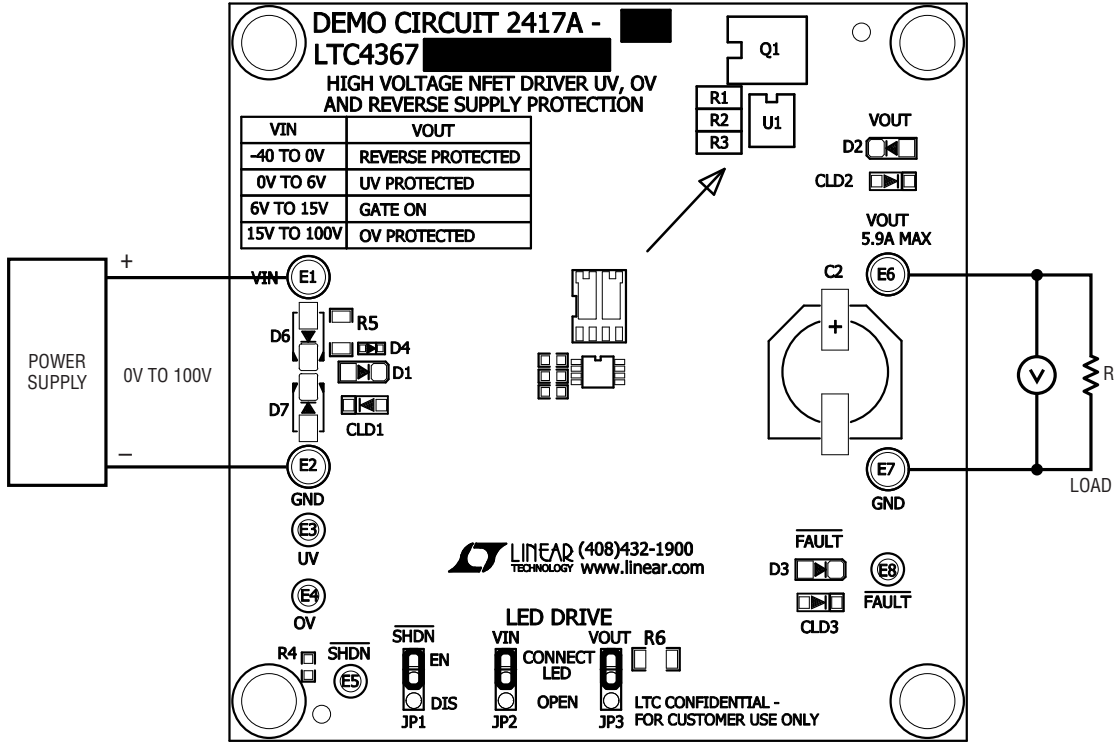
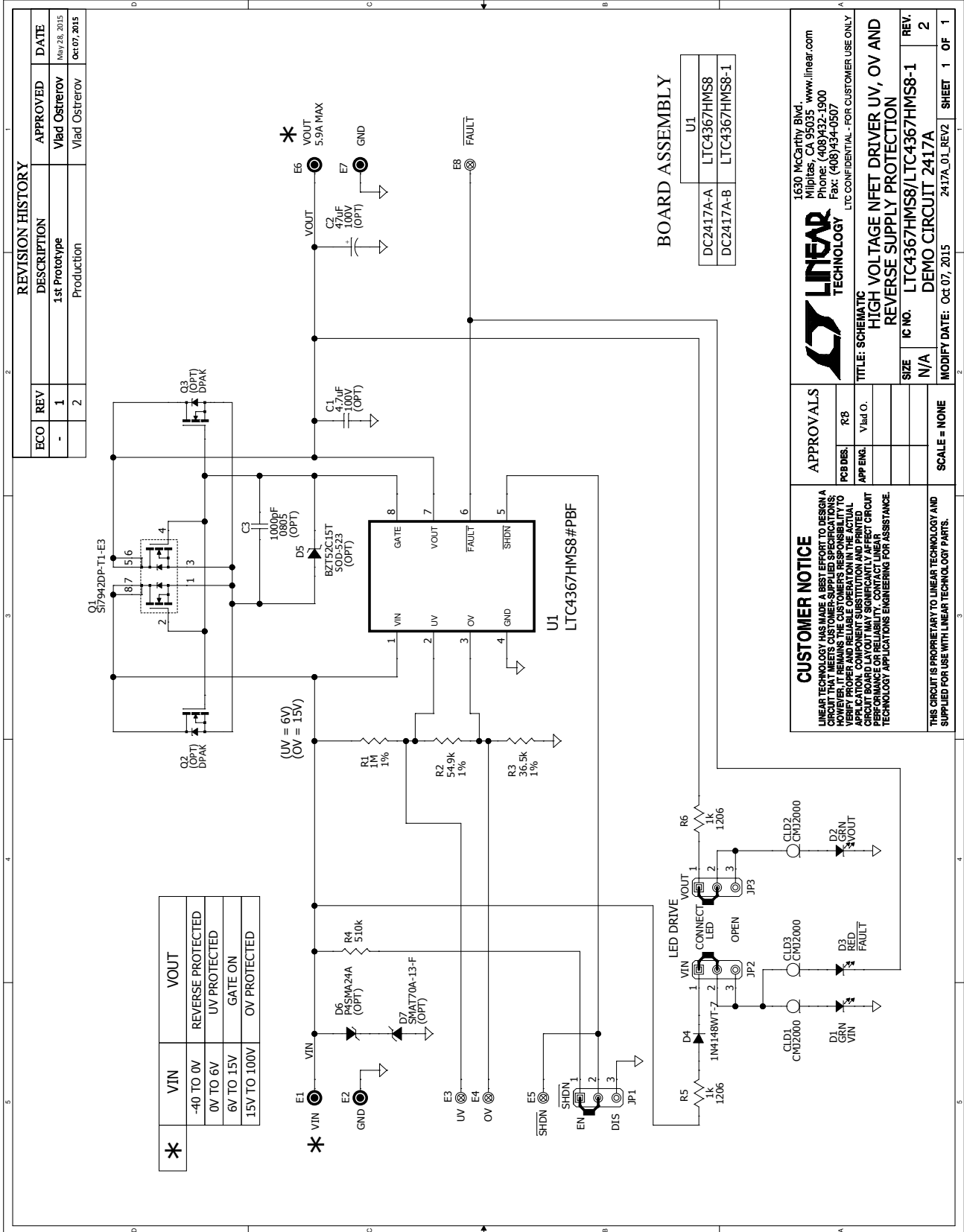


Figure 1b. Undervoltage/Overvoltage Test

SCHEMATIC DIAGRAM



REVISION HISTORY				
ECO	REV	DESCRIPTION	APPROVED	DATE
-	1	1st Prototype	Vlad Ostrerov	May 28, 2015
	2	Production	Vlad Ostrerov	Oct 07, 2015

BOARD ASSEMBLY

DC2417A-A	LTC4367HMS8	U1
DC2417A-B	LTC4367HMS8-1	

CUSTOMER NOTICE
 LINEAR TECHNOLOGY HAS MADE A BEST EFFORT TO DESIGN A BOARD LAYOUT THAT MEETS CUSTOMER REQUIREMENTS. HOWEVER, CUSTOMERS SHOULD VERIFY PROPER AND RELIABLE OPERATION IN THE ACTUAL APPLICATION. COMPONENT SUBSTITUTION AND PRINTED CIRCUIT BOARD LAYOUT MAY SIGNIFICANTLY AFFECT CIRCUIT PERFORMANCE. CUSTOMERS SHOULD CONTACT LINEAR TECHNOLOGY APPLICATIONS ENGINEERING FOR ASSISTANCE.

APPROVALS

FCB DES.	RB
APP ENG.	Vlad O.

LINEAR TECHNOLOGY
 1630 McCarthy Blvd.
 Milpitas, CA 95035 www.linear.com
 Phone: (408)432-1900
 Fax: (408)434-0507
 LTC CONFIDENTIAL - FOR CUSTOMER USE ONLY

TITLE: SCHEMATIC
HIGH VOLTAGE NFEET DRIVER UV, OV AND REVERSE SUPPLY PROTECTION

SIZE	N/A	REV.	2
IC NO.	LTC4367HMS8/LTC4367HMS8-1	MODIFY DATE:	2417A_01_REV2
DEMO CIRCUIT	2417A	SHEET	1 OF 1

SCALE = NONE



Information furnished by Linear Technology Corporation is believed to be accurate and reliable. However, no responsibility is assumed for its use. Linear Technology Corporation makes no representation that the interconnection of its circuits as described herein will not infringe on existing patent rights.

DEMO MANUAL DC2417A

DEMONSTRATION BOARD IMPORTANT NOTICE

Linear Technology Corporation (LTC) provides the enclosed product(s) under the following **AS IS** conditions:

This demonstration board (DEMO BOARD) kit being sold or provided by Linear Technology is intended for use for **ENGINEERING DEVELOPMENT OR EVALUATION PURPOSES ONLY** and is not provided by LTC for commercial use. As such, the DEMO BOARD herein may not be complete in terms of required design-, marketing-, and/or manufacturing-related protective considerations, including but not limited to product safety measures typically found in finished commercial goods. As a prototype, this product does not fall within the scope of the European Union directive on electromagnetic compatibility and therefore may or may not meet the technical requirements of the directive, or other regulations.

If this evaluation kit does not meet the specifications recited in the DEMO BOARD manual the kit may be returned within 30 days from the date of delivery for a full refund. **THE FOREGOING WARRANTY IS THE EXCLUSIVE WARRANTY MADE BY THE SELLER TO BUYER AND IS IN LIEU OF ALL OTHER WARRANTIES, EXPRESSED, IMPLIED, OR STATUTORY, INCLUDING ANY WARRANTY OF MERCHANTABILITY OR FITNESS FOR ANY PARTICULAR PURPOSE. EXCEPT TO THE EXTENT OF THIS INDEMNITY, NEITHER PARTY SHALL BE LIABLE TO THE OTHER FOR ANY INDIRECT, SPECIAL, INCIDENTAL, OR CONSEQUENTIAL DAMAGES.**

The user assumes all responsibility and liability for proper and safe handling of the goods. Further, the user releases LTC from all claims arising from the handling or use of the goods. Due to the open construction of the product, it is the user's responsibility to take any and all appropriate precautions with regard to electrostatic discharge. Also be aware that the products herein may not be regulatory compliant or agency certified (FCC, UL, CE, etc.).

No License is granted under any patent right or other intellectual property whatsoever. **LTC assumes no liability for applications assistance, customer product design, software performance, or infringement of patents or any other intellectual property rights of any kind.**

LTC currently services a variety of customers for products around the world, and therefore this transaction **is not exclusive**.

Please read the DEMO BOARD manual prior to handling the product. Persons handling this product must have electronics training and observe good laboratory practice standards. **Common sense is encouraged.**

This notice contains important safety information about temperatures and voltages. For further safety concerns, please contact a LTC application engineer.

Mailing Address:

Linear Technology
1630 McCarthy Blvd.
Milpitas, CA 95035

Copyright © 2004, Linear Technology Corporation

Компания «Океан Электроники» предлагает заключение долгосрочных отношений при поставках импортных электронных компонентов на взаимовыгодных условиях!

Наши преимущества:

- Поставка оригинальных импортных электронных компонентов напрямую с производств Америки, Европы и Азии, а так же с крупнейших складов мира;
- Широкая линейка поставок активных и пассивных импортных электронных компонентов (более 30 млн. наименований);
- Поставка сложных, дефицитных, либо снятых с производства позиций;
- Оперативные сроки поставки под заказ (от 5 рабочих дней);
- Экспресс доставка в любую точку России;
- Помощь Конструкторского Отдела и консультации квалифицированных инженеров;
- Техническая поддержка проекта, помощь в подборе аналогов, поставка прототипов;
- Поставка электронных компонентов под контролем ВП;
- Система менеджмента качества сертифицирована по Международному стандарту ISO 9001;
- При необходимости вся продукция военного и аэрокосмического назначения проходит испытания и сертификацию в лаборатории (по согласованию с заказчиком);
- Поставка специализированных компонентов военного и аэрокосмического уровня качества (Xilinx, Altera, Analog Devices, Intersil, Interpoint, Microsemi, Actel, Aeroflex, Peregrine, VPT, Syfer, Eurofarad, Texas Instruments, MS Kennedy, Miteq, Cobham, E2V, MA-COM, Hittite, Mini-Circuits, General Dynamics и др.);

Компания «Океан Электроники» является официальным дистрибьютором и эксклюзивным представителем в России одного из крупнейших производителей разъемов военного и аэрокосмического назначения «JONHON», а так же официальным дистрибьютором и эксклюзивным представителем в России производителя высокотехнологичных и надежных решений для передачи СВЧ сигналов «FORSTAR».



JONHON

«JONHON» (основан в 1970 г.)

Разъемы специального, военного и аэрокосмического назначения:

(Применяются в военной, авиационной, аэрокосмической, морской, железнодорожной, горно- и нефтедобывающей отраслях промышленности)

«FORSTAR» (основан в 1998 г.)

ВЧ соединители, коаксиальные кабели, кабельные сборки и микроволновые компоненты:

(Применяются в телекоммуникациях гражданского и специального назначения, в средствах связи, РЛС, а так же военной, авиационной и аэрокосмической отраслях промышленности).



Телефон: 8 (812) 309-75-97 (многоканальный)

Факс: 8 (812) 320-03-32

Электронная почта: ocean@oceanchips.ru

Web: <http://oceanchips.ru/>

Адрес: 198099, г. Санкт-Петербург, ул. Калинина, д. 2, корп. 4, лит. А