

Coaxial Cable Termination

RF one-step BNC/TNC connectors



Applications

RF one-step BNC/TNC connectors are single-piece assemblies for terminating the center conductor and the braid of a broad range of coaxial cables.

The connectors are fully intermateable with MIL-C-39012 connectors and are available in 50-ohm and 75-ohm versions.

Features and benefits

- Easy, quick installation.
- Outstanding cable-retention force.
- Solder-solder connection type (center conductor and braid).
- One-step termination for easy, quick installation and lower installed cost.
- Exceptional cable retention force to withstand high vibration and frequent mates and demates.
- Fully soldered center conductor and braid.
- Excellent built-in strain relief against vibration and excessive handling.
- Long-term reliability.
- Controlled soldering termination.
- Use with standard RG/U cables and Raychem Cheminax cables.
- Three product sizes to accommodate a wide range of cables.
- Meets performance requirements of MIL-C-39012 up to 2.8 GHz.

| Available in: | Americas | Europe | Asia Pacific |
|---------------|----------|--------|--------------|
| | ■ | ■ | ■ |

| Specifications | Installation |
|-------------------|---|
| Raychem RB-115 | For proper installation of these devices, the correct heating tool and reflector attachment must be used. Any one of the following Raychem heating tools is recommended: · Steinel Model HL1802E · CV-1981 |
| | Refer to Raychem installation procedure RPIP 683-00 for detailed instructions. |

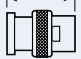
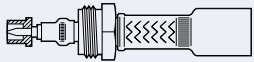
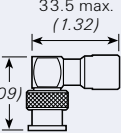
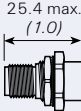
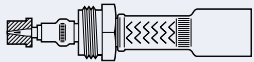

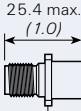
Fax-on-demand

US only (800) 260-9099

Outside US (650) 257-2301

Visit our website at www.tycoelectronics.com

Product options and part numbering system (mm/in)

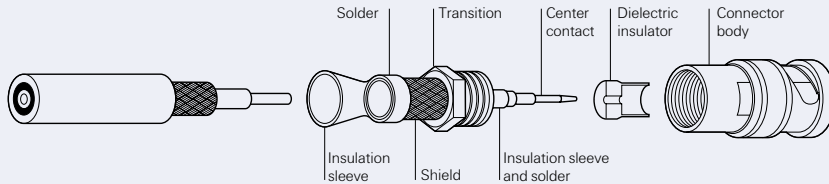
| Connector style | | Dash No. Style | | Connector type | | |
|-----------------|-----|---|---------------------|---|---------------------|---|
| RXX-XX-X-XX | -XX | | | TNC | BNC | |
| | -00 | Straight plug | 24.5 max. (.965) |  | 24.5 max. (.965) |  |
| | -01 | Right angle plug | 33.5 max. (1.32) |  | 31.5 max. (1.23) | |
| | -02 | Straight bulkhead jack | 25.4 max. (1.0) |  | 25.4 max. (1.0) |  |
| | -03 | Straight jack | 25.4 max. (1.0) |  | 25.4 max. (1.0) | |
| | -04 | Straight panel jack | 25.4 max. (1.0) |  | 25.4 max. (1.0) | |
| | | | | 4 x M2.5 x 0.45 | 4 x M2.5 x 0.45 | |
| | | Connector size | | | | |
| | | L = Large | | | | |
| | | M = Medium | | | | |
| | | S = Small | | | | |
| | | 50 = 50 ohms | | | | |
| | | 75 = 75 ohms | | | | |
| | | D = Nickel-plated brass body, gold-plated brass pin | | | | |
| | | B = BNC | | | | |
| | | T = TNC | | | | |

Example: RBD-50L-00 is a BNC connector, 50 ohms, large size, with straight plug body.

Coaxial Cable Termination

RF one-step BNC/TNC connectors (cont'd.)

Product characteristics



Material

| | |
|------------------------------|--|
| Center contact | Gold-plated beryllium copper (female) Gold-plated brass (male) |
| Dielectric insulator | PTFE |
| Transition | Silver-plated brass |
| Connector body | Nickel-plated brass |
| Solder and flux | Sn63Pb37, RMA flux |
| Braided shield | Tin-plated copper wire per ASTM B3 |
| Insulation sleeve | Radiation-crosslinked, heat-shrinkable polyvinylidene fluoride, transparent blue |
| Strain relief/sealing sleeve | Radiation-crosslinked, heat-shrinkable modified polyolefin with adhesive, black |

Typical performance

| | |
|--------------------------------|--|
| Dielectric withstand voltage | 1500 V |
| Insulation resistance | 5000 megohms |
| Temperature rating | -55C to 150C |
| Contact resistance-straight | Inner = 1.5 milliohms, outer = 1.0 milliohm |
| Contact resistance-right angle | Inner = 2.5 milliohms, outer = 1.5 milliohms |
| Cable retention force | 295N (66 lb) to 822N (196 lb) |
| Voltage rating | 500 V RMS |
| Connector durability | 500 mating cycles minimum |

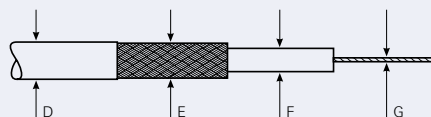
Electrical performance

| | |
|-------------------|----------------|
| Nominal impedance | 50 and 75 ohms |
| Frequency range | Up to 2.8 GHz |

Part selection process

1. From Product Options and Dimensions on page 8-6 1, select the connector style you need (BNC or TNC, plug or jack, male or female contacts).
2. From the tables that follow, find the appropriate table for the connector style you selected.
3. From the appropriate table, select the connector part number based on the RG cable type or Raychem cable part number.
For cable types not shown use the cable dimensions.

Note: The cable dimensions in each table are keyed to the diagram below.



Fax-on-demand

US only (800) 260-9099

Outside US (650) 257-2301

Visit our website at www.tycoelectronics.com**Part number selection - BNC coaxial connectors**

| Cable type | | | Cable dimensions in millimeters (inches) | | | | Part Number |
|---|---|------------------------------------|--|------------------------|----------------|----------------|-------------|
| Impedance (ohms) | RG cables | Raychem cables | D (min.-max.) | E (min.-max.) | F (max.) | G (max.) | |
| BNC straight plugs, male contacts | | | | | | | |
| 50 | RG-174, RG-178, RG-188, RG-196, RG-316 | 5026A1311, 5028A1317, 5030A1317 | 1.5-5.5 (.060-.217) | 0.9-3.0 (.035-.118) | 1.55 (.060) | 0.65 (.025) | RBD-50-S-00 |
| 50 | RG-58, RG-141, RG-142, RG-303, RG-400 | 5019D3318, 5021D1331, 5020A1311 | 3.5-7.0 (.138-.276) | 2.1-5.0 (.083-.197) | 3.0 (.118) | 1.25 (.050) | RBD-50-M-00 |
| 50 | RG-165, RG-215, RG-213, RG-225, RG-214 | 5012F3332, 5012A3311 | 5.0-12.5 (.197-.500) | 4.1-9.5 (.161-.375) | 7.3 (.287) | 2.45 (.100) | RBD-50-L-00 |
| 75 | RG-179, RG-187 | 7530A1317 | 1.5-5.5 (.060-.217) | 0.9-3.0 (.035-.118) | 1.55 (.060) | 0.65 (.025) | RBD-75-S-00 |
| 75 | | 7524A1311, 7528A1317 | 3.5-7.0 (.138-.276) | 2.1-5.0 (.083-.197) | 3.7 (.126) | 1.25 (.050) | RBD-75-M-00 |
| 75 | RG-6, RG-11, RG-12, RG-59 RG-144, RG-216 | | 5.0-12.5 (.197-.500) | 4.1-9.5 (.161-.375) | 7.3 (.287) | 2.45 (.100) | RBD-75-L-00 |
| BNC right-angle plugs, male contacts | | | | | | | |
| 50 | RG-174, RG-178, RG-188, RG-196, RG-316 | 5026A1311, 5028A1317, 5030A1317 | 1.5-5.5 (.060-.217) | 0.9-3.0 (.035-.118) | 1.55 (.060) | 0.65 (.025) | RBD-50-S-01 |
| 50 | RG-58, RG-141, RG-142, RG-303, RG-400 | 5019D3318, 5021D1331, 5020A1311 | 3.5-7.0 (.138-.276) | 2.1-5.0 (.083-.197) | 3.0 (.118) | 1.25 (.050) | RBD-50-M-01 |
| 50 | RG-165, RG-215, RG-213, RG-225, RG-214 | 5012F3332, 5012A3311 | 5.0-12.5 (.197-.500) | 4.1-9.5 (.161-.375) | 7.3 (.287) | 2.45 (.100) | RBD-50-L-01 |
| 75 | RG-179, RG-187 | 7530A1317 | 1.5-5.5 (.060-.217) | 0.9-3.0 (.035-.118) | 1.55 (.060) | 0.65 (.025) | RBD-75-S-01 |
| 75 | | 524A1311, 7528A1317 | 3.5-7.0 (.138-.276) | 2.1-5.0 (.083-.197) | 3.7 (.146) | 1.25 (.050) | RBD-75-M-01 |
| 75 | RG-6, RG-11, RG-12, RG-59 RG-144, RG-216 | | 5.0-12.5 (.197-.500) | 4.1-9.5 (.161-.375) | 7.3 (.287) | 2.45 (.100) | RBD-75-L-01 |

Coaxial Cable Termination

RF one-step BNC/TNC connectors (cont'd.)

Part number selection - BNC coaxial connectors

| Cable type | | | Cable dimensions in millimeters (inches) | | | | Part Number |
|---|---|---------------------------------|--|--------------------------|----------------|----------------|-------------|
| Impedance (ohms) | RG cables | Raychem cables | D (min.-max.) | E (min.-max.) | F (max.) | G (max.) | |
| BNC straight bulkhead jacks, female contacts | | | | | | | |
| 50 | RG-174, RG-178, RG-188, RG-196, RG-316 | 5026A1311, 5028A1317, 5030A1317 | 1.5-5.5 (.060-.217) | 0.9-3.0 (.035-.118) | 1.55 (.060) | 0.65 (.025) | RBD-50-S-02 |
| 50 | RG-58, RG-141, RG-142, RG-303, RG-400 | 5019D3318, 5021D1331, 5020A1311 | 3.5-7.0 (.138-.276) | 2.1-5.0 (.083-.197) | 3.0 (.118) | 1.25 (.050) | RBD-50-M-02 |
| 50 | RG-165, RG-215, RG-213, RG-225, RG-214 | 5012F3332, 5012A3311 | 5.0-12.5 (.197-.500) | 4.1-9.5 (.161-.375) | 7.3 (.287) | 2.45 (.100) | RBD-50-L-02 |
| 75 | RG-179, RG-187 | 7530A1317 | 1.5-5. (.060-.217) | 5 0.9-3.0 (.035-.118) | 1.55 (.060) | 0.65 (.025) | RBD-75-S-02 |
| 75 | | 75 7524A1311, 7528A1317 | 3.5-7.0 (.138-.276) | 2.1-5.0 (.083-.197) | 3.7 (.146) | 1.25 (.050) | RBD-75-M-02 |
| 75 | RG-6, RG-11, RG-12, RG-59 RG-144, RG-216 | | 5.0-12.5 (.197-.500) | 4.1-9.5 (.161-.375) | 7.3 (.287) | 2.45 (.100) | RBD-75-L-02 |
| BNC straight jacks, female contacts | | | | | | | |
| 50 | RG-174, RG-178, RG-188, RG-196, RG-316 | 5026A1311, 5028A1317, 5030A1317 | 1.5-5.5 (.060-.217) | 0.9-3.0 (.035-.118) | 1.55 (.060) | 0.65 (.025) | RBD-50-S-03 |
| 50 | RG-58, RG-141, RG-142, RG-303, RG-400 | 5019D3318, 5021D1331, 5020A1311 | 3.5-7.0 (.138-.276) | 2.1-5.0 (.083-.197) | 3.0 (.118) | 1.25 (.050) | RBD-50-M-03 |
| 50 | RG-165, RG-215, RG-213, RG-225, RG-214 | 5012F3332, 5012A3311 | 5.0-12.5 (.197-.500) | 4.1-9.5 (.161-.375) | 7.3 (.287) | 2.45 (.100) | RBD-50-L-03 |
| 75 | RG-179, RG-187 | 7530A1317 | 1.5-5.5 (.060-.217) | 0.9-3.0 (.035-.118) | 1.55 (.060) | 0.65 (.025) | RBD-75-S-03 |
| 75 | | 75 7524A1311, 7528A1317 | 3.5-7.0 (.138-.276) | 2.1-5.0 (.083-.197) | 3.7 (.146) | 1.25 (.050) | RBD-75-M-03 |
| 75 | RG-6, RG-11, RG-12, RG-59 RG-144, RG-216 | | 5.0-12.5 (.197-.500) | 4.1-9.5 (.161-.375) | 7.3 (.287) | 2.45 (.100) | RBD-75-L-03 |

Fax-on-demand

US only (800) 260-9099

Outside US (650) 257-2301

Visit our website at www.tycoelectronics.com**Part number selection - BNC coaxial connectors (continued)**

| Cable type | | Cable dimensions in millimeters (inches) | | | | Part Number | |
|---|---|--|-------------------------|------------------------|----------------|----------------|-------------|
| Impedance (ohms) | RG cables | Raychem cables | D (min.-max.) | E (min.-max.) | F (max.) | | G (max.) |
| BNC straight panel jacks, female contacts | | | | | | | |
| 50 | RG-174, RG-178, RG-188, RG-196, RG-316 | 5026A1311, 5028A1317, 5030A1317 | 1.5-5.5 (.060-.217) | 0.9-3.0 (.035-.118) | 1.55 (.060) | 0.65 (.025) | RBD-50-S-04 |
| 50 | RG-58, RG-141, RG-142, RG-303, RG-400 | 5019D3318, 5021D1331, 5020A1311 | 3.5-7.0 (.138-.276) | 2.1-5.0 (.083-.197) | 3.0 (.118) | 1.25 (.050) | RBD-50-M-04 |
| 50 | RG-165, RG-215, RG-213, RG-225, RG-214 | 5012F3332, 5012A3311 | 5.0-12.5 (.197-.500) | 4.1-9.5 (.161-.375) | 7.3 (.287) | 2.45 (.100) | RBD-50-L-04 |
| 75 | RG-179, RG-187 | 7530A1317 | 1.5-5.5 (.060-.217) | 0.9-3.0 (.035-.118) | 1.55 (.060) | 0.65 (.025) | RBD-75-S-04 |
| 75 | | 7524A1311, 7528A1317 | 3.5-7.0 (.138-.276) | 2.1-5.0 (.083-.197) | 3.7 (.146) | 1.25 (.050) | RBD-75-M-04 |
| 75 | RG-6, RG-11, RG-12, RG-59 RG-144, RG-216 | | 5.0-12.5 (.197-.500) | 4.1-9.5 (.161-.375) | 7.3 (.287) | 2.45 (.100) | RBD-75-L-04 |

Part number selection - TNC coaxial connectors

| Cable type | | Cable dimensions in millimeters (inches) | | | | Part Number | |
|-----------------------------------|---|--|-------------------------|------------------------|----------------|----------------|-------------|
| Impedance (ohms) | RG cables | Raychem cables | D (min.-max.) | E (min.-max.) | F (max.) | | G (max.) |
| TNC straight plugs, male contacts | | | | | | | |
| 50 | RG-174, RG-178, RG-188, RG-196, RG-316 | 5026A1311, 5028A1317, 5030A1317 | 1.5-5.5 (.060-.217) | 0.9-3.0 (.035-.118) | 1.55 (.060) | 0.65 (.025) | RTD-50-S-00 |
| 50 | RG-58, RG-141, RG-142, RG-303, RG-400 | 5019D3318, 5021D1331, 5020A1311 | 3.5-7.0 (.138-.276) | 2.1-5.0 (.083-.197) | 3.0 (.118) | 1.25 (.050) | RTD-50-M-00 |
| 50 | RG-165, RG-215, RG-213, RG-225, RG-214 | 5012F3332, 5012A3311 | 5.0-12.5 (.197-.500) | 4.1-9.5 (.161-.375) | 7.3 (.287) | 2.45 (.100) | RTD-50-L-00 |
| 75 | RG-179, RG-187 | 7530A1317 | 1.5-5.5 (.060-.217) | 0.9-3.0 (.035-.118) | 1.55 (.060) | 0.65 (.025) | RTD-75-S-00 |
| 75 | | 7524A1311, 7528A1317 | 3.5-7.0 (.138-.276) | 2.1-5.0 (.083-.197) | 3.7 (.146) | 1.25 (.050) | RTD-75-M-00 |
| 75 | RG-6, RG-11, RG-12, RG-59 RG-144, RG-216 | | 5.0-12.5 (.197-.500) | 4.1-9.5 (.161-.375) | 7.3 (.287) | 2.45 (.100) | RTD-75-L-00 |

Users should independently evaluate the suitability of the product for their application.
Before ordering check with factory for most current data.

Coaxial Cable Termination

RF one-step BNC/TNC connectors (cont'd.)

Part number selection - TNC coaxial connectors (continued)

| Cable type | | | Cable dimensions in millimeters (inches) | | | | Part Number |
|---|---|------------------------------------|--|------------------------|----------------|----------------|-------------|
| Impedance (ohms) | | Raychem cables | D (min.-max.) | E (min.-max.) | F (max.) | G (max.) | |
| TNC right-angle plugs, male contacts | | | | | | | |
| 50 | RG-174, RG-178, RG-188, RG-196, RG-316 | 5026A1311, 5028A1317, 5030A1317 | 1.5-5.5 (.060-.217) | 0.9-3.0 (.035-.118) | 1.55 (.060) | 0.65 (.025) | RTD-50-S-01 |
| 50 | RG-58, RG-141, RG-142, RG-303, RG-400 | 5019D3318, 5021D1331, 5020A1311 | 3.5-7.0 (.138-.276) | 2.1-5.0 (.083-.197) | 3.0 (.118) | 1.25 (.050) | RTD-50-M-01 |
| 50 | RG-165, RG-215, RG-213, RG-225, RG-214 | 5012F3332, 5012A3311 | 5.0-12.5 (.197-.500) | 4.1-9.5 (.161-.375) | 7.3 (.287) | 2.45 (.100) | RTD-50-L-01 |
| 75 | RG-179, RG-187 | 7530A1317 | 1.5-5.5 (.060-.217) | 0.9-3.0 (.035-.118) | 1.55 (.060) | 0.65 (.025) | RTD-75-S-01 |
| 75 | | 7524A1311, 7528A1317 | 3.5-7.0 (.138-.276) | 2.1-5.0 (.083-.197) | 3.7 (.146) | 1.25 (.050) | RTD-75-M-01 |
| 75 | RG-6, RG-11, RG-12, RG-59 RG-144, RG-216 | | 5.0-12.5 (.197-.500) | 4.1-9.5 (.161-.375) | 7.3 (.287) | 2.45 (.100) | RTD-75-L-01 |
| TNC straight bulkhead jacks, female contacts | | | | | | | |
| 50 | RG-174, RG-178, RG-188, RG-196, RG-316 | 5026A1311, 5028A1317, 5030A1317 | 1.5-5.5 (.060-.217) | 0.9-3.0 (.035-.118) | 1.55 (.060) | 0.65 (.025) | RTD-50-S-02 |
| 50 | RG-58, RG-141, RG-142, RG-303, RG-400 | 5019D3318, 5021D1331, 5020A1311 | 3.5-7.0 (.138-.276) | 2.1-5.0 (.083-.197) | 3.0 (.118) | 1.25 (.050) | RTD-50-M-02 |
| 50 | RG-165, RG-215, RG-213, RG-225, RG-214 | 5012F3332, 5012A3311 | 5.0-12.5 (.197-.500) | 4.1-9.5 (.161-.375) | 7.3 (.287) | 2.45 (.100) | RTD-50-L-02 |
| 75 | RG-179, RG-187 | 7530A1317 | 1.5-5.5 (.060-.217) | 0.9-3.0 (.035-.118) | 1.55 (.060) | 0.65 (.025) | RTD-75-S-02 |
| 75 | | 7524A1311, 7528A1317 | 3.5-7.0 (.138-.276) | 2.1-5.0 (.083-.197) | 3.7 (.146) | 1.25 (.050) | RTD-75-M-02 |
| 75 | RG-6, RG-11, RG-12, RG-59 RG-144, RG-216 | | 5.0-12.5 (.197-.500) | 4.1-9.5 (.161-.375) | 7.3 (.287) | 2.45 (.100) | RTD-75-L-02 |

Fax-on-demand

US only (800) 260-9099

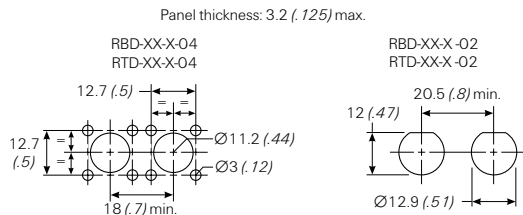
Outside US (650) 257-2301

Visit our website at www.tycoelectronics.com

Part number selection - TNC coaxial connectors

| Cable type | | | Cable dimensions in millimeters (inches) | | | | Part Number |
|--|---|---------------------------------|--|------------------------|----------------|----------------|-------------|
| Impedance (ohms) | RG cables | Raychem cables | D (min.-max.) | E (min.-max.) | F (max.) | G (max.) | |
| TNC straight jacks, Female contacts | | | | | | | |
| 50 | RG-174, RG-178, RG-188, RG-196, RG-316 | 5026A1311, 5028A1317, 5030A1317 | 1.5-5.5 (.060-.217) | 0.9-3.0 (.035-.118) | 1.55 (.060) | 0.65 (.025) | RTD-50-S-03 |
| 50 | RG-58, RG-141, RG-142, RG-303, RG-400 | 5019D3318, 5021D1331, 5020A1311 | 3.5-7.0 (.138-.276) | 2.1-5.0 (.083-.197) | 3.0 (.118) | 1.25 (.050) | RTD-50-M-03 |
| 50 | RG-165, RG-215, RG-213, RG-225, RG-214 | 5012F3332, 5012A3311 | 5.0-12.5 (.197-.500) | 4.1-9.5 (.161-.375) | 7.3 (.287) | 2.45 (.100) | RTD-50-L-03 |
| 75 | RG-179, RG-187 | 7530A1317 | 1.5-5.5 (.060-.217) | 0.9-3.0 (.035-.118) | 1.55 (.060) | 0.65 (.025) | RTD-75-S-03 |
| 75 | | 7524A1311, 7528A1317 | 3.5-7.0 (.138-.276) | 2.1-5.0 (.083-.197) | 3.7 (.146) | 1.25 (.050) | RTD-75-M-03 |
| 75 | RG-6, RG-11, RG-12, RG-59, RG-144, RG-216 | | 5.0-12.5 (.197-.500) | 4.1-9.5 (.161-.375) | 7.3 (.287) | 2.45 (.100) | RTD-75-L-03 |
| TNC straight panel jacks, female contacts | | | | | | | |
| 50 | RG-174, RG-178, RG-188, RG-196, RG-316 | 5026A1311, 5028A1317, 5030A1317 | 1.5-5.5 (.060-.217) | 0.9-3.0 (.035-.118) | 1.55 (.060) | 0.65 (.025) | RTD-50-S-04 |
| 50 | RG-58, RG-141, RG-142, RG-303, RG-400 | 5019D3318, 5021D1331, 5020A1311 | 3.5-7.0 (.138-.276) | 2.1-5.0 (.083-.197) | 3.0 (.118) | 1.25 (.050) | RTD-50-M-04 |
| 50 | RG-165, RG-215, RG-213, RG-225, RG-214 | 5012F3332, 5012A3311 | 5.0-12.5 (.197-.500) | 4.1-9.5 (.161-.375) | 7.3 (.287) | 2.45 (.100) | RTD-50-L-04 |
| 75 | RG-179, RG-187 | 7530A1317 | 1.5-5.5 (.060-.217) | 0.9-3.0 (.035-.118) | 1.55 (.060) | 0.65 (.025) | RTD-75-S-04 |
| 75 | | 7524A1311, 7528A1317 | 3.5-7.0 (.138-.276) | 2.1-5.0 (.083-.197) | 3.7 (.146) | 1.25 (.050) | RTD-75-M-04 |
| 75 | RG-6, RG-11, RG-12, RG-59, RG-144, RG-216 | | 5.0-12.5 (.197-.500) | 4.1-9.5 (.161-.375) | 7.3 (.287) | 2.45 (.100) | RTD-75-L-04 |

Hole pattern for panel-mounted products (mm/in)



Users should independently evaluate the suitability of the product for their application.
Before ordering check with factory for most current data.

Компания «Океан Электроники» предлагает заключение долгосрочных отношений при поставках импортных электронных компонентов на взаимовыгодных условиях!

Наши преимущества:

- Поставка оригинальных импортных электронных компонентов напрямую с производств Америки, Европы и Азии, а так же с крупнейших складов мира;
- Широкая линейка поставок активных и пассивных импортных электронных компонентов (более 30 млн. наименований);
- Поставка сложных, дефицитных, либо снятых с производства позиций;
- Оперативные сроки поставки под заказ (от 5 рабочих дней);
- Экспресс доставка в любую точку России;
- Помощь Конструкторского Отдела и консультации квалифицированных инженеров;
- Техническая поддержка проекта, помощь в подборе аналогов, поставка прототипов;
- Поставка электронных компонентов под контролем ВП;
- Система менеджмента качества сертифицирована по Международному стандарту ISO 9001;
- При необходимости вся продукция военного и аэрокосмического назначения проходит испытания и сертификацию в лаборатории (по согласованию с заказчиком);
- Поставка специализированных компонентов военного и аэрокосмического уровня качества (Xilinx, Altera, Analog Devices, Intersil, Interpoint, Microsemi, Actel, Aeroflex, Peregrine, VPT, Syfer, Eurofarad, Texas Instruments, MS Kennedy, Miteq, Cobham, E2V, MA-COM, Hittite, Mini-Circuits, General Dynamics и др.);

Компания «Океан Электроники» является официальным дистрибьютором и эксклюзивным представителем в России одного из крупнейших производителей разъемов военного и аэрокосмического назначения «JONHON», а так же официальным дистрибьютором и эксклюзивным представителем в России производителя высокотехнологичных и надежных решений для передачи СВЧ сигналов «FORSTAR».



JONHON

«JONHON» (основан в 1970 г.)

Разъемы специального, военного и аэрокосмического назначения:

(Применяются в военной, авиационной, аэрокосмической, морской, железнодорожной, горно- и нефтедобывающей отраслях промышленности)

«FORSTAR» (основан в 1998 г.)

ВЧ соединители, коаксиальные кабели, кабельные сборки и микроволновые компоненты:

(Применяются в телекоммуникациях гражданского и специального назначения, в средствах связи, РЛС, а так же военной, авиационной и аэрокосмической отраслях промышленности).



Телефон: 8 (812) 309-75-97 (многоканальный)

Факс: 8 (812) 320-03-32

Электронная почта: ocean@oceanchips.ru

Web: <http://oceanchips.ru/>

Адрес: 198099, г. Санкт-Петербург, ул. Калинина, д. 2, корп. 4, лит. А