



**Please note that Cypress is an Infineon Technologies Company.**

The document following this cover page is marked as “Cypress” document as this is the company that originally developed the product. Please note that Infineon will continue to offer the product to new and existing customers as part of the Infineon product portfolio.

**Continuity of document content**

The fact that Infineon offers the following product as part of the Infineon product portfolio does not lead to any changes to this document. Future revisions will occur when appropriate, and any changes will be set out on the document history page.

**Continuity of ordering part numbers**

Infineon continues to support existing part numbers. Please continue to use the ordering part numbers listed in the datasheet for ordering.



**CY39C603**

## Phase Dimmable PSR LED Driver IC for LED Lighting

### Description

CY39C603 is a Primary Side Regulation (PSR) LED driver IC for LED lighting. Using the information of the primary peak current and the transformer-energy-zero time, it is able to deliver a well regulated current to the secondary side without using an opto-coupler in an isolated flyback topology. Operating in critical conduction mode, a smaller transformer is required. In addition, CY39C603 has a built-in phase dimmable circuit and can constitute flicker less lighting systems for phase dimming with low-component count. It is most suitable for the general lighting applications, for example replacement of commercial and residential incandescent lamps.

### Features

- PSR topology in an isolated flyback circuit
- High power factor (>0.9 : without dimmer) in Single Conversion
- High efficiency (>80 % : without dimmer) and low EMI by detecting transformer zero energy
- Built-in phase dimmable circuit
  - Dimming curve based on conduction angle
  - Dimmer hold current control
- Highly reliable protection functions
  - Under voltage lock out (UVLO)
  - Over voltage protection (OVP)
  - Over current protection (OCP)
  - Over temperature protection (OTP)
- Switching frequency setting : 30 kHz to 133 kHz
- Input voltage range VDD : 9 V to 20 V
- Input voltage for LED lighting applications : AC110V<sub>RMS</sub>
- Output power range for LED lighting applications : 15 W to 50 W
- Package : SOP-14 (5.30 mm × 10.15 mm × 2.25 mm [Max])

### Applications

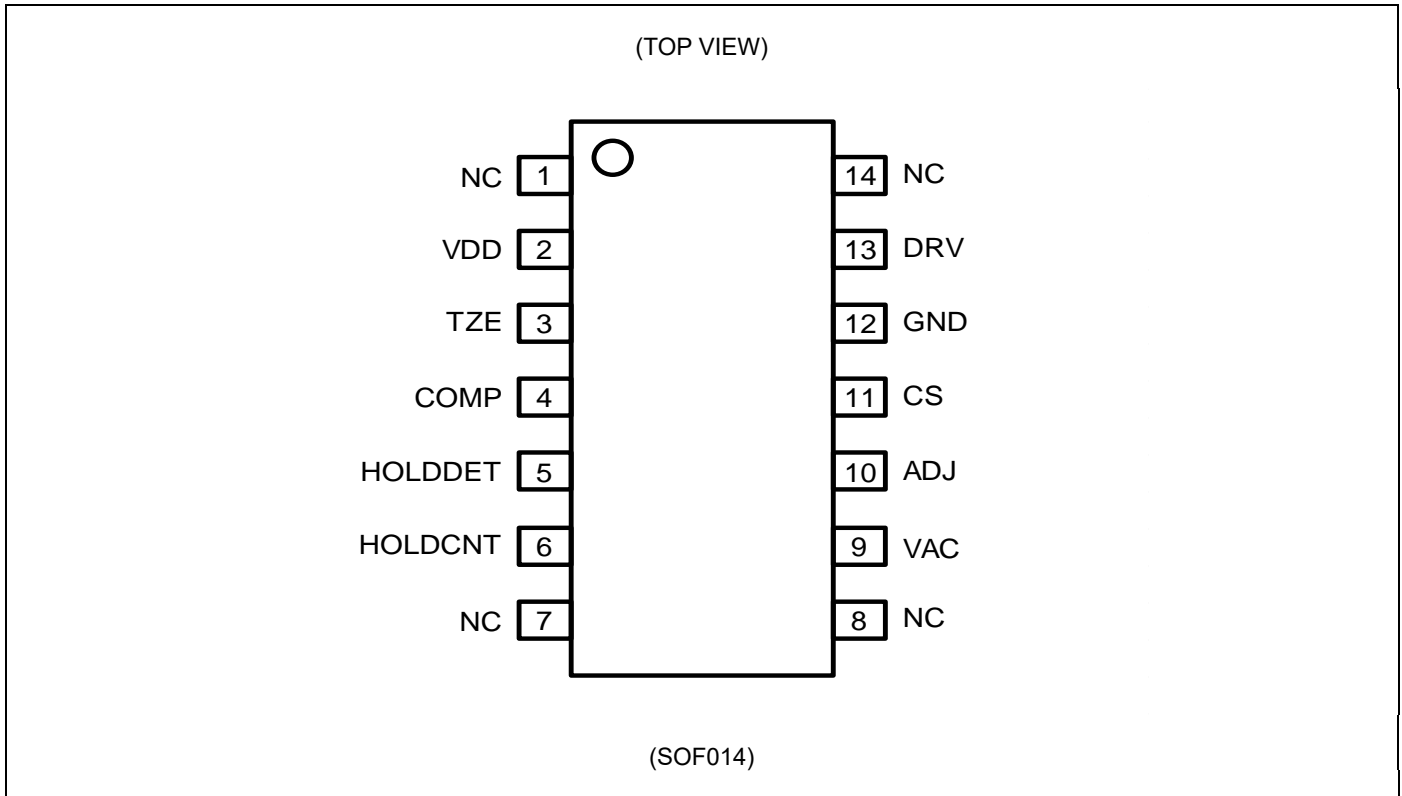
- Phase dimmable (Leading/Trailing) LED lighting
- LED lighting

**Contents**

<b>1. Pin Assignment.....</b>	<b>3</b>	<b>8.7</b>	<b>IP<sub>PEAK</sub> Detection Function.....</b>	<b>14</b>
<b>2. Pin Descriptions.....</b>	<b>3</b>	<b>8.8</b>	<b>Zero Voltage Switching Function .....</b>	<b>14</b>
<b>3. Block Diagram.....</b>	<b>4</b>	<b>8.9</b>	<b>Protection Functions .....</b>	<b>15</b>
<b>4. Absolute Maximum Ratings .....</b>	<b>5</b>	<b>9.</b>	<b>I/O Pin Equivalent Circuit Diagram .....</b>	<b>16</b>
<b>5. Recommended Operating Conditions.....</b>	<b>6</b>	<b>10.</b>	<b>Application Examples .....</b>	<b>18</b>
<b>6. Electrical Characteristics .....</b>	<b>7</b>	<b>10.1</b>	<b>17W Isolated and Phase Dimming Application .....</b>	<b>18</b>
<b>7. Standard Characteristics.....</b>	<b>9</b>	<b>11.</b>	<b>Usage Precautions .....</b>	<b>26</b>
<b>8. Function Explanations .....</b>	<b>10</b>	<b>12.</b>	<b>RoHS Compliance Information.....</b>	<b>26</b>
<b>8.1 LED Current Control by PSR(Primary Side Regulation)</b>	<b>10</b>	<b>13.</b>	<b>Ordering Information .....</b>	<b>26</b>
.....	<b>10</b>	<b>14.</b>	<b>Package Dimensions .....</b>	<b>27</b>
<b>8.2 PFC (Power Factor Correction) Function .....</b>	<b>11</b>	<b>15.</b>	<b>Major Changes.....</b>	<b>28</b>
<b>8.3 Phase Dimming Function .....</b>	<b>11</b>	<b>Document History .....</b>	<b>29</b>	
<b>8.4 HOLD Current Control Function .....</b>	<b>12</b>	<b>Sales, Solutions, and Legal Information .....</b>	<b>30</b>	
<b>8.5 Power-On Sequence .....</b>	<b>13</b>			
<b>8.6 Power-Off Sequence .....</b>	<b>14</b>			

## 1. Pin Assignment

Figure 1-1 Pin Assignment



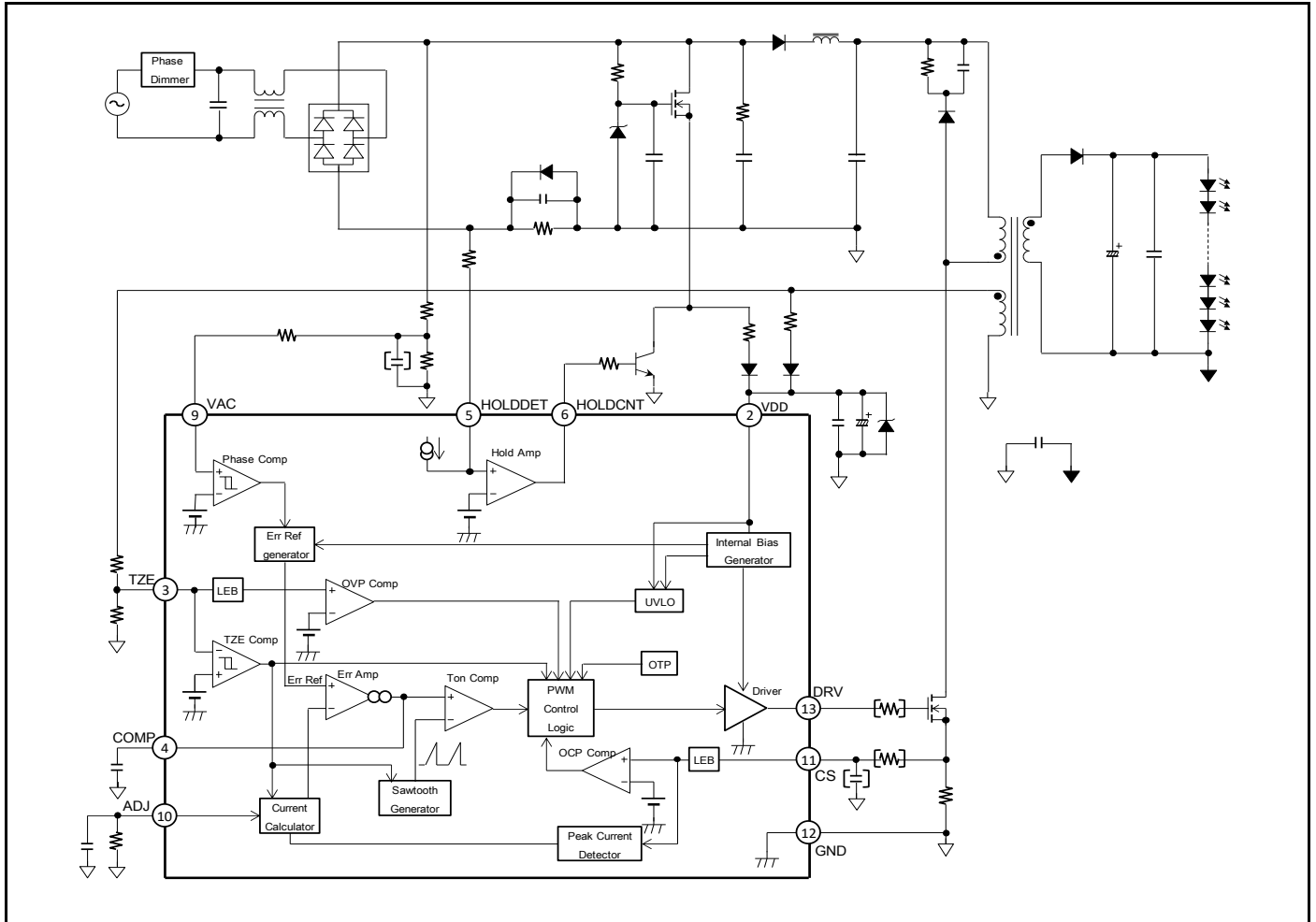
## 2. Pin Descriptions

Table 2-1 Pin Descriptions

Pin No.	Pin Name	I/O	Description
1	NC	-	Not used. Leave this pin open.
2	VDD	-	Power supply pin.
3	TZE	I	Transformer Zero Energy detecting pin.
4	COMP	O	External Capacitor connection pin for the compensation.
5	HOLDDDET	I	Phase Dimmer current detecting pin.
6	HOLDCNT	O	External BIP base current control pin.
7	NC	-	Not used. Leave this pin open.
8	NC	-	Not used. Leave this pin open.
9	VAC	I	Phase Dimmer conduction angle detecting pin.
10	ADJ	O	Pin for adjusting the switch-on timing.
11	CS	I	Pin for detecting peak current of transformer primary winding.
12	GND	-	Ground pin.
13	DRV	O	External MOSFET gate connection pin.
14	NC	-	Not used. Leave this pin open.

### 3. Block Diagram

Figure 3-1 Block Diagram (Isolated Flyback Application)



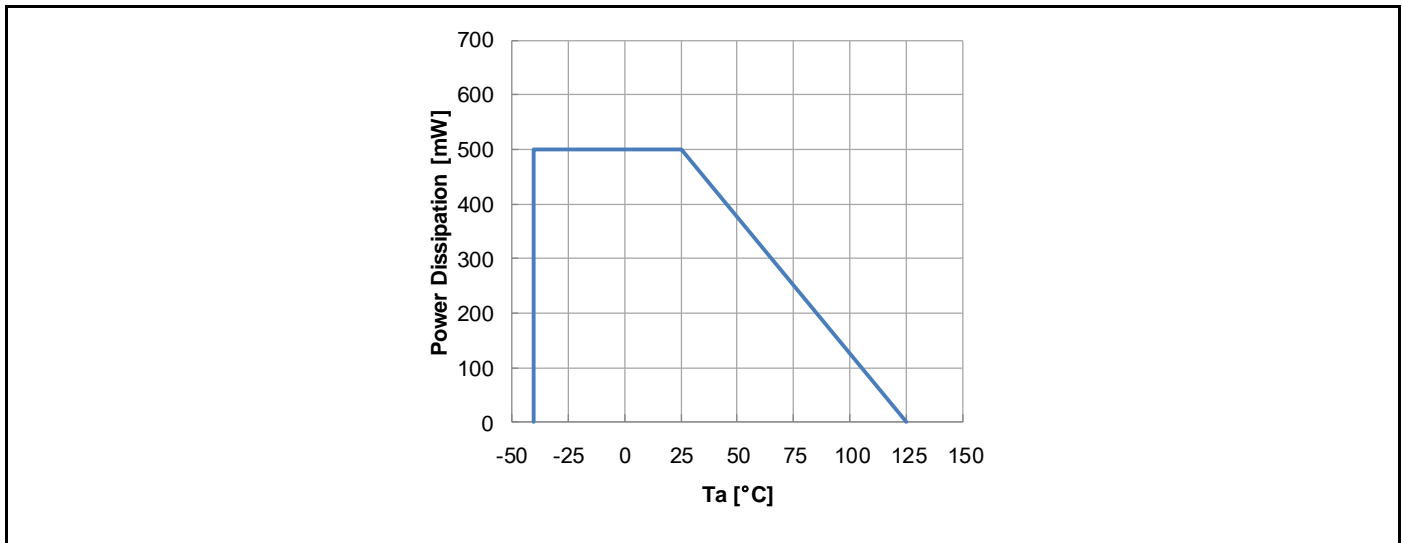
### 4. Absolute Maximum Ratings

Table 4-1 Absolute Maximum Ratings

Parameter	Symbol	Condition	Rating		Unit
			Min	Max	
Power Supply Voltage	V <sub>VDD</sub>	VDD pin	-0.3	+25	V
Input Voltage	V <sub>CS</sub>	CS pin	-0.3	+6.0	V
	V <sub>TZE</sub>	TZE pin	-0.3	+6.0	V
	V <sub>HOLDDDET</sub>	HOLDDDET pin	-0.3	+6.0	V
	V <sub>VAC</sub>	VAC pin	-0.3	+6.0	V
Output Voltage	V <sub>DRV</sub>	DRV pin	-0.3	+25	V
	V <sub>HOLDCNT</sub>	HOLDCNT pin	-0.3	+6.0	V
Output Current	I <sub>ADJ</sub>	ADJ pin	-1	-	mA
	I <sub>DRV</sub>	DRV pin DC level	-50	+50	mA
	I <sub>HOLDCNT</sub>	HOLDCNT pin	-400	-	μA
Power Dissipation	P <sub>D</sub>	T <sub>a</sub> ≤ +25°C	-	500(*1)	mW
Storage Temperature	T <sub>STG</sub>	-	-55	+125	°C
ESD Voltage 1	V <sub>ESDH</sub>	Human Body Model	-2000	+2000	V
ESD Voltage 2	V <sub>ESDC</sub>	Charged Device Model	-1000	+1000	V

\*1: The value when using two layers PCB.  
 Reference: θ<sub>ja</sub> (wind speed 0m/s): 200°C/W

Figure 4-1 Power Dissipation



**WARNING:**

1. Semiconductor devices may be permanently damaged by application of stress (including, without limitation, voltage, current or temperature) in excess of absolute maximum ratings. Do not exceed any of these ratings.

## 5. Recommended Operating Conditions

Table 5-1 Recommended Operating Conditions

Parameter	Symbol	Condition	Value			Unit
			Min	Typ	Max	
VDD pin Input Voltage	V <sub>VDD</sub>	VDD pin	9	-	20	V
VAC pin Resistance	R <sub>VAC</sub>	VAC pin	-	510	-	kΩ
TZE pin Resistance	R <sub>TZE</sub>	TZE pin	50	-	200	kΩ
ADJ pin Resistance	R <sub>ADJ</sub>	ADJ pin	9.3	-	185.5	kΩ
COMP pin Capacitance	C <sub>COMP</sub>	COMP pin	-	4.7	-	μF
VDD pin Capacitance	C <sub>BP</sub>	Set between VDD pin and GND pin	-	100	-	μF
Operating Junction Temperature	T <sub>j</sub>	-	-40	-	+125	°C

**WARNING:**

1. The recommended operating conditions are required in order to ensure the normal operation of the semiconductor device. All of the device's electrical characteristics are warranted when the device is operated under these conditions.
2. Any use of semiconductor devices will be under their recommended operating condition.
3. Operation under any conditions other than these conditions may adversely affect reliability of device and could result in device failure.
4. No warranty is made with respect to any use, operating conditions or combinations not represented on this data sheet. If you are considering application under any conditions other than listed herein, please contact sales representatives beforehand.

## 6. Electrical Characteristics

**Table 6-1 Electrical Characteristics**

 (Ta = +25°C, V<sub>VDD</sub> = 12V)

Parameter		Symbol	Pin	Condition	Value			Unit
					Min	Typ	Max	
UVLO	UVLO Turn-on threshold voltage	V <sub>TH</sub>	VDD	-	9.6	10.2	10.8	V
	UVLO Turn-off threshold voltage	V <sub>TL</sub>	VDD	-	7.55	8	8.5	V
	Startup current	I <sub>START</sub>	VDD	V <sub>VDD</sub> = 7V	-	65	160	μA
TRANSFORMER ZERO ENERGY DETECTION	Zero energy threshold voltage	V <sub>TZETL</sub>	TZE	TZE = "H" to "L"	-	20	-	mV
	Zero energy threshold voltage	V <sub>TZETH</sub>	TZE	TZE = "L" to "H"	0.6	0.7	0.8	V
	TZE clamp voltage	V <sub>TZECLAMP</sub>	TZE	I <sub>TZE</sub> = -10 μA	-200	-160	-100	mV
	OVP threshold voltage	V <sub>TZEOVP</sub>	TZE	-	4.15	4.3	4.45	V
	OVP blanking time	t <sub>OVPBLANK</sub>	TZE	-	0.6	1	1.7	μs
	TZE input current	I <sub>TZE</sub>	TZE	V <sub>TZE</sub> = 5V	-1	-	+1	μA
COMPENSATION	Source current	I <sub>SO</sub>	COM <sub>P</sub>	V <sub>COMP</sub> = 2V, V <sub>CS</sub> = 0V, Conduction Angle = 165deg	-	-27	-	μA
	Trans conductance	gm	COM <sub>P</sub>	V <sub>COMP</sub> = 2.5V, V <sub>CS</sub> = 1V	-	96	-	μA/V
ADJUSTMENT	ADJ voltage	V <sub>ADJ</sub>	ADJ	-	1.81	1.85	1.89	V
	ADJ source current	I <sub>ADJ</sub>	ADJ	V <sub>ADJ</sub> = 0V	-650	-450	-250	μA
	ADJ time	t <sub>ADJ</sub>	TZE DRV	t <sub>ADJ</sub> (R <sub>ADJ</sub> = 51 kΩ) - t <sub>ADJ</sub> (R <sub>ADJ</sub> = 9.1 kΩ)	490	550	610	ns
	Minimum switching period	T <sub>SW</sub>	TZE DRV	-	6.75	7.5	8.25	μs
CURRENT SENSE	OCP threshold voltage	V <sub>OCPH</sub>	CS	-	1.9	2	2.1	V
	OCP delay time	t <sub>OCPDLY</sub>	CS	-	-	400	500	ns
	CS input current	I <sub>CS</sub>	CS	V <sub>CS</sub> = 5V	-1	-	+1	μA

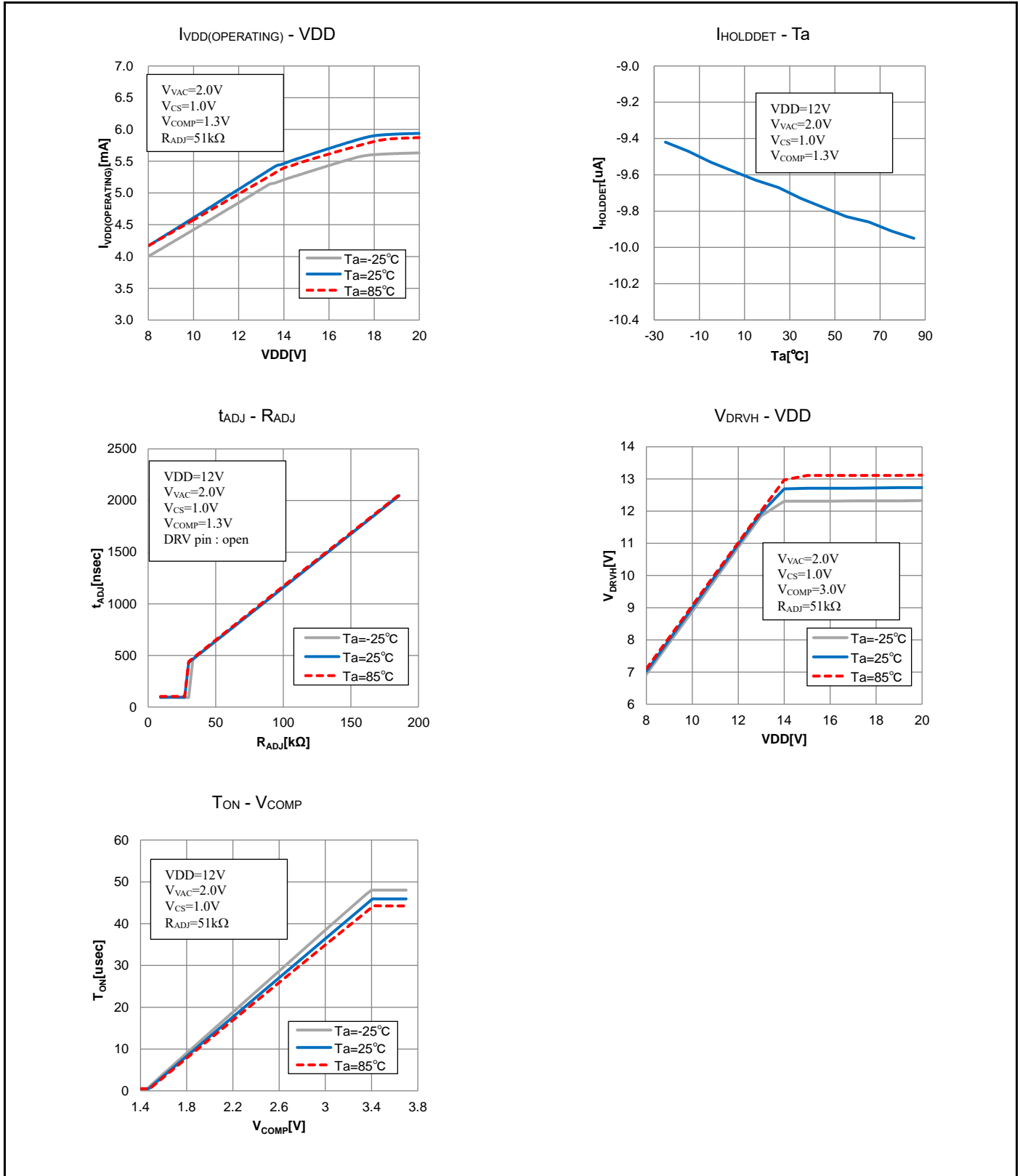


(Ta = +25°C, V<sub>VDD</sub> = 12V)

Parameter		Symbol	Pin	Condition	Value			Unit
					Min	Typ	Max	
DRV	DRV high voltage	V <sub>DRVH</sub>	DRV	V <sub>VDD</sub> = 18V, I <sub>DRV</sub> = -30 mA	7.6	9.4	-	V
	DRV low voltage	V <sub>DRVL</sub>	DRV	V <sub>VDD</sub> = 18V, I <sub>DRV</sub> = 30 mA	-	130	260	mV
	Rise time	t <sub>RISE</sub>	DRV	V <sub>VDD</sub> = 18V, C <sub>LOAD</sub> = 1 nF	-	94	-	ns
	Fall time	t <sub>FALL</sub>	DRV	V <sub>VDD</sub> = 18V, C <sub>LOAD</sub> = 1 nF	-	16	-	ns
	Minimum on time	t <sub>ONMIN</sub>	DRV	TZE trigger	300	500	700	ns
	Maximum on time	t <sub>ONMAX</sub>	DRV	-	27	44	60	μs
	Minimum off time	t <sub>OFFMIN</sub>	DRV	-	1	1.5	1.93	μs
	Maximum off time	t <sub>OFFMAX</sub>	DRV	TZE = GND	37	46	55	μs
OTP	OTP threshold	T <sub>OTP</sub>	-	T <sub>j</sub> , temperature rising	-	150	-	°C
	OTP hysteresis	T <sub>OTPHYS</sub>	-	T <sub>j</sub> , temperature falling, degrees below T <sub>OTP</sub>	-	25	-	°C
DIMMER CONDUCTION ANGLE DETECTION	Phase Comp threshold voltage	V <sub>PHTH1</sub>	VAC	VAC = "L" to "H"	0.9	1.0	1.1	V
	Phase Comp threshold voltage	V <sub>PHTH2</sub>	VAC	VAC = "H" to "L"	0.45	0.5	0.55	V
	Phase Comp hysteresis	V <sub>PHHYS</sub>	VAC	-	-	0.5	-	V
TRIAC HOLD CURRENT CONTROL	HOLDDDET input current	I <sub>HOLDDDET</sub>	HOLD DET	-	-10.09	-9.7	-9.32	μA
	Hold Amp threshold voltage	V <sub>HOLDTH</sub>	HOLD CNT	-	375	400	425	mV
	HOLDCNT Maximum output voltage	V <sub>CNTOH</sub>	HOLD CNT	V <sub>HOLDDDET</sub> = 0.6V, R <sub>BASE</sub> = 16 kΩ, V <sub>BASE</sub> = 0.7V	3.4	-	-	V
	HOLDCNT Minimum output voltage	V <sub>CNTOL</sub>	HOLD CNT	V <sub>HOLDDDET</sub> = 0.2V, R <sub>BASE</sub> = 16 kΩ, V <sub>BASE</sub> = 0.7V	-	-	0.8	V
	HOLDCNT source current	I <sub>CNTSO</sub>	HOLD CNT	V <sub>HOLDDDET</sub> = 0.6V, R <sub>BASE</sub> = 16 kΩ, V <sub>BASE</sub> = 0.7V	-250	-200	-167	μA
POWER SUPPLY CURRENT	Power supply current	I <sub>VDD(STATIC)</sub>	VDD	V <sub>VDD</sub> = 20V, V <sub>TZE</sub> = 1V	-	3.3	4	mA
		I <sub>VDD(OPERATING)</sub>	VDD	V <sub>VDD</sub> = 20V, Q <sub>g</sub> = 20 nC, f <sub>SW</sub> = 133 kHz	-	5.9	-	mA

## 7. Standard Characteristics

Figure 7-1 Standard Characteristics





### 8.2 PFC (Power Factor Correction) Function

Switching on time ( $T_{ON}$ ) is generated by comparing  $V_{COMP}$  with an internal sawtooth waveform (refer to Figure 3-1). Since  $V_{COMP}$  is slow varying with connecting an external capacitor ( $C_{COMP}$ ) from the COMP pin to the GND pin,  $T_{ON}$  is nearly constant within an AC line cycle. In this state,  $I_{P\_PEAK}$  is nearly proportional to the AC line voltage ( $V_{BULK}$ ). It can bring the phase differences between the input voltage and the input current close to zero, so that high Power Factor can be achieved.

### 8.3 Phase Dimming Function

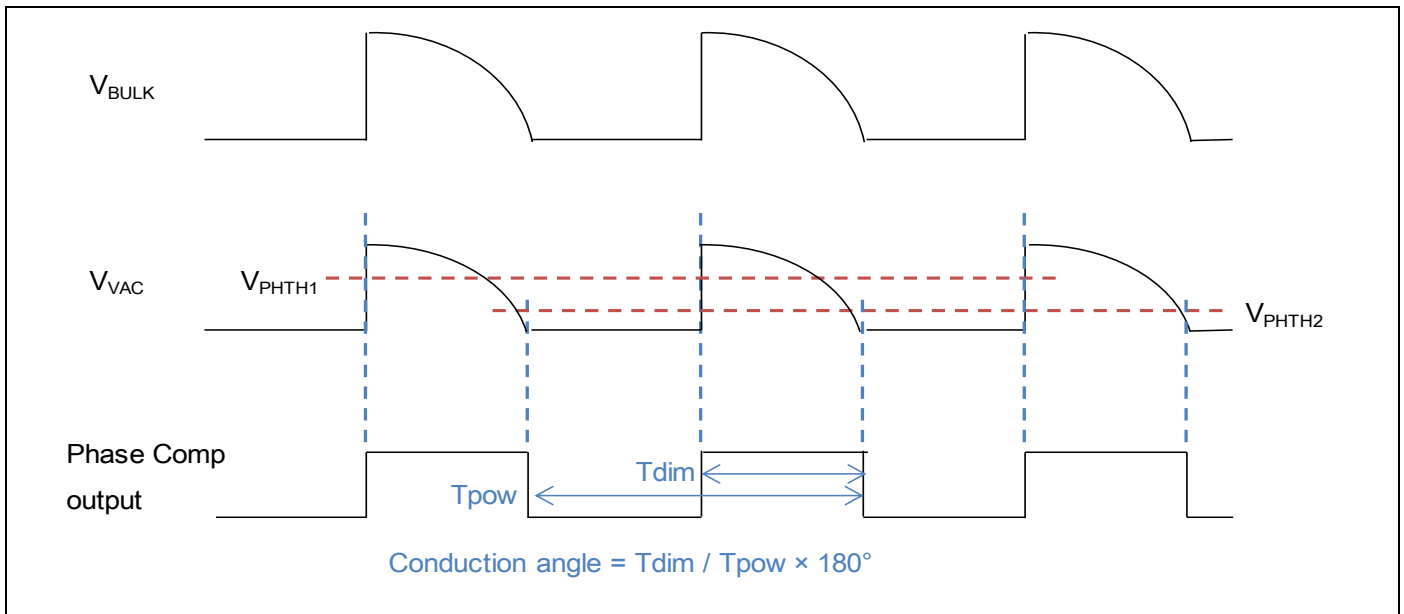
CY39C603 is compatible with both leading-edge dimmers (TRIAC dimming) and trailing-edge dimmers.

To realize the phase dimming, this device has two functions, dimmer conduction angle detect function for LED current control and TRIAC dimmer hold current control function.

Figure 8-2 shows how CY39C603 detects the conduction angle.  $V_{BULK}$  is scaled via a resistor divider connected to the VAC pin. The conduction angle is detected by monitoring the voltage on the VAC pin ( $V_{VAC}$ ).

CY39C603 measures a half of power cycle period ( $T_{pow}$ ) as duration between negative crossings of  $V_{VAC}$  and a Phase Comp threshold voltage ( $V_{PHTH2}$ ). Dimmer-ON period ( $T_{dim}$ ) is measured as duration between a positive crossing of  $V_{VAC}$  and another Phase Comp threshold voltage ( $V_{PHTH1}$ ) and the following negative crossing. Conduction angle is defined as  $T_{dim}/T_{pow} \times 180^\circ$ .

Figure 8-2 Conduction Angle Detection Waveform



CY39C603 regulates LED current by changing a reference of Err Amp as a function of the conduction angle. Table 8-1 shows  $I_{LED}$  dimming ratio based on the conduction angle.

In addition, the initial  $I_{LED}$  ratio in Power-On state is 5%.

Table 8-1  $I_{LED}$  Ratio Based on Conduction Angles

Conduction Angle	$I_{LED}$ Ratio [%]
$\theta < 45\text{deg}$	5
$45\text{deg} \leq \theta < 90\text{deg}$	$(25/45) \times \theta - 20$
$90\text{deg} \leq \theta < 135\text{deg}$	$(70/45) \times \theta - 110$
$135\text{deg} \leq \theta$	100

### 8.4 HOLD Current Control Function

The hold current control function prevents LEDs from flickering caused by shortage of hold current. The hold current ( $I_{HOLD}$ ) is the minimum current required to flow through TRIAC dimmer in order to keep the TRIAC on (refer to Figure 8-3). In small conduction angle, since  $I_{LED}$  can be low, AC/DC Converter current ( $I_{BULK}$ ) and TRIAC dimmer current ( $I_{TRIAC}$ ) are reduced. Once  $I_{TRIAC}$  falls below  $I_{HOLD}$ , TRIAC goes off and this results in LED flickering. CY39C603 controls  $I_{TRIAC}$  larger than  $I_{HOLD}$  by adding the current ( $I_{BIP}$ ) via a BIP transistor (M1) with sensing  $I_{TRIAC}$  and keeps the TRIAC on.

$I_{TRIAC}$  is sensed with a resistor ( $R_S$ ). A bypass diode ( $D_{BYPASS}$ ) is used to clamp the voltage between  $R_S$  terminals ( $V_{RS}$ ) and prevent the voltage on the HOLDDET pin ( $V_{HOLDDDET}$ ) from exceeding absolute maximum ratings. An offset resistor ( $R_{OFFSET}$ ) is used to add an offset voltage to  $V_{HOLDDDET}$  and prevent  $V_{HOLDDDET}$  from the above ratings.

$R_S$  is set as the following equation.

$$R_S = \frac{R_{OFFSET} \times I_{HOLDDDET} - V_{HOLDTH}}{I_{TRIACMIN}}$$

where  $I_{HOLDDDET}$  is the current of the HOLDDET pin,  $V_{HOLDTH}$  is Hold Amp threshold voltage, and  $I_{TRIACMIN}$  is minimum TRIAC current chosen by designers.

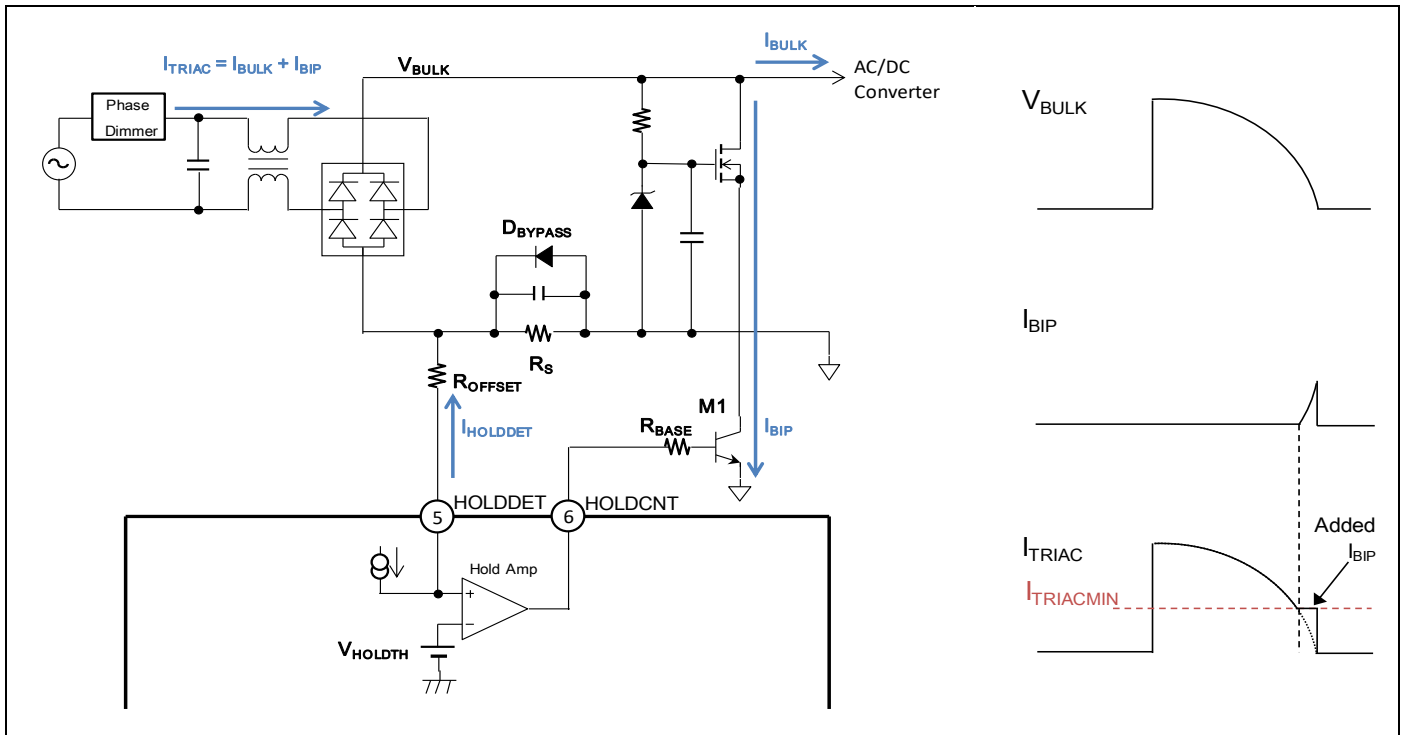
$R_{OFFSET}$  is set as the following equation.

$$R_{OFFSET} > \frac{V_{BYPASSMAX} - 0.3V}{I_{HOLDDDET}}$$

where  $V_{BYPASSMAX}$  is the maximum forward voltage of  $D_{BYPASS}$ .

Hold Amp is designed only for driving BIP transistors. Connecting a resistor ( $R_{BASE}$ ) between the HOLDCNT pin and M1 base terminal limits the maximum  $I_{BIP}$  value and clamp the rush current at TRIAC dimmer-on timing.

Figure 8-3 HOLD Current Control Waveform



### 8.5 Power-On Sequence

When the AC line voltage is supplied,  $V_{BULK}$  is powered from the AC line through a diode bridge, and the VDD pin is charged from  $V_{BULK}$  through an external source-follower BiasMOS.(Figure 8-4 red path)

When the VDD pin is charged up and the voltage on the VDD pin ( $V_{VDD}$ ) rises above the UVLO threshold voltage, an internal Bias circuit starts operating, and CY39C603 starts the conduction angle detection (refer to 8.3). After the UVLO is released, this device enables switching and is operating in a forced switching mode ( $T_{ON} = 1.5 \mu s$ ,  $T_{OFF} = 78 \mu s$  to  $320 \mu s$ ). When the voltage on the TZE pin reaches the Zero energy threshold voltage ( $V_{TZETH} = 0.7V$ ), CY39C603 enters normal operation mode. After the switching begins, the VDD pin is also charged from Auxiliary Winding through an external diode (DBIAS).(Figure 8-4 blue path)

During non-conduction period  $V_{VDD}$  is not supplied from  $V_{BULK}$  or Auxiliary Winding. It is necessary to set an appropriate capacitor of the VDD pin in order to keep  $V_{VDD}$  above the UVLO threshold voltage in this period. An external diode (D1) between BiasMOS and the VDD pin is used to prevent discharge from the VDD pin to  $V_{BULK}$  at zero cross points of the AC line voltage.

Figure 8-4 VDD Supply Path at Power-On

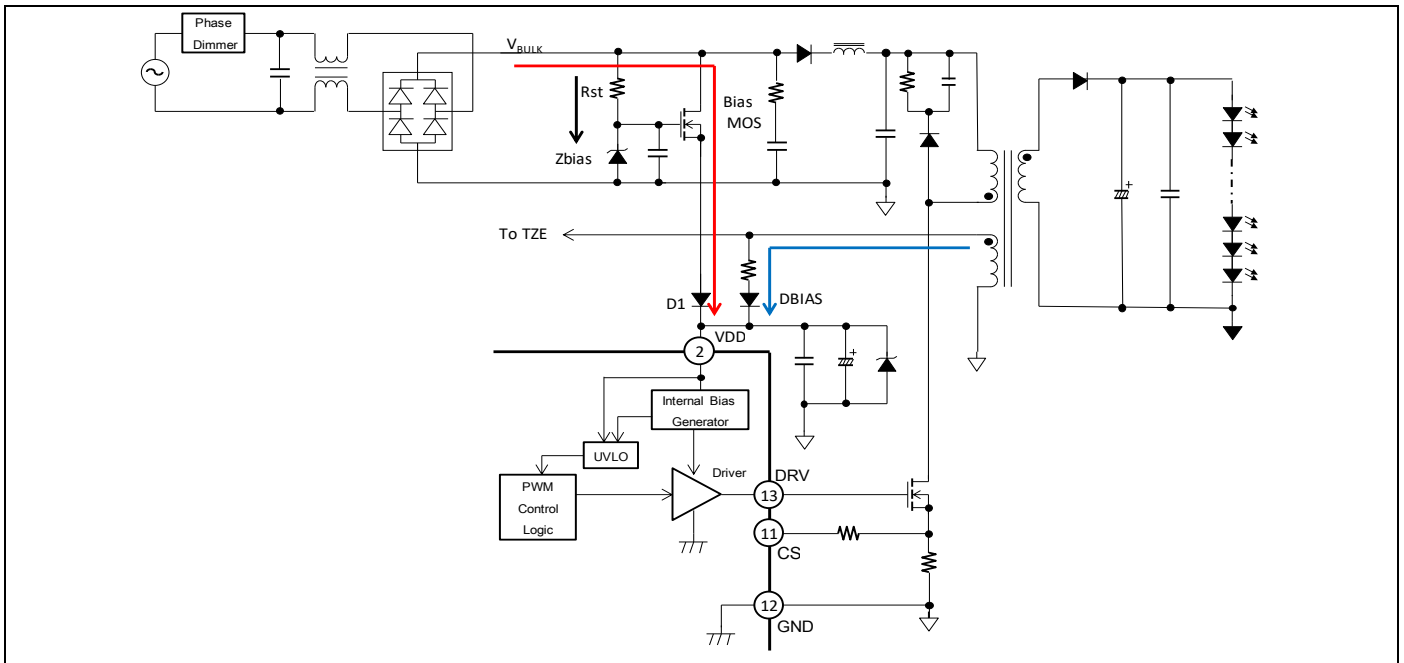
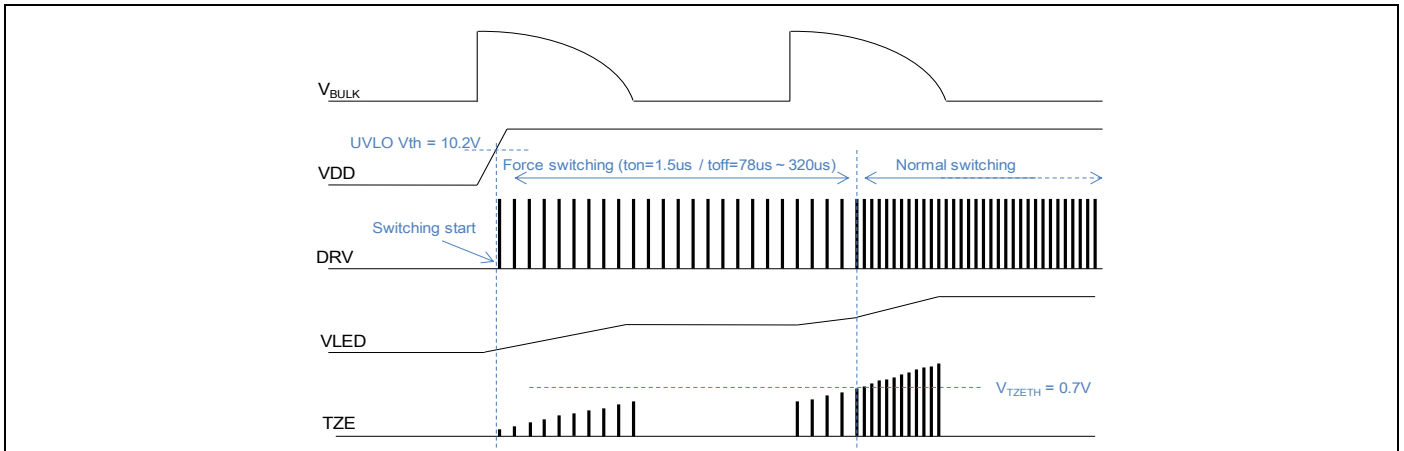


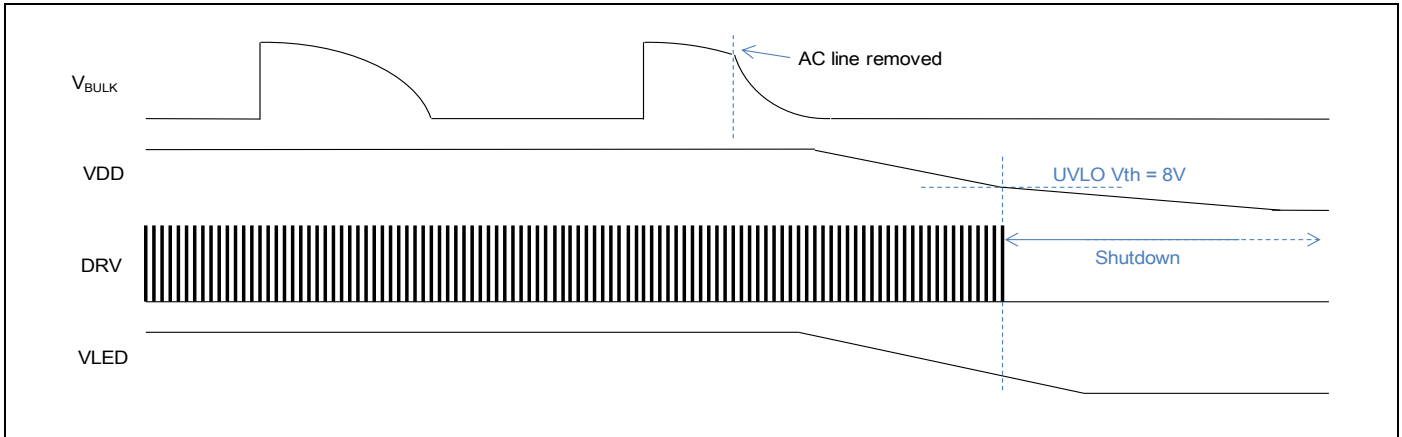
Figure 8-5 Power-On Waveform



## 8.6 Power-Off Sequence

After the AC line voltage is removed,  $V_{BULK}$  is discharged by switching operation and the Hold current circuit. Since any Secondary Winding current does not flow,  $I_{LED}$  is supplied only from output capacitors and decreases gradually.  $V_{VDD}$  also decreases because there is no current supply from both Auxiliary Winding and  $V_{BULK}$ . When  $V_{VDD}$  falls below the UVLO threshold voltage, CY39C603 shuts down.

**Figure 8-6 Power-Off Waveform**



## 8.7 $I_{P\_PEAK}$ Detection Function

CY39C603 detects Primary Winding peak current ( $I_{P\_PEAK}$ ) of Transformer.  $I_{LED}$  is set by connecting a sense resistance ( $R_{CS}$ ) between the CS pin and the GND pin. Maximum  $I_{P\_PEAK}$  ( $I_{P\_PEAKMAX}$ ) limited by Over Current Protection (OCP) can also be set with the resistance.

Using the Secondary to Primary turns ratio ( $N_P/N_S$ ) and  $I_{LED}$ ,  $R_{CS}$  is set as the following equation (refer to 8.1).

$$R_{CS} = \frac{N_P}{N_S} \times \frac{0.132}{I_{LED}}$$

In addition, using the OCP threshold voltage ( $V_{OCPTH}$ ) and  $R_{CS}$ ,  $I_{P\_PEAKMAX}$  is calculated with the following equation.

$$I_{P\_PEAKMAX} = \frac{V_{OCPTH}}{R_{CS}}$$

## 8.8 Zero Voltage Switching Function

CY39C603 has built-in zero voltage switching function to minimize switching loss of the external switching MOSFET. This device detects a zero crossing point through a resistor divider connected from the TZE pin to Auxiliary Winding. A zero energy detection circuit detects a negative crossing point of the voltage on the TZE pin to Zero energy threshold voltage ( $V_{TZETL}$ ). On-timing of switching MOSFET is decided with waiting an adjustment time ( $t_{ADJ}$ ) after the negative crossing occurs.

$t_{ADJ}$  is set by connecting an external resistance ( $R_{ADJ}$ ) between the ADJ pin and the GND pin. Using Primary Winding inductance ( $L_P$ ) and the parasitic drain capacitor of switching MOSFET ( $C_D$ ),  $t_{ADJ}$  is calculated with the following equation.

$$t_{ADJ} = \frac{\pi \sqrt{L_P \times C_D}}{2}$$

Using  $t_{ADJ}$ ,  $R_{ADJ}$  is set as the following equation.

$$R_{ADJ}[k\Omega] = 0.0927 \times t_{ADJ}[ns]$$

## 8.9 Protection Functions

### Under Voltage Lockout Protection (UVLO)

The under voltage lockout protection (UVLO) prevents IC from a malfunction in the transient state during  $V_{VDD}$  startup and a malfunction caused by a momentary drop of  $V_{VDD}$ , and protects the system from destruction/deterioration. An UVLO comparator detects the voltage decrease below the UVLO threshold voltage on the VDD pin, and then the DRV pin is turned to “L” and the switching stops. CY39C603 automatically returns to normal operation mode when  $V_{VDD}$  increases above the UVLO threshold voltage.

### Over Voltage Protection (OVP)

The over voltage protection (OVP) protects Secondary side components from an excessive stress voltage. If the LED is disconnected, the output voltage of Secondary Winding rises up. The output overvoltage can be detected by monitoring the TZE pin. During Secondary Winding energy discharge time,  $V_{TZE}$  is proportional to  $V_{AUX}$  and the voltage of Secondary Winding (refer to 8.1). When  $V_{TZE}$  rises higher than the OVP threshold voltage for 3 continues switching cycles, the DRV pin is turned to “L”, and the switching stops (latch off). When  $V_{VDD}$  drops below the UVLO threshold voltage, the latch is removed.

### Over Current Protection (OCP)

The over current protection (OCP) prevents inductor or transformer from saturation. The drain current of the external switching MOSFET is limited by OCP. When the voltage on the CS pin reaches the OCP threshold voltage, the DRV pin is turned to “L” and the switching cycle ends. After zero crossing is detected on the TZE pin again, the DRV pin is turned to “H” and the next switching cycle begins.

### Over Temperature Protection (OTP)

The over temperature protection (OTP) protects IC from thermal destruction. When the junction temperature reaches  $+150^{\circ}\text{C}$ , the DRV pin is turned to “L”, and the switching stops. It automatically returns to normal operation mode if the junction temperature falls back below  $+125^{\circ}\text{C}$ .

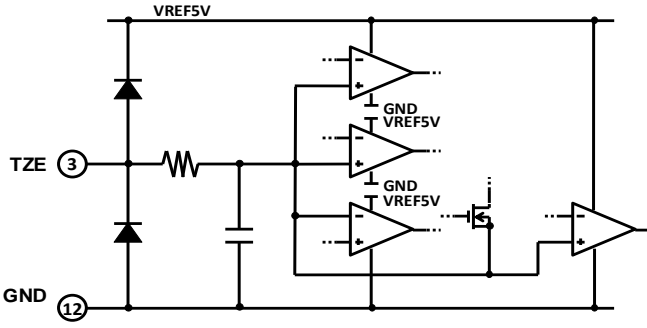
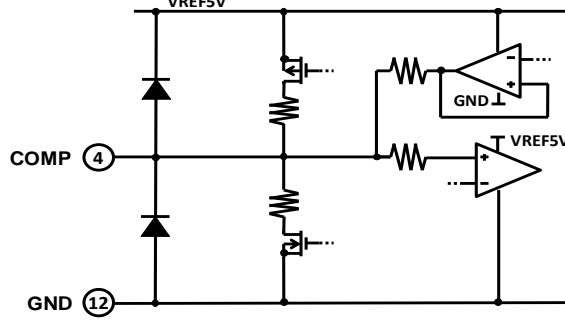
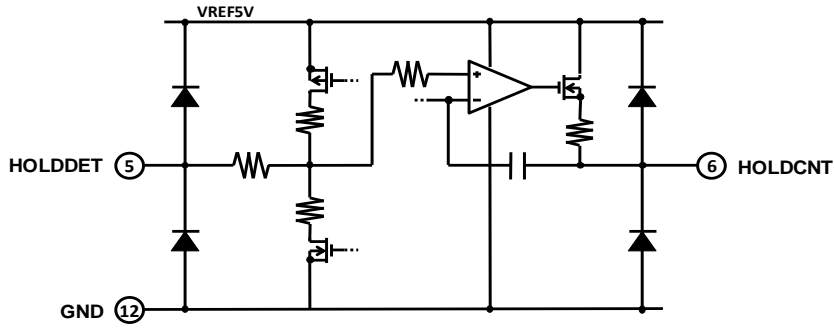
**Table 8-2 Protection Functions Table**

Function	PIN Operation				Detection Condition	Return Condition	Remarks
	DRV	HOLD CNT	COMP	ADJ			
Normal Operation	Active	Active	Active	Active	-	-	-
Under Voltage Lockout Protection (UVLO)	L	L	L	L	$V_{DD} < 8\text{V}$	$V_{DD} > 10.2\text{V}$	Auto Restart
Over Voltage Protection (OVP)	L	L	1.5V fixed	Active	$TZE > 4.3\text{V}$	$V_{DD} < 8\text{V}$ → $V_{DD} > 10.2\text{V}$	Latch off
Over Current Protection (OCP)	L	Active	Active	Active	$CS > 2\text{V}$	Cycle by cycle	Auto Restart
Over Temperature Protection (OTP)	L	L	1.5V fixed	Active	$T_j > +150^{\circ}\text{C}$	$T_j < +125^{\circ}\text{C}$	Auto Restart



### 9. I/O Pin Equivalent Circuit Diagram

Figure 9-1 I/O Pin Equivalent Circuit Diagram

Pin No.	Pin Name	Equivalent Circuit Diagram
3	TZE	
4	COMP	
5, 6	HOLDDET, HOLDCNT	

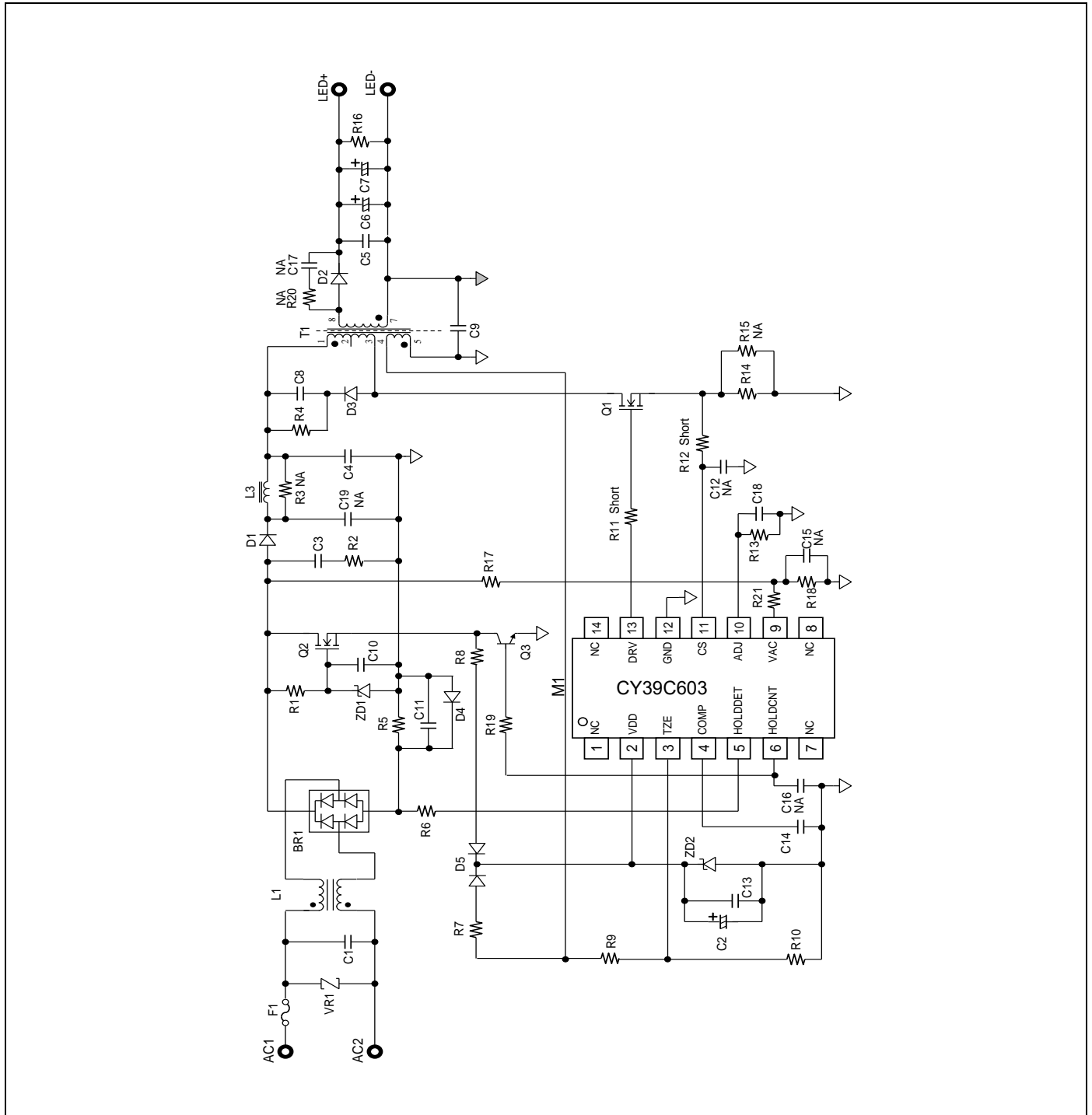
Pin No.	Pin Name	Equivalent Circuit Diagram
9	VAC	
10	ADJ	
11	CS	
13	DRV	

## 10. Application Examples

### 10.1 17W Isolated and Phase Dimming Application

Input: AC85V<sub>RMS</sub> to 145V<sub>RMS</sub>, Output: 470mA/32V to 42V, Ta = +25°C

Figure 10-1 17W EVB Schematic

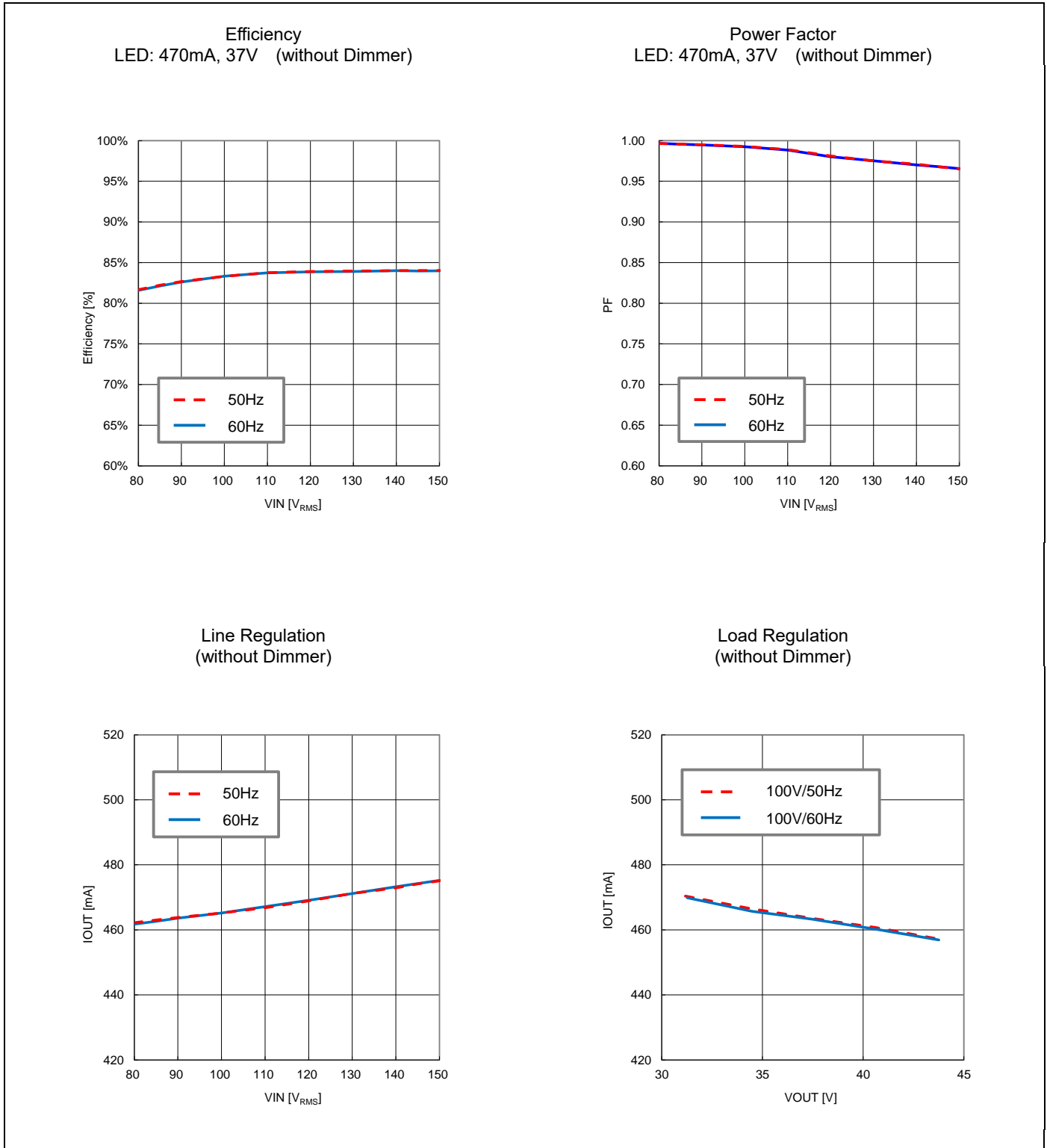


**Table 10-1 17W BOM List**

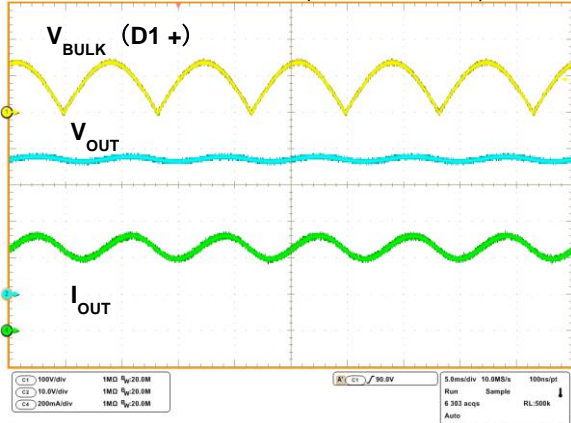
No.	Component	Description	Part No.	Vendor
1	M1	LED driver IC, SOP-14	CY39C603	Cypress
2	Q1	MOSFET, N-channel, 800V, 5.5A, TO-220F	FQPF8N80C	Fairchild
3	Q2	MOSFET, N-channel, 650V, 7.3A, TO-220	FDPF10N60NZ	Fairchild
4	Q3	Bipolar transistor, NPN, 60V, 3A, hfe = 250min, SOT-223	NZT560A	Fairchild
5	BR1	Bridge rectifier, 1A, 600V, Micro-DIP	MDB6S	Fairchild
6	D1	Diode, ultra fast rectifier, 1A, 600V, SMA	ES1J	Fairchild
7	D2	Diode, ultra fast rectifier, 3A, 200V, SMC	ES3D	Fairchild
8	D3	Diode, fast rectifier, 1A, 800V, SMA	RS1K	Fairchild
9	D4	Diode, ultra fast rectifier, 1A, 200V, SMA	ES1D	Fairchild
10	D5	Diode, 200 mA, 200V, SOT-23	MMBD1404	Fairchild
11	ZD1, ZD2	Diode, Zener, 18V, 500 mW, SOD-123	MMSZ18T1G	ON Semi
12	T1	Transformer, 600 $\mu$ H	EI-2520	-
13	L1	Common mode inductor, 20 mH, 0.5A	744821120	Wurth Electronic
14	L3	Inductor, 3.3 mH, 0.27A, 5.0 $\Omega$ , $\phi$ 10 $\times$ 14.4	RCH114NP-332KB	Sumida
15	C1	Capacitor, X2, 305VAC, 0.1 $\mu$ F	B32921C3104M	EPCOS
16	C2	Capacitor, aluminum electrolytic, 100 $\mu$ F, 25V, $\phi$ 6.3 $\times$ 11	EKMG250ELL101MF11D	NIPPON-CHEMI-CON
17	C3	Capacitor, polyester film, 220 nF, 400V, 18.5 $\times$ 5.9	ECQ-E4224KF	Panasonic
18	C4	Capacitor, polyester film, 100 nF, 400V, 12 $\times$ 6.3	ECQ-E4104KF	Panasonic
19	C5	Capacitor, ceramic, 10 $\mu$ F, 50V, X7S, 1210	-	-
20	C6, C7	Capacitor, aluminum electrolytic, 470 $\mu$ F 50V, $\phi$ 10.0 $\times$ 20	EKMG500ELL471MJ20S	NIPPON-CHEMI-CON
21	C8	Capacitor, ceramic, 15 nF, 250V, X7R, 1206	-	-
22	C9	Capacitor, ceramic, 2.2 nF, X1/Y1 radial	DE1E3KX222M	muRata
23	C10, C11	Capacitor, ceramic, 0.1 $\mu$ F, 50V, X5R, 0603	-	-
24	C12, C15, C16	NA (Open), 0603	-	-
25	C13	Capacitor, ceramic, 10 $\mu$ F, 35V, X5R, 0805	-	-
26	C14	Capacitor, ceramic, 4.7 $\mu$ F, 16V, JB, 0805	-	-
27	C17	NA (Open), 1206	-	-
28	C18	Capacitor, ceramic, 100 pF, 50V, CH, 0603	-	-
29	C19	NA (Open)	-	-
30	R1, R17	Resistor, chip, 1 M $\Omega$ , 1/4W, 1206	-	-
31	R2	Resistor, metal film, 510 $\Omega$ , 2W,	-	-
32	R3	NA (Open), 1206	-	-
33	R4	Resistor, metal oxide film, 68 k $\Omega$ , 3W	-	-
34	R5	Resistor, chip, 5.1 $\Omega$ , 1W, 2512	-	-
35	R6	Resistor, chip, 62 k $\Omega$ , 1/10W, 0603	-	-
36	R7	Resistor, chip, 10 $\Omega$ , 1/8W, 0805	-	-
37	R8	Resistor, chip, 22 $\Omega$ , 1/10W, 0603	-	-
38	R9	Resistor, chip, 91 k $\Omega$ , 1/10W, 0603	-	-
39	R10	Resistor, chip, 24 k $\Omega$ , 1/10W, 0603	-	-
40	R11, R12	NA (Short), 0603	-	-
41	R13	Resistor, chip, 39 k $\Omega$ , 1/10W, 0603	-	-
42	R14	Resistor, chip, 1.1 $\Omega$ , 1/4W, 1206	-	-
43	R16	Resistor, chip, 51 k $\Omega$ , 1/10W, 0603	-	-
44	R18	Resistor, chip, 33 k $\Omega$ , 1/10W, 0603	-	-
45	R19	Resistor, chip, 12 k $\Omega$ , 1/10W, 0603	-	-
46	R20, R15	NA (Open), 1206	-	-
47	R21	Resistor, chip, 510 k $\Omega$ , 1/10W, 0603	-	-
48	VR1	Varistor, 275VAC, 7 mm DISK	ERZ-V07D431	Panasonic
49	F1	Fuse, 1A, 300VAC	3691100000	Littelfuse

Fairchild : Fairchild Semiconductor International, Inc.  
On Semi : ON Semiconductor  
Wurth Electronic : Wurth Electronics Midcom Inc.  
Sumida : SUMIDA CORPORATION  
EPCOS : EPCOS AG  
NIPPON-CHEMI-CON : Nippon Chemi-Con Corporation  
Panasonic : Panasonic Corporation  
muRata : Murata Manufacturing Co., Ltd.  
Littelfuse : Littelfuse, Inc.

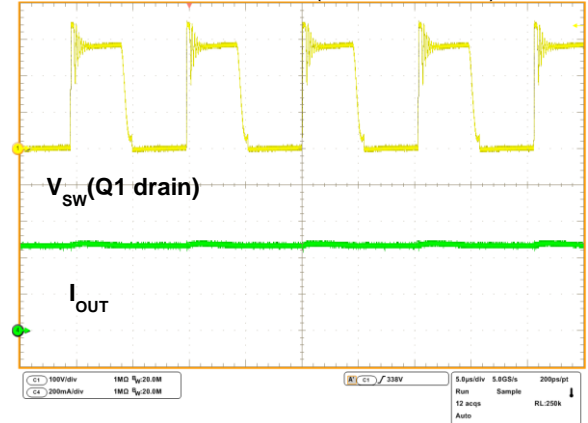
**Figure 10-2 17W Reference Data**



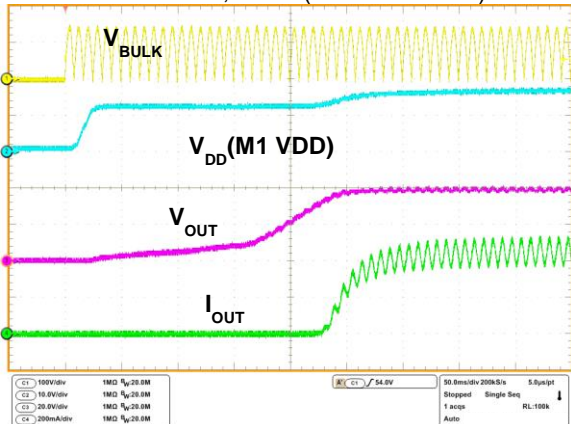
Output Ripple Waveform  
 $V_{IN}=100V_{RMS} / 60Hz$   
LED: 470mA, 37V (without Dimmer)



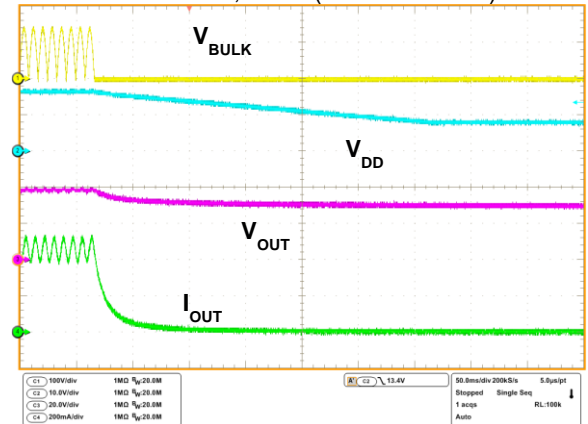
Switching Waveform  
 $V_{IN}=100V_{RMS} / 60Hz$   
LED: 470mA, 37V (without Dimmer)



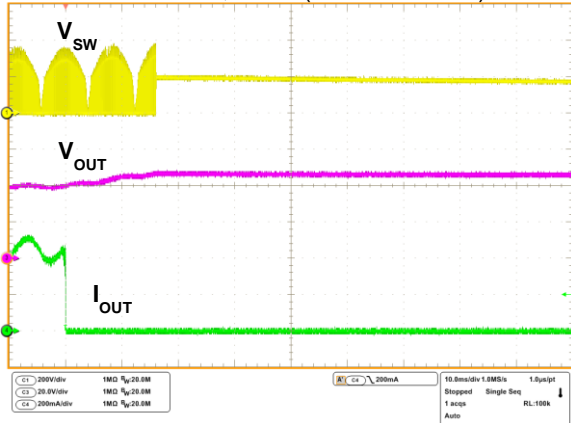
Turn-On Waveform  
 $V_{IN}=100V_{RMS} / 60Hz$   
LED: 470mA, 37V (without Dimmer)



Turn-Off Waveform  
 $V_{IN}=100V_{RMS} / 60Hz$   
LED: 470mA, 37V (without Dimmer)



LED Open Waveform  
 $V_{IN}=100V_{RMS} / 60Hz$   
LED: 470mA, 37V (without Dimmer)



Total Harmonic Distortion (THD)  
LED: 470mA, 37V (without Dimmer)

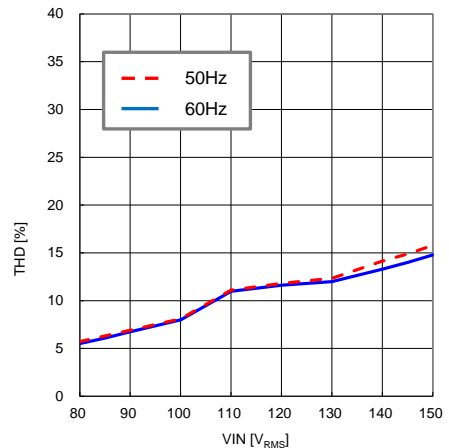


Figure 10-3 17W Japan Dimmer Performance Data

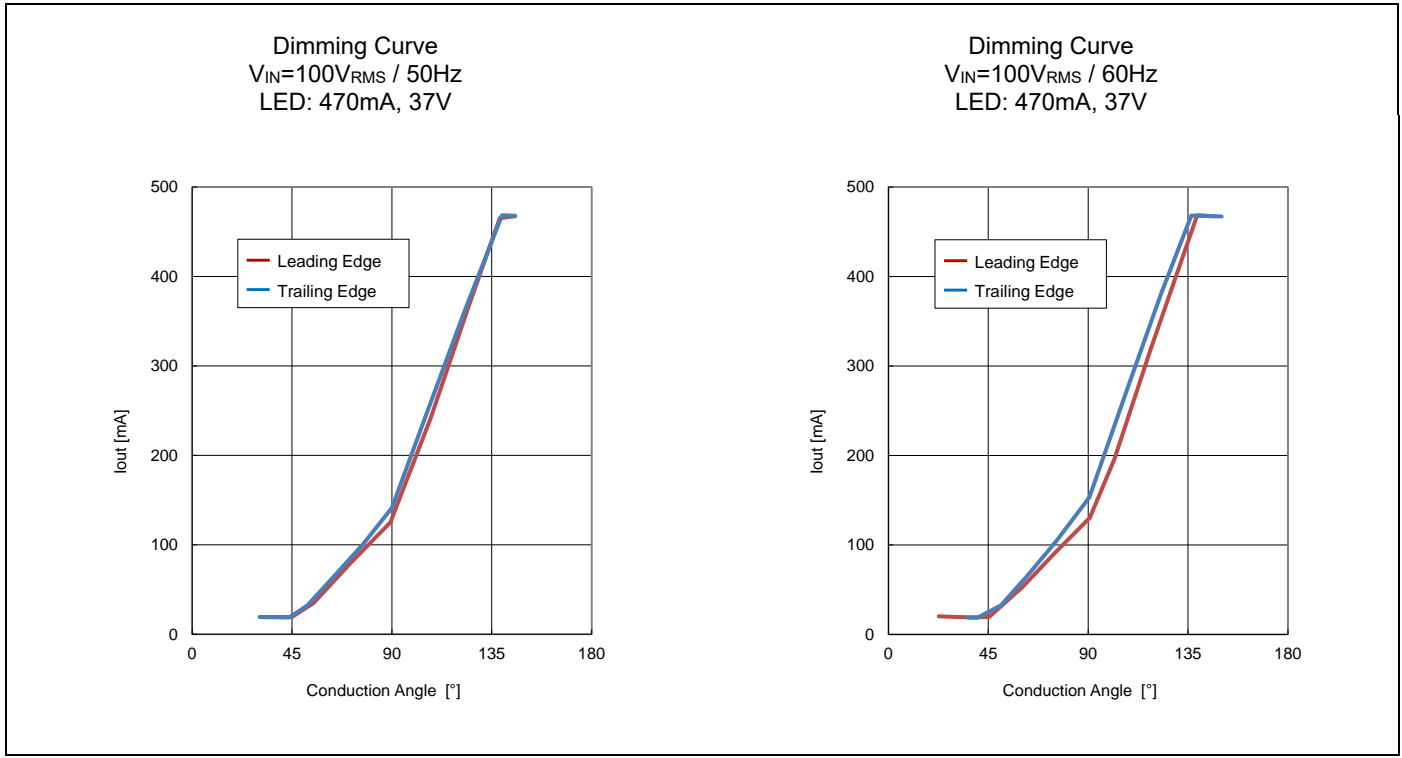


Table 10-2 17W Japan Dimmer Performance Data

Dimmer		Input Condition	Type	Minimum Angle (°)	Minimum $I_{out}$ (mA)	Maximum Angle (°)	Maximum $I_{out}$ (mA)
Vendor	Parts Name						
LUTRON	DVCL-123P-JA	$V_{IN}=100V_{RMS}$ 50Hz (Japan Dimmer)	Leading Edge	31.9	19.2	141.8	468.4
Panasonic	WTC57521			38.0	19.2	145.6	467.6
	WN575280K			27.7	19.8	147.2	467.0
	NQ20203T			31.0	19.4	146.7	466.9
DAIKO	DP-37154			32.4	19.1	142.9	466.9
Mitsubishi	DEM1003B			28.3	19.7	147.8	466.9
	DG9022H			46.4	19.4	151.9	467.2
TOSHIBA	DG9048N			34.0	19.2	155.3	466.6
	WDG9001			30.4	18.8	145.4	468.4
LUTRON	DVCL-123P-JA			$V_{IN}=100V_{RMS}$ 60Hz (Japan Dimmer)	Trailing Edge	22.7	19.1
Panasonic	WTC57521	38.9	19.1			146.7	468.4
	WN575280K	27.4	19.6			146.2	466.8
	NQ20203T	27.6	19.6			144.3	467.3
DAIKO	DP-37154	33.0	19.1			144.3	467.0
Mitsubishi	DEM1003B	25.9	19.9			145.2	467.2
	DG9022H	22.0	18.8			150.8	467.0
TOSHIBA	DG9048N	22.7	19.6			153.6	466.5
	WDG9001	35.9	18.7			150.1	468.3



Figure 10-4 17W USA Dimmer Performance Data

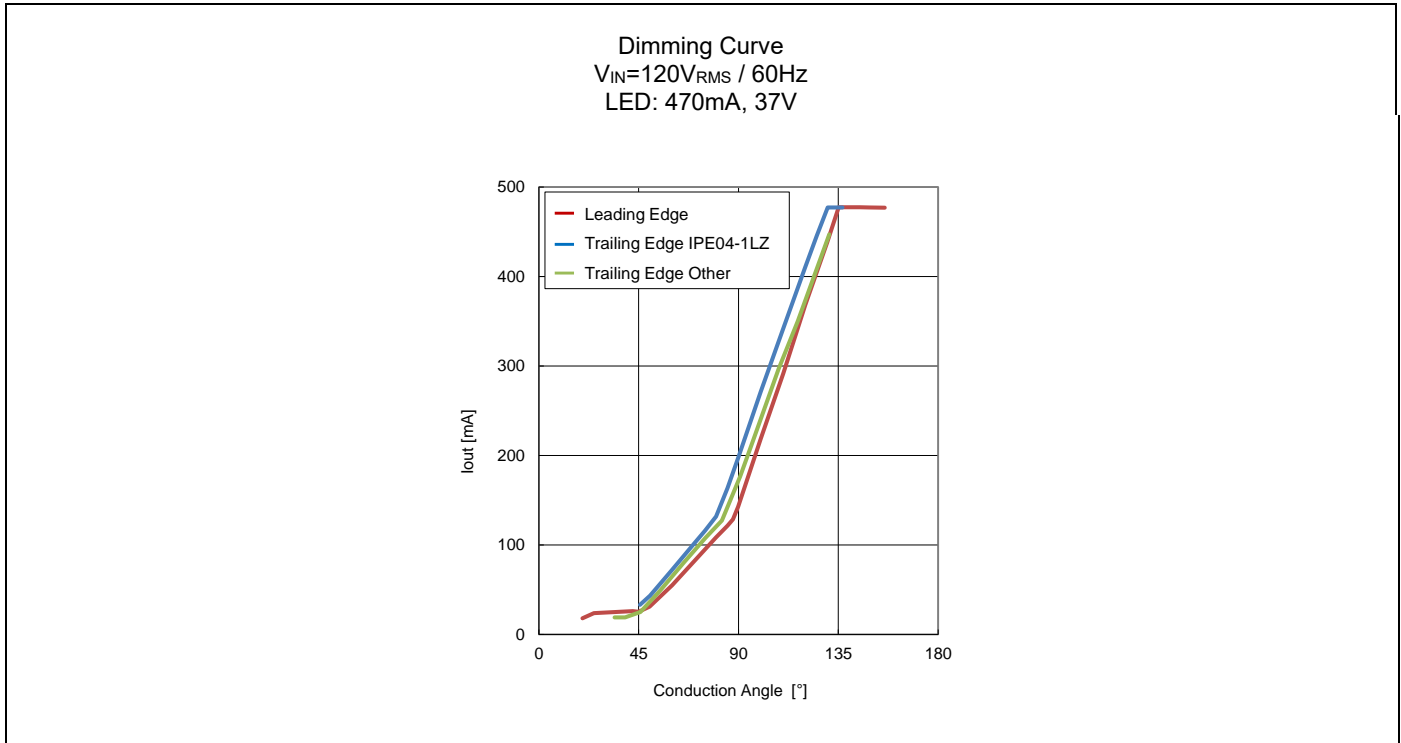


Table 10-3 17W USA Dimmer Performance Data

Dimmer		Input Condition	Type	Minimum Angle (°)	Minimum $I_{OUT}$ (mA)	Maximum Angle (°)	Maximum $I_{OUT}$ (mA)
Vendor	Parts Name						
LEVITON	IPI06-1LZ	$V_{IN}=120V_{RMS}$ 60Hz (USA Dimmer)	Leading Edge	42.3	25.3	156.0	477.5
	6631-LW			21.8	20.1	144.1	470.2
	6641-W			39.1	19.5	147.7	471.5
	6683			35.2	19.5	155.5	468.9
LUTRON	SLV-600-WH			19.7	18.0	135.4	454.2
	S-600P-WH			35.0	19.5	137.6	470.6
	TG-600PH-WH			45.4	19.8	140.4	470.5
	AY-600P-WH			40.2	19.5	143.6	470.6
	GL-600H-DK			25.1	20.0	135.9	457.3
	TG-600PNLH-WH			34.1	19.5	141.0	470.8
	TGCL-153PH-WH			33.3	19.4	135.0	455.4
	TT-300NLH-WH			41.7	19.5	143.2	470.5
	DV-603PG-WH			35.6	19.4	116.4	316.5
	DVCL-153-WH			38.0	19.4	133.9	445.7
	DV603PH-WH			33.0	19.5	136.9	471.2
	LGCL-153PLH-WH			39.3	19.2	133.9	444.4
	D-603PH			24.2	20.0	133.5	439.1
	DV-600PH-WH			32.8	19.3	139.3	470.7
GE	52129			23.8	20.2	157.0	469.8
	18023			36.9	19.4	158.5	469.5
LEVITON	IPE04-1LZ	45.6	33.1	136.9	477.3		
LUTRON	SELV-300P-WH	34.1	19.1	130.9	447.2		
	DVELV-300P-WH	34.1	19.0	131.8	455.2		

Figure 10-5 17W Parts Surface Temperature

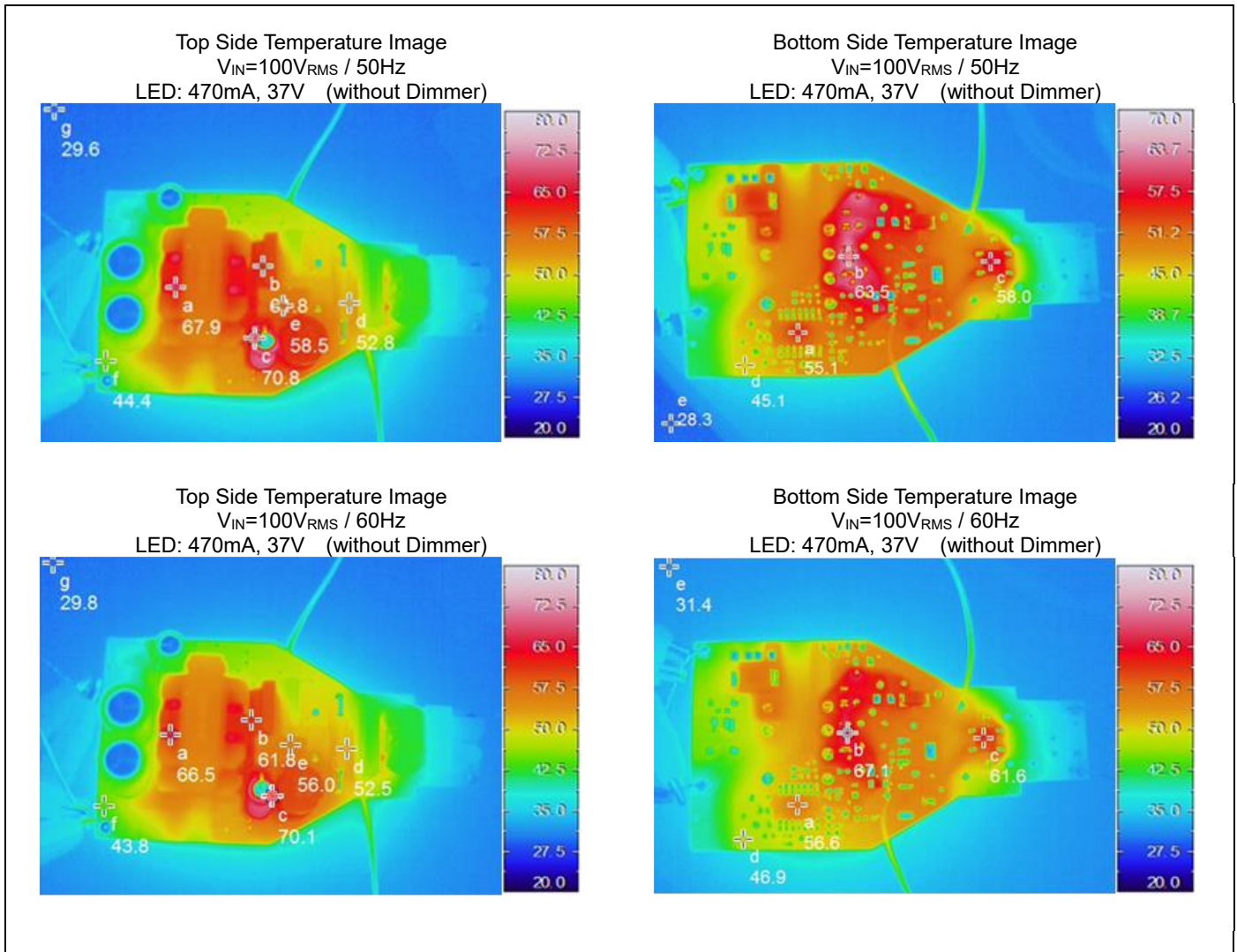


Table 10-4 17W Parts Surface Temperature Data

Side	Cursor Point		Surface Temperature [°C]		ΔTemperature [Δ°C]	
			50Hz	60Hz	50Hz	60Hz
Top	a	T2	68.0	66.5	38.3	36.8
	b	Q1	61.8	61.8	32.2	32.0
	c	R4	70.8	70.1	41.2	40.3
	d	R2	52.8	52.5	23.1	22.8
	e	Q2	58.5	56.0	28.9	26.2
	f	PCB	44.5	43.8	14.8	14.0
	g	Out of PCB	29.6	29.8	-	-
Bottom	a	M1	55.1	56.6	26.8	25.2
	b	Back side of R4	63.5	67.1	35.2	35.8
	c	BR1	58.0	61.6	29.7	30.2
	d	PCB	45.1	46.9	16.7	15.5
	e	Out of PCB	28.3	31.4	-	-

## 11. Usage Precautions

### Do not configure the IC over the maximum ratings.

If the IC is used over the maximum ratings, the LSI may be permanently damaged.

It is preferable for the device to normally operate within the recommended usage conditions. Usage outside of these conditions can have an adverse effect on the reliability of the LSI.

### Use the device within the recommended operating conditions.

The recommended values guarantee the normal LSI operation under the recommended operating conditions.

The electrical ratings are guaranteed when the device is used within the recommended operating conditions and under the conditions stated for each item.

### Take appropriate measures against static electricity.

- Containers for semiconductor materials should have anti-static protection or be made of conductive material.
- After mounting, printed circuit boards should be stored and shipped in conductive bags or containers.
- Work platforms, tools, and instruments should be properly grounded.
- Working personnel should be grounded with resistance of 250 kΩ to 1 MΩ in serial between body and ground.

### Do not apply negative voltages.

The use of negative voltages below - 0.3 V may make the parasitic transistor activated to the LSI, and can cause malfunctions.

## 12. RoHS Compliance Information

This product has observed the standard of lead, cadmium, mercury, Hexavalent chromium, polybrominated biphenyls (PBB), and polybrominated diphenyl ethers (PBDE).

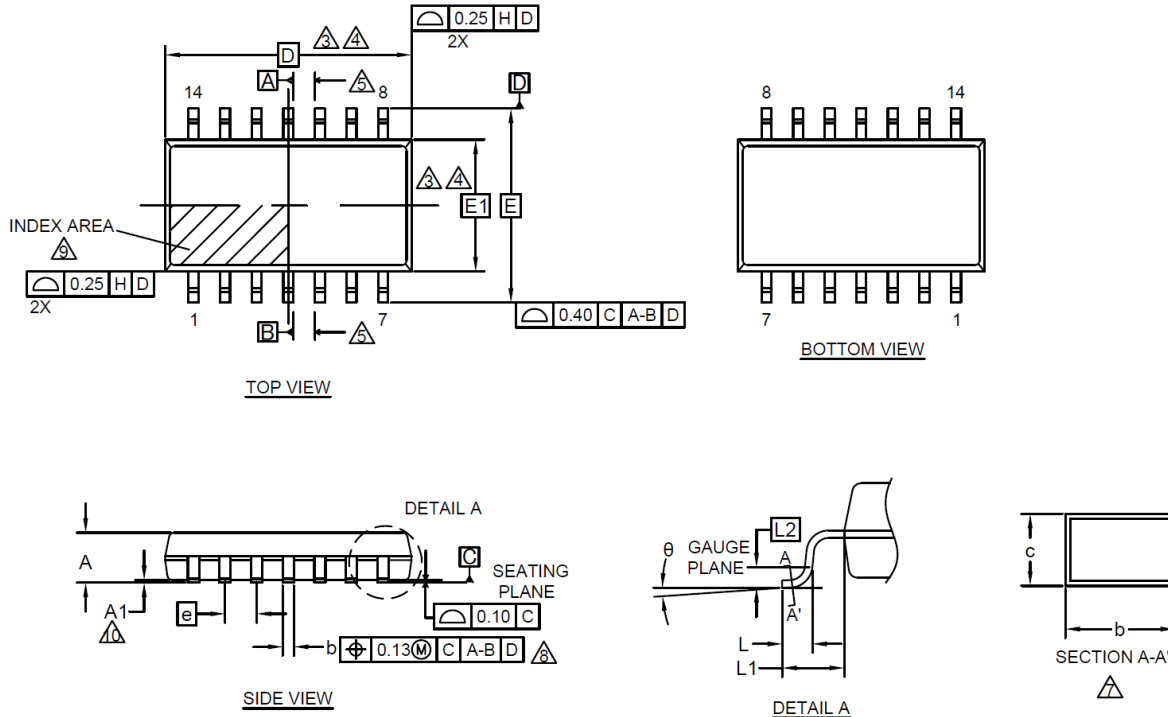
## 13. Ordering Information

Table 13-1 Ordering Information

Part Number	Package	Shipping Form
CY39C603PF-G-JNEFE1	14-pin plastic SOP (SOF014)	Emboss
CY39C603PF-G-JNE1		Tube

### 14. Package Dimensions

Package Code: SOF014



SYMBOL	DIMENSIONS		
	MIN.	NOM.	MAX.
A	—	—	2.25
A1	0.05	—	0.20
D	10.15 BSC		
E	7.80 BSC		
E1	5.30 BSC		
θ	0°	—	8°
c	0.13	—	0.20
b	0.39	0.47	0.55
L	0.45	0.60	0.75
L 1	1.25 REF		
L 2	0.25 BSC		
e	1.27 BSC		

**NOTES**

- ALL DIMENSIONS ARE IN MILLIMETER.
- DIMENSIONING AND TOLERANCING PER ASME Y14.5M-1994.
- DIMENSIONING D INCLUDE MOLD FLASH, DIMENSIONING E1 DOES NOT INCLUDE INTERLEAD FLASH OR PROTRUSION. INTERLEAD FLASH OR PROTRUSIONS SHALL NOT EXCEED 0.025 mm PER SIDE. D and E1 DIMENSION ARE DETERMINED AT DATUM H.
- THE PACKAGE TOP MAY BE SMALLER THAN THE PACKAGE BOTTOM. DIMENSIONING D and E1 ARE DETERMINED AT THE OUTERMOST EXTREMES OF THE PLASTIC BODY EXCLUSIVE OF MOLD FLASH, THE BAR BURRS, GATE BURRS AND INTERLEAD FLASH, BUT INCLUDING ANY MISMATCH BETWEEN THE TOP AND BOTTOM OF THE PLASTIC BODY.
- DATUMS A & B TO BE DETERMINED AT DATUM H.
- "N" IS THE MAXIMUM NUMBER OF TERMINAL POSITIONS FOR THE SPECIFIED PACKAGE LENGTH.
- THE DIMENSION APPLY TO THE FLAT SECTION OF THE LEAD BETWEEN 0.10 mm TO 0.25mm FROM THE LEAD TIP.
- DIMENSION "b" DOES NOT INCLUDE THE DAMBAR PROTRUSION. ALLOWABLE DAMBAR PROTRUSION SHALL BE 0.10mm TOTAL IN EXCESS OF THE "b" DIMENSION AT MAXIMUM MATERIAL CONDITION. THE DAMBAR MAY NOT BE LOCATED ON THE LOWER RADIUS OF THE FOOT.
- THIS CHAMFER FEATURE IS OPTIONAL. IF IT IS NOT PRESENT, THEN A PIN 1 IDENTIFIER MUST BE LOCATED WITHIN THE INDEX AREA INDICATED
- "A1" IS DEFINED AS THE VERTICAL DISTANCE FROM THE SEATING PLANE TO THE LOWEST POINT ON THE PACKAGE BODY EXCLUDING THE LID AND OR THERMAL ENHANCEMENT ON CAVITY DOWN PACKAGE CONFIGURATIONS.
- JEDEC SPECIFICATION NO. REF : N/A

002-15859 Rev. \*\*

## 15. Major Changes

Spancion Publication Number: MB39C603\_DS405-00021

Page	Section	Descriptions
Revision1.0		
-	-	Initial release
Revision2.0		
7	7. Absolute Maximum Ratings	Removed ESD Voltage (Machine Model) from Table 7-1

**NOTE:** Please see “Document History” about later revised information.

## Document History

Document Title: CY39C603 Phase Dimmable PSR LED Driver IC for LED Lighting  
 Document Number: 002-08450

Revision	ECN	Orig. of Change	Submission Date	Description of Change
**	-	TOYO	02/20/2015	Migrated to Cypress and assigned document number 002-08450. No change to document contents or format.
*A	5211117	TOYO	04/07/2016	Updated to Cypress format.
*B	5742340	HIXT	05/22/2017	Updated <a href="#">Pin Assignment</a> : Change the package name from FPT-14P-M04 to SOF014 Added <a href="#">RoHS Compliance Information</a> Updated <a href="#">Ordering Information</a> : Change the package name from FPT-14P-M04 to SOF014 Deleted "Marking Format" Deleted "Recommended Mounting Condition [JEDEC Level3] Lead Free" Updated <a href="#">Package Dimensions</a> : Updated to Cypress format
*C	6437385	ATTS	01/10/2019	Changed part number to CY39C603

## Sales, Solutions, and Legal Information

### Worldwide Sales and Design Support

Cypress maintains a worldwide network of offices, solution centers, manufacturer's representatives, and distributors. To find the office closest to you, visit us at [Cypress Locations](#).

#### Products

Arm® Cortex® Microcontrollers	<a href="http://cypress.com/arm">cypress.com/arm</a>
Automotive	<a href="http://cypress.com/automotive">cypress.com/automotive</a>
Clocks & Buffers	<a href="http://cypress.com/clocks">cypress.com/clocks</a>
Interface	<a href="http://cypress.com/interface">cypress.com/interface</a>
Internet of Things	<a href="http://cypress.com/iot">cypress.com/iot</a>
Memory	<a href="http://cypress.com/memory">cypress.com/memory</a>
Microcontrollers	<a href="http://cypress.com/mcu">cypress.com/mcu</a>
PSoC	<a href="http://cypress.com/psoc">cypress.com/psoc</a>
Power Management ICs	<a href="http://cypress.com/pmic">cypress.com/pmic</a>
Touch Sensing	<a href="http://cypress.com/touch">cypress.com/touch</a>
USB Controllers	<a href="http://cypress.com/usb">cypress.com/usb</a>
Wireless Connectivity	<a href="http://cypress.com/wireless">cypress.com/wireless</a>

#### PSoC® Solutions

[PSoC 1](#) | [PSoC 3](#) | [PSoC 4](#) | [PSoC 5LP](#) | [PSoC 6 MCU](#)

#### Cypress Developer Community

[Community](#) | [Projects](#) | [Videos](#) | [Blogs](#) | [Training](#) | [Components](#)

#### Technical Support

[cypress.com/support](http://cypress.com/support)

Arm and Cortex are registered trademarks of Arm Limited (or its subsidiaries) in the US and/or elsewhere.

© Cypress Semiconductor Corporation, 2014-2019. This document is the property of Cypress Semiconductor Corporation and its subsidiaries, including Spansion LLC ("Cypress"). This document, including any software or firmware included or referenced in this document ("Software"), is owned by Cypress under the intellectual property laws and treaties of the United States and other countries worldwide. Cypress reserves all rights under such laws and treaties and does not, except as specifically stated in this paragraph, grant any license under its patents, copyrights, trademarks, or other intellectual property rights. If the Software is not accompanied by a license agreement and you do not otherwise have a written agreement with Cypress governing the use of the Software, then Cypress hereby grants you a personal, non-exclusive, nontransferable license (without the right to sublicense) (1) under its copyright rights in the Software (a) for Software provided in source code form, to modify and reproduce the Software solely for use with Cypress hardware products, only internally within your organization, and (b) to distribute the Software in binary code form externally to end users (either directly or indirectly through resellers and distributors), solely for use on Cypress hardware product units, and (2) under those claims of Cypress's patents that are infringed by the Software (as provided by Cypress, unmodified) to make, use, distribute, and import the Software solely for use with Cypress hardware products. Any other use, reproduction, modification, translation, or compilation of the Software is prohibited.

TO THE EXTENT PERMITTED BY APPLICABLE LAW, CYPRESS MAKES NO WARRANTY OF ANY KIND, EXPRESS OR IMPLIED, WITH REGARD TO THIS DOCUMENT OR ANY SOFTWARE OR ACCOMPANYING HARDWARE, INCLUDING, BUT NOT LIMITED TO, THE IMPLIED WARRANTIES OF MERCHANTABILITY AND FITNESS FOR A PARTICULAR PURPOSE. No computing device can be absolutely secure. Therefore, despite security measures implemented in Cypress hardware or software products, Cypress does not assume any liability arising out of any security breach, such as unauthorized access to or use of a Cypress product. In addition, the products described in these materials may contain design defects or errors known as errata which may cause the product to deviate from published specifications. To the extent permitted by applicable law, Cypress reserves the right to make changes to this document without further notice. Cypress does not assume any liability arising out of the application or use of any product or circuit described in this document. Any information provided in this document, including any sample design information or programming code, is provided only for reference purposes. It is the responsibility of the user of this document to properly design, program, and test the functionality and safety of any application made of this information and any resulting product. Cypress products are not designed, intended, or authorized for use as critical components in systems designed or intended for the operation of weapons, weapons systems, nuclear installations, life-support devices or systems, other medical devices or systems (including resuscitation equipment and surgical implants), pollution control or hazardous substances management, or other uses where the failure of the device or system could cause personal injury, death, or property damage ("Unintended Uses"). A critical component is any component of a device or system whose failure to perform can be reasonably expected to cause the failure of the device or system, or to affect its safety or effectiveness. Cypress is not liable, in whole or in part, and you shall hereby do release Cypress from any claim, damage, or other liability arising from or related to all Unintended Uses of Cypress products. You shall indemnify and hold Cypress harmless from and against all claims, costs, damages, and other liabilities, including claims for personal injury or death, arising from or related to any Unintended Uses of Cypress products.

Cypress, the Cypress logo, Spansion, the Spansion logo, and combinations thereof, WICED, PSoC, CapSense, EZ-USB, F-RAM, and Traveo are trademarks or registered trademarks of Cypress in the United States and other countries. For a more complete list of Cypress trademarks, visit [cypress.com](http://cypress.com). Other names and brands may be claimed as property of their respective owners.



Компания «Океан Электроники» предлагает заключение долгосрочных отношений при поставках импортных электронных компонентов на взаимовыгодных условиях!

Наши преимущества:

- Поставка оригинальных импортных электронных компонентов напрямую с производств Америки, Европы и Азии, а так же с крупнейших складов мира;
- Широкая линейка поставок активных и пассивных импортных электронных компонентов (более 30 млн. наименований);
- Поставка сложных, дефицитных, либо снятых с производства позиций;
- Оперативные сроки поставки под заказ (от 5 рабочих дней);
- Экспресс доставка в любую точку России;
- Помощь Конструкторского Отдела и консультации квалифицированных инженеров;
- Техническая поддержка проекта, помощь в подборе аналогов, поставка прототипов;
- Поставка электронных компонентов под контролем ВП;
- Система менеджмента качества сертифицирована по Международному стандарту ISO 9001;
- При необходимости вся продукция военного и аэрокосмического назначения проходит испытания и сертификацию в лаборатории (по согласованию с заказчиком);
- Поставка специализированных компонентов военного и аэрокосмического уровня качества (Xilinx, Altera, Analog Devices, Intersil, Interpoint, Microsemi, Actel, Aeroflex, Peregrine, VPT, Syfer, Eurofarad, Texas Instruments, MS Kennedy, Miteq, Cobham, E2V, MA-COM, Hittite, Mini-Circuits, General Dynamics и др.);

Компания «Океан Электроники» является официальным дистрибьютором и эксклюзивным представителем в России одного из крупнейших производителей разъемов военного и аэрокосмического назначения «**JONHON**», а так же официальным дистрибьютором и эксклюзивным представителем в России производителя высокотехнологичных и надежных решений для передачи СВЧ сигналов «**FORSTAR**».



## JONHON

«**JONHON**» (основан в 1970 г.)

Разъемы специального, военного и аэрокосмического назначения:

(Применяются в военной, авиационной, аэрокосмической, морской, железнодорожной, горно- и нефтедобывающей отраслях промышленности)

«**FORSTAR**» (основан в 1998 г.)

ВЧ соединители, коаксиальные кабели, кабельные сборки и микроволновые компоненты:

(Применяются в телекоммуникациях гражданского и специального назначения, в средствах связи, РЛС, а так же военной, авиационной и аэрокосмической отраслях промышленности).



Телефон: 8 (812) 309-75-97 (многоканальный)

Факс: 8 (812) 320-03-32

Электронная почта: [ocean@oceanchips.ru](mailto:ocean@oceanchips.ru)

Web: <http://oceanchips.ru/>

Адрес: 198099, г. Санкт-Петербург, ул. Калинина, д. 2, корп. 4, лит. А