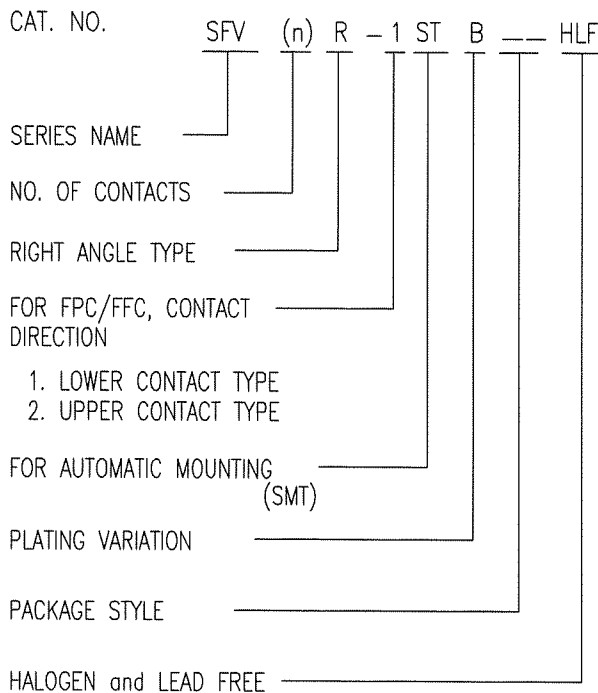




CAT. NO. & DIMENSIONS

| NO. OF CONTACTS (n) | CAT. NO.           | DIMENSIONS (NOTE2) |         |         |         |
|---------------------|--------------------|--------------------|---------|---------|---------|
|                     |                    | A ± 0.2            | B ± 0.2 | C ± 0.1 | D ± 0.1 |
| 4                   | SFV4R-1/2STB__HLF  | 7.5                | 5.9     | 1.5     | 2.7     |
| 5                   | SFV5R-1/2STB__HLF  | 8.0                | 6.4     | 2.0     | 3.2     |
| 6                   | SFV6R-1/2STB__HLF  | 8.5                | 6.9     | 2.5     | 3.7     |
| 7                   | SFV7R-1/2STB__HLF  | 9.0                | 7.4     | 3.0     | 4.2     |
| 8                   | SFV8R-1/2STB__HLF  | 9.5                | 7.9     | 3.5     | 4.7     |
| 9                   | SFV9R-1/2STB__HLF  | 10.0               | 8.4     | 4.0     | 5.2     |
| 10                  | SFV10R-1/2STB__HLF | 10.5               | 8.9     | 4.5     | 5.7     |
| 11                  | SFV11R-1/2STB__HLF | 11.0               | 9.4     | 5.0     | 6.2     |
| 12                  | SFV12R-1/2STB__HLF | 11.5               | 9.9     | 5.5     | 6.7     |
| 13                  | SFV13R-1/2STB__HLF | 12.0               | 10.4    | 6.0     | 7.2     |
| 14                  | SFV14R-1/2STB__HLF | 12.5               | 10.9    | 6.5     | 7.7     |
| 15                  | SFV15R-1/2STB__HLF | 13.0               | 11.4    | 7.0     | 8.2     |
| 16                  | SFV16R-1/2STB__HLF | 13.5               | 11.9    | 7.5     | 8.7     |
| 17                  | SFV17R-1/2STB__HLF | 14.0               | 12.4    | 8.0     | 9.2     |
| 18                  | SFV18R-1/2STB__HLF | 14.5               | 12.9    | 8.5     | 9.7     |
| 19                  | SFV19R-1/2STB__HLF | 15.0               | 13.4    | 9.0     | 10.2    |
| 20                  | SFV20R-1/2STB__HLF | 15.5               | 13.9    | 9.5     | 10.7    |
| 21                  | SFV21R-1/2STB__HLF | 16.0               | 14.4    | 10.0    | 11.2    |
| 22                  | SFV22R-1/2STB__HLF | 16.5               | 14.9    | 10.5    | 11.7    |
| 23                  | SFV23R-1/2STB__HLF | 17.0               | 15.4    | 11.0    | 12.2    |
| 24                  | SFV24R-1/2STB__HLF | 17.5               | 15.9    | 11.5    | 12.7    |
| 25                  | SFV25R-1/2STB__HLF | 18.0               | 16.4    | 12.0    | 13.2    |
| 26                  | SFV26R-1/2STB__HLF | 18.5               | 16.9    | 12.5    | 13.7    |
| 27                  | SFV27R-1/2STB__HLF | 19.0               | 17.4    | 13.0    | 14.2    |
| 28                  | SFV28R-1/2STB__HLF | 19.5               | 17.9    | 13.5    | 14.7    |
| 29                  | SFV29R-1/2STB__HLF | 20.0               | 18.4    | 14.0    | 15.2    |
| 30                  | SFV30R-1/2STB__HLF | 20.5               | 18.9    | 14.5    | 15.7    |
| 31                  | SFV31R-1/2STB__HLF | 21.0               | 19.4    | 15.0    | 16.2    |
| 32                  | SFV32R-1/2STB__HLF | 21.5               | 19.9    | 15.5    | 16.7    |
| 33                  | SFV33R-1/2STB__HLF | 22.0               | 20.4    | 16.0    | 17.2    |
| 34                  | SFV34R-1/2STB__HLF | 22.5               | 20.9    | 16.5    | 17.7    |
| 35                  | SFV35R-1/2STB__HLF | 23.0               | 21.4    | 17.0    | 18.2    |



NOTES

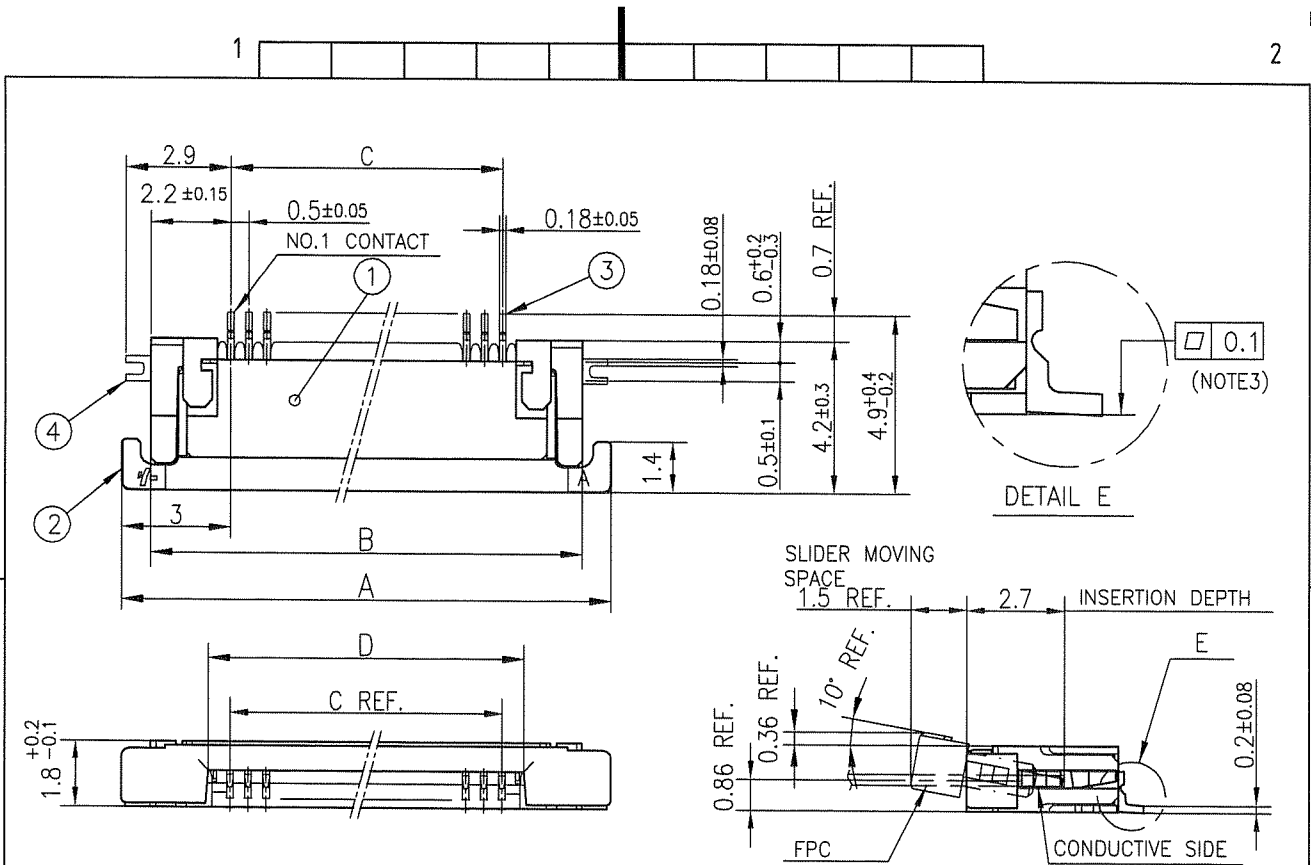
1. THIS PRODUCT IS THE CONNECTOR USED FOR FPC AND COPEES WITH AUTOMATIC MOUNTING (SMT).
2. SEE PART DRAWINGS FOR DIMENSIONS A~D.



FCIconnect.com

Copyright FCI.

|             |  |  |  |  |  |   |  |            |  |                     |  |   |  |
|-------------|--|--|--|--|--|---|--|------------|--|---------------------|--|---|--|
| mat'l. code |  |  |  | surface ISO 1302 <input checked="" type="checkbox"/> |  | tolerance ISO 406 <input checked="" type="checkbox"/> |  | projection |  | product family 58EF |  | CODE JP   |  |
| ltr         |  |  |  | ecn no   |  | dr  |  | date       |  | title               |  | CAT. NO. TABLE FOR 0.5 mm CONTACT SPACING CONNECTOR (Cat. No. : SFV__R-1/2STB__HLF) |  |
| A           |  |  |  |  |  |   |  |            |  | mm                  |  |   |  |
|             |  |  |  | angles   |  | linear  |  | scale X    |  | dwg no              |  | sheet 2 of 9 size A4  |  |
|             |  |  |  | dr   |  | 2011-3-8  |  | engr       |  | 10117738            |  |   |  |
|             |  |  |  | chr  |  | 2011-3-8  |  | appd       |  | type                |  | Product Customer Drawing  |  |
| sheet index |  |  |  | revision sheet                                       |  |   |  |            |  |                     |  | Rev. A  |  |

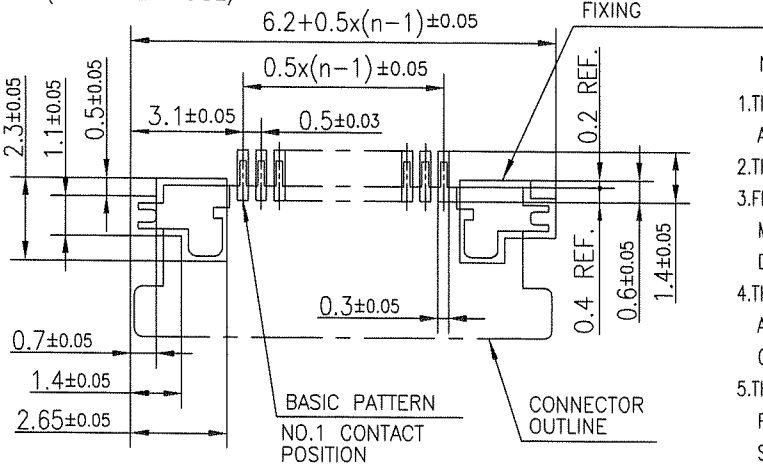


| PT. NO. | PARTS NAME     | MATERIAL   | Q'TY | NOTE                         |
|---------|----------------|--|------|------------------------------|
| 1       | HOUSING        | 13~35pin : LCP RESIN GLASS REINFORCED (UL94V-0)      | 1    | COLOR : BLACK (HALOGEN FREE) |
|         |                | 4~12pin : POLYAMIDE RESIN GLASS REINFORCED (UL94V-0) |      |                              |
| 2       | SLIDER         | PPS RESIN GLASS REINFORCED (UL94V-0)                 | 1    | COLOR : BLACK (HALOGEN FREE) |
| 3       | CONTACT        | PHOSPHOR BRONZE                                      | n    | PLATING : GOLD               |
| 4       | MOUNTING PLATE |  | 2    | PLATING : LEAD FREE          |

RECOMMENDED PC BOARD LAYOUT  
(COMPONENT SIDE)

PATTERN FOR MOUNTING PLATE  
FIXING

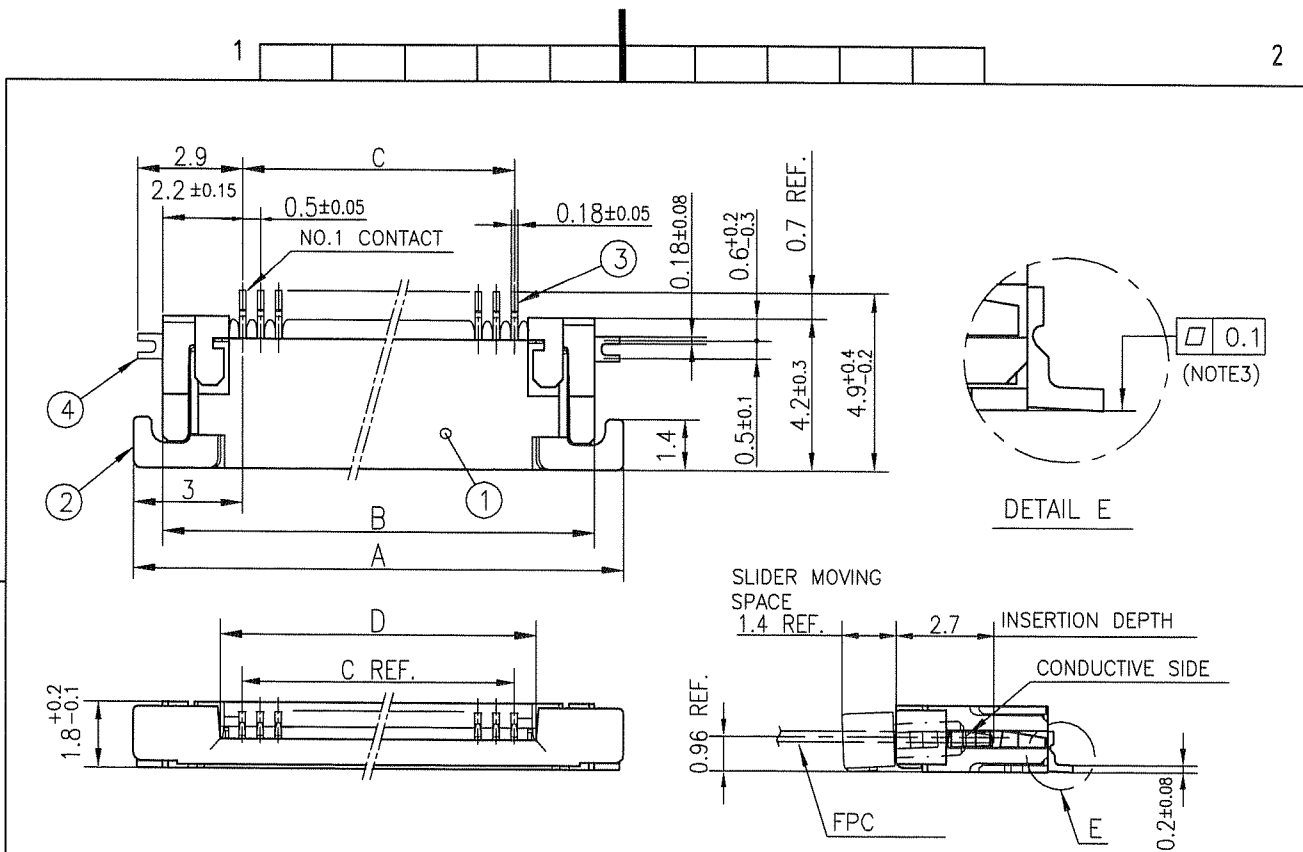
n : NO. OF CONTACTS



NOTES

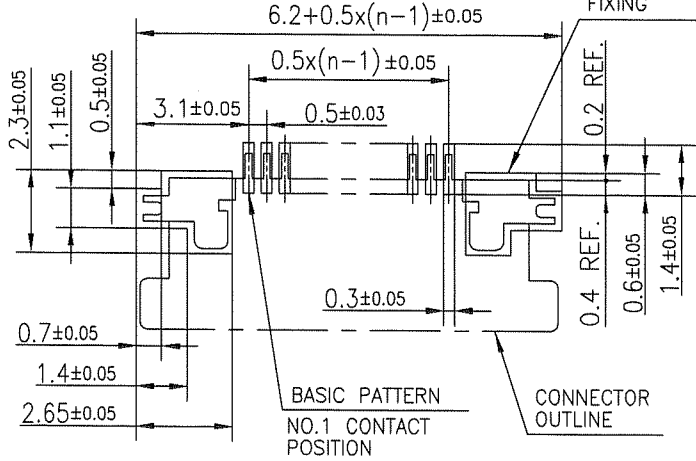
1. THIS PRODUCT IS THE CONNECTOR USED FOR FPC AND COPE WITH AUTOMATIC MOUNTING (SMT).
2. THIS PRODUCT IS LOWER CONTACT TYPE CONNECTOR.
3. FLATNESS OF CONTACT TERMINAL AND MOUNTING PLATE MUST BE WITHIN TOLERANCE IN E PORTION DETAILED DRAWING.
4. THIS PRODUCT MEETS EUROPEAN UNION DIRECTIVES AND OTHER COUNTRY REGULATIONS AS DESCRIBED IN GS-22-008.
5. THE HOUSING WILL WITHSTAND EXPOSURE TO 260°C PEAK TEMPERATURE FOR 10 SECONDS IN A REFLOW SOLDERING OVEN.

|                |  |  |  |  |  |                                  |  |                  |  |  |  |              |  |
|----------------|--|--|--|--|--|----------------------------------|--|------------------|--|--|--|--------------|--|
| mat'l. code    |  |  |  | surface<br>ISO 1302 ✓<br>tolerances unless otherwise specified |  | tolerance<br>ISO 406<br>ISO 1101 |  | projection<br>mm |  | product family<br>58EF   |  | CODE<br>JP   |  |
| ltr            |  |  |  | angles   |  | linear                           |  | scale            |  | title<br>CONNECTOR USED FOR FPC WITH 0.5 mm CONTACT SPACING (Cat No. : SFV__R-1STB__HLF) |  |              |  |
| A              |  |  |  |  |  |                                  |  |                  |  | dwg no<br>10117738   |  |              |  |
| ecn no         |  |  |  | dr   |  | engr                             |  | chr              |  | appd   |  | sheet 3 of 9 |  |
| date           |  |  |  | 2011-3-8   |  | 2011-3-8                         |  | 2011-3-8         |  | Mar 8 11   |  | size<br>A4   |  |
| revision sheet |  |  |  |  |  |                                  |  |                  |  | type<br>Product Customer Drawing   |  | Rev.<br>A    |  |



| PT. NO. | PARTS NAME     | MATERIAL   | Q'TY | NOTE                         |
|---------|----------------|--|------|------------------------------|
| 1       | HOUSING        | 13~35pin : LCP RESIN GLASS REINFORCED (UL94V-0)      | 1    | COLOR : BLACK (HALOGEN FREE) |
|         |                | 4~12pin : POLYAMIDE RESIN GLASS REINFORCED (UL94V-0) |      |                              |
| 2       | SLIDER         | PPS RESIN GLASS REINFORCED (UL94V-0)                 | 1    | COLOR : BLACK (HALOGEN FREE) |
| 3       | CONTACT        | PHOSPHOR BRONZE                                      | n    | PLATING : GOLD               |
| 4       | MOUNTING PLATE |  | 2    | PLATING : LEAD FREE          |

RECOMMENDED PC BOARD LAYOUT  
(COMPONENT SIDE)



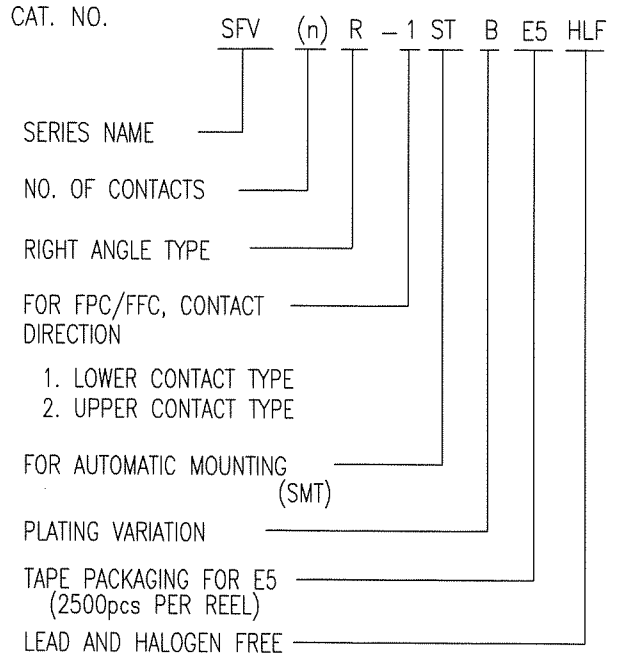
n : NO. OF CONTACTS

- NOTES
1. THIS PRODUCT IS THE CONNECTOR USED FOR FPC AND COPES WITH AUTOMATIC MOUNTING (SMT).
  2. THIS PRODUCT IS UPPER CONTACT TYPE CONNECTOR.
  3. FLATNESS OF CONTACT TERMINAL AND MOUNTING PLATE MUST BE WITHIN TOLERANCE IN E PORTION DETAILED DRAWING.
  4. THIS PRODUCT MEETS EUROPEAN UNION DIRECTIVES AND OTHER COUNTRY REGULATIONS AS DESCRIBED IN GS-22-008.
  5. THE HOUSING WILL WITHSTAND EXPOSURE TO 260°C PEAK TEMPERATURE FOR 10 SECONDS IN A REFLOW SOLDERING OVEN.

|                    |  |                |  |                                       |  |                                  |  |                  |  |  |  |                         |  |
|--------------------|--|----------------|--|---------------------------------------|--|----------------------------------|--|------------------|--|--|--|-------------------------|--|
| mat'l. code        |  |                |  | surface<br>ISO 1302 ✓                 |  | tolerance<br>ISO 406<br>ISO 1101 |  | projection<br>mm |  | product family<br>58EF   |  | CODE<br>JP              |  |
| ltr ecn no dr date |  |                |  | tolerances unless otherwise specified |  |                                  |  | mm               |  | title<br>CONNECTOR USED FOR FPC WITH 0.5 mm CONTACT SPACING<br>(Cat. No. : SFV__R-2STB__HLF) |  |                         |  |
| A                  |  |                |  | angles                                |  | linear ±0.2                      |  | scale X          |  | dwg no<br>10117738   |  | sheet 4 of 9 size<br>A4 |  |
|                    |  |                |  | dr                                    |  | S. Watanabe 2011-3-8             |  | FCJ              |  | type Product Customer Drawing  |  |                         |  |
|                    |  |                |  | enr                                   |  | S. Watanabe 2011-3-8             |  |                  |  |  |  |                         |  |
|                    |  |                |  | chr                                   |  | S. Watanabe 2011-3-8             |  |                  |  |  |  |                         |  |
|                    |  |                |  | appd                                  |  | M. Watanabe Mar 8 11             |  |                  |  |  |  |                         |  |
| sheet index        |  | revision sheet |  |                                       |  |                                  |  |                  |  |  |  | Rev. A                  |  |

CAT. NO. & DIMENSIONS

| NO. OF CONTACTS (n) | CAT. NO.           | DIMENSIONS (NOTE3) |         |         |
|---------------------|--------------------|--------------------|---------|---------|
|                     |                    | F MAX.             | G ± 0.3 | H ± 0.1 |
| 4                   | SFV4R-1/2STBE5HLF  | 22.4               | 16      | —       |
| 5                   | SFV5R-1/2STBE5HLF  | 22.4               | 16      | —       |
| 6                   | SFV6R-1/2STBE5HLF  | 22.4               | 16      | —       |
| 7                   | SFV7R-1/2STBE5HLF  | 30.4               | 24      | —       |
| 8                   | SFV8R-1/2STBE5HLF  | 30.4               | 24      | —       |
| 9                   | SFV9R-1/2STBE5HLF  | 30.4               | 24      | —       |
| 10                  | SFV10R-1/2STBE5HLF | 30.4               | 24      | —       |
| 11                  | SFV11R-1/2STBE5HLF | 30.4               | 24      | —       |
| 12                  | SFV12R-1/2STBE5HLF | 30.4               | 24      | —       |
| 13                  | SFV13R-1/2STBE5HLF | 30.4               | 24      | —       |
| 14                  | SFV14R-1/2STBE5HLF | 30.4               | 24      | —       |
| 15                  | SFV15R-1/2STBE5HLF | 30.4               | 24      | —       |
| 16                  | SFV16R-1/2STBE5HLF | 30.4               | 24      | —       |
| 17                  | SFV17R-1/2STBE5HLF | 30.4               | 24      | —       |
| 18                  | SFV18R-1/2STBE5HLF | 30.4               | 24      | —       |
| 19                  | SFV19R-1/2STBE5HLF | 30.4               | 24      | —       |
| 20                  | SFV20R-1/2STBE5HLF | 30.4               | 24      | —       |
| 21                  | SFV21R-1/2STBE5HLF | 30.4               | 24      | —       |
| 22                  | SFV22R-1/2STBE5HLF | 30.4               | 24      | —       |
| 23                  | SFV23R-1/2STBE5HLF | 38.4               | 32      | 28.4    |
| 24                  | SFV24R-1/2STBE5HLF | 38.4               | 32      | 28.4    |
| 25                  | SFV25R-1/2STBE5HLF | 38.4               | 32      | 28.4    |
| 26                  | SFV26R-1/2STBE5HLF | 38.4               | 32      | 28.4    |
| 27                  | SFV27R-1/2STBE5HLF | 38.4               | 32      | 28.4    |
| 28                  | SFV28R-1/2STBE5HLF | 38.4               | 32      | 28.4    |
| 29                  | SFV29R-1/2STBE5HLF | 38.4               | 32      | 28.4    |
| 30                  | SFV30R-1/2STBE5HLF | 38.4               | 32      | 28.4    |
| 31                  | SFV31R-1/2STBE5HLF | 50.4               | 44      | 40.4    |
| 32                  | SFV32R-1/2STBE5HLF | 50.4               | 44      | 40.4    |
| 33                  | SFV33R-1/2STBE5HLF | 50.4               | 44      | 40.4    |
| 34                  | SFV34R-1/2STBE5HLF | 50.4               | 44      | 40.4    |
| 35                  | SFV35R-1/2STBE5HLF | 50.4               | 44      | 40.4    |



NOTES

1. THIS PRODUCT IS THE CONNECTOR USED FOR FPC AND COPES WITH AUTOMATIC MOUNTING (SMT).
2. THIS CATALOG NO. INDICATES PLASTIC TAPE PACKAGED CONNECTOR.
3. SEE PART DRAWINGS FOR DIMENSIONS F~H.

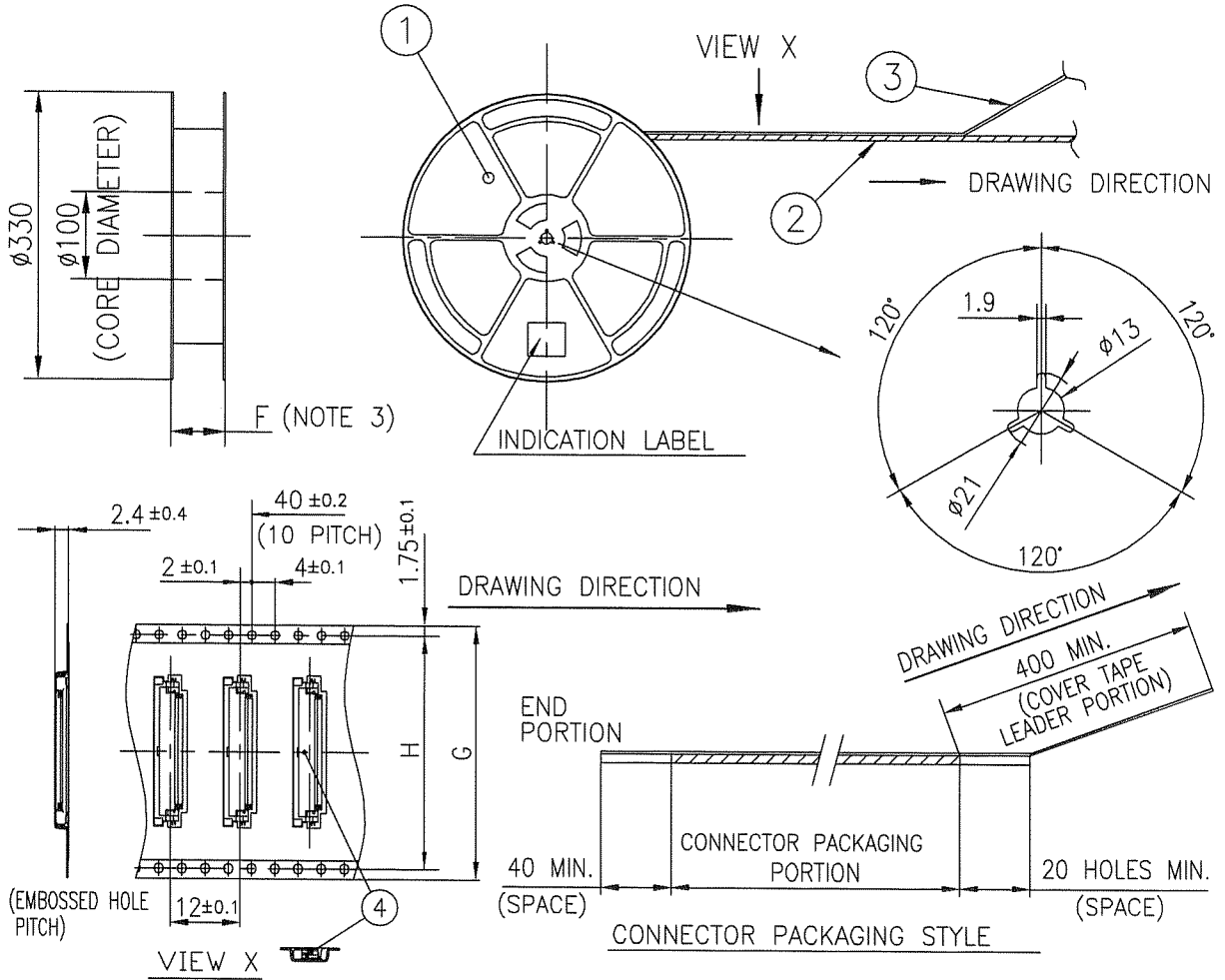


FCIconnect.com

Copyright FCI.

|             |  |                |  |                    |  |                            |  |                                       |  |                               |  |   |  |
|-------------|--|----------------|--|--------------------|--|----------------------------|--|---------------------------------------|--|-------------------------------|--|---|--|
| mat'l. code |  |                |  | surface ISO 1302 ✓ |  | tolerance ISO 406 ISO 1101 |  | projection                            |  | product family 58EF           |  | CODE JP   |  |
| ltr         |  | ecn no         |  | dr                 |  | date                       |  | tolerances unless otherwise specified |  | title                         |  |   |  |
| A           |  |                |  |                    |  |                            |  | angles linear                         |  | mm                            |  | CAT. NO. TABLE FOR PLASTIC TAPE PACKAGED 0.5 mm CONTACT SPACING CONNECTOR (Cat. No. : SFV__R-1/2STBE5HLF) |  |
|             |  |                |  |                    |  |                            |  | dr                                    |  | scale X                       |  | dwg no sheet 5 of 9 size  |  |
|             |  |                |  |                    |  |                            |  | enr                                   |  |                               |  | 10117738 A4   |  |
|             |  |                |  |                    |  |                            |  | chr                                   |  | type Product Customer Drawing |  |   |  |
|             |  |                |  |                    |  |                            |  | appd                                  |  |                               |  | Rev. A  |  |
| sheet index |  | revision sheet |  |                    |  |                            |  |                                       |  |                               |  |   |  |

TOLERANCES  
UNLESS OTHERWISE SPECIFIED :  $\pm 5$ , ANGLE  $\pm 5^\circ$



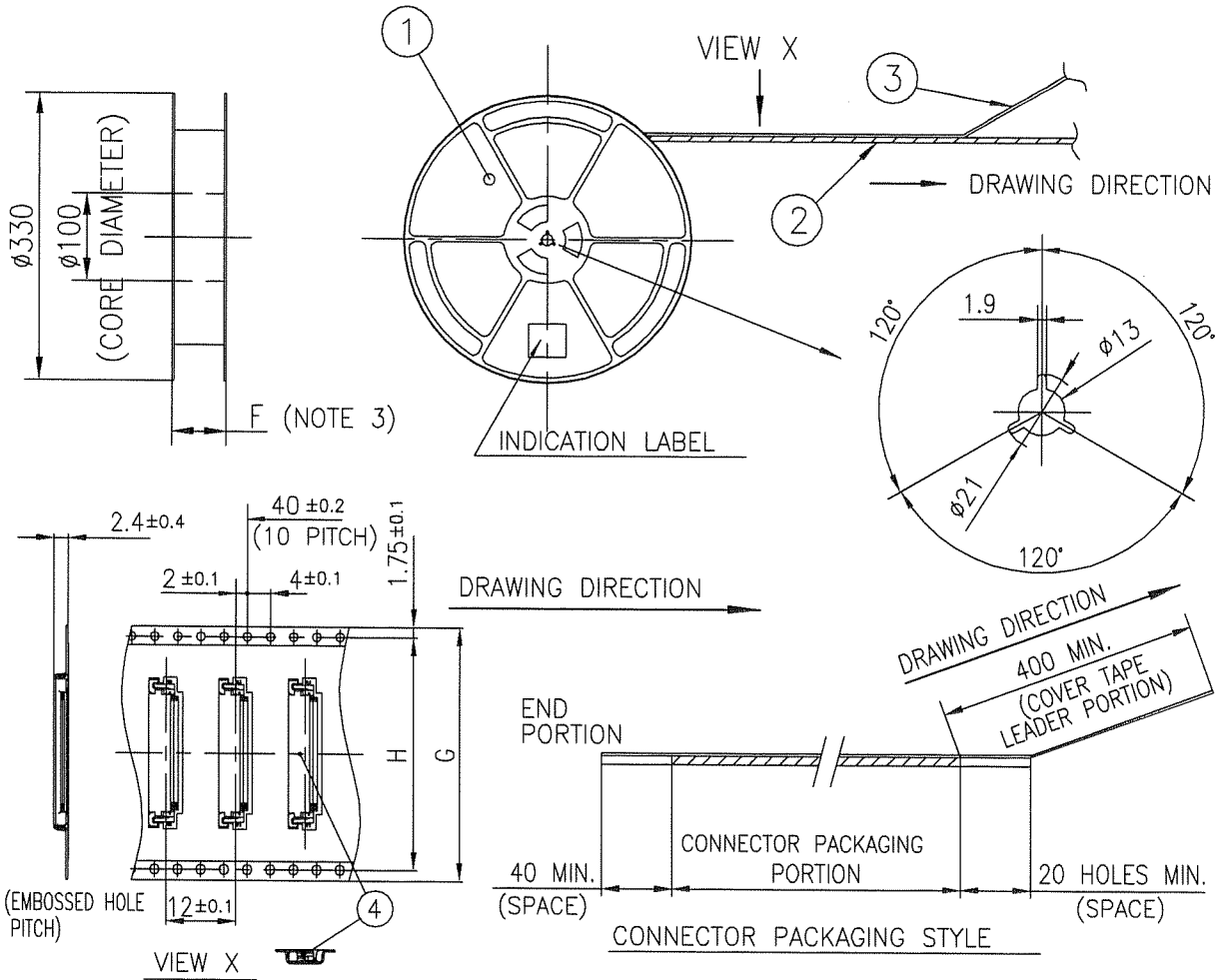
| PT. NO. | PARTS NAME            | CAT. NO.       | MATERIAL          | Q'TY  | NOTE                 |
|---------|-----------------------|----------------|-------------------|-------|----------------------|
| 1       | REEL                  | _____          | POLYSTYRENE       | 1     | COLOR : BLACK        |
| 2       | PLASTIC (EMBOSS) TAPE | _____          | A-PET             | _____ | COLOR : TRANSPARENCY |
| 3       | COVER                 | _____          | POLYESTER         | _____ | COLOR : TRANSPARENCY |
| 4       | CONNECTOR             | SFV_R-1STB_HLF | SEE ATTACHED DWG. | 2500  | LOWER CONTACT TYPE   |

NOTES

- THIS IS PLASTIC TAPE PACKAGED CONNECTOR USED FOR FPC AND COPEES WITH AUTOMATIC MOUNTING (SMT).
- SEE JIS C 0806 (PACKING OF ELECTRONIC COMPONENTS ON CONTINUOUS TAPES (SURFACE MOUNTING DEVICES)) FOR SHAPE AND DIMENSIONS OF PLASTIC (EMBOSS) TAPE AND REEL.
- F DIMENSION IS PORTION OF THE CORE.

|             |        |                    |      |                                       |        |            |  |   |  |              |  |
|-------------|--------|--------------------|------|---------------------------------------|--------|------------|--|---|--|--------------|--|
| mat'l. code |        | surface ISO 1302 ✓ |      | tolerance ISO 406 ISO 1101            |        | projection |  | product family 58EF   |  | CODE JP      |  |
| ltr         | ecn no | dr                 | date | tolerances unless otherwise specified |        | mm         |  | title   |  |              |  |
| A           |        |                    |      | angles                                | linear | mm         |  | PLASTIC TAPE PACKAGED<br>0.5 mm CONTACT SPACING CONNECTOR<br>(Cat. No. : SFV_R-1STBE5HLF) |  |              |  |
|             |        |                    |      |                                       |        | scale X    |  | dwg no  |  | sheet 6 of 9 |  |
|             |        |                    |      |                                       |        | FCJ        |  | 10117738  |  | size A4      |  |
|             |        |                    |      |                                       |        |            |  | type Product Customer Drawing   |  |              |  |
| sheet index |        | revision sheet     |      |                                       |        |            |  |   |  | Rev. A       |  |

TOLERANCES  
UNLESS OTHERWISE SPECIFIED : ±5, ANGLE ±5°



| PT. NO. | PARTS NAME            | CAT. NO.        | MATERIAL          | Q'TY  | NOTE                 |
|---------|-----------------------|-----------------|-------------------|-------|----------------------|
| 1       | REEL                  | _____           | POLYSTYRENE       | 1     | COLOR : BLACK        |
| 2       | PLASTIC (EMBOSS) TAPE | _____           | A-PET             | _____ | COLOR : TRANSPARENCY |
| 3       | COVER                 | _____           | POLYESTER         | _____ | COLOR : TRANSPARENCY |
| 4       | CONNECTOR             | SFV__R-2STB_HLF | SEE ATTACHED DWG. | 2500  | UPPER CONTACT TYPE   |

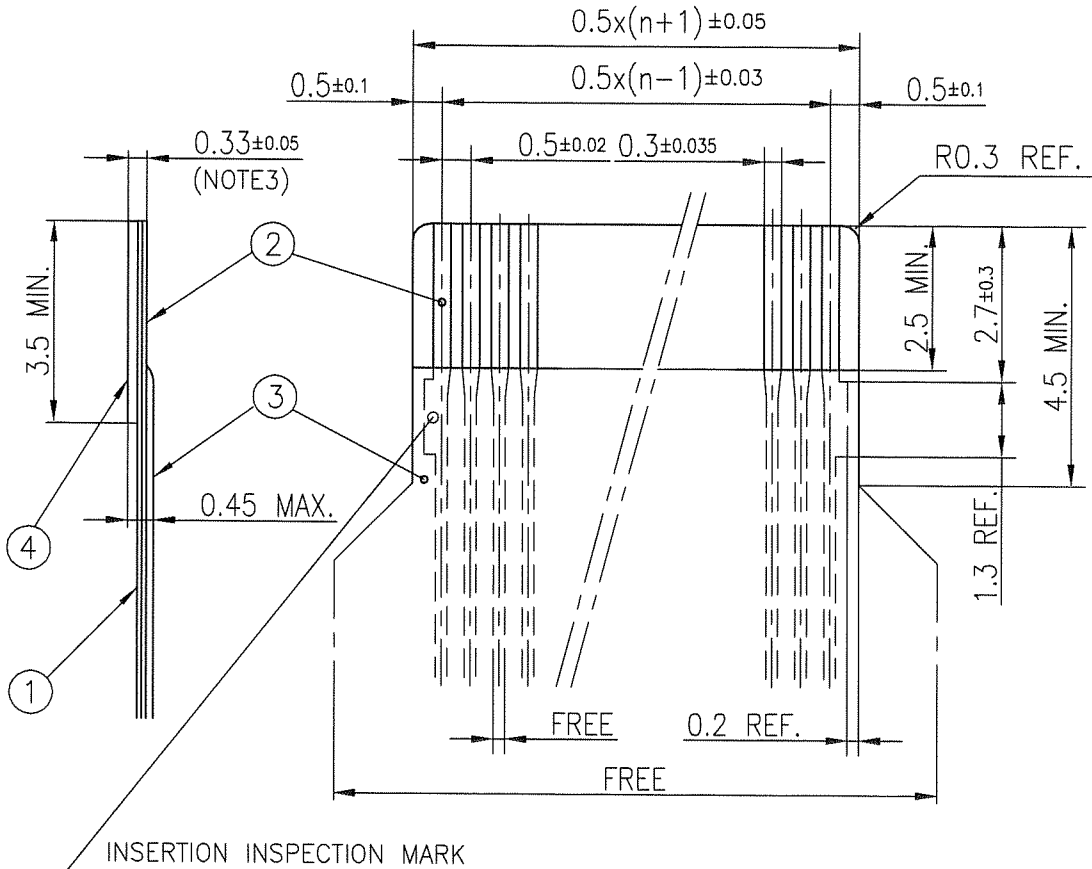
NOTES

- THIS IS PLASTIC TAPE PACKAGED CONNECTOR USED FOR FPC AND COPEs WITH AUTOMATIC MOUNTING (SMT).
- SEE JIS C 0806 (PACKING OF ELECTRONIC COMPONENTS ON CONTINUOUS TAPES (SURFACE MOUNTING DEVICES)) FOR SHAPE AND DIMENSIONS OF PLASTIC (EMBOSS) TAPE AND REEL.
- F DIMENSION IS PORTION OF THE CORE.

|             |                |                                       |           |                               |  |      |        |
|-------------|----------------|---------------------------------------|-----------|-------------------------------|--|------|--------|
| mat'l. code |                | surface                               | tolerance | projection                    | product family   | CODE |        |
|             |                | ISO 1302                              | ISO 406   |                               | 58EF   | JP   |        |
|             |                | tolerances unless otherwise specified | ISO 1101  |                               |  |      |        |
| ltr         | ecn no         | dr                                    | date      | mm                            | title  |      |        |
| A           |                |                                       |           | scale                         | PLASTIC TAPE PACKAGED<br>0.5 mm CONTACT SPACING CONNECTOR<br>(Cat. No. : SFV__R-2STBE5HLF) |      |        |
|             |                | angles                                | linear    |                               | dwg no   |      |        |
|             |                | dr                                    | 2011-3-8  |                               | sheet 7 of 9   |      |        |
|             |                | enr                                   | 2011-3-8  |                               | 10117738   |      |        |
|             |                | chr                                   | 2011-3-8  |                               | size A4  |      |        |
|             |                | appd                                  | Mr. S. U. | type Product Customer Drawing |  |      |        |
| sheet index | revision sheet |                                       |           |                               |  |      | Rev. A |

RECOMMENDED CABLE (FPC)

n : NO. OF CONTACTS



| PT. NO. | PARTS NAME      | MATERIAL                        | THICKNESS (um) |
|---------|-----------------|---------------------------------|----------------|
| 1       | BASE FILM       | POLYIMIDE OR POLYESTER OR EQUAL | 25             |
| 2       | CONDUCTOR       | COPPER FOIL(PLATING : GOLD )    | 35             |
| 3       | OVERLAY         | POLYIMIDE OR POLYESTER OR EQUAL | —              |
| 4       | SUPPORTING TAPE | POLYESTER OR POLYIMIDE OR EQUAL | 188            |

NOTES

1. NO BURR AT EACH PORTION.
2. NO PEELING IN COMMON USE.
3. TOTAL THICKNESS LIMIT OF EACH MATERIAL (INCLUDING ADHESIVE AGENT) IS SPECIFIED.

|             |  |                       |  |                                  |  |                 |  |                                       |  |  |  |
|-------------|--|-----------------------|--|----------------------------------|--|-----------------|--|---------------------------------------|--|--|--|
| mat'l. code |  | surface<br>ISO 1302 ✓ |  | tolerance<br>ISO 406<br>ISO 1101 |  | projection<br>⊕ |  | product family<br>58EF                |  | CODE<br>JP   |  |
| ltr         |  | ecn no                |  | dr                               |  | date            |  | tolerances unless otherwise specified |  | title  |  |
| A           |  |                       |  |                                  |  |                 |  | mm                                    |  | RECOMMENDED CABLE<br>(Cat. No. : SFV__R-1/2ST__LF) |  |
|             |  |                       |  | angles                           |  | linear          |  | scale                                 |  | dwg no   |  |
|             |  |                       |  | dr                               |  | 2011-3-8        |  | 20                                    |  | sheet 8 of 9 size                                  |  |
|             |  |                       |  | enr                              |  | 2011-3-8        |  | FCJ                                   |  | 10117738   |  |
|             |  |                       |  | chr                              |  | 2011-3-8        |  |                                       |  | A4   |  |
|             |  |                       |  | appd                             |  | Mar 8/11        |  |                                       |  | type Product Customer Drawing                      |  |
| sheet index |  | revision sheet        |  |                                  |  |                 |  |                                       |  | Rev.<br>A  |  |



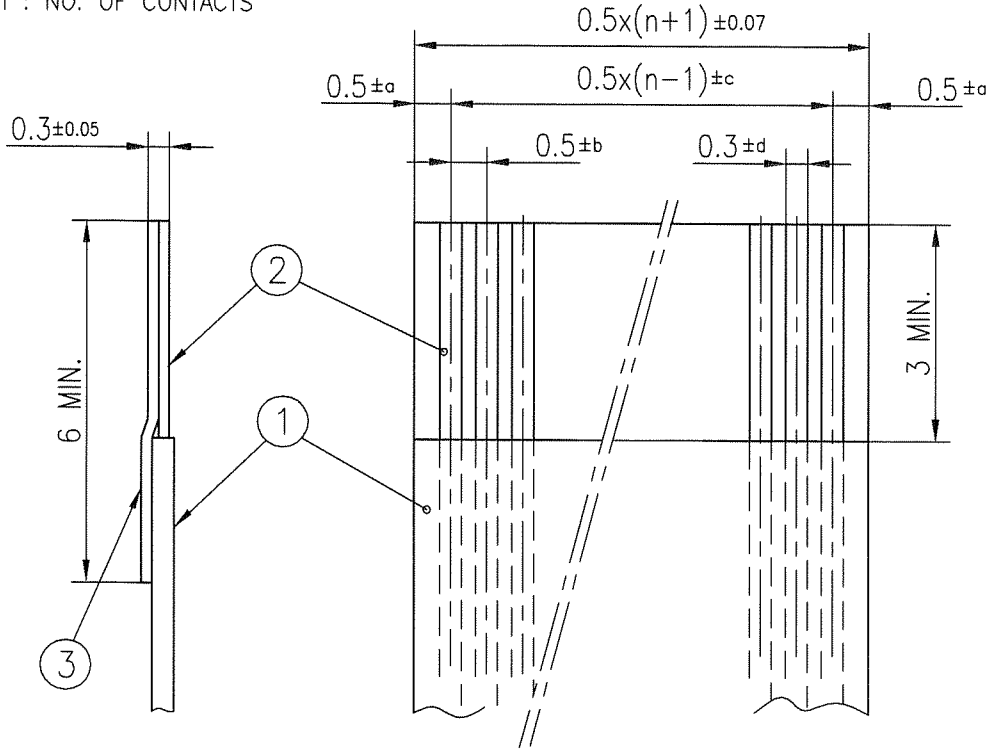
FCIconnect.com

Copyright FCI.



RECOMMENDED CABLE (FFC)

n : NO. OF CONTACTS



| KIND OF FFC (NOTE3) | DIMENSIONAL TOLERANCE |       |       |        |
|---------------------|-----------------------|-------|-------|--------|
|                     | a                     | b     | c     | d      |
| 1                   | ±0.07                 | ±0.04 | ±0.05 | ±0.02  |
| 2                   | ±0.1                  | ±0.03 | ±0.03 | ±0.025 |

| PT. NO. | PARTS NAME      | MATERIAL                                |
|---------|-----------------|---|
| 1       | INSULATOR       | FLAME RESISTING POLYESTER OR EQUIVALENT |
| 2       | CONDUCTOR       | COPPER FOIL (PLATING : GOLD)            |
| 3       | SUPPORTING TAPE | FLAME RESISTING POLYESTER OR EQUIVALENT |

NOTES

1. NO BURR AT EACH PORTION.
2. NO PEELING IN COMMON USE.
3. EITHER KIND1 OR KIND2 OF FFC CAN ACCEPT DIMENSIONAL TOLERANCE a,b,c AND d.

|             |  |  |  |   |  |                          |  |                               |  |  |  |
|-------------|--|--|--|---|--|--------------------------|--|-------------------------------|--|--|--|
| mat'l. code |  |  |  | surface ISO 1302 <input checked="" type="checkbox"/> tolerance ISO 406 <input checked="" type="checkbox"/> ISO 1101 |  | projection               |  | product family 58EF           |  | CODE JP  |  |
| ltr A       |  |  |  | ecn no  |  | dr                       |  | date                          |  | title  |  |
|             |  |  |  | angles  |  | linear                   |  | mm                            |  | RECOMMENDED CABLE<br>(Cat. No. : SFV__R-1/2ST__LF) |  |
|             |  |  |  | scale X   |  | FCJ                      |  | dwg no 10117738               |  | sheet 9 of 9 size A4                               |  |
| sheet index |  |  |  | revision sheet  |  | dr S. Nishida 2011-3-8   |  | enr S. Nishida 2011-3-8       |  | chr S. Nishida 2011-3-8                            |  |
|             |  |  |  |   |  | appd M. Nishida Mar 8/11 |  | type Product Customer Drawing |  | Rev. A   |  |

Компания «Океан Электроники» предлагает заключение долгосрочных отношений при поставках импортных электронных компонентов на взаимовыгодных условиях!

Наши преимущества:

- Поставка оригинальных импортных электронных компонентов напрямую с производств Америки, Европы и Азии, а так же с крупнейших складов мира;
- Широкая линейка поставок активных и пассивных импортных электронных компонентов (более 30 млн. наименований);
- Поставка сложных, дефицитных, либо снятых с производства позиций;
- Оперативные сроки поставки под заказ (от 5 рабочих дней);
- Экспресс доставка в любую точку России;
- Помощь Конструкторского Отдела и консультации квалифицированных инженеров;
- Техническая поддержка проекта, помощь в подборе аналогов, поставка прототипов;
- Поставка электронных компонентов под контролем ВП;
- Система менеджмента качества сертифицирована по Международному стандарту ISO 9001;
- При необходимости вся продукция военного и аэрокосмического назначения проходит испытания и сертификацию в лаборатории (по согласованию с заказчиком);
- Поставка специализированных компонентов военного и аэрокосмического уровня качества (Xilinx, Altera, Analog Devices, Intersil, Interpoint, Microsemi, Actel, Aeroflex, Peregrine, VPT, Syfer, Eurofarad, Texas Instruments, MS Kennedy, Miteq, Cobham, E2V, MA-COM, Hittite, Mini-Circuits, General Dynamics и др.);

Компания «Океан Электроники» является официальным дистрибьютором и эксклюзивным представителем в России одного из крупнейших производителей разъемов военного и аэрокосмического назначения «JONHON», а так же официальным дистрибьютором и эксклюзивным представителем в России производителя высокотехнологичных и надежных решений для передачи СВЧ сигналов «FORSTAR».



## JONHON

«JONHON» (основан в 1970 г.)

Разъемы специального, военного и аэрокосмического назначения:

(Применяются в военной, авиационной, аэрокосмической, морской, железнодорожной, горно- и нефтедобывающей отраслях промышленности)

«FORSTAR» (основан в 1998 г.)

ВЧ соединители, коаксиальные кабели, кабельные сборки и микроволновые компоненты:

(Применяются в телекоммуникациях гражданского и специального назначения, в средствах связи, РЛС, а так же военной, авиационной и аэрокосмической отраслях промышленности).



Телефон: 8 (812) 309-75-97 (многоканальный)

Факс: 8 (812) 320-03-32

Электронная почта: [ocean@oceanchips.ru](mailto:ocean@oceanchips.ru)

Web: <http://oceanchips.ru/>

Адрес: 198099, г. Санкт-Петербург, ул. Калинина, д. 2, корп. 4, лит. А