

Description

The TL431 and TL432 are three terminal adjustable shunt regulators offering excellent temperature stability and output current handling capability up to 100mA. The output voltage may be set to any chosen voltage between 2.5 and 36 volts by selection of two external divider resistors.

The devices can be used as a replacement for zener diodes in many applications requiring an improvement in zener performance. Diodes' TL431 has the same electrical specifications as the industry standard '431 and is available in 2 grades with initial tolerances of 1% and 0.5% for the A and B grades respectively.

Features

- Temperature range -40 to 125°C
- Reference Voltage Tolerance at 25°C
 - TL431A: 2.495V \pm 1.0%.
 - TL431B: 2.495V \pm 0.5%
- Low Output Noise
- 0.2 Ω Typical Output Impedance
- Sink Current Capability: 1mA to 100mA
- Adjustable Output Voltage: V_{REF} to 36V
- SOT23 and SOT25: Available in "Green" Molding Compound (No Br, Sb) and Lead Free Finish/ RoHS Compliant (Note 1)

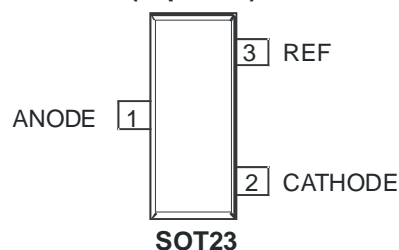
Applications

- Opto-Coupler Linearisers
- Shunt Regulators
- Improved Zener
- Variable Reference

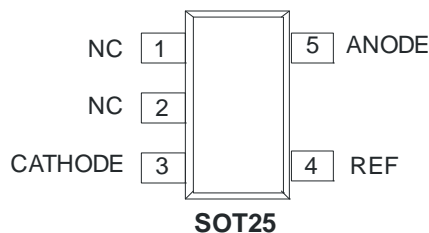
Notes: 1. EU Directive 2002/95/EC (RoHS). All applicable RoHS exemptions applied. Please visit our website at http://www.diodes.com/products/lead_free.html.

Pin Assignments

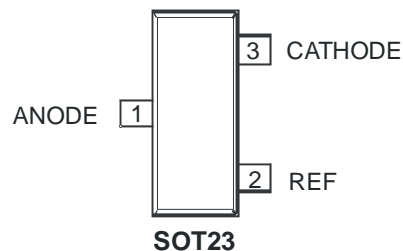
TL431
(Top View)



(Top View)



TL432
(Top View)



Absolute Maximum Ratings (Note 2)

Symbol	Parameter	Rating	Unit	
V_{KA}	Cathode Voltage	40	V	
I_{KA}	Continuous Cathode Current	150	mA	
I_{REF}	Reference Input Current	-0.050 to +10	mA	
T_J	Operating Junction Temperature	+150	°C	
T_{ST}	Storage Temperature	-55 to +150	°C	
P_D	Power Dissipation (Notes 3, 4)	SOT23	330	mW
		SOT25	500	mW

Notes: 2. Operation above the absolute maximum rating may cause device failure. Operation at the absolute maximum ratings, for extended periods, may reduce device reliability. Unless otherwise stated voltages specified are relative to the ANODE pin.

3. T_J , max =150°C.

4. Ratings apply to ambient temperature at 25°C.

Recommended Operating Conditions

Symbol	Parameter	Min	Max	Unit
V_{KA}	Cathode Voltage	V_{REF}	36	V
I_{KA}	Cathode Current	1	100	mA
T_A	Operating Ambient Temperature	-40	125	°C

Electrical Characteristics (T_A = +25°C, unless otherwise noted)

Symbol	Parameter	Test Conditions	Min	Typ.	Max	Unit	
V _{REF}	Reference voltage	V _K A = V _{REF} , I _K A = 10mA	TL431A	2.470	2.495	2.520	V
			TL431B	2.482	2.495	2.507	V
V _{DEV}	Deviation of reference voltage over full temperature range (Note 5)	V _K A = V _{REF} , I _K A = 10mA	T _A = 0 to 70 °C		6	16	mV
			T _A = -40 to 85 °C		14	34	mV
			T _A = -40 to 125 °C		14	34	mV
$\frac{\Delta V_{REF}}{\Delta V_{KA}}$	Ratio of the change in reference voltage to the change in cathode voltage	I _K A = 10mA	V _K A = 10V to V _{REF}		-1.4	-2.7	mV/V
			V _K A = 36V to 10V		-1	-2	mV/V
I _{REF}	Reference input current	I _K A = 10mA, R1 = 10KΩ, R2 = ∞		1	4	μA	
ΔI _{REF}	I _{REF} deviation over full temperature range (Note 5)	I _K A = 10mA, R1 = 10KΩ, R2 = ∞	T _A = 0 to 70 °C		0.8	1.2	μA
			T _A = -40 to 85 °C		0.8	2.5	μA
			T _A = -40 to 125 °C		0.8	2.5	μA
I _{K(A)MIN}	Minimum cathode current for regulation	V _K A = V _{REF}		0.4	0.7	mA	
I _{K(A)OFF}	Off-state current	V _K A = 36V, V _{REF} = 0V		0.05	0.5	μA	
Z _{KA}	Dynamic output impedance (Note 6)	V _K A = V _{REF} , f = 0Hz		0.2	0.5	Ω	
θ _{JA}	Thermal Resistance Junction to Ambient	SOT23		380		°C/W	
		SOT25		250		°C/W	

Notes: 5. Deviation of V_{DEV}, and ΔI_{REF} are defined as the maximum variation of the values over the full temperature range.

The average temperature coefficient of the reference input voltage αV_{REF} is defined as:

$$|\alpha V_{REF}| = \left(\frac{V_{DEV}}{V_{REF @ 25^\circ C}} \right) \times 10^6 \text{ ppm/}^\circ C$$

Where:

T₂ - T₁ = full temperature change.

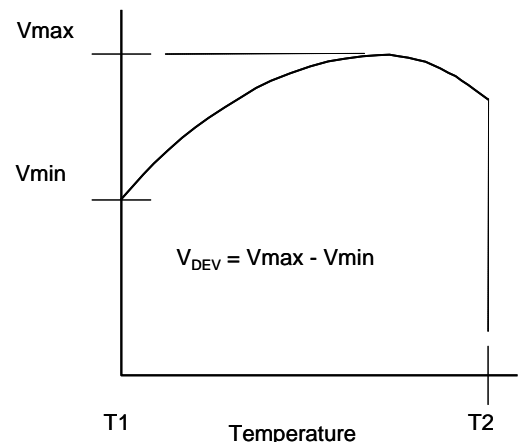
αV_{REF} can be positive or negative depending on whether the slope is positive or negative.

Notes: 6. The dynamic output impedance, R_Z, is defined as:

$$|Z_{KA}| = \frac{\Delta V_{KA}}{\Delta I_{KA}}$$

When the device is programmed with two external resistors R1 and R2, the dynamic output impedance of the overall circuit, is defined as:

$$|Z'| = \frac{\Delta V}{\Delta I} \approx |Z_{KA}| \left(1 + \frac{R1}{R2} \right)$$



Test Circuits

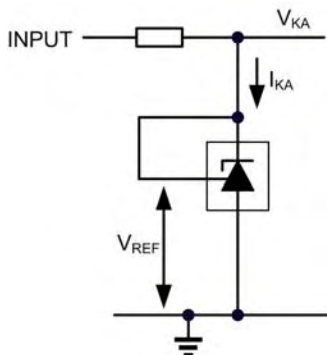


Figure 1. Test circuit for $V_{KA} = V_{REF}$

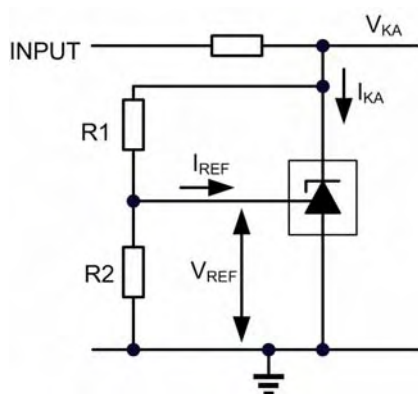


Figure 2. Test circuit for $V_{KA} > V_{REF}$

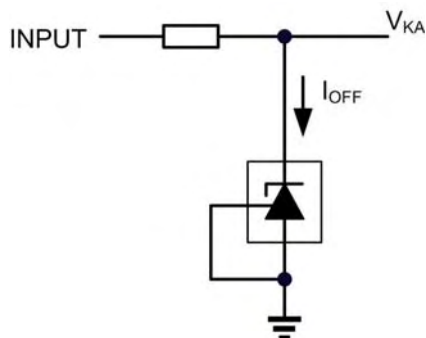
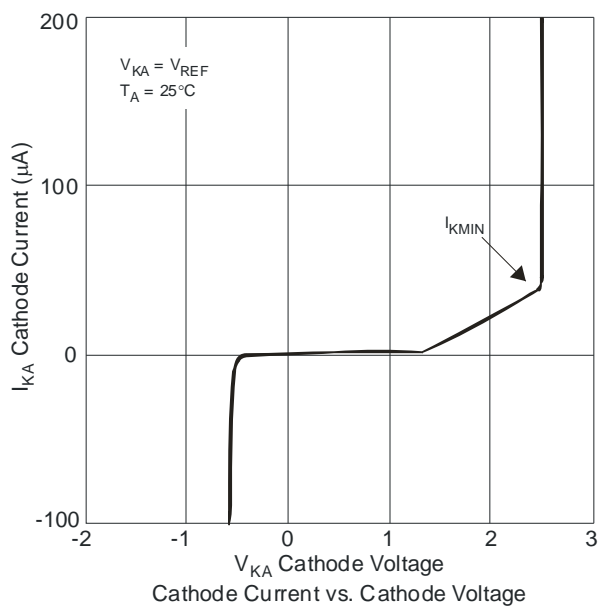
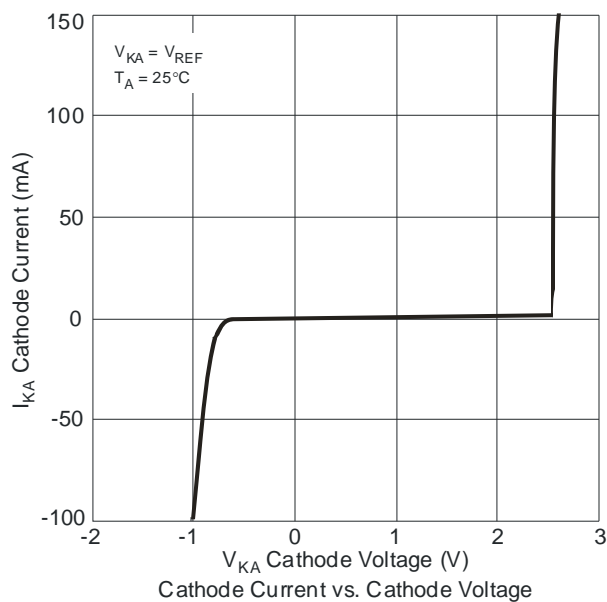
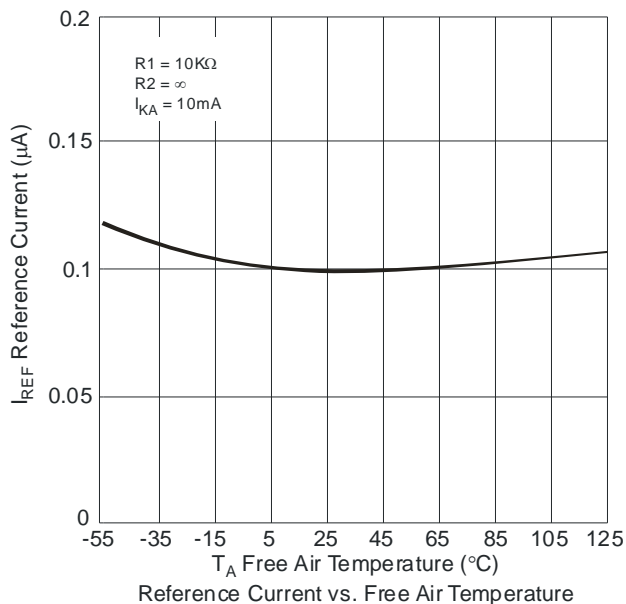
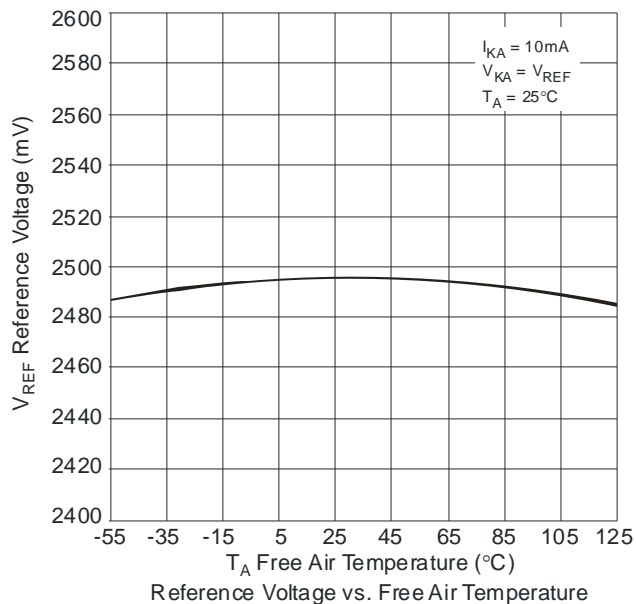
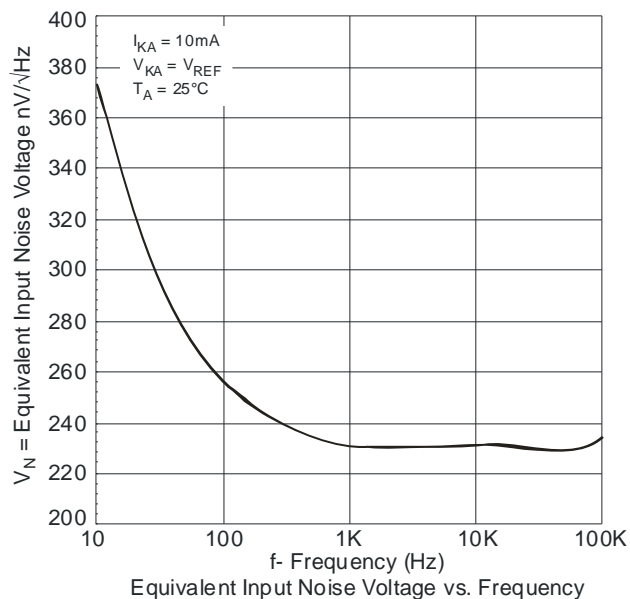
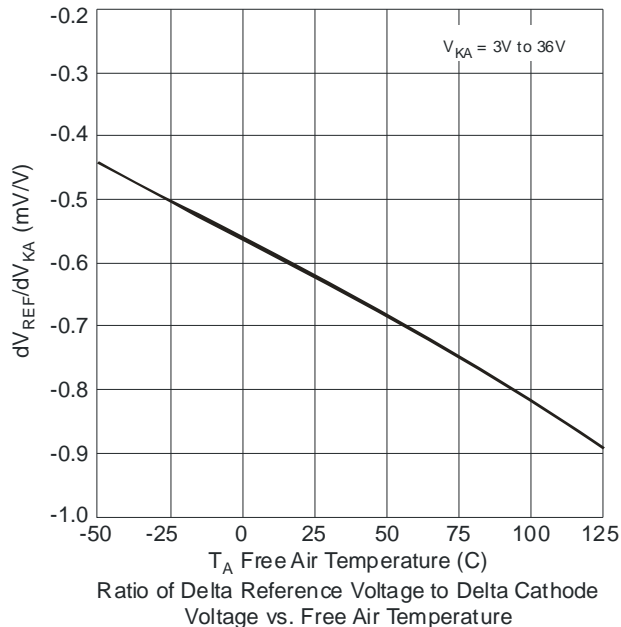
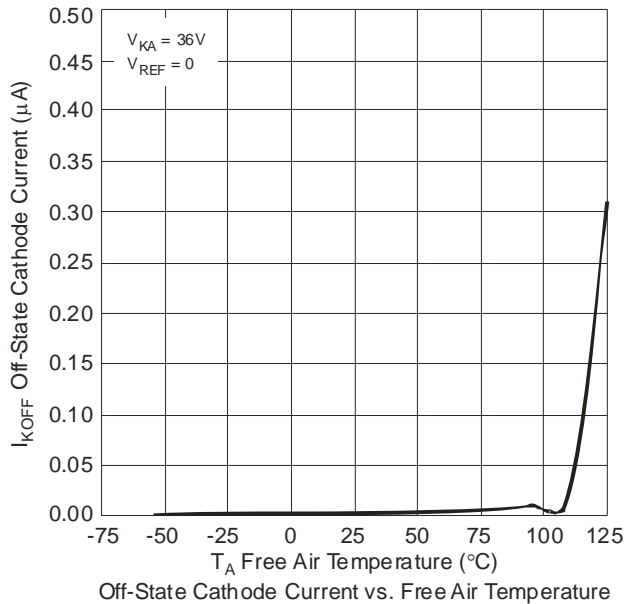


Figure 3. Test circuit for I_{OFF}

Typical Performance Characteristics



Typical Performance Characteristics (Continued)



Typical Performance Characteristics (Continued)

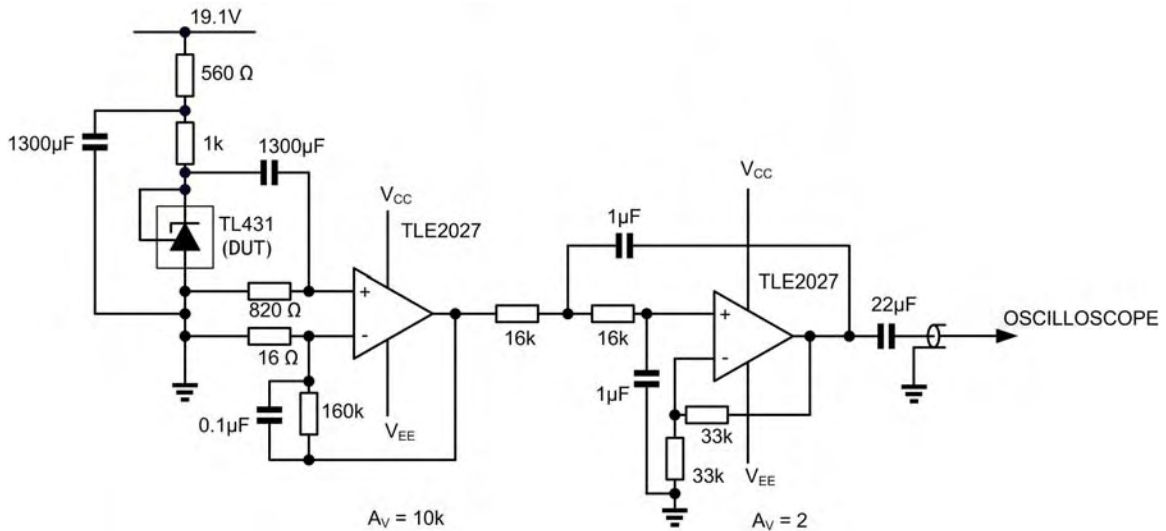
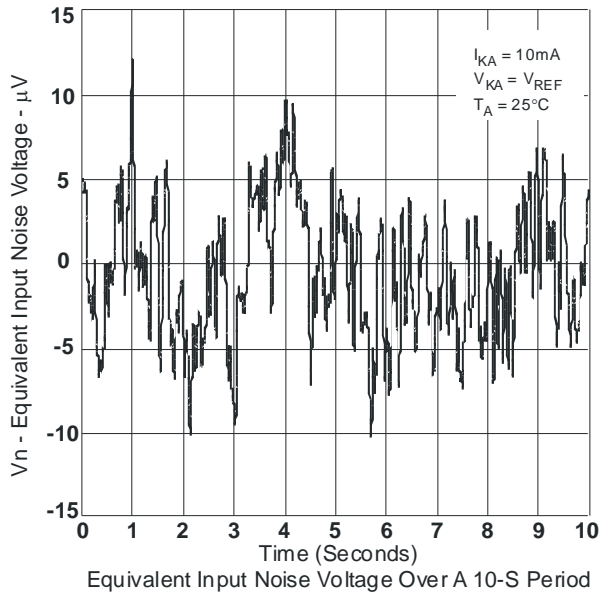
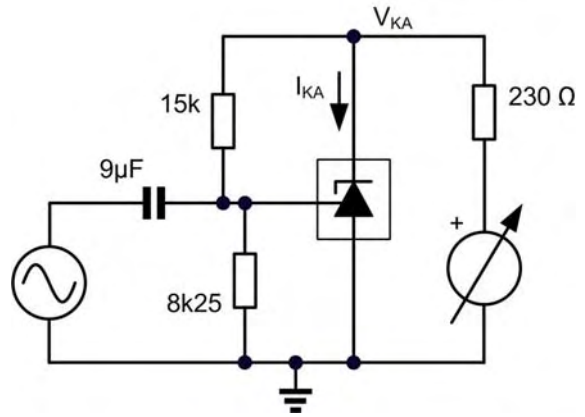
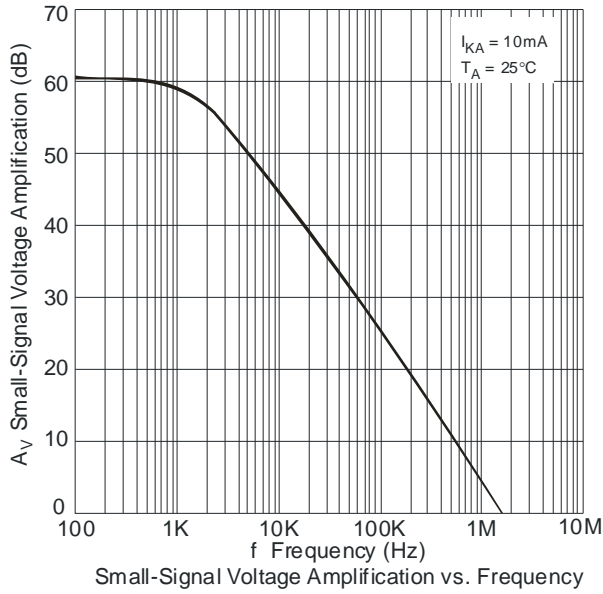
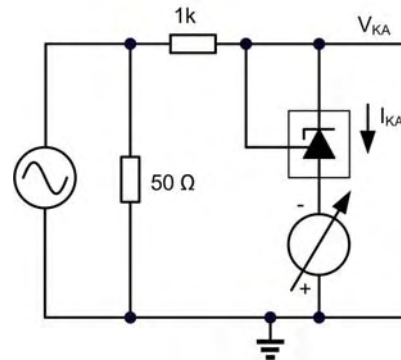
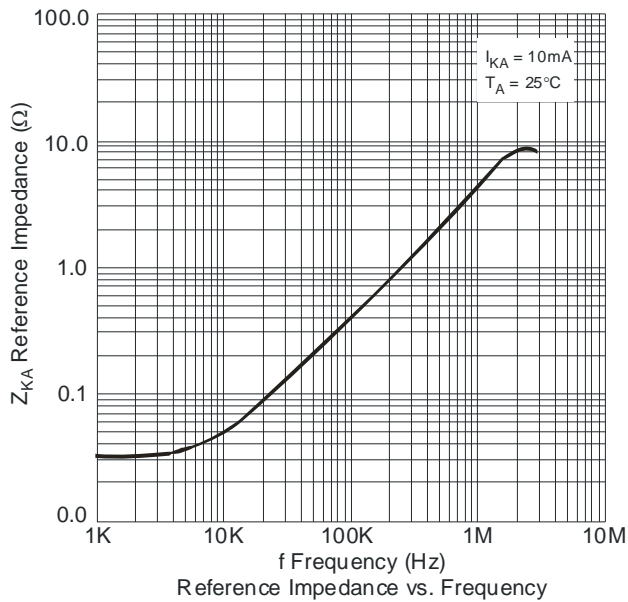


Figure 4. Test circuit for noise input voltage

Typical Performance Characteristics (Continued)

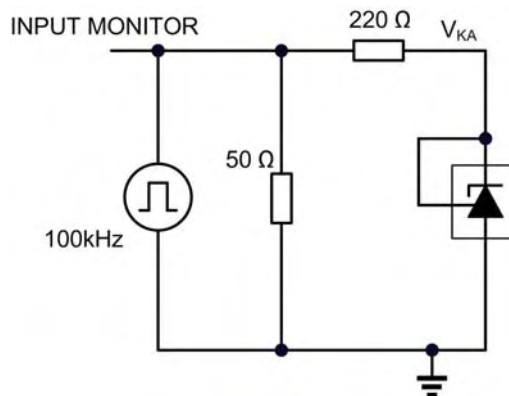
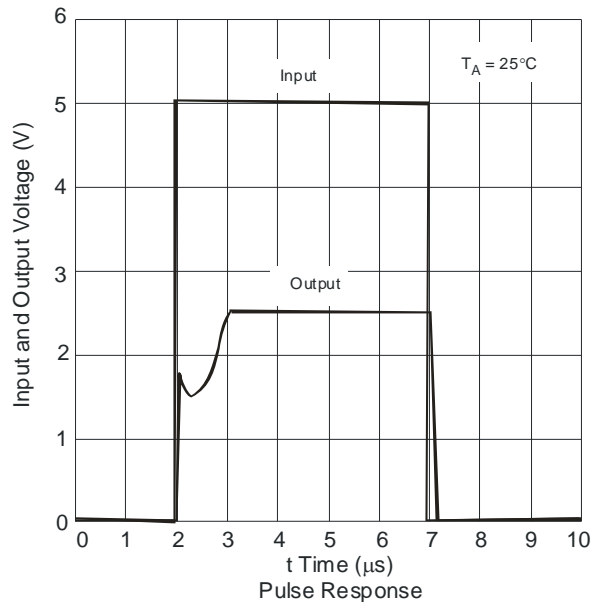


Test circuit for voltage amplification

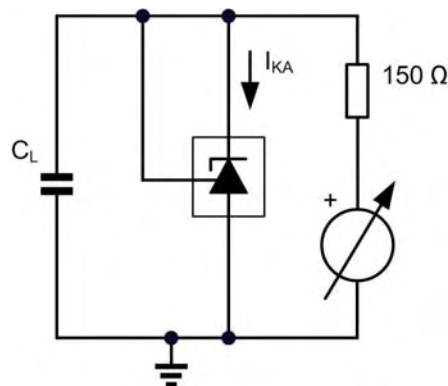
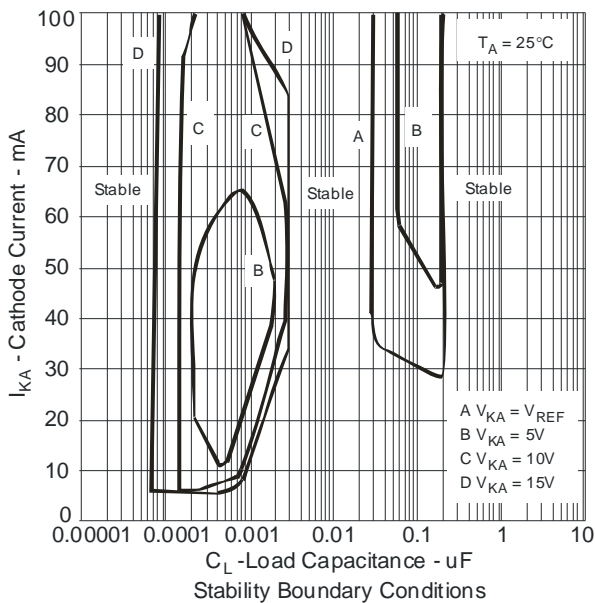


Test circuit for reference impedance

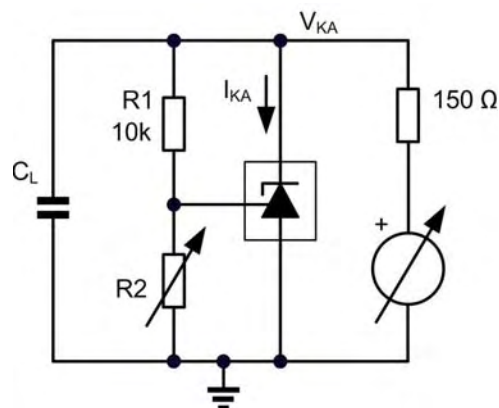
Typical Performance Characteristics (Continued)



Test Circuit for Pulse Response



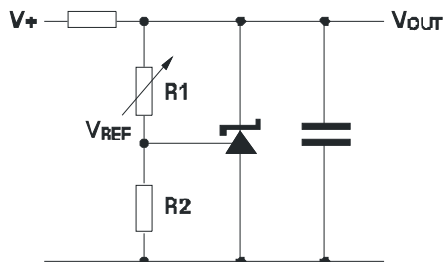
Test Circuit for Curve A



Test Circuit for Curves B, C, D

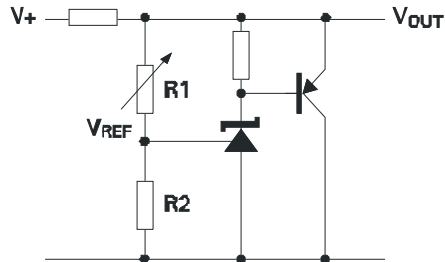
The device is stable under all conditions with a load capacitance not exceeding 50pF. The device is stable under all conditions with a load capacitance between 5nF and 20nF. The device is stable under all conditions with a load capacitance exceeding 300nF. With a cathode current not exceeding 5mA, the device is stable with any load capacitance.

Applications Information



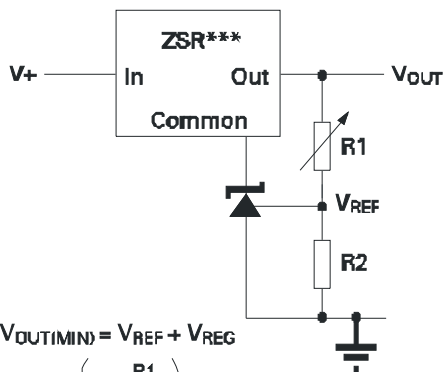
$$V_{OUT} = \left(1 + \frac{R1}{R2}\right) V_{REF}$$

Shunt Regulator



$$V_{OUT} = \left(1 + \frac{R1}{R2}\right) V_{REF}$$

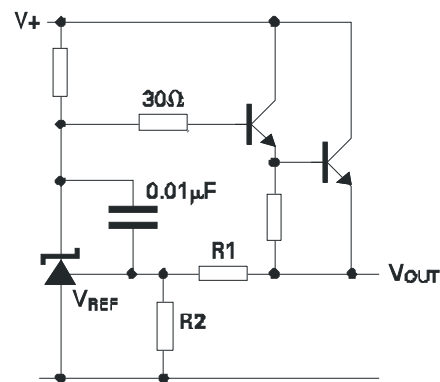
Higher Current Shunt Regulator



$$V_{OUT(MIN)} = V_{REF} + V_{REG}$$

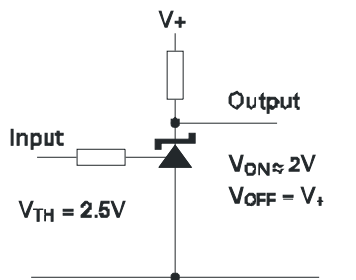
$$V_{OUT} = \left(1 + \frac{R1}{R2}\right) V_{REF}$$

Output Control of a Three Terminal Fixed Regulator

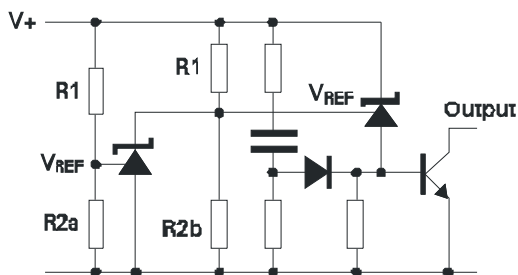


$$V_{OUT} = \left(1 + \frac{R1}{R2}\right) V_{REF}$$

Series Regulator



Single Supply Comparator with Temperature Compensated Threshold



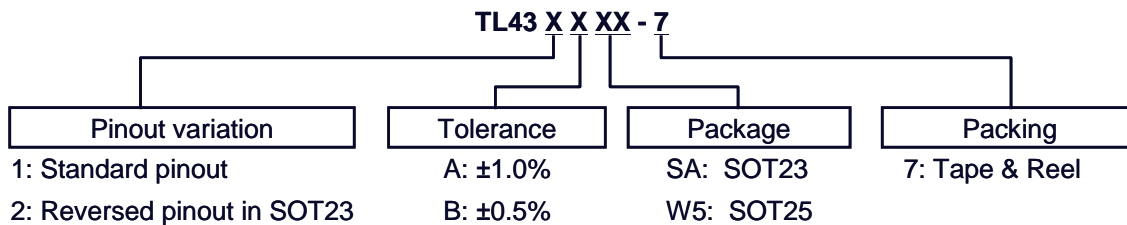
$$\text{Low limit} = \left(1 + \frac{R1B}{R2B}\right) V_{REF}$$

$$\text{High limit} = \left(1 + \frac{R1A}{R2A}\right) V_{REF}$$

Over Voltage / Under Voltage Protection Circuit

NEW PRODUCT

Ordering Information



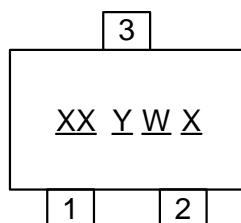
Device (Note 7)	Package Code	Packaging (Note 5)	7" Tape and Reel		Ammo Box	
			Quantity	Part Number Suffix	Quantity	Part Number Suffix
TL431A(B)SA-7	SA	SOT23	3000/Tape & Reel	-7	NA	NA
TL431A(B)W5-7	W5	SOT25	3000/Tape & Reel	-7	NA	NA
TL432A(B)SA-7	SA	SOT23	3000/Tape & Reel	-7	NA	NA

Notes: 7. Pad layout as shown on Diodes Inc. suggested pad layout document AP02001, which can be found on our website at <http://www.diodes.com/datasheets/ap02001.pdf>.
 8. Suffix "B" denotes TL431B device.

Marking Information

(1) SOT23

(Top View)



XX : Identification code

Y : Year 0~9

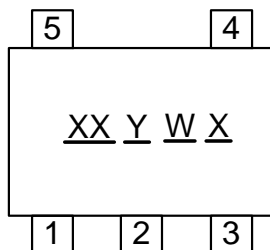
W : Week : A~Z : 1~26 week;
a~z : 27~52 week; z represents
52 and 53 week

X : A~Z : Green

Device	Package	Identification Code
TL431ASA	SOT23	AA
TL431BSA	SOT23	AB
TL432ASA	SOT23	BA
TL432BSA	SOT23	BB

(2) SOT25

(Top View)



XX : Identification code

Y : Year 0~9

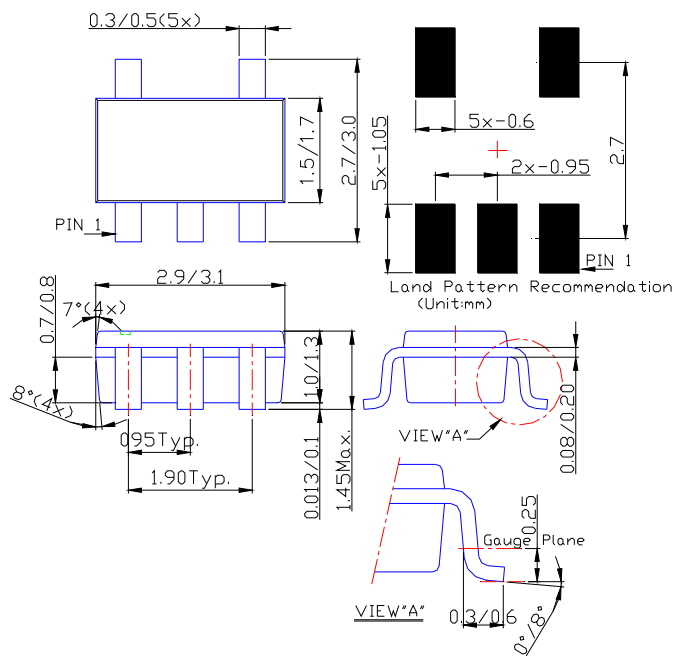
W : Week : A~Z : 1~26 week;
a~z : 27~52 week; z represents
52 and 53 week

X : A~Z : Green

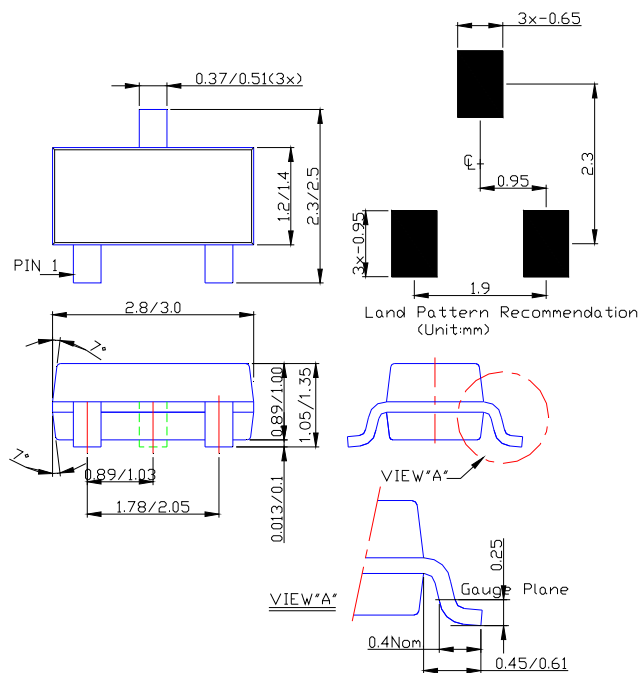
Device	Package	Identification Code
TL431AW5	SOT25	AA
TL431BW5	SOT25	AB

Package Outline Dimensions (All Dimensions in mm)

(1) Package type: SOT25



(2) Package Types: SOT23



NEW PRODUCT

IMPORTANT NOTICE

DIODES INCORPORATED MAKES NO WARRANTY OF ANY KIND, EXPRESS OR IMPLIED, WITH REGARDS TO THIS DOCUMENT, INCLUDING, BUT NOT LIMITED TO, THE IMPLIED WARRANTIES OF MERCHANTABILITY AND FITNESS FOR A PARTICULAR PURPOSE (AND THEIR EQUIVALENTS UNDER THE LAWS OF ANY JURISDICTION).

Diodes Incorporated and its subsidiaries reserve the right to make modifications, enhancements, improvements, corrections or other changes without further notice to this document and any product described herein. Diodes Incorporated does not assume any liability arising out of the application or use of this document or any product described herein; neither does Diodes Incorporated convey any license under its patent or trademark rights, nor the rights of others. Any Customer or user of this document or products described herein in such applications shall assume all risks of such use and will agree to hold Diodes Incorporated and all the companies whose products are represented on Diodes Incorporated website, harmless against all damages.

Diodes Incorporated does not warrant or accept any liability whatsoever in respect of any products purchased through unauthorized sales channel.

Should Customers purchase or use Diodes Incorporated products for any unintended or unauthorized application, Customers shall indemnify and hold Diodes Incorporated and its representatives harmless against all claims, damages, expenses, and attorney fees arising out of, directly or indirectly, any claim of personal injury or death associated with such unintended or unauthorized application.

Products described herein may be covered by one or more United States, international or foreign patents pending. Product names and markings noted herein may also be covered by one or more United States, international or foreign trademarks.

LIFE SUPPORT

Diodes Incorporated products are specifically not authorized for use as critical components in life support devices or systems without the express written approval of the Chief Executive Officer of Diodes Incorporated. As used herein:

A. Life support devices or systems are devices or systems which:

1. are intended to implant into the body, or
2. support or sustain life and whose failure to perform when properly used in accordance with instructions for use provided in the labeling can be reasonably expected to result in significant injury to the user.

B. A critical component is any component in a life support device or system whose failure to perform can be reasonably expected to cause the failure of the life support device or to affect its safety or effectiveness.

Customers represent that they have all necessary expertise in the safety and regulatory ramifications of their life support devices or systems, and acknowledge and agree that they are solely responsible for all legal, regulatory and safety-related requirements concerning their products and any use of Diodes Incorporated products in such safety-critical, life support devices or systems, notwithstanding any devices- or systems-related information or support that may be provided by Diodes Incorporated. Further, Customers must fully indemnify Diodes Incorporated and its representatives against any damages arising out of the use of Diodes Incorporated products in such safety-critical, life support devices or systems.

Copyright © 2010, Diodes Incorporated

www.diodes.com

Компания «Океан Электроники» предлагает заключение долгосрочных отношений при поставках импортных электронных компонентов на взаимовыгодных условиях!

Наши преимущества:

- Поставка оригинальных импортных электронных компонентов напрямую с производств Америки, Европы и Азии, а так же с крупнейших складов мира;
- Широкая линейка поставок активных и пассивных импортных электронных компонентов (более 30 млн. наименований);
- Поставка сложных, дефицитных, либо снятых с производства позиций;
- Оперативные сроки поставки под заказ (от 5 рабочих дней);
- Экспресс доставка в любую точку России;
- Помощь Конструкторского Отдела и консультации квалифицированных инженеров;
- Техническая поддержка проекта, помощь в подборе аналогов, поставка прототипов;
- Поставка электронных компонентов под контролем ВП;
- Система менеджмента качества сертифицирована по Международному стандарту ISO 9001;
- При необходимости вся продукция военного и аэрокосмического назначения проходит испытания и сертификацию в лаборатории (по согласованию с заказчиком);
- Поставка специализированных компонентов военного и аэрокосмического уровня качества (Xilinx, Altera, Analog Devices, Intersil, Interpoint, Microsemi, Actel, Aeroflex, Peregrine, VPT, Syfer, Eurofarad, Texas Instruments, MS Kennedy, Miteq, Cobham, E2V, MA-COM, Hittite, Mini-Circuits, General Dynamics и др.);

Компания «Океан Электроники» является официальным дистрибьютором и эксклюзивным представителем в России одного из крупнейших производителей разъемов военного и аэрокосмического назначения «JONHON», а так же официальным дистрибьютором и эксклюзивным представителем в России производителя высокотехнологичных и надежных решений для передачи СВЧ сигналов «FORSTAR».



JONHON

«JONHON» (основан в 1970 г.)

Разъемы специального, военного и аэрокосмического назначения:

(Применяются в военной, авиационной, аэрокосмической, морской, железнодорожной, горно- и нефтедобывающей отраслях промышленности)

«FORSTAR» (основан в 1998 г.)

ВЧ соединители, коаксиальные кабели, кабельные сборки и микроволновые компоненты:

(Применяются в телекоммуникациях гражданского и специального назначения, в средствах связи, РЛС, а так же военной, авиационной и аэрокосмической отраслях промышленности).



Телефон: 8 (812) 309-75-97 (многоканальный)

Факс: 8 (812) 320-03-32

Электронная почта: ocean@oceanchips.ru

Web: <http://oceanchips.ru/>

Адрес: 198099, г. Санкт-Петербург, ул. Калинина, д. 2, корп. 4, лит. А