

PLEASE CHECK WWW.MOLEX.COM FOR LATEST PART INFORMATION

Part Number: [0879160011](#)
Status: **Active**
Description: 1.00mm (.039") Pitch DDR-2 DIMM Socket, 22.5 Degree Angle, Through Hole, 240 Circuits, 1.8V Voltage Key, 0.76µm (30µ") Gold (Au) Plating, 3.18mm (.125") Tail Length, with Off-White Latches, Lead-free

Documents:

[3D Model](#) [Product Specification PS-87916-001 \(PDF\)](#)
[Drawing \(PDF\)](#) [RoHS Certificate of Compliance \(PDF\)](#)

Agency Certification

CSA LR19980
 UL E29179

General

Product Family Memory Module Sockets
 Series [87916](#)
 Comments Latches in Off-White Color
 Component Type Memory Module
 JEDEC Outline MO-237
 Product Name DDR2 DIMM

Physical

Circuits (Loaded) 240
 Color - Resin Black, Natural
 Durability (mating cycles max) 25
 Entry Angle 22.5° Angle
 Flammability 94V-0
 Keying to Mating Part Yes
 Material - Plating Mating Gold
 Material - Plating Termination Tin
 Material - Resin High Temperature Thermoplastic
 PC Tail Length (in) 0.125 In
 PC Tail Length (mm) 3.18 mm
 PCB Locator Yes
 PCB Retention Yes
 PCB Thickness Recommended (in) 0.093 In
 PCB Thickness Recommended (mm) 2.40 mm
 Packaging Type Tray
 Pitch - Mating Interface (in) 0.039 In
 Pitch - Mating Interface (mm) 1.00 mm
 Plating min: Mating (µin) 30.4
 Plating min: Mating (µm) 0.76
 Plating min: Termination (µin) 101.6
 Plating min: Termination (µm) 2.54
 Temperature Range - Operating -55°C to +85°C
 Termination Interface: Style Through Hole

Electrical

Current - Maximum per Contact 0.5A
 Voltage - Maximum 30V
 Voltage Key 1.8V

Solder Process Data

Duration at Max. Process Temperature (seconds) 10
 Lead-free Process Capability SMC & Wave Capable (TH only)
 Max. Cycles at Max. Process Temperature 2

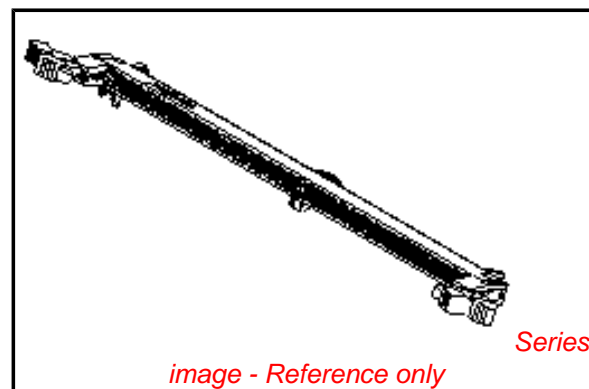


image - Reference only

EU RoHS

**ELV and RoHS
 Compliant**
**REACH SVHC
 Contains SVHC: No
 Halogen-Free
 Status**

China RoHS



**Need more information on product
 environmental compliance?**

Email productcompliance@molex.com
 For a multiple part number RoHS Certificate of Compliance, [click here](#)

Please visit the [Contact Us](#) section for any non-product compliance questions.

Search Parts in this Series

[87916Series](#)

Mates With

JEDEC standard 1.27mm modules

Process Temperature max. C

260

Material Info

Reference - Drawing Numbers

Product Specification

PS-87916-001, RPS-87916-001

Sales Drawing

SD-87916-001

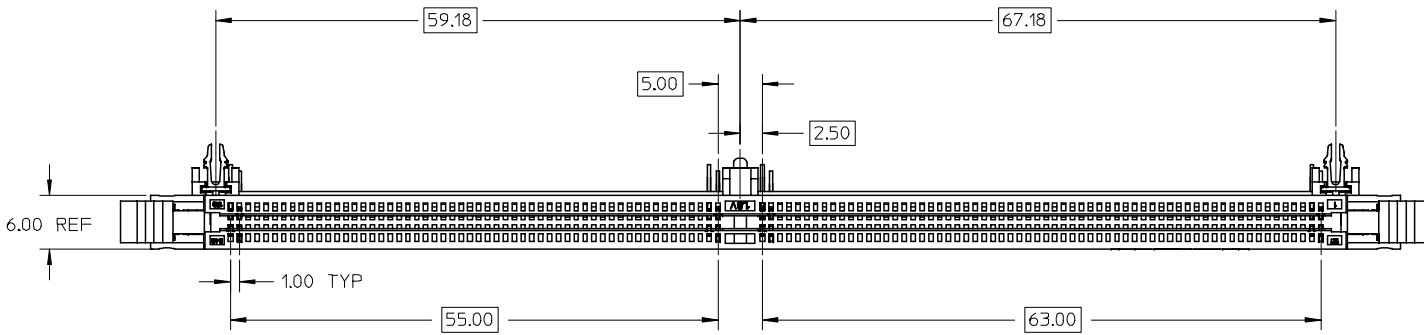
This document was generated on 04/13/2010

PLEASE CHECK WWW.MOLEX.COM FOR LATEST PART INFORMATION

10 9 8 7 6 5 4 3 2 1

F

F

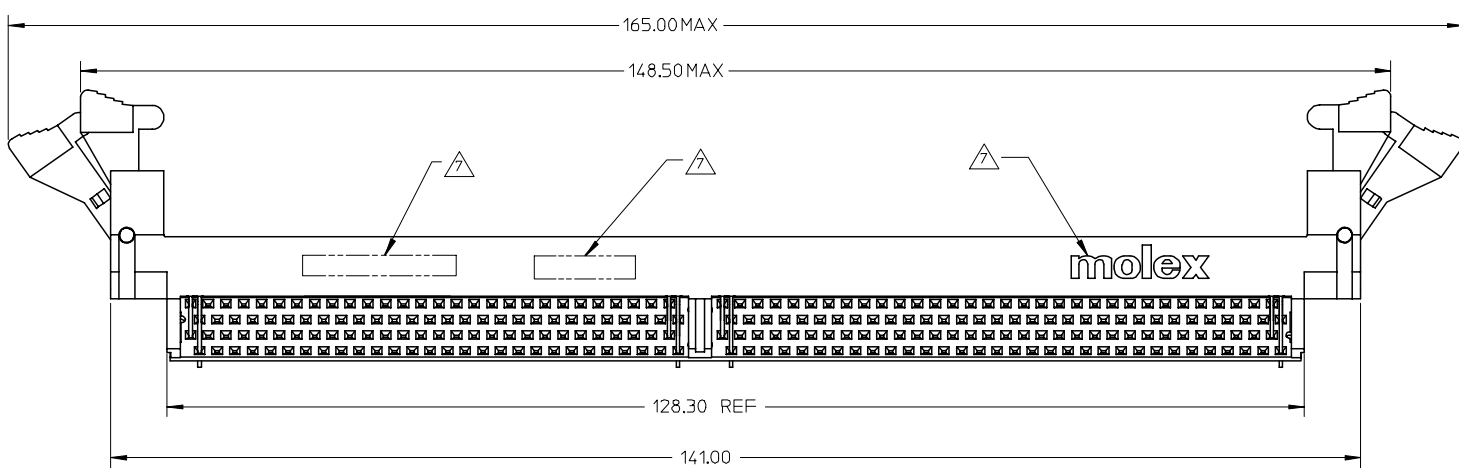


E

E

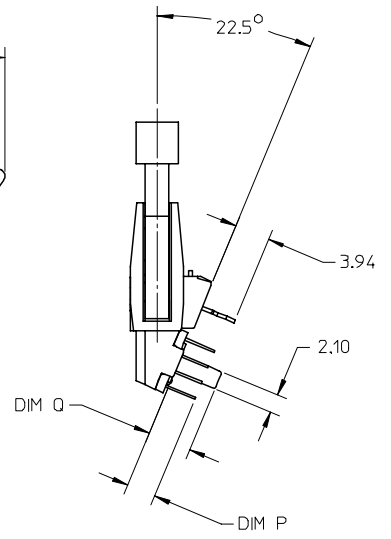
D

D



C

C



B

B

A

A

- NOTES :
- MATERIALS : HOUSING, BASEPLATE AND LATCH.
- HIGH TEMP THERMOPLASTIC, UL94-0.
TERMINALS & FORKLOCK - COPPER ALLOY.
 - PLATING : CONTACT AREA - SEE TABLE IN SHEET 5.
SOLDERTAIL - SEE TABLE IN SHEET 5.
 - CARD SLOT ACCEPTS 1.27+/-0.10MM MODULE THICKNESS
(MEASURED OVER PC PADS).
 - REFER TO PRODUCT SPECIFICATION , PS-87916-001 FOR
PERFORMANCE SPECIFICATION.
 - RECOMMENDED MODULE CARD LAYOUT SHALL BE AS PER JEDEC MO-237.
 - PRODUCT SHALL BE PACKED IN TRAY.
- ▲ MOLEX LOGO, DATE CODE & PART NUMBER INDICATED ON HOUSING.

ADDED OPTION EC NO: S2008-0329 DRWN:CTEH CHKD:TYANG01 APPR:SHLENI 2007/10/24 2007/10/24 2007/10/25	QUALITY SYMBOLS ▽=0 ▽=0	GENERAL TOLERANCES (UNLESS SPECIFIED)		DIMENSION STYLE MM ONLY		SCALE NTS	DESIGN UNITS METRIC	THIRD ANGLE PROJECTION		
				DRAWN BY JTAN		DATE 2004/05/11		TITLE DDR2 DIMM, 1.00MM PITCH 240 CKTS, 22.5 DEG		
				CHECKED BY MLONG		DATE 2004/06/11		APPROVED BY GGLEE		
				APPROVED BY GGLEE		DATE 2004/06/11		MOLEX MOLEX INCORPORATED		
A1		DRAFT WHERE APPLICABLE MUST REMAIN WITHIN DIMENSIONS		SEE TABLE		DOCUMENT NO. SD-87916-001		SHEET NO. 1 OF 5		

9 8 7 6 5 4 3 2 1

10 9 8 7 6 5 4 3 2 1

F

E

D

C

B

A

F

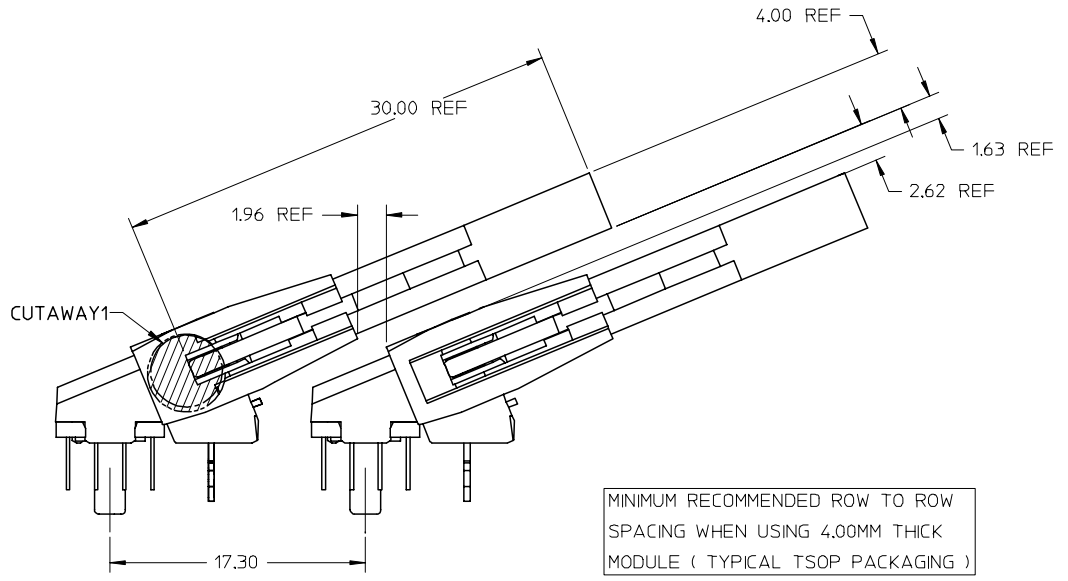
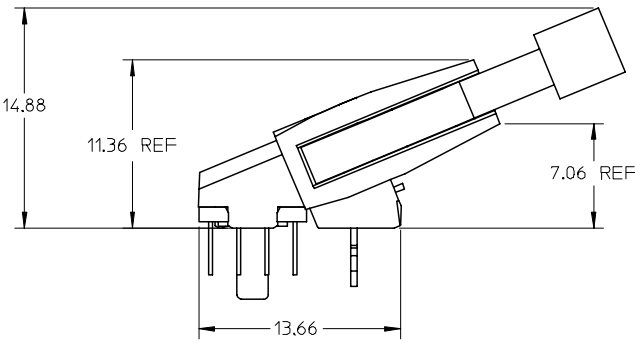
E

D

C

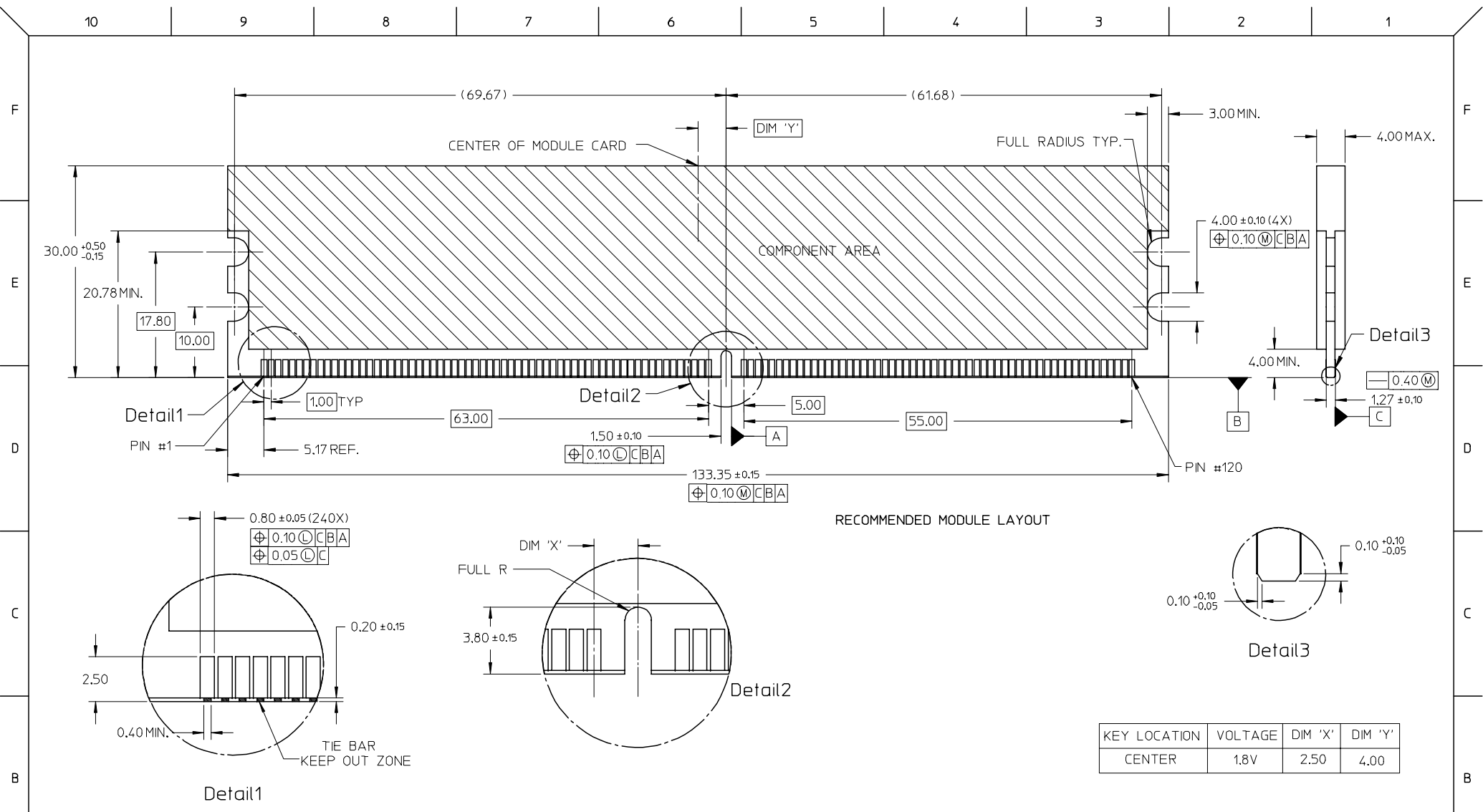
B

A



ADDED OPTION EC NO: S2008-0329 DRWN: CTEH CHKD: TYANG01 APPR: SILENI	2007/10/24 2007/10/24 2007/10/25	DESCRIPTION REV	QUALITY SYMBOLS	GENERAL TOLERANCES (UNLESS SPECIFIED) <table border="1"> <thead> <tr> <th></th> <th>mm</th> <th>INCH</th> </tr> </thead> <tbody> <tr> <td>4 PLACES</td> <td>± ---</td> <td>± ---</td> </tr> <tr> <td>3 PLACES</td> <td>± ---</td> <td>± ---</td> </tr> <tr> <td>2 PLACES</td> <td>± 0.25</td> <td>± ---</td> </tr> <tr> <td>1 PLACE</td> <td>± ---</td> <td>± ---</td> </tr> <tr> <td colspan="3">ANGULAR ± 5 °</td> </tr> </tbody> </table>		mm	INCH	4 PLACES	± ---	± ---	3 PLACES	± ---	± ---	2 PLACES	± 0.25	± ---	1 PLACE	± ---	± ---	ANGULAR ± 5 °			DIMENSION STYLE MM ONLY	SCALE NTS	DESIGN UNITS METRIC	THIRD ANGLE PROJECTION
					mm	INCH																				
			4 PLACES		± ---	± ---																				
			3 PLACES		± ---	± ---																				
2 PLACES	± 0.25	± ---																								
1 PLACE	± ---	± ---																								
ANGULAR ± 5 °																										
▽=0 ◻=0	DRAWN BY JTAN	DATE 2004/05/11	TITLE DDR2 DIMM, 1.00MM PITCH 240 CKTS, 22.5 DEG																							
	CHECKED BY MLONG	DATE 2004/06/11	MOLEX INCORPORATED																							
	APPROVED BY GGLEE	DATE 2004/06/11	DOCUMENT NO. SD-87916-001																							
A1			DRAFT WHERE APPLICABLE MUST REMAIN WITHIN DIMENSIONS	MATERIAL NO. SEE TABLE	SHEET NO. 2 OF 5																					

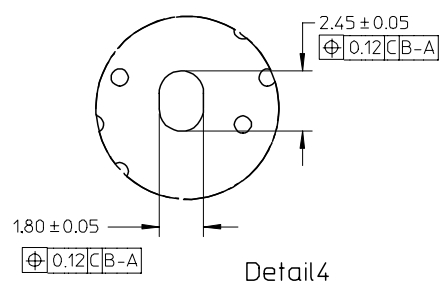
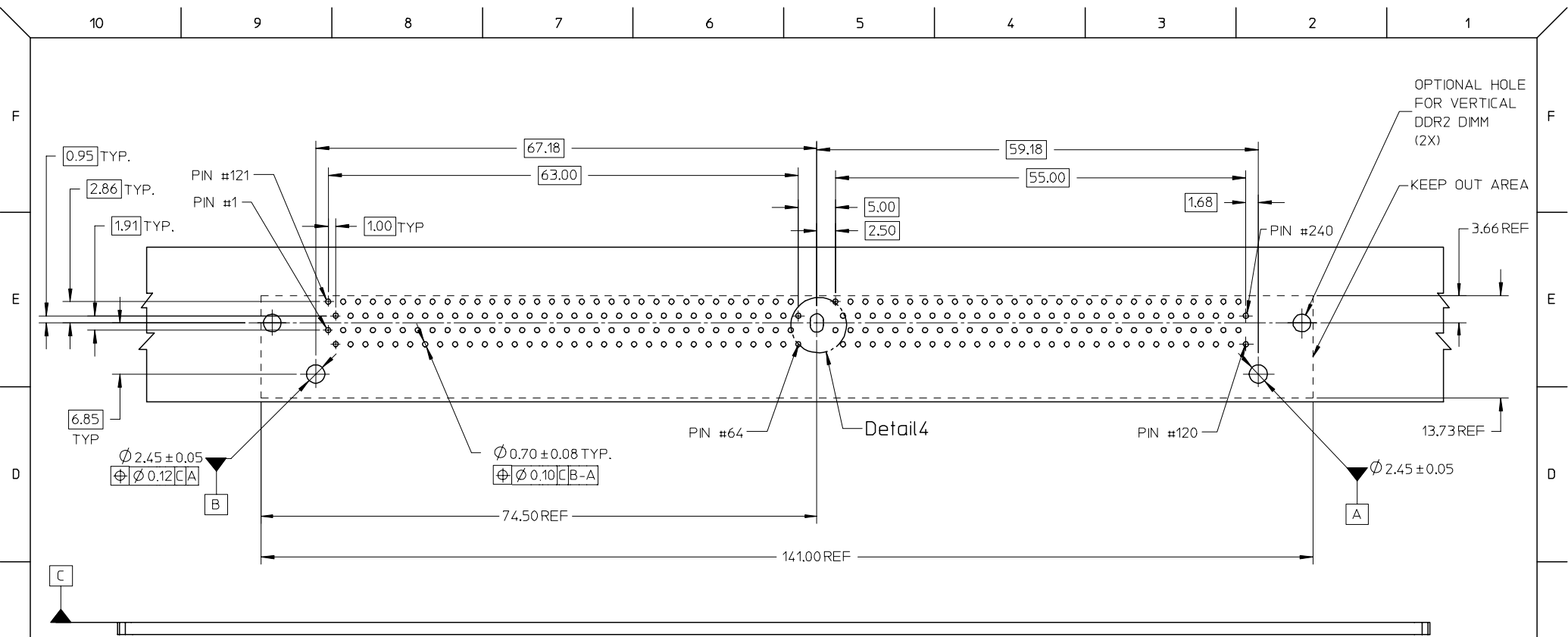
9 8 7 6 5 4 3 2 1



RECOMMENDED MODULE LAYOUT

KEY LOCATION	VOLTAGE	DIM 'X'	DIM 'Y'
CENTER	1.8V	2.50	4.00

ADDED OPTION EC NO: S2008-0329 DRWN: CTEH CHKD: TYANG01 APPR: SILENI	2007/10/24 2007/10/24 2007/10/25	QUALITY SYMBOLS ▽=0 ◻=0	GENERAL TOLERANCES (UNLESS SPECIFIED)		DIMENSION STYLE MM ONLY		SCALE NTS	DESIGN UNITS METRIC	THIRD ANGLE PROJECTION	
				mm	INCH	DRAWN BY	DATE	TITLE DDR2 DIMM, 1.00MM PITCH 240 CKTS, 22.5 DEG		
			4 PLACES	± ---	± ---	JTAN	2004/05/11			
			3 PLACES	± ---	± ---	CHECKED BY	DATE			
	± 0.25	± ---	MLONG	2004/06/11	APPROVED BY GGLEE 2004/06/11		MOLEX INCORPORATED			
2 PLACES	± ---	± ---								
1 PLACE	± ---	± ---	MATERIAL NO.		DOCUMENT NO.		SHEET NO.			
DRAFT WHERE APPLICABLE MUST REMAIN WITHIN DIMENSIONS			SEE TABLE		SD-87916-001		3 OF 5			
THIS DRAWING CONTAINS INFORMATION THAT IS PROPRIETARY TO MOLEX INCORPORATED AND SHOULD NOT BE USED WITHOUT WRITTEN PERMISSION										



ADDED OPTION EC NO: S2008-0329 DRWN: CTEH CHKD: TYANG01 APPR: SILENI	2007/10/24 2007/10/24 2007/10/25	QUALITY SYMBOLS ▽=0 ▽=0	GENERAL TOLERANCES (UNLESS SPECIFIED)		DIMENSION STYLE MM ONLY		SCALE NTS	DESIGN UNITS METRIC	THIRD ANGLE PROJECTION		
			4 PLACES ± --- ± --- 3 PLACES ± --- ± --- 2 PLACES ± 0.25 ± --- 1 PLACE ± --- ± ---	mm INCH	DRAWN BY JTAN	DATE 2004/05/11	TITLE DDR2 DIMM, 1.00MM PITCH 240 CKTS, 22.5 DEG				
			ANGULAR ± 5 °	APPROVED BY GGLEE	DATE 2004/06/11	MOLEX INCORPORATED					
			DRAFT WHERE APPLICABLE MUST REMAIN WITHIN DIMENSIONS	SEE TABLE		MATERIAL NO. SD-87916-001	DOCUMENT NO.	SHEET NO. 4 OF 5			

10 9 8 7 6 5 4 3 2 1

F

F

E

E

D

D

C

C

B

B

A

A

PART NO.	VOLTAGE KEY	DIM 'P'	DIM 'O'	RECOMMENDED PCB THICKNESS	CONTACT AREA PLATING	SOLDERTAIL PLATING
87916-0001	1.8V	2.79	3.18	1.57	0.76µM/ 30µ" GOLD OVER 1.27µM/ 50µ" MIN NICKEL	2.54µM/ 100µ" MIN. TIN OVER 1.27µM/ 50µ" MIN NICKEL
87916-0011		3.18	4.83	2.36		
87916-0111		4.00		3.20		

ADDED OPTION EC NO: S2008-0329 DRWN: CTEH CHKD: TYANG01 APPR: SILENI	2007/10/24 2007/10/24 2007/10/25	QUALITY SYMBOLS ▽=0 ▽=0	GENERAL TOLERANCES (UNLESS SPECIFIED)		DIMENSION STYLE MM ONLY		SCALE NTS	DESIGN UNITS METRIC	THIRD ANGLE PROJECTION		
			4 PLACES ± --- ± ---	mm INCH	DRAWN BY JTAN	DATE 2004/05/11	TITLE DDR2 DIMM, 1.00MM PITCH 240 CKTS, 22.5 DEG				
			3 PLACES ± --- ± ---		CHECKED BY MLONG	DATE 2004/06/11					
			2 PLACES ± 0.25 ± ---		APPROVED BY GGLEE	DATE 2004/06/11	MOLEX INCORPORATED				
			1 PLACE ± --- ± ---		MATERIAL NO.		DOCUMENT NO.		SHEET NO.		
DRAFT WHERE APPLICABLE MUST REMAIN WITHIN DIMENSIONS			SEE TABLE		SD-87916-001		5 OF 5				
A1			SIZE A3		THIS DRAWING CONTAINS INFORMATION THAT IS PROPRIETARY TO MOLEX INCORPORATED AND SHOULD NOT BE USED WITHOUT WRITTEN PERMISSION						

9 8 7 6 5 4 3 2 1

Компания «Океан Электроники» предлагает заключение долгосрочных отношений при поставках импортных электронных компонентов на взаимовыгодных условиях!

Наши преимущества:

- Поставка оригинальных импортных электронных компонентов напрямую с производств Америки, Европы и Азии, а так же с крупнейших складов мира;
- Широкая линейка поставок активных и пассивных импортных электронных компонентов (более 30 млн. наименований);
- Поставка сложных, дефицитных, либо снятых с производства позиций;
- Оперативные сроки поставки под заказ (от 5 рабочих дней);
- Экспресс доставка в любую точку России;
- Помощь Конструкторского Отдела и консультации квалифицированных инженеров;
- Техническая поддержка проекта, помощь в подборе аналогов, поставка прототипов;
- Поставка электронных компонентов под контролем ВП;
- Система менеджмента качества сертифицирована по Международному стандарту ISO 9001;
- При необходимости вся продукция военного и аэрокосмического назначения проходит испытания и сертификацию в лаборатории (по согласованию с заказчиком);
- Поставка специализированных компонентов военного и аэрокосмического уровня качества (Xilinx, Altera, Analog Devices, Intersil, Interpoint, Microsemi, Actel, Aeroflex, Peregrine, VPT, Syfer, Eurofarad, Texas Instruments, MS Kennedy, Miteq, Cobham, E2V, MA-COM, Hittite, Mini-Circuits, General Dynamics и др.);

Компания «Океан Электроники» является официальным дистрибьютором и эксклюзивным представителем в России одного из крупнейших производителей разъемов военного и аэрокосмического назначения «JONHON», а так же официальным дистрибьютором и эксклюзивным представителем в России производителя высокотехнологичных и надежных решений для передачи СВЧ сигналов «FORSTAR».



JONHON

«JONHON» (основан в 1970 г.)

Разъемы специального, военного и аэрокосмического назначения:

(Применяются в военной, авиационной, аэрокосмической, морской, железнодорожной, горно- и нефтедобывающей отраслях промышленности)

«FORSTAR» (основан в 1998 г.)

ВЧ соединители, коаксиальные кабели,
кабельные сборки и микроволновые компоненты:

(Применяются в телекоммуникациях гражданского и специального назначения, в средствах связи, РЛС, а так же военной, авиационной и аэрокосмической отраслях промышленности).



Телефон: 8 (812) 309-75-97 (многоканальный)

Факс: 8 (812) 320-03-32

Электронная почта: ocean@oceanchips.ru

Web: <http://oceanchips.ru/>

Адрес: 198099, г. Санкт-Петербург, ул. Калинина, д. 2, корп. 4, лит. А