
**SMALL PACKAGE
VOLTAGE REGULATOR
RQ5RW SERIES**

APPLICATION MANUAL

RICOH

ELECTRONIC DEVICES DIVISION

NO. EA-048-9803

NOTICE

1. The products and the product specifications described in this application manual are subject to change or discontinuation of production without notice for reasons such as improvement. Therefore, before deciding to use the products, please refer to Ricoh sales representatives for the latest information thereon.
2. This application manual may not be copied or otherwise reproduced in whole or in part without prior written consent of Ricoh.
3. Please be sure to take any necessary formalities under relevant laws or regulations before exporting or otherwise taking out of your country the products or the technical information described herein.
4. The technical information described in this application manual shows typical characteristics of and example application circuits for the products. The release of such information is not to be construed as a warranty of or a grant of license under Ricoh's or any third party's intellectual property rights or any other rights.
5. The products listed in this document are intended and designed for use as general electronic components in standard applications (office equipment, computer equipment, measuring instruments, consumer electronic products, amusement equipment etc.). Those customers intending to use a product in an application requiring extreme quality and reliability, for example, in a highly specific application where the failure or misoperation of the product could result in human injury or death (aircraft, spacevehicle, nuclear reactor control system, traffic control system, automotive and transportation equipment, combustion equipment, safety devices, life support system etc.) should first contact us.
6. We are making our continuous effort to improve the quality and reliability of our products, but semiconductor products are likely to fail with certain probability. In order prevent any injury to persons or damages to property resulting from such failure, customers should be careful enough to incorporate safety measures in their design, such as redundancy feature, fire-containment feature and fail-safe feature. We do not assume any liability or responsibility for any loss or damage arising from misuse or inappropriate use of the products.
7. Anti-radiation design is not implemented in the products described in this application manual.
8. Please contact Ricoh sales representatives should you have any questions or comments concerning the products or the technical information.

June 1995

RQ5RW SERIES

APPLICATION MANUAL

CONTENTS

| | |
|--|-----------|
| OUTLINE | 1 |
| FEATURES | 1 |
| APPLICATIONS | 1 |
| BLOCK DIAGRAM | 2 |
| SELECTION GUIDE | 2 |
| PIN CONFIGURATION | 3 |
| PIN DESCRIPTION | 3 |
| ABSOLUTE MAXIMUM RATINGS | 3 |
| ELECTRICAL CHARACTERISTICS | 4 |
| ELECTRICAL CHARACTERISTICS BY OUTPUT VOLTAGE | 6 |
| ELECTRICAL CHARACTERISTICS BY OUTPUT VOLTAGE (common characteristics) | 7 |
| OPERATION | 7 |
| TEST CIRCUITS | 8 |
| TYPICAL CHARACTERISTICS | 9 |
| 1) Output Voltage vs. Output Current | 9 |
| 2) Output Voltage vs. Input Voltage | 10 |
| 3) Dropout Voltage vs. Output Current | 11 |
| 4) Output Voltage vs. Temperature | 11 |
| 5) Supply Current vs. Input Voltage | 12 |
| 6) Supply Current vs. Temperature | 13 |
| 7) Dropout Voltage vs. Set Output Voltage | 13 |
| 8) Line Transient Response | 14 |
| 9) Load Transient Response | 15 |
| 10) Ripple Rejection | 16 |

| | |
|-----------------------------------|-----------|
| TYPICAL APPLICATION | 17 |
| PACKAGE DIMENSION | 17 |
| TAPING SPECIFICATION | 18 |

RQ5RW SERIES

OUTLINE

The RQ5RW Series are voltage regulator ICs with high accuracy output voltage and ultra-low supply current developed by CMOS process. Each of these ICs consists of a voltage reference unit, an error amplifier, resistors for setting output voltage and a current limit circuit.

The output voltage of these ICs is fixed with high accuracy.

Even if V_{OUT} is shorted to GND, the included current limit circuit protects the ICs from the destruction.

Furthermore, these ICs have a chip enable function, so that the supply current on standby can be minimized.

Since the package for these ICs are SC-82AB (Super Mini-mold) package, high density mounting of the ICs on boards is possible.

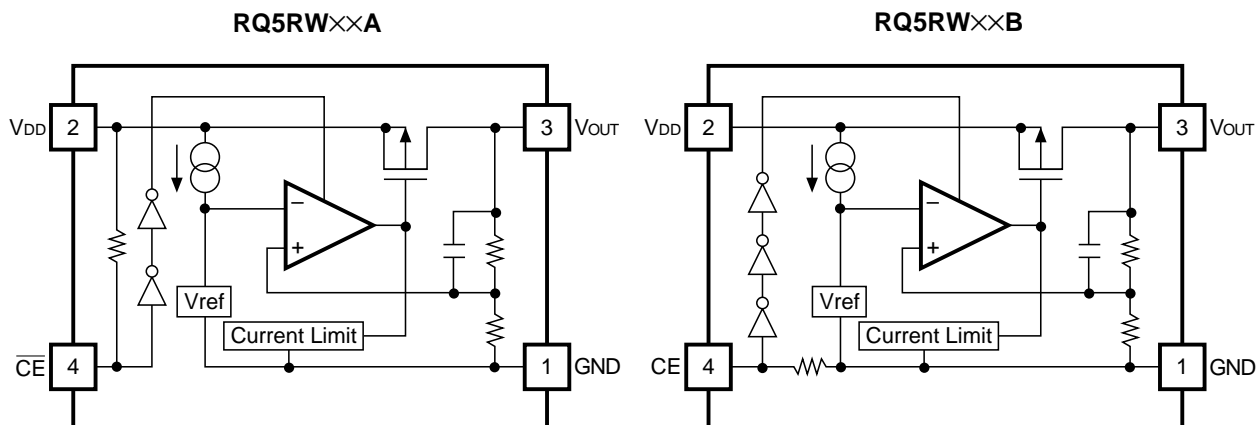
FEATURES

- Ultra-Low Supply Current.....TYP. 1.5 μ A
- Standby CurrentTYP. 0.1 μ A
- Dropout Voltage.....TYP. 40mV ($I_{OUT}=1mA$, RQ5RW30A/B)
- Low Temperature-Drift Coefficient of
Output Voltage.....TYP. $\pm 100ppm/^{\circ}C$
- Excellent Line Regulation.....TYP. 0.05%/V
- High Accuracy Output Voltage..... $\pm 2.0\%$
- Ultra-Small PackageSC-82AB (Super Mini-mold)
- Built-in Current Limit Circuits

APPLICATIONS

- Power source for battery-powered equipment.
- Power source for cameras, VCRs, camcorders, hand-held audio instruments and hand-held communication equipment.
- Precision voltage references.

BLOCK DIAGRAM



SELECTION GUIDE

The output voltage, the active type, the packing type and the taping type for the ICs can be selected at the user's request. The selection can be made by designating the part number as shown below:

RQ5RW $\times\times\times\times$ - $\times\times$ ← Part Number
 $\uparrow \uparrow \uparrow \uparrow$
 a b c d

| Code | Contents |
|------|---|
| a | Setting Output Voltage (VOUT) : Stepwise setting with a step of 0.1V in the range of 2.0V to 6.0V is possible. |
| b | Designation of Chip enable Active Type : A : "L" active type B : "H" active type |
| c | Designation of Packing Type : A : Taping B : Antistatic bag (for Sample only) |
| d | Designation of Taping Type : TR (refer to Taping Specifications) |

PIN CONFIGURATION



PIN DESCRIPTION

| Pin No. | Symbol | Pin Description |
|---------|------------------------------|-----------------|
| 1 | GND | Ground Pin |
| 2 | V _{DD} | Input Pin |
| 3 | V _{OUT} | Output Pin |
| 4 | $\overline{\text{CE}}$ or CE | Chip Enable Pin |

ABSOLUTE MAXIMUM RATINGS

| Symbol | Item | Rating | Unit |
|------------------|--|------------------------------|------|
| V _{IN} | Input Voltage | 9 | V |
| V _{CE} | Input Voltage for CE/ $\overline{\text{CE}}$ Pin | -0.3 to V _{IN} +0.3 | V |
| V _{OUT} | Output Voltage | -0.3 to V _{IN} +0.3 | V |
| I _{OUT} | Output Current | 150 | mA |
| P _D | Power Dissipation | 150 | mW |
| T _{opt} | Operating Temperature | -40 to +85 | °C |
| T _{stg} | Storage Temperature | -55 to +125 | °C |

ABSOLUTE MAXIMUM RATINGS

Absolute Maximum ratings are threshold limit values that must not be exceeded even for an instant under any conditions. Moreover, such values for any two items must not be reached simultaneously. Operation above these absolute maximum ratings may cause degradation or permanent damage to the device. These are stress ratings only and do not necessarily imply functional operation below these limits.

ELECTRICAL CHARACTERISTICS

• RQ5RW30A

T_{opt}=25°C

| Symbol | Item | Conditions | MIN. | TYP. | MAX. | Unit |
|---|--|---|-------|-------|-------|--------|
| V _{OUT} | Output Voltage | V _{IN} =5.0V 10μA≤I _{OUT} ≤10mA | 2.940 | 3.000 | 3.060 | V |
| I _{OUT} | Output Current | V _{IN} =5.0V | 50 | | | mA |
| $\frac{\Delta V_{OUT}}{\Delta I_{OUT}}$ | Load Regulation | V _{IN} =5.0V 1mA≤I _{OUT} ≤50mA | | 40 | 60 | mV |
| V _{DIF} | Dropout Voltage | I _{OUT} =1mA | | 40 | 60 | mV |
| I _{SS} | Supply Current | V _{IN} =5.0V | | 1.5 | 3.0 | μA |
| I _{standby} | Standby Current | V _{IN} =5.0V, V _{CE} =5.0V | | 0.1 | 1.0 | μA |
| $\frac{\Delta V_{OUT}}{\Delta V_{IN}}$ | Line Regulation | I _{OUT} =1mA V _{OUT} +0.5V≤V _{IN} ≤8V | 0 | 0.05 | 0.20 | %/V |
| V _{IN} | Input Voltage | | | | 8.0 | V |
| $\frac{\Delta V_{OUT}}{\Delta T_{opt}}$ | Output Voltage Temperature Coefficient | I _{OUT} =10mA -40°C≤T _{opt} ≤85°C | | ±100 | | ppm/°C |
| I _{lim} | Short Current Limit | | | 40 | | mA |
| R _{PU} | Pull up resistance for \overline{CE} pin | | 1.5 | 4.0 | 12.0 | MΩ |
| V _{CEH} | \overline{CE} Input Voltage "H" | | 1.5 | | | V |
| V _{CEL} | \overline{CE} Input Voltage "L" | | | | 0.25 | V |

• RQ5RW30B

T_{opt}=25°C

| Symbol | Item | Conditions | MIN. | TYP. | MAX. | Unit |
|---|---|---|-------|-------|-------|--------|
| V _{OUT} | Output Voltage | V _{IN} =5.0V 10μA≤I _{OUT} ≤10mA | 2.940 | 3.000 | 3.060 | V |
| I _{OUT} | Output Current | V _{IN} =5.0V | 50 | | | mA |
| $\frac{\Delta V_{OUT}}{\Delta I_{OUT}}$ | Load Regulation | V _{IN} =5.0V 1mA≤I _{OUT} ≤50mA | | 40 | 60 | mV |
| V _{DIF} | Dropout Voltage | I _{OUT} =1mA | | 40 | 60 | mV |
| I _{SS} | Supply Current | V _{IN} =5.0V | | 1.5 | 3.0 | μA |
| I _{standby} | Standby Current | V _{IN} =5.0V, V _{CE} =GND | | 0.1 | 1.0 | μA |
| $\frac{\Delta V_{OUT}}{\Delta V_{IN}}$ | Line Regulation | I _{OUT} =1mA V _{OUT} +0.5V≤V _{IN} ≤8V | 0 | 0.05 | 0.20 | %/V |
| V _{IN} | Input Voltage | | | | 8.0 | V |
| $\frac{\Delta V_{OUT}}{\Delta T_{opt}}$ | Output Voltage Temperature Coefficient | I _{OUT} =1mA -40°C≤T _{opt} ≤85°C | | ±100 | | ppm/°C |
| I _{lim} | Short Current Limit | | | 40 | | mA |
| R _{PD} | Pull down resistance for CE pin | | 1.5 | 4.0 | 12.0 | MΩ |
| V _{CEH} | CE Input Voltage "H" | | 1.5 | | | V |
| V _{CEL} | CE Input Voltage "L" | | | | 0.25 | V |

ELECTRICAL CHARACTERISTICS BY OUTPUT VOLTAGE

T_{opt}=25°C

| Part Number | Output Voltage | | | | Output Current | | | Load Regulation | | | Dropout Voltage | | |
|-------------|--|-------|-------|-------|--|------|------|---|------|------|--------------------------|------|------|
| | V _{out} (V) | | | | I _{out} (mA) | | | ΔV _{out} /ΔI _{out} (mV) | | | V _{DIF} (mV) | | |
| | Conditions | MIN. | TYP. | MAX. | Conditions | MIN. | TYP. | Conditions | TYP. | MAX. | Conditions | TYP. | MAX. |
| RQ5RW20 | V _{IN} - V _{OUT} =2.0V 10μA≤ I _{OUT} ≤10mA | 1.960 | 2.000 | 2.040 | V _{IN} - V _{OUT} =2.0V | 35 | | V _{IN} - V _{OUT} =2.0V 1mA≤ I _{OUT} ≤35mA | 30 | 45 | I _{OUT} =1mA | 60 | 90 |
| RQ5RW21 | | 2.058 | 2.100 | 2.142 | | | | | | | | | |
| RQ5RW22 | | 2.156 | 2.200 | 2.244 | | | | | | | | | |
| RQ5RW23 | | 2.254 | 2.300 | 2.346 | | | | | | | | | |
| RQ5RW24 | | 2.352 | 2.400 | 2.448 | | | | | | | | | |
| RQ5RW25 | | 2.450 | 2.500 | 2.550 | | | | | | | | | |
| RQ5RW26 | | 2.548 | 2.600 | 2.652 | | | | | | | | | |
| RQ5RW27 | | 2.646 | 2.700 | 2.754 | | | | | | | | | |
| RQ5RW28 | | 2.744 | 2.800 | 2.856 | | | | | | | | | |
| RQ5RW29 | | 2.842 | 2.900 | 2.958 | | | | | | | | | |
| RQ5RW30 | | 2.940 | 3.000 | 3.060 | | | | | | | | | |
| RQ5RW31 | | 3.038 | 3.100 | 3.162 | | | | | | | | | |
| RQ5RW32 | | 3.136 | 3.200 | 3.264 | | | | | | | | | |
| RQ5RW33 | | 3.234 | 3.300 | 3.366 | | | | | | | | | |
| RQ5RW34 | | 3.332 | 3.400 | 3.468 | | | | | | | | | |
| RQ5RW35 | | 3.430 | 3.500 | 3.570 | | | | | | | | | |
| RQ5RW36 | | 3.528 | 3.600 | 3.672 | | | | | | | | | |
| RQ5RW37 | | 3.626 | 3.700 | 3.774 | | | | | | | | | |
| RQ5RW38 | | 3.724 | 3.800 | 3.876 | | | | | | | | | |
| RQ5RW39 | | 3.822 | 3.900 | 3.978 | | | | | | | | | |
| RQ5RW40 | | 3.920 | 4.000 | 4.080 | | | | | | | | | |
| RQ5RW41 | | 4.018 | 4.100 | 4.182 | | | | | | | | | |
| RQ5RW42 | | 4.116 | 4.200 | 4.284 | | | | | | | | | |
| RQ5RW43 | | 4.214 | 4.300 | 4.386 | | | | | | | | | |
| RQ5RW44 | | 4.312 | 4.400 | 4.488 | | | | | | | | | |
| RQ5RW45 | | 4.410 | 4.500 | 4.590 | | | | | | | | | |
| RQ5RW46 | | 4.508 | 4.600 | 4.692 | | | | | | | | | |
| RQ5RW47 | | 4.606 | 4.700 | 4.794 | | | | | | | | | |
| RQ5RW48 | | 4.704 | 4.800 | 4.896 | | | | | | | | | |
| RQ5RW49 | | 4.802 | 4.900 | 4.998 | | | | | | | | | |
| RQ5RW50 | 4.900 | 5.000 | 5.100 | | | | | | | | | | |
| RQ5RW51 | 4.998 | 5.100 | 5.202 | | | | | | | | | | |
| RQ5RW52 | 5.096 | 5.200 | 5.304 | | | | | | | | | | |
| RQ5RW53 | 5.194 | 5.300 | 5.406 | | | | | | | | | | |
| RQ5RW54 | 5.292 | 5.400 | 5.508 | | | | | | | | | | |
| RQ5RW55 | 5.390 | 5.500 | 5.610 | | | | | | | | | | |
| RQ5RW56 | 5.488 | 5.600 | 5.712 | | | | | | | | | | |
| RQ5RW57 | 5.586 | 5.700 | 5.814 | | | | | | | | | | |
| RQ5RW58 | 5.684 | 5.800 | 5.916 | | | | | | | | | | |
| RQ5RW59 | 5.782 | 5.900 | 6.018 | | | | | | | | | | |
| RQ5RW60 | 5.880 | 6.000 | 6.120 | | | | | | | | | | |
| | | | | | | 65 | | V _{IN} - V _{OUT} =2.0V 1mA≤ I _{OUT} ≤65mA | 50 | 70 | I _{OUT} =1mA | 25 | 40 |
| | | | | | | | | | | | | | |
| | | | | | | | | | | | | | |
| | | | | | | | | | | | | | |
| | | | | | | | | | | | | | |
| | | | | | | | | | | | | | |
| | | | | | | | | | | | | | |
| | | | | | | | | | | | | | |
| | | | | | | | | | | | | | |
| | | | | | | | | | | | | | |
| | | | | | | | | | | | | | |
| | | | | | | 80 | | V _{IN} - V _{OUT} =2.0V 1mA≤ I _{OUT} ≤80mA | 60 | 90 | I _{OUT} =1mA | 25 | 40 |
| | | | | | | | | | | | | | |
| | | | | | | | | | | | | | |
| | | | | | | | | | | | | | |
| | | | | | | | | | | | | | |
| | | | | | | | | | | | | | |
| | | | | | | | | | | | | | |
| | | | | | | | | | | | | | |
| | | | | | | | | | | | | | |
| | | | | | | | | | | | | | |
| | | | | | | | | | | | | | |

ELECTRICAL CHARACTERISTICS BY OUTPUT VOLTAGE (common characteristics)

T_{opt}=25°C

| Symbol | Item | Conditions | MIN. | TYP. | MAX. | Unit |
|---|---|--|------|------|------|--------|
| I _{SS} | Supply Current | V _{IN} =setV _{OUT} +2.0V | | 1.5 | 3.0 | μA |
| I _{standby} | Standby Current | V _{IN} =setV _{OUT} +2.0V V _{CE} =V _{IN} (RQ5RW××A), V _{CE} =GND(RQ5RW××B) | | 0.1 | 1.0 | μA |
| $\frac{\Delta V_{OUT}}{\Delta V_{IN}}$ | Line Regulation | I _{OUT} =1mA setV _{OUT} +0.5V ≤ V _{IN} ≤ 8V | 0 | 0.05 | 0.20 | %/V |
| V _{IN} | Input Voltage | | | | 8.0 | V |
| $\frac{\Delta V_{OUT}}{\Delta T_{opt}}$ | Output Voltage Temperature Coefficient | I _{OUT} =10mA -40°C ≤ T _{opt} ≤ 85°C | | ±100 | | ppm/°C |
| I _{lim} | Short Current Limit | | | 40 | | mA |
| R _{PU} /R _{PD} | \overline{CE} Pull-up / CE Pull-down Resistance | | 1.5 | 4.0 | 12.0 | MΩ |
| V _{CEH} | \overline{CE} /CE Input Voltage “H” | | 1.5 | | | V |
| V _{CEL} | \overline{CE} /CE Input Voltage “L” | | | | 0.25 | V |

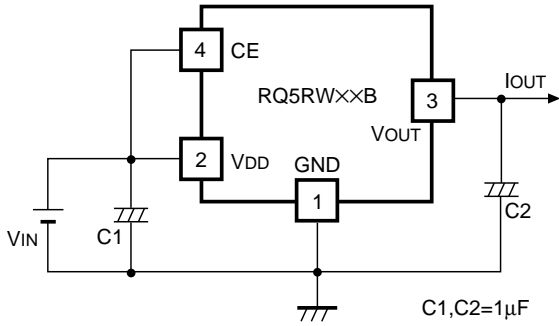
OPERATION



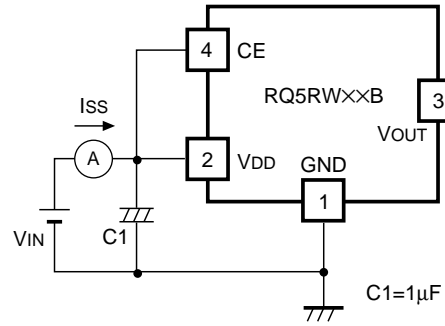
In these ICs, Output Voltage V_{OUT} is detected by Feed-back Registers R1, R2, and the detected Output Voltage is compared with a reference voltage by Error Amplifier, so that a constant voltage is output.

A current limit circuit working for Short Protect and a chip enable circuit are included.

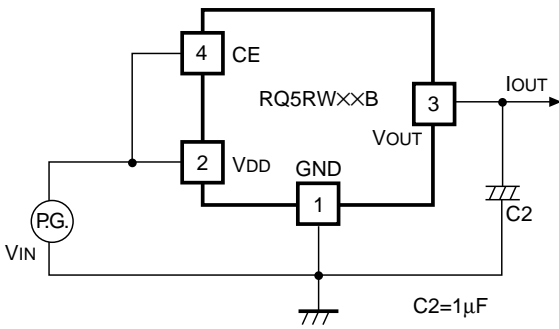
TEST CIRCUITS



Standard Test Circuit



Test Circuit for Supply Current



Test Circuit for Ripple Rejection and Line Transient Response



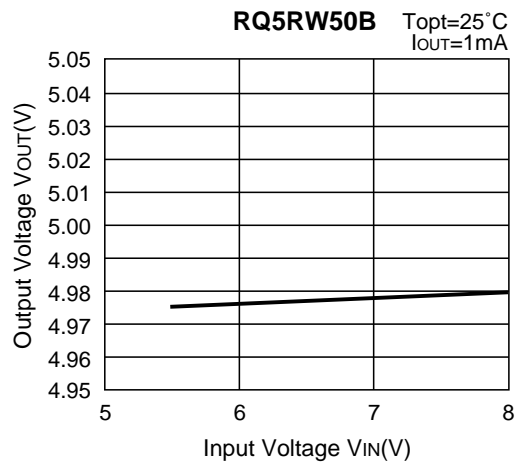
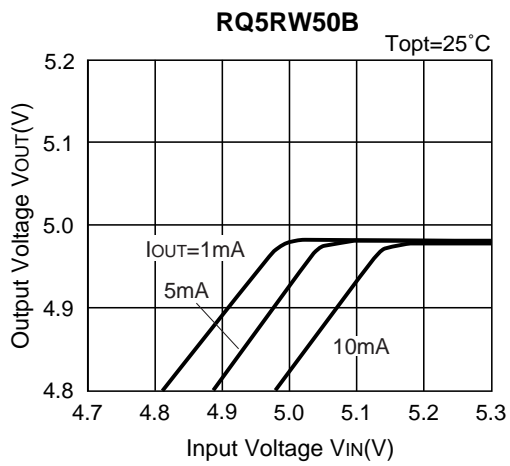
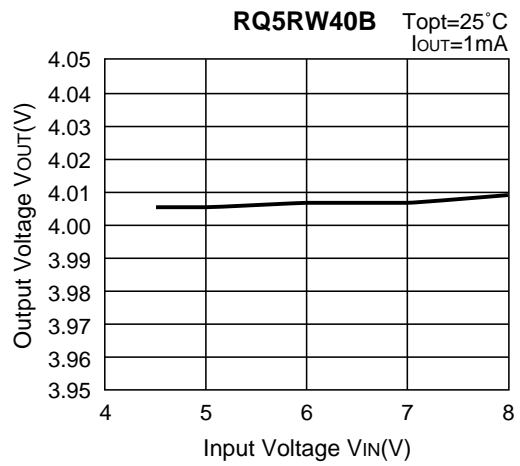
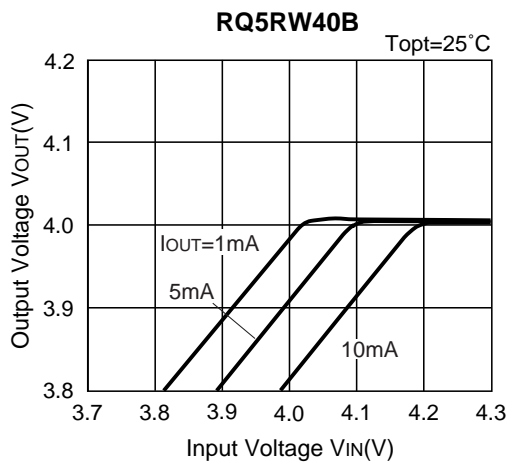
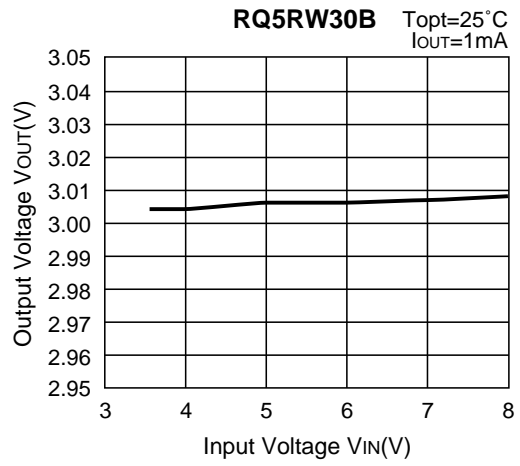
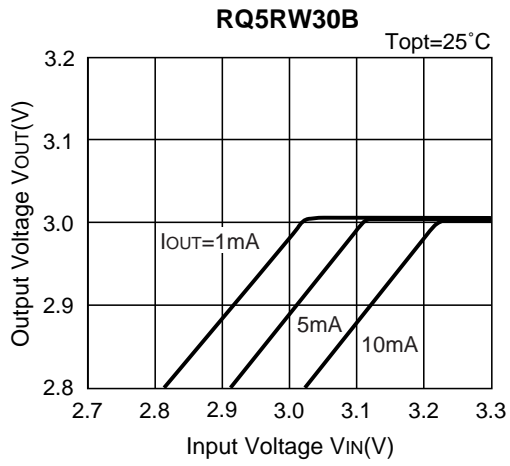
Test Circuit for Load Transient Response

TYPICAL CHARACTERISTICS

1) Output Voltage vs. Output Current



2) Output Voltage vs. Input Voltage



3) Dropout Voltage vs. Output Current

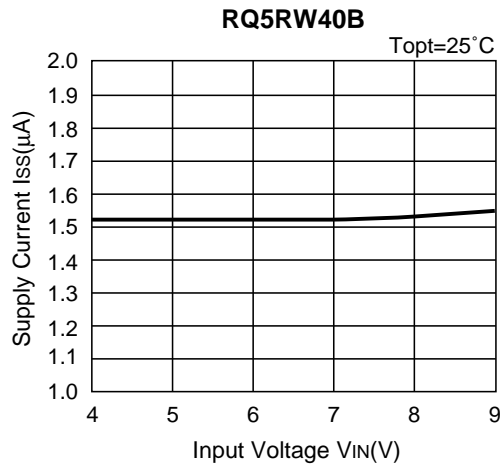
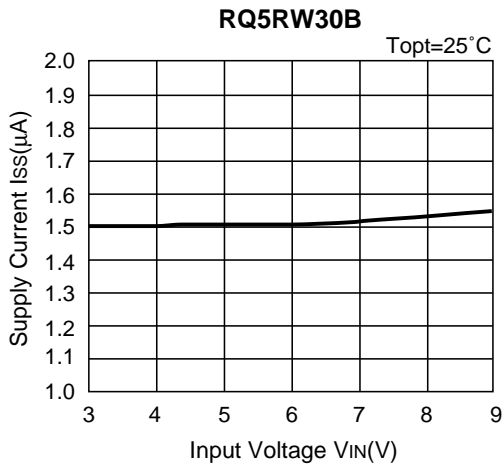


4) Output Voltage vs. Temperature

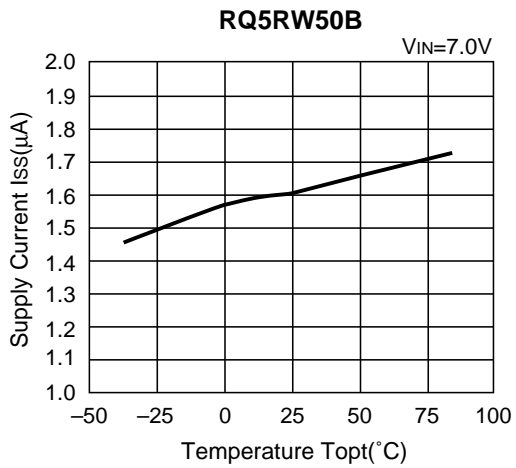
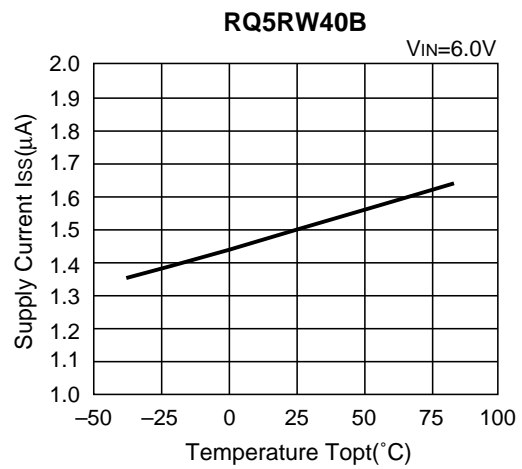
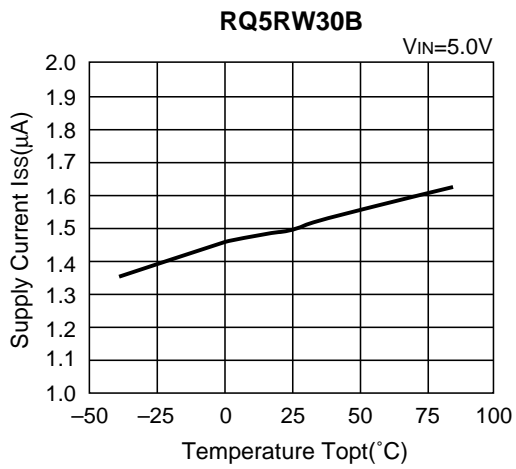




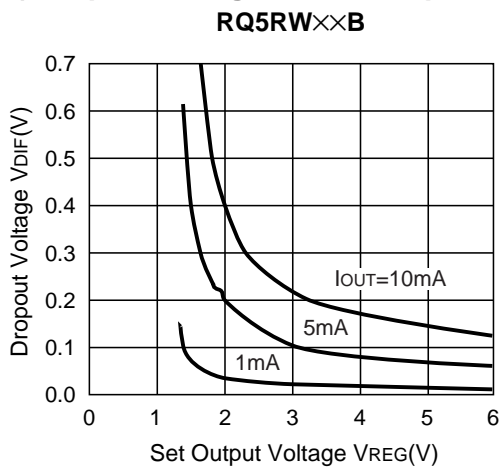
5) Supply Current vs. Input Voltage



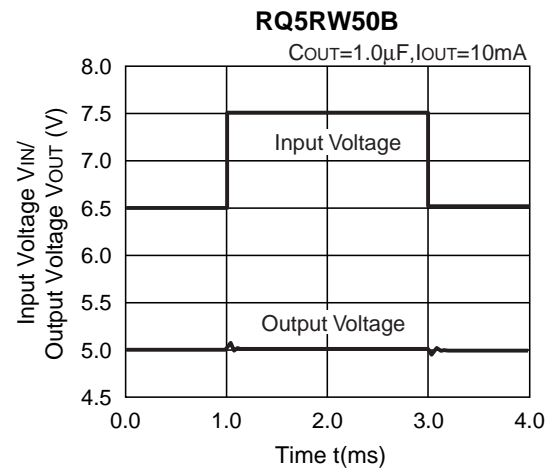
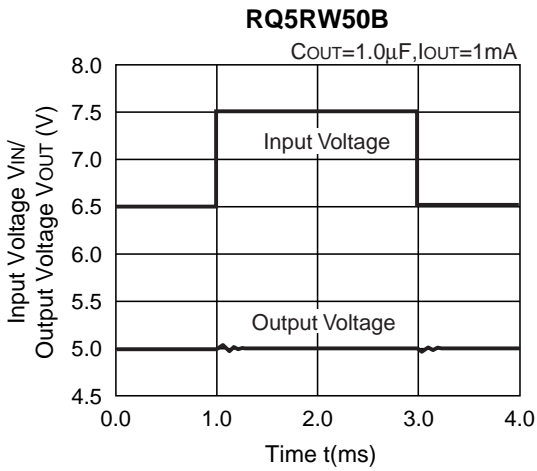
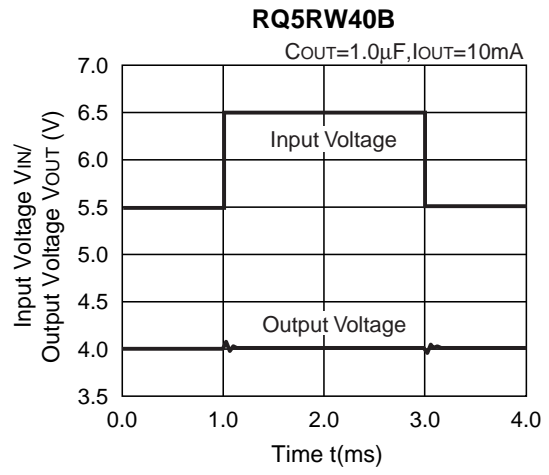
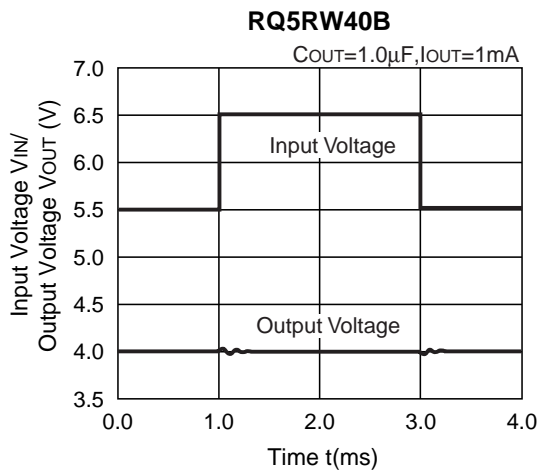
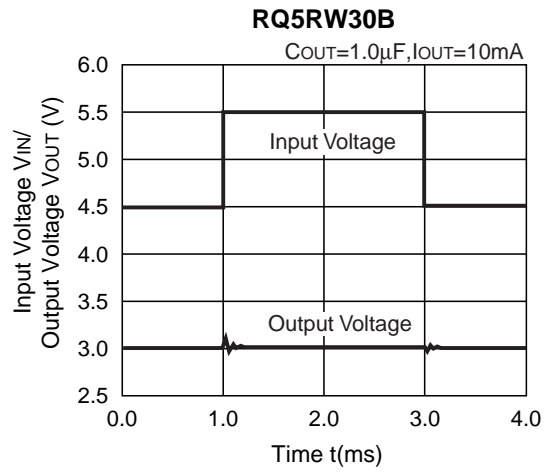
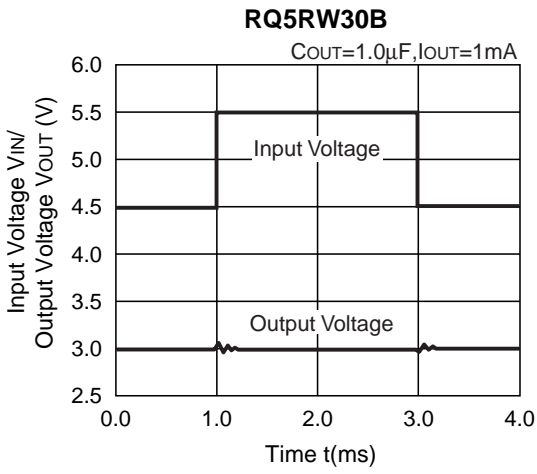
6) Supply Current vs. Temperature



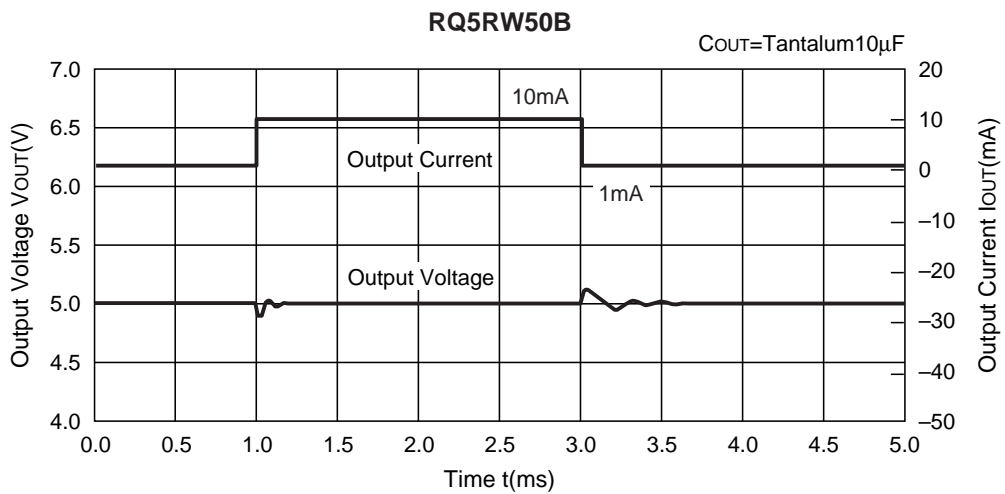
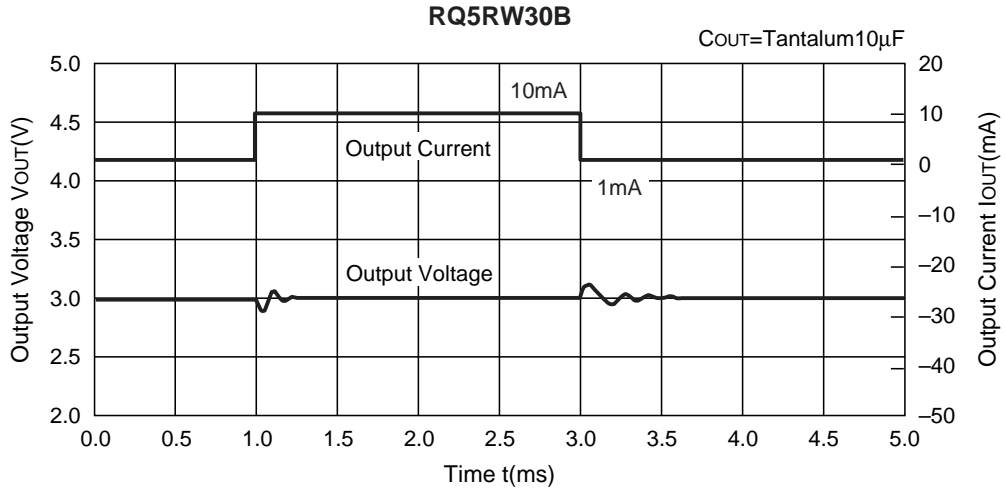
7) Dropout Voltage vs. Set Output Voltage



8) Line Transient Response



9) Load Transient Response



10) Ripple Rejection

RQ5RW30B

$V_{IN}=5V_{DC}+0.5V_{p-p}$
 $I_{OUT}=10mA$
 $C_{OUT}=1\mu F$



RQ5RW40B

$V_{IN}=6V_{DC}+0.5V_{p-p}$
 $I_{OUT}=10mA$
 $C_{OUT}=1\mu F$

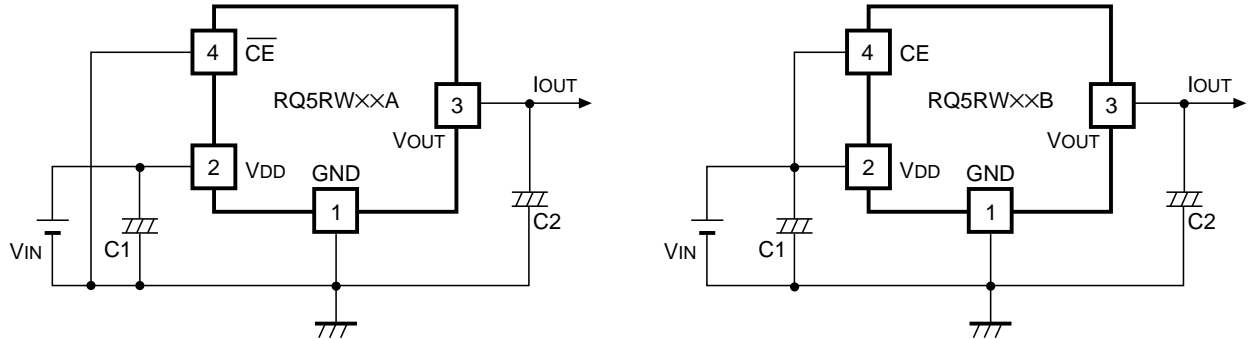


RQ5RW50B

$V_{IN}=7V_{DC}+0.5V_{p-p}$
 $I_{OUT}=10mA$
 $C_{OUT}=1\mu F$



TYPICAL APPLICATION

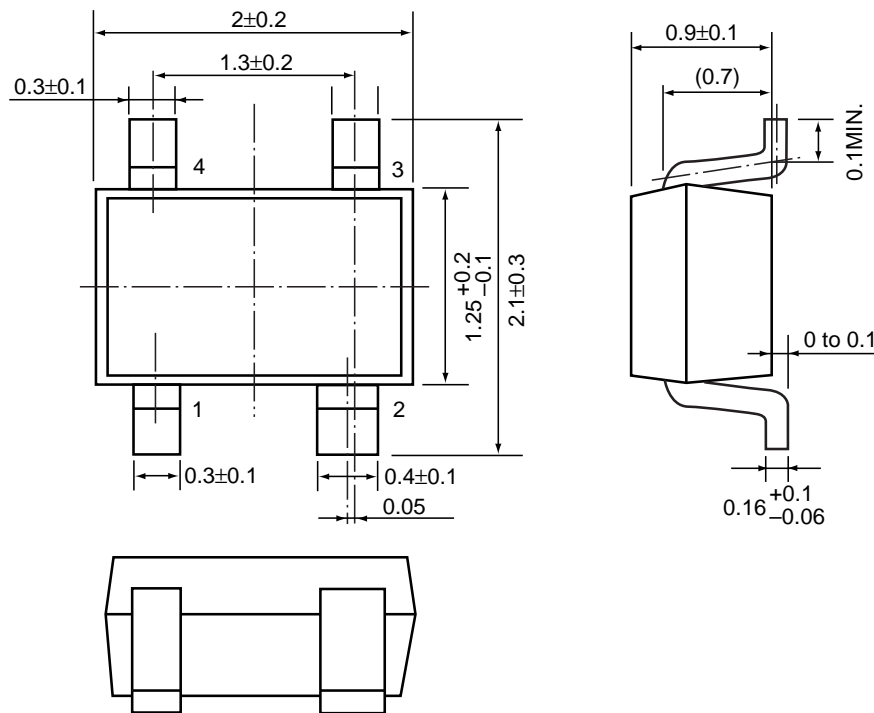


In RQ5RW Series, a constant voltage can be obtained without using Capacitor C1 and C2. However, when the wire connected V_{IN} is long, use Capacitor C1. Output noise can be reduced by using Capacitor 2.

Insert Capacitors C1 and C2 with the capacitance of $0.1\mu\text{F}$ to $0.2\mu\text{F}$ between Input/Output Pins and GND Pin with minimum wiring.

PACKAGE DIMENSION (Unit : mm)

• SC-82AB



TAPING SPECIFICATION (Unit : mm)

- SC82AB





RICOH COMPANY, LTD.
ELECTRONIC DEVICES DIVISION

HEADQUARTERS

13-1, Himemuro-cho, Ikeda City, Osaka 563-8501, JAPAN
Phone 81-727-53-1111 Fax 81-727-53-6011

YOKOHAMA OFFICE (International Sales)

3-2-3, Shin-Yokohama, Kohoku-ku, Yokohama City, Kanagawa 222-8530,
JAPAN
Phone 81-45-477-1697 Fax 81-45-477-1694 • 1695
<http://www.ricoh.co.jp/LSI/english/>

RICOH CORPORATION
ELECTRONIC DEVICES DIVISION

SAN JOSE OFFICE

3001 Orchard Parkway, San Jose, CA 95134-2088, U.S.A.
Phone 1-408-432-8800 Fax 1-408-432-8375

Компания «Океан Электроники» предлагает заключение долгосрочных отношений при поставках импортных электронных компонентов на взаимовыгодных условиях!

Наши преимущества:

- Поставка оригинальных импортных электронных компонентов напрямую с производств Америки, Европы и Азии, а так же с крупнейших складов мира;
- Широкая линейка поставок активных и пассивных импортных электронных компонентов (более 30 млн. наименований);
- Поставка сложных, дефицитных, либо снятых с производства позиций;
- Оперативные сроки поставки под заказ (от 5 рабочих дней);
- Экспресс доставка в любую точку России;
- Помощь Конструкторского Отдела и консультации квалифицированных инженеров;
- Техническая поддержка проекта, помощь в подборе аналогов, поставка прототипов;
- Поставка электронных компонентов под контролем ВП;
- Система менеджмента качества сертифицирована по Международному стандарту ISO 9001;
- При необходимости вся продукция военного и аэрокосмического назначения проходит испытания и сертификацию в лаборатории (по согласованию с заказчиком);
- Поставка специализированных компонентов военного и аэрокосмического уровня качества (Xilinx, Altera, Analog Devices, Intersil, Interpoint, Microsemi, Actel, Aeroflex, Peregrine, VPT, Syfer, Eurofarad, Texas Instruments, MS Kennedy, Miteq, Cobham, E2V, MA-COM, Hittite, Mini-Circuits, General Dynamics и др.);

Компания «Океан Электроники» является официальным дистрибьютором и эксклюзивным представителем в России одного из крупнейших производителей разъемов военного и аэрокосмического назначения «JONHON», а так же официальным дистрибьютором и эксклюзивным представителем в России производителя высокотехнологичных и надежных решений для передачи СВЧ сигналов «FORSTAR».



JONHON

«JONHON» (основан в 1970 г.)

Разъемы специального, военного и аэрокосмического назначения:

(Применяются в военной, авиационной, аэрокосмической, морской, железнодорожной, горно- и нефтедобывающей отраслях промышленности)

«FORSTAR» (основан в 1998 г.)

ВЧ соединители, коаксиальные кабели, кабельные сборки и микроволновые компоненты:

(Применяются в телекоммуникациях гражданского и специального назначения, в средствах связи, РЛС, а так же военной, авиационной и аэрокосмической отраслях промышленности).



Телефон: 8 (812) 309-75-97 (многоканальный)

Факс: 8 (812) 320-03-32

Электронная почта: ocean@oceanchips.ru

Web: <http://oceanchips.ru/>

Адрес: 198099, г. Санкт-Петербург, ул. Калинина, д. 2, корп. 4, лит. А