

MAX14689

Ultra-Small, Low- R_{ON} , Beyond-the-Rails™ DPDT Analog Switches

General Description

The MAX14689 ultra-small, low-on-resistance (R_{ON}) double-pole/double-throw (DPDT) analog switches feature Beyond-the-Rails™ capability that allows signals from -5.5V to +5.5V to pass without distortion, even when the power supply is below the signal range. The low on-resistance (0.25Ω) also makes the device ideal for low-distortion switching applications, such as audio or video.

The MAX14689 is fully specified to operate from a single +1.6V to +5.5V power supply. Because of the low supply current requirement, V_{CC} can be provided by a GPIO. When power is not applied, the switches go to a high-impedance mode and all analog signal ports can withstand signals from -5.5V to +5.5V. The switch is controlled with a single control bit, CB.

The MAX14689 is available in a 1.2mm x 1.2mm, 0.4mm pitch, 9-bump wafer-level package (WLP), and operate over the -40°C to $+85^{\circ}\text{C}$ extended temperature range.

Applications

- Smartphones
- Tablets
- Portable Audio/Video Equipment
- Low-Distortion Signal Switches

Beyond-the-Rails™ is a trademark of Maxim Integrated Products, Inc.

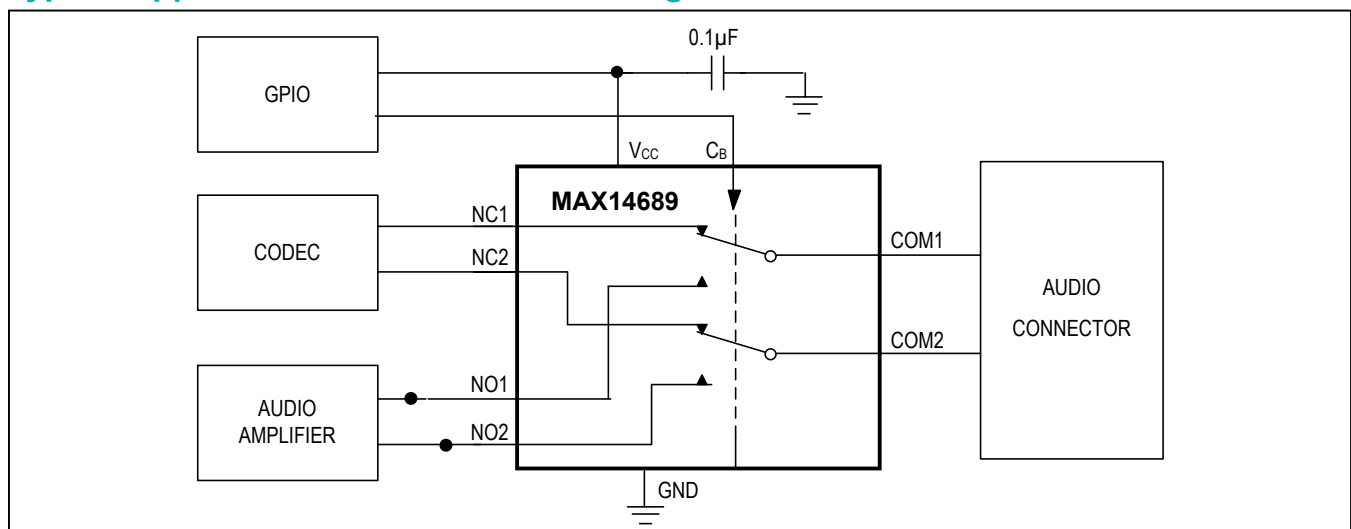
Benefits and Features

- Distortion-Free Beyond-the-Rails Signaling
 - Negative Voltage Audio and Video Signal Capable
 - -5.5V to +5.5V Analog Signal Range Independent from V_{CC}
 - On-Resistance 0.25Ω (typ)
 - +1.6V to +5.5V Single-Supply Range
 - Total Harmonic Distortion Plus Noise 0.001% (typ)
 - On-Resistance Flatness 0.001Ω (typ)
- Low Supply Current $40\mu\text{A}$ (typ) at 1.6V
 - Can be Powered by GPIO
 - High-Impedance Mode when V_{CC} Not Applied
- ESD Protection on COM_-
 - $\pm 15\text{kV}$ Human Body Model
 - $\pm 10\text{kV}$ IEC 61000-4-2 Air Gap
 - $\pm 8\text{kV}$ IEC 61000-4-2 Contact
- ESD Protection on NC_- and NO_-
 - $\pm 15\text{kV}$ Human Body Model
- Design Flexibility
 - Break-Before-Make Operation
 - 9-Bump WLP (1.2mm x 1.2mm) Package
 - -40°C to $+85^{\circ}\text{C}$ Operating Temperature Range

Ordering Information appears at end of data sheet.

For related parts and recommended products to use with this part, refer to www.maximintegrated.com/MAX14689.related.

Typical Application Circuit/Functional Diagram



Absolute Maximum Ratings

(All voltages referenced to GND.)

V_{CC} , CB	-0.3V to +6V
NC_{-} , NO_{-} , COM_{-}	-6V to +6V
Continuous Current NC_{-} , NO_{-} , COM_{-}	±500mA
Peak Current NC_{-} , NO_{-} , COM_{-} (50% duty cycle).....	±850mA

Continuous Power Dissipation ($T_A = +70^{\circ}C$)	9-Bump WLP (derate 12mW/ $^{\circ}C$ above +70 $^{\circ}C$).....	963.8mW
Operating Temperature Range.....	-40 $^{\circ}C$ to +85 $^{\circ}C$	
Junction Temperature.....	+150 $^{\circ}C$	
Storage Temperature Range.....	-65 $^{\circ}C$ to +150 $^{\circ}C$	
Soldering Temperature (reflow).....	+260 $^{\circ}C$	

Stresses beyond those listed under "Absolute Maximum Ratings" may cause permanent damage to the device. These are stress ratings only, and functional operation of the device at these or any other conditions beyond those indicated in the operational sections of the specifications is not implied. Exposure to absolute maximum rating conditions for extended periods may affect device reliability.

Package Thermal Characteristics (Note 1)

WLP

Junction-to-Ambient Thermal Resistance (θ_{JA}).....83 $^{\circ}C/W$

Note 1: Package thermal resistances were obtained using the method described in JEDEC specification JESD51-7, using a four-layer board. For detailed information on package thermal considerations, refer to www.maximintegrated.com/thermal-tutorial.

Electrical Characteristics

($V_{CC} = +1.6V$ to +5.5V, $T_A = -40^{\circ}C$ to +85 $^{\circ}C$, unless otherwise noted. Typical values are at $V_{CC} = +2.5V$, $T_A = +25^{\circ}C$, unless otherwise noted.) (Note 2)

PARAMETER	SYMBOL	CONDITIONS	MIN	TYP	MAX	UNIT
POWER SUPPLY						
Power-Supply Range	V_{CC}		1.6		5.5	V
Power-Supply Rejection Ratio	PSRR	$R_{COM_{-}} = 32\Omega$, $f = 20kHz$		80		dB
Supply Current	I_{CC}	$V_{CC} = +1.6V$, $V_{CB} = 0V$ or V_{CC}		40	65	μA
		$V_{CC} = +4.2V$, $V_{CB} = 0V$ or V_{CC}		70	125	
ANALOG SWITCH						
Analog Signal Range	$V_{NC_{-}}$, $V_{NO_{-}}$, $V_{COM_{-}}$		-5.5		+5.5	V
On-Resistance	R_{ON}	$V_{COM_{-}} = 0V$, $I_{COM_{-}} = 100mA$ (Note 3)	$V_{CC} = 2.5V$	0.25	0.45	Ω
			$V_{CC} = 1.8V$	0.325	0.55	
On-Resistance Match Between Channels	ΔR_{ON}	$V_{CC} = 2.5V$, $V_{NC_{-}} = 0V$, $I_{COM_{-}} = 100mA$, between same NC_{-} and NO_{-} channel (Note 4)		0.005	0.05	Ω
On-Resistance Flatness	R_{FLAT}	$V_{CC} = 2.5V$, $I_{COM_{-}} = 100mA$, $V_{COM_{-}} = -5.5V$ to +5.5V (Notes 5,6)		0.001	0.01	Ω
NC_{-} or NO_{-} Off-Leakage Current	$I_{NC_{-}(OFF)}$, $I_{NO_{-}(OFF)}$	$V_{CC} = 2.5V$, switch open, $V_{NO_{-}}$ or $V_{NC_{-}} = -5.5$ or +5.5V $V_{COM_{-}} = +5.5V$, -5.5V, unconnected	-100		+100	nA
COM_{-} Off-Leakage Current	$I_{COM_{-}(OFF)}$	$V_{CC} = 0V$, $V_{COM_{-}} = -5.5V$, 0V, +5.5 $V_{NO_{-}}$ or $V_{NC_{-}} = -5.5V$, +5.5V, unconnected	-100		+100	nA

Electrical Characteristics (continued)

($V_{CC} = +1.6V$ to $+5.5V$, $T_A = -40^\circ C$ to $+85^\circ C$, unless otherwise noted. Typical values are at $V_{CC} = +2.5V$, $T_A = +25^\circ C$, unless otherwise noted.) (Note 2)

PARAMETER	SYMBOL	CONDITIONS	MIN	TYP	MAX	UNIT	
COM_ On Leakage-Current	I_{COM_ON}	$V_{CC} = 2.5V$, switch closed, $V_{COM_} = +5.5V, -5.5V$ $V_{NO_}$ or $V_{NC_} = +5.5V, -5.5V$, unconnected	-100		+100	nA	
DYNAMIC TIMING							
Turn-Off Time	t_{OFF}	V_{NO} or $V_{NC_} = 0V$, $R_L = 50\Omega$, Figure 1 (Note 6)		5	30	μs	
Break-Before-Make Time	t_{BBM}	$R_L = 50\Omega$. Time that both $NC_/NO_$ switches are open during transition, Figure 2 (Note 6)	$V_{CC} = 2.5V$	0	80	150	μs
			$V_{CC} = 1.8V$	0		250	
Turn-On Time	t_{ON}	V_{NO} or $V_{NC_} = 0V$, Figure 1 (Note 6)	$V_{CC} = 2.5V$		85	200	μs
			$V_{CC} = 1.8V$			250	
AUDIO PERFORMANCE							
Total Harmonic Distortion Plus Noise	THD+N	$f = 20Hz$ to $20kHz$, $V_{COM_} = 0.5VP-P$, $R_S = R_L = 50\Omega$; DC bias = $0V$		0.001		%	
Off-Isolation	V_{ISO}	$R_S = R_L = 50\Omega$; $V_{COM_} = 0.5VP-P$, $f = 100kHz$, $V_{CC} = 0V$, DC bias = $0.25V$, Figure 3		-60		dB	
Crosstalk	V_{CT}	$R_S = R_L = 50\Omega$; $V_{COM_} = 0.5VP-P$, $f = 100kHz$ (Note 7), Figure 3		-100		dB	
-3dB Bandwidth	BW	$R_S = R_L = 50\Omega$		110		MHz	
NC_ or NO_ Off-Capacitance	C_{NC_OFF} C_{NO_OFF}	$V_{NC_}/V_{NO_} = 0.5VP-P$, $f = 1MHz$		25		pF	
COM_ On-Capacitance	C_{COM_ON}	$V_{NC_}/V_{NO_} = 0.5VP-P$, $f = 1MHz$		50		pF	
DIGITAL I/O							
Input Logic High Voltage	V_{IH}		1.4			V	
Input Logic Low Voltage	V_{IL}				0.325	V	
Input Leakage Current	I_{IN}	$V_{CB} = 0V$ or V_{CC}	-1		+1	μA	
THERMAL PROTECTION							
Thermal Shutdown				+150		$^\circ C$	
Thermal Shutdown Hysteresis				25		$^\circ C$	

Electrical Characteristics (continued)

($V_{CC} = +1.6V$ to $+5.5V$, $T_A = -40^\circ C$ to $+85^\circ C$, unless otherwise noted. Typical values are at $V_{CC} = +2.5V$, $T_A = +25^\circ C$, unless otherwise noted.) (Note 2)

PARAMETER	SYMBOL	CONDITIONS	MIN	TYP	MAX	UNIT
ESD PROTECTION						
COM_		Human Body Model		±15		kV
		IEC 61000-4-2 Air-Gap		±10		
		IEC 61000-4-2 Contact Discharge		±8		
NC_, NO_		Human Body Model		±15		kV
All Other Pins		Human Body Model		±2		kV

Note 2: All specifications are 100% production tested at $T_A = +25^\circ C$, unless otherwise noted. Specifications over $T_A = -40^\circ C$ to $+85^\circ C$ are guaranteed by design.

Note 3: The same limits apply for $V_{COM_} = -5.5V$ to $+5.5V$ and are guaranteed by design.

Note 4: $\Delta R_{ON} = |R_{ON(CH1)} - R_{ON(CH2)}|$.

Note 5: Flatness is defined as the difference between the maximum and minimum value of on-resistance, as measured over specified analog signal ranges.

Note 6: Guaranteed by design; not production tested.

Note 7: Between two switches.

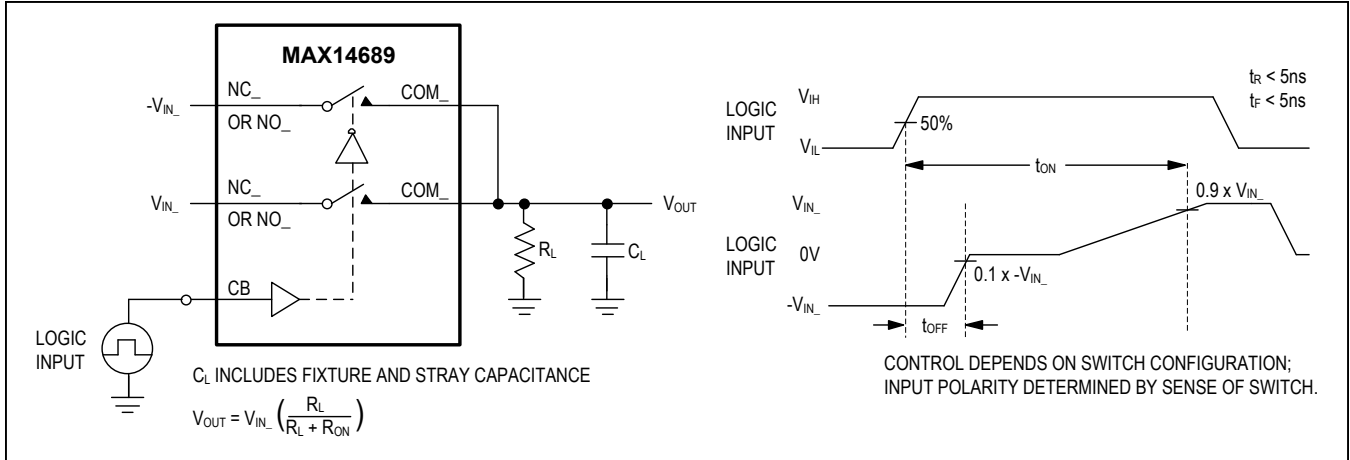


Figure 1. Switching Time

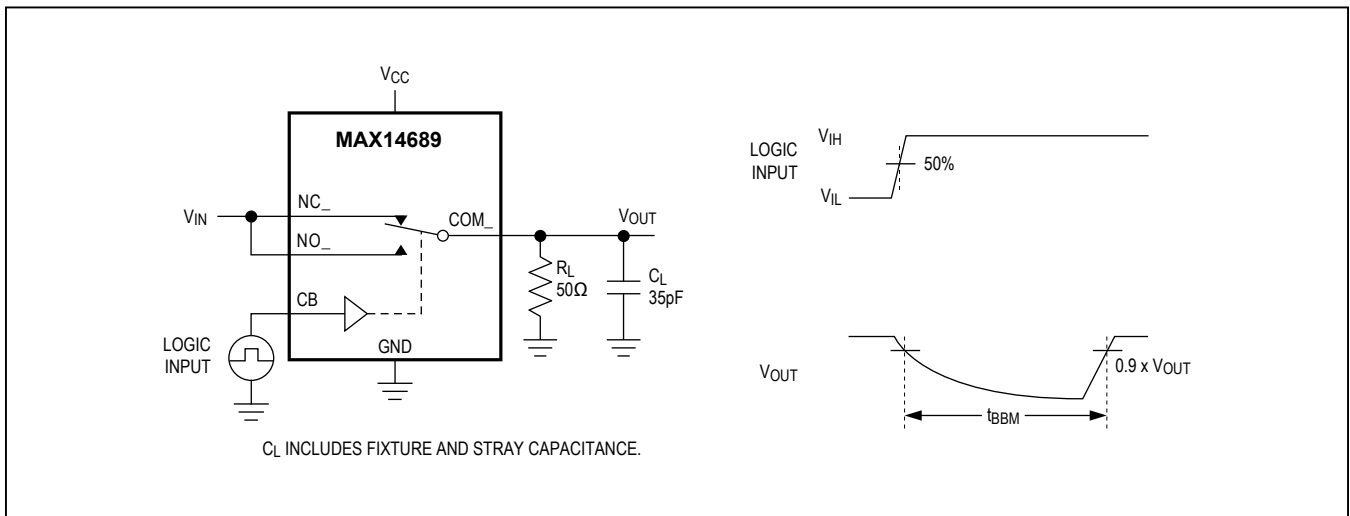


Figure 2. Break-Before-Make Interval

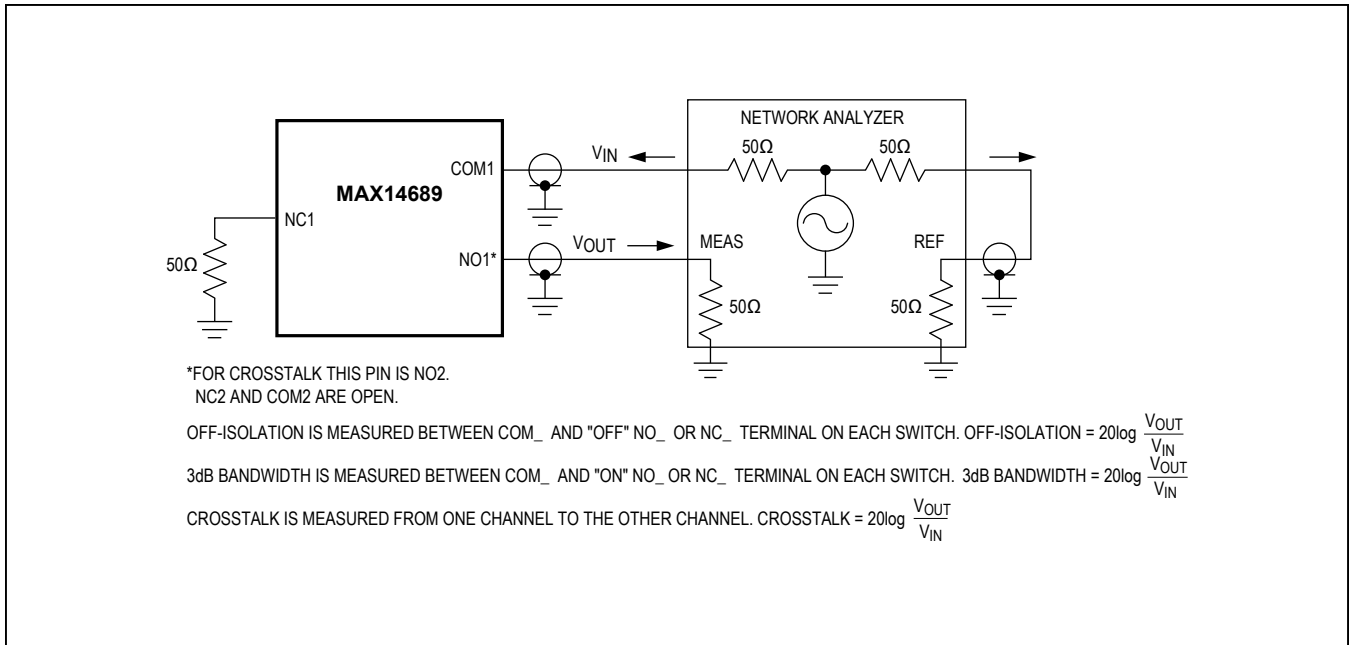
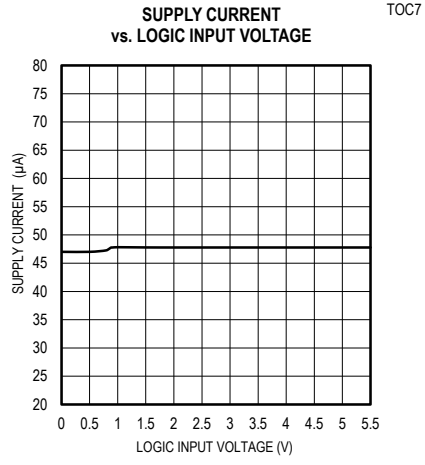
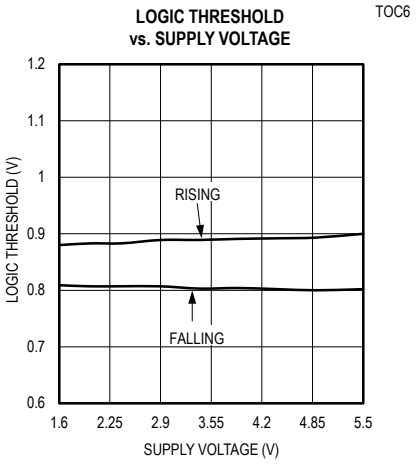
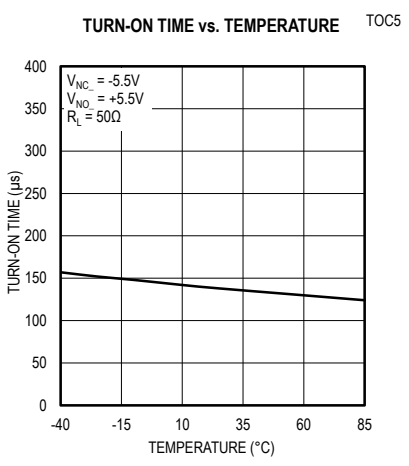
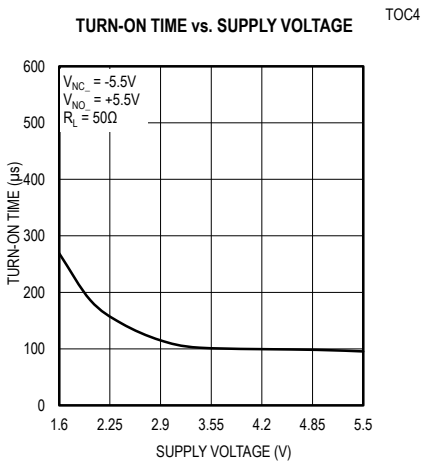
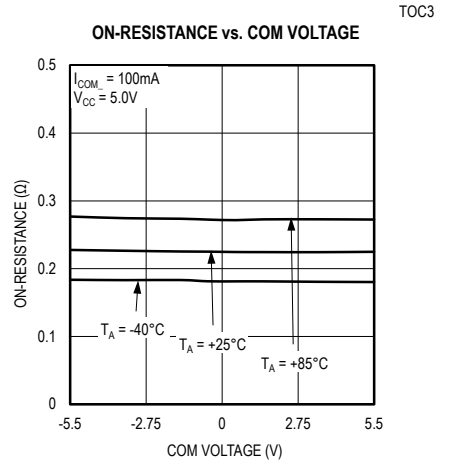
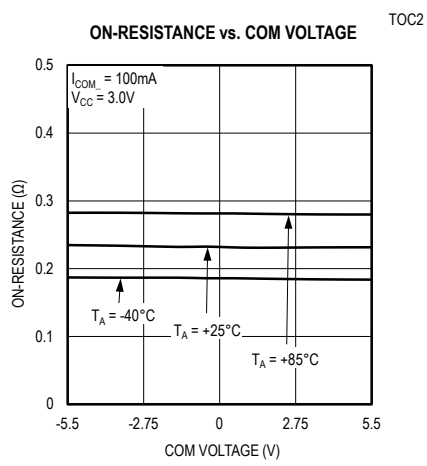
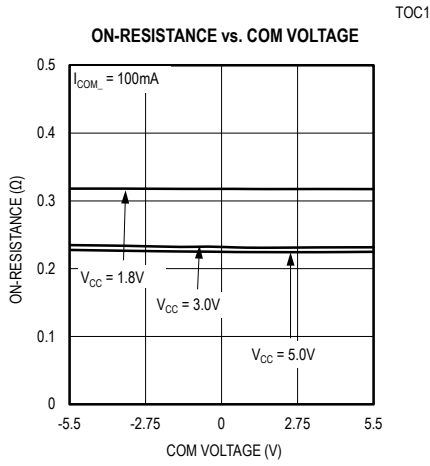


Figure 3. 3dB Bandwidth, Off-Isolation, and Crosstalk

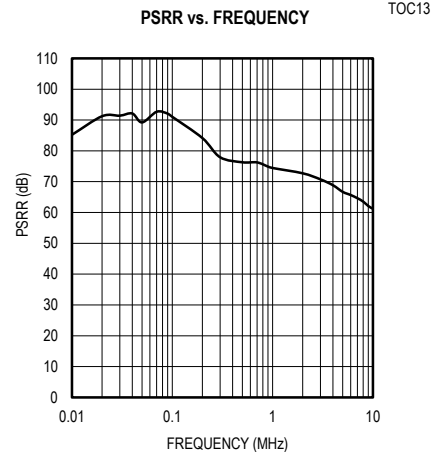
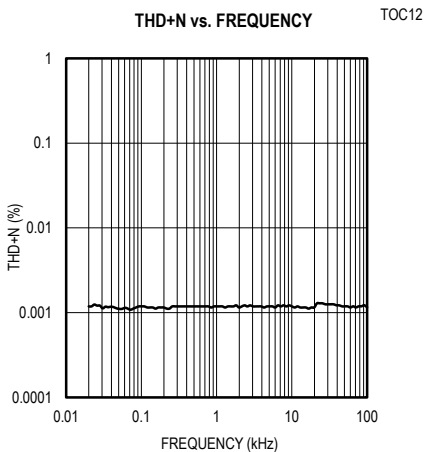
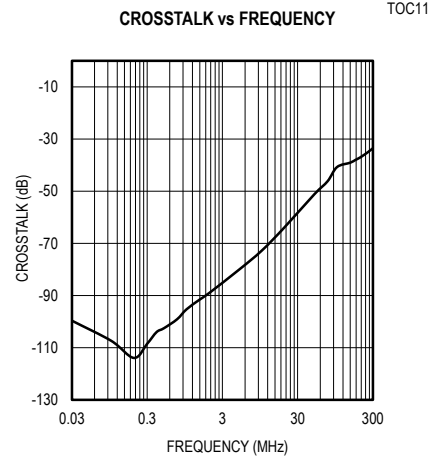
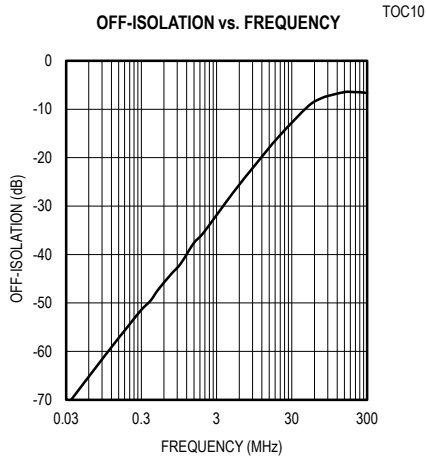
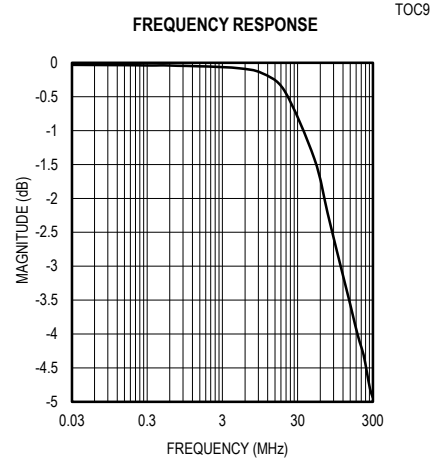
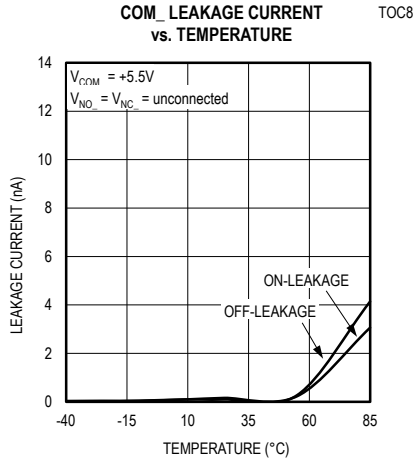
Typical Operating Characteristics

($V_{CC} = 2.5V$, $T_A = +25^\circ C$, unless otherwise noted.)

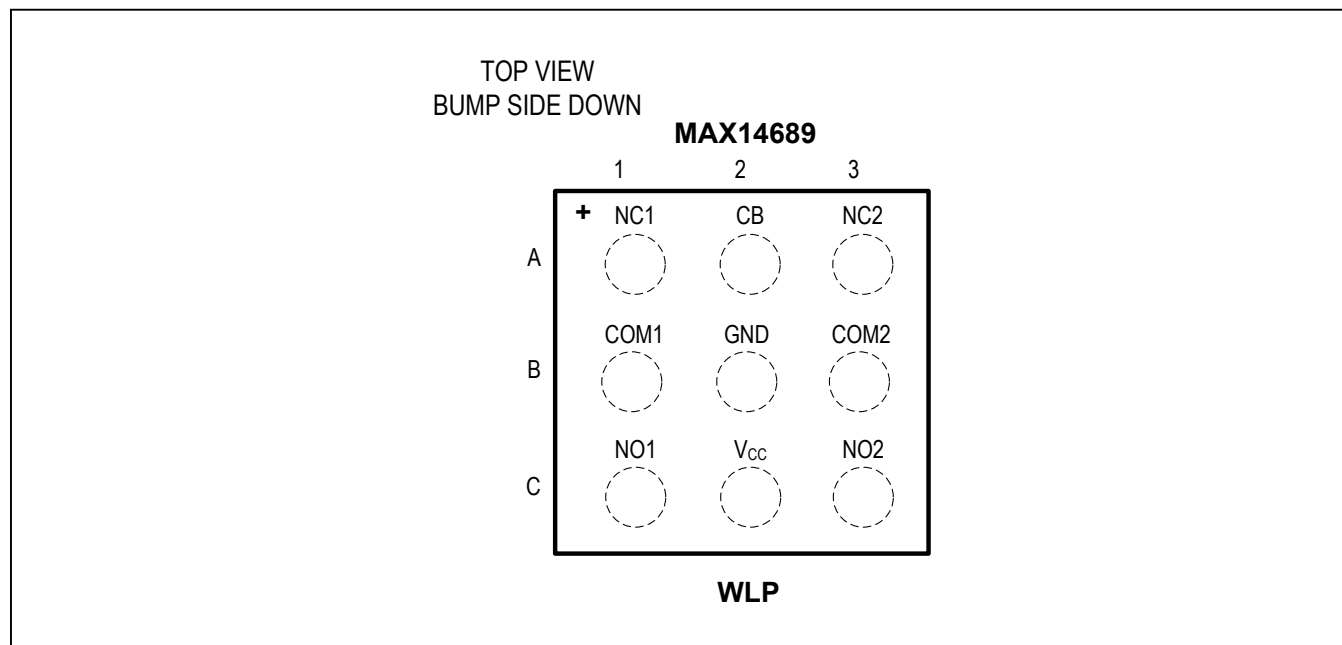


Typical Operating Characteristics (continued)

($V_{CC} = 2.5V$, $T_A = +25^\circ C$, unless otherwise noted.)



Pin Configuration



Pin Description

PIN	NAME	FUNCTION
A1	NC1	Normally Closed Terminal for Switch 1
A2	CB	Digital Control Input. Drive CB low to connect COM_ to NC_. Drive CB high to connect COM_ to NO_.
A3	NC2	Normally Closed Terminal for Switch 2
B1	COM1	Common Terminal for Switch 1
B2	GND	Ground
B3	COM2	Common Terminal for Switch 2
C1	NO1	Normally Open Terminal for Switch 1
C2	V _{CC}	Supply Voltage Input. Bypass V _{CC} to GND with a 0.1μF capacitor as close to the device as possible.
C3	NO2	Normally Open Terminal for Switch 2

Detailed Description

The MAX14689 is an ultra-small, low on-resistance, high ESD-protected DPDT switch that operates from a +1.6V to +5.5V supply, and is designed to pass analog signals such as AC-biased or DC-biased audio and video signals. These switches feature the low on-resistance (R_{ON}) necessary for high-performance switching applications. The Beyond-the-Rails signal capability of the MAX14689 allows signals below ground and above V_{CC} to pass without distortion.

Analog Signal Levels

The MAX14689 is bidirectional, allowing NO_* , NC_* , and COM_* to be configured as either inputs or outputs. The topology of the switches allows the signal to drop below ground without the need of an external negative voltage supply. Note: The devices can also withstand analog signal levels of -5.5V to +5.5V when the device is not powered.

Digital Control Input

The MAX14689 provides a single-bit control logic input, CB. CB controls the switch position, as shown in the *Typical Application Circuit/Functional Diagram*.

Applications Information

Extended ESD Protection

ESD-protection structures are incorporated on all pins to protect against electrostatic discharges up to $\pm 2kV$ (HBM) encountered during handling and assembly. $COM1$ and $COM2$ are further protected against ESD up to $\pm 15kV$ (HBM), $\pm 10kV$ (Air-Gap Discharge), and $\pm 8kV$ (Contact Discharge) without damage. NO_* and NC_* are protected against ESD up to $\pm 15kV$ (HBM) without damage. The ESD structures withstand high ESD both in normal operation and when the device is powered down. After an ESD event, the devices continue to function without latchup.

ESD Test Conditions

ESD performance depends on a variety of conditions. Contact Maxim for a reliability report that documents test methodology and test results.

Human Body Model

[Figure 4](#) shows the Human Body Model. [Figure 5](#) shows the current waveform it generates when discharged into a low impedance. This model consists of a 100pF capacitor charged to the ESD voltage of interest that is then discharged into the device through a 1.5k Ω resistor.

IEC 61000-4-2

The IEC 61000-4-2 standard covers ESD testing and performance of finished equipment. It does not specifically refer to integrated circuits. The major difference between tests done using the HBM and IEC 61000-4-2 is higher peak current in IEC 61000-4-2, because series resistance is lower in the IEC 61000-4-2 model. Hence, the ESD withstand voltage measured to IEC 61000-4-2 is generally lower than that measured using the HBM. [Figure 6](#) shows the IEC 61000-4-2 model and [Figure 7](#) shows the current waveform for the $\pm 8kV$, IEC 61000-4-2, Level 4, ESD Contact-Discharge Method.

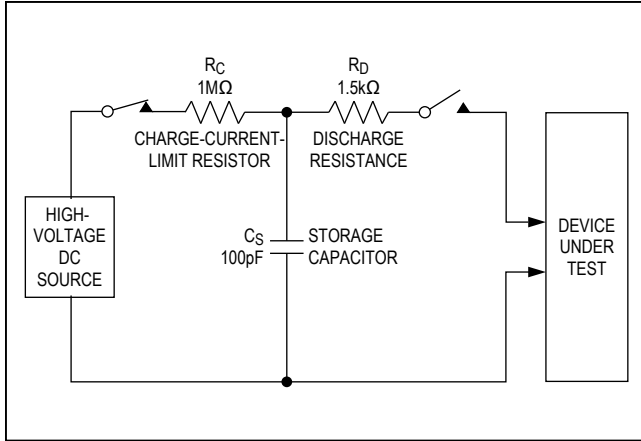


Figure 4. Human Body ESD Test Model

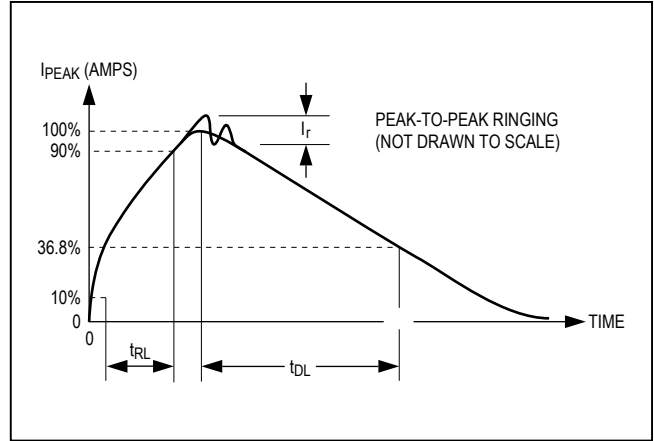


Figure 5. Human Body Current Waveform

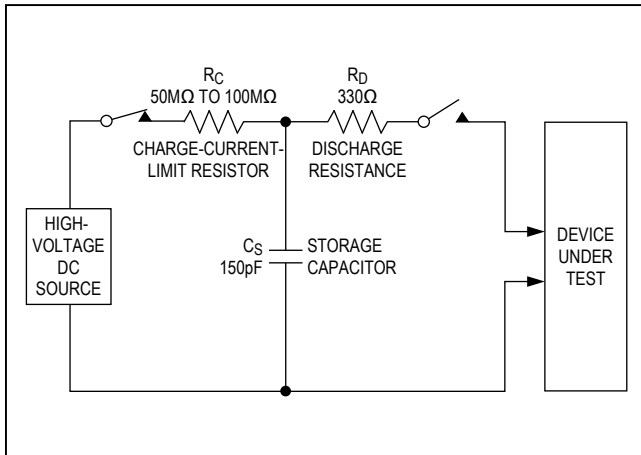


Figure 6. IEC 61000-4-2 ESD Test Model

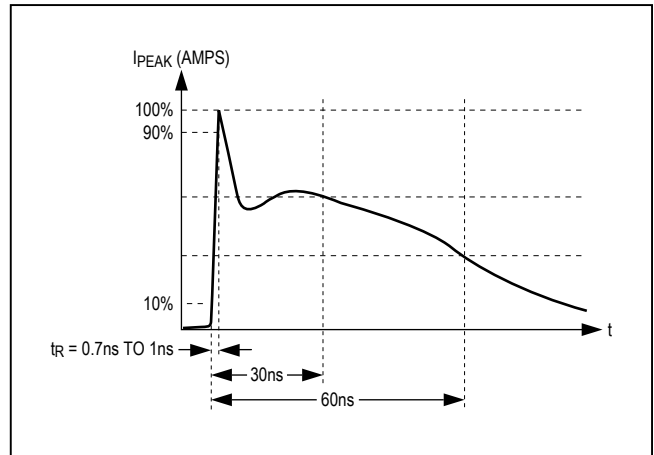


Figure 7. IEC 61000-4-2 ESD Generator Current Waveform

Ordering Information

PART	PIN-PACKAGE	TOP MARK
MAX14689EWL+T	9 WLP	AKL

+Denotes lead(Pb)-free/RoHS-compliant package.

T = Tape and reel.

Chip Information

PROCESS: BiCMOS

Package Information

For the latest package outline information and land patterns (footprints), go to www.maximintegrated.com/packages. Note that a "+", "#", or "-" in the package code indicates RoHS status only. Package drawings may show a different suffix character, but the drawing pertains to the package regardless of RoHS status.

PACKAGE TYPE	PACKAGE CODE	OUTLINE NO.	LAND PATTERN NO.
9 WLP	W91J1+1	21-0459	Refer to Application Note 1891

Revision History

REVISION NUMBER	REVISION DATE	DESCRIPTION	PAGES CHANGED
0	9/13	Initial release	—
1	1/14	Added MAX14689EWL+ to <i>Ordering Information</i>	11
2	12/14	Corrected package code	11

For pricing, delivery, and ordering information, please contact Maxim Direct at 1-888-629-4642, or visit Maxim Integrated's website at www.maximintegrated.com.

Maxim Integrated cannot assume responsibility for use of any circuitry other than circuitry entirely embodied in a Maxim Integrated product. No circuit patent licenses are implied. Maxim Integrated reserves the right to change the circuitry and specifications without notice at any time. The parametric values (min and max limits) shown in the Electrical Characteristics table are guaranteed. Other parametric values quoted in this data sheet are provided for guidance.

Компания «Океан Электроники» предлагает заключение долгосрочных отношений при поставках импортных электронных компонентов на взаимовыгодных условиях!

Наши преимущества:

- Поставка оригинальных импортных электронных компонентов напрямую с производств Америки, Европы и Азии, а так же с крупнейших складов мира;
- Широкая линейка поставок активных и пассивных импортных электронных компонентов (более 30 млн. наименований);
- Поставка сложных, дефицитных, либо снятых с производства позиций;
- Оперативные сроки поставки под заказ (от 5 рабочих дней);
- Экспресс доставка в любую точку России;
- Помощь Конструкторского Отдела и консультации квалифицированных инженеров;
- Техническая поддержка проекта, помощь в подборе аналогов, поставка прототипов;
- Поставка электронных компонентов под контролем ВП;
- Система менеджмента качества сертифицирована по Международному стандарту ISO 9001;
- При необходимости вся продукция военного и аэрокосмического назначения проходит испытания и сертификацию в лаборатории (по согласованию с заказчиком);
- Поставка специализированных компонентов военного и аэрокосмического уровня качества (Xilinx, Altera, Analog Devices, Intersil, Interpoint, Microsemi, Actel, Aeroflex, Peregrine, VPT, Syfer, Eurofarad, Texas Instruments, MS Kennedy, Miteq, Cobham, E2V, MA-COM, Hittite, Mini-Circuits, General Dynamics и др.);

Компания «Океан Электроники» является официальным дистрибьютором и эксклюзивным представителем в России одного из крупнейших производителей разъемов военного и аэрокосмического назначения «JONHON», а так же официальным дистрибьютором и эксклюзивным представителем в России производителя высокотехнологичных и надежных решений для передачи СВЧ сигналов «FORSTAR».



JONHON

«JONHON» (основан в 1970 г.)

Разъемы специального, военного и аэрокосмического назначения:

(Применяются в военной, авиационной, аэрокосмической, морской, железнодорожной, горно- и нефтедобывающей отраслях промышленности)

«FORSTAR» (основан в 1998 г.)

ВЧ соединители, коаксиальные кабели,
кабельные сборки и микроволновые компоненты:

(Применяются в телекоммуникациях гражданского и специального назначения, в средствах связи, РЛС, а так же военной, авиационной и аэрокосмической отраслях промышленности).



Телефон: 8 (812) 309-75-97 (многоканальный)

Факс: 8 (812) 320-03-32

Электронная почта: ocean@oceanchips.ru

Web: <http://oceanchips.ru/>

Адрес: 198099, г. Санкт-Петербург, ул. Калинина, д. 2, корп. 4, лит. А