

ADM691A/ADM693A/ADM800L/M

FEATURES

- Low Power Consumption:
- Precision Voltage Monitor
- ±2% Tolerance on ADM800L/M
- Reset Time Delay—200 ms, or Adjustable
- 1 μA Standby Current
- Automatic Battery Backup Power Switching
- Fast Onboard Gating of Chip Enable Signals
- Also Available in TSSOP Package (ADM691A)

APPLICATIONS

- Microprocessor Systems
- Computers
- Controllers
- Intelligent Instruments
- Automotive Systems
- Critical μP Power Monitoring

GENERAL DESCRIPTION

The ADM691A/ADM693A/ADM800L/ADM800M family of supervisory circuits offers complete single chip solutions for power supply monitoring and battery control functions in microprocessor systems. These functions include μP reset, backup-battery switchover, watchdog timer, CMOS RAM write protection, and power-failure warning. The family of products provides an upgrade for the MAX691A/93A/800M family of products.

All parts are available in 16-pin DIP and SO packages. The ADM691A is also available in a space-saving TSSOP package. The following functionality is provided:

1. Power-on reset output during power-up, power-down and brownout conditions. The circuitry remains operational with V_{CC} as low as 1 V.
2. Battery backup switching for CMOS RAM, CMOS microprocessor or other low power logic.
3. A reset pulse if the optional watchdog timer has not been toggled within a specified time.
4. A 1.25 V threshold detector for power fail warning, low battery detection, or to monitor a power supply other than +5 V.

FUNCTIONAL BLOCK DIAGRAM

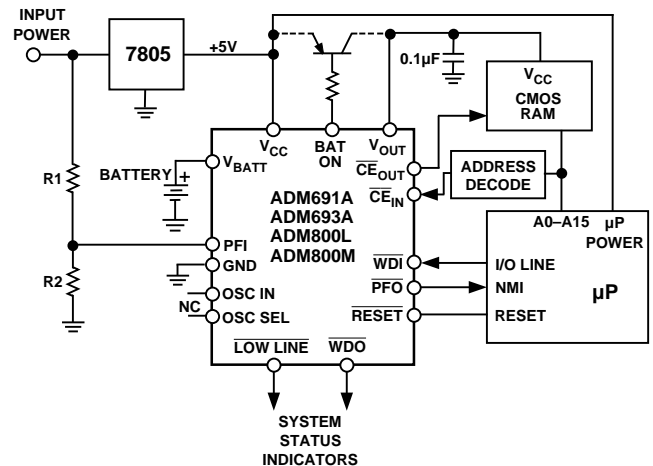


Figure 1. Typical Application

REV. 0

Information furnished by Analog Devices is believed to be accurate and reliable. However, no responsibility is assumed by Analog Devices for its use, nor for any infringements of patents or other rights of third parties which may result from its use. No license is granted by implication or otherwise under any patent or patent rights of Analog Devices.

ADM691A/ADM693A/ADM800L/M—SPECIFICATIONS

($V_{CC} = 4.75\text{ V to }5.5\text{ V}$ (ADM691A, ADM800L) $4.5\text{ V to }5.5\text{ V}$ (ADM693A, ADM800M) $V_{BATT} = +2.8\text{ V}$, $T_A = T_{MIN}$ to T_{MAX} unless otherwise noted)

| Parameter | Min | Typ | Max | Unit | Test Conditions/Comments |
|--------------------------------------------------------|------------------------------------------------------------|-----------------------------------|----------------|----------------------------------|---------------------------------------------------------------------------------------------------------------------------------------------------------------------|
| BATTERY BACKUP SWITCHING | | | | | |
| V_{CC} , V_{BATT} Operating Voltage Range | 0 | | 5.5 | V | |
| V_{OUT} Output Voltage | $V_{CC} - 0.05$ $V_{CC} - 0.3$ | $V_{CC} - 0.02$ $V_{CC} - 0.2$ | | V V | $I_{OUT} = 25\text{ mA}$ $I_{OUT} = 250\text{ mA}$ |
| V_{CC} to V_{OUT} Output Resistance | | 0.8 | 1.2 | Ω | $V_{CC} = 4.5\text{ V}$ |
| V_{OUT} in Battery Backup Mode | $V_{BATT} - 0.3$ $V_{BATT} - 0.25$ $V_{BATT} - 0.15$ | | | V V V | $V_{BATT} = 4.5\text{ V}$, $I_{OUT} = 20\text{ mA}$ $V_{BATT} = 2.8\text{ V}$, $I_{OUT} = 10\text{ mA}$ $V_{BATT} = 2.0\text{ V}$, $I_{OUT} = 5\text{ mA}$ |
| V_{BATT} to V_{OUT} Output Resistance | | | 12 20 25 | Ω Ω Ω | $V_{BATT} = 4.5\text{ V}$ $V_{BATT} = 2.8\text{ V}$ $V_{BATT} = 2.0\text{ V}$ |
| Supply Current (Excludes I_{OUT}) | | 70 | 100 | μA | $V_{CC} > (V_{BATT} - 1\text{ V})$ |
| Supply Current in B. Backup (Excludes I_{OUT}) | | 0.04 | 1 | μA | $V_{CC} < (V_{BATT} - 1.2\text{ V})$, $V_{BATT} = 2.8\text{ V}$ |
| Battery Standby Current (+ = Discharge, - = Charge) | -0.1 -1.0 | | +0.02 +0.02 | μA μA | $5.5\text{ V} > V_{CC} > V_{BATT} + 0.2\text{ V}$ $(V_{BATT} + 0.2\text{ V}) < V_{CC}$, $T_A = +25^\circ\text{C}$ $(V_{BATT} + 0.2\text{ V}) < V_{CC}$ |
| Battery Switchover Threshold | | $V_{BATT} + 0.03$ | | V | Power Up |
| $V_{CC} - V_{BATT}$ | | $V_{BATT} - 0.03$ | | V | Power Down |
| Battery Switchover Hysteresis | | 60 | | mV | |
| BATT ON Output Voltage Low | | 0.1 0.7 | 0.4 1.5 | V V | $I_{SINK} = 3.2\text{ mA}$ $I_{SINK} = 25\text{ mA}$ |
| BATT ON Output Short Circuit Current | | 60 | | mA | Sink Current |
| | 1 | 15 | 100 | μA | Source Current |
| RESET AND WATCHDOG TIMER | | | | | |
| Reset Voltage Threshold | | | | | |
| ADM691A, ADM800L | 4.5 | 4.65 | 4.75 | V | |
| ADM693A, ADM800M | 4.25 | 4.40 | 4.50 | V | |
| ADM800L, V_{CC} Falling | 4.55 | | 4.70 | V | $T_A = +25^\circ\text{C}$ |
| ADM800M, V_{CC} Falling | 4.3 | | 4.45 | V | $T_A = +25^\circ\text{C}$ |
| Reset Threshold Hysteresis | | 15 | | mV | |
| $\overline{V_{CC}}$ to RESET Delay | | 80 | | μs | Power Down |
| $\overline{LOW\ LINE}$ to RESET Delay | | 800 | | ns | |
| Reset Timeout Period Internal Oscillator | 140 | 200 | 280 | ms | Power Up |
| Reset Timeout Period External Clock | | 2048 | | Cycles | Power Up |
| Watchdog Timeout Period, Internal Oscillator | 1.0 70 | 1.6 100 | 2.25 140 | s ms | Long Period Short Period |
| Watchdog Timeout Period, External Clock | | 4096 1024 | | Cycles Cycles | Long Period Short Period |
| Minimum WDI Input Pulse Width | 100 | | | ns | $V_{IL} = 0.4$, $V_{IH} = 0.75 \times V_{CC}$ |
| RESET Output Voltage | | 0.004 0.1 | 0.3 0.4 | V V | $I_{SINK} = 50\text{ }\mu\text{A}$, $V_{CC} = 1\text{ V}$, $V_{BATT} = 0\text{ V}$ $I_{SINK} = 3.2\text{ mA}$, $V_{CC} = 4.25\text{ V}$ |
| RESET Output Short Circuit Current | | 7 | 20 | mA | $I_{SOURCE} = 1.6\text{ mA}$, $V_{CC} = 5\text{ V}$ |
| RESET Output Voltage Low | 0.1 | 0.4 | | V | $I_{SINK} = 3.2\text{ mA}$ |
| $\overline{LOW\ LINE}$ Output Voltage | | | 0.4 | V | $I_{SINK} = 3.2\text{ mA}$, $V_{CC} = 4.25\text{ V}$ |
| $\overline{LOW\ LINE}$ Short Circuit Source Current | 3.5 | | | V | $I_{SOURCE} = 1\text{ }\mu\text{A}$, $V_{CC} = 5\text{ V}$ |
| \overline{WDO} Output Voltage | 1 | 15 | 100 | μA | |
| \overline{WDO} Output Voltage | | | 0.4 | V | $I_{SINK} = 3.2\text{ mA}$, $V_{CC} = 4.25\text{ V}$ |
| WDO Short Circuit Source Current | | | | V | $I_{SOURCE} = 500\text{ }\mu\text{A}$, $V_{CC} = 5\text{ V}$ |
| WDI Input Threshold | | 3 | 10 | mA | |
| Logic Low | | | 0.8 | V | |
| Logic High | $0.75 \times V_{CC}$ | | | V | |
| WDI Input Current | -50 | -10 | 50 | μA μA | WDI = 0 V WDI = V_{OUT} |
| POWER FAIL DETECTOR | | | | | |
| PFI Input Threshold ADM69xA | 1.2 | 1.25 | 1.3 | V | $V_{CC} = 5\text{ V}$ |
| PFI Input Threshold ADM800L/M | 1.225 | 1.25 | 1.275 | V | $V_{CC} = 5\text{ V}$ |
| PFI Input Current | | ± 0.01 | ± 25 | nA | |
| PFO Output Voltage | | | 0.4 | V | $I_{SINK} = 3.2\text{ mA}$ $I_{SOURCE} = 1\text{ }\mu\text{A}$ |
| \overline{PFO} Short Circuit Source Current | 3.5 | | | V | |
| \overline{PFI} to \overline{PFO} Delay | 1 | 15 | 100 | μA | |
| | | 25 | | μs | $V_{IN} = -20\text{ mV}$ |
| | | 60 | | μs | $V_{IN} = 20\text{ mV}$ |

ADM691A/ADM693A/ADM800L/M

| Parameter | Min | Typ | Max | Units | Test Conditions/Comments |
|-----------------------------------------------------------------|-----------------|-----------------|------|-------|---------------------------------------------------------------------------------|
| CHIP ENABLE GATING | | | | | |
| \overline{CE}_{IN} Leakage Current | | ±0.005 | ±1 | μA | Disable Mode |
| \overline{CE}_{IN} to \overline{CE}_{OUT} Resistance | | 40 | 150 | Ω | Enable Mode |
| \overline{CE}_{IN} to \overline{CE}_{OUT} Propagation Delay | | 6 | 10 | ns | $R_{IN} = 50 \Omega$, $C_{LOAD} = 50 \text{ pF}$ |
| \overline{CE}_{OUT} Short-Circuit Current | 0.1 | 0.75 | 2.0 | mA | Disable Mode, $\overline{CE}_{OUT} = 0 \text{ V}$ |
| \overline{CE}_{OUT} Output Voltage | 3.5 | | | V | $V_{CC} = 5 \text{ V}$, $I_{OUT} = -100 \mu\text{A}$ |
| \overline{RESET} to \overline{CE}_{OUT} Propagation Delay | 2.7 | | | V | $V_{CC} = 0 \text{ V}$, $V_{BATT} = 2.8 \text{ V}$, $I_{OUT} = 1 \mu\text{A}$ |
| | | 12 | | μs | Power Down |
| OSCILLATOR | | | | | |
| OSC IN Input Current | | 0.1 | ±5 | μA | OSC SEL = 0 V |
| OSC In Input Pullup Current | | 10 | 100 | μA | OSC SEL = V_{OUT} or Floating |
| OSC SEL Input Pullup Current | | 10 | 100 | μA | OSC SEL = 0 V |
| OSC IN Frequency Range | | 500 | | kHz | OSC SEL = 0 V |
| OSC IN Threshold Voltage | $V_{OUT} - 0.4$ | $V_{OUT} - 0.6$ | | V | V_{IH} |
| | | 3.65 | 2.00 | V | V_{IL} |
| OSC IN Frequency with Ext Capacitor | | 100 | | kHz | OSC SEL = 0 V, $C_{OSC} = 47 \text{ pF}$ |

NOTES

¹Either V_{CC} or V_{BATT} can be 0 V if the other > +2.0 V.

Specifications subject to change without notice.

ABSOLUTE MAXIMUM RATINGS*

($T_A = 25^\circ\text{C}$ unless otherwise noted)

| | |
|---------------------------------------------|-------------------------------------|
| V_{CC} | -0.3 V to +6 V |
| V_{BATT} | -0.3 V to +6 V |
| All Other Inputs | -0.3 V to $V_{OUT} + 0.5 \text{ V}$ |
| Input Current | |
| V_{CC} (Peak) | 1000 mA |
| V_{CC} (Continuous) | 250 mA |
| V_{BATT} (Peak) | 250 mA |
| V_{BATT} (Continuous) | 25 mA |
| GND, BATT ON | 100 mA |
| Digital Output Current | 25 mA |
| Power Dissipation, N-16 DIP | 842 mW |
| $\theta_{\theta A}$ Thermal Impedance | 135°C/W |
| Power Dissipation, R-16 Narrow SOIC | 700 mW |
| θ_{JA} Thermal Impedance | 110°C/W |
| Power Dissipation, R-16 Wide SOIC | 762 mW |
| θ_{JA} Thermal Impedance | 110°C/W |
| Power Dissipation, RU-16 TSSOP | 500 mW |
| θ_{JA} Thermal Impedance | 158°C/W |
| Operating Temperature Range | |
| Industrial (A Version) | -40°C to +85°C |
| Lead Temperature (Soldering, 10 sec) | +300°C |
| Vapor Phase (60 sec) | 215°C |
| Infrared (15 sec) | +220°C |
| Storage Temperature Range | -65°C to +150°C |

*Stresses above those listed under “Absolute Maximum Ratings” may cause permanent damage to the device. This is a stress rating only and functional operation of the device at these or any other conditions above those listed in the operational sections of this specification is not implied. Exposure to absolute maximum ratings for extended periods of time may affect device reliability.

ORDERING GUIDE

| Model | Temperature Range | Package Option |
|------------|-------------------|----------------|
| ADM691AAN | -40°C to +85°C | N-16 |
| ADM691AARN | -40°C to +85°C | R-16N |
| ADM691AARW | -40°C to +85°C | R-16W |
| ADM691AARU | -40°C to +85°C | RU-16 |
| ADM693AAN | -40°C to +85°C | N-16 |
| ADM693AARN | -40°C to +85°C | R-16N |
| ADM693AARW | -40°C to +85°C | R-16W |
| ADM800LAN | -40°C to +85°C | N-16 |
| ADM800LARN | -40°C to +85°C | R-16N |
| ADM800LARW | -40°C to +85°C | R-16W |
| ADM800MAN | -40°C to +85°C | N-16 |
| ADM800MARN | -40°C to +85°C | R-16N |
| ADM800MARW | -40°C to +85°C | R-16W |

Table I. Product Selection Table

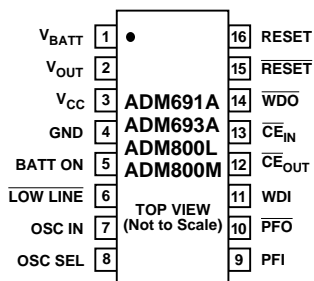
| Part No. | Power On Reset Time | Low V_{CC} Threshold | Watchdog Timeout | Battery Backup Switching | Base Drive Ext PNP | Chip Enable Signals |
|----------|---------------------|------------------------|---------------------|--------------------------|--------------------|---------------------|
| ADM691A | 200 ms or Adj. | 4.65 V ± 3% | 100 ms, 1.6 s, Adj. | Yes | Yes | Yes |
| ADM693A | 200 ms or Adj. | 4.4 V ± 3% | 100 ms, 1.6 s, Adj. | Yes | Yes | Yes |
| ADM800M | 200 ms or Adj. | 4.4 V ± 2% | 100 ms, 1.6 s, Adj. | Yes | Yes | Yes |
| ADM800L | 200 ms or Adj. | 4.65 V ± 2% | 100 ms, 1.6 s, Adj. | Yes | Yes | Yes |

ADM691A/ADM693A/ADM800L/M

PIN DESCRIPTIONS

| Pin | Mnemonic | Function |
|-----|-------------------|---------------------------------------------------------------------------------------------------------------------------------------------------------------------------------------------------------------------------------------------------------------------------------------------------------------------------------------------------------------------------------------------------------------------------------------------------------------------------------------------------------------------------------|
| 1 | V _{BATT} | Backup Battery Input. Connect to external battery or capacitor. Connect to ground if a backup battery is not used. |
| 2 | V _{OUT} | Output Voltage, V _{CC} or V _{BATT} is internally switched to V _{OUT} depending on which is at the highest potential. When V _{CC} is higher than V _{BATT} and is also higher than the reset threshold, V _{CC} is switched to V _{OUT} . When V _{CC} is lower than V _{BATT} and below the reset threshold, V _{BATT} is switched to V _{OUT} . Connect V _{OUT} to V _{CC} if a backup battery is not being used. |
| 3 | V _{CC} | Power Supply Input; +5 V. |
| 4 | GND | 0 V. Ground reference for all signals. |
| 5 | BATT ON | Logic Output. BATT ON goes high when V _{OUT} is internally switched to the V _{BATT} input. It goes low when V _{OUT} is internally switched to V _{CC} . The output may also be used to drive the base (via a resistor) of an external PNP transistor to increase the output current above the 250 mA rating of V _{OUT} . |
| 6 | LOW LINE | Logic Output. LOW LINE goes low when V _{CC} falls below the reset threshold. It returns high as soon as V _{CC} rises above the reset threshold. |
| 7 | OSC IN | Oscillator Logic Input. With OSC SEL high or floating, the internal oscillator is enabled and sets the reset delay and the watchdog timeout period. Connecting OSC IN low selects 100 ms while leaving it floating selects 1.6 sec. With OSC SEL low, OSC IN can be driven by an external clock signal or an external capacitor can be connected between OSC IN and GND. This sets both the reset active pulse timing and the watchdog timeout period. (See Table II and Figure 4.) |
| 8 | OSC SEL | Logic Oscillator Select Input. When OSC SEL is unconnected (floating) or driven high, the internal oscillator sets the reset active time and watchdog timeout period. When OSC SEL is low, the external oscillator input, OSC IN, is enabled. OSC SEL has a 10 μA internal pullup. |
| 9 | PFI | Power Fail Input. PFI is the noninverting input to the Power Fail Comparator. When PFI is less than 1.25 V, PFO goes low. Connect PFI to GND or V _{OUT} when not used. |
| 10 | PFO | Power Fail Output. PFO is the output of the Power Fail Comparator. It goes low when PFI is less than 1.25 V. |
| 11 | WDI | Watchdog Input. WDI is a three level input. If WDI remains either high or low for longer than the watchdog timeout period, RESET pulses low and WDO goes low. The timer resets with each transition on the WDI line. The Watchdog Timer may be disabled if WDI is left floating or is driven to midsupply. |
| 12 | CE _{OUT} | Output. CE _{OUT} goes low only when CE _{IN} is low and V _{CC} is above the reset threshold. If CE _{IN} is low when reset is asserted, CE _{OUT} will remain low for 15 μs or until CE _{IN} goes high, whichever occurs first. |
| 13 | CE _{IN} | Chip Enable Input. The input to the CE gating circuit. Connect to GND or V _{OUT} if not used. |
| 14 | WDO | Logic Output. The Watchdog Output, WDO, goes low if WDI remains either high or low for longer than the Watchdog timeout period. WDO is set high by the next transition at WDI. WDO remains high if WDI is unconnected. |
| 15 | RESET | Logic Output. RESET goes low if V _{CC} falls below the Reset Threshold. It remains low for 200 ms typ after V _{CC} goes above the reset threshold. |
| 16 | RESET | Logic Output. RESET is an open-drain output. It is the inverse of RESET. |

PIN CONFIGURATIONS



Typical Performance Curves—ADM691A/ADM693A/ADM800L/M

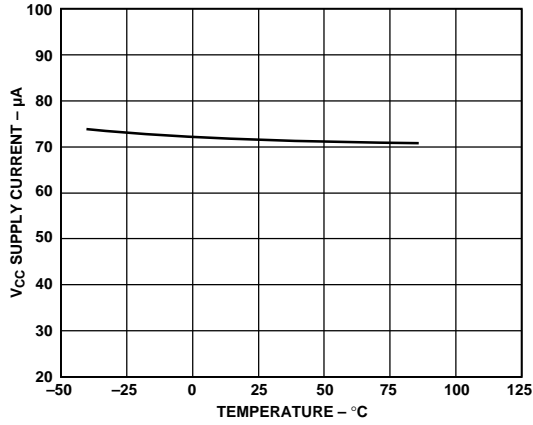


Figure 2. I_{CC} vs. Temperature: Normal Operation

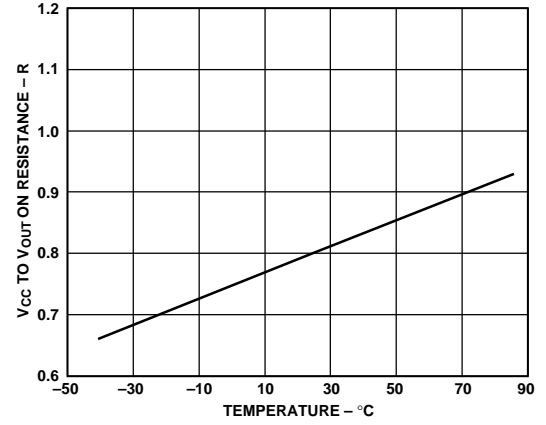


Figure 5. V_{CC} to V_{OUT} ON-Resistance vs. Temperature

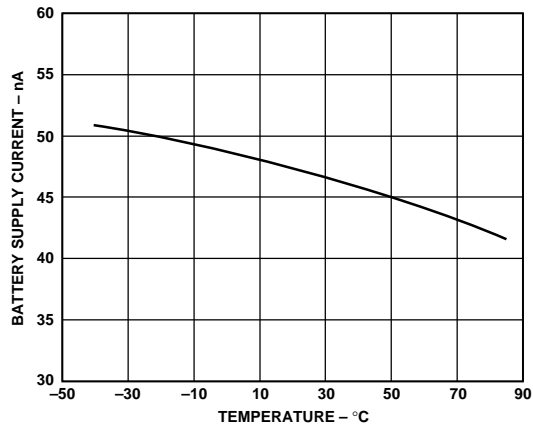


Figure 3. I_{BATT} vs. Temperature: Battery Backup Mode



Figure 6. V_{CC} to V_{OUT} Voltage Drop vs. Current

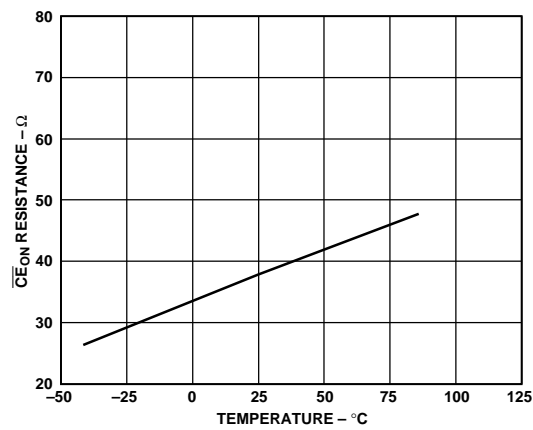


Figure 4. Chip Enable ON-Resistance vs. Temperature

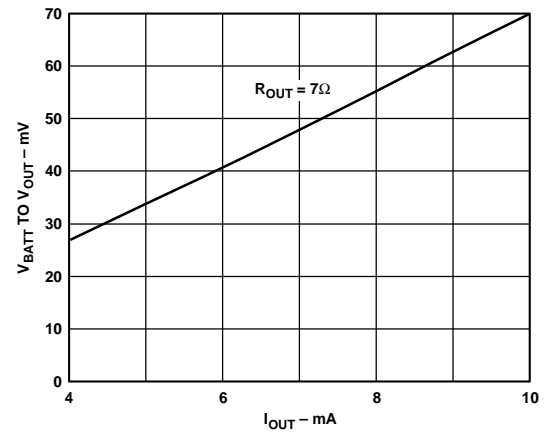


Figure 7. V_{BATT} to V_{OUT} Voltage Drop vs. Current

ADM691A/ADM693A/ADM800L/M



Figure 8. Battery Current vs. Input Supply Voltage

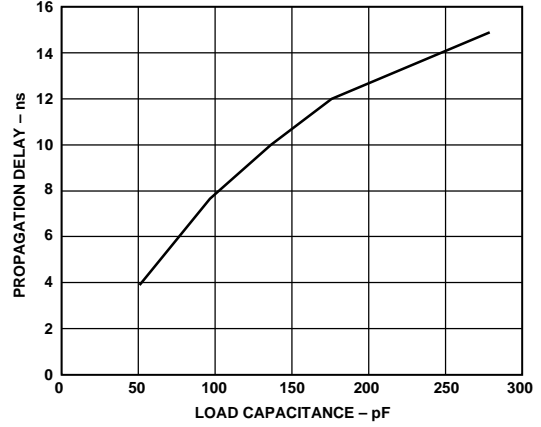


Figure 11. Chip Enable Propagation Delay vs. Load Capacitance



Figure 9. Watchdog and Reset Timeout Period vs. OSC IN Capacitor

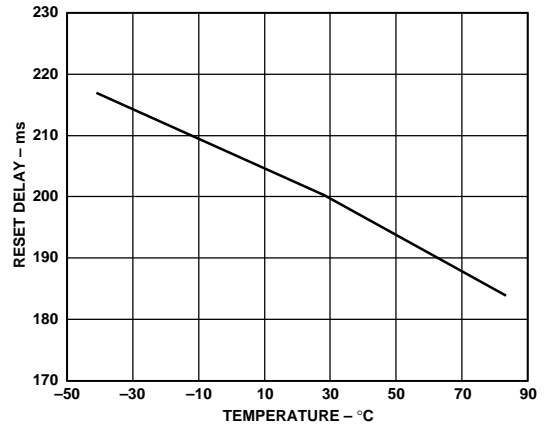


Figure 12. Reset Timeout Relay vs. Temperature



Figure 10. Chip Enable Propagation Delay vs. Temperature



Figure 13. $\overline{\text{RESET}}$ Output Resistance vs. Temperature



Figure 14. $\overline{\text{RESET}}$ Output Voltage vs. Supply



Figure 15. $\overline{\text{RESET}}$ Response Time

POWER FAIL $\overline{\text{RESET}}$ OUTPUT

$\overline{\text{RESET}}$ is an active low output that provides a reset signal to the Microprocessor whenever V_{CC} is at an invalid level. When V_{CC} falls below the reset threshold, the $\overline{\text{RESET}}$ output is forced low. The reset voltage threshold is 4.65 V (ADM691A/ADM800L) or 4.4 V (ADM693A/ADM800M).

On power-up $\overline{\text{RESET}}$ will remain low for 200 milliseconds after V_{CC} rises above the appropriate reset threshold. This allows time for the power supply and microprocessor to stabilize. On power-down, the $\overline{\text{RESET}}$ output remains low with V_{CC} as low as 1 V. This ensures that the microprocessor is held in a stable shut-down condition. If $\overline{\text{RESET}}$ is required to be low for voltages below 1 V, this may be achieved by connecting a pull-down resistor on the $\overline{\text{RESET}}$ line. The resistor will help maintain $\overline{\text{RESET}}$ low down to $V_{CC} = 0$ V. Note that this is only necessary if V_{BATT} is below 2 V. With battery voltages ≥ 2 V $\overline{\text{RESET}}$ will function correctly with V_{CC} from 0 V to +5.5 V.

This reset active time is adjustable by using an external oscillator or by connecting an external capacitor to the OSC IN pin. Refer to Table II.

The guaranteed minimum and maximum thresholds of the ADM691A/ADM800L are 4.5 V and 4.75 V, while the guaranteed thresholds of the ADM693A/ADM800M are 4.25 V and 4.5 V. The ADM691A/ADM800L is therefore compatible with 5 V supplies with a +10%, -5% tolerance while the ADM693A/ADM800M is compatible with $5 \text{ V} \pm 10\%$ supplies.

In addition to $\overline{\text{RESET}}$ an active high RESET output is provided. This is the complement of $\overline{\text{RESET}}$ and is useful for processors requiring an active high RESET signal.

Watchdog Timer Reset

The watchdog timer circuit monitors the activity of the microprocessor in order to check that it is not stalled in an indefinite loop. An output line on the processor is used to toggle the Watchdog Input (WDI) line. If this line is not toggled within the selected timeout period, a reset pulse is generated. The watchdog timeout period may be configured for either a fixed “short” 100 ms or a “long” 1.6 second timeout period or for an adjustable timeout period. Note that even if the short timeout period is selected, the first time out immediately following a reset is 1.6 sec. This is to allow additional time for the microprocessor to regain control following a reset.

The watchdog timer is restarted at the end of reset, whether the reset was caused by lack of activity on WDI or by V_{CC} falling below the reset threshold.

The normal (short) timeout period becomes effective following the first transition of WDI after reset has gone inactive. The watchdog timeout period restarts with each transition on the WDI pin. To ensure that the watchdog timer does not time out, either a high-to-low or low-to-high transition on the WDI pin must occur at or less than the minimum timeout period. If WDI remains permanently either high or low, reset pulses will be issued after each timeout period (1.6 seconds). The watchdog monitor can be deactivated by floating the Watchdog Input (WDI). If floating, an internal resistor network biases WDI to around 1.6 V.

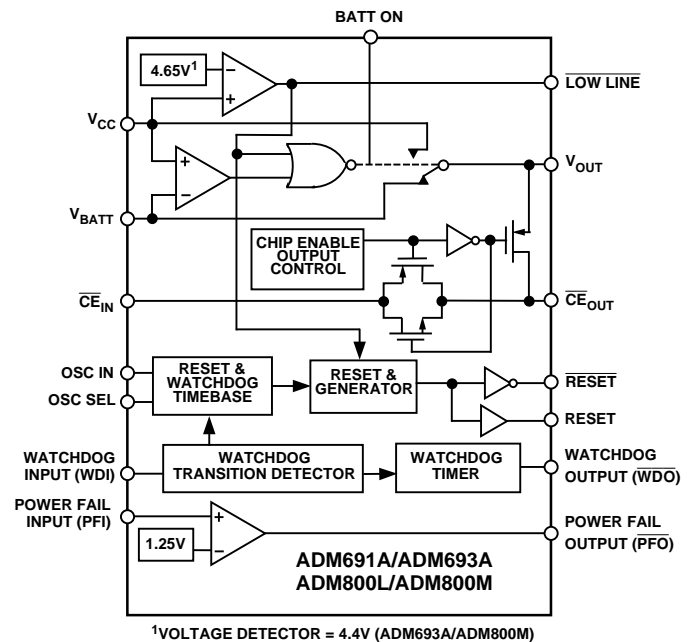


Figure 16. Functional Block Diagram

Watchdog Output ($\overline{\text{WDO}}$)

The Watchdog Output $\overline{\text{WDO}}$ provides a status output that goes low if the watchdog timer “times out” and remains low until set high by the next transition on the watchdog input. $\overline{\text{WDO}}$ is also set high when V_{CC} goes below the reset threshold. If WDI remains high or low indefinitely, $\overline{\text{RESET}}$ and RESET will generate 200 ms pulses every 1.6 sec.

ADM691A/ADM693A/ADM800L/M

Changing the Watchdog and Reset Timeout

The watchdog and reset timeout periods may be controlled using OSC SEL and OSC IN. Please refer to Table II. With both these inputs floating (or connected to V_{OUT}) as in Figure 16, the reset timeout is fixed at 200 ms and the watchdog timeout is fixed at 1.6 sec.. If OSC IN is connected to GND as in Figure 16, the reset timeout period remains at 200 ms but a short (100 ms) watchdog timeout period is selected (except immediately following a reset where it reverts to 1.6 sec). By connecting OSC SEL to GND it is possible to select alternative timeout periods by either connecting a capacitor from OSC IN to GND or by overdriving OSC IN with an external clock. With an external capacitor, the watchdog timeout period is

$$T_{wd} (ms) = 600 (C/47 \text{ pF})$$

and the reset active period is

$$T_{reset} (ms) = 1200 (C/47 \text{ pF})$$

With an external clock connected to OSC IN, the timeout periods become

$$T_{wd} = 1024 (1/f_{CLK})$$

$$T_{reset} = 2048 (1/f_{CLK})$$

Battery-Switchover Section

During normal operation with V_{CC} higher than the reset threshold and higher than V_{BATT} , V_{CC} is internally switched to V_{OUT} via an internal PMOS transistor switch. This switch has a typical on-resistance of 0.75Ω and can supply up to 250 mA at the V_{OUT} terminal. V_{OUT} is normally used to drive a RAM memory bank which may require instantaneous currents of greater than 250 mA. If this is the case then a bypass capacitor should be connected to V_{OUT} . The capacitor will provide the peak current transients to the RAM. A capacitance value of $0.1 \mu\text{F}$ or greater may be used.

If the continuous output current requirement at V_{OUT} exceeds 250 mA or if a lower $V_{CC}-V_{OUT}$ voltage differential is desired, an external PNP pass transistor may be connected in parallel with the internal transistor. The BATT ON output can drive the base of the external transistor.

If V_{CC} drops below V_{BATT} and below the reset threshold, battery backup is selected. A 7Ω MOSFET switch connects the V_{BATT} input to V_{OUT} . This MOSFET has very low input-to-output differential (dropout voltage) at the low current levels required for battery backup of CMOS RAM or other low power CMOS circuitry. The supply current in battery backup is typically $0.04 \mu\text{A}$.

High value capacitors, either standard electrolytic or the farad-size double layer capacitors, can also be used for short-term memory backup.

If the battery-switchover section is not used, V_{BATT} should be connected to GND and V_{OUT} should be connected to V_{CC} .

When V_{CC} is below the reset threshold, the watchdog function is disabled and WDI goes high impedance as it is disconnected from its internal resistor network.

The internal oscillator is enabled when OSC SEL is high or floating. In this mode, OSC IN selects between the 1.6 second and 100 ms watchdog timeout periods.



Figure 17. RESET and Chip Enable Timing



Figure 18a. External Clock Source



Figure 18b. Internal Oscillator (1.6 s Watchdog)



Figure 18c. External Capacitor

Table II. Reset Pulse Width and Watchdog Timeout Selections

| OSC SEL | OSC IN | Watchdog Timeout Period | | Reset Active Period |
|----------|-----------------------|-----------------------------------------|----------------------------------------|------------------------------------------|
| | | Normal | Immediately After Reset | |
| Low | External Clock Input | 1024 clks | 4096 clks | 2048 clks |
| Low | External Capacitor | $600 \text{ ms} \times C/47 \text{ pF}$ | $2.4 \text{ s} \times C/47 \text{ pF}$ | $1200 \text{ ms} \times C/47 \text{ pF}$ |
| Floating | Low | 100 ms | 1.6 s | 200 ms |
| Floating | Floating or V_{OUT} | 1.6 s | 1.6 s | 200 ms |



Figure 18d. Internal Oscillator (100 ms Watchdog)



Figure 19. Watchdog Timing

CE Gating and RAM Write Protection

All products include memory protection circuitry which ensures the integrity of data in memory by preventing write operations when V_{CC} is at an invalid level. There are two additional pins, \overline{CE}_{IN} and \overline{CE}_{OUT} , that control the Chip Enable or Write inputs of CMOS RAM. When V_{CC} is present, \overline{CE}_{OUT} is a buffered replica of \overline{CE}_{IN} , with a 5 ns propagation delay. When V_{CC} falls below the reset voltage threshold, an internal gate forces \overline{CE}_{OUT} high, independent of \overline{CE}_{IN} .

\overline{CE}_{OUT} typically drives the CE, CS, or Write input of battery backed up CMOS RAM. This ensures the integrity of the data in memory by preventing write operations when V_{CC} is at an invalid level. Similar protection of EEPROMs can be achieved by using the \overline{CE}_{OUT} to drive the Store or Write inputs of an EEPROM, EAROM, or NOVRAM.

Power Fail Warning Comparator

An additional comparator is provided for early warning of failure in the microprocessor's power supply. The Power Fail Input (PFI) is compared to an internal +1.25 V reference. The Power Fail Output (PFO) goes low when the voltage at PFI is less than 1.3 V. Typically PFI is driven by an external voltage divider that senses either the unregulated dc input to the system's 5 V regulator or the regulated 5 V output. The voltage divider ratio can be chosen such that the voltage at PFI falls below 1.25 V several milliseconds before the +5 V power supply falls below the reset threshold. PFO is normally used to interrupt the microprocessor so that data can be stored in RAM and the shut-down procedure executed before power is lost.



Figure 20. Power Fail Comparator

Table III. Input and Output Status in Battery Backup Mode

| Signal | Status |
|-----------------------|------------------------------------------------------------------------------------------------------------------------------------------------------------|
| V_{BATT} | Supply Current is $<1 \mu A$. |
| V_{OUT} | V_{OUT} is connected to V_{BATT} via an internal PMOS switch. |
| V_{CC} | Switchover comparator monitors V_{CC} for active switchover. |
| GND | 0 V. |
| BATT ON | Logic High. The open circuit voltage is equal to V_{OUT} . |
| $\overline{LOW LINE}$ | Logic Low. |
| OSC IN | OSC IN is ignored. |
| OSC SEL | OSC SEL is ignored. |
| PFI | The Power Fail Comparator remains active in the battery-backup mode for $V_{CC} \geq V_{BATT} - 1.2 V$. With V_{CC} lower than this, PFO is forced low. |
| PFO | The Power Fail Comparator remains active in the battery-backup mode for $V_{CC} \geq V_{BATT} - 1.2 V$. With V_{CC} lower than this, PFO is forced low. |
| WDI | WDI is ignored. |
| \overline{CE}_{OUT} | Logic High. The open circuit voltage is equal to V_{OUT} . |
| \overline{CE}_{IN} | High Impedance. |
| WDO | Logic High. The open circuit voltage is equal to V_{OUT} . |
| RESET | Logic Low. |
| RESET | High Impedance. |

ADM691A/ADM693A/ADM800L/M

APPLICATIONS INFORMATION INCREASING THE DRIVE CURRENT

If the continuous output current requirements at V_{OUT} exceeds 250 mA or if a lower $V_{CC}-V_{OUT}$ voltage differential is desired, an external PNP pass transistor may be connected in parallel with the internal transistor. The BATT ON output can drive the base of the external transistor via a current limiting resistor.



Figure 21. Increasing the Drive Current

Using a Rechargeable Battery for Backup

If a capacitor or a rechargeable battery is used for backup, then the charging resistor should be connected to V_{OUT} since this eliminates the discharge path that would exist during power down if the resistor were connected to V_{CC} .

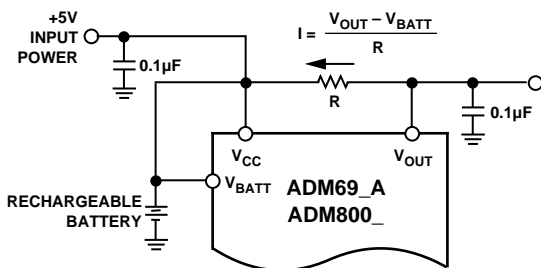


Figure 22. Rechargeable Battery

Adding Hysteresis to the Power Fail Comparator

For increased noise immunity, hysteresis may be added to the power fail comparator. Since the comparator circuit is noninverting, hysteresis can be added simply by connecting a resistor between the \overline{PFO} output and the PFI input as shown in Figure 23. When \overline{PFO} is low, resistor R_3 sinks current from the summing junction at the PFI pin. When \overline{PFO} is high, R_3 sources current into the PFI summing junction. This results in differing trip levels for the comparator. Resistors R_1 and R_2 therefore set the trip point while R_3 adds hysteresis. R_3 should be larger than 10 k Ω so that it does not cause excessive loading on the \overline{PFO} output. Additional noise rejection and filtering may be achieved by adding a capacitor from PFI to GND.



Figure 23. Adding Hysteresis to the Power Fail Comparator

Typical Operating Circuit

A typical operating circuit is shown in Figure 24. The circuit features power supply monitoring, battery backup switching and watchdog timing.

CMOS RAM is powered from V_{OUT} . When 5 V power is present, this is routed to V_{OUT} . If V_{CC} fails, then V_{BATT} is routed to V_{OUT} . V_{OUT} can supply up to 250 mA from V_{CC} , but if more current is required, an external PNP transistor can be added. When V_{CC} is higher than V_{BATT} and the reset threshold, BATT ON goes low, providing base drive for the external transistor. When V_{CC} is lower than V_{BATT} and the reset threshold, an internal 7 Ω MOSFET connects the backup battery to V_{OUT} .

Reset Output

The internal voltage detector monitors V_{CC} and generates a \overline{RESET} output to hold the microprocessor's \overline{RESET} line low when V_{CC} is below the reset threshold. An internal timer holds \overline{RESET} low for 200 ms after V_{CC} rises above the threshold. This prevents repeated toggling of \overline{RESET} even if the 5 V power drops out and recovers with each power line cycle.

Early Power Fail Detector

The input power line is monitored via a resistive potential divider connected to the Power Fail Input (PFI). When the voltage at PFI falls below 1.25 V, the Power Fail Output (\overline{PFO}) drives the processor's NMI input low. If a Power Fail threshold of 7 V is set with resistors R_1 and R_2 , the microprocessor will have the time when V_{CC} drops below 7 V to save data into RAM. Power supply capacitance will extend the time available. This will allow more time for microprocessor housekeeping tasks to be completed before power is lost.

RAM Write Protection

The \overline{CE}_{OUT} line drives the Chip Select inputs of the CMOS RAM. \overline{CE}_{OUT} follows \overline{CE}_{IN} as long as V_{CC} is above the reset threshold. If V_{CC} falls below the reset threshold, \overline{CE}_{OUT} goes high, independent of the logic level at \overline{CE}_{IN} . This prevents the microprocessor from writing erroneous data into RAM during power-up, power-down, brownouts and momentary power interruptions. The LOW LINE output goes low when V_{CC} falls below the reset threshold.

Watchdog Timer

The microprocessor drives the WATCHDOG INPUT (WDI) with an I/O line. When OSC IN and OSC SEL are unconnected, the microprocessor must toggle the WDI pin once every 1.6 seconds to verify proper software execution. If a hardware or software failure occurs such that WDI not toggled a 200 ms \overline{RESET} pulse will be generated after 1.6 seconds. This typically restarts the microprocessor's power-up routine. A new \overline{RESET} pulse is issued every 1.6 seconds until WDI is again strobed.

The WATCHDOG OUTPUT (\overline{WDO}) goes low if the watchdog timer is not serviced within its timeout period. Once \overline{WDO} goes low it remains low until a transition occurs at WDI. The watchdog timer feature can be disabled by leaving WDI unconnected. OSC IN and OSC SEL also allow other watchdog timing options.

\overline{RESET} also goes low if the Watchdog Timer is enabled and WDI remains either high or low for longer than the watchdog timeout period.

The \overline{RESET} output has an internal 1.6 mA pullup, and can either connect to an open collector \overline{RESET} bus or directly drive a CMOS gate without an external pullup resistor.



Figure 24. Typical Application Circuit

ADM691A/ADM693A/ADM800L/M

OUTLINE DIMENSIONS

Dimensions shown in inches and (mm).

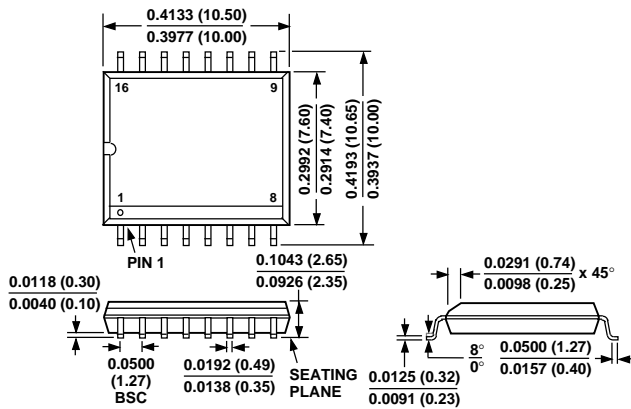
16-Lead Plastic DIP (N-16)



16-Lead TSSOP (RU-16)



16-Lead Wide SOIC (R-16W)



16-Lead Narrow SOIC (R-16N)



C2198-12-10/96

PRINTED IN U.S.A.

Компания «Океан Электроники» предлагает заключение долгосрочных отношений при поставках импортных электронных компонентов на взаимовыгодных условиях!

Наши преимущества:

- Поставка оригинальных импортных электронных компонентов напрямую с производств Америки, Европы и Азии, а так же с крупнейших складов мира;
- Широкая линейка поставок активных и пассивных импортных электронных компонентов (более 30 млн. наименований);
- Поставка сложных, дефицитных, либо снятых с производства позиций;
- Оперативные сроки поставки под заказ (от 5 рабочих дней);
- Экспресс доставка в любую точку России;
- Помощь Конструкторского Отдела и консультации квалифицированных инженеров;
- Техническая поддержка проекта, помощь в подборе аналогов, поставка прототипов;
- Поставка электронных компонентов под контролем ВП;
- Система менеджмента качества сертифицирована по Международному стандарту ISO 9001;
- При необходимости вся продукция военного и аэрокосмического назначения проходит испытания и сертификацию в лаборатории (по согласованию с заказчиком);
- Поставка специализированных компонентов военного и аэрокосмического уровня качества (Xilinx, Altera, Analog Devices, Intersil, Interpoint, Microsemi, Actel, Aeroflex, Peregrine, VPT, Syfer, Eurofarad, Texas Instruments, MS Kennedy, Miteq, Cobham, E2V, MA-COM, Hittite, Mini-Circuits, General Dynamics и др.);

Компания «Океан Электроники» является официальным дистрибьютором и эксклюзивным представителем в России одного из крупнейших производителей разъемов военного и аэрокосмического назначения «JONHON», а так же официальным дистрибьютором и эксклюзивным представителем в России производителя высокотехнологичных и надежных решений для передачи СВЧ сигналов «FORSTAR».



JONHON

«JONHON» (основан в 1970 г.)

Разъемы специального, военного и аэрокосмического назначения:

(Применяются в военной, авиационной, аэрокосмической, морской, железнодорожной, горно- и нефтедобывающей отраслях промышленности)

«FORSTAR» (основан в 1998 г.)

ВЧ соединители, коаксиальные кабели, кабельные сборки и микроволновые компоненты:

(Применяются в телекоммуникациях гражданского и специального назначения, в средствах связи, РЛС, а так же военной, авиационной и аэрокосмической отраслях промышленности).



Телефон: 8 (812) 309-75-97 (многоканальный)

Факс: 8 (812) 320-03-32

Электронная почта: ocean@oceanchips.ru

Web: <http://oceanchips.ru/>

Адрес: 198099, г. Санкт-Петербург, ул. Калинина, д. 2, корп. 4, лит. А