

# Type 381LX / 383LX 105 °C High Ripple, Snap-In Aluminum

High Ripple, Long Life, 2, 4 and 5 pin styles available



Adding longer-life and more ripple capability to the excellent value of Type 380L/LX capacitors, the 381L/LX readily handles tough switching power supply input and output circuits and motor-drive bus capacitor applications where the high surface area of multiple units in parallel equals the ripple capability of our Type 520C inverter-grade capacitor. Type 381LX delivers more capacitance per can size while Type 381L gives lower ESR for the same capacitance rating. Type 383L/LX has 4 or 5 leads for stable, reverse-proof mounting.

## Highlights

- Top performance in power supplies and motor drives
- 4 times the life of Type 380L/LX
- 2, 4 and 5 leads available
- Big selection of 42 case sizes

## Specifications

| Temperature Range               | -40 °C to + 105 °C ≤ 315 Vdc<br>-25 °C to + 105 °C ≥ 350 Vdc   |       |        |        |        |            |  |       |       |       |       |        |                            |      |      |      |      |      |                                |      |      |      |      |      |  |       |       |        |        |       |            |                   |      |      |      |      |      |      |                    |      |      |      |      |      |      |
|---------------------------------|--|-------|--------|--------|--------|------------|--|-------|-------|-------|-------|--------|----------------------------|------|------|------|------|------|--------------------------------|------|------|------|------|------|--|-------|-------|--------|--------|-------|------------|-------------------|------|------|------|------|------|------|--------------------|------|------|------|------|------|------|
| Rated Voltage Range             | 10 Vdc to 450 Vdc  |       |        |        |        |            |  |       |       |       |       |        |                            |      |      |      |      |      |                                |      |      |      |      |      |  |       |       |        |        |       |            |                   |      |      |      |      |      |      |                    |      |      |      |      |      |      |
| Capacitance Range               | 33 µF to 150,000 µF  |       |        |        |        |            |  |       |       |       |       |        |                            |      |      |      |      |      |                                |      |      |      |      |      |  |       |       |        |        |       |            |                   |      |      |      |      |      |      |                    |      |      |      |      |      |      |
| Capacitance Tolerance           | ± 20%  |       |        |        |        |            |  |       |       |       |       |        |                            |      |      |      |      |      |                                |      |      |      |      |      |  |       |       |        |        |       |            |                   |      |      |      |      |      |      |                    |      |      |      |      |      |      |
| Leakage Current                 | ≤ 3 $\sqrt{CV}$ µA, 4 mA max, 5 minutes  |       |        |        |        |            |  |       |       |       |       |        |                            |      |      |      |      |      |                                |      |      |      |      |      |  |       |       |        |        |       |            |                   |      |      |      |      |      |      |                    |      |      |      |      |      |      |
| Ripple Current Multipliers      | Ambient Temperature<br><table border="1"> <thead> <tr> <th></th> <th>45 °C</th> <th>60 °C</th> <th>70 °C</th> <th>85 °C</th> <th>105 °C</th> </tr> </thead> <tbody> <tr> <td><b>381L</b><br/><b>383L</b></td> <td>2.70</td> <td>2.60</td> <td>2.50</td> <td>2.10</td> <td>1.00</td> </tr> <tr> <td><b>381LX,</b><br/><b>383 LX</b></td> <td>2.35</td> <td>2.20</td> <td>2.00</td> <td>1.70</td> <td>1.00</td> </tr> </tbody> </table><br>Frequency<br><table border="1"> <thead> <tr> <th></th> <th>50 Hz</th> <th>60 Hz</th> <th>120 Hz</th> <th>500 Hz</th> <th>1 kHz</th> <th>5 kHz &amp; up</th> </tr> </thead> <tbody> <tr> <td><b>10-100 Vdc</b></td> <td>0.93</td> <td>0.95</td> <td>1.00</td> <td>1.05</td> <td>1.08</td> <td>1.15</td> </tr> <tr> <td><b>160-450 Vdc</b></td> <td>0.75</td> <td>0.80</td> <td>1.00</td> <td>1.20</td> <td>1.25</td> <td>1.40</td> </tr> </tbody> </table> |       |        |        |        |            |  | 45 °C | 60 °C | 70 °C | 85 °C | 105 °C | <b>381L</b><br><b>383L</b> | 2.70 | 2.60 | 2.50 | 2.10 | 1.00 | <b>381LX,</b><br><b>383 LX</b> | 2.35 | 2.20 | 2.00 | 1.70 | 1.00 |  | 50 Hz | 60 Hz | 120 Hz | 500 Hz | 1 kHz | 5 kHz & up | <b>10-100 Vdc</b> | 0.93 | 0.95 | 1.00 | 1.05 | 1.08 | 1.15 | <b>160-450 Vdc</b> | 0.75 | 0.80 | 1.00 | 1.20 | 1.25 | 1.40 |
|                                 | 45 °C  | 60 °C | 70 °C  | 85 °C  | 105 °C |            |  |       |       |       |       |        |                            |      |      |      |      |      |                                |      |      |      |      |      |  |       |       |        |        |       |            |                   |      |      |      |      |      |      |                    |      |      |      |      |      |      |
| <b>381L</b><br><b>383L</b>      | 2.70   | 2.60  | 2.50   | 2.10   | 1.00   |            |  |       |       |       |       |        |                            |      |      |      |      |      |                                |      |      |      |      |      |  |       |       |        |        |       |            |                   |      |      |      |      |      |      |                    |      |      |      |      |      |      |
| <b>381LX,</b><br><b>383 LX</b>  | 2.35   | 2.20  | 2.00   | 1.70   | 1.00   |            |  |       |       |       |       |        |                            |      |      |      |      |      |                                |      |      |      |      |      |  |       |       |        |        |       |            |                   |      |      |      |      |      |      |                    |      |      |      |      |      |      |
|                                 | 50 Hz  | 60 Hz | 120 Hz | 500 Hz | 1 kHz  | 5 kHz & up |  |       |       |       |       |        |                            |      |      |      |      |      |                                |      |      |      |      |      |  |       |       |        |        |       |            |                   |      |      |      |      |      |      |                    |      |      |      |      |      |      |
| <b>10-100 Vdc</b>               | 0.93   | 0.95  | 1.00   | 1.05   | 1.08   | 1.15       |  |       |       |       |       |        |                            |      |      |      |      |      |                                |      |      |      |      |      |  |       |       |        |        |       |            |                   |      |      |      |      |      |      |                    |      |      |      |      |      |      |
| <b>160-450 Vdc</b>              | 0.75   | 0.80  | 1.00   | 1.20   | 1.25   | 1.40       |  |       |       |       |       |        |                            |      |      |      |      |      |                                |      |      |      |      |      |  |       |       |        |        |       |            |                   |      |      |      |      |      |      |                    |      |      |      |      |      |      |
| Low Temperature Characteristics | Impedance ratio: $Z_{-20^{\circ}\text{C}}/Z_{+25^{\circ}\text{C}}$<br>≤ 10 (10 Vdc)<br>≤ 8 (16–50 Vdc)<br>≤ 4 (63–100 Vdc)<br>≤ 3 (150–450 Vdc)  |       |        |        |        |            |  |       |       |       |       |        |                            |      |      |      |      |      |                                |      |      |      |      |      |  |       |       |        |        |       |            |                   |      |      |      |      |      |      |                    |      |      |      |      |      |      |
| Endurance Life Test             | 3000 h at full load at 105 °C<br>Δ Capacitance ±20%<br>ESR 200% of limit<br>DCL 100% of limit  |       |        |        |        |            |  |       |       |       |       |        |                            |      |      |      |      |      |                                |      |      |      |      |      |  |       |       |        |        |       |            |                   |      |      |      |      |      |      |                    |      |      |      |      |      |      |
| Shelf Life Test                 | 1000 h at 105 °C<br>Δ Capacitance ±20%<br>ESR 200% of limit<br>DCL 100% of limit   |       |        |        |        |            |  |       |       |       |       |        |                            |      |      |      |      |      |                                |      |      |      |      |      |  |       |       |        |        |       |            |                   |      |      |      |      |      |      |                    |      |      |      |      |      |      |
| Vibration                       | 10 to 55 Hz, 0.06" and 10 g max, 2 h each plane  |       |        |        |        |            |  |       |       |       |       |        |                            |      |      |      |      |      |                                |      |      |      |      |      |  |       |       |        |        |       |            |                   |      |      |      |      |      |      |                    |      |      |      |      |      |      |
| RoHS Compliant                  |  |       |        |        |        |            |  |       |       |       |       |        |                            |      |      |      |      |      |                                |      |      |      |      |      |  |       |       |        |        |       |            |                   |      |      |      |      |      |      |                    |      |      |      |      |      |      |

# Type 381LX / 383LX 105 °C High Ripple, Snap-In Aluminum

High Ripple, Long Life, 2,4 and 5 pin styles available

|                         |               |           |               |            |            |   |                               |
|-------------------------|---------------|-----------|---------------|------------|------------|---|-------------------------------|
| <b>383LX</b>            | <b>272</b>    | <b>M</b>  | <b>200</b>    | <b>N08</b> | <b>2</b>   | <b>V</b>                                | <b>+D</b>                     |
| Type                    | Cap           | Tolerance | Voltage       | Case Code  | Insulation | # of pins                               |                               |
| 381L / LX (2 pins)      | 100 = 10 µF   | M = ±20%  | 200 = 200 Vdc |            | 2 = PVC    | Blank = 2 pins / 4 pins snap-in 6.3mm L | Blank = no end disk if <250 V |
| 383L / LX (4 or 5 pins) | 101 = 100 µF  |           |               |            |            | A = 2 pins / 4 pins snap-in 4.0mm L     | D = end disk, any voltage     |
|                         | 272 = 2700 µF |           |               |            |            | VS = 5 pins snap-in 6.3mm L             |                               |
|                         |               |           |               |            |            | V = 5 pins standoff                     |                               |

## Outline Drawings

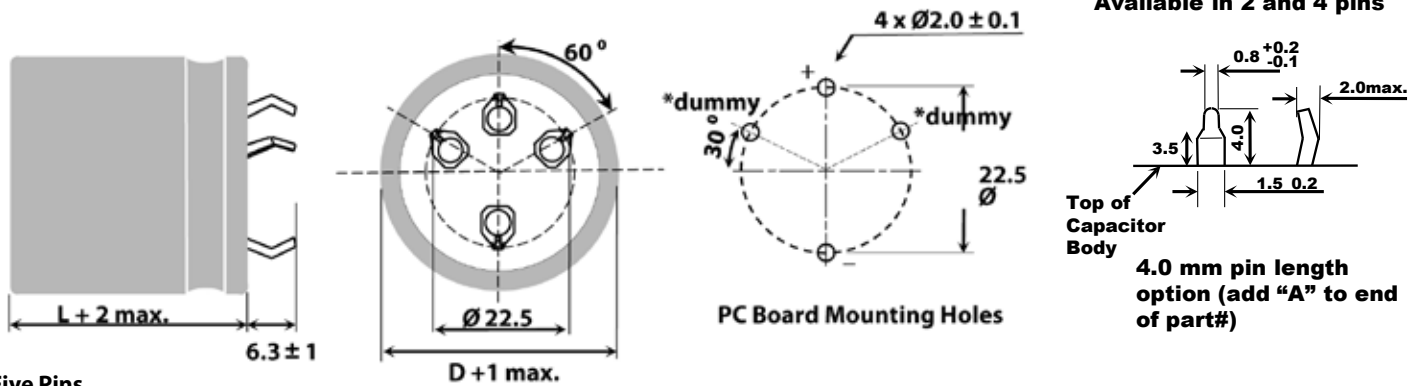
### Two Pins

381L/LX (22 through 40 mm diameter)



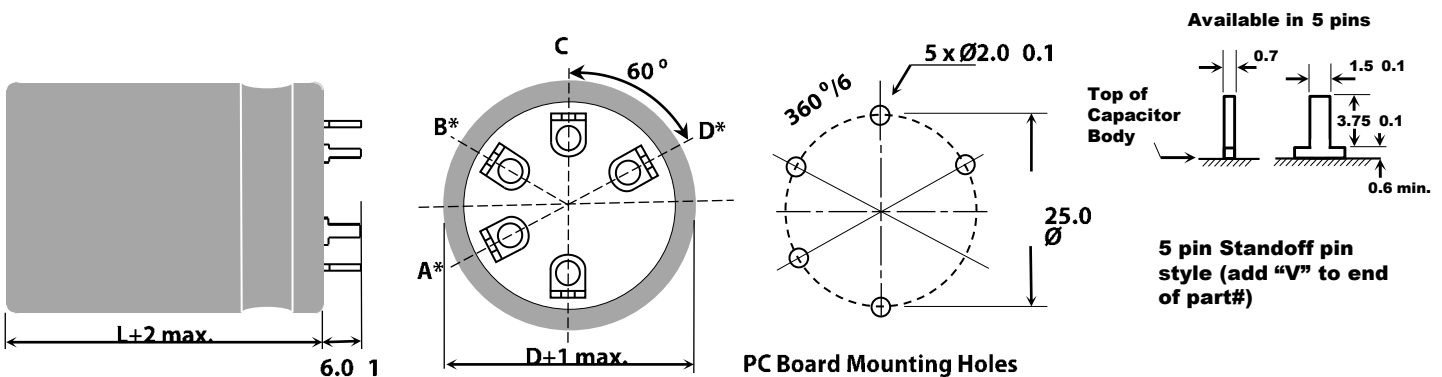
### Four Pins

383L/LX (35 and 40 mm diameter)



### Five Pins

383L/LX (40 and 50 mm diameter)



Note that for 200 volts and under the insulating end disc is optional - If one is needed add a (+D) to the end of the part numbering system.

| Terminal | Connection   |              |
|----------|--------------|--------------|
|          | 40 mm Dia.   | 50 mm Dia.   |
| A        | dummy        | negative (-) |
| B        | dummy        | dummy        |
| C        | positive (+) | positive (+) |
| D        | dummy        | positive (+) |
| -        | negative (-) | negative (-) |

#### Notes:

\* Use dummy terminals for mechanical support only. Make no electrical connection because they resistively connect through the electrolyte to the negative terminal.

\*\* Safety Vent may be on the bottom or on the side of the can.

# Type 381LX / 383LX 105 °C High Ripple, Snap-In Aluminum

High Ripple, Long Life, 2,4 and 5 pin styles available

| Case Code | DIAMETER "D" |        | LENGTH "L" |        | Typical Weight (grams) |
|-----------|--------------|--------|------------|--------|------------------------|
|           | mm           | inches | mm         | inches |                        |
| H20       | 22           | 0.87   | 20         | 0.79   | 14                     |
| H01       | 22           | 0.87   | 25         | 0.98   | 16                     |
| H02       | 22           | 0.87   | 30         | 1.18   | 19                     |
| H03       | 22           | 0.87   | 35         | 1.38   | 22                     |
| H04       | 22           | 0.87   | 40         | 1.57   | 24                     |
| H45       | 22           | 0.87   | 45         | 1.77   | 28                     |
| H05       | 22           | 0.87   | 50         | 1.97   | 31                     |
| J20       | 25           | 0.98   | 20         | 0.79   | 16                     |
| J01       | 25           | 0.98   | 25         | 0.98   | 20                     |
| J02       | 25           | 0.98   | 30         | 1.18   | 24                     |
| J03       | 25           | 0.98   | 35         | 1.38   | 27                     |
| J04       | 25           | 0.98   | 40         | 1.57   | 31                     |
| J045      | 25           | 0.98   | 45         | 1.77   | 35                     |
| J05       | 25           | 0.98   | 50         | 1.97   | 38                     |
| K20       | 30           | 1.18   | 20         | 0.79   | 25                     |
| K01       | 30           | 1.18   | 25         | 0.98   | 30                     |
| K02       | 30           | 1.18   | 30         | 1.18   | 35                     |
| K03       | 30           | 1.18   | 35         | 1.38   | 40                     |
| K04       | 30           | 1.18   | 40         | 1.57   | 44                     |
| K45       | 30           | 1.18   | 45         | 1.77   | 48                     |
| K05       | 30           | 1.18   | 50         | 1.97   | 53                     |

| Case Code | DIAMETER "D" |        | LENGTH "L" |        | Typical Weight (grams) |
|-----------|--------------|--------|------------|--------|------------------------|
|           | mm           | inches | mm         | inches |                        |
| A20       | 35           | 1.38   | 20         | 0.79   | 35                     |
| A01       | 35           | 1.38   | 25         | 0.98   | 42                     |
| A02       | 35           | 1.38   | 30         | 1.18   | 48                     |
| A03       | 35           | 1.38   | 35         | 1.38   | 54                     |
| A04       | 35           | 1.38   | 40         | 1.57   | 62                     |
| A45       | 35           | 1.38   | 45         | 1.77   | 67                     |
| A05       | 35           | 1.38   | 50         | 1.97   | 74                     |
| A55       | 35           | 1.38   | 55         | 2.17   | 80                     |
| A06       | 35           | 1.38   | 63         | 2.48   | 88                     |
| A07       | 35           | 1.38   | 70         | 2.76   | 98                     |
| A08       | 35           | 1.38   | 80         | 3.15   | 112                    |
| A10       | 35           | 1.38   | 105        | 4.13   | 144                    |
| N04       | 40           | 1.57   | 40         | 1.57   | 82                     |
| N05       | 40           | 1.57   | 50         | 1.97   | 105                    |
| N06       | 40           | 1.57   | 63         | 2.48   | 130                    |
| N08       | 40           | 1.57   | 80         | 3.15   | 185                    |
| N10       | 40           | 1.57   | 105        | 4.13   | 265                    |
| B05       | 50           | 1.97   | 50         | 1.97   | 136                    |
| B06       | 50           | 1.97   | 63         | 2.48   | 168                    |
| B08       | 50           | 1.97   | 80         | 3.15   | 239                    |
| B09       | 50           | 1.97   | 92         | 3.62   | 241                    |
| B10       | 50           | 1.97   | 105        | 4.13   | 325                    |

## Typical Performance Curves



# Type 381LX / 383LX 105 °C High Ripple, Snap-In Aluminum

High Ripple, Long Life, 2,4 and 5 pin styles available

## Ratings

| Cap.<br>µF                   | Catalog Part Number | Max ESR<br>Ω @ 25 °C |        | Ripple Amps<br>Max @ 105 °C |        | Nominal<br>Size |
|------------------------------|---------------------|----------------------|--------|-----------------------------|--------|-----------------|
|                              |                     | 120 Hz               | 20 kHz | 120 Hz                      | 20 kHz |                 |
| <b>10 Vdc (13 Vdc Surge)</b> |                     |                      |        |                             |        |                 |
| 4700                         | 381LX472M010H012    | 0.159                | 0.135  | .85                         | .98    | 22 x 25         |
| 6800                         | 381LX682M010H012    | 0.111                | 0.093  | 1.30                        | 1.50   | 22 x 25         |
| 10000                        | 381LX103M010H012    | 0.075                | 0.063  | 1.80                        | 2.10   | 22 x 25         |
| 12000                        | 381LX123M010H022    | 0.061                | 0.053  | 2.20                        | 2.50   | 22 x 30         |
| 15000                        | 381LX153M010H032    | 0.055                | 0.045  | 2.30                        | 2.60   | 22 x 35         |
| 15000                        | 381LX153M010J012    | 0.055                | 0.045  | 2.30                        | 2.60   | 25 x 25         |
| 18000                        | 381LX183M010H042    | 0.044                | 0.038  | 2.40                        | 2.80   | 22 x 40         |
| 18000                        | 381LX183M010J022    | 0.044                | 0.038  | 2.40                        | 2.80   | 25 x 30         |
| 22000                        | 381LX223M010H452    | 0.040                | 0.032  | 2.60                        | 3.00   | 22 x 45         |
| 22000                        | 381LX223M010J032    | 0.040                | 0.032  | 2.60                        | 3.00   | 25 x 35         |
| 22000                        | 381LX223M010K012    | 0.040                | 0.032  | 2.60                        | 3.00   | 30 x 25         |
| 27000                        | 381LX273M010H052    | 0.033                | 0.028  | 3.10                        | 3.60   | 22 x 50         |
| 27000                        | 381LX273M010J042    | 0.033                | 0.028  | 3.10                        | 3.60   | 25 x 40         |
| 27000                        | 381LX273M010K022    | 0.033                | 0.028  | 3.10                        | 3.60   | 30 x 30         |
| 27000                        | 381LX273M010A012    | 0.033                | 0.028  | 3.10                        | 3.60   | 35 x 25         |
| 33000                        | 381LX333M010J452    | 0.030                | 0.023  | 3.40                        | 3.90   | 25 x 45         |
| 33000                        | 381LX333M010K032    | 0.030                | 0.023  | 3.40                        | 3.90   | 30 x 35         |
| 33000                        | 381LX333M010A022    | 0.030                | 0.023  | 3.40                        | 3.90   | 35 x 30         |
| 39000                        | 381LX393M010J052    | 0.025                | 0.020  | 3.70                        | 4.30   | 25 x 50         |
| 39000                        | 381LX393M010K042    | 0.025                | 0.020  | 3.70                        | 4.30   | 30 x 40         |
| 39000                        | 381LX393M010A022    | 0.025                | 0.020  | 3.70                        | 4.30   | 35 x 30         |
| 47000                        | 381LX473M010K452    | 0.023                | 0.020  | 4.20                        | 4.80   | 30 x 45         |
| 47000                        | 381LX473M010A032    | 0.023                | 0.020  | 4.20                        | 4.80   | 35 x 35         |
| 56000                        | 381LX563M010K052    | 0.022                | 0.019  | 5.00                        | 5.80   | 30 x 50         |
| 56000                        | 381LX563M010A042    | 0.022                | 0.019  | 5.00                        | 5.80   | 35 x 40         |
| 68000                        | 381LX683M010A052    | 0.021                | 0.020  | 5.50                        | 6.30   | 35 x 50         |
| 68000                        | 383LX683M010N042    | 0.023                | 0.022  | 5.40                        | 6.20   | 40 x 40         |
| 82000                        | 381L823M010A062     | 0.013                | 0.008  | 6.30                        | 7.90   | 35 x 63         |
| 82000                        | 383LX823M010N052    | 0.018                | 0.017  | 7.40                        | 8.50   | 40 x 50         |
| 100000                       | 381L104M010A072     | 0.011                | 0.007  | 7.30                        | 9.00   | 35 x 70         |
| 120000                       | 381L124M010A082     | 0.010                | 0.006  | 8.20                        | 10.00  | 35 x 80         |
| 120000                       | 383L124M010N062     | 0.012                | 0.008  | 7.10                        | 8.60   | 40 x 63         |
| 150000                       | 383L154M010N082     | 0.009                | 0.006  | 8.90                        | 10.60  | 40 x 80         |
| <b>16 Vdc (20 Vdc Surge)</b> |                     |                      |        |                             |        |                 |
| 3300                         | 381LX332M016H202    | 0.216                | 0.170  | 1.30                        | 1.50   | 22 x 20         |
| 3300                         | 381LX332M016H012    | 0.176                | 0.141  | 1.30                        | 1.50   | 22 x 25         |
| 4700                         | 381LX472M016H012    | 0.123                | 0.099  | 1.52                        | 1.75   | 22 x 25         |
| 4700                         | 381LX472M016J202    | 0.150                | 0.120  | 1.60                        | 1.80   | 25 x 20         |
| 6800                         | 381LX682M016H012    | 0.088                | 0.067  | 2.20                        | 2.50   | 22 x 25         |
| 6800                         | 381LX682M016K202    | 0.105                | 0.080  | 1.80                        | 2.10   | 30 x 20         |
| 8200                         | 381LX822M016H022    | 0.070                | 0.055  | 2.40                        | 2.80   | 22 x 30         |
| 10000                        | 381LX103M016H022    | 0.120                | 0.086  | 2.60                        | 3.00   | 22 x 30         |
| 10000                        | 381LX103M016J012    | 0.120                | 0.086  | 2.60                        | 3.00   | 25 x 25         |
| 10000                        | 381LX103M016A202    | 0.120                | 0.086  | 2.40                        | 2.80   | 35 x 20         |

| Cap. µF                      | Catalog Part Number | Max ESR<br>Ω @ 25 °C |        | Ripple Amps<br>Max @ 105 °C |        | Nominal<br>Size |
|------------------------------|---------------------|----------------------|--------|-----------------------------|--------|-----------------|
|                              |                     | 120 Hz               | 20 kHz | 120 Hz                      | 20 kHz |                 |
| 12000                        | 381LX123M016H032    | 0.055                | 0.044  | 2.90                        | 3.30   | 22 x 35         |
| 12000                        | 381LX123M016J022    | 0.055                | 0.044  | 2.90                        | 3.30   | 25 x 30         |
| 12000                        | 381LX123M016K012    | 0.055                | 0.044  | 2.90                        | 3.30   | 30 x 25         |
| 15000                        | 381LX153M016H042    | 0.080                | 0.064  | 3.20                        | 3.70   | 22 x 40         |
| 15000                        | 381LX153M016J032    | 0.080                | 0.064  | 3.20                        | 3.70   | 25 x 35         |
| 15000                        | 381LX153M016K022    | 0.080                | 0.064  | 3.20                        | 3.70   | 30 x 30         |
| 18000                        | 381LX183M016H452    | 0.040                | 0.034  | 3.50                        | 4.00   | 22 x 45         |
| 18000                        | 381LX183M016J042    | 0.040                | 0.034  | 3.50                        | 4.00   | 25 x 40         |
| 18000                        | 381LX183M016K022    | 0.040                | 0.034  | 3.50                        | 4.00   | 30 x 30         |
| 18000                        | 381LX183M016A012    | 0.040                | 0.034  | 3.50                        | 4.00   | 35 x 25         |
| 22000                        | 381LX223M016J452    | 0.033                | 0.028  | 3.80                        | 4.40   | 25 x 45         |
| 22000                        | 381LX223M016K032    | 0.033                | 0.028  | 3.80                        | 4.40   | 30 x 35         |
| 22000                        | 381LX223M016A022    | 0.033                | 0.028  | 3.80                        | 4.40   | 35 x 30         |
| 27000                        | 381LX273M016J052    | 0.045                | 0.034  | 4.20                        | 4.80   | 25 x 50         |
| 27000                        | 381LX273M016K042    | 0.030                | 0.025  | 4.20                        | 4.80   | 30 x 40         |
| 27000                        | 381LX273M016A022    | 0.030                | 0.025  | 4.20                        | 4.80   | 35 x 30         |
| 33000                        | 381LX333M016K452    | 0.023                | 0.020  | 4.70                        | 5.40   | 30 x 45         |
| 33000                        | 381LX333M016A032    | 0.023                | 0.020  | 4.70                        | 5.40   | 35 x 35         |
| 39000                        | 381LX393M016K052    | 0.022                | 0.020  | 5.10                        | 5.90   | 30 x 50         |
| 39000                        | 381LX393M016A042    | 0.022                | 0.020  | 5.10                        | 5.90   | 35 x 40         |
| 47000                        | 381LX473M016A452    | 0.020                | 0.018  | 5.50                        | 6.30   | 35 x 45         |
| 47000                        | 383LX473M016N042    | 0.020                | 0.018  | 5.50                        | 6.33   | 40 x 40         |
| 56000                        | 381LX563M016A052    | 0.019                | 0.017  | 6.00                        | 6.90   | 35 x 50         |
| 68000                        | 381LX683M016A062    | 0.017                | 0.015  | 6.60                        | 7.60   | 35 x 63         |
| 68000                        | 381L683M016A072     | 0.012                | 0.007  | 7.10                        | 9.00   | 35 x 70         |
| 68000                        | 383LX683M016N052    | 0.015                | 0.014  | 7.30                        | 8.40   | 40 x 50         |
| 82000                        | 381L823M016A082     | 0.010                | 0.007  | 8.00                        | 10.00  | 35 x 80         |
| 82000                        | 383LX823M016N062    | 0.017                | 0.013  | 7.70                        | 8.80   | 40 x 63         |
| 100000                       | 381LX104M016A082    | 0.015                | 0.013  | 8.00                        | 9.20   | 35 x 80         |
| 120000                       | 381LX124M016A102    | 0.014                | 0.012  | 8.71                        | 10.02  | 35 x 105        |
| 120000                       | 383LX124M016N082    | 0.014                | 0.012  | 8.80                        | 10.10  | 40 x 80         |
| 120000                       | 383LX124M016B052V   | 0.015                | 0.014  | 9.02                        | 10.37  | 50 x 50         |
| 150000                       | 383LX154M016N102    | 0.013                | 0.012  | 9.88                        | 11.36  | 40 x 105        |
| 150000                       | 383LX154M016B062V   | 0.014                | 0.013  | 10.15                       | 11.67  | 50 x 63         |
| 180000                       | 383LX184M016B082V   | 0.013                | 0.012  | 11.02                       | 12.67  | 50 x 80         |
| 220000                       | 383LX224M016B092V   | 0.012                | 0.011  | 11.71                       | 13.47  | 50 x 92         |
| 250000                       | 383LX254M016B102V   | 0.011                | 0.010  | 12.31                       | 14.16  | 50 x 105        |
| <b>25 Vdc (32 Vdc Surge)</b> |                     |                      |        |                             |        |                 |
| 2200                         | 381LX222M025H202    | 0.240                | 0.180  | 1.30                        | 1.50   | 22 x 20         |
| 2200                         | 381LX222M025H012    | 0.240                | 0.180  | 1.30                        | 1.50   | 22 x 25         |
| 3300                         | 381LX332M025H012    | 0.160                | 0.120  | 1.60                        | 1.80   | 25 x 20         |
| 3300                         | 381LX332M025J202    | 0.160                | 0.120  | 1.60                        | 1.80   | 25 x 20         |
| 4700                         | 381LX472M025H012    | 0.105                | 0.080  | 2.00                        | 2.30   | 22 x 25         |
| 4700                         | 381LX472M025K202    | 0.110                | 0.085  | 1.80                        | 2.10   | 30 x 20         |
| 5600                         | 381LX562M025H022    | 0.090                | 0.070  | 2.20                        | 2.50   | 22 x 30         |

# Type 381LX / 383LX 105 °C High Ripple, Snap-In Aluminum

High Ripple, Long Life, 2,4 and 5 pin styles available

| Cap.<br>µF                   | Catalog Part Number | Max ESR<br>Ω @ 25 °C |        | Ripple Amps<br>Max @ 105 °C |        | Nominal<br>Size |
|------------------------------|---------------------|----------------------|--------|-----------------------------|--------|-----------------|
|                              |                     | 120 Hz               | 20 kHz | 120 Hz                      | 20 kHz |                 |
| 6800                         | 381LX682M025H022    | 0.070                | 0.055  | 2.40                        | 2.80   | 22 x 30         |
| 6800                         | 381LX682M025J012    | 0.070                | 0.055  | 2.40                        | 2.80   | 25 x 25         |
| 6800                         | 381LX682M025A202    | 0.080                | 0.060  | 2.30                        | 2.60   | 35 x 20         |
| 8200                         | 381LX822M025H032    | 0.060                | 0.045  | 2.70                        | 3.10   | 22 x 35         |
| 8200                         | 381LX822M025J022    | 0.060                | 0.045  | 2.70                        | 3.10   | 25 x 30         |
| 8200                         | 381LX822M025K012    | 0.060                | 0.045  | 2.70                        | 3.10   | 30 x 25         |
| 10000                        | 381LX103M025H042    | 0.103                | 0.082  | 3.00                        | 3.50   | 22 x 40         |
| 10000                        | 381LX103M025J032    | 0.103                | 0.082  | 3.00                        | 3.50   | 25 x 35         |
| 10000                        | 381LX103M025K022    | 0.103                | 0.082  | 3.00                        | 3.50   | 30 x 30         |
| 12000                        | 381LX123M025H452    | 0.044                | 0.033  | 3.20                        | 3.68   | 22 x 45         |
| 12000                        | 381LX123M025J042    | 0.044                | 0.033  | 3.20                        | 3.70   | 25 x 40         |
| 12000                        | 381LX123M025K022    | 0.044                | 0.033  | 3.20                        | 3.70   | 30 x 30         |
| 12000                        | 381LX123M025A012    | 0.044                | 0.033  | 3.20                        | 3.70   | 35 x 25         |
| 15000                        | 381LX153M025J452    | 0.069                | 0.059  | 3.60                        | 4.10   | 25 x 45         |
| 15000                        | 381LX153M025K032    | 0.069                | 0.059  | 3.60                        | 4.10   | 30 x 35         |
| 15000                        | 381LX153M025A022    | 0.069                | 0.059  | 3.60                        | 4.10   | 35 x 30         |
| 18000                        | 381LX183M025J052    | 0.057                | 0.049  | 3.90                        | 4.50   | 25 x 50         |
| 18000                        | 381LX183M025K042    | 0.057                | 0.049  | 3.90                        | 4.50   | 30 x 40         |
| 18000                        | 381LX183M025A032    | 0.057                | 0.049  | 3.90                        | 4.50   | 35 x 35         |
| 22000                        | 381LX223M025K452    | 0.025                | 0.022  | 4.30                        | 4.90   | 30 x 45         |
| 22000                        | 381LX223M025A032    | 0.025                | 0.022  | 4.30                        | 4.90   | 35 x 35         |
| 27000                        | 381LX273M025A452    | 0.038                | 0.034  | 4.80                        | 5.50   | 35 x 45         |
| 27000                        | 383L273M025N042     | 0.020                | 0.013  | 4.60                        | 5.60   | 40 x 40         |
| 33000                        | 381LX333M025A052    | 0.031                | 0.027  | 5.50                        | 6.30   | 35 x 50         |
| 33000                        | 383LX333M025N042    | 0.031                | 0.027  | 5.50                        | 6.33   | 40 x 40         |
| 39000                        | 381L393M025A062     | 0.014                | 0.009  | 6.10                        | 7.60   | 35 x 63         |
| 39000                        | 383L393M025N052     | 0.015                | 0.010  | 5.80                        | 7.00   | 40 x 50         |
| 47000                        | 381LX473M025A062    | 0.017                | 0.015  | 6.50                        | 7.50   | 35 x 63         |
| 47000                        | 381L473M025A072     | 0.012                | 0.008  | 7.10                        | 8.70   | 35 x 70         |
| 47000                        | 383LX473M025N052    | 0.015                | 0.014  | 6.50                        | 7.40   | 40 x 50         |
| 47000                        | 383L473M025N062     | 0.012                | 0.008  | 6.90                        | 8.30   | 40 x 63         |
| 56000                        | 381L563M025A082     | 0.010                | 0.007  | 7.90                        | 9.70   | 35 x 80         |
| 56000                        | 383LX563M025N062    | 0.015                | 0.012  | 7.20                        | 8.25   | 40 x 63         |
| 68000                        | 383L683M025N082     | 0.009                | 0.007  | 8.70                        | 10.20  | 40 x 80         |
| 82000                        | 381LX823M025A102    | 0.013                | 0.012  | 8.58                        | 9.87   | 35 x 105        |
| 82000                        | 383LX823M025N082    | 0.014                | 0.011  | 8.70                        | 10.00  | 40 x 80         |
| 82000                        | 383LX823M025B052V   | 0.016                | 0.015  | 9.20                        | 10.58  | 50 x 50         |
| 100000                       | 383LX104M025N102    | 0.012                | 0.010  | 9.76                        | 11.22  | 40 x 105        |
| 100000                       | 383LX104M025B062V   | 0.015                | 0.013  | 10.02                       | 11.52  | 50 x 63         |
| 120000                       | 383LX124M025B082V   | 0.013                | 0.012  | 10.93                       | 12.57  | 50 x 80         |
| 150000                       | 383LX154M025B092V   | 0.012                | 0.011  | 11.70                       | 13.46  | 50 x 92         |
| 180000                       | 383LX184M025B102V   | 0.010                | 0.009  | 12.42                       | 14.28  | 50 x 105        |
| <b>35 Vdc (44 Vdc Surge)</b> |                     |                      |        |                             |        |                 |
| 1500                         | 381LX152M035H202    | 0.287                | 0.216  | 1.10                        | 1.30   | 22 x 20         |
| 1500                         | 381LX152M035H012    | 0.287                | 0.216  | 1.10                        | 1.30   | 22 x 25         |

| Cap.<br>µF                   | Catalog Part Number | Max ESR<br>Ω @ 25 °C |        | Ripple Amps<br>Max @ 105 °C |        | Nominal<br>Size |
|------------------------------|---------------------|----------------------|--------|-----------------------------|--------|-----------------|
|                              |                     | 120 Hz               | 20 kHz | 120 Hz                      | 20 kHz |                 |
| 2200                         | 381LX222M035H012    | 0.200                | 0.150  | 1.40                        | 1.60   | 22 x 25         |
| 2200                         | 381LX222M035J202    | 0.200                | 0.150  | 1.40                        | 1.60   | 25 x 20         |
| 3300                         | 381LX332M035H012    | 0.121                | 0.091  | 1.90                        | 2.20   | 22 x 25         |
| 3300                         | 381LX332M035K202    | 0.130                | 0.100  | 1.70                        | 2.00   | 30 x 20         |
| 3900                         | 381LX392M035H022    | 0.110                | 0.080  | 2.00                        | 2.30   | 22 x 30         |
| 4700                         | 381LX472M035H032    | 0.090                | 0.070  | 2.20                        | 2.50   | 22 x 35         |
| 4700                         | 381LX472M035J012    | 0.090                | 0.070  | 2.20                        | 2.50   | 25 x 25         |
| 4700                         | 381LX472M035A202    | 0.095                | 0.070  | 2.00                        | 2.30   | 35 x 20         |
| 5600                         | 381LX562M035H032    | 0.071                | 0.054  | 2.40                        | 2.80   | 22 x 35         |
| 5600                         | 381LX562M035J022    | 0.071                | 0.054  | 2.40                        | 2.80   | 25 x 30         |
| 5600                         | 381LX562M035K012    | 0.071                | 0.054  | 2.40                        | 2.80   | 30 x 25         |
| 6800                         | 381LX682M035H042    | 0.088                | 0.067  | 2.60                        | 3.00   | 22 x 40         |
| 6800                         | 381LX682M035J032    | 0.088                | 0.067  | 2.60                        | 3.00   | 25 x 35         |
| 6800                         | 381LX682M035K022    | 0.088                | 0.067  | 2.60                        | 3.00   | 30 x 30         |
| 8200                         | 381LX822M035H052    | 0.049                | 0.037  | 2.90                        | 3.30   | 22 x 50         |
| 8200                         | 381LX822M035J042    | 0.049                | 0.037  | 2.90                        | 3.30   | 25 x 40         |
| 8200                         | 381LX822M035K022    | 0.049                | 0.037  | 2.90                        | 3.30   | 30 x 30         |
| 8200                         | 381LX822M035A012    | 0.049                | 0.037  | 2.90                        | 3.30   | 35 x 25         |
| 10000                        | 381LX103M035J452    | 0.040                | 0.030  | 3.20                        | 3.70   | 25 x 45         |
| 10000                        | 381LX103M035K032    | 0.040                | 0.030  | 3.20                        | 3.70   | 30 x 35         |
| 10000                        | 381LX103M035A022    | 0.040                | 0.030  | 3.20                        | 3.70   | 35 x 30         |
| 12000                        | 381LX123M035J052    | 0.05                 | 0.038  | 3.50                        | 4.00   | 25 x 50         |
| 12000                        | 381LX123M035K042    | 0.05                 | 0.038  | 3.50                        | 4.00   | 30 x 40         |
| 12000                        | 381LX123M035A022    | 0.05                 | 0.038  | 3.50                        | 4.00   | 35 x 30         |
| 15000                        | 381LX153M035K452    | 0.030                | 0.020  | 3.90                        | 4.50   | 30 x 45         |
| 15000                        | 381LX153M035A032    | 0.030                | 0.020  | 3.90                        | 4.50   | 35 x 35         |
| 18000                        | 381LX183M035A042    | 0.030                | 0.021  | 4.30                        | 4.90   | 35 x 40         |
| 22000                        | 381LX223M035A052    | 0.023                | 0.017  | 5.00                        | 5.80   | 35 x 50         |
| 22000                        | 383LX223M035N042    | 0.023                | 0.017  | 5.00                        | 5.75   | 40 x 40         |
| 27000                        | 381LX273M035A062    | 0.025                | 0.018  | 5.50                        | 6.40   | 35 x 63         |
| 27000                        | 383LX273M035N052    | 0.020                | 0.015  | 5.45                        | 6.25   | 40 x 50         |
| 33000                        | 381L333M035A072     | 0.014                | 0.009  | 6.40                        | 8.10   | 35 x 70         |
| 33000                        | 383L333M035N062     | 0.019                | 0.014  | 6.60                        | 7.60   | 40 x 63         |
| 39000                        | 381LX393M035A082    | 0.019                | 0.014  | 6.50                        | 7.50   | 35 x 80         |
| 47000                        | 381LX473M035A102    | 0.017                | 0.013  | 8.07                        | 9.28   | 35 x 105        |
| 47000                        | 383L473M035N082     | 0.018                | 0.013  | 7.80                        | 9.00   | 40 x 80         |
| 47000                        | 383LX473M035B052V   | 0.021                | 0.016  | 8.25                        | 9.49   | 50 x 50         |
| 56000                        | 383LX563M035B062V   | 0.019                | 0.014  | 9.07                        | 10.43  | 50 x 63         |
| 68000                        | 383LX683M035N102    | 0.016                | 0.012  | 9.27                        | 10.66  | 40 x 105        |
| 68000                        | 383LX683M035B082V   | 0.017                | 0.013  | 10.07                       | 11.58  | 50 x 80         |
| 82000                        | 383LX823M035B092V   | 0.015                | 0.011  | 10.89                       | 12.52  | 50 x 92         |
| 100000                       | 383LX104M035B102V   | 0.013                | 0.010  | 11.75                       | 13.51  | 50 x 105        |
| <b>50 Vdc (63 Vdc Surge)</b> |                     |                      |        |                             |        |                 |
| 1000                         | 381LX102M050H202    | 0.260                | 0.200  | .90                         | 1.00   | 22 x 20         |
| 1000                         | 381LX102M050H012    | 0.230                | 0.170  | .90                         | 1.00   | 22 x 20         |

# Type 381LX / 383LX 105 °C High Ripple, Snap-In Aluminum

High Ripple, Long Life, 2,4 and 5 pin styles available

| Cap.<br>µF                   | Catalog Part Number | Max ESR<br>Ω @ 25 °C |        | Ripple Amps<br>Max @ 105 °C |        | Nominal<br>Size |
|------------------------------|---------------------|----------------------|--------|-----------------------------|--------|-----------------|
|                              |                     | 120 Hz               | 20 kHz | 120 Hz                      | 20 kHz |                 |
| <b>50 Vdc (63 Vdc Surge)</b> |                     |                      |        |                             |        |                 |
| 1500                         | 381LX152M050H012    | 0.155                | 0.120  | 1.25                        | 1.45   | 22 x 25         |
| 1500                         | 381LX152M050J202    | 0.177                | 0.130  | 1.20                        | 1.40   | 25 x 20         |
| 1800                         | 381LX182M050H012    | 0.129                | 0.097  | 1.50                        | 1.70   | 22 x 25         |
| 2200                         | 381LX222M050H022    | 0.105                | 0.080  | 1.70                        | 2.00   | 22 x 30         |
| 2200                         | 381LX222M050K202    | 0.121                | 0.090  | 1.40                        | 1.60   | 30 x 20         |
| 2700                         | 381LX272M050H022    | 0.086                | 0.064  | 1.80                        | 2.10   | 22 x 30         |
| 2700                         | 381LX272M050J012    | 0.086                | 0.064  | 1.80                        | 2.10   | 25 x 25         |
| 3300                         | 381LX332M050H032    | 0.070                | 0.053  | 2.00                        | 2.30   | 22 x 35         |
| 3300                         | 381LX332M050J022    | 0.070                | 0.053  | 2.00                        | 2.30   | 25 x 30         |
| 3300                         | 381LX332M050A202    | 0.085                | 0.064  | 1.70                        | 2.00   | 35 x 20         |
| 3900                         | 381LX392M050H042    | 0.065                | 0.050  | 2.20                        | 2.50   | 22 x 40         |
| 3900                         | 381LX392M050J032    | 0.065                | 0.050  | 2.20                        | 2.50   | 25 x 35         |
| 3900                         | 381LX392M050K012    | 0.065                | 0.050  | 2.20                        | 2.50   | 30 x 25         |
| 4700                         | 381LX472M050H452    | 0.053                | 0.040  | 2.50                        | 2.90   | 22 x 45         |
| 4700                         | 381LX471M050J042    | 0.053                | 0.040  | 2.50                        | 2.90   | 25 x 40         |
| 4700                         | 381LX472M050K022    | 0.053                | 0.040  | 2.50                        | 2.90   | 30 x 30         |
| 4700                         | 381LX472M050A012    | 0.053                | 0.040  | 2.50                        | 2.90   | 35 x 25         |
| 5600                         | 381LX562M050H052    | 0.050                | 0.038  | 2.80                        | 3.20   | 22 x 50         |
| 5600                         | 381LX562M050J042    | 0.050                | 0.038  | 2.80                        | 3.20   | 25 x 40         |
| 5600                         | 381LX562M050K032    | 0.050                | 0.038  | 2.80                        | 3.20   | 30 x 35         |
| 5600                         | 381LX562M050A022    | 0.050                | 0.038  | 2.80                        | 3.20   | 35 x 30         |
| 6800                         | 381LX682M050J052    | 0.046                | 0.035  | 3.30                        | 3.80   | 25 x 50         |
| 6800                         | 381LX682M050K042    | 0.046                | 0.035  | 3.30                        | 3.80   | 30 x 40         |
| 6800                         | 381LX682M050A022    | 0.046                | 0.035  | 3.30                        | 3.80   | 35 x 30         |
| 8200                         | 381LX822M050K452    | 0.047                | 0.035  | 3.60                        | 4.10   | 30 x 45         |
| 8200                         | 381LX822M050A032    | 0.047                | 0.035  | 3.60                        | 4.10   | 35 x 35         |
| 10000                        | 381LX103M050K052    | 0.033                | 0.025  | 4.00                        | 4.60   | 30 x 50         |
| 10000                        | 381LX103M050A042    | 0.033                | 0.025  | 4.00                        | 4.60   | 35 x 40         |
| 12000                        | 381LX123M050A452    | 0.028                | 0.021  | 4.50                        | 5.20   | 35 x 45         |
| 12000                        | 383L123M050N042     | 0.029                | 0.018  | 3.80                        | 4.80   | 40 x 40         |
| 15000                        | 381LX153M050A052    | 0.022                | 0.018  | 4.80                        | 5.50   | 35 x 50         |
| 15000                        | 381L153M050A062     | 0.020                | 0.012  | 5.10                        | 6.50   | 35 x 63         |
| 15000                        | 383LX153M050N042    | 0.022                | 0.018  | 4.80                        | 5.52   | 40 x 40         |
| 15000                        | 383L153M050N052     | 0.021                | 0.013  | 4.90                        | 6.10   | 40 x 50         |
| 18000                        | 381L183M050A072     | 0.017                | 0.010  | 5.90                        | 7.50   | 35 x 70         |
| 18000                        | 383L183M050N062     | 0.017                | 0.011  | 5.80                        | 7.20   | 40 x 63         |
| 18000                        | 381LX183M050A062    | 0.028                | 0.022  | 5.30                        | 6.00   | 35 x 63         |
| 22000                        | 381L223M050A082     | 0.014                | 0.009  | 6.70                        | 8.40   | 35 x 80         |
| 22000                        | 383LX223M050N052    | 0.016                | 0.013  | 5.10                        | 5.90   | 40 x 50         |
| 27000                        | 381LX273M050A082    | 0.015                | 0.012  | 6.20                        | 7.10   | 35 x 80         |
| 27000                        | 383LX273M050N062    | 0.015                | 0.012  | 6.05                        | 6.96   | 40 x 63         |
| 27000                        | 383L273M050N082     | 0.013                | 0.009  | 7.40                        | 9.00   | 40 x 80         |
| 33000                        | 381LX333M050A102    | 0.013                | 0.010  | 7.23                        | 8.31   | 35 x 105        |
| 33000                        | 383LX333M050B052V   | 0.018                | 0.014  | 7.75                        | 8.91   | 50 x 50         |

| Cap.<br>µF                   | Catalog Part Number | Max ESR<br>Ω @ 25 °C |        | Ripple Amps<br>Max @ 105 °C |        | Nominal<br>Size |
|------------------------------|---------------------|----------------------|--------|-----------------------------|--------|-----------------|
|                              |                     | 120 Hz               | 20 kHz | 120 Hz                      | 20 kHz |                 |
| <b>63 Vdc (79 Vdc Surge)</b> |                     |                      |        |                             |        |                 |
| 39000                        | 383LX393M050N082    | 0.013                | 0.010  | 6.20                        | 7.10   | 40 x 80         |
| 39000                        | 383LX393M050B062V   | 0.016                | 0.013  | 8.40                        | 9.66   | 50 x 63         |
| 47000                        | 383LX473M050N102    | 0.012                | 0.010  | 8.18                        | 9.41   | 40 x 105        |
| 47000                        | 383LX473M050B082V   | 0.014                | 0.011  | 9.19                        | 10.57  | 50 x 80         |
| 56000                        | 383LX563M050B092V   | 0.012                | 0.009  | 9.79                        | 11.26  | 50 x 92         |
| 68000                        | 383LX683M050B102V   | 0.011                | 0.009  | 10.40                       | 12.00  | 50 x 105        |
| 680                          | 381LX681M063H202    | 0.463                | 0.350  | .90                         | 1.00   | 22 x 20         |
| 680                          | 381LX681M063H012    | 0.410                | 0.310  | .90                         | 1.00   | 22 x 25         |
| 1000                         | 381LX102M063H012    | 0.280                | 0.210  | 1.18                        | 1.35   | 22 x 25         |
| 1000                         | 381LX102M063J202    | 0.315                | 0.240  | 1.20                        | 1.40   | 25 x 20         |
| 1200                         | 381LX122M063H012    | 0.235                | 0.180  | 1.40                        | 1.60   | 22 x 25         |
| 1500                         | 381LX152M063H022    | 0.190                | 0.140  | 1.50                        | 1.70   | 22 x 30         |
| 1500                         | 381LX152M063K202    | 0.210                | 0.160  | 1.30                        | 1.50   | 30 x 20         |
| 1800                         | 381LX182M063H022    | 0.157                | 0.117  | 1.70                        | 1.96   | 22 x 30         |
| 1800                         | 381LX182M063J012    | 0.157                | 0.117  | 1.70                        | 2.00   | 25 x 25         |
| 2200                         | 381LX222M063H032    | 0.130                | 0.096  | 2.00                        | 2.30   | 22 x 35         |
| 2200                         | 381LX222M063J022    | 0.130                | 0.096  | 2.00                        | 2.30   | 25 x 30         |
| 2200                         | 381LX222M063A202    | 0.143                | 0.110  | 1.50                        | 1.70   | 35 x 20         |
| 2700                         | 381LX272M063H042    | 0.105                | 0.080  | 2.20                        | 2.50   | 22 x 40         |
| 2700                         | 381LX272M063J032    | 0.105                | 0.080  | 2.20                        | 2.50   | 25 x 35         |
| 2700                         | 381LX272M063K012    | 0.105                | 0.080  | 2.20                        | 2.50   | 30 x 25         |
| 3300                         | 381LX332M063H052    | 0.090                | 0.070  | 2.50                        | 2.90   | 22 x 50         |
| 3300                         | 381LX332M063J042    | 0.090                | 0.070  | 2.50                        | 2.90   | 25 x 40         |
| 3300                         | 381LX332M063K022    | 0.090                | 0.070  | 2.50                        | 2.90   | 30 x 30         |
| 3300                         | 381LX332M063A012    | 0.090                | 0.070  | 2.50                        | 2.90   | 35 x 25         |
| 3900                         | 381LX392M063J452    | 0.080                | 0.060  | 2.70                        | 3.10   | 25 x 45         |
| 3900                         | 381LX392M063K032    | 0.080                | 0.060  | 2.70                        | 3.10   | 30 x 35         |
| 3900                         | 381LX392M063A022    | 0.080                | 0.060  | 2.70                        | 3.10   | 35 x 30         |
| 4700                         | 381LX472M063J052    | 0.063                | 0.048  | 3.00                        | 3.50   | 25 x 50         |
| 4700                         | 381LX472M063K042    | 0.063                | 0.048  | 3.00                        | 3.50   | 30 x 40         |
| 4700                         | 381LX472M063A022    | 0.063                | 0.048  | 3.00                        | 3.50   | 35 x 30         |
| 5600                         | 381LX562M063K452    | 0.055                | 0.040  | 3.30                        | 3.80   | 30 x 45         |
| 5600                         | 381LX562M063A032    | 0.055                | 0.040  | 3.30                        | 3.80   | 35 x 35         |
| 6800                         | 381LX682M063K052    | 0.050                | 0.040  | 3.60                        | 4.10   | 30 x 50         |
| 6800                         | 381LX682M063A042    | 0.050                | 0.040  | 3.60                        | 4.10   | 35 x 40         |
| 8200                         | 381LX822M063A452    | 0.040                | 0.030  | 3.90                        | 4.50   | 35 x 45         |
| 8200                         | 383L822M063N042     | 0.031                | 0.018  | 3.70                        | 4.80   | 40 x 40         |
| 10000                        | 381LX103M063A052    | 0.033                | 0.028  | 4.40                        | 5.10   | 35 x 50         |
| 12000                        | 381LX123M063A052    | 0.030                | 0.025  | 4.40                        | 5.10   | 35 x 50         |
| 12000                        | 381L123M063A062     | 0.029                | 0.012  | 4.20                        | 6.50   | 35 x 63         |
| 12000                        | 383LX123M063N042    | 0.030                | 0.028  | 4.52                        | 5.20   | 40 x 40         |
| 12000                        | 383L123M063N052     | 0.022                | 0.013  | 4.70                        | 6.10   | 40 x 50         |
| 15000                        | 381LX153M063A062    | 0.024                | 0.021  | 4.90                        | 5.70   | 35 x 63         |
| 15000                        | 383LX153M063N052    | 0.027                | 0.023  | 4.80                        | 5.50   | 40 x 50         |



# Type 381LX / 383LX 105 °C High Ripple, Snap-In Aluminum

High Ripple, Long Life, 2,4 and 5 pin styles available

| Cap.<br>µF                    | Catalog Part Number | Max ESR<br>Ω @ 25 °C |        | Ripple Amps<br>Max @ 105 °C |        | Nominal<br>Size |
|-------------------------------|---------------------|----------------------|--------|-----------------------------|--------|-----------------|
|                               |                     | 120 Hz               | 20 kHz | 120 Hz                      | 20 kHz |                 |
| <b>63 Vdc (79 Vdc Surge)</b>  |                     |                      |        |                             |        |                 |
| 15000                         | 383L153M063N062     | 0.018                | 0.011  | 5.70                        | 7.20   | 40 x 63         |
| 18000                         | 381LX183M063A082    | 0.022                | 0.019  | 5.80                        | 6.70   | 35 x 80         |
| 18000                         | 383LX183M063N062    | 0.023                | 0.020  | 5.40                        | 6.20   | 40 x 63         |
| 22000                         | 383L223M063N082     | 0.013                | 0.009  | 7.20                        | 9.00   | 40 x 80         |
| 22000                         | 383LX223M063B052V   | 0.019                | 0.016  | 6.76                        | 7.77   | 50 x 50         |
| 27000                         | 381LX273M063A102    | 0.017                | 0.014  | 6.53                        | 7.51   | 35 x 105        |
| 27000                         | 383LX273M063N082    | 0.017                | 0.014  | 6.60                        | 7.60   | 40 x 80         |
| 27000                         | 383LX273M063B062V   | 0.017                | 0.014  | 7.34                        | 8.44   | 50 x 63         |
| 33000                         | 383LX333M063B082V   | 0.015                | 0.013  | 8.00                        | 9.20   | 50 x 80         |
| 39000                         | 383LX393M063N102    | 0.014                | 0.012  | 7.53                        | 8.66   | 40 x 105        |
| 39000                         | 383LX393M063B092V   | 0.014                | 0.012  | 8.48                        | 9.75   | 50 x 92         |
| 47000                         | 383LX473M063B102V   | 0.012                | 0.010  | 8.99                        | 10.34  | 50 x 105        |
| <b>80 Vdc (100 Vdc Surge)</b> |                     |                      |        |                             |        |                 |
| 470                           | 381LX471M080H202    | 0.460                | 0.300  | .80                         | .90    | 22 x 20         |
| 470                           | 381LX471M080H012    | 0.390                | 0.270  | .80                         | .90    | 22 x 25         |
| 680                           | 381LX681M080H012    | 0.270                | 0.190  | 1.00                        | 1.15   | 22 x 25         |
| 680                           | 381LX681M080J202    | 0.317                | 0.206  | 1.00                        | 1.20   | 25 x 20         |
| 820                           | 381LX821M080H012    | 0.222                | 0.145  | 1.20                        | 1.40   | 22 x 25         |
| 1000                          | 381LX102M080H022    | 0.182                | 0.120  | 1.30                        | 1.50   | 22 x 30         |
| 1000                          | 381LX102M080J012    | 0.182                | 0.120  | 1.30                        | 1.50   | 25 x 25         |
| 1000                          | 381LX102M080K202    | 0.220                | 0.140  | 1.20                        | 1.40   | 30 x 20         |
| 1200                          | 381LX122M080H022    | 0.220                | 0.140  | 1.50                        | 1.70   | 22 x 30         |
| 1200                          | 381LX122M080J012    | 0.220                | 0.140  | 1.50                        | 1.70   | 25 x 25         |
| 1500                          | 381LX152M080H032    | 0.133                | 0.093  | 1.70                        | 2.00   | 22 x 35         |
| 1500                          | 381LX152M080J022    | 0.133                | 0.093  | 1.70                        | 2.00   | 25 x 30         |
| 1500                          | 381LX152M080A202    | 0.155                | 0.110  | 1.40                        | 1.60   | 35 x 20         |
| 1800                          | 381LX182M080H042    | 0.111                | 0.080  | 1.80                        | 2.10   | 22 x 40         |
| 1800                          | 381LX182M080J032    | 0.111                | 0.080  | 1.80                        | 2.10   | 25 x 35         |
| 1800                          | 381LX182M080K012    | 0.111                | 0.080  | 1.80                        | 2.10   | 30 x 25         |
| 2200                          | 381LX222M080H452    | 0.090                | 0.063  | 2.10                        | 2.40   | 22 x 45         |
| 2200                          | 381LX222M080J032    | 0.090                | 0.063  | 2.10                        | 2.40   | 25 x 35         |
| 2200                          | 381LX222M080K022    | 0.090                | 0.063  | 2.10                        | 2.40   | 30 x 30         |
| 2200                          | 381LX222M080A012    | 0.090                | 0.063  | 2.10                        | 2.40   | 35 x 25         |
| 2700                          | 381LX272M080J452    | 0.074                | 0.055  | 2.40                        | 2.80   | 25 x 45         |
| 2700                          | 381LX272M080K032    | 0.074                | 0.055  | 2.40                        | 2.80   | 30 x 35         |
| 2700                          | 381LX272M080A022    | 0.074                | 0.055  | 2.40                        | 2.80   | 35 x 30         |
| 3300                          | 381LX332M080J052    | 0.065                | 0.049  | 2.60                        | 3.00   | 25 x 50         |
| 3300                          | 381LX332M080K042    | 0.065                | 0.049  | 2.60                        | 3.00   | 30 x 40         |
| 3300                          | 381LX332M080A022    | 0.065                | 0.049  | 2.60                        | 3.00   | 35 x 30         |
| 3900                          | 381LX392M080K452    | 0.060                | 0.044  | 3.00                        | 3.50   | 30 x 45         |
| 3900                          | 381LX392M080A032    | 0.060                | 0.044  | 3.00                        | 3.50   | 35 x 35         |
| 4700                          | 381LX472M080K052    | 0.048                | 0.036  | 3.30                        | 3.80   | 30 x 50         |
| 4700                          | 381LX472M080A042    | 0.048                | 0.036  | 3.30                        | 3.80   | 35 x 40         |
| 5600                          | 381LX562M080A452    | 0.050                | 0.038  | 3.70                        | 4.30   | 35 x 45         |

| Cap.<br>µF                     | Catalog Part Number | Max ESR<br>Ω @ 25 °C |        | Ripple Amps<br>Max @ 105 °C |        | Nominal<br>Size |
|--------------------------------|---------------------|----------------------|--------|-----------------------------|--------|-----------------|
|                                |                     | 120 Hz               | 20 kHz | 120 Hz                      | 20 kHz |                 |
| 5600                           | 383L562M080N042     | 0.035                | 0.022  | 3.50                        | 4.40   | 40 x 40         |
| 6800                           | 381LX682M080A052    | 0.041                | 0.031  | 3.90                        | 4.50   | 35 x 50         |
| 6800                           | 383LX682M080N042    | 0.041                | 0.031  | 3.90                        | 4.49   | 40 x 40         |
| 8200                           | 381L822M080A062     | 0.024                | 0.014  | 4.60                        | 5.90   | 35 x 63         |
| 8200                           | 383L822M080N052     | 0.025                | 0.016  | 4.40                        | 5.60   | 40 x 50         |
| 10000                          | 381L103M080A072     | 0.020                | 0.012  | 5.40                        | 6.90   | 35 x 70         |
| 10000                          | 383L103M080N062     | 0.021                | 0.013  | 5.30                        | 6.70   | 40 x 63         |
| 12000                          | 381L123M080A082     | 0.017                | 0.011  | 6.10                        | 7.70   | 35 x 80         |
| 12000                          | 383LX123M080B052V   | 0.035                | 0.026  | 6.03                        | 6.93   | 50 x 50         |
| 15000                          | 381LX153M080A102    | 0.024                | 0.018  | 6.13                        | 7.05   | 35 x 105        |
| 15000                          | 383L153M080N082     | 0.015                | 0.010  | 6.80                        | 8.40   | 40 x 80         |
| 15000                          | 383LX153M080B062V   | 0.028                | 0.021  | 6.65                        | 7.65   | 50 x 63         |
| 18000                          | 383LX183M080B082V   | 0.026                | 0.019  | 7.29                        | 8.38   | 50 x 80         |
| 22000                          | 383LX223M080N102    | 0.019                | 0.014  | 6.95                        | 7.99   | 40 x 105        |
| 22000                          | 383LX223M080B092V   | 0.022                | 0.016  | 7.83                        | 9.00   | 50 x 92         |
| 27000                          | 383LX273M080B102V   | 0.018                | 0.014  | 8.38                        | 9.64   | 50 x 105        |
| <b>100 Vdc (125 Vdc Surge)</b> |                     |                      |        |                             |        |                 |
| 330                            | 381LX331M100H202    | 0.653                | 0.392  | .80                         | 1.20   | 22 x 20         |
| 330                            | 381LX331M100H012    | 0.550                | 0.330  | .80                         | 1.20   | 22 x 25         |
| 470                            | 381LX471M100H012    | 0.390                | 0.230  | .92                         | 1.40   | 22 x 25         |
| 470                            | 381LX471M100J202    | 0.460                | 0.275  | 1.00                        | 1.50   | 25 x 20         |
| 560                            | 381LX561M100H012    | 0.300                | 0.180  | 1.10                        | 1.30   | 22 x 25         |
| 680                            | 381LX681M100K202    | 0.317                | 0.190  | 1.10                        | 1.70   | 30 x 20         |
| 820                            | 381LX821M100H022    | 0.265                | 0.157  | 1.40                        | 1.80   | 22 x 30         |
| 820                            | 381LX821M100J012    | 0.265                | 0.157  | 1.40                        | 1.80   | 25 x 25         |
| 1000                           | 381LX102M100H032    | 0.182                | 0.110  | 1.70                        | 2.55   | 22 x 35         |
| 1000                           | 381LX102M100J022    | 0.182                | 0.110  | 1.70                        | 2.55   | 25 x 30         |
| 1000                           | 381LX102M100A202    | 0.216                | 0.130  | 1.20                        | 1.80   | 35 x 20         |
| 1200                           | 381LX122M100H042    | 0.152                | 0.091  | 1.80                        | 2.70   | 22 x 40         |
| 1200                           | 381LX122M100J032    | 0.152                | 0.091  | 1.80                        | 2.70   | 25 x 35         |
| 1200                           | 381LX122M100K012    | 0.152                | 0.091  | 1.80                        | 2.70   | 30 x 25         |
| 1500                           | 381LX152M100H452    | 0.122                | 0.073  | 2.10                        | 3.15   | 22 x 45         |
| 1500                           | 381LX152M100J042    | 0.122                | 0.073  | 2.10                        | 3.15   | 25 x 40         |
| 1500                           | 381LX152M100K022    | 0.122                | 0.073  | 2.10                        | 3.15   | 30 x 30         |
| 1500                           | 381LX152M100A012    | 0.122                | 0.073  | 2.10                        | 3.15   | 35 x 25         |
| 1800                           | 381LX182M100J452    | 0.111                | 0.072  | 2.30                        | 3.45   | 25 x 45         |
| 1800                           | 381LX182M100K032    | 0.111                | 0.072  | 2.30                        | 3.45   | 30 x 35         |
| 1800                           | 381LX182M100A022    | 0.111                | 0.072  | 2.30                        | 3.45   | 35 x 30         |
| 2200                           | 381LX222M100J052    | 0.090                | 0.060  | 2.60                        | 3.90   | 25 x 50         |
| 2200                           | 381LX222M100K042    | 0.090                | 0.060  | 2.60                        | 3.90   | 30 x 40         |
| 2200                           | 381LX222M100A022    | 0.090                | 0.060  | 2.60                        | 3.90   | 35 x 30         |
| 2700                           | 381LX272M100K452    | 0.080                | 0.052  | 2.90                        | 4.35   | 30 x 45         |
| 2700                           | 381LX272M100A032    | 0.080                | 0.052  | 2.90                        | 4.35   | 35 x 35         |
| 3300                           | 381LX332M100K052    | 0.075                | 0.053  | 3.20                        | 4.80   | 30 x 50         |
| 3300                           | 381LX332M100A042    | 0.075                | 0.053  | 3.20                        | 4.80   | 35 x 40         |

# Type 381LX / 383LX 105 °C High Ripple, Snap-In Aluminum

High Ripple, Long Life, 2,4 and 5 pin styles available

| Cap.<br>µF                     | Catalog Part Number | Max ESR<br>Ω @ 25 °C |        | Ripple Amps<br>Max @ 105 °C |        | Nominal<br>Size<br>D x L (mm) |
|--------------------------------|---------------------|----------------------|--------|-----------------------------|--------|-------------------------------|
|                                |                     | 120 Hz               | 20 kHz | 120 Hz                      | 20 kHz |                               |
| <b>100 Vdc (125 Vdc Surge)</b> |                     |                      |        |                             |        |                               |
| 3900                           | 381LX392M100A452    | 0.064                | 0.045  | 3.60                        | 5.40   | 35 x 45                       |
| 4700                           | 381LX472M100A052    | 0.053                | 0.040  | 3.80                        | 5.70   | 35 x 50                       |
| 4700                           | 381L472M100A062     | 0.032                | 0.013  | 4.00                        | 5.80   | 35 x 63                       |
| 4700                           | 383LX472M100N042    | 0.053                | 0.040  | 3.80                        | 5.70   | 40 x 40                       |
| 5600                           | 381LX562M100A062    | 0.044                | 0.033  | 4.10                        | 4.70   | 35 x 63                       |
| 5600                           | 381L562M100A072     | 0.027                | 0.011  | 4.70                        | 6.70   | 35 x 70                       |
| 5600                           | 383L562M100N062     | 0.027                | 0.012  | 4.60                        | 6.50   | 40 x 63                       |
| 6800                           | 381L682M100A082     | 0.023                | 0.010  | 5.30                        | 7.50   | 35 x 80                       |
| 6800                           | 383LX682M100N052    | 0.037                | 0.027  | 4.60                        | 5.30   | 40 x 50                       |
| 8200                           | 381LX822M100A082    | 0.030                | 0.023  | 5.15                        | 5.90   | 35 x 80                       |
| 8200                           | 383LX822M100N062    | 0.030                | 0.023  | 5.00                        | 5.77   | 40 x 63                       |
| 8200                           | 383L822M100N082     | 0.020                | 0.009  | 6.00                        | 8.20   | 40 x 80                       |
| 8200                           | 383LX822M100B052V   | 0.030                | 0.023  | 6.14                        | 7.06   | 50 x 50                       |
| 10000                          | 381LX103M100A102    | 0.025                | 0.019  | 6.38                        | 7.34   | 35 x 105                      |
| 12000                          | 383LX123M100N082    | 0.021                | 0.016  | 6.44                        | 7.40   | 40 x 80                       |
| 12000                          | 383LX123M100B062V   | 0.022                | 0.017  | 7.17                        | 8.25   | 50 x 63                       |
| 15000                          | 383LX153M100N102    | 0.017                | 0.012  | 7.37                        | 8.48   | 40 x 105                      |
| 15000                          | 383LX153M100B082V   | 0.019                | 0.014  | 8.01                        | 9.21   | 50 x 80                       |
| 18000                          | 383LX183M100B092V   | 0.017                | 0.012  | 8.64                        | 9.94   | 50 x 92                       |
| 22000                          | 383LX223M100B102V   | 0.015                | 0.011  | 9.32                        | 10.72  | 50 x 105                      |
| <b>160 Vdc (200 Vdc Surge)</b> |                     |                      |        |                             |        |                               |
| 150                            | 381LX151M160H202    | 1.437                | 0.647  | .55                         | .77    | 22 x 20                       |
| 150                            | 381LX151M160H012    | 1.220                | 0.550  | .60                         | .85    | 22 x 25                       |
| 220                            | 381LX221M160H012    | 0.830                | 0.370  | .90                         | 1.25   | 22 x 25                       |
| 220                            | 381LX221M160J202    | 0.980                | 0.441  | .80                         | 1.10   | 25 x 20                       |
| 270                            | 381LX271M160H012    | 0.675                | 0.304  | 1.10                        | 1.50   | 22 x 25                       |
| 330                            | 381LX331M160H022    | 0.553                | 0.249  | 1.20                        | 1.70   | 22 x 30                       |
| 330                            | 381LX331M160K202    | 0.553                | 0.249  | 1.00                        | 1.40   | 30 x 20                       |
| 390                            | 381LX391M160H022    | 0.553                | 0.249  | 1.30                        | 1.80   | 22 x 30                       |
| 390                            | 381LX391M160J012    | 0.553                | 0.249  | 1.30                        | 1.80   | 25 x 25                       |
| 470                            | 381LX471M160H022    | 0.423                | 0.190  | 1.40                        | 2.00   | 22 x 30                       |
| 470                            | 381LX471M160A202    | 0.459                | 0.206  | 1.10                        | 1.60   | 35 x 20                       |
| 560                            | 381LX561M160H032    | 0.355                | 0.160  | 1.50                        | 2.10   | 22 x 35                       |
| 560                            | 381LX561M160J022    | 0.385                | 0.173  | 1.50                        | 2.10   | 25 x 30                       |
| 560                            | 381LX561M160K012    | 0.385                | 0.173  | 1.50                        | 2.10   | 30 x 25                       |
| 680                            | 381LX681M160H042    | 0.293                | 0.132  | 1.70                        | 2.40   | 22 x 40                       |
| 680                            | 381LX681M160J022    | 0.293                | 0.132  | 1.70                        | 2.40   | 25 x 30                       |
| 820                            | 381LX821M160H452    | 0.243                | 0.109  | 2.00                        | 2.80   | 22 x 45                       |
| 820                            | 381LX821M160J032    | 0.243                | 0.109  | 2.00                        | 2.80   | 25 x 35                       |
| 820                            | 381LX821M160K022    | 0.263                | 0.118  | 2.00                        | 2.80   | 30 x 30                       |
| 1000                           | 381LX102M160H052    | 0.199                | 0.090  | 2.20                        | 3.10   | 22 x 50                       |
| 1000                           | 381LX102M160J042    | 0.199                | 0.090  | 2.20                        | 3.10   | 25 x 40                       |
| 1000                           | 381LX102M160K022    | 0.199                | 0.090  | 2.20                        | 3.10   | 30 x 30                       |
| 1000                           | 381LX102M160A012    | 0.199                | 0.090  | 2.20                        | 3.10   | 35 x 25                       |

| Cap.<br>µF                     | Catalog Part Number | Max ESR<br>Ω @ 25 °C |        | Ripple Amps<br>Max @ 105 °C |        | Nominal<br>Size<br>D x L (mm) |
|--------------------------------|---------------------|----------------------|--------|-----------------------------|--------|-------------------------------|
|                                |                     | 120 Hz               | 20 kHz | 120 Hz                      | 20 kHz |                               |
| 1200                           | 381LX122M160J452    | 0.180                | 0.090  | 2.30                        | 3.20   | 25 x 45                       |
| 1200                           | 381LX122M160K032    | 0.180                | 0.090  | 2.30                        | 3.20   | 30 x 35                       |
| 1200                           | 381LX122M160A022    | 0.180                | 0.090  | 2.30                        | 3.20   | 35 x 30                       |
| 1500                           | 381LX152M160K042    | 0.144                | 0.072  | 2.50                        | 3.50   | 30 x 40                       |
| 1500                           | 381LX152M160A022    | 0.144                | 0.072  | 2.50                        | 3.50   | 35 x 30                       |
| 1800                           | 381LX182M160K452    | 0.129                | 0.064  | 2.70                        | 3.80   | 30 x 45                       |
| 1800                           | 381LX182M160A032    | 0.129                | 0.064  | 2.70                        | 3.80   | 35 x 35                       |
| 2200                           | 381LX222M160A452    | 0.105                | 0.063  | 2.90                        | 4.10   | 35 x 45                       |
| 2200                           | 381L222M160A062     | 0.050                | 0.027  | 3.30                        | 4.50   | 35 x 63                       |
| 2200                           | 383LX222M160N042    | 0.100                | 0.060  | 2.90                        | 4.10   | 40 x 40                       |
| 2700                           | 381LX272M160A052    | 0.086                | 0.052  | 3.10                        | 4.40   | 35 x 50                       |
| 2700                           | 381L272M160A072     | 0.043                | 0.023  | 3.80                        | 5.20   | 35 x 70                       |
| 2700                           | 383L272M160N062     | 0.045                | 0.027  | 3.80                        | 5.00   | 40 x 63                       |
| 3300                           | 381L332M160A082     | 0.037                | 0.020  | 3.80                        | 5.90   | 35 x 80                       |
| 3300                           | 383LX332M160N052    | 0.070                | 0.040  | 3.40                        | 4.70   | 40 x 40                       |
| 3900                           | 383L392M160A082     | 0.029                | 0.017  | 4.90                        | 6.30   | 40 x 80                       |
| <b>180 Vdc (225 Vdc Surge)</b> |                     |                      |        |                             |        |                               |
| 220                            | 381LX221M180H012    | 0.904                | 0.461  | 1.00                        | 1.40   | 22 x 25                       |
| 270                            | 381LX271M180H012    | 0.737                | 0.376  | 1.10                        | 1.50   | 22 x 25                       |
| 330                            | 381LX331M180H022    | 0.603                | 0.308  | 1.20                        | 1.70   | 22 x 30                       |
| 330                            | 381LX331M180J012    | 0.603                | 0.308  | 1.20                        | 1.70   | 25 x 25                       |
| 390                            | 381LX391M180H022    | 0.510                | 0.260  | 1.30                        | 1.80   | 22 x 30                       |
| 390                            | 381LX391M180J012    | 0.510                | 0.260  | 1.30                        | 1.80   | 25 x 25                       |
| 470                            | 381LX471M180H032    | 0.423                | 0.216  | 1.40                        | 2.00   | 22 x 35                       |
| 470                            | 381LX471M180J022    | 0.423                | 0.216  | 1.40                        | 2.00   | 25 x 30                       |
| 470                            | 381LX471M180K012    | 0.423                | 0.216  | 1.40                        | 2.00   | 30 x 25                       |
| 560                            | 381LX561M180H042    | 0.355                | 0.181  | 1.50                        | 2.10   | 22 x 40                       |
| 560                            | 381LX561M180J022    | 0.355                | 0.181  | 1.50                        | 2.10   | 25 x 30                       |
| 560                            | 381LX561M180J032    | 0.355                | 0.181  | 1.50                        | 2.10   | 25 x 35                       |
| 560                            | 381LX561M180K012    | 0.355                | 0.181  | 1.50                        | 2.10   | 30 x 25                       |
| 680                            | 381LX681M180H452    | 0.293                | 0.149  | 1.70                        | 2.40   | 22 x 45                       |
| 680                            | 381LX681M180H052    | 0.293                | 0.149  | 1.70                        | 2.40   | 22 x 50                       |
| 680                            | 381LX681M180J032    | 0.293                | 0.149  | 1.70                        | 2.40   | 25 x 35                       |
| 680                            | 381LX681M180J042    | 0.293                | 0.149  | 1.70                        | 2.40   | 25 x 40                       |
| 680                            | 381LX681M180K022    | 0.293                | 0.149  | 1.70                        | 2.40   | 30 x 30                       |
| 820                            | 381LX821M180H052    | 0.243                | 0.124  | 2.00                        | 2.80   | 22 x 50                       |
| 820                            | 381LX821M180J042    | 0.243                | 0.124  | 2.00                        | 2.80   | 25 x 40                       |
| 820                            | 381LX821M180J452    | 0.243                | 0.124  | 2.00                        | 2.80   | 25 x 45                       |
| 820                            | 381LX821M180K022    | 0.243                | 0.124  | 2.00                        | 2.80   | 30 x 30                       |
| 820                            | 381LX821M180K032    | 0.243                | 0.124  | 2.00                        | 2.80   | 30 x 35                       |
| 1000                           | 381LX102M180J452    | 0.199                | 0.102  | 2.20                        | 3.10   | 25 x 45                       |
| 1000                           | 381LX102M180K032    | 0.199                | 0.102  | 2.20                        | 3.10   | 30 x 35                       |
| 1000                           | 381LX102M180K042    | 0.199                | 0.102  | 2.20                        | 3.10   | 30 x 40                       |
| 1000                           | 381LX102M180A022    | 0.199                | 0.102  | 2.20                        | 3.10   | 35 x 30                       |
| 1200                           | 381LX122M180J052    | 0.166                | 0.085  | 2.30                        | 3.20   | 25 x 50                       |



# Type 381LX / 383LX 105 °C High Ripple, Snap-In Aluminum

High Ripple, Long Life, 2,4 and 5 pin styles available

| Cap.<br>µF                     | Catalog Part Number | Max ESR<br>Ω @ 25 °C |        | Ripple Amps<br>Max @ 105 °C |        | Nominal<br>Size |
|--------------------------------|---------------------|----------------------|--------|-----------------------------|--------|-----------------|
|                                |                     | 120 Hz               | 20 kHz | 120 Hz                      | 20 kHz |                 |
| <b>180 Vdc (225 Vdc Surge)</b> |                     |                      |        |                             |        |                 |
| 1200                           | 381LX122M180K042    | 0.166                | 0.085  | 2.30                        | 3.20   | 30 x 40         |
| 1200                           | 381LX122M180K452    | 0.166                | 0.085  | 2.30                        | 3.20   | 30 x 45         |
| 1200                           | 381LX122M180A022    | 0.166                | 0.085  | 2.30                        | 3.20   | 35 x 30         |
| 1500                           | 381LX152M180K452    | 0.133                | 0.068  | 2.50                        | 3.50   | 30 x 45         |
| 1500                           | 381LX152M180K052    | 0.133                | 0.068  | 2.50                        | 3.50   | 30 x 50         |
| 1500                           | 381LX152M180A032    | 0.133                | 0.068  | 2.50                        | 3.50   | 35 x 35         |
| 1500                           | 381LX152M180A042    | 0.133                | 0.068  | 2.50                        | 3.50   | 35 x 40         |
| 1800                           | 381L182M180A062     | 0.055                | 0.028  | 3.20                        | 4.50   | 35 x 63         |
| 1800                           | 383L182M180N052     | 0.059                | 0.033  | 3.10                        | 4.20   | 40 x 50         |
| 1800                           | 381LX182M180A452    | 0.111                | 0.028  | 2.70                        | 3.80   | 35 x 45         |
| 2200                           | 381L222M180A072     | 0.046                | 0.024  | 3.70                        | 5.20   | 35 x 70         |
| 2200                           | 383L222M180N062     | 0.048                | 0.027  | 3.70                        | 4.90   | 40 x 63         |
| 2200                           | 381LX222M180A052    | 0.090                | 0.046  | 2.90                        | 4.10   | 35 x 50         |
| 2700                           | 381L272M180A082     | 0.039                | 0.021  | 4.30                        | 5.90   | 35 x 80         |
| 3300                           | 383L332M180N082     | 0.035                | 0.020  | 4.80                        | 6.30   | 40 x 80         |
| <b>200 Vdc (250 Vdc Surge)</b> |                     |                      |        |                             |        |                 |
| 100                            | 381LX101M200H202    | 1.989                | 0.895  | .50                         | .70    | 22 x 20         |
| 100                            | 381LX101M200H012    | 1.660                | 0.750  | .50                         | .70    | 22 x 25         |
| 150                            | 381LX151M200H012    | 1.100                | 0.500  | .70                         | .95    | 22 x 25         |
| 150                            | 381LX151M200J202    | 1.326                | 0.600  | .70                         | .90    | 25 x 20         |
| 220                            | 381LX221M200H012    | 0.754                | 0.339  | 1.00                        | 1.40   | 22 x 25         |
| 220                            | 381LX221M200K202    | 0.904                | 0.407  | .90                         | 1.20   | 30 x 20         |
| 270                            | 381LX271M200H022    | 0.614                | 0.276  | 1.10                        | 1.50   | 22 x 30         |
| 270                            | 381LX271M200J012    | 0.614                | 0.276  | 1.10                        | 1.50   | 25 x 25         |
| 330                            | 381LX331M200H022    | 0.603                | 0.308  | 1.20                        | 1.70   | 22 x 30         |
| 330                            | 381LX331M200J012    | 0.603                | 0.308  | 1.20                        | 1.70   | 25 x 25         |
| 330                            | 381LX331M200A202    | 0.603                | 0.271  | 1.10                        | 1.50   | 35 x 20         |
| 390                            | 381LX391M200H022    | 0.510                | 0.230  | 1.30                        | 1.80   | 22 x 30         |
| 390                            | 381LX391M200J012    | 0.510                | 0.230  | 1.30                        | 1.80   | 25 x 25         |
| 470                            | 381LX471M200H032    | 0.423                | 0.190  | 1.40                        | 2.00   | 22 x 35         |
| 470                            | 381LX471M200J022    | 0.423                | 0.190  | 1.40                        | 2.00   | 25 x 30         |
| 470                            | 381LX471M200K012    | 0.353                | 0.159  | 1.40                        | 2.00   | 30 x 25         |
| 560                            | 381LX561M200H042    | 0.355                | 0.160  | 1.50                        | 2.10   | 22 x 40         |
| 560                            | 381LX561M200J022    | 0.355                | 0.160  | 1.50                        | 2.10   | 25 x 30         |
| 560                            | 381LX561M200K012    | 0.355                | 0.160  | 1.50                        | 2.10   | 30 x 25         |
| 680                            | 381LX681M200H452    | 0.293                | 0.132  | 1.70                        | 2.40   | 22 x 45         |
| 680                            | 381LX681M200J032    | 0.293                | 0.132  | 1.70                        | 2.40   | 25 x 35         |
| 680                            | 381LX681M200K022    | 0.244                | 0.110  | 1.70                        | 2.40   | 30 x 30         |
| 820                            | 381LX821M200J452    | 0.263                | 0.118  | 2.00                        | 2.80   | 25 x 45         |
| 820                            | 381LX821M200K022    | 0.263                | 0.118  | 2.00                        | 2.80   | 30 x 30         |
| 820                            | 381LX821M200A012    | 0.263                | 0.118  | 2.00                        | 2.80   | 35 x 25         |
| 1000                           | 381LX102M200J052    | 0.216                | 0.108  | 2.20                        | 3.10   | 25 x 50         |
| 1000                           | 381LX102M200K032    | 0.216                | 0.108  | 2.20                        | 3.10   | 30 x 35         |
| 1000                           | 381LX102M200A022    | 0.216                | 0.108  | 2.20                        | 3.10   | 35 x 30         |

| Cap.<br>µF                     | Catalog Part Number | Max ESR<br>Ω @ 25 °C |        | Ripple Amps<br>Max @ 105 °C |        | Nominal<br>Size |
|--------------------------------|---------------------|----------------------|--------|-----------------------------|--------|-----------------|
|                                |                     | 120 Hz               | 20 kHz | 120 Hz                      | 20 kHz |                 |
| 1200                           | 381LX122M200K042    | 0.193                | 0.097  | 2.30                        | 3.20   | 30 x 40         |
| 1200                           | 381LX122M200A032    | 0.193                | 0.097  | 2.30                        | 3.20   | 35 x 35         |
| 1500                           | 381LX152M200K052    | 0.155                | 0.077  | 2.50                        | 3.50   | 30 x 50         |
| 1500                           | 381LX152M200A042    | 0.155                | 0.077  | 2.50                        | 3.50   | 35 x 40         |
| 1800                           | 381LX182M200A452    | 0.129                | 0.077  | 2.70                        | 3.80   | 35 x 45         |
| 1800                           | 381L182M200A062     | 0.055                | 0.028  | 3.20                        | 4.50   | 35 x 63         |
| 1800                           | 383LX182M200N042    | 0.129                | 0.077  | 2.70                        | 3.78   | 40 x 40         |
| 1800                           | 383L182M200N052     | 0.063                | 0.033  | 3.00                        | 4.10   | 40 x 50         |
| 2200                           | 381LX222M200A052    | 0.105                | 0.063  | 2.90                        | 4.00   | 35 x 50         |
| 2200                           | 381L222M200A082     | 0.042                | 0.021  | 4.10                        | 5.80   | 35 x 80         |
| 2200                           | 383L222M200N062     | 0.051                | 0.027  | 3.60                        | 4.90   | 40 x 63         |
| 2700                           | 381LX272M200A062    | 0.080                | 0.047  | 3.65                        | 5.11   | 35 x 63         |
| 2700                           | 383LX272M200N052    | 0.086                | 0.052  | 3.55                        | 4.97   | 40 x 50         |
| 2700                           | 383L272M200N082     | 0.032                | 0.018  | 4.60                        | 6.20   | 40 x 80         |
| 3300                           | 381LX332M200A082    | 0.065                | 0.039  | 4.50                        | 6.33   | 35 x 80         |
| 3300                           | 383LX332M200N062    | 0.700                | 0.040  | 4.40                        | 6.20   | 40 x 63         |
| 3300                           | 383LX332M200B052V   | 0.075                | 0.045  | 5.20                        | 7.28   | 50 x 50         |
| 3900                           | 383LX392M200B062V   | 0.064                | 0.038  | 5.90                        | 8.26   | 50 x 63         |
| 4700                           | 381LX472M200A102    | 0.046                | 0.028  | 5.70                        | 7.98   | 35 x 105        |
| 4700                           | 383LX472M200N082    | 0.050                | 0.030  | 5.75                        | 8.10   | 40 x 80         |
| 4700                           | 383LX472M200B082V   | 0.053                | 0.032  | 6.82                        | 9.55   | 50 x 80         |
| 5600                           | 383LX562M200N102    | 0.041                | 0.025  | 6.76                        | 9.46   | 40 x 105        |
| 5600                           | 383LX562M200B092V   | 0.044                | 0.027  | 7.68                        | 10.75  | 50 x 92         |
| 6800                           | 383LX682M200B102V   | 0.034                | 0.020  | 8.71                        | 12.19  | 50 x 105        |
| <b>250 Vdc (300 Vdc Surge)</b> |                     |                      |        |                             |        |                 |
| 68                             | 381LX680M250H202    | 2.926                | 1.493  | .40                         | .60    | 22 x 20         |
| 68                             | 381LX680M250H012    | 2.440                | 1.220  | .40                         | .60    | 22 x 25         |
| 100                            | 381LX101M250H012    | 1.660                | 0.830  | .55                         | .78    | 22 x 25         |
| 100                            | 381LX101M250J202    | 1.989                | 1.015  | .50                         | .70    | 25 x 20         |
| 150                            | 381LX151M250H012    | 1.330                | 0.660  | .65                         | .90    | 22 x 25         |
| 150                            | 381LX151M250K202    | 1.110                | 0.553  | .75                         | 1.05   | 30 x 20         |
| 180                            | 381LX181M250H012    | 0.921                | 0.461  | .90                         | 1.26   | 22 x 25         |
| 220                            | 381LX221M250H022    | 0.754                | 0.377  | 1.00                        | 1.40   | 22 x 30         |
| 220                            | 381LX221M250J012    | 0.754                | 0.377  | 1.00                        | 1.40   | 25 x 25         |
| 220                            | 381LX221M250A202    | 0.904                | 0.452  | .90                         | 1.20   | 35 x 20         |
| 270                            | 381LX271M250H032    | 0.614                | 0.307  | 1.10                        | 1.50   | 22 x 35         |
| 270                            | 381LX271M250J022    | 0.614                | 0.307  | 1.10                        | 1.50   | 25 x 30         |
| 270                            | 381LX271M250K012    | 0.614                | 0.307  | 1.10                        | 1.50   | 30 x 25         |
| 330                            | 381LX331M250H042    | 0.502                | 0.251  | 1.20                        | 1.70   | 22 x 40         |
| 330                            | 381LX331M250J022    | 0.502                | 0.251  | 1.20                        | 1.70   | 25 x 30         |
| 330                            | 381LX331M250K012    | 0.502                | 0.251  | 1.20                        | 1.70   | 30 x 25         |
| 390                            | 381LX391M250H452    | 0.425                | 0.213  | 1.30                        | 1.80   | 22 x 45         |
| 390                            | 381LX391M250J032    | 0.425                | 0.213  | 1.30                        | 1.80   | 25 x 35         |
| 390                            | 381LX391M250K012    | 0.425                | 0.213  | 1.30                        | 1.80   | 30 x 25         |
| 470                            | 381LX471M250H052    | 0.353                | 0.176  | 1.40                        | 2.00   | 22 x 50         |

# Type 381LX / 383LX 105 °C High Ripple, Snap-In Aluminum

High Ripple, Long Life, 2,4 and 5 pin styles available

| Cap.<br>µF                     | Catalog Part Number | Max ESR<br>Ω @ 25 °C |        | Ripple Amps<br>Max @ 105 °C |        | Nominal<br>Size | D x L (mm) |
|--------------------------------|---------------------|----------------------|--------|-----------------------------|--------|-----------------|------------|
|                                |                     | 120 Hz               | 20 kHz | 120 Hz                      | 20 kHz |                 |            |
| <b>250 Vdc (300 Vdc Surge)</b> |                     |                      |        |                             |        |                 |            |
| 470                            | 381LX471M250J042    | 0.353                | 0.176  | 1.40                        | 2.00   | 25 x 40         |            |
| 470                            | 381LX471M250K022    | 0.353                | 0.176  | 1.40                        | 2.00   | 30 x 30         |            |
| 560                            | 381LX561M250J452    | 0.296                | 0.148  | 1.50                        | 2.10   | 25 x 45         |            |
| 560                            | 381LX561M250K032    | 0.296                | 0.148  | 1.50                        | 2.10   | 30 x 35         |            |
| 560                            | 381LX561M250A012    | 0.296                | 0.148  | 1.50                        | 2.10   | 35 x 25         |            |
| 680                            | 381LX681M250J052    | 0.244                | 0.134  | 1.70                        | 2.38   | 25 x 50         |            |
| 680                            | 381LX681M250K042    | 0.244                | 0.134  | 1.70                        | 2.38   | 30 x 40         |            |
| 680                            | 381LX681M250A022    | 0.244                | 0.134  | 1.70                        | 2.38   | 35 x 30         |            |
| 680                            | 381L681M250A052     | 0.293                | 0.149  | 1.80                        | 2.50   | 35 x 50         |            |
| 820                            | 381LX821M250K452    | 0.202                | 0.111  | 2.00                        | 2.80   | 30 x 45         |            |
| 820                            | 381LX821M250A032    | 0.202                | 0.111  | 2.00                        | 2.80   | 35 x 35         |            |
| 1000                           | 381LX102M250K052    | 0.199                | 0.109  | 2.20                        | 3.10   | 30 x 50         |            |
| 1000                           | 381LX102M250A042    | 0.199                | 0.109  | 2.20                        | 3.10   | 35 x 40         |            |
| 1200                           | 381LX122M250A452    | 0.166                | 0.099  | 2.30                        | 3.20   | 35 x 45         |            |
| 1200                           | 383LX122M250N042    | 0.180                | 0.117  | 2.66                        | 3.72   | 40 x 40         |            |
| 1200                           | 383L122M250N052     | 0.081                | 0.031  | 2.60                        | 4.30   | 40 x 50         |            |
| 1500                           | 381LX152M250A052    | 0.144                | 0.093  | 2.50                        | 3.50   | 35 x 50         |            |
| 1500                           | 381L152M250A072     | 0.066                | 0.021  | 3.10                        | 5.50   | 35 x 70         |            |
| 1800                           | 381L182M250A082     | 0.057                | 0.018  | 3.60                        | 6.30   | 35 x 80         |            |
| 1800                           | 383LX182M250N052    | 0.120                | 0.078  | 3.25                        | 4.55   | 40 x 50         |            |
| 1800                           | 383L182M250N062     | 0.066                | 0.025  | 3.10                        | 5.10   | 40 x 63         |            |
| 2200                           | 381LX222M250A082    | 0.096                | 0.064  | 3.75                        | 5.25   | 35 x 80         |            |
| 2200                           | 383LX222M250N062    | 0.098                | 0.064  | 3.70                        | 5.15   | 40 x 63         |            |
| 2200                           | 383L222M250N082     | 0.043                | 0.017  | 4.00                        | 6.40   | 40 x 80         |            |
| 2200                           | 383LX222M250B052V   | 0.098                | 0.064  | 4.35                        | 6.09   | 50 x 50         |            |
| 2700                           | 381LX272M250A102    | 0.080                | 0.052  | 4.80                        | 6.72   | 35 x 105        |            |
| 2700                           | 383LX272M250N082    | 0.092                | 0.047  | 3.10                        | 4.30   | 40 x 80         |            |
| 2700                           | 383LX272M250B062V   | 0.080                | 0.052  | 4.98                        | 6.97   | 50 x 63         |            |
| 3300                           | 383LX332M250N082    | 0.065                | 0.042  | 4.86                        | 6.80   | 40 x 80         |            |
| 3900                           | 383LX392M250N102    | 0.055                | 0.036  | 5.61                        | 7.85   | 40 x 105        |            |
| 3900                           | 383LX392M250B082V   | 0.055                | 0.036  | 6.10                        | 8.54   | 50 x 80         |            |
| 4300                           | 383LX432M250B092V   | 0.050                | 0.033  | 6.67                        | 9.34   | 50 x 92         |            |
| 4700                           | 383LX472M250B102V   | 0.046                | 0.030  | 7.03                        | 9.84   | 50 x 105        |            |
| <b>315 Vdc (365 Vdc Surge)</b> |                     |                      |        |                             |        |                 |            |
| 82                             | 381LX820M315H012    | 2.426                | 1.238  | .60                         | .90    | 22 x 25         |            |
| 100                            | 381LX101M315H022    | 1.989                | 1.015  | .70                         | 1.00   | 22 x 30         |            |
| 120                            | 381LX121M315H022    | 1.658                | 0.846  | .80                         | 1.10   | 22 x 30         |            |
| 120                            | 381LX121M315J012    | 1.658                | 0.846  | .80                         | 1.10   | 25 x 25         |            |
| 150                            | 381LX151M315H032    | 1.326                | 0.677  | .80                         | 1.10   | 22 x 35         |            |
| 150                            | 381LX151M315J022    | 1.326                | 0.677  | .80                         | 1.10   | 25 x 30         |            |
| 150                            | 381LX151M315K012    | 1.326                | 0.677  | .80                         | 1.10   | 30 x 25         |            |
| 180                            | 381LX181M315H042    | 1.105                | 0.564  | .90                         | 1.30   | 22 x 40         |            |
| 180                            | 381LX181M315J022    | 1.105                | 0.564  | .90                         | 1.30   | 25 x 30         |            |
| 180                            | 381LX181M315J032    | 1.105                | 0.564  | .90                         | 1.30   | 25 x 35         |            |
| <b>350 Vdc (400 Vdc Surge)</b> |                     |                      |        |                             |        |                 |            |
| 82                             | 381LX820M350H012    | 2.426                | 1.238  | .60                         | .90    | 22 x 25         |            |
| 100                            | 381LX101M350H022    | 1.989                | 1.015  | .70                         | 1.00   | 22 x 30         |            |
| 100                            | 381LX101M350J012    | 1.989                | 1.015  | .70                         | 1.00   | 25 x 25         |            |
| 120                            | 381LX121M350H022    | 1.658                | 0.846  | .80                         | 1.10   | 22 x 30         |            |
| 120                            | 381LX121M350J012    | 1.658                | 0.846  | .80                         | 1.10   | 25 x 25         |            |
| 150                            | 381LX151M350H032    | 1.326                | 0.677  | .80                         | 1.10   | 22 x 35         |            |
| 150                            | 381LX151M350J022    | 1.326                | 0.677  | .80                         | 1.10   | 25 x 30         |            |
| 150                            | 381LX151M350K012    | 1.326                | 0.677  | .80                         | 1.10   | 30 x 25         |            |

# Type 381LX / 383LX 105 °C High Ripple, Snap-In Aluminum

High Ripple, Long Life, 2,4 and 5 pin styles available

| Cap.<br>µF                     | Catalog Part Number | Max ESR<br>Ω @ 25 °C |        | Ripple Amps<br>Max @ 105 °C |        | Nominal<br>Size |
|--------------------------------|---------------------|----------------------|--------|-----------------------------|--------|-----------------|
|                                |                     | 120 Hz               | 20 kHz | 120 Hz                      | 20 kHz |                 |
| <b>350 Vdc (400 Vdc Surge)</b> |                     |                      |        |                             |        |                 |
| 180                            | 381LX181M350H042    | 1.105                | 0.564  | .90                         | 1.30   | 22 x 40         |
| 180                            | 381LX181M350J022    | 1.105                | 0.564  | .90                         | 1.30   | 25 x 30         |
| 180                            | 381LX181M350K012    | 1.105                | 0.564  | .90                         | 1.30   | 30 x 25         |
| 220                            | 381LX221M350H452    | 0.904                | 0.461  | 1.00                        | 1.40   | 22 x 45         |
| 220                            | 381LX221M350J032    | 0.904                | 0.461  | 1.00                        | 1.40   | 25 x 35         |
| 220                            | 381LX221M350K022    | 0.904                | 0.461  | 1.00                        | 1.40   | 30 x 30         |
| 270                            | 381LX271M350J452    | 0.737                | 0.376  | 1.10                        | 1.50   | 25 x 45         |
| 270                            | 381LX271M350K022    | 0.737                | 0.376  | 1.10                        | 1.50   | 30 x 30         |
| 270                            | 381LX271M350A012    | 0.737                | 0.376  | 1.10                        | 1.50   | 35 x 25         |
| 330                            | 381LX331M350J052    | 0.603                | 0.308  | 1.20                        | 1.70   | 25 x 50         |
| 330                            | 381LX331M350K042    | 0.603                | 0.308  | 1.20                        | 1.70   | 30 x 40         |
| 330                            | 381LX331M350A022    | 0.603                | 0.308  | 1.20                        | 1.70   | 35 x 30         |
| 390                            | 381LX391M350K452    | 0.510                | 0.260  | 1.30                        | 1.80   | 30 x 45         |
| 390                            | 381LX391M350A022    | 0.510                | 0.260  | 1.30                        | 1.80   | 35 x 30         |
| 470                            | 381LX471M350K052    | 0.423                | 0.216  | 1.40                        | 2.00   | 30 x 50         |
| 470                            | 381LX471M350A042    | 0.423                | 0.216  | 1.40                        | 2.00   | 35 x 40         |
| 560                            | 381LX561M350A452    | 0.355                | 0.181  | 1.50                        | 2.10   | 35 x 45         |
| 560                            | 383L561M350N042     | 0.299                | 0.205  | 1.30                        | 1.50   | 40 x 40         |
| 680                            | 381LX681M350A052    | 0.293                | 0.149  | 1.70                        | 2.40   | 35 x 50         |
| 680                            | 383LX681M350N042    | 0.317                | 0.127  | 2.30                        | 3.22   | 40 x 40         |
| 820                            | 381LX821M350A062    | 0.303                | 0.155  | 2.70                        | 3.70   | 35 x 63         |
| 820                            | 383LX821M350N052    | 0.303                | 0.155  | 2.70                        | 3.70   | 40 x 50         |
| 1000                           | 381L102M350A072     | 0.173                | 0.117  | 1.90                        | 2.30   | 35 x 70         |
| 1000                           | 383L102M350N062     | 0.170                | 0.117  | 2.00                        | 2.40   | 40 x 63         |
| 1000                           | 383LX102M350B052V   | 0.216                | 0.066  | 3.56                        | 4.96   | 50 x 50         |
| 1200                           | 381LX122M350A082    | 0.207                | 0.106  | 3.20                        | 4.50   | 35 x 80         |
| 1200                           | 383LX122M350N062    | 0.207                | 0.106  | 3.20                        | 4.50   | 40 x 63         |
| 1500                           | 381LX152M350A102    | 0.144                | 0.057  | 4.78                        | 6.69   | 35 x 105        |
| 1500                           | 383LX152M350N082    | 0.166                | 0.085  | 3.80                        | 5.25   | 40 x 80         |
| 1500                           | 383LX152M350B062V   | 0.144                | 0.057  | 4.16                        | 5.82   | 50 x 63         |
| 1800                           | 383LX182M350N102    | 0.120                | 0.048  | 5.23                        | 7.32   | 40 x 105        |
| 1800                           | 383LX182M350B082V   | 0.120                | 0.048  | 5.69                        | 7.97   | 50 x 80         |
| 2000                           | 383LX202M350B092V   | 0.108                | 0.043  | 6.34                        | 8.88   | 50 x 92         |
| 2200                           | 383LX222M350B102V   | 0.098                | 0.039  | 6.60                        | 9.30   | 50 x 105        |
| <b>400 Vdc (450 Vdc Surge)</b> |                     |                      |        |                             |        |                 |
| 33                             | 381LX330M400H202    | 5.024                | 1.760  | .20                         | .30    | 22 x 20         |
| 33                             | 381LX330M400H012    | 4.500                | 1.600  | .30                         | .42    | 22 x 25         |
| 47                             | 381LX470M400H012    | 2.800                | 1.000  | .43                         | .60    | 22 x 25         |
| 47                             | 381LX470M400J202    | 3.530                | 1.240  | .30                         | .40    | 25 x 20         |
| 56                             | 381LX560M400H012    | 2.360                | 0.830  | .50                         | .70    | 22 x 25         |
| 68                             | 381LX680M400H022    | 1.950                | 0.683  | .60                         | .80    | 22 x 30         |
| 68                             | 381LX680M400J012    | 1.950                | 0.683  | .60                         | .80    | 25 x 25         |
| 68                             | 381LX680M400K202    | 2.440                | 0.853  | .40                         | .50    | 30 x 20         |
| 82                             | 381LX820M400H022    | 2.022                | 0.710  | .60                         | .90    | 22 x 30         |

| Cap.<br>µF                     | Catalog Part Number | Max ESR<br>Ω @ 25 °C |        | Ripple Amps<br>Max @ 105 °C |        | Nominal<br>Size |
|--------------------------------|---------------------|----------------------|--------|-----------------------------|--------|-----------------|
|                                |                     | 120 Hz               | 20 kHz | 120 Hz                      | 20 kHz |                 |
| 82                             | 381LX820M400J012    | 2.022                | 0.710  | .60                         | .90    | 25 x 25         |
| 100                            | 381LX101M400H022    | 1.658                | 0.580  | .70                         | 1.00   | 22 x 30         |
| 100                            | 381LX101M400J012    | 1.658                | 0.580  | .70                         | 1.00   | 25 x 25         |
| 100                            | 381LX101M400A202    | 1.658                | 0.580  | .50                         | .70    | 35 x 20         |
| 120                            | 381LX121M400H032    | 1.380                | 0.484  | .80                         | 1.10   | 22 x 35         |
| 120                            | 381LX121M400J022    | 1.380                | 0.484  | .80                         | 1.10   | 25 x 30         |
| 120                            | 381LX121M400K012    | 1.110                | 0.387  | .80                         | 1.10   | 30 x 25         |
| 150                            | 381LX151M400H042    | 1.110                | 0.387  | .80                         | 1.10   | 22 x 40         |
| 150                            | 381LX151M400J022    | 1.110                | 0.387  | .80                         | 1.10   | 25 x 30         |
| 150                            | 381LX151M400K012    | 1.110                | 0.387  | .80                         | 1.10   | 30 x 25         |
| 180                            | 381LX181M400H452    | 0.921                | 0.322  | .90                         | 1.30   | 22 x 45         |
| 180                            | 381LX181M400J032    | 0.921                | 0.322  | .90                         | 1.30   | 25 x 35         |
| 180                            | 381LX181M400K022    | 0.921                | 0.322  | .90                         | 1.30   | 30 x 30         |
| 180                            | 381LX181M400A012    | 0.737                | 0.258  | .90                         | 1.30   | 35 x 25         |
| 220                            | 381LX221M400J452    | 0.754                | 0.264  | 1.10                        | 1.50   | 25 x 45         |
| 220                            | 381LX221M400K022    | 0.754                | 0.264  | 1.10                        | 1.50   | 30 x 30         |
| 220                            | 381LX221M400A012    | 0.754                | 0.264  | 1.10                        | 1.50   | 35 x 25         |
| 270                            | 381LX271M400J052    | 0.614                | 0.215  | 1.20                        | 1.70   | 25 x 50         |
| 270                            | 381LX271M400K032    | 0.614                | 0.215  | 1.20                        | 1.70   | 30 x 35         |
| 270                            | 381LX271M400A022    | 0.614                | 0.215  | 1.20                        | 1.70   | 35 x 30         |
| 330                            | 381LX331M400K452    | 0.502                | 0.201  | 1.40                        | 1.90   | 30 x 45         |
| 330                            | 381LX331M400A032    | 0.502                | 0.201  | 1.40                        | 1.90   | 35 x 35         |
| 390                            | 381LX391M400K052    | 0.425                | 0.170  | 1.55                        | 2.20   | 30 x 50         |
| 390                            | 381LX391M400A042    | 0.425                | 0.170  | 1.55                        | 2.20   | 35 x 40         |
| 470                            | 381LX471M400A452    | 0.353                | 0.141  | 1.80                        | 2.50   | 35 x 45         |
| 470                            | 383LX471M400N042    | 0.353                | 0.141  | 1.80                        | 2.50   | 40 x 40         |
| 560                            | 381LX561M400A052    | 0.296                | 0.118  | 1.80                        | 2.50   | 35 x 50         |
| 680                            | 383LX681M400N052    | 0.244                | 0.098  | 2.20                        | 3.00   | 40 x 50         |
| 820                            | 381LX821M400A062    | 0.202                | 0.081  | 2.44                        | 3.42   | 35 x 63         |
| 820                            | 383LX821M400B052V   | 0.202                | 0.081  | 3.20                        | 4.40   | 50 x 50         |
| 1000                           | 381LX102M400A082    | 0.202                | 0.081  | 3.00                        | 4.20   | 35 x 80         |
| 1000                           | 383LX102M400N062    | 0.202                | 0.081  | 3.00                        | 4.20   | 40 x 63         |
| 1200                           | 381LX122M400A102    | 0.138                | 0.055  | 3.80                        | 5.30   | 35 x 105        |
| 1200                           | 383LX122M400N082    | 0.138                | 0.055  | 3.80                        | 5.30   | 40 x 80         |
| 1200                           | 383LX122M400B062V   | 0.152                | 0.061  | 4.20                        | 5.90   | 50 x 63         |
| 1500                           | 383LX152M400N102    | 0.111                | 0.044  | 4.80                        | 6.70   | 40 x 105        |
| 1500                           | 383LX152M400B082V   | 0.122                | 0.049  | 5.20                        | 7.30   | 50 x 80         |
| 1600                           | 383LX162M400B092V   | 0.114                | 0.046  | 5.60                        | 8.00   | 50 x 92         |
| 1800                           | 383LX182M400B102V   | 0.101                | 0.041  | 6.48                        | 9.10   | 50 x 105        |
| <b>420 Vdc (470 Vdc Surge)</b> |                     |                      |        |                             |        |                 |
| 100                            | 381LX101M420H022    | 1.820                | 0.820  | .65                         | .90    | 22 x 30         |
| 100                            | 381LX101M420J012    | 1.820                | 0.820  | .65                         | .90    | 25 x 25         |
| 120                            | 381LX121M420H032    | 1.500                | 0.680  | .70                         | 1.00   | 22 x 35         |
| 120                            | 381LX121M420J022    | 1.500                | 0.680  | .70                         | 1.00   | 25 x 30         |
| 150                            | 381LX151M420H042    | 1.220                | 0.550  | .80                         | 1.10   | 22 x 40         |

# Type 381LX / 383LX 105 °C High Ripple, Snap-In Aluminum

High Ripple, Long Life, 2,4 and 5 pin styles available

| Cap.<br>μF                     | Catalog Part Number | Max ESR<br>Ω @ 25 °C |        | Ripple Amps<br>Max @ 105 °C |        | Nominal<br>Size<br>D x L (mm) |
|--------------------------------|---------------------|----------------------|--------|-----------------------------|--------|-------------------------------|
|                                |                     | 120 Hz               | 20 kHz | 120 Hz                      | 20 kHz |                               |
| <b>420 Vdc (470 Vdc Surge)</b> |                     |                      |        |                             |        |                               |
| 150                            | 381LX151M420J022    | 1.220                | 0.550  | .80                         | 1.10   | 25 x 30                       |
| 150                            | 381LX151M420K012    | 1.220                | 0.550  | .80                         | 1.10   | 30 x 25                       |
| 180                            | 381LX181M420H452    | 1.000                | 0.450  | .88                         | 1.20   | 22 x 45                       |
| 180                            | 381LX181M420J042    | 1.000                | 0.450  | .88                         | 1.20   | 25 x 40                       |
| 180                            | 381LX181M420K022    | 1.000                | 0.450  | .88                         | 1.20   | 30 x 30                       |
| 220                            | 381LX221M420J452    | 0.750                | 0.260  | 1.10                        | 1.50   | 25 x 45                       |
| 220                            | 381LX221M420K022    | 0.750                | 0.260  | 1.10                        | 1.50   | 30 x 30                       |
| 220                            | 381LX221M420A012    | 0.750                | 0.260  | 1.10                        | 1.50   | 35 x 25                       |
| 270                            | 381LX271M420J052    | 0.610                | 0.210  | 1.20                        | 1.70   | 25 x 50                       |
| 270                            | 381LX271M420K032    | 0.610                | 0.210  | 1.20                        | 1.70   | 30 x 35                       |
| 270                            | 381LX271M420A022    | 0.610                | 0.210  | 1.20                        | 1.70   | 35 x 30                       |
| 330                            | 381LX331M420K452    | 0.500                | 0.200  | 1.35                        | 1.90   | 30 x 45                       |
| 330                            | 381LX331M420A032    | 0.502                | 0.200  | 1.35                        | 1.90   | 35 x 35                       |
| 390                            | 381LX391M420K052    | 0.420                | 0.170  | 1.55                        | 2.18   | 30 x 50                       |
| 390                            | 381LX391M420A042    | 0.420                | 0.170  | 1.55                        | 2.18   | 35 x 40                       |
| 470                            | 381LX471M420A452    | 0.350                | 0.141  | 1.75                        | 2.45   | 35 x 45                       |
| 470                            | 383LX471M420N042    | 0.350                | 0.141  | 1.78                        | 2.45   | 40 x 40                       |
| 560                            | 381LX561M420A052    | 0.300                | 0.120  | 1.80                        | 2.50   | 35 x 50                       |
| 680                            | 383LX681M420N052    | 0.250                | 0.100  | 2.10                        | 2.95   | 40 x 50                       |
| <b>450 Vdc (500 Vdc Surge)</b> |                     |                      |        |                             |        |                               |
| 56                             | 381LX560M450H012    | 2.366                | 0.947  | .40                         | .56    | 22 x 25                       |
| 68                             | 381LX680M450H022    | 1.950                | 0.780  | .50                         | .70    | 22 x 30                       |
| 68                             | 381LX680M450J012    | 1.950                | 0.780  | .50                         | .70    | 25 x 25                       |
| 82                             | 381LX820M450H022    | 3.235                | 1.651  | .60                         | .80    | 22 x 30                       |
| 82                             | 381LX820M450J012    | 2.022                | 0.708  | .56                         | .78    | 25 x 25                       |
| 100                            | 381LX101M450H032    | 1.660                | 0.580  | .65                         | .90    | 22 x 35                       |
| 100                            | 381LX101M450J022    | 1.660                | 0.580  | .65                         | .90    | 25 x 30                       |
| 100                            | 381LX101M450K012    | 1.660                | 0.580  | .65                         | .90    | 30 x 25                       |
| 120                            | 381LX121M450H042    | 1.382                | 0.484  | .70                         | 1.00   | 22 x 40                       |
| 120                            | 381LX121M450J032    | 1.382                | 0.484  | .70                         | 1.00   | 25 x 35                       |

| Cap.<br>μF | Catalog Part Number | Max ESR<br>Ω @ 25 °C |        | Ripple Amps<br>Max @ 105 °C |        | Nominal<br>Size<br>D x L (mm) |
|------------|---------------------|----------------------|--------|-----------------------------|--------|-------------------------------|
|            |                     | 120 Hz               | 20 kHz | 120 Hz                      | 20 kHz |                               |
| 120        | 381LX121M450K012    | 1.382                | 0.484  | .70                         | 1.00   | 30 x 25                       |
| 150        | 381LX151M450H052    | 1.100                | 0.390  | .80                         | 1.10   | 22 x 50                       |
| 150        | 381LX151M450J042    | 1.100                | 0.390  | .80                         | 1.10   | 25 x 40                       |
| 150        | 381LX151M450K022    | 1.100                | 0.390  | .80                         | 1.10   | 30 x 30                       |
| 150        | 381LX151M450A012    | 1.100                | 0.390  | .80                         | 1.10   | 35 x 25                       |
| 180        | 381LX181M450J452    | 0.920                | 0.320  | .90                         | 1.20   | 25 x 45                       |
| 180        | 381LX181M450K032    | 0.920                | 0.320  | .90                         | 1.20   | 30 x 35                       |
| 220        | 381LX221M450J052    | 0.750                | 0.260  | 1.00                        | 1.40   | 25 x 50                       |
| 220        | 381LX221M450K042    | 0.750                | 0.260  | 1.00                        | 1.40   | 30 x 40                       |
| 220        | 381LX221M450A022    | 0.750                | 0.260  | 1.00                        | 1.40   | 35 x 30                       |
| 270        | 381LX271M450K452    | 0.614                | 0.246  | 1.20                        | 1.70   | 30 x 45                       |
| 270        | 381LX271M450A032    | 0.614                | 0.246  | 1.20                        | 1.70   | 35 x 35                       |
| 330        | 381LX331M450K052    | 0.502                | 0.201  | 1.40                        | 1.90   | 30 x 50                       |
| 330        | 381LX331M450A042    | 0.502                | 0.176  | 1.40                        | 1.90   | 35 x 40                       |
| 390        | 381LX391M450A452    | 0.425                | 0.150  | 1.60                        | 2.20   | 35 x 45                       |
| 390        | 383LX391M450N042    | 0.425                | 0.170  | 1.68                        | 2.35   | 40 x 40                       |
| 470        | 381LX471M450A052    | 0.353                | 0.123  | 1.70                        | 2.40   | 35 x 50                       |
| 470        | 383LX471M450N042    | 0.350                | 0.140  | 1.75                        | 2.45   | 40 x 40                       |
| 560        | 381LX561M450A062    | 0.296                | 0.104  | 2.20                        | 3.00   | 35 x 70                       |
| 560        | 383LX561M450N052    | 0.296                | 0.104  | 2.20                        | 3.00   | 40 x 50                       |
| 680        | 383L681M450A082     | 0.188                | 0.124  | 2.00                        | 2.50   | 35 x 80                       |
| 680        | 383LX681M450N062    | 0.244                | 0.085  | 2.50                        | 3.50   | 40 x 63                       |
| 680        | 383LX681M450B052V   | 0.244                | 0.085  | 2.90                        | 4.06   | 50 x 50                       |
| 820        | 383LX821M450A082    | 0.202                | 0.071  | 2.70                        | 3.80   | 35 x 80                       |
| 820        | 383LX821M450B062V   | 0.222                | 0.078  | 3.42                        | 4.79   | 50 x 63                       |
| 1000       | 381LX102M450A102    | 0.166                | 0.058  | 3.47                        | 4.86   | 35 x 105                      |
| 1000       | 383LX102M450N082    | 0.166                | 0.058  | 3.50                        | 4.90   | 40 x 80                       |
| 1200       | 383LX122M450N102    | 0.138                | 0.048  | 4.33                        | 6.06   | 40 x 105                      |
| 1200       | 383LX122M450B082V   | 0.152                | 0.053  | 4.70                        | 6.58   | 50 x 80                       |
| 1300       | 383LX132M450B092V   | 0.140                | 0.049  | 5.16                        | 7.25   | 50 x 92                       |
| 1500       | 383LX152M450B102V   | 0.122                | 0.043  | 6.03                        | 8.44   | 50 x 105                      |

Компания «Океан Электроники» предлагает заключение долгосрочных отношений при поставках импортных электронных компонентов на взаимовыгодных условиях!

Наши преимущества:

- Поставка оригинальных импортных электронных компонентов напрямую с производств Америки, Европы и Азии, а так же с крупнейших складов мира;
- Широкая линейка поставок активных и пассивных импортных электронных компонентов (более 30 млн. наименований);
- Поставка сложных, дефицитных, либо снятых с производства позиций;
- Оперативные сроки поставки под заказ (от 5 рабочих дней);
- Экспресс доставка в любую точку России;
- Помощь Конструкторского Отдела и консультации квалифицированных инженеров;
- Техническая поддержка проекта, помощь в подборе аналогов, поставка прототипов;
- Поставка электронных компонентов под контролем ВП;
- Система менеджмента качества сертифицирована по Международному стандарту ISO 9001;
- При необходимости вся продукция военного и аэрокосмического назначения проходит испытания и сертификацию в лаборатории (по согласованию с заказчиком);
- Поставка специализированных компонентов военного и аэрокосмического уровня качества (Xilinx, Altera, Analog Devices, Intersil, Interpoint, Microsemi, Actel, Aeroflex, Peregrine, VPT, Syfer, Eurofarad, Texas Instruments, MS Kennedy, Miteq, Cobham, E2V, MA-COM, Hittite, Mini-Circuits, General Dynamics и др.);

Компания «Океан Электроники» является официальным дистрибьютором и эксклюзивным представителем в России одного из крупнейших производителей разъемов военного и аэрокосмического назначения «JONHON», а так же официальным дистрибьютором и эксклюзивным представителем в России производителя высокотехнологичных и надежных решений для передачи СВЧ сигналов «FORSTAR».



## JONHON

«JONHON» (основан в 1970 г.)

Разъемы специального, военного и аэрокосмического назначения:

(Применяются в военной, авиационной, аэрокосмической, морской, железнодорожной, горно- и нефтедобывающей отраслях промышленности)

«FORSTAR» (основан в 1998 г.)

ВЧ соединители, коаксиальные кабели, кабельные сборки и микроволновые компоненты:

(Применяются в телекоммуникациях гражданского и специального назначения, в средствах связи, РЛС, а так же военной, авиационной и аэрокосмической отраслях промышленности).



Телефон: 8 (812) 309-75-97 (многоканальный)

Факс: 8 (812) 320-03-32

Электронная почта: [ocean@oceanchips.ru](mailto:ocean@oceanchips.ru)

Web: <http://oceanchips.ru/>

Адрес: 198099, г. Санкт-Петербург, ул. Калинина, д. 2, корп. 4, лит. А