

Type 381LX / 383LX 105 °C High Ripple, Snap-In Aluminum

High Ripple, Long Life, 2, 4 and 5 pin styles available



Adding longer-life and more ripple capability to the excellent value of Type 380L/LX capacitors, the 381L/LX readily handles tough switching power supply input and output circuits and motor-drive bus capacitor applications where the high surface area of multiple units in parallel equals the ripple capability of our Type 520C inverter-grade capacitor. Type 381LX delivers more capacitance per can size while Type 381L gives lower ESR for the same capacitance rating. Type 383L/LX has 4 or 5 leads for stable, reverse-proof mounting.

Highlights

- Top performance in power supplies and motor drives
- 4 times the life of Type 380L/LX
- 2, 4 and 5 leads available
- Big selection of 42 case sizes

Specifications

| Temperature Range | -40 °C to + 105 °C ≤ 315 Vdc -25 °C to + 105 °C ≥ 350 Vdc | | | | | | | | | | | | | | | | | | | | | | | | | | | | | | | | | | | | | | | | | | | | |
|---------------------------------|--|-------|--------|--------|--------|------------|--|-------|-------|-------|-------|--------|----------------------------|------|------|------|------|------|--------------------------------|------|------|------|------|------|--|-------|-------|--------|--------|-------|------------|-------------------|------|------|------|------|------|------|--------------------|------|------|------|------|------|------|
| Rated Voltage Range | 10 Vdc to 450 Vdc | | | | | | | | | | | | | | | | | | | | | | | | | | | | | | | | | | | | | | | | | | | | |
| Capacitance Range | 33 µF to 150,000 µF | | | | | | | | | | | | | | | | | | | | | | | | | | | | | | | | | | | | | | | | | | | | |
| Capacitance Tolerance | ± 20% | | | | | | | | | | | | | | | | | | | | | | | | | | | | | | | | | | | | | | | | | | | | |
| Leakage Current | ≤ 3 \sqrt{CV} µA, 4 mA max, 5 minutes | | | | | | | | | | | | | | | | | | | | | | | | | | | | | | | | | | | | | | | | | | | | |
| Ripple Current Multipliers | Ambient Temperature <table border="1"> <thead> <tr> <th></th> <th>45 °C</th> <th>60 °C</th> <th>70 °C</th> <th>85 °C</th> <th>105 °C</th> </tr> </thead> <tbody> <tr> <td>381L 383L</td> <td>2.70</td> <td>2.60</td> <td>2.50</td> <td>2.10</td> <td>1.00</td> </tr> <tr> <td>381LX, 383 LX</td> <td>2.35</td> <td>2.20</td> <td>2.00</td> <td>1.70</td> <td>1.00</td> </tr> </tbody> </table> Frequency <table border="1"> <thead> <tr> <th></th> <th>50 Hz</th> <th>60 Hz</th> <th>120 Hz</th> <th>500 Hz</th> <th>1 kHz</th> <th>5 kHz & up</th> </tr> </thead> <tbody> <tr> <td>10-100 Vdc</td> <td>0.93</td> <td>0.95</td> <td>1.00</td> <td>1.05</td> <td>1.08</td> <td>1.15</td> </tr> <tr> <td>160-450 Vdc</td> <td>0.75</td> <td>0.80</td> <td>1.00</td> <td>1.20</td> <td>1.25</td> <td>1.40</td> </tr> </tbody> </table> | | | | | | | 45 °C | 60 °C | 70 °C | 85 °C | 105 °C | 381L 383L | 2.70 | 2.60 | 2.50 | 2.10 | 1.00 | 381LX, 383 LX | 2.35 | 2.20 | 2.00 | 1.70 | 1.00 | | 50 Hz | 60 Hz | 120 Hz | 500 Hz | 1 kHz | 5 kHz & up | 10-100 Vdc | 0.93 | 0.95 | 1.00 | 1.05 | 1.08 | 1.15 | 160-450 Vdc | 0.75 | 0.80 | 1.00 | 1.20 | 1.25 | 1.40 |
| | 45 °C | 60 °C | 70 °C | 85 °C | 105 °C | | | | | | | | | | | | | | | | | | | | | | | | | | | | | | | | | | | | | | | | |
| 381L 383L | 2.70 | 2.60 | 2.50 | 2.10 | 1.00 | | | | | | | | | | | | | | | | | | | | | | | | | | | | | | | | | | | | | | | | |
| 381LX, 383 LX | 2.35 | 2.20 | 2.00 | 1.70 | 1.00 | | | | | | | | | | | | | | | | | | | | | | | | | | | | | | | | | | | | | | | | |
| | 50 Hz | 60 Hz | 120 Hz | 500 Hz | 1 kHz | 5 kHz & up | | | | | | | | | | | | | | | | | | | | | | | | | | | | | | | | | | | | | | | |
| 10-100 Vdc | 0.93 | 0.95 | 1.00 | 1.05 | 1.08 | 1.15 | | | | | | | | | | | | | | | | | | | | | | | | | | | | | | | | | | | | | | | |
| 160-450 Vdc | 0.75 | 0.80 | 1.00 | 1.20 | 1.25 | 1.40 | | | | | | | | | | | | | | | | | | | | | | | | | | | | | | | | | | | | | | | |
| Low Temperature Characteristics | Impedance ratio: $Z_{-20^{\circ}\text{C}}/Z_{+25^{\circ}\text{C}}$ ≤ 10 (10 Vdc) ≤ 8 (16–50 Vdc) ≤ 4 (63–100 Vdc) ≤ 3 (150–450 Vdc) | | | | | | | | | | | | | | | | | | | | | | | | | | | | | | | | | | | | | | | | | | | | |
| Endurance Life Test | 3000 h at full load at 105 °C Δ Capacitance ±20% ESR 200% of limit DCL 100% of limit | | | | | | | | | | | | | | | | | | | | | | | | | | | | | | | | | | | | | | | | | | | | |
| Shelf Life Test | 1000 h at 105 °C Δ Capacitance ±20% ESR 200% of limit DCL 100% of limit | | | | | | | | | | | | | | | | | | | | | | | | | | | | | | | | | | | | | | | | | | | | |
| Vibration | 10 to 55 Hz, 0.06" and 10 g max, 2 h each plane | | | | | | | | | | | | | | | | | | | | | | | | | | | | | | | | | | | | | | | | | | | | |
| RoHS Compliant | | | | | | | | | | | | | | | | | | | | | | | | | | | | | | | | | | | | | | | | | | | | | |

Type 381LX / 383LX 105 °C High Ripple, Snap-In Aluminum

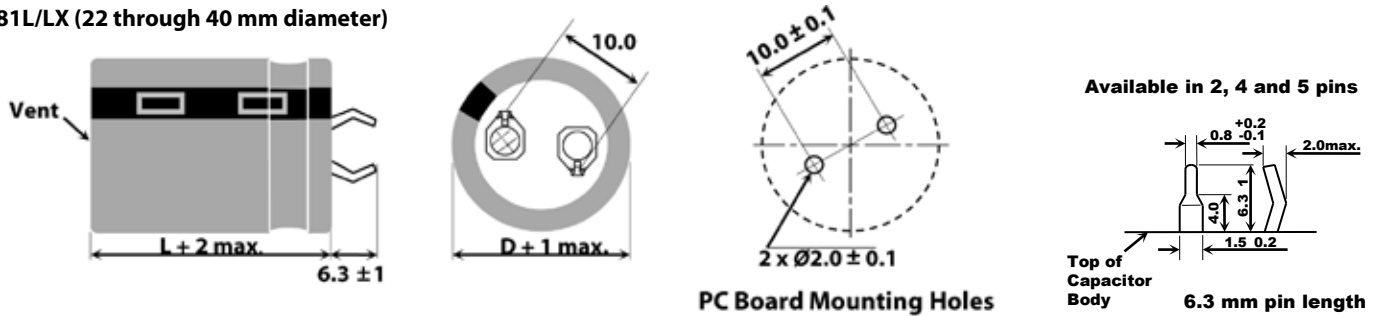
High Ripple, Long Life, 2,4 and 5 pin styles available

| | | | | | | | |
|-------------------------|---------------|-----------|---------------|------------|------------|---|--|
| 383LX | 272 | M | 200 | N08 | 2 | V | +D |
| Type | Cap | Tolerance | Voltage | Case Code | Insulation | # of pins | Blank = no end disk if <250 V D = end disk, any voltage |
| 381L / LX (2 pins) | 100 = 10 µF | M = ±20% | 200 = 200 Vdc | | 2 = PVC | Blank = 2 pins / 4 pins snap-in 6.3mm L | |
| 383L / LX (4 or 5 pins) | 101 = 100 µF | | | | | A = 2 pins / 4 pins snap-in 4.0mm L | |
| | 272 = 2700 µF | | | | | VS = 5 pins snap-in 6.3mm L | |
| | | | | | | V = 5 pins standoff | |

Outline Drawings

Two Pins

381L/LX (22 through 40 mm diameter)



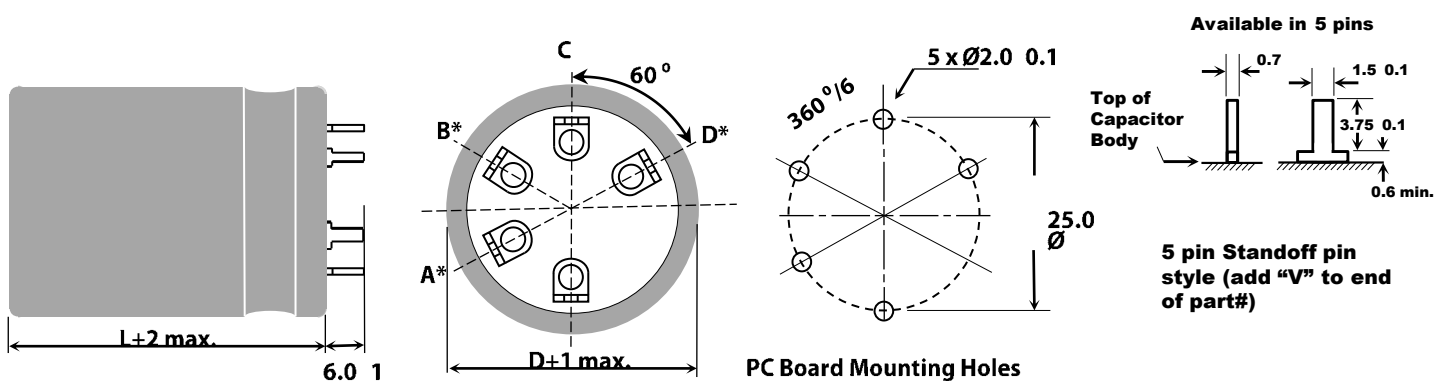
Four Pins

383L/LX (35 and 40 mm diameter)



Five Pins

383L/LX (40 and 50 mm diameter)



Note that for 200 volts and under the insulating end disc is optional - If one is needed add a (+D) to the end of the part numbering system.

| Terminal | Connection | |
|----------|--------------|--------------|
| | 40 mm Dia. | 50 mm Dia. |
| A | dummy | negative (-) |
| B | dummy | dummy |
| C | positive (+) | positive (+) |
| D | dummy | positive (+) |
| - | negative (-) | negative (-) |

Notes:

* Use dummy terminals for mechanical support only. Make no electrical connection because they resistively connect through the electrolyte to the negative terminal.

** Safety Vent may be on the bottom or on the side of the can.

Type 381LX / 383LX 105 °C High Ripple, Snap-In Aluminum

High Ripple, Long Life, 2,4 and 5 pin styles available

| Case Code | DIAMETER "D" | | LENGTH "L" | | Typical Weight (grams) |
|-----------|--------------|--------|------------|--------|------------------------|
| | mm | inches | mm | inches | |
| H20 | 22 | 0.87 | 20 | 0.79 | 14 |
| H01 | 22 | 0.87 | 25 | 0.98 | 16 |
| H02 | 22 | 0.87 | 30 | 1.18 | 19 |
| H03 | 22 | 0.87 | 35 | 1.38 | 22 |
| H04 | 22 | 0.87 | 40 | 1.57 | 24 |
| H45 | 22 | 0.87 | 45 | 1.77 | 28 |
| H05 | 22 | 0.87 | 50 | 1.97 | 31 |
| J20 | 25 | 0.98 | 20 | 0.79 | 16 |
| J01 | 25 | 0.98 | 25 | 0.98 | 20 |
| J02 | 25 | 0.98 | 30 | 1.18 | 24 |
| J03 | 25 | 0.98 | 35 | 1.38 | 27 |
| J04 | 25 | 0.98 | 40 | 1.57 | 31 |
| J045 | 25 | 0.98 | 45 | 1.77 | 35 |
| J05 | 25 | 0.98 | 50 | 1.97 | 38 |
| K20 | 30 | 1.18 | 20 | 0.79 | 25 |
| K01 | 30 | 1.18 | 25 | 0.98 | 30 |
| K02 | 30 | 1.18 | 30 | 1.18 | 35 |
| K03 | 30 | 1.18 | 35 | 1.38 | 40 |
| K04 | 30 | 1.18 | 40 | 1.57 | 44 |
| K45 | 30 | 1.18 | 45 | 1.77 | 48 |
| K05 | 30 | 1.18 | 50 | 1.97 | 53 |

| Case Code | DIAMETER "D" | | LENGTH "L" | | Typical Weight (grams) |
|-----------|--------------|--------|------------|--------|------------------------|
| | mm | inches | mm | inches | |
| A20 | 35 | 1.38 | 20 | 0.79 | 35 |
| A01 | 35 | 1.38 | 25 | 0.98 | 42 |
| A02 | 35 | 1.38 | 30 | 1.18 | 48 |
| A03 | 35 | 1.38 | 35 | 1.38 | 54 |
| A04 | 35 | 1.38 | 40 | 1.57 | 62 |
| A45 | 35 | 1.38 | 45 | 1.77 | 67 |
| A05 | 35 | 1.38 | 50 | 1.97 | 74 |
| A55 | 35 | 1.38 | 55 | 2.17 | 80 |
| A06 | 35 | 1.38 | 63 | 2.48 | 88 |
| A07 | 35 | 1.38 | 70 | 2.76 | 98 |
| A08 | 35 | 1.38 | 80 | 3.15 | 112 |
| A10 | 35 | 1.38 | 105 | 4.13 | 144 |
| N04 | 40 | 1.57 | 40 | 1.57 | 82 |
| N05 | 40 | 1.57 | 50 | 1.97 | 105 |
| N06 | 40 | 1.57 | 63 | 2.48 | 130 |
| N08 | 40 | 1.57 | 80 | 3.15 | 185 |
| N10 | 40 | 1.57 | 105 | 4.13 | 265 |
| B05 | 50 | 1.97 | 50 | 1.97 | 136 |
| B06 | 50 | 1.97 | 63 | 2.48 | 168 |
| B08 | 50 | 1.97 | 80 | 3.15 | 239 |
| B09 | 50 | 1.97 | 92 | 3.62 | 241 |
| B10 | 50 | 1.97 | 105 | 4.13 | 325 |

Typical Performance Curves



Type 381LX / 383LX 105 °C High Ripple, Snap-In Aluminum

High Ripple, Long Life, 2,4 and 5 pin styles available

Ratings

| Cap. µF | Catalog Part Number | Max ESR Ω @ 25 °C | | Ripple Amps Max @ 105 °C | | Nominal Size |
|------------------------------|---------------------|----------------------|--------|-----------------------------|--------|-----------------|
| | | 120 Hz | 20 kHz | 120 Hz | 20 kHz | |
| 10 Vdc (13 Vdc Surge) | | | | | | |
| 4700 | 381LX472M010H012 | 0.159 | 0.135 | .85 | .98 | 22 x 25 |
| 6800 | 381LX682M010H012 | 0.111 | 0.093 | 1.30 | 1.50 | 22 x 25 |
| 10000 | 381LX103M010H012 | 0.075 | 0.063 | 1.80 | 2.10 | 22 x 25 |
| 12000 | 381LX123M010H022 | 0.061 | 0.053 | 2.20 | 2.50 | 22 x 30 |
| 15000 | 381LX153M010H032 | 0.055 | 0.045 | 2.30 | 2.60 | 22 x 35 |
| 15000 | 381LX153M010J012 | 0.055 | 0.045 | 2.30 | 2.60 | 25 x 25 |
| 18000 | 381LX183M010H042 | 0.044 | 0.038 | 2.40 | 2.80 | 22 x 40 |
| 18000 | 381LX183M010J022 | 0.044 | 0.038 | 2.40 | 2.80 | 25 x 30 |
| 22000 | 381LX223M010H452 | 0.040 | 0.032 | 2.60 | 3.00 | 22 x 45 |
| 22000 | 381LX223M010J032 | 0.040 | 0.032 | 2.60 | 3.00 | 25 x 35 |
| 22000 | 381LX223M010K012 | 0.040 | 0.032 | 2.60 | 3.00 | 30 x 25 |
| 27000 | 381LX273M010H052 | 0.033 | 0.028 | 3.10 | 3.60 | 22 x 50 |
| 27000 | 381LX273M010J042 | 0.033 | 0.028 | 3.10 | 3.60 | 25 x 40 |
| 27000 | 381LX273M010K022 | 0.033 | 0.028 | 3.10 | 3.60 | 30 x 30 |
| 27000 | 381LX273M010A012 | 0.033 | 0.028 | 3.10 | 3.60 | 35 x 25 |
| 33000 | 381LX333M010J452 | 0.030 | 0.023 | 3.40 | 3.90 | 25 x 45 |
| 33000 | 381LX333M010K032 | 0.030 | 0.023 | 3.40 | 3.90 | 30 x 35 |
| 33000 | 381LX333M010A022 | 0.030 | 0.023 | 3.40 | 3.90 | 35 x 30 |
| 39000 | 381LX393M010J052 | 0.025 | 0.020 | 3.70 | 4.30 | 25 x 50 |
| 39000 | 381LX393M010K042 | 0.025 | 0.020 | 3.70 | 4.30 | 30 x 40 |
| 39000 | 381LX393M010A022 | 0.025 | 0.020 | 3.70 | 4.30 | 35 x 30 |
| 47000 | 381LX473M010K452 | 0.023 | 0.020 | 4.20 | 4.80 | 30 x 45 |
| 47000 | 381LX473M010A032 | 0.023 | 0.020 | 4.20 | 4.80 | 35 x 35 |
| 56000 | 381LX563M010K052 | 0.022 | 0.019 | 5.00 | 5.80 | 30 x 50 |
| 56000 | 381LX563M010A042 | 0.022 | 0.019 | 5.00 | 5.80 | 35 x 40 |
| 68000 | 381LX683M010A052 | 0.021 | 0.020 | 5.50 | 6.30 | 35 x 50 |
| 68000 | 383LX683M010N042 | 0.023 | 0.022 | 5.40 | 6.20 | 40 x 40 |
| 82000 | 381L823M010A062 | 0.013 | 0.008 | 6.30 | 7.90 | 35 x 63 |
| 82000 | 383LX823M010N052 | 0.018 | 0.017 | 7.40 | 8.50 | 40 x 50 |
| 100000 | 381L104M010A072 | 0.011 | 0.007 | 7.30 | 9.00 | 35 x 70 |
| 120000 | 381L124M010A082 | 0.010 | 0.006 | 8.20 | 10.00 | 35 x 80 |
| 120000 | 383L124M010N062 | 0.012 | 0.008 | 7.10 | 8.60 | 40 x 63 |
| 150000 | 383L154M010N082 | 0.009 | 0.006 | 8.90 | 10.60 | 40 x 80 |
| 16 Vdc (20 Vdc Surge) | | | | | | |
| 3300 | 381LX332M016H202 | 0.216 | 0.170 | 1.30 | 1.50 | 22 x 20 |
| 3300 | 381LX332M016H012 | 0.176 | 0.141 | 1.30 | 1.50 | 22 x 25 |
| 4700 | 381LX472M016H012 | 0.123 | 0.099 | 1.52 | 1.75 | 22 x 25 |
| 4700 | 381LX472M016J202 | 0.150 | 0.120 | 1.60 | 1.80 | 25 x 20 |
| 6800 | 381LX682M016H012 | 0.088 | 0.067 | 2.20 | 2.50 | 22 x 25 |
| 6800 | 381LX682M016K202 | 0.105 | 0.080 | 1.80 | 2.10 | 30 x 20 |
| 8200 | 381LX822M016H022 | 0.070 | 0.055 | 2.40 | 2.80 | 22 x 30 |
| 10000 | 381LX103M016H022 | 0.120 | 0.086 | 2.60 | 3.00 | 22 x 30 |
| 10000 | 381LX103M016J012 | 0.120 | 0.086 | 2.60 | 3.00 | 25 x 25 |
| 10000 | 381LX103M016A202 | 0.120 | 0.086 | 2.40 | 2.80 | 35 x 20 |

| Cap. µF | Catalog Part Number | Max ESR Ω @ 25 °C | | Ripple Amps Max @ 105 °C | | Nominal Size |
|------------------------------|---------------------|----------------------|--------|-----------------------------|--------|-----------------|
| | | 120 Hz | 20 kHz | 120 Hz | 20 kHz | |
| 12000 | 381LX123M016H032 | 0.055 | 0.044 | 2.90 | 3.30 | 22 x 35 |
| 12000 | 381LX123M016J022 | 0.055 | 0.044 | 2.90 | 3.30 | 25 x 30 |
| 12000 | 381LX123M016K012 | 0.055 | 0.044 | 2.90 | 3.30 | 30 x 25 |
| 15000 | 381LX153M016H042 | 0.080 | 0.064 | 3.20 | 3.70 | 22 x 40 |
| 15000 | 381LX153M016J032 | 0.080 | 0.064 | 3.20 | 3.70 | 25 x 35 |
| 15000 | 381LX153M016K022 | 0.080 | 0.064 | 3.20 | 3.70 | 30 x 30 |
| 18000 | 381LX183M016H452 | 0.040 | 0.034 | 3.50 | 4.00 | 22 x 45 |
| 18000 | 381LX183M016J042 | 0.040 | 0.034 | 3.50 | 4.00 | 25 x 40 |
| 18000 | 381LX183M016K022 | 0.040 | 0.034 | 3.50 | 4.00 | 30 x 30 |
| 18000 | 381LX183M016A012 | 0.040 | 0.034 | 3.50 | 4.00 | 35 x 25 |
| 22000 | 381LX223M016J452 | 0.033 | 0.028 | 3.80 | 4.40 | 25 x 45 |
| 22000 | 381LX223M016K032 | 0.033 | 0.028 | 3.80 | 4.40 | 30 x 35 |
| 22000 | 381LX223M016A022 | 0.033 | 0.028 | 3.80 | 4.40 | 35 x 30 |
| 27000 | 381LX273M016J052 | 0.045 | 0.034 | 4.20 | 4.80 | 25 x 50 |
| 27000 | 381LX273M016K042 | 0.030 | 0.025 | 4.20 | 4.80 | 30 x 40 |
| 27000 | 381LX273M016A022 | 0.030 | 0.025 | 4.20 | 4.80 | 35 x 30 |
| 33000 | 381LX333M016K452 | 0.023 | 0.020 | 4.70 | 5.40 | 30 x 45 |
| 33000 | 381LX333M016A032 | 0.023 | 0.020 | 4.70 | 5.40 | 35 x 35 |
| 39000 | 381LX393M016K052 | 0.022 | 0.020 | 5.10 | 5.90 | 30 x 50 |
| 39000 | 381LX393M016A042 | 0.022 | 0.020 | 5.10 | 5.90 | 35 x 40 |
| 47000 | 381LX473M016A452 | 0.020 | 0.018 | 5.50 | 6.30 | 35 x 45 |
| 47000 | 383LX473M016N042 | 0.020 | 0.018 | 5.50 | 6.33 | 40 x 40 |
| 56000 | 381LX563M016A052 | 0.019 | 0.017 | 6.00 | 6.90 | 35 x 50 |
| 68000 | 381LX683M016A062 | 0.017 | 0.015 | 6.60 | 7.60 | 35 x 63 |
| 68000 | 381L683M016A072 | 0.012 | 0.007 | 7.10 | 9.00 | 35 x 70 |
| 68000 | 383LX683M016N052 | 0.015 | 0.014 | 7.30 | 8.40 | 40 x 50 |
| 82000 | 381L823M016A082 | 0.010 | 0.007 | 8.00 | 10.00 | 35 x 80 |
| 82000 | 383LX823M016N062 | 0.017 | 0.013 | 7.70 | 8.80 | 40 x 63 |
| 100000 | 381LX104M016A082 | 0.015 | 0.013 | 8.00 | 9.20 | 35 x 80 |
| 120000 | 381LX124M016A102 | 0.014 | 0.012 | 8.71 | 10.02 | 35 x 105 |
| 120000 | 383LX124M016N082 | 0.014 | 0.012 | 8.80 | 10.10 | 40 x 80 |
| 120000 | 383LX124M016B052V | 0.015 | 0.014 | 9.02 | 10.37 | 50 x 50 |
| 150000 | 383LX154M016N102 | 0.013 | 0.012 | 9.88 | 11.36 | 40 x 105 |
| 150000 | 383LX154M016B062V | 0.014 | 0.013 | 10.15 | 11.67 | 50 x 63 |
| 180000 | 383LX184M016B082V | 0.013 | 0.012 | 11.02 | 12.67 | 50 x 80 |
| 220000 | 383LX224M016B092V | 0.012 | 0.011 | 11.71 | 13.47 | 50 x 92 |
| 250000 | 383LX254M016B102V | 0.011 | 0.010 | 12.31 | 14.16 | 50 x 105 |
| 25 Vdc (32 Vdc Surge) | | | | | | |
| 2200 | 381LX222M025H202 | 0.240 | 0.180 | 1.30 | 1.50 | 22 x 20 |
| 2200 | 381LX222M025H012 | 0.240 | 0.180 | 1.30 | 1.50 | 22 x 25 |
| 3300 | 381LX332M025H012 | 0.160 | 0.120 | 1.60 | 1.80 | 25 x 20 |
| 3300 | 381LX332M025J202 | 0.160 | 0.120 | 1.60 | 1.80 | 25 x 20 |
| 4700 | 381LX472M025H012 | 0.105 | 0.080 | 2.00 | 2.30 | 22 x 25 |
| 4700 | 381LX472M025K202 | 0.110 | 0.085 | 1.80 | 2.10 | 30 x 20 |
| 5600 | 381LX562M025H022 | 0.090 | 0.070 | 2.20 | 2.50 | 22 x 30 |

Type 381LX / 383LX 105 °C High Ripple, Snap-In Aluminum

High Ripple, Long Life, 2,4 and 5 pin styles available

| Cap. µF | Catalog Part Number | Max ESR Ω @ 25 °C | | Ripple Amps Max @ 105 °C | | Nominal Size |
|------------------------------|---------------------|----------------------|--------|-----------------------------|--------|-----------------|
| | | 120 Hz | 20 kHz | 120 Hz | 20 kHz | |
| 6800 | 381LX682M025H022 | 0.070 | 0.055 | 2.40 | 2.80 | 22 x 30 |
| 6800 | 381LX682M025J012 | 0.070 | 0.055 | 2.40 | 2.80 | 25 x 25 |
| 6800 | 381LX682M025A202 | 0.080 | 0.060 | 2.30 | 2.60 | 35 x 20 |
| 8200 | 381LX822M025H032 | 0.060 | 0.045 | 2.70 | 3.10 | 22 x 35 |
| 8200 | 381LX822M025J022 | 0.060 | 0.045 | 2.70 | 3.10 | 25 x 30 |
| 8200 | 381LX822M025K012 | 0.060 | 0.045 | 2.70 | 3.10 | 30 x 25 |
| 10000 | 381LX103M025H042 | 0.103 | 0.082 | 3.00 | 3.50 | 22 x 40 |
| 10000 | 381LX103M025J032 | 0.103 | 0.082 | 3.00 | 3.50 | 25 x 35 |
| 10000 | 381LX103M025K022 | 0.103 | 0.082 | 3.00 | 3.50 | 30 x 30 |
| 12000 | 381LX123M025H452 | 0.044 | 0.033 | 3.20 | 3.68 | 22 x 45 |
| 12000 | 381LX123M025J042 | 0.044 | 0.033 | 3.20 | 3.70 | 25 x 40 |
| 12000 | 381LX123M025K022 | 0.044 | 0.033 | 3.20 | 3.70 | 30 x 30 |
| 12000 | 381LX123M025A012 | 0.044 | 0.033 | 3.20 | 3.70 | 35 x 25 |
| 15000 | 381LX153M025J452 | 0.069 | 0.059 | 3.60 | 4.10 | 25 x 45 |
| 15000 | 381LX153M025K032 | 0.069 | 0.059 | 3.60 | 4.10 | 30 x 35 |
| 15000 | 381LX153M025A022 | 0.069 | 0.059 | 3.60 | 4.10 | 35 x 30 |
| 18000 | 381LX183M025J052 | 0.057 | 0.049 | 3.90 | 4.50 | 25 x 50 |
| 18000 | 381LX183M025K042 | 0.057 | 0.049 | 3.90 | 4.50 | 30 x 40 |
| 18000 | 381LX183M025A032 | 0.057 | 0.049 | 3.90 | 4.50 | 35 x 35 |
| 22000 | 381LX223M025K452 | 0.025 | 0.022 | 4.30 | 4.90 | 30 x 45 |
| 22000 | 381LX223M025A032 | 0.025 | 0.022 | 4.30 | 4.90 | 35 x 35 |
| 27000 | 381LX273M025A452 | 0.038 | 0.034 | 4.80 | 5.50 | 35 x 45 |
| 27000 | 383L273M025N042 | 0.020 | 0.013 | 4.60 | 5.60 | 40 x 40 |
| 33000 | 381LX333M025A052 | 0.031 | 0.027 | 5.50 | 6.30 | 35 x 50 |
| 33000 | 383LX333M025N042 | 0.031 | 0.027 | 5.50 | 6.33 | 40 x 40 |
| 39000 | 381L393M025A062 | 0.014 | 0.009 | 6.10 | 7.60 | 35 x 63 |
| 39000 | 383L393M025N052 | 0.015 | 0.010 | 5.80 | 7.00 | 40 x 50 |
| 47000 | 381LX473M025A062 | 0.017 | 0.015 | 6.50 | 7.50 | 35 x 63 |
| 47000 | 381L473M025A072 | 0.012 | 0.008 | 7.10 | 8.70 | 35 x 70 |
| 47000 | 383LX473M025N052 | 0.015 | 0.014 | 6.50 | 7.40 | 40 x 50 |
| 47000 | 383L473M025N062 | 0.012 | 0.008 | 6.90 | 8.30 | 40 x 63 |
| 56000 | 381L563M025A082 | 0.010 | 0.007 | 7.90 | 9.70 | 35 x 80 |
| 56000 | 383LX563M025N062 | 0.015 | 0.012 | 7.20 | 8.25 | 40 x 63 |
| 68000 | 383L683M025N082 | 0.009 | 0.007 | 8.70 | 10.20 | 40 x 80 |
| 82000 | 381LX823M025A102 | 0.013 | 0.012 | 8.58 | 9.87 | 35 x 105 |
| 82000 | 383LX823M025N082 | 0.014 | 0.011 | 8.70 | 10.00 | 40 x 80 |
| 82000 | 383LX823M025B052V | 0.016 | 0.015 | 9.20 | 10.58 | 50 x 50 |
| 100000 | 383LX104M025N102 | 0.012 | 0.010 | 9.76 | 11.22 | 40 x 105 |
| 100000 | 383LX104M025B062V | 0.015 | 0.013 | 10.02 | 11.52 | 50 x 63 |
| 120000 | 383LX124M025B082V | 0.013 | 0.012 | 10.93 | 12.57 | 50 x 80 |
| 150000 | 383LX154M025B092V | 0.012 | 0.011 | 11.70 | 13.46 | 50 x 92 |
| 180000 | 383LX184M025B102V | 0.010 | 0.009 | 12.42 | 14.28 | 50 x 105 |
| 35 Vdc (44 Vdc Surge) | | | | | | |
| 1500 | 381LX152M035H202 | 0.287 | 0.216 | 1.10 | 1.30 | 22 x 20 |
| 1500 | 381LX152M035H012 | 0.287 | 0.216 | 1.10 | 1.30 | 22 x 25 |

| Cap. µF | Catalog Part Number | Max ESR Ω @ 25 °C | | Ripple Amps Max @ 105 °C | | Nominal Size |
|------------------------------|---------------------|----------------------|--------|-----------------------------|--------|-----------------|
| | | 120 Hz | 20 kHz | 120 Hz | 20 kHz | |
| 2200 | 381LX222M035H012 | 0.200 | 0.150 | 1.40 | 1.60 | 22 x 25 |
| 2200 | 381LX222M035J202 | 0.200 | 0.150 | 1.40 | 1.60 | 25 x 20 |
| 3300 | 381LX332M035H012 | 0.121 | 0.091 | 1.90 | 2.20 | 22 x 25 |
| 3300 | 381LX332M035K202 | 0.130 | 0.100 | 1.70 | 2.00 | 30 x 20 |
| 3900 | 381LX392M035H022 | 0.110 | 0.080 | 2.00 | 2.30 | 22 x 30 |
| 4700 | 381LX472M035H032 | 0.090 | 0.070 | 2.20 | 2.50 | 22 x 35 |
| 4700 | 381LX472M035J012 | 0.090 | 0.070 | 2.20 | 2.50 | 25 x 25 |
| 4700 | 381LX472M035A202 | 0.095 | 0.070 | 2.00 | 2.30 | 35 x 20 |
| 5600 | 381LX562M035H032 | 0.071 | 0.054 | 2.40 | 2.80 | 22 x 35 |
| 5600 | 381LX562M035J022 | 0.071 | 0.054 | 2.40 | 2.80 | 25 x 30 |
| 5600 | 381LX562M035K012 | 0.071 | 0.054 | 2.40 | 2.80 | 30 x 25 |
| 6800 | 381LX682M035H042 | 0.088 | 0.067 | 2.60 | 3.00 | 22 x 40 |
| 6800 | 381LX682M035J032 | 0.088 | 0.067 | 2.60 | 3.00 | 25 x 35 |
| 6800 | 381LX682M035K022 | 0.088 | 0.067 | 2.60 | 3.00 | 30 x 30 |
| 8200 | 381LX822M035H052 | 0.049 | 0.037 | 2.90 | 3.30 | 22 x 50 |
| 8200 | 381LX822M035J042 | 0.049 | 0.037 | 2.90 | 3.30 | 25 x 40 |
| 8200 | 381LX822M035K022 | 0.049 | 0.037 | 2.90 | 3.30 | 30 x 30 |
| 8200 | 381LX822M035A012 | 0.049 | 0.037 | 2.90 | 3.30 | 35 x 25 |
| 10000 | 381LX103M035J452 | 0.040 | 0.030 | 3.20 | 3.70 | 25 x 45 |
| 10000 | 381LX103M035K032 | 0.040 | 0.030 | 3.20 | 3.70 | 30 x 35 |
| 10000 | 381LX103M035A022 | 0.040 | 0.030 | 3.20 | 3.70 | 35 x 30 |
| 12000 | 381LX123M035J052 | 0.05 | 0.038 | 3.50 | 4.00 | 25 x 50 |
| 12000 | 381LX123M035K042 | 0.05 | 0.038 | 3.50 | 4.00 | 30 x 40 |
| 12000 | 381LX123M035A022 | 0.05 | 0.038 | 3.50 | 4.00 | 35 x 30 |
| 15000 | 381LX153M035K452 | 0.030 | 0.020 | 3.90 | 4.50 | 30 x 45 |
| 15000 | 381LX153M035A032 | 0.030 | 0.020 | 3.90 | 4.50 | 35 x 35 |
| 18000 | 381LX183M035A042 | 0.030 | 0.021 | 4.30 | 4.90 | 35 x 40 |
| 22000 | 381LX223M035A052 | 0.023 | 0.017 | 5.00 | 5.80 | 35 x 50 |
| 22000 | 383LX223M035N042 | 0.023 | 0.017 | 5.00 | 5.75 | 40 x 40 |
| 27000 | 381LX273M035A062 | 0.025 | 0.018 | 5.50 | 6.40 | 35 x 63 |
| 27000 | 383LX273M035N052 | 0.020 | 0.015 | 5.45 | 6.25 | 40 x 50 |
| 33000 | 381L333M035A072 | 0.014 | 0.009 | 6.40 | 8.10 | 35 x 70 |
| 33000 | 383L333M035N062 | 0.019 | 0.014 | 6.60 | 7.60 | 40 x 63 |
| 39000 | 381LX393M035A082 | 0.019 | 0.014 | 6.50 | 7.50 | 35 x 80 |
| 47000 | 381LX473M035A102 | 0.017 | 0.013 | 8.07 | 9.28 | 35 x 105 |
| 47000 | 383L473M035N082 | 0.018 | 0.013 | 7.80 | 9.00 | 40 x 80 |
| 47000 | 383LX473M035B052V | 0.021 | 0.016 | 8.25 | 9.49 | 50 x 50 |
| 56000 | 383LX563M035B062V | 0.019 | 0.014 | 9.07 | 10.43 | 50 x 63 |
| 68000 | 383LX683M035N102 | 0.016 | 0.012 | 9.27 | 10.66 | 40 x 105 |
| 68000 | 383LX683M035B082V | 0.017 | 0.013 | 10.07 | 11.58 | 50 x 80 |
| 82000 | 383LX823M035B092V | 0.015 | 0.011 | 10.89 | 12.52 | 50 x 92 |
| 100000 | 383LX104M035B102V | 0.013 | 0.010 | 11.75 | 13.51 | 50 x 105 |
| 50 Vdc (63 Vdc Surge) | | | | | | |
| 1000 | 381LX102M050H202 | 0.260 | 0.200 | .90 | 1.00 | 22 x 20 |
| 1000 | 381LX102M050H012 | 0.230 | 0.170 | .90 | 1.00 | 22 x 20 |

Type 381LX / 383LX 105 °C High Ripple, Snap-In Aluminum

High Ripple, Long Life, 2,4 and 5 pin styles available

| Cap. µF | Catalog Part Number | Max ESR Ω @ 25 °C | | Ripple Amps Max @ 105 °C | | Nominal Size |
|------------------------------|---------------------|----------------------|--------|-----------------------------|--------|-----------------|
| | | 120 Hz | 20 kHz | 120 Hz | 20 kHz | |
| 50 Vdc (63 Vdc Surge) | | | | | | |
| 1500 | 381LX152M050H012 | 0.155 | 0.120 | 1.25 | 1.45 | 22 x 25 |
| 1500 | 381LX152M050J202 | 0.177 | 0.130 | 1.20 | 1.40 | 25 x 20 |
| 1800 | 381LX182M050H012 | 0.129 | 0.097 | 1.50 | 1.70 | 22 x 25 |
| 2200 | 381LX222M050H022 | 0.105 | 0.080 | 1.70 | 2.00 | 22 x 30 |
| 2200 | 381LX222M050K202 | 0.121 | 0.090 | 1.40 | 1.60 | 30 x 20 |
| 2700 | 381LX272M050H022 | 0.086 | 0.064 | 1.80 | 2.10 | 22 x 30 |
| 2700 | 381LX272M050J012 | 0.086 | 0.064 | 1.80 | 2.10 | 25 x 25 |
| 3300 | 381LX332M050H032 | 0.070 | 0.053 | 2.00 | 2.30 | 22 x 35 |
| 3300 | 381LX332M050J022 | 0.070 | 0.053 | 2.00 | 2.30 | 25 x 30 |
| 3300 | 381LX332M050A202 | 0.085 | 0.064 | 1.70 | 2.00 | 35 x 20 |
| 3900 | 381LX392M050H042 | 0.065 | 0.050 | 2.20 | 2.50 | 22 x 40 |
| 3900 | 381LX392M050J032 | 0.065 | 0.050 | 2.20 | 2.50 | 25 x 35 |
| 3900 | 381LX392M050K012 | 0.065 | 0.050 | 2.20 | 2.50 | 30 x 25 |
| 4700 | 381LX472M050H452 | 0.053 | 0.040 | 2.50 | 2.90 | 22 x 45 |
| 4700 | 381LX471M050J042 | 0.053 | 0.040 | 2.50 | 2.90 | 25 x 40 |
| 4700 | 381LX472M050K022 | 0.053 | 0.040 | 2.50 | 2.90 | 30 x 30 |
| 4700 | 381LX472M050A012 | 0.053 | 0.040 | 2.50 | 2.90 | 35 x 25 |
| 5600 | 381LX562M050H052 | 0.050 | 0.038 | 2.80 | 3.20 | 22 x 50 |
| 5600 | 381LX562M050J042 | 0.050 | 0.038 | 2.80 | 3.20 | 25 x 40 |
| 5600 | 381LX562M050K032 | 0.050 | 0.038 | 2.80 | 3.20 | 30 x 35 |
| 5600 | 381LX562M050A022 | 0.050 | 0.038 | 2.80 | 3.20 | 35 x 30 |
| 6800 | 381LX682M050J052 | 0.046 | 0.035 | 3.30 | 3.80 | 25 x 50 |
| 6800 | 381LX682M050K042 | 0.046 | 0.035 | 3.30 | 3.80 | 30 x 40 |
| 6800 | 381LX682M050A022 | 0.046 | 0.035 | 3.30 | 3.80 | 35 x 30 |
| 8200 | 381LX822M050K452 | 0.047 | 0.035 | 3.60 | 4.10 | 30 x 45 |
| 8200 | 381LX822M050A032 | 0.047 | 0.035 | 3.60 | 4.10 | 35 x 35 |
| 10000 | 381LX103M050K052 | 0.033 | 0.025 | 4.00 | 4.60 | 30 x 50 |
| 10000 | 381LX103M050A042 | 0.033 | 0.025 | 4.00 | 4.60 | 35 x 40 |
| 12000 | 381LX123M050A452 | 0.028 | 0.021 | 4.50 | 5.20 | 35 x 45 |
| 12000 | 383L123M050N042 | 0.029 | 0.018 | 3.80 | 4.80 | 40 x 40 |
| 15000 | 381LX153M050A052 | 0.022 | 0.018 | 4.80 | 5.50 | 35 x 50 |
| 15000 | 381L153M050A062 | 0.020 | 0.012 | 5.10 | 6.50 | 35 x 63 |
| 15000 | 383LX153M050N042 | 0.022 | 0.018 | 4.80 | 5.52 | 40 x 40 |
| 15000 | 383L153M050N052 | 0.021 | 0.013 | 4.90 | 6.10 | 40 x 50 |
| 18000 | 381L183M050A072 | 0.017 | 0.010 | 5.90 | 7.50 | 35 x 70 |
| 18000 | 383L183M050N062 | 0.017 | 0.011 | 5.80 | 7.20 | 40 x 63 |
| 18000 | 381LX183M050A062 | 0.028 | 0.022 | 5.30 | 6.00 | 35 x 63 |
| 22000 | 381L223M050A082 | 0.014 | 0.009 | 6.70 | 8.40 | 35 x 80 |
| 22000 | 383LX223M050N052 | 0.016 | 0.013 | 5.10 | 5.90 | 40 x 50 |
| 27000 | 381LX273M050A082 | 0.015 | 0.012 | 6.20 | 7.10 | 35 x 80 |
| 27000 | 383LX273M050N062 | 0.015 | 0.012 | 6.05 | 6.96 | 40 x 63 |
| 27000 | 383L273M050N082 | 0.013 | 0.009 | 7.40 | 9.00 | 40 x 80 |
| 33000 | 381LX333M050A102 | 0.013 | 0.010 | 7.23 | 8.31 | 35 x 105 |
| 33000 | 383LX333M050B052V | 0.018 | 0.014 | 7.75 | 8.91 | 50 x 50 |

| Cap. µF | Catalog Part Number | Max ESR Ω @ 25 °C | | Ripple Amps Max @ 105 °C | | Nominal Size |
|------------------------------|---------------------|----------------------|--------|-----------------------------|--------|-----------------|
| | | 120 Hz | 20 kHz | 120 Hz | 20 kHz | |
| 63 Vdc (79 Vdc Surge) | | | | | | |
| 39000 | 383LX393M050N082 | 0.013 | 0.010 | 6.20 | 7.10 | 40 x 80 |
| 39000 | 383LX393M050B062V | 0.016 | 0.013 | 8.40 | 9.66 | 50 x 63 |
| 47000 | 383LX473M050N102 | 0.012 | 0.010 | 8.18 | 9.41 | 40 x 105 |
| 47000 | 383LX473M050B082V | 0.014 | 0.011 | 9.19 | 10.57 | 50 x 80 |
| 56000 | 383LX563M050B092V | 0.012 | 0.009 | 9.79 | 11.26 | 50 x 92 |
| 68000 | 383LX683M050B102V | 0.011 | 0.009 | 10.40 | 12.00 | 50 x 105 |
| 680 | 381LX681M063H202 | 0.463 | 0.350 | .90 | 1.00 | 22 x 20 |
| 680 | 381LX681M063H012 | 0.410 | 0.310 | .90 | 1.00 | 22 x 25 |
| 1000 | 381LX102M063H012 | 0.280 | 0.210 | 1.18 | 1.35 | 22 x 25 |
| 1000 | 381LX102M063J202 | 0.315 | 0.240 | 1.20 | 1.40 | 25 x 20 |
| 1200 | 381LX122M063H012 | 0.235 | 0.180 | 1.40 | 1.60 | 22 x 25 |
| 1500 | 381LX152M063H022 | 0.190 | 0.140 | 1.50 | 1.70 | 22 x 30 |
| 1500 | 381LX152M063K202 | 0.210 | 0.160 | 1.30 | 1.50 | 30 x 20 |
| 1800 | 381LX182M063H022 | 0.157 | 0.117 | 1.70 | 1.96 | 22 x 30 |
| 1800 | 381LX182M063J012 | 0.157 | 0.117 | 1.70 | 2.00 | 25 x 25 |
| 2200 | 381LX222M063H032 | 0.130 | 0.096 | 2.00 | 2.30 | 22 x 35 |
| 2200 | 381LX222M063J022 | 0.130 | 0.096 | 2.00 | 2.30 | 25 x 30 |
| 2200 | 381LX222M063A202 | 0.143 | 0.110 | 1.50 | 1.70 | 35 x 20 |
| 2700 | 381LX272M063H042 | 0.105 | 0.080 | 2.20 | 2.50 | 22 x 40 |
| 2700 | 381LX272M063J032 | 0.105 | 0.080 | 2.20 | 2.50 | 25 x 35 |
| 2700 | 381LX272M063K012 | 0.105 | 0.080 | 2.20 | 2.50 | 30 x 25 |
| 3300 | 381LX332M063H052 | 0.090 | 0.070 | 2.50 | 2.90 | 22 x 50 |
| 3300 | 381LX332M063J042 | 0.090 | 0.070 | 2.50 | 2.90 | 25 x 40 |
| 3300 | 381LX332M063K022 | 0.090 | 0.070 | 2.50 | 2.90 | 30 x 30 |
| 3300 | 381LX332M063A012 | 0.090 | 0.070 | 2.50 | 2.90 | 35 x 25 |
| 3900 | 381LX392M063J452 | 0.080 | 0.060 | 2.70 | 3.10 | 25 x 45 |
| 3900 | 381LX392M063K032 | 0.080 | 0.060 | 2.70 | 3.10 | 30 x 35 |
| 3900 | 381LX392M063A022 | 0.080 | 0.060 | 2.70 | 3.10 | 35 x 30 |
| 4700 | 381LX472M063J052 | 0.063 | 0.048 | 3.00 | 3.50 | 25 x 50 |
| 4700 | 381LX472M063K042 | 0.063 | 0.048 | 3.00 | 3.50 | 30 x 40 |
| 4700 | 381LX472M063A022 | 0.063 | 0.048 | 3.00 | 3.50 | 35 x 30 |
| 5600 | 381LX562M063K452 | 0.055 | 0.040 | 3.30 | 3.80 | 30 x 45 |
| 5600 | 381LX562M063A032 | 0.055 | 0.040 | 3.30 | 3.80 | 35 x 35 |
| 6800 | 381LX682M063K052 | 0.050 | 0.040 | 3.60 | 4.10 | 30 x 50 |
| 6800 | 381LX682M063A042 | 0.050 | 0.040 | 3.60 | 4.10 | 35 x 40 |
| 8200 | 381LX822M063A452 | 0.040 | 0.030 | 3.90 | 4.50 | 35 x 45 |
| 8200 | 383L822M063N042 | 0.031 | 0.018 | 3.70 | 4.80 | 40 x 40 |
| 10000 | 381LX103M063A052 | 0.033 | 0.028 | 4.40 | 5.10 | 35 x 50 |
| 12000 | 381LX123M063A052 | 0.030 | 0.025 | 4.40 | 5.10 | 35 x 50 |
| 12000 | 381L123M063A062 | 0.029 | 0.012 | 4.20 | 6.50 | 35 x 63 |
| 12000 | 383LX123M063N042 | 0.030 | 0.028 | 4.52 | 5.20 | 40 x 40 |
| 12000 | 383L123M063N052 | 0.022 | 0.013 | 4.70 | 6.10 | 40 x 50 |
| 15000 | 381LX153M063A062 | 0.024 | 0.021 | 4.90 | 5.70 | 35 x 63 |
| 15000 | 383LX153M063N052 | 0.027 | 0.023 | 4.80 | 5.50 | 40 x 50 |

Type 381LX / 383LX 105 °C High Ripple, Snap-In Aluminum

High Ripple, Long Life, 2,4 and 5 pin styles available

| Cap. µF | Catalog Part Number | Max ESR Ω @ 25 °C | | Ripple Amps Max @ 105 °C | | Nominal Size |
|-------------------------------|---------------------|----------------------|--------|-----------------------------|--------|-----------------|
| | | 120 Hz | 20 kHz | 120 Hz | 20 kHz | |
| 63 Vdc (79 Vdc Surge) | | | | | | |
| 15000 | 383L153M063N062 | 0.018 | 0.011 | 5.70 | 7.20 | 40 x 63 |
| 18000 | 381LX183M063A082 | 0.022 | 0.019 | 5.80 | 6.70 | 35 x 80 |
| 18000 | 383LX183M063N062 | 0.023 | 0.020 | 5.40 | 6.20 | 40 x 63 |
| 22000 | 383L223M063N082 | 0.013 | 0.009 | 7.20 | 9.00 | 40 x 80 |
| 22000 | 383LX223M063B052V | 0.019 | 0.016 | 6.76 | 7.77 | 50 x 50 |
| 27000 | 381LX273M063A102 | 0.017 | 0.014 | 6.53 | 7.51 | 35 x 105 |
| 27000 | 383LX273M063N082 | 0.017 | 0.014 | 6.60 | 7.60 | 40 x 80 |
| 27000 | 383LX273M063B062V | 0.017 | 0.014 | 7.34 | 8.44 | 50 x 63 |
| 33000 | 383LX333M063B082V | 0.015 | 0.013 | 8.00 | 9.20 | 50 x 80 |
| 39000 | 383LX393M063N102 | 0.014 | 0.012 | 7.53 | 8.66 | 40 x 105 |
| 39000 | 383LX393M063B092V | 0.014 | 0.012 | 8.48 | 9.75 | 50 x 92 |
| 47000 | 383LX473M063B102V | 0.012 | 0.010 | 8.99 | 10.34 | 50 x 105 |
| 80 Vdc (100 Vdc Surge) | | | | | | |
| 470 | 381LX471M080H202 | 0.460 | 0.300 | .80 | .90 | 22 x 20 |
| 470 | 381LX471M080H012 | 0.390 | 0.270 | .80 | .90 | 22 x 25 |
| 680 | 381LX681M080H012 | 0.270 | 0.190 | 1.00 | 1.15 | 22 x 25 |
| 680 | 381LX681M080J202 | 0.317 | 0.206 | 1.00 | 1.20 | 25 x 20 |
| 820 | 381LX821M080H012 | 0.222 | 0.145 | 1.20 | 1.40 | 22 x 25 |
| 1000 | 381LX102M080H022 | 0.182 | 0.120 | 1.30 | 1.50 | 22 x 30 |
| 1000 | 381LX102M080J012 | 0.182 | 0.120 | 1.30 | 1.50 | 25 x 25 |
| 1000 | 381LX102M080K202 | 0.220 | 0.140 | 1.20 | 1.40 | 30 x 20 |
| 1200 | 381LX122M080H022 | 0.220 | 0.140 | 1.50 | 1.70 | 22 x 30 |
| 1200 | 381LX122M080J012 | 0.220 | 0.140 | 1.50 | 1.70 | 25 x 25 |
| 1500 | 381LX152M080H032 | 0.133 | 0.093 | 1.70 | 2.00 | 22 x 35 |
| 1500 | 381LX152M080J022 | 0.133 | 0.093 | 1.70 | 2.00 | 25 x 30 |
| 1500 | 381LX152M080A202 | 0.155 | 0.110 | 1.40 | 1.60 | 35 x 20 |
| 1800 | 381LX182M080H042 | 0.111 | 0.080 | 1.80 | 2.10 | 22 x 40 |
| 1800 | 381LX182M080J032 | 0.111 | 0.080 | 1.80 | 2.10 | 25 x 35 |
| 1800 | 381LX182M080K012 | 0.111 | 0.080 | 1.80 | 2.10 | 30 x 25 |
| 2200 | 381LX222M080H452 | 0.090 | 0.063 | 2.10 | 2.40 | 22 x 45 |
| 2200 | 381LX222M080J032 | 0.090 | 0.063 | 2.10 | 2.40 | 25 x 35 |
| 2200 | 381LX222M080K022 | 0.090 | 0.063 | 2.10 | 2.40 | 30 x 30 |
| 2200 | 381LX222M080A012 | 0.090 | 0.063 | 2.10 | 2.40 | 35 x 25 |
| 2700 | 381LX272M080J452 | 0.074 | 0.055 | 2.40 | 2.80 | 25 x 45 |
| 2700 | 381LX272M080K032 | 0.074 | 0.055 | 2.40 | 2.80 | 30 x 35 |
| 2700 | 381LX272M080A022 | 0.074 | 0.055 | 2.40 | 2.80 | 35 x 30 |
| 3300 | 381LX332M080J052 | 0.065 | 0.049 | 2.60 | 3.00 | 25 x 50 |
| 3300 | 381LX332M080K042 | 0.065 | 0.049 | 2.60 | 3.00 | 30 x 40 |
| 3300 | 381LX332M080A022 | 0.065 | 0.049 | 2.60 | 3.00 | 35 x 30 |
| 3900 | 381LX392M080K452 | 0.060 | 0.044 | 3.00 | 3.50 | 30 x 45 |
| 3900 | 381LX392M080A032 | 0.060 | 0.044 | 3.00 | 3.50 | 35 x 35 |
| 4700 | 381LX472M080K052 | 0.048 | 0.036 | 3.30 | 3.80 | 30 x 50 |
| 4700 | 381LX472M080A042 | 0.048 | 0.036 | 3.30 | 3.80 | 35 x 40 |
| 5600 | 381LX562M080A452 | 0.050 | 0.038 | 3.70 | 4.30 | 35 x 45 |

| Cap. µF | Catalog Part Number | Max ESR Ω @ 25 °C | | Ripple Amps Max @ 105 °C | | Nominal Size |
|--------------------------------|---------------------|----------------------|--------|-----------------------------|--------|-----------------|
| | | 120 Hz | 20 kHz | 120 Hz | 20 kHz | |
| 5600 | 383L562M080N042 | 0.035 | 0.022 | 3.50 | 4.40 | 40 x 40 |
| 6800 | 381LX682M080A052 | 0.041 | 0.031 | 3.90 | 4.50 | 35 x 50 |
| 6800 | 383LX682M080N042 | 0.041 | 0.031 | 3.90 | 4.49 | 40 x 40 |
| 8200 | 381L822M080A062 | 0.024 | 0.014 | 4.60 | 5.90 | 35 x 63 |
| 8200 | 383L822M080N052 | 0.025 | 0.016 | 4.40 | 5.60 | 40 x 50 |
| 10000 | 381L103M080A072 | 0.020 | 0.012 | 5.40 | 6.90 | 35 x 70 |
| 10000 | 383L103M080N062 | 0.021 | 0.013 | 5.30 | 6.70 | 40 x 63 |
| 12000 | 381L123M080A082 | 0.017 | 0.011 | 6.10 | 7.70 | 35 x 80 |
| 12000 | 383LX123M080B052V | 0.035 | 0.026 | 6.03 | 6.93 | 50 x 50 |
| 15000 | 381LX153M080A102 | 0.024 | 0.018 | 6.13 | 7.05 | 35 x 105 |
| 15000 | 383L153M080N082 | 0.015 | 0.010 | 6.80 | 8.40 | 40 x 80 |
| 15000 | 383LX153M080B062V | 0.028 | 0.021 | 6.65 | 7.65 | 50 x 63 |
| 18000 | 383LX183M080B082V | 0.026 | 0.019 | 7.29 | 8.38 | 50 x 80 |
| 22000 | 383LX223M080N102 | 0.019 | 0.014 | 6.95 | 7.99 | 40 x 105 |
| 22000 | 383LX223M080B092V | 0.022 | 0.016 | 7.83 | 9.00 | 50 x 92 |
| 27000 | 383LX273M080B102V | 0.018 | 0.014 | 8.38 | 9.64 | 50 x 105 |
| 100 Vdc (125 Vdc Surge) | | | | | | |
| 330 | 381LX331M100H202 | 0.653 | 0.392 | .80 | 1.20 | 22 x 20 |
| 330 | 381LX331M100H012 | 0.550 | 0.330 | .80 | 1.20 | 22 x 25 |
| 470 | 381LX471M100H012 | 0.390 | 0.230 | .92 | 1.40 | 22 x 25 |
| 470 | 381LX471M100J202 | 0.460 | 0.275 | 1.00 | 1.50 | 25 x 20 |
| 560 | 381LX561M100H012 | 0.300 | 0.180 | 1.10 | 1.30 | 22 x 25 |
| 680 | 381LX681M100K202 | 0.317 | 0.190 | 1.10 | 1.70 | 30 x 20 |
| 820 | 381LX821M100H022 | 0.265 | 0.157 | 1.40 | 1.80 | 22 x 30 |
| 820 | 381LX821M100J012 | 0.265 | 0.157 | 1.40 | 1.80 | 25 x 25 |
| 1000 | 381LX102M100H032 | 0.182 | 0.110 | 1.70 | 2.55 | 22 x 35 |
| 1000 | 381LX102M100J022 | 0.182 | 0.110 | 1.70 | 2.55 | 25 x 30 |
| 1000 | 381LX102M100A202 | 0.216 | 0.130 | 1.20 | 1.80 | 35 x 20 |
| 1200 | 381LX122M100H042 | 0.152 | 0.091 | 1.80 | 2.70 | 22 x 40 |
| 1200 | 381LX122M100J032 | 0.152 | 0.091 | 1.80 | 2.70 | 25 x 35 |
| 1200 | 381LX122M100K012 | 0.152 | 0.091 | 1.80 | 2.70 | 30 x 25 |
| 1500 | 381LX152M100H452 | 0.122 | 0.073 | 2.10 | 3.15 | 22 x 45 |
| 1500 | 381LX152M100J042 | 0.122 | 0.073 | 2.10 | 3.15 | 25 x 40 |
| 1500 | 381LX152M100K022 | 0.122 | 0.073 | 2.10 | 3.15 | 30 x 30 |
| 1500 | 381LX152M100A012 | 0.122 | 0.073 | 2.10 | 3.15 | 35 x 25 |
| 1800 | 381LX182M100J452 | 0.111 | 0.072 | 2.30 | 3.45 | 25 x 45 |
| 1800 | 381LX182M100K032 | 0.111 | 0.072 | 2.30 | 3.45 | 30 x 35 |
| 1800 | 381LX182M100A022 | 0.111 | 0.072 | 2.30 | 3.45 | 35 x 30 |
| 2200 | 381LX222M100J052 | 0.090 | 0.060 | 2.60 | 3.90 | 25 x 50 |
| 2200 | 381LX222M100K042 | 0.090 | 0.060 | 2.60 | 3.90 | 30 x 40 |
| 2200 | 381LX222M100A022 | 0.090 | 0.060 | 2.60 | 3.90 | 35 x 30 |
| 2700 | 381LX272M100K452 | 0.080 | 0.052 | 2.90 | 4.35 | 30 x 45 |
| 2700 | 381LX272M100A032 | 0.080 | 0.052 | 2.90 | 4.35 | 35 x 35 |
| 3300 | 381LX332M100K052 | 0.075 | 0.053 | 3.20 | 4.80 | 30 x 50 |
| 3300 | 381LX332M100A042 | 0.075 | 0.053 | 3.20 | 4.80 | 35 x 40 |

Type 381LX / 383LX 105 °C High Ripple, Snap-In Aluminum

High Ripple, Long Life, 2,4 and 5 pin styles available

| Cap. µF | Catalog Part Number | Max ESR Ω @ 25 °C | | Ripple Amps Max @ 105 °C | | Nominal Size D x L (mm) |
|--------------------------------|---------------------|----------------------|--------|-----------------------------|--------|-------------------------------|
| | | 120 Hz | 20 kHz | 120 Hz | 20 kHz | |
| 100 Vdc (125 Vdc Surge) | | | | | | |
| 3900 | 381LX392M100A452 | 0.064 | 0.045 | 3.60 | 5.40 | 35 x 45 |
| 4700 | 381LX472M100A052 | 0.053 | 0.040 | 3.80 | 5.70 | 35 x 50 |
| 4700 | 381L472M100A062 | 0.032 | 0.013 | 4.00 | 5.80 | 35 x 63 |
| 4700 | 383LX472M100N042 | 0.053 | 0.040 | 3.80 | 5.70 | 40 x 40 |
| 5600 | 381LX562M100A062 | 0.044 | 0.033 | 4.10 | 4.70 | 35 x 63 |
| 5600 | 381L562M100A072 | 0.027 | 0.011 | 4.70 | 6.70 | 35 x 70 |
| 5600 | 383L562M100N062 | 0.027 | 0.012 | 4.60 | 6.50 | 40 x 63 |
| 6800 | 381L682M100A082 | 0.023 | 0.010 | 5.30 | 7.50 | 35 x 80 |
| 6800 | 383LX682M100N052 | 0.037 | 0.027 | 4.60 | 5.30 | 40 x 50 |
| 8200 | 381LX822M100A082 | 0.030 | 0.023 | 5.15 | 5.90 | 35 x 80 |
| 8200 | 383LX822M100N062 | 0.030 | 0.023 | 5.00 | 5.77 | 40 x 63 |
| 8200 | 383L822M100N082 | 0.020 | 0.009 | 6.00 | 8.20 | 40 x 80 |
| 8200 | 383LX822M100B052V | 0.030 | 0.023 | 6.14 | 7.06 | 50 x 50 |
| 10000 | 381LX103M100A102 | 0.025 | 0.019 | 6.38 | 7.34 | 35 x 105 |
| 12000 | 383LX123M100N082 | 0.021 | 0.016 | 6.44 | 7.40 | 40 x 80 |
| 12000 | 383LX123M100B062V | 0.022 | 0.017 | 7.17 | 8.25 | 50 x 63 |
| 15000 | 383LX153M100N102 | 0.017 | 0.012 | 7.37 | 8.48 | 40 x 105 |
| 15000 | 383LX153M100B082V | 0.019 | 0.014 | 8.01 | 9.21 | 50 x 80 |
| 18000 | 383LX183M100B092V | 0.017 | 0.012 | 8.64 | 9.94 | 50 x 92 |
| 22000 | 383LX223M100B102V | 0.015 | 0.011 | 9.32 | 10.72 | 50 x 105 |
| 160 Vdc (200 Vdc Surge) | | | | | | |
| 150 | 381LX151M160H202 | 1.437 | 0.647 | .55 | .77 | 22 x 20 |
| 150 | 381LX151M160H012 | 1.220 | 0.550 | .60 | .85 | 22 x 25 |
| 220 | 381LX221M160H012 | 0.830 | 0.370 | .90 | 1.25 | 22 x 25 |
| 220 | 381LX221M160J202 | 0.980 | 0.441 | .80 | 1.10 | 25 x 20 |
| 270 | 381LX271M160H012 | 0.675 | 0.304 | 1.10 | 1.50 | 22 x 25 |
| 330 | 381LX331M160H022 | 0.553 | 0.249 | 1.20 | 1.70 | 22 x 30 |
| 330 | 381LX331M160K202 | 0.553 | 0.249 | 1.00 | 1.40 | 30 x 20 |
| 390 | 381LX391M160H022 | 0.553 | 0.249 | 1.30 | 1.80 | 22 x 30 |
| 390 | 381LX391M160J012 | 0.553 | 0.249 | 1.30 | 1.80 | 25 x 25 |
| 470 | 381LX471M160H022 | 0.423 | 0.190 | 1.40 | 2.00 | 22 x 30 |
| 470 | 381LX471M160A202 | 0.459 | 0.206 | 1.10 | 1.60 | 35 x 20 |
| 560 | 381LX561M160H032 | 0.355 | 0.160 | 1.50 | 2.10 | 22 x 35 |
| 560 | 381LX561M160J022 | 0.385 | 0.173 | 1.50 | 2.10 | 25 x 30 |
| 560 | 381LX561M160K012 | 0.385 | 0.173 | 1.50 | 2.10 | 30 x 25 |
| 680 | 381LX681M160H042 | 0.293 | 0.132 | 1.70 | 2.40 | 22 x 40 |
| 680 | 381LX681M160J022 | 0.293 | 0.132 | 1.70 | 2.40 | 25 x 30 |
| 820 | 381LX821M160H452 | 0.243 | 0.109 | 2.00 | 2.80 | 22 x 45 |
| 820 | 381LX821M160J032 | 0.243 | 0.109 | 2.00 | 2.80 | 25 x 35 |
| 820 | 381LX821M160K022 | 0.263 | 0.118 | 2.00 | 2.80 | 30 x 30 |
| 1000 | 381LX102M160H052 | 0.199 | 0.090 | 2.20 | 3.10 | 22 x 50 |
| 1000 | 381LX102M160J042 | 0.199 | 0.090 | 2.20 | 3.10 | 25 x 40 |
| 1000 | 381LX102M160K022 | 0.199 | 0.090 | 2.20 | 3.10 | 30 x 30 |
| 1000 | 381LX102M160A012 | 0.199 | 0.090 | 2.20 | 3.10 | 35 x 25 |

| Cap. µF | Catalog Part Number | Max ESR Ω @ 25 °C | | Ripple Amps Max @ 105 °C | | Nominal Size D x L (mm) |
|--------------------------------|---------------------|----------------------|--------|-----------------------------|--------|-------------------------------|
| | | 120 Hz | 20 kHz | 120 Hz | 20 kHz | |
| 1200 | 381LX122M160J452 | 0.180 | 0.090 | 2.30 | 3.20 | 25 x 45 |
| 1200 | 381LX122M160K032 | 0.180 | 0.090 | 2.30 | 3.20 | 30 x 35 |
| 1200 | 381LX122M160A022 | 0.180 | 0.090 | 2.30 | 3.20 | 35 x 30 |
| 1500 | 381LX152M160K042 | 0.144 | 0.072 | 2.50 | 3.50 | 30 x 40 |
| 1500 | 381LX152M160A022 | 0.144 | 0.072 | 2.50 | 3.50 | 35 x 30 |
| 1800 | 381LX182M160K452 | 0.129 | 0.064 | 2.70 | 3.80 | 30 x 45 |
| 1800 | 381LX182M160A032 | 0.129 | 0.064 | 2.70 | 3.80 | 35 x 35 |
| 2200 | 381LX222M160A452 | 0.105 | 0.063 | 2.90 | 4.10 | 35 x 45 |
| 2200 | 381L222M160A062 | 0.050 | 0.027 | 3.30 | 4.50 | 35 x 63 |
| 2200 | 383LX222M160N042 | 0.100 | 0.060 | 2.90 | 4.10 | 40 x 40 |
| 2700 | 381LX272M160A052 | 0.086 | 0.052 | 3.10 | 4.40 | 35 x 50 |
| 2700 | 381L272M160A072 | 0.043 | 0.023 | 3.80 | 5.20 | 35 x 70 |
| 2700 | 383L272M160N062 | 0.045 | 0.027 | 3.80 | 5.00 | 40 x 63 |
| 3300 | 381L332M160A082 | 0.037 | 0.020 | 3.80 | 5.90 | 35 x 80 |
| 3300 | 383LX332M160N052 | 0.070 | 0.040 | 3.40 | 4.70 | 40 x 40 |
| 3900 | 383L392M160A082 | 0.029 | 0.017 | 4.90 | 6.30 | 40 x 80 |
| 180 Vdc (225 Vdc Surge) | | | | | | |
| 220 | 381LX221M180H012 | 0.904 | 0.461 | 1.00 | 1.40 | 22 x 25 |
| 270 | 381LX271M180H012 | 0.737 | 0.376 | 1.10 | 1.50 | 22 x 25 |
| 330 | 381LX331M180H022 | 0.603 | 0.308 | 1.20 | 1.70 | 22 x 30 |
| 330 | 381LX331M180J012 | 0.603 | 0.308 | 1.20 | 1.70 | 25 x 25 |
| 390 | 381LX391M180H022 | 0.510 | 0.260 | 1.30 | 1.80 | 22 x 30 |
| 390 | 381LX391M180J012 | 0.510 | 0.260 | 1.30 | 1.80 | 25 x 25 |
| 470 | 381LX471M180H032 | 0.423 | 0.216 | 1.40 | 2.00 | 22 x 35 |
| 470 | 381LX471M180J022 | 0.423 | 0.216 | 1.40 | 2.00 | 25 x 30 |
| 470 | 381LX471M180K012 | 0.423 | 0.216 | 1.40 | 2.00 | 30 x 25 |
| 560 | 381LX561M180H042 | 0.355 | 0.181 | 1.50 | 2.10 | 22 x 40 |
| 560 | 381LX561M180J022 | 0.355 | 0.181 | 1.50 | 2.10 | 25 x 30 |
| 560 | 381LX561M180J032 | 0.355 | 0.181 | 1.50 | 2.10 | 25 x 35 |
| 560 | 381LX561M180K012 | 0.355 | 0.181 | 1.50 | 2.10 | 30 x 25 |
| 680 | 381LX681M180H452 | 0.293 | 0.149 | 1.70 | 2.40 | 22 x 45 |
| 680 | 381LX681M180H052 | 0.293 | 0.149 | 1.70 | 2.40 | 22 x 50 |
| 680 | 381LX681M180J032 | 0.293 | 0.149 | 1.70 | 2.40 | 25 x 35 |
| 680 | 381LX681M180J042 | 0.293 | 0.149 | 1.70 | 2.40 | 25 x 40 |
| 680 | 381LX681M180K022 | 0.293 | 0.149 | 1.70 | 2.40 | 30 x 30 |
| 820 | 381LX821M180H052 | 0.243 | 0.124 | 2.00 | 2.80 | 22 x 50 |
| 820 | 381LX821M180J042 | 0.243 | 0.124 | 2.00 | 2.80 | 25 x 40 |
| 820 | 381LX821M180J452 | 0.243 | 0.124 | 2.00 | 2.80 | 25 x 45 |
| 820 | 381LX821M180K022 | 0.243 | 0.124 | 2.00 | 2.80 | 30 x 30 |
| 820 | 381LX821M180K032 | 0.243 | 0.124 | 2.00 | 2.80 | 30 x 35 |
| 1000 | 381LX102M180J452 | 0.199 | 0.102 | 2.20 | 3.10 | 25 x 45 |
| 1000 | 381LX102M180K032 | 0.199 | 0.102 | 2.20 | 3.10 | 30 x 35 |
| 1000 | 381LX102M180K042 | 0.199 | 0.102 | 2.20 | 3.10 | 30 x 40 |
| 1000 | 381LX102M180A022 | 0.199 | 0.102 | 2.20 | 3.10 | 35 x 30 |
| 1200 | 381LX122M180J052 | 0.166 | 0.085 | 2.30 | 3.20 | 25 x 50 |

Type 381LX / 383LX 105 °C High Ripple, Snap-In Aluminum

High Ripple, Long Life, 2,4 and 5 pin styles available

| Cap. µF | Catalog Part Number | Max ESR Ω @ 25 °C | | Ripple Amps Max @ 105 °C | | Nominal Size D x L (mm) |
|--------------------------------|---------------------|----------------------|--------|-----------------------------|--------|-------------------------------|
| | | 120 Hz | 20 kHz | 120 Hz | 20 kHz | |
| 180 Vdc (225 Vdc Surge) | | | | | | |
| 1200 | 381LX122M180K042 | 0.166 | 0.085 | 2.30 | 3.20 | 30 x 40 |
| 1200 | 381LX122M180K452 | 0.166 | 0.085 | 2.30 | 3.20 | 30 x 45 |
| 1200 | 381LX122M180A022 | 0.166 | 0.085 | 2.30 | 3.20 | 35 x 30 |
| 1500 | 381LX152M180K452 | 0.133 | 0.068 | 2.50 | 3.50 | 30 x 45 |
| 1500 | 381LX152M180K052 | 0.133 | 0.068 | 2.50 | 3.50 | 30 x 50 |
| 1500 | 381LX152M180A032 | 0.133 | 0.068 | 2.50 | 3.50 | 35 x 35 |
| 1500 | 381LX152M180A042 | 0.133 | 0.068 | 2.50 | 3.50 | 35 x 40 |
| 1800 | 381L182M180A062 | 0.055 | 0.028 | 3.20 | 4.50 | 35 x 63 |
| 1800 | 383L182M180N052 | 0.059 | 0.033 | 3.10 | 4.20 | 40 x 50 |
| 1800 | 381LX182M180A452 | 0.111 | 0.028 | 2.70 | 3.80 | 35 x 45 |
| 2200 | 381L222M180A072 | 0.046 | 0.024 | 3.70 | 5.20 | 35 x 70 |
| 2200 | 383L222M180N062 | 0.048 | 0.027 | 3.70 | 4.90 | 40 x 63 |
| 2200 | 381LX222M180A052 | 0.090 | 0.046 | 2.90 | 4.10 | 35 x 50 |
| 2700 | 381L272M180A082 | 0.039 | 0.021 | 4.30 | 5.90 | 35 x 80 |
| 3300 | 383L332M180N082 | 0.035 | 0.020 | 4.80 | 6.30 | 40 x 80 |
| 200 Vdc (250 Vdc Surge) | | | | | | |
| 100 | 381LX101M200H202 | 1.989 | 0.895 | .50 | .70 | 22 x 20 |
| 100 | 381LX101M200H012 | 1.660 | 0.750 | .50 | .70 | 22 x 25 |
| 150 | 381LX151M200H012 | 1.100 | 0.500 | .70 | .95 | 22 x 25 |
| 150 | 381LX151M200J202 | 1.326 | 0.600 | .70 | .90 | 25 x 20 |
| 220 | 381LX221M200H012 | 0.754 | 0.339 | 1.00 | 1.40 | 22 x 25 |
| 220 | 381LX221M200K202 | 0.904 | 0.407 | .90 | 1.20 | 30 x 20 |
| 270 | 381LX271M200H022 | 0.614 | 0.276 | 1.10 | 1.50 | 22 x 30 |
| 270 | 381LX271M200J012 | 0.614 | 0.276 | 1.10 | 1.50 | 25 x 25 |
| 330 | 381LX331M200H022 | 0.603 | 0.308 | 1.20 | 1.70 | 22 x 30 |
| 330 | 381LX331M200J012 | 0.603 | 0.308 | 1.20 | 1.70 | 25 x 25 |
| 330 | 381LX331M200A202 | 0.603 | 0.271 | 1.10 | 1.50 | 35 x 20 |
| 390 | 381LX391M200H022 | 0.510 | 0.230 | 1.30 | 1.80 | 22 x 30 |
| 390 | 381LX391M200J012 | 0.510 | 0.230 | 1.30 | 1.80 | 25 x 25 |
| 470 | 381LX471M200H032 | 0.423 | 0.190 | 1.40 | 2.00 | 22 x 35 |
| 470 | 381LX471M200J022 | 0.423 | 0.190 | 1.40 | 2.00 | 25 x 30 |
| 470 | 381LX471M200K012 | 0.353 | 0.159 | 1.40 | 2.00 | 30 x 25 |
| 560 | 381LX561M200H042 | 0.355 | 0.160 | 1.50 | 2.10 | 22 x 40 |
| 560 | 381LX561M200J022 | 0.355 | 0.160 | 1.50 | 2.10 | 25 x 30 |
| 560 | 381LX561M200K012 | 0.355 | 0.160 | 1.50 | 2.10 | 30 x 25 |
| 680 | 381LX681M200H452 | 0.293 | 0.132 | 1.70 | 2.40 | 22 x 45 |
| 680 | 381LX681M200J032 | 0.293 | 0.132 | 1.70 | 2.40 | 25 x 35 |
| 680 | 381LX681M200K022 | 0.244 | 0.110 | 1.70 | 2.40 | 30 x 30 |
| 820 | 381LX821M200J452 | 0.263 | 0.118 | 2.00 | 2.80 | 25 x 45 |
| 820 | 381LX821M200K022 | 0.263 | 0.118 | 2.00 | 2.80 | 30 x 30 |
| 820 | 381LX821M200A012 | 0.263 | 0.118 | 2.00 | 2.80 | 35 x 25 |
| 1000 | 381LX102M200J052 | 0.216 | 0.108 | 2.20 | 3.10 | 25 x 50 |
| 1000 | 381LX102M200K032 | 0.216 | 0.108 | 2.20 | 3.10 | 30 x 35 |
| 1000 | 381LX102M200A022 | 0.216 | 0.108 | 2.20 | 3.10 | 35 x 30 |

| Cap. µF | Catalog Part Number | Max ESR Ω @ 25 °C | | Ripple Amps Max @ 105 °C | | Nominal Size D x L (mm) |
|--------------------------------|---------------------|----------------------|--------|-----------------------------|--------|-------------------------------|
| | | 120 Hz | 20 kHz | 120 Hz | 20 kHz | |
| 1200 | 381LX122M200K042 | 0.193 | 0.097 | 2.30 | 3.20 | 30 x 40 |
| 1200 | 381LX122M200A032 | 0.193 | 0.097 | 2.30 | 3.20 | 35 x 35 |
| 1500 | 381LX152M200K052 | 0.155 | 0.077 | 2.50 | 3.50 | 30 x 50 |
| 1500 | 381LX152M200A042 | 0.155 | 0.077 | 2.50 | 3.50 | 35 x 40 |
| 1800 | 381LX182M200A452 | 0.129 | 0.077 | 2.70 | 3.80 | 35 x 45 |
| 1800 | 381L182M200A062 | 0.055 | 0.028 | 3.20 | 4.50 | 35 x 63 |
| 1800 | 383LX182M200N042 | 0.129 | 0.077 | 2.70 | 3.78 | 40 x 40 |
| 1800 | 383L182M200N052 | 0.063 | 0.033 | 3.00 | 4.10 | 40 x 50 |
| 2200 | 381LX222M200A052 | 0.105 | 0.063 | 2.90 | 4.00 | 35 x 50 |
| 2200 | 381L222M200A082 | 0.042 | 0.021 | 4.10 | 5.80 | 35 x 80 |
| 2200 | 383L222M200N062 | 0.051 | 0.027 | 3.60 | 4.90 | 40 x 63 |
| 2700 | 381LX272M200A062 | 0.080 | 0.047 | 3.65 | 5.11 | 35 x 63 |
| 2700 | 383LX272M200N052 | 0.086 | 0.052 | 3.55 | 4.97 | 40 x 50 |
| 2700 | 383L272M200N082 | 0.032 | 0.018 | 4.60 | 6.20 | 40 x 80 |
| 3300 | 381LX332M200A082 | 0.065 | 0.039 | 4.50 | 6.33 | 35 x 80 |
| 3300 | 383LX332M200N062 | 0.700 | 0.040 | 4.40 | 6.20 | 40 x 63 |
| 3300 | 383LX332M200B052V | 0.075 | 0.045 | 5.20 | 7.28 | 50 x 50 |
| 3900 | 383LX392M200B062V | 0.064 | 0.038 | 5.90 | 8.26 | 50 x 63 |
| 4700 | 381LX472M200A102 | 0.046 | 0.028 | 5.70 | 7.98 | 35 x 105 |
| 4700 | 383LX472M200N082 | 0.050 | 0.030 | 5.75 | 8.10 | 40 x 80 |
| 4700 | 383LX472M200B082V | 0.053 | 0.032 | 6.82 | 9.55 | 50 x 80 |
| 5600 | 383LX562M200N102 | 0.041 | 0.025 | 6.76 | 9.46 | 40 x 105 |
| 5600 | 383LX562M200B092V | 0.044 | 0.027 | 7.68 | 10.75 | 50 x 92 |
| 6800 | 383LX682M200B102V | 0.034 | 0.020 | 8.71 | 12.19 | 50 x 105 |
| 250 Vdc (300 Vdc Surge) | | | | | | |
| 68 | 381LX680M250H202 | 2.926 | 1.493 | .40 | .60 | 22 x 20 |
| 68 | 381LX680M250H012 | 2.440 | 1.220 | .40 | .60 | 22 x 25 |
| 100 | 381LX101M250H012 | 1.660 | 0.830 | .55 | .78 | 22 x 25 |
| 100 | 381LX101M250J202 | 1.989 | 1.015 | .50 | .70 | 25 x 20 |
| 150 | 381LX151M250H012 | 1.330 | 0.660 | .65 | .90 | 22 x 25 |
| 150 | 381LX151M250K202 | 1.110 | 0.553 | .75 | 1.05 | 30 x 20 |
| 180 | 381LX181M250H012 | 0.921 | 0.461 | .90 | 1.26 | 22 x 25 |
| 220 | 381LX221M250H022 | 0.754 | 0.377 | 1.00 | 1.40 | 22 x 30 |
| 220 | 381LX221M250J012 | 0.754 | 0.377 | 1.00 | 1.40 | 25 x 25 |
| 220 | 381LX221M250A202 | 0.904 | 0.452 | .90 | 1.20 | 35 x 20 |
| 270 | 381LX271M250H032 | 0.614 | 0.307 | 1.10 | 1.50 | 22 x 35 |
| 270 | 381LX271M250J022 | 0.614 | 0.307 | 1.10 | 1.50 | 25 x 30 |
| 270 | 381LX271M250K012 | 0.614 | 0.307 | 1.10 | 1.50 | 30 x 25 |
| 330 | 381LX331M250H042 | 0.502 | 0.251 | 1.20 | 1.70 | 22 x 40 |
| 330 | 381LX331M250J022 | 0.502 | 0.251 | 1.20 | 1.70 | 25 x 30 |
| 330 | 381LX331M250K012 | 0.502 | 0.251 | 1.20 | 1.70 | 30 x 25 |
| 390 | 381LX391M250H452 | 0.425 | 0.213 | 1.30 | 1.80 | 22 x 45 |
| 390 | 381LX391M250J032 | 0.425 | 0.213 | 1.30 | 1.80 | 25 x 35 |
| 390 | 381LX391M250K012 | 0.425 | 0.213 | 1.30 | 1.80 | 30 x 25 |
| 470 | 381LX471M250H052 | 0.353 | 0.176 | 1.40 | 2.00 | 22 x 50 |

Type 381LX / 383LX 105 °C High Ripple, Snap-In Aluminum

High Ripple, Long Life, 2,4 and 5 pin styles available

| Cap. µF | Catalog Part Number | Max ESR Ω @ 25 °C | | Ripple Amps Max @ 105 °C | | Nominal Size | D x L (mm) |
|--------------------------------|---------------------|----------------------|--------|-----------------------------|--------|-----------------|------------|
| | | 120 Hz | 20 kHz | 120 Hz | 20 kHz | | |
| 250 Vdc (300 Vdc Surge) | | | | | | | |
| 470 | 381LX471M250J042 | 0.353 | 0.176 | 1.40 | 2.00 | 25 x 40 | |
| 470 | 381LX471M250K022 | 0.353 | 0.176 | 1.40 | 2.00 | 30 x 30 | |
| 560 | 381LX561M250J452 | 0.296 | 0.148 | 1.50 | 2.10 | 25 x 45 | |
| 560 | 381LX561M250K032 | 0.296 | 0.148 | 1.50 | 2.10 | 30 x 35 | |
| 560 | 381LX561M250A012 | 0.296 | 0.148 | 1.50 | 2.10 | 35 x 25 | |
| 680 | 381LX681M250J052 | 0.244 | 0.134 | 1.70 | 2.38 | 25 x 50 | |
| 680 | 381LX681M250K042 | 0.244 | 0.134 | 1.70 | 2.38 | 30 x 40 | |
| 680 | 381LX681M250A022 | 0.244 | 0.134 | 1.70 | 2.38 | 35 x 30 | |
| 680 | 381L681M250A052 | 0.293 | 0.149 | 1.80 | 2.50 | 35 x 50 | |
| 820 | 381LX821M250K452 | 0.202 | 0.111 | 2.00 | 2.80 | 30 x 45 | |
| 820 | 381LX821M250A032 | 0.202 | 0.111 | 2.00 | 2.80 | 35 x 35 | |
| 1000 | 381LX102M250K052 | 0.199 | 0.109 | 2.20 | 3.10 | 30 x 50 | |
| 1000 | 381LX102M250A042 | 0.199 | 0.109 | 2.20 | 3.10 | 35 x 40 | |
| 1200 | 381LX122M250A452 | 0.166 | 0.099 | 2.30 | 3.20 | 35 x 45 | |
| 1200 | 383LX122M250N042 | 0.180 | 0.117 | 2.66 | 3.72 | 40 x 40 | |
| 1200 | 383L122M250N052 | 0.081 | 0.031 | 2.60 | 4.30 | 40 x 50 | |
| 1500 | 381LX152M250A052 | 0.144 | 0.093 | 2.50 | 3.50 | 35 x 50 | |
| 1500 | 381L152M250A072 | 0.066 | 0.021 | 3.10 | 5.50 | 35 x 70 | |
| 1800 | 381L182M250A082 | 0.057 | 0.018 | 3.60 | 6.30 | 35 x 80 | |
| 1800 | 383LX182M250N052 | 0.120 | 0.078 | 3.25 | 4.55 | 40 x 50 | |
| 1800 | 383L182M250N062 | 0.066 | 0.025 | 3.10 | 5.10 | 40 x 63 | |
| 2200 | 381LX222M250A082 | 0.096 | 0.064 | 3.75 | 5.25 | 35 x 80 | |
| 2200 | 383LX222M250N062 | 0.098 | 0.064 | 3.70 | 5.15 | 40 x 63 | |
| 2200 | 383L222M250N082 | 0.043 | 0.017 | 4.00 | 6.40 | 40 x 80 | |
| 2200 | 383LX222M250B052V | 0.098 | 0.064 | 4.35 | 6.09 | 50 x 50 | |
| 2700 | 381LX272M250A102 | 0.080 | 0.052 | 4.80 | 6.72 | 35 x 105 | |
| 2700 | 383LX272M250N082 | 0.092 | 0.047 | 3.10 | 4.30 | 40 x 80 | |
| 2700 | 383LX272M250B062V | 0.080 | 0.052 | 4.98 | 6.97 | 50 x 63 | |
| 3300 | 383LX332M250N082 | 0.065 | 0.042 | 4.86 | 6.80 | 40 x 80 | |
| 3900 | 383LX392M250N102 | 0.055 | 0.036 | 5.61 | 7.85 | 40 x 105 | |
| 3900 | 383LX392M250B082V | 0.055 | 0.036 | 6.10 | 8.54 | 50 x 80 | |
| 4300 | 383LX432M250B092V | 0.050 | 0.033 | 6.67 | 9.34 | 50 x 92 | |
| 4700 | 383LX472M250B102V | 0.046 | 0.030 | 7.03 | 9.84 | 50 x 105 | |
| 315 Vdc (365 Vdc Surge) | | | | | | | |
| 82 | 381LX820M315H012 | 2.426 | 1.238 | .60 | .90 | 22 x 25 | |
| 100 | 381LX101M315H022 | 1.989 | 1.015 | .70 | 1.00 | 22 x 30 | |
| 120 | 381LX121M315H022 | 1.658 | 0.846 | .80 | 1.10 | 22 x 30 | |
| 120 | 381LX121M315J012 | 1.658 | 0.846 | .80 | 1.10 | 25 x 25 | |
| 150 | 381LX151M315H032 | 1.326 | 0.677 | .80 | 1.10 | 22 x 35 | |
| 150 | 381LX151M315J022 | 1.326 | 0.677 | .80 | 1.10 | 25 x 30 | |
| 150 | 381LX151M315K012 | 1.326 | 0.677 | .80 | 1.10 | 30 x 25 | |
| 180 | 381LX181M315H042 | 1.105 | 0.564 | .90 | 1.30 | 22 x 40 | |
| 180 | 381LX181M315J022 | 1.105 | 0.564 | .90 | 1.30 | 25 x 30 | |
| 180 | 381LX181M315J032 | 1.105 | 0.564 | .90 | 1.30 | 25 x 35 | |
| 350 Vdc (400 Vdc Surge) | | | | | | | |
| 82 | 381LX820M350H012 | 2.426 | 1.238 | .60 | .90 | 22 x 25 | |
| 100 | 381LX101M350H022 | 1.989 | 1.015 | .70 | 1.00 | 22 x 30 | |
| 100 | 381LX101M350J012 | 1.989 | 1.015 | .70 | 1.00 | 25 x 25 | |
| 120 | 381LX121M350H022 | 1.658 | 0.846 | .80 | 1.10 | 22 x 30 | |
| 120 | 381LX121M350J012 | 1.658 | 0.846 | .80 | 1.10 | 25 x 25 | |
| 150 | 381LX151M350H032 | 1.326 | 0.677 | .80 | 1.10 | 22 x 35 | |
| 150 | 381LX151M350J022 | 1.326 | 0.677 | .80 | 1.10 | 25 x 30 | |
| 150 | 381LX151M350K012 | 1.326 | 0.677 | .80 | 1.10 | 30 x 25 | |

Type 381LX / 383LX 105 °C High Ripple, Snap-In Aluminum

High Ripple, Long Life, 2,4 and 5 pin styles available

| Cap. µF | Catalog Part Number | Max ESR Ω @ 25 °C | | Ripple Amps Max @ 105 °C | | Nominal Size |
|--------------------------------|---------------------|----------------------|--------|-----------------------------|--------|-----------------|
| | | 120 Hz | 20 kHz | 120 Hz | 20 kHz | |
| 350 Vdc (400 Vdc Surge) | | | | | | |
| 180 | 381LX181M350H042 | 1.105 | 0.564 | .90 | 1.30 | 22 x 40 |
| 180 | 381LX181M350J022 | 1.105 | 0.564 | .90 | 1.30 | 25 x 30 |
| 180 | 381LX181M350K012 | 1.105 | 0.564 | .90 | 1.30 | 30 x 25 |
| 220 | 381LX221M350H452 | 0.904 | 0.461 | 1.00 | 1.40 | 22 x 45 |
| 220 | 381LX221M350J032 | 0.904 | 0.461 | 1.00 | 1.40 | 25 x 35 |
| 220 | 381LX221M350K022 | 0.904 | 0.461 | 1.00 | 1.40 | 30 x 30 |
| 270 | 381LX271M350J452 | 0.737 | 0.376 | 1.10 | 1.50 | 25 x 45 |
| 270 | 381LX271M350K022 | 0.737 | 0.376 | 1.10 | 1.50 | 30 x 30 |
| 270 | 381LX271M350A012 | 0.737 | 0.376 | 1.10 | 1.50 | 35 x 25 |
| 330 | 381LX331M350J052 | 0.603 | 0.308 | 1.20 | 1.70 | 25 x 50 |
| 330 | 381LX331M350K042 | 0.603 | 0.308 | 1.20 | 1.70 | 30 x 40 |
| 330 | 381LX331M350A022 | 0.603 | 0.308 | 1.20 | 1.70 | 35 x 30 |
| 390 | 381LX391M350K452 | 0.510 | 0.260 | 1.30 | 1.80 | 30 x 45 |
| 390 | 381LX391M350A022 | 0.510 | 0.260 | 1.30 | 1.80 | 35 x 30 |
| 470 | 381LX471M350K052 | 0.423 | 0.216 | 1.40 | 2.00 | 30 x 50 |
| 470 | 381LX471M350A042 | 0.423 | 0.216 | 1.40 | 2.00 | 35 x 40 |
| 560 | 381LX561M350A452 | 0.355 | 0.181 | 1.50 | 2.10 | 35 x 45 |
| 560 | 383L561M350N042 | 0.299 | 0.205 | 1.30 | 1.50 | 40 x 40 |
| 680 | 381LX681M350A052 | 0.293 | 0.149 | 1.70 | 2.40 | 35 x 50 |
| 680 | 383LX681M350N042 | 0.317 | 0.127 | 2.30 | 3.22 | 40 x 40 |
| 820 | 381LX821M350A062 | 0.303 | 0.155 | 2.70 | 3.70 | 35 x 63 |
| 820 | 383LX821M350N052 | 0.303 | 0.155 | 2.70 | 3.70 | 40 x 50 |
| 1000 | 381L102M350A072 | 0.173 | 0.117 | 1.90 | 2.30 | 35 x 70 |
| 1000 | 383L102M350N062 | 0.170 | 0.117 | 2.00 | 2.40 | 40 x 63 |
| 1000 | 383LX102M350B052V | 0.216 | 0.066 | 3.56 | 4.96 | 50 x 50 |
| 1200 | 381LX122M350A082 | 0.207 | 0.106 | 3.20 | 4.50 | 35 x 80 |
| 1200 | 383LX122M350N062 | 0.207 | 0.106 | 3.20 | 4.50 | 40 x 63 |
| 1500 | 381LX152M350A102 | 0.144 | 0.057 | 4.78 | 6.69 | 35 x 105 |
| 1500 | 383LX152M350N082 | 0.166 | 0.085 | 3.80 | 5.25 | 40 x 80 |
| 1500 | 383LX152M350B062V | 0.144 | 0.057 | 4.16 | 5.82 | 50 x 63 |
| 1800 | 383LX182M350N102 | 0.120 | 0.048 | 5.23 | 7.32 | 40 x 105 |
| 1800 | 383LX182M350B082V | 0.120 | 0.048 | 5.69 | 7.97 | 50 x 80 |
| 2000 | 383LX202M350B092V | 0.108 | 0.043 | 6.34 | 8.88 | 50 x 92 |
| 2200 | 383LX222M350B102V | 0.098 | 0.039 | 6.60 | 9.30 | 50 x 105 |
| 400 Vdc (450 Vdc Surge) | | | | | | |
| 33 | 381LX330M400H202 | 5.024 | 1.760 | .20 | .30 | 22 x 20 |
| 33 | 381LX330M400H012 | 4.500 | 1.600 | .30 | .42 | 22 x 25 |
| 47 | 381LX470M400H012 | 2.800 | 1.000 | .43 | .60 | 22 x 25 |
| 47 | 381LX470M400J202 | 3.530 | 1.240 | .30 | .40 | 25 x 20 |
| 56 | 381LX560M400H012 | 2.360 | 0.830 | .50 | .70 | 22 x 25 |
| 68 | 381LX680M400H022 | 1.950 | 0.683 | .60 | .80 | 22 x 30 |
| 68 | 381LX680M400J012 | 1.950 | 0.683 | .60 | .80 | 25 x 25 |
| 68 | 381LX680M400K202 | 2.440 | 0.853 | .40 | .50 | 30 x 20 |
| 82 | 381LX820M400H022 | 2.022 | 0.710 | .60 | .90 | 22 x 30 |

| Cap. µF | Catalog Part Number | Max ESR Ω @ 25 °C | | Ripple Amps Max @ 105 °C | | Nominal Size |
|--------------------------------|---------------------|----------------------|--------|-----------------------------|--------|-----------------|
| | | 120 Hz | 20 kHz | 120 Hz | 20 kHz | |
| 82 | 381LX820M400J012 | 2.022 | 0.710 | .60 | .90 | 25 x 25 |
| 100 | 381LX101M400H022 | 1.658 | 0.580 | .70 | 1.00 | 22 x 30 |
| 100 | 381LX101M400J012 | 1.658 | 0.580 | .70 | 1.00 | 25 x 25 |
| 100 | 381LX101M400A202 | 1.658 | 0.580 | .50 | .70 | 35 x 20 |
| 120 | 381LX121M400H032 | 1.380 | 0.484 | .80 | 1.10 | 22 x 35 |
| 120 | 381LX121M400J022 | 1.380 | 0.484 | .80 | 1.10 | 25 x 30 |
| 120 | 381LX121M400K012 | 1.110 | 0.387 | .80 | 1.10 | 30 x 25 |
| 150 | 381LX151M400H042 | 1.110 | 0.387 | .80 | 1.10 | 22 x 40 |
| 150 | 381LX151M400J022 | 1.110 | 0.387 | .80 | 1.10 | 25 x 30 |
| 150 | 381LX151M400K012 | 1.110 | 0.387 | .80 | 1.10 | 30 x 25 |
| 180 | 381LX181M400H452 | 0.921 | 0.322 | .90 | 1.30 | 22 x 45 |
| 180 | 381LX181M400J032 | 0.921 | 0.322 | .90 | 1.30 | 25 x 35 |
| 180 | 381LX181M400K022 | 0.921 | 0.322 | .90 | 1.30 | 30 x 30 |
| 180 | 381LX181M400A012 | 0.737 | 0.258 | .90 | 1.30 | 35 x 25 |
| 220 | 381LX221M400J452 | 0.754 | 0.264 | 1.10 | 1.50 | 25 x 45 |
| 220 | 381LX221M400K022 | 0.754 | 0.264 | 1.10 | 1.50 | 30 x 30 |
| 220 | 381LX221M400A012 | 0.754 | 0.264 | 1.10 | 1.50 | 35 x 25 |
| 270 | 381LX271M400J052 | 0.614 | 0.215 | 1.20 | 1.70 | 25 x 50 |
| 270 | 381LX271M400K032 | 0.614 | 0.215 | 1.20 | 1.70 | 30 x 35 |
| 270 | 381LX271M400A022 | 0.614 | 0.215 | 1.20 | 1.70 | 35 x 30 |
| 330 | 381LX331M400K452 | 0.502 | 0.201 | 1.40 | 1.90 | 30 x 45 |
| 330 | 381LX331M400A032 | 0.502 | 0.201 | 1.40 | 1.90 | 35 x 35 |
| 390 | 381LX391M400K052 | 0.425 | 0.170 | 1.55 | 2.20 | 30 x 50 |
| 390 | 381LX391M400A042 | 0.425 | 0.170 | 1.55 | 2.20 | 35 x 40 |
| 470 | 381LX471M400A452 | 0.353 | 0.141 | 1.80 | 2.50 | 35 x 45 |
| 470 | 383LX471M400N042 | 0.353 | 0.141 | 1.80 | 2.50 | 40 x 40 |
| 560 | 381LX561M400A052 | 0.296 | 0.118 | 1.80 | 2.50 | 35 x 50 |
| 680 | 383LX681M400N052 | 0.244 | 0.098 | 2.20 | 3.00 | 40 x 50 |
| 820 | 381LX821M400A062 | 0.202 | 0.081 | 2.44 | 3.42 | 35 x 63 |
| 820 | 383LX821M400B052V | 0.202 | 0.081 | 3.20 | 4.40 | 50 x 50 |
| 1000 | 381LX102M400A082 | 0.202 | 0.081 | 3.00 | 4.20 | 35 x 80 |
| 1000 | 383LX102M400N062 | 0.202 | 0.081 | 3.00 | 4.20 | 40 x 63 |
| 1200 | 381LX122M400A102 | 0.138 | 0.055 | 3.80 | 5.30 | 35 x 105 |
| 1200 | 383LX122M400N082 | 0.138 | 0.055 | 3.80 | 5.30 | 40 x 80 |
| 1200 | 383LX122M400B062V | 0.152 | 0.061 | 4.20 | 5.90 | 50 x 63 |
| 1500 | 383LX152M400N102 | 0.111 | 0.044 | 4.80 | 6.70 | 40 x 105 |
| 1500 | 383LX152M400B082V | 0.122 | 0.049 | 5.20 | 7.30 | 50 x 80 |
| 1600 | 383LX162M400B092V | 0.114 | 0.046 | 5.60 | 8.00 | 50 x 92 |
| 1800 | 383LX182M400B102V | 0.101 | 0.041 | 6.48 | 9.10 | 50 x 105 |
| 420 Vdc (470 Vdc Surge) | | | | | | |
| 100 | 381LX101M420H022 | 1.820 | 0.820 | .65 | .90 | 22 x 30 |
| 100 | 381LX101M420J012 | 1.820 | 0.820 | .65 | .90 | 25 x 25 |
| 120 | 381LX121M420H032 | 1.500 | 0.680 | .70 | 1.00 | 22 x 35 |
| 120 | 381LX121M420J022 | 1.500 | 0.680 | .70 | 1.00 | 25 x 30 |
| 150 | 381LX151M420H042 | 1.220 | 0.550 | .80 | 1.10 | 22 x 40 |

Type 381LX / 383LX 105 °C High Ripple, Snap-In Aluminum

High Ripple, Long Life, 2,4 and 5 pin styles available

| Cap. μF | Catalog Part Number | Max ESR Ω @ 25 °C | | Ripple Amps Max @ 105 °C | | Nominal Size D x L (mm) |
|--------------------------------|---------------------|----------------------|--------|-----------------------------|--------|-------------------------------|
| | | 120 Hz | 20 kHz | 120 Hz | 20 kHz | |
| 420 Vdc (470 Vdc Surge) | | | | | | |
| 150 | 381LX151M420J022 | 1.220 | 0.550 | .80 | 1.10 | 25 x 30 |
| 150 | 381LX151M420K012 | 1.220 | 0.550 | .80 | 1.10 | 30 x 25 |
| 180 | 381LX181M420H452 | 1.000 | 0.450 | .88 | 1.20 | 22 x 45 |
| 180 | 381LX181M420J042 | 1.000 | 0.450 | .88 | 1.20 | 25 x 40 |
| 180 | 381LX181M420K022 | 1.000 | 0.450 | .88 | 1.20 | 30 x 30 |
| 220 | 381LX221M420J452 | 0.750 | 0.260 | 1.10 | 1.50 | 25 x 45 |
| 220 | 381LX221M420K022 | 0.750 | 0.260 | 1.10 | 1.50 | 30 x 30 |
| 220 | 381LX221M420A012 | 0.750 | 0.260 | 1.10 | 1.50 | 35 x 25 |
| 270 | 381LX271M420J052 | 0.610 | 0.210 | 1.20 | 1.70 | 25 x 50 |
| 270 | 381LX271M420K032 | 0.610 | 0.210 | 1.20 | 1.70 | 30 x 35 |
| 270 | 381LX271M420A022 | 0.610 | 0.210 | 1.20 | 1.70 | 35 x 30 |
| 330 | 381LX331M420K452 | 0.500 | 0.200 | 1.35 | 1.90 | 30 x 45 |
| 330 | 381LX331M420A032 | 0.502 | 0.200 | 1.35 | 1.90 | 35 x 35 |
| 390 | 381LX391M420K052 | 0.420 | 0.170 | 1.55 | 2.18 | 30 x 50 |
| 390 | 381LX391M420A042 | 0.420 | 0.170 | 1.55 | 2.18 | 35 x 40 |
| 470 | 381LX471M420A452 | 0.350 | 0.141 | 1.75 | 2.45 | 35 x 45 |
| 470 | 383LX471M420N042 | 0.350 | 0.141 | 1.78 | 2.45 | 40 x 40 |
| 560 | 381LX561M420A052 | 0.300 | 0.120 | 1.80 | 2.50 | 35 x 50 |
| 680 | 383LX681M420N052 | 0.250 | 0.100 | 2.10 | 2.95 | 40 x 50 |
| 450 Vdc (500 Vdc Surge) | | | | | | |
| 56 | 381LX560M450H012 | 2.366 | 0.947 | .40 | .56 | 22 x 25 |
| 68 | 381LX680M450H022 | 1.950 | 0.780 | .50 | .70 | 22 x 30 |
| 68 | 381LX680M450J012 | 1.950 | 0.780 | .50 | .70 | 25 x 25 |
| 82 | 381LX820M450H022 | 3.235 | 1.651 | .60 | .80 | 22 x 30 |
| 82 | 381LX820M450J012 | 2.022 | 0.708 | .56 | .78 | 25 x 25 |
| 100 | 381LX101M450H032 | 1.660 | 0.580 | .65 | .90 | 22 x 35 |
| 100 | 381LX101M450J022 | 1.660 | 0.580 | .65 | .90 | 25 x 30 |
| 100 | 381LX101M450K012 | 1.660 | 0.580 | .65 | .90 | 30 x 25 |
| 120 | 381LX121M450H042 | 1.382 | 0.484 | .70 | 1.00 | 22 x 40 |
| 120 | 381LX121M450J032 | 1.382 | 0.484 | .70 | 1.00 | 25 x 35 |

| Cap. μF | Catalog Part Number | Max ESR Ω @ 25 °C | | Ripple Amps Max @ 105 °C | | Nominal Size D x L (mm) |
|------------|---------------------|----------------------|--------|-----------------------------|--------|-------------------------------|
| | | 120 Hz | 20 kHz | 120 Hz | 20 kHz | |
| 120 | 381LX121M450K012 | 1.382 | 0.484 | .70 | 1.00 | 30 x 25 |
| 150 | 381LX151M450H052 | 1.100 | 0.390 | .80 | 1.10 | 22 x 50 |
| 150 | 381LX151M450J042 | 1.100 | 0.390 | .80 | 1.10 | 25 x 40 |
| 150 | 381LX151M450K022 | 1.100 | 0.390 | .80 | 1.10 | 30 x 30 |
| 150 | 381LX151M450A012 | 1.100 | 0.390 | .80 | 1.10 | 35 x 25 |
| 180 | 381LX181M450J452 | 0.920 | 0.320 | .90 | 1.20 | 25 x 45 |
| 180 | 381LX181M450K032 | 0.920 | 0.320 | .90 | 1.20 | 30 x 35 |
| 220 | 381LX221M450J052 | 0.750 | 0.260 | 1.00 | 1.40 | 25 x 50 |
| 220 | 381LX221M450K042 | 0.750 | 0.260 | 1.00 | 1.40 | 30 x 40 |
| 220 | 381LX221M450A022 | 0.750 | 0.260 | 1.00 | 1.40 | 35 x 30 |
| 270 | 381LX271M450K452 | 0.614 | 0.246 | 1.20 | 1.70 | 30 x 45 |
| 270 | 381LX271M450A032 | 0.614 | 0.246 | 1.20 | 1.70 | 35 x 35 |
| 330 | 381LX331M450K052 | 0.502 | 0.201 | 1.40 | 1.90 | 30 x 50 |
| 330 | 381LX331M450A042 | 0.502 | 0.176 | 1.40 | 1.90 | 35 x 40 |
| 390 | 381LX391M450A452 | 0.425 | 0.150 | 1.60 | 2.20 | 35 x 45 |
| 390 | 383LX391M450N042 | 0.425 | 0.170 | 1.68 | 2.35 | 40 x 40 |
| 470 | 381LX471M450A052 | 0.353 | 0.123 | 1.70 | 2.40 | 35 x 50 |
| 470 | 383LX471M450N042 | 0.350 | 0.140 | 1.75 | 2.45 | 40 x 40 |
| 560 | 381LX561M450A062 | 0.296 | 0.104 | 2.20 | 3.00 | 35 x 70 |
| 560 | 383LX561M450N052 | 0.296 | 0.104 | 2.20 | 3.00 | 40 x 50 |
| 680 | 383L681M450A082 | 0.188 | 0.124 | 2.00 | 2.50 | 35 x 80 |
| 680 | 383LX681M450N062 | 0.244 | 0.085 | 2.50 | 3.50 | 40 x 63 |
| 680 | 383LX681M450B052V | 0.244 | 0.085 | 2.90 | 4.06 | 50 x 50 |
| 820 | 383LX821M450A082 | 0.202 | 0.071 | 2.70 | 3.80 | 35 x 80 |
| 820 | 383LX821M450B062V | 0.222 | 0.078 | 3.42 | 4.79 | 50 x 63 |
| 1000 | 381LX102M450A102 | 0.166 | 0.058 | 3.47 | 4.86 | 35 x 105 |
| 1000 | 383LX102M450N082 | 0.166 | 0.058 | 3.50 | 4.90 | 40 x 80 |
| 1200 | 383LX122M450N102 | 0.138 | 0.048 | 4.33 | 6.06 | 40 x 105 |
| 1200 | 383LX122M450B082V | 0.152 | 0.053 | 4.70 | 6.58 | 50 x 80 |
| 1300 | 383LX132M450B092V | 0.140 | 0.049 | 5.16 | 7.25 | 50 x 92 |
| 1500 | 383LX152M450B102V | 0.122 | 0.043 | 6.03 | 8.44 | 50 x 105 |

Компания «Океан Электроники» предлагает заключение долгосрочных отношений при поставках импортных электронных компонентов на взаимовыгодных условиях!

Наши преимущества:

- Поставка оригинальных импортных электронных компонентов напрямую с производств Америки, Европы и Азии, а так же с крупнейших складов мира;
- Широкая линейка поставок активных и пассивных импортных электронных компонентов (более 30 млн. наименований);
- Поставка сложных, дефицитных, либо снятых с производства позиций;
- Оперативные сроки поставки под заказ (от 5 рабочих дней);
- Экспресс доставка в любую точку России;
- Помощь Конструкторского Отдела и консультации квалифицированных инженеров;
- Техническая поддержка проекта, помощь в подборе аналогов, поставка прототипов;
- Поставка электронных компонентов под контролем ВП;
- Система менеджмента качества сертифицирована по Международному стандарту ISO 9001;
- При необходимости вся продукция военного и аэрокосмического назначения проходит испытания и сертификацию в лаборатории (по согласованию с заказчиком);
- Поставка специализированных компонентов военного и аэрокосмического уровня качества (Xilinx, Altera, Analog Devices, Intersil, Interpoint, Microsemi, Actel, Aeroflex, Peregrine, VPT, Syfer, Eurofarad, Texas Instruments, MS Kennedy, Miteq, Cobham, E2V, MA-COM, Hittite, Mini-Circuits, General Dynamics и др.);

Компания «Океан Электроники» является официальным дистрибьютором и эксклюзивным представителем в России одного из крупнейших производителей разъемов военного и аэрокосмического назначения «JONHON», а так же официальным дистрибьютором и эксклюзивным представителем в России производителя высокотехнологичных и надежных решений для передачи СВЧ сигналов «FORSTAR».



JONHON

«JONHON» (основан в 1970 г.)

Разъемы специального, военного и аэрокосмического назначения:

(Применяются в военной, авиационной, аэрокосмической, морской, железнодорожной, горно- и нефтедобывающей отраслях промышленности)

«FORSTAR» (основан в 1998 г.)

ВЧ соединители, коаксиальные кабели,
кабельные сборки и микроволновые компоненты:

(Применяются в телекоммуникациях гражданского и специального назначения, в средствах связи, РЛС, а так же военной, авиационной и аэрокосмической отраслях промышленности).



Телефон: 8 (812) 309-75-97 (многоканальный)

Факс: 8 (812) 320-03-32

Электронная почта: ocean@oceanchips.ru

Web: <http://oceanchips.ru/>

Адрес: 198099, г. Санкт-Петербург, ул. Калинина, д. 2, корп. 4, лит. А