

1A Low Dropout Positive Voltage Regulator

DESCRIPTION

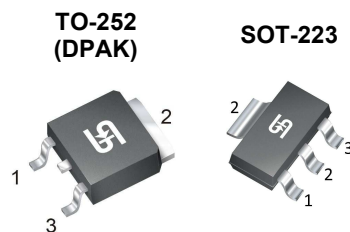
TS1117B are high performance positive voltage regulators designed for use in applications requiring low dropout performance at full rated current. Additionally, TS1117B provides excellent regulation over variations due to changes in line, load and temperature. Outstanding features include low dropout performance at rated current, fast transient response, internal current limiting and thermal shutdown protection of the output device. TS1117B are three terminal regulators with fixed and adjustable voltage options available in popular packages.

FEATURES

- Low Dropout Performance 1.5V max.
- Fast Transient Response
- Built-in thermal shutdown
- Output Current Limit
- Line Regulation Typical 0.2%
- Load Regulation Typical 0.05%
- Low-ESR Ceramic Capacitor (MLCC) required for Stability.
- Good Ripple Rejection
- Compliant to RoHS Directive 2011/65/EU and WEEE 2002/96/EC
- Halogen-free according to IEC 61249-2-21

APPLICATION

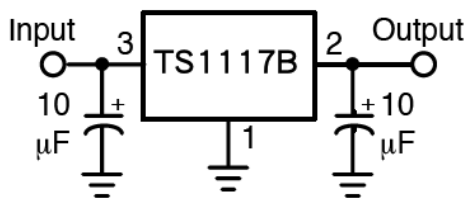
- PC peripheral
- Communication
- Consumer equipment



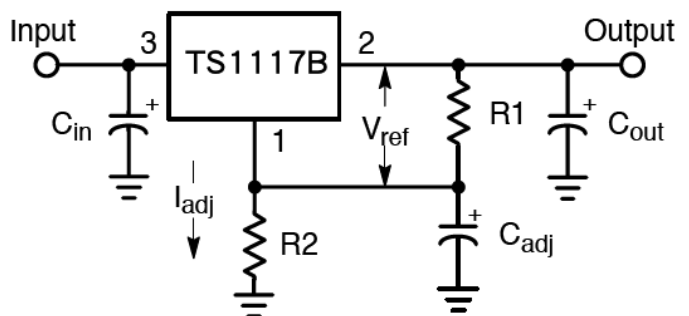
Pin Definition:
 1. Fixed / Adj
 2. Output (Tab)
 3. Input

Notes: MSL 3 (Moisture Sensitivity Level) per J-STD-020

TYPICAL APPLICATION CIRCUIT



Fixed output voltage version



Adjustable output voltage version

ABSOLUTE MAXIMUM RATINGS			
PARAMETER	SYMBOL	LIMIT	UNIT
Input Supply Voltage	V_{IN}	15	V
Recommend Operation Input Supply Voltage	$V_{IN (Opf. Typ.)}$	12	V
Power Dissipation (Note 2)	P_D	Internal limited	
Operating Temperature Range	T_{OPER}	-40 ~ +125	°C
Junction Temperature Range	T_J	+150	°C
Storage Temperature Range	T_{STG}	-65 ~ +150	°C
Lead Soldering Temperature (260°C)	TO-252	5	s
	SOT-223		

THERMAL PERFORMANCE				
PARAMETER	SYMBOL	LIMIT		UNIT
		SOT-223	TO-252	
Junction to Ambient Thermal Resistance	$R_{\theta JA}$	130	105	°C/W

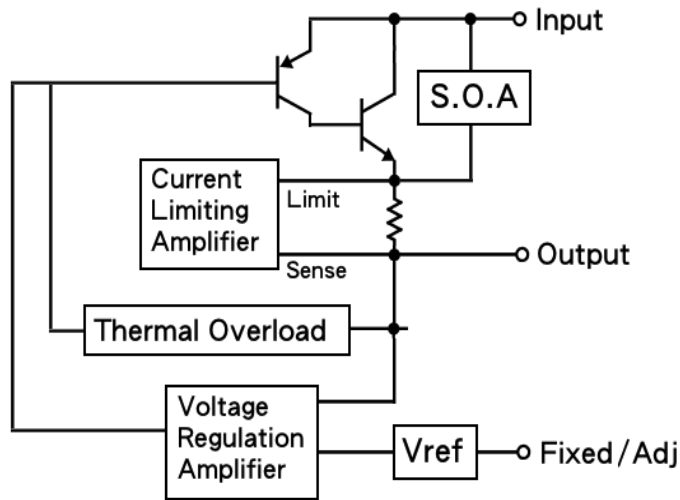
Notes: $R_{\theta JA}$ is the sum of the junction-to-case and case-to-ambient thermal resistances. The case thermal reference is defined at the solder mounting surface of the drain pins. $R_{\theta JA}$ is guaranteed by design while $R_{\theta CA}$ is determined by the user's board design. $R_{\theta JA}$ shown below for single device operation on FR-4 PCB in still air.

ELECTRICAL SPECIFICATIONS ($T_A=25^\circ\text{C}$, unless otherwise noted)						
PARAMETER	CONDITIONS	SYMBOL	MIN	TYP	MAX	UNIT
Reference Voltage	$V_{IN} = 2.75, I_O=1\text{A}$	V_{REF}	1.225	1.25	1.275	V
Output Voltage (Note 4)	$V_{IN} = 2.7\text{V}\sim 12\text{V}, I_O=1\text{A}$	V_{OUT}	1.176	1.2	1.224	V
	$V_{IN} = 3\text{V}\sim 12\text{V}, I_O=1\text{A}$		1.470	1.5	1.530	
	$V_{IN} = 4\text{V}\sim 12\text{V}, I_O=1\text{A}$		2.450	2.5	2.550	
	$V_{IN} = 4.8\text{V}\sim 12\text{V}, I_O=1\text{A}$		3.235	3.3	3.366	
	$V_{IN} = 6.5\text{V}\sim 12\text{V}, I_O=1\text{A}$		4.900	5.0	5.100	
Line Regulation	$V_O + 1.5\text{V} \leq V_{IN} \leq 12\text{V}, I_O = 10\text{mA}$	REG_{LINE}	--	0.2	0.5	%
Load Regulation (Note 1,2)	$V_{IN} = V_{OUT} + 1.5\text{V}, I_O = 10\text{mA}\sim 1\text{A}$	REG_{LOAD}	--	0.05	1.0	%
Dropout Voltage	$I_O = 1\text{A}, \Delta V_{OUT} = 1\% V_{OUT}$	V_{DROP}	--	1.3	1.5	V
Quiescent Current	$V_{IN} = 5\text{V}$	I_Q	--	5	10	mA
Adjustable Pin Current		I_{ADJ}	--	90	--	μA
Output Current Limit	$V_{IN} - V_{OUT} = 1.5\text{V}$	I_{LIMIT}	1.1	--	--	A
Temperature Stability	$I_O = 10\text{mA}$,		--	0.5	--	%
Ripple Rejection	$f = 120\text{Hz}, I_O = 1\text{A}, C_{OUT} = 25\mu\text{F},$ $V_{IN} = V_{OUT} + 3\text{V}$	RR	--	60	70	dB

Note:

1. See thermal regulation specification for changes in output voltage due to heating effects. Line and load regulation are measured at a constant junction temperature by low duty cycle pulse testing. Load regulation is measured at the output lead = 1/18" from the package.
2. Line and load regulation are guaranteed up to the maximum power dissipation of 15W. Power dissipation is determined by the input / output voltage difference and the output current. Guaranteed maximum power dissipation will not be available over the full input / output voltage range.
3. Quiescent current is defined as the minimum output current required to maintain the regulation.
4. The Output Capacitor does not have a theoretical upper limit and increasing its value will increase stability. $C_{OUT}=100\mu\text{F}$ or more is typical for high current regulator design.

FUNCTION BLOCK



ORDERING INFORMATION

OUTPUT VOLTAGE	PART NO.	PACKAGE	PACKING
ADJ	TS1117BCP ROG	TO-252 (DPAK)	2,500pcs / 13" Reel
	TS1117BCW RPG	SOT-223	2,500pcs / 13" Reel
1.2V	TS1117BCW12 RPG	SOT-223	2,500pcs / 13" Reel
2.5V	TS1117BCW25 RPG	SOT-223	2,500pcs / 13" Reel
3.3V	TS1117BCP33 ROG	TO-252 (DPAK)	2,500pcs / 13" Reel
	TS1117BCW33 RPG	SOT-223	2,500pcs / 13" Reel
5V	TS1117BCP50 ROG	TO-252 (DPAK)	2,500pcs / 13" Reel
	TS1117BCW50 RPG	SOT-223	2,500pcs / 13" Reel

CHARACTERISTICS CURVES

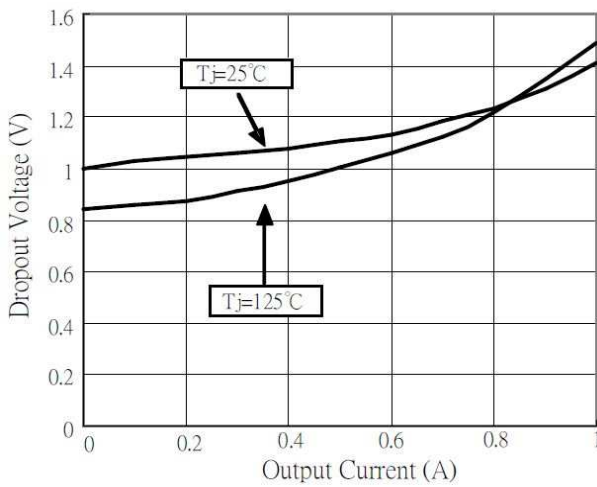


Figure 1. V_{DROD} vs. Output Current

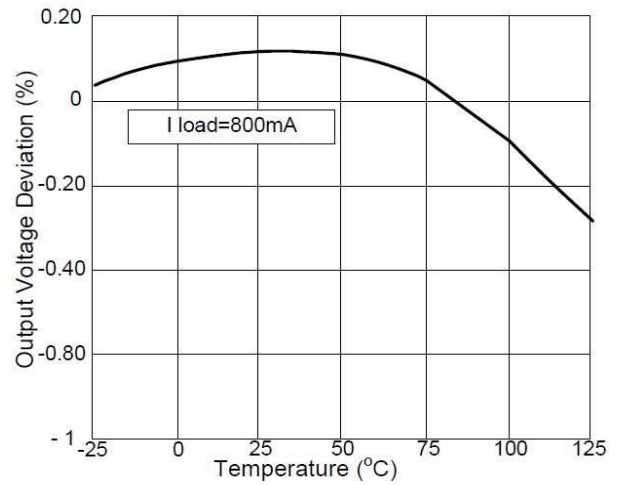


Figure 2. Load Regulation vs. Temperature

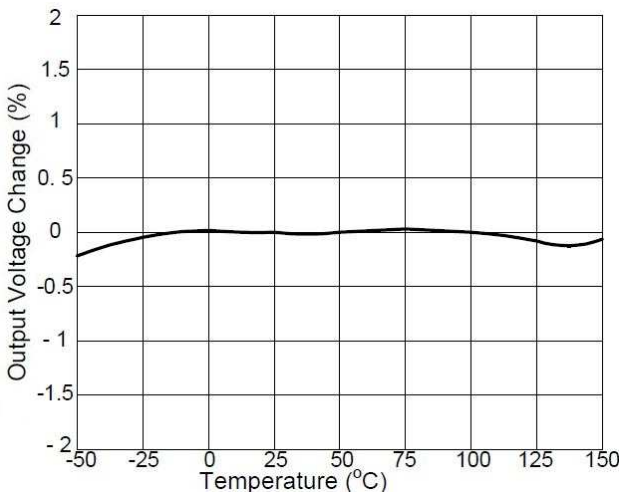


Figure 3. V_{OUT} Change vs. Temperature

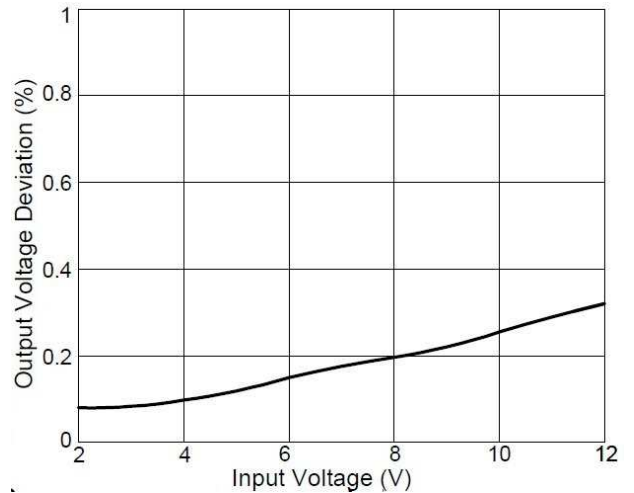


Figure 4. V_{OUT} Deviation vs. Temperature

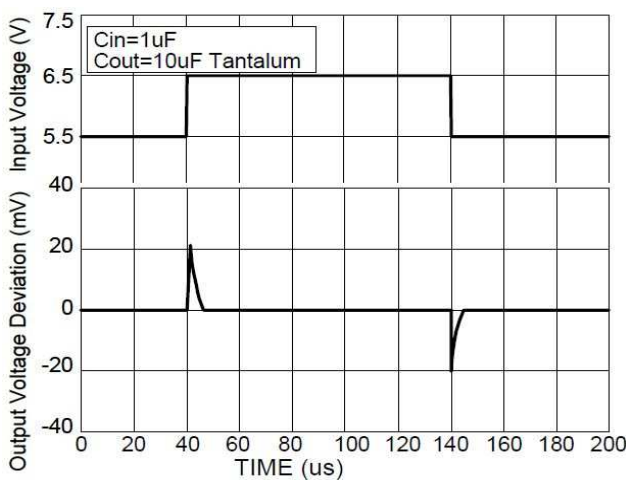


Figure 5. Line Transient Response

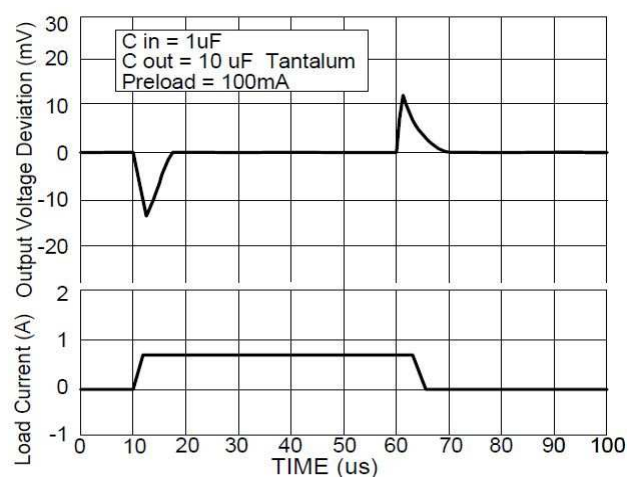
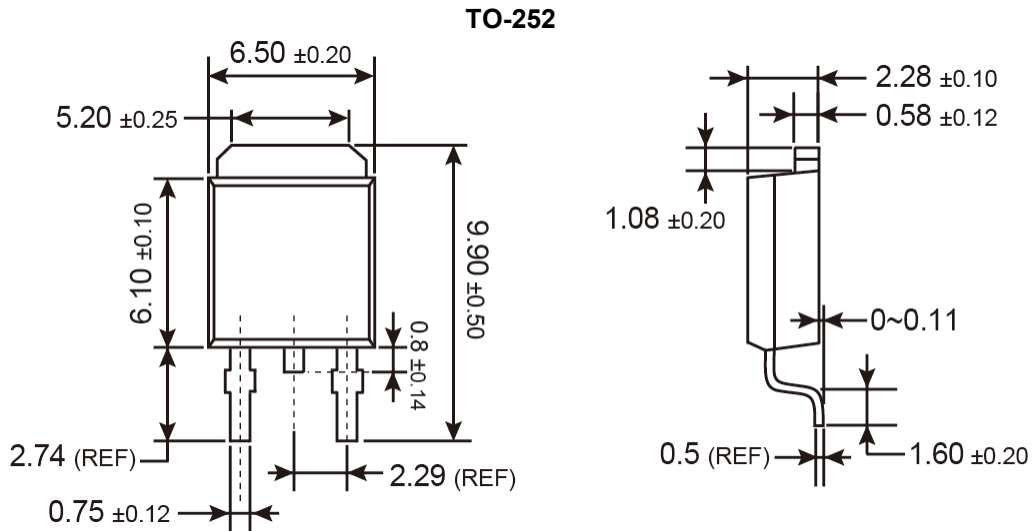
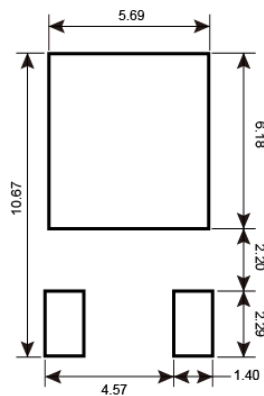


Figure 6. Load Transient Response

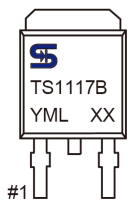
PACKAGE OUTLINE DIMENSIONS (Unit: Millimeters)



SUGGESTED PAD LAYOUT



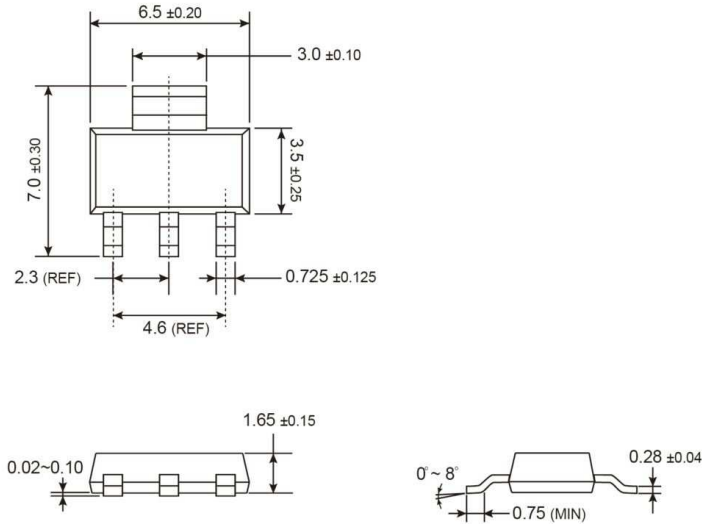
MARKING DIAGRAM



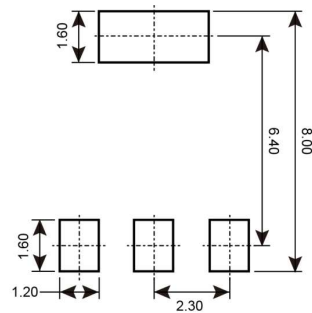
- Y** = Year Code
- M** = Month Code for Halogen Free Product
 - O** =Jan **P** =Feb **Q** =Mar **R** =Apr
 - S** =May **T** =Jun **U** =Jul **V** =Aug
 - W** =Sep **X** =Oct **Y** =Nov **Z** =Dec
- L** = Lot Code
- XX** = Output Voltage Code (**3.3**=3.3V, **5.0**=5V)
= CP for Adjustable output voltage version

PACKAGE OUTLINE DIMENSIONS (Unit: Millimeters)

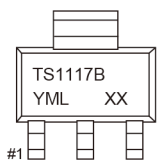
SOT-223



SUGGESTED PAD LAYOUT (Unit: Millimeters)



MARKING DIAGRAM



- Y** = Year Code
- M** = Month Code for Halogen Free Product
 - O** =Jan **P** =Feb **Q** =Mar **R** =Apr
 - S** =May **T** =Jun **U** =Jul **V** =Aug
 - W** =Sep **X** =Oct **Y** =Nov **Z** =Dec
- L** = Lot Code
- XX** = Output Voltage Code (**1.2**=1.2V, **2.5**=2.5V, **3.3**=3.3V, **5.0**=5V)
= CW for Adjustable output voltage version

Notice

Specifications of the products displayed herein are subject to change without notice. TSC or anyone on its behalf, assumes no responsibility or liability for any errors or inaccuracies.

Information contained herein is intended to provide a product description only. No license, express or implied, to any intellectual property rights is granted by this document. Except as provided in TSC's terms and conditions of sale for such products, TSC assumes no liability whatsoever, and disclaims any express or implied warranty, relating to sale and/or use of TSC products including liability or warranties relating to fitness for a particular purpose, merchantability, or infringement of any patent, copyright, or other intellectual property right.

The products shown herein are not designed for use in medical, life-saving, or life-sustaining applications. Customers using or selling these products for use in such applications do so at their own risk and agree to fully indemnify TSC for any damages resulting from such improper use or sale.

Компания «Океан Электроники» предлагает заключение долгосрочных отношений при поставках импортных электронных компонентов на взаимовыгодных условиях!

Наши преимущества:

- Поставка оригинальных импортных электронных компонентов напрямую с производств Америки, Европы и Азии, а так же с крупнейших складов мира;
- Широкая линейка поставок активных и пассивных импортных электронных компонентов (более 30 млн. наименований);
- Поставка сложных, дефицитных, либо снятых с производства позиций;
- Оперативные сроки поставки под заказ (от 5 рабочих дней);
- Экспресс доставка в любую точку России;
- Помощь Конструкторского Отдела и консультации квалифицированных инженеров;
- Техническая поддержка проекта, помощь в подборе аналогов, поставка прототипов;
- Поставка электронных компонентов под контролем ВП;
- Система менеджмента качества сертифицирована по Международному стандарту ISO 9001;
- При необходимости вся продукция военного и аэрокосмического назначения проходит испытания и сертификацию в лаборатории (по согласованию с заказчиком);
- Поставка специализированных компонентов военного и аэрокосмического уровня качества (Xilinx, Altera, Analog Devices, Intersil, Interpoint, Microsemi, Actel, Aeroflex, Peregrine, VPT, Syfer, Eurofarad, Texas Instruments, MS Kennedy, Miteq, Cobham, E2V, MA-COM, Hittite, Mini-Circuits, General Dynamics и др.);

Компания «Океан Электроники» является официальным дистрибьютором и эксклюзивным представителем в России одного из крупнейших производителей разъемов военного и аэрокосмического назначения «JONHON», а так же официальным дистрибьютором и эксклюзивным представителем в России производителя высокотехнологичных и надежных решений для передачи СВЧ сигналов «FORSTAR».



JONHON

«JONHON» (основан в 1970 г.)

Разъемы специального, военного и аэрокосмического назначения:

(Применяются в военной, авиационной, аэрокосмической, морской, железнодорожной, горно- и нефтедобывающей отраслях промышленности)

«FORSTAR» (основан в 1998 г.)

ВЧ соединители, коаксиальные кабели,
кабельные сборки и микроволновые компоненты:

(Применяются в телекоммуникациях гражданского и специального назначения, в средствах связи, РЛС, а так же военной, авиационной и аэрокосмической отраслях промышленности).



Телефон: 8 (812) 309-75-97 (многоканальный)

Факс: 8 (812) 320-03-32

Электронная почта: ocean@oceanchips.ru

Web: <http://oceanchips.ru/>

Адрес: 198099, г. Санкт-Петербург, ул. Калинина, д. 2, корп. 4, лит. А