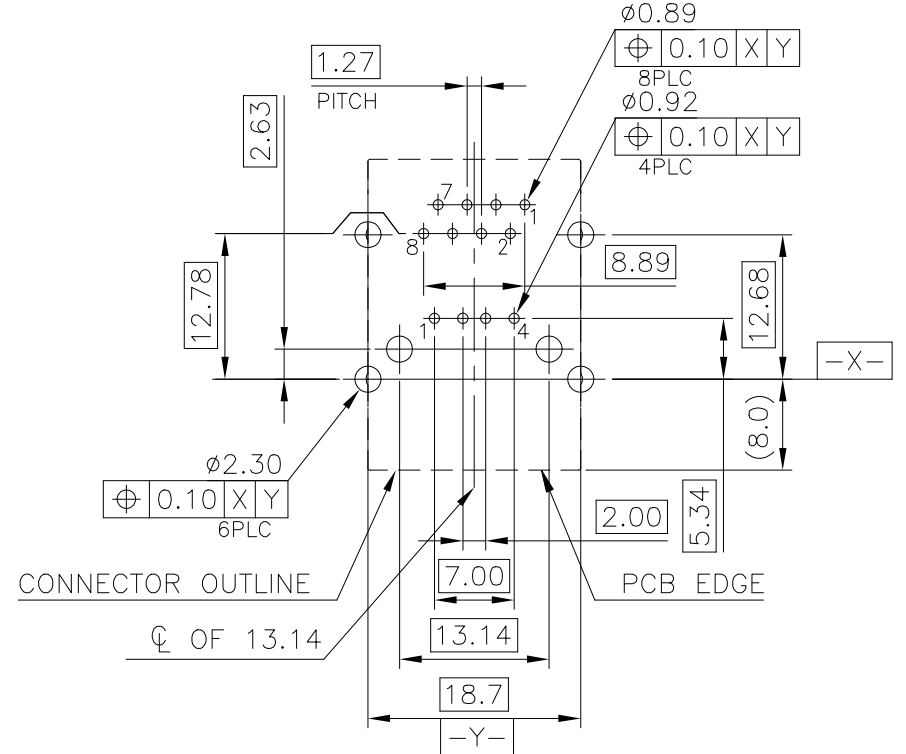
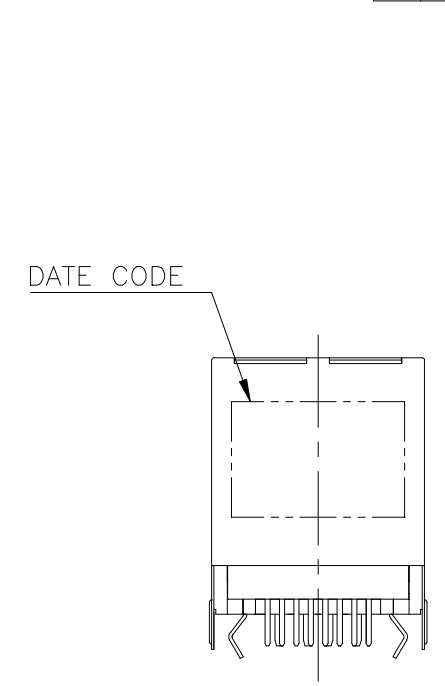
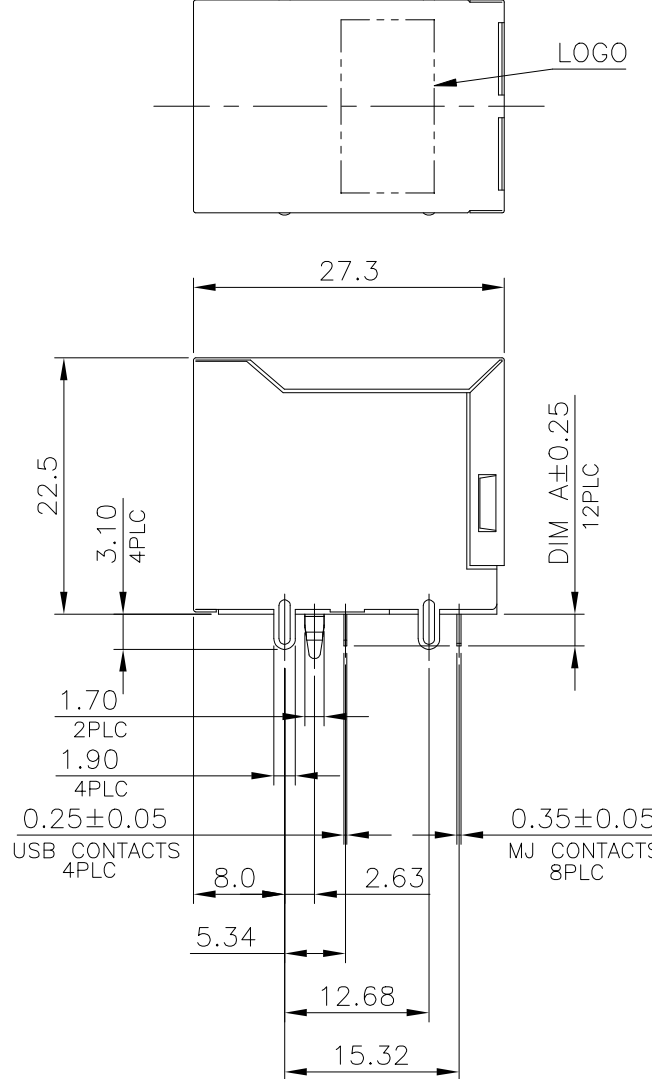
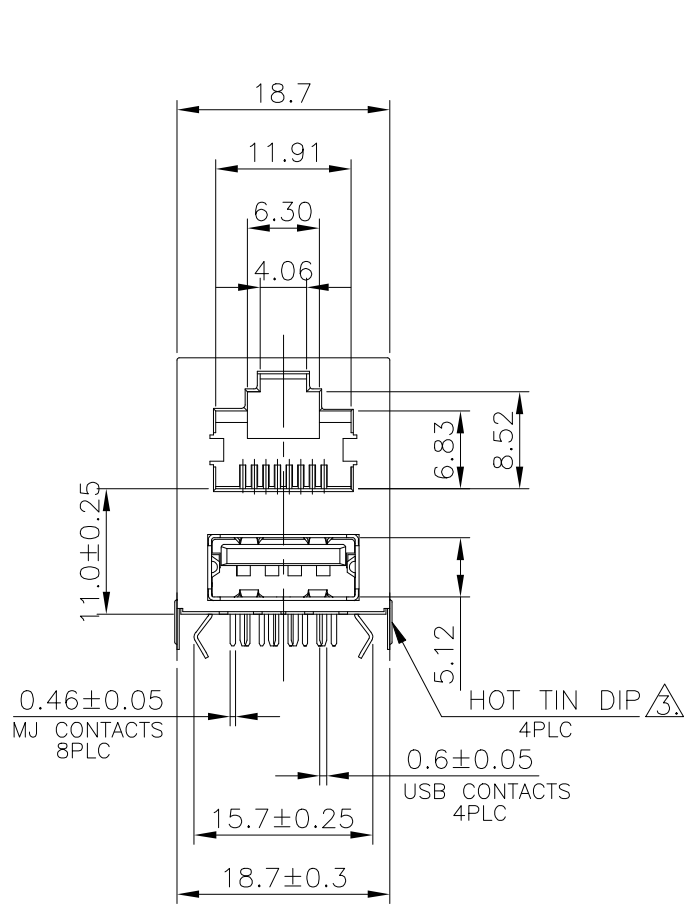
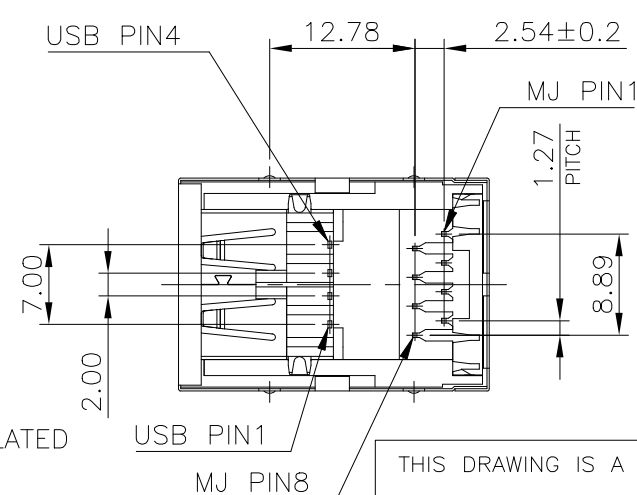


THIS DRAWING IS UNPUBLISHED. RELEASED FOR PUBLICATION
 © COPYRIGHT - TE Connectivity Ltd. ALL RIGHTS RESERVED.

P	LTR	DESCRIPTION	DATE	DWN	APVD
E		REVISE PER ECO-18-001534	30JAN2018	LL	SH



- NOTE:
- MATERIAL:
 - 1.1 MJ HOUSING: PBT, WITH 30% GF, UL94 V-0, COLOR: SEE TABLE.
 - 1.2 MJ CONTACTS: PHOSPHOR BRONZE.
 - 1.3 MJ SHIELD: BRASS.
 - 1.4 USB HOUSING: PBT, UL94 V-0, COLOR: SEE TABLE.
 - 1.5 USB CONTACTS: BRASS.
 - 1.6 USB SHIELD: SPCC.
 - FINISH:
 - 2.1 MJ CONTACTS: SELECTIVE GOLD PLATED (SEE TABLE) ON CONTACT AREA, GOLD FLASH ON SOLDER TAILS, 1.27um [50u"] MIN. NICKEL UNDERPLATED OVERALL.
 - 2.2 MJ SHIELD: 0.508um [20u"] MIN. NICKEL PLATED.
 - 2.3 USB CONTACT: SELECTIVE GOLD PLATED (SEE TABLE) ON CONTACT AREA, 2.54um [100u"] MIN. BRIGHT-TIN PLATED ON SOLDER TAILS, 1.27um [50u"] MIN. NICKEL UNDERPLATED OVERALL.
 - 2.4 USB SHIELD: 2.032um [80u"] MIN. NICKEL PLATED.
 - HOT TIN DIP ON SHELL'S LEGS.
 - WAVE SOLDER CAPABLE TO 265°C PER TE CONNECTIVITY SPEC. 109-202, CONDITION B.
 - RJ45 CAVITY CONFIRMS TO FCC RULES AND REGULATIONS PART 68, SUBPART F.



OBSOLETE	WITHOUT HTD	2.8	BLACK	0.762um [30u"]	3-1775855-1
			COOL GRAY 1C	GOLD FLASH	2-1775855-2
			BLACK	GOLD FLASH	2-1775855-1
	WITH HTD	2.6	BLACK	GOLD FLASH	1775855-3
		2.8	GOOL GRAY 1C	GOLD FLASH	1775855-2
			BLACK	GOLD FLASH	1775855-1
WEIGHT (gram)	HOT TIN DIP ON SHELL'S LEGS	DIM A	HOUSING COLOR	MIN. GOLD THICKNESS	PART NUMBER

THIS DRAWING IS A CONTROLLED DOCUMENT.

DIMENSIONS: mm	TOLERANCES UNLESS OTHERWISE SPECIFIED:	DWN B. HSING 12JUN2009	TE Connectivity Ltd. MODULAR JACK, RJ45, STACKED OVER, USB CONN., DIP TYPE
		CHK S. CHIEN 12JUN2009	
		APVD W. KODAMA 12JUN2009	
		PRODUCT SPEC	NAME
MATERIAL	FINISH	108-57802	
SEE TABEL	-	APPLICATION SPEC	
		WEIGHT	SIZE CAGE CODE DRAWING NO RESTRICTED TO
			A3 00779 C=1775855 -
		CUSTOMER DRAWING	SCALE 1:1 SHEET 1 of 5 REV E

THIS DRAWING IS UNPUBLISHED.

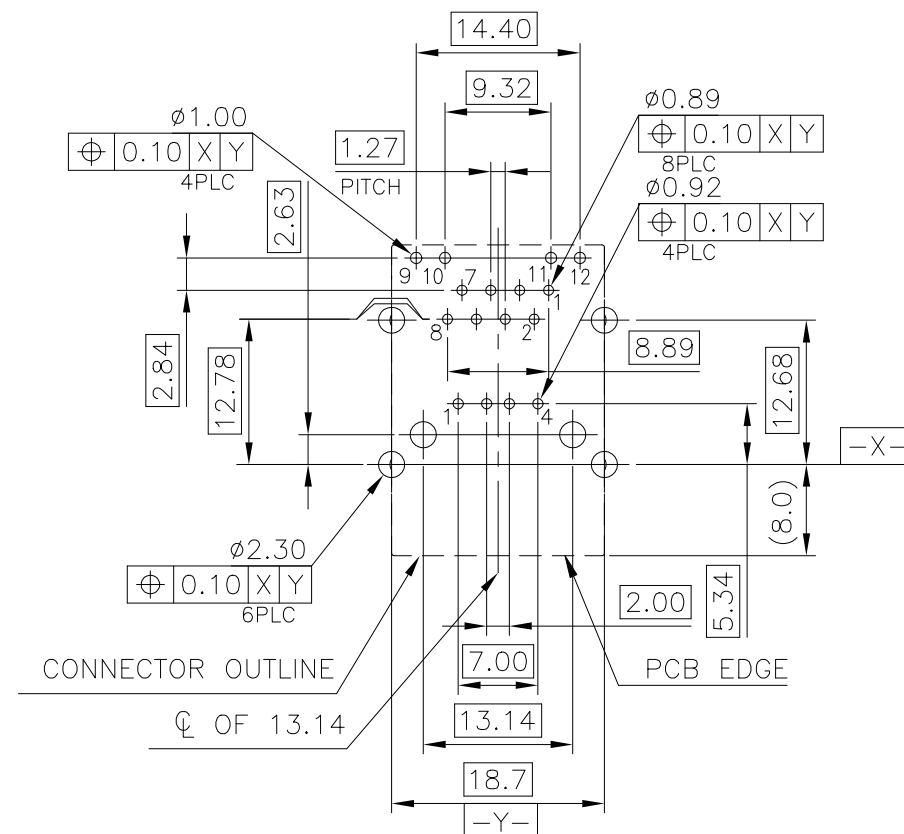
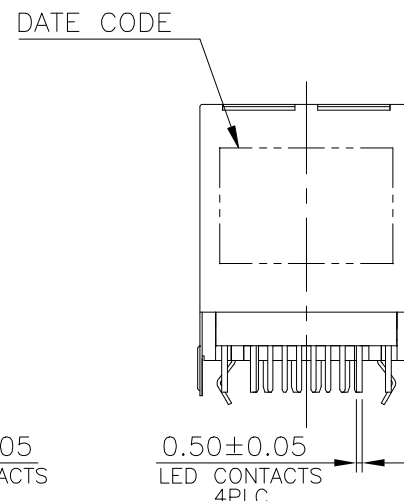
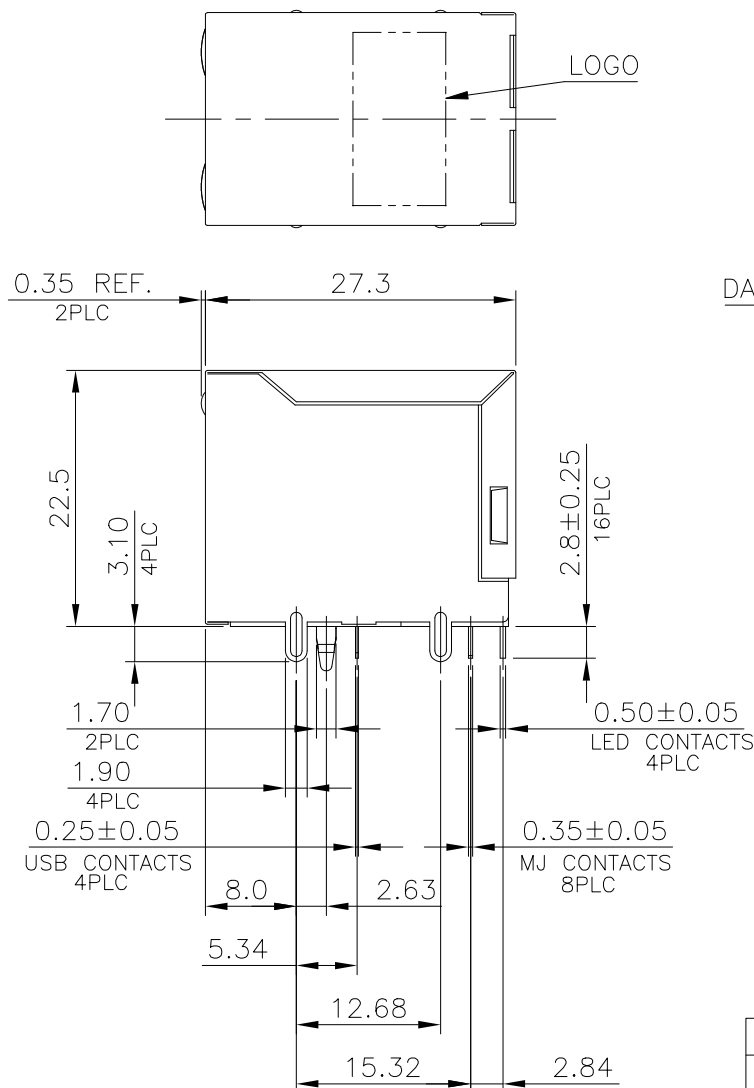
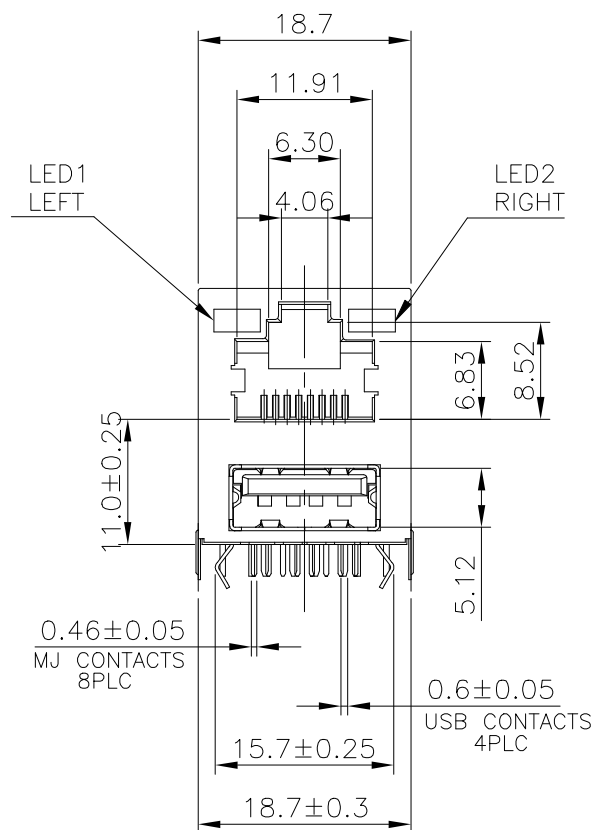
RELEASED FOR PUBLICATION

© COPYRIGHT - TE Connectivity Ltd.

ALL RIGHTS RESERVED.

REVISIONS

P	LTR	DESCRIPTION	DATE	DWN	APVD
-	-	SEE SHEET 1	-	-	-



RECOMMENDED PCB LAYOUT
 RECOMMENDED PCB THICKNESS: 1.6mm
 TOLERANCE: ±0.05 (TOP VIEW)

NOTE:

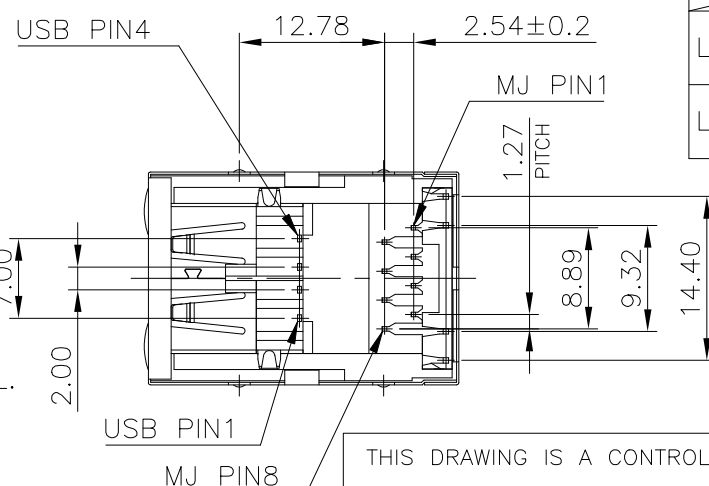
1. MATERIAL:

- 1.1 MJ HOUSING & LED COVER: PBT, WITH 30% GF, UL94V-0, BLACK COLOR.
- 1.2 MJ CONTACTS: PHOSPHOR BRONZE.
- 1.3 MJ SHIELD: BRASS.
- 1.4 LED SOLDER TAIL: EPOXY, STEEL.
- 1.5 USB HOUSING: PBT, UL94V-0, BLACK COLOR.
- 1.6 USB CONTACTS: BRASS.
- 1.7 USB SHIELD: SPCC.

2. FINISH:

- 2.1 MJ CONTACTS:
GOLD FLASH PLATED ON CONTACT AREA,
GOLD FLASH ON SOLDER TAILS,
1.27um [50u"] MIN. NICKEL UNDERPLATED OVERALL.
- 2.2 MJ SHIELD: 0.508um [20u"] MIN. NICKEL PLATED.
- 2.3 LED SOLDER TAIL:
1.02um [40u"] COPPER UNDERPLATED OVERALL.
1.27um [50u"] NICKEL OVERALL.
1.27um [50u"] SILVER ON BONDING AREA.
2.54um [100u"] BRIGHT-TIN ON SOLDER AREA.
- 2.4 USB CONTACT: GOLD FLASH PLATED ON CONTACT AREA,
2.54um [100u"] MIN. BRIGHT-TIN PLATED ON SOLDER TAILS,
1.27um [50u"] MIN. NICKEL UNDERPLATED OVERALL.
- 2.5 USB SHIELD: 2.032um [80u"] MIN. NICKEL PLATED.

- 3. WAVE SOLDER CAPABLE TO 265°C PER TE CONNECTIVITY SPEC.
109-202, CONDITION B.



FOR 4-1775855-1			
LED ELECTRICAL CHARACTERISTIC			
	NODE	COLOR	
LED LEFT	9(+)	10(-)	ORANGE 9-10
	9(-)	10(+)	GREEN 9-10
LED RIGHT	11(+)	12(-)	ORANGE 11-12
	11(-)	12(+)	GREEN 11-12

FOR 4-1775855-2			
LED ELECTRICAL CHARACTERISTIC			
	NODE	COLOR	
LED LEFT	9(+)	10(-)	GREEN 9-10
	9(-)	10(+)	ORANGE 9-10
LED RIGHT	11(+)	12(-)	GREEN 11-12
	11(-)	12(+)	ORANGE 11-12

13.11	GREEN/ORANGE	GREEN	4-1775855-2
	ORANGE/GREEN	ORANGE/GREEN	4-1775855-1
WEIGHT (gram)	LEFT	RIGHT	PART NUMBER
	LED COLORS		

THIS DRAWING IS A CONTROLLED DOCUMENT.		DWN	12JUN2009	TE Connectivity Ltd. NAME MODULAR JACK, RJ45, STACKED OVER, USB CONN., DIP TYPE			
DIMENSIONS: mm		CHK	12JUN2009				
TOLERANCES UNLESS OTHERWISE SPECIFIED:		APVD	12JUN2009				
0 PLC ± - 1 PLC ± 0.3 2 PLC ± 0.2 3 PLC ± 0.15 4 PLC ± - ANGLES ± 3°		PRODUCT SPEC	108-57802				
MATERIAL		APPLICATION SPEC	-	SIZE	CAGE CODE	DRAWING NO	RESTRICTED TO
SEE TABEL		WEIGHT	-	A3	00779	1775855	-
CUSTOMER DRAWING				SCALE	1:1	SHEET	2 of 5
				REV	E		

THIS DRAWING IS UNPUBLISHED.

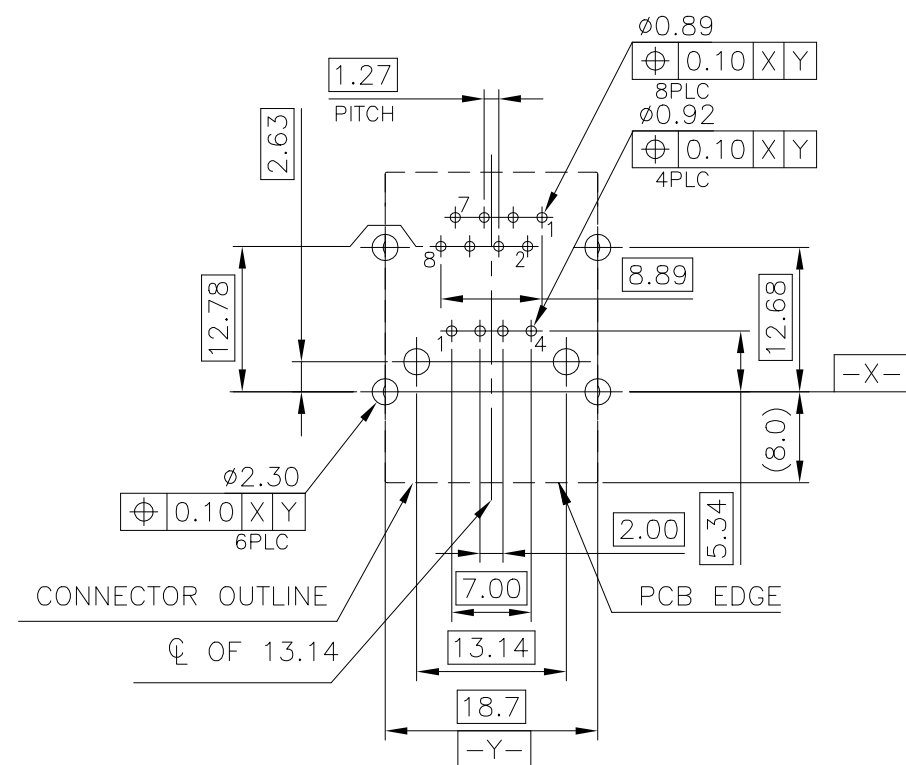
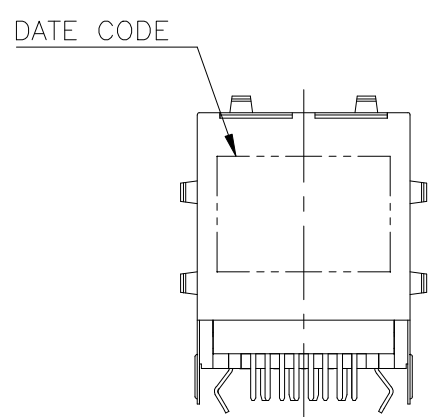
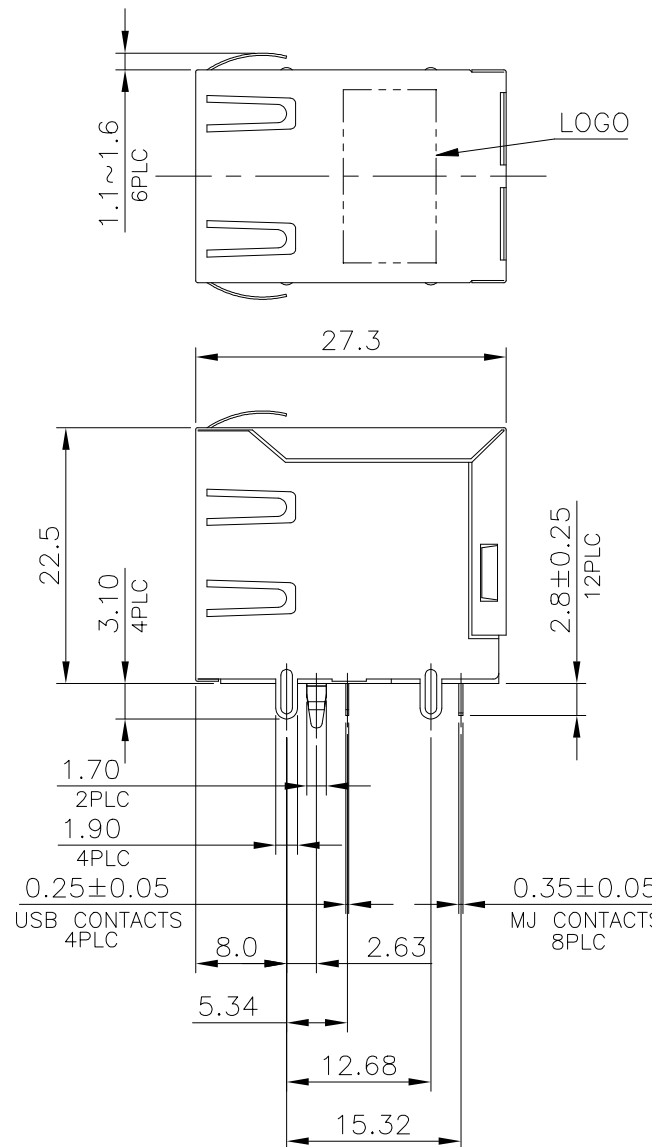
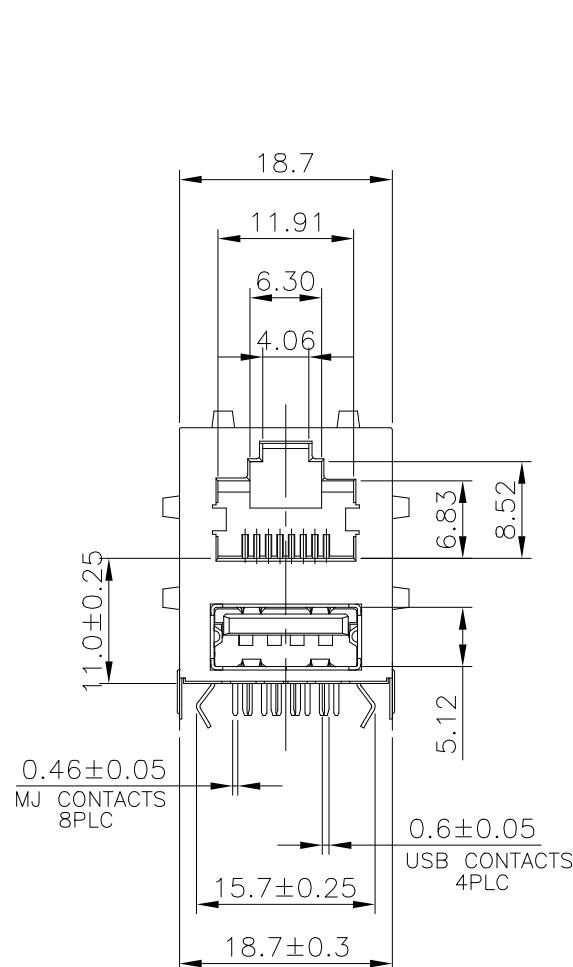
RELEASED FOR PUBLICATION

© COPYRIGHT - TE Connectivity Ltd.

ALL RIGHTS RESERVED.

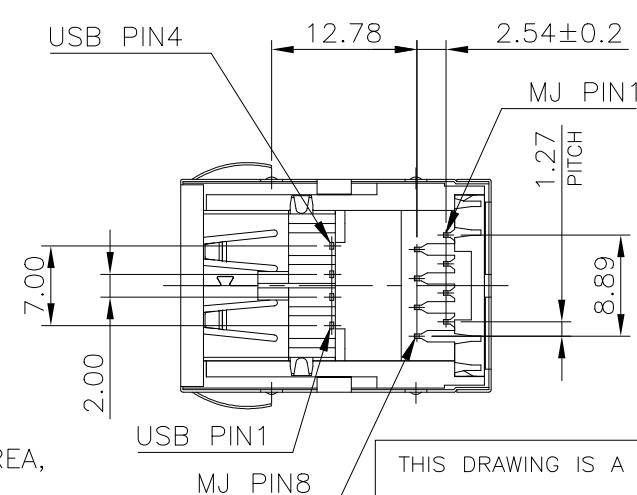
REVISIONS

P	LTR	DESCRIPTION	DATE	DWN	APVD
-	-	SEE SHEET 1	-	-	-



RECOMMENDED PCB LAYOUT
 RECOMMENDED PCB THICKNESS: 1.6mm
 TOLERANCE: ±0.05 (TOP VIEW)

- NOTE:
- MATERIAL:
 - MJ HOUSING: PBT, WITH 30% GF, UL94V-0, COLOR: SEE TABLE.
 - MJ CONTACTS: PHOSPHOR BRONZE.
 - MJ SHIELD: BRASS.
 - USB HOUSING: PBT, UL94V-0, COLOR: SEE TABLE.
 - USB CONTACTS: BRASS.
 - USB SHIELD: SPCC.
 - FINISH:
 - MJ CONTACTS: GOLD FLASH PLATED ON CONTACT AREA, GOLD FLASH ON SOLDER TAILS, 1.27um [50u"] MIN. NICKEL UNDERPLATED OVERALL.
 - MJ SHIELD: 0.508um [20u"] MIN. NICKEL PLATED.
 - USB CONTACT: GOLD FLASH PLATED ON CONTACT AREA, 2.54um [100u"] MIN. BRIGHT-TIN PLATED ON SOLDER TAILS, 1.27um [50u"] MIN. NICKEL UNDERPLATED OVERALL.
 - USB SHIELD: 2.032um [80u"] MIN. NICKEL PLATED.
 - WAVE SOLDER CAPABLE TO 265°C PER TE CONNECTIVITY SPEC. 109-202, CONDITION B.



12.69	5-1775855-1
WEIGHT (gram)	PART NUMBER

THIS DRAWING IS A CONTROLLED DOCUMENT.		DWN	12JUN2009		TE Connectivity Ltd.
		CHK	12JUN2009		
		APVD	12JUN2009		
		PRODUCT SPEC	108-57802		
DIMENSIONS: mm		TOLERANCES UNLESS OTHERWISE SPECIFIED:		NAME	
		0 PLC ± -		MODULAR JACK, RJ45, STACKED OVER, USB CONN., DIP TYPE	
		1 PLC ± 0.3		-	
		2 PLC ± 0.2		SIZE	
		3 PLC ± 0.15		CAGE CODE	
		4 PLC ± -		DRAWING NO	
		ANGLES ± 3'		RESTRICTED TO	
MATERIAL		FINISH		A300779	
SEE TABEL		-		C=1775855	
		WEIGHT		-	
		CUSTOMER DRAWING		SCALE 1:1	
				SHEET 3 of 5	
				REV E	

THIS DRAWING IS UNPUBLISHED.

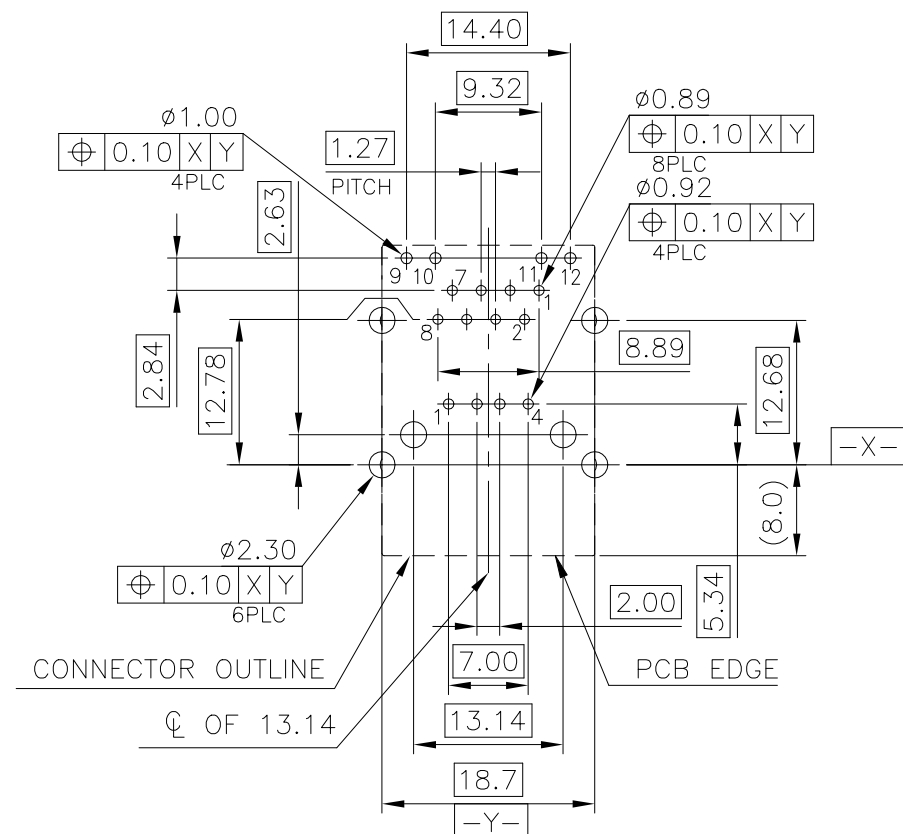
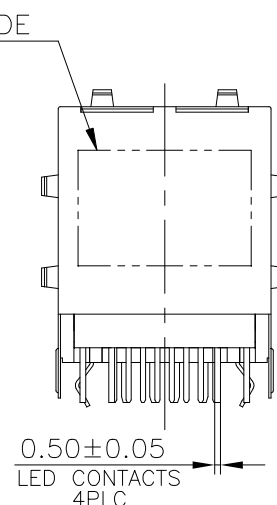
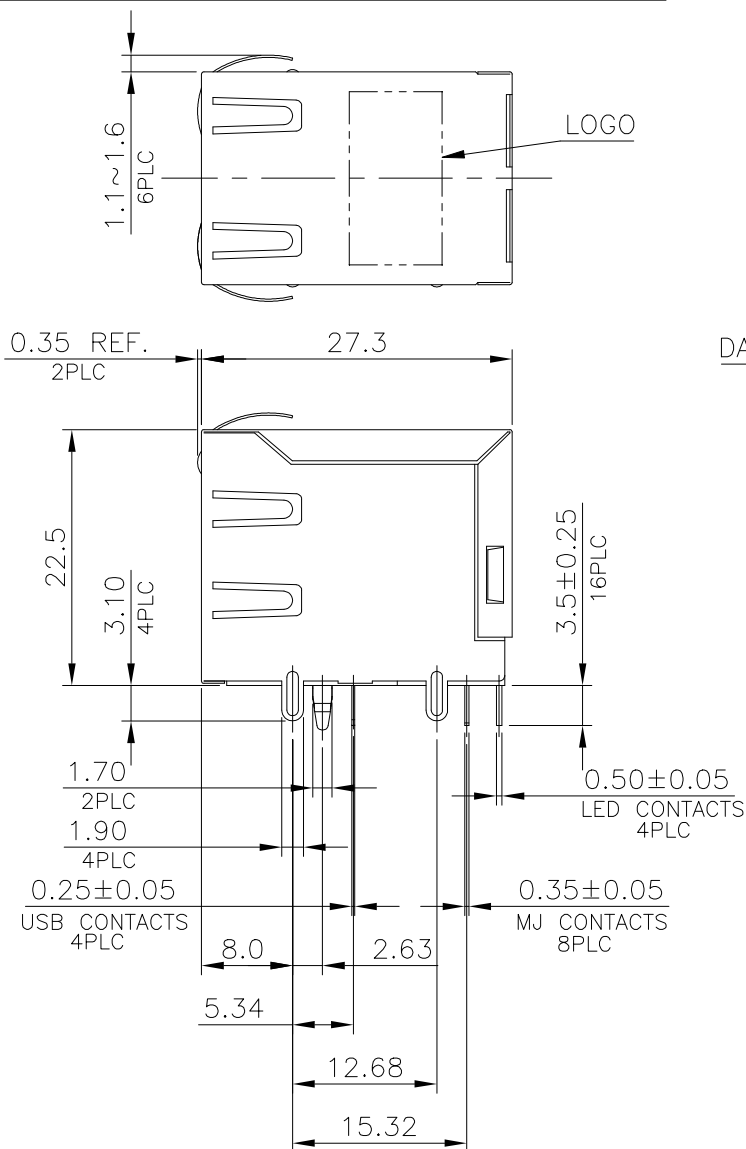
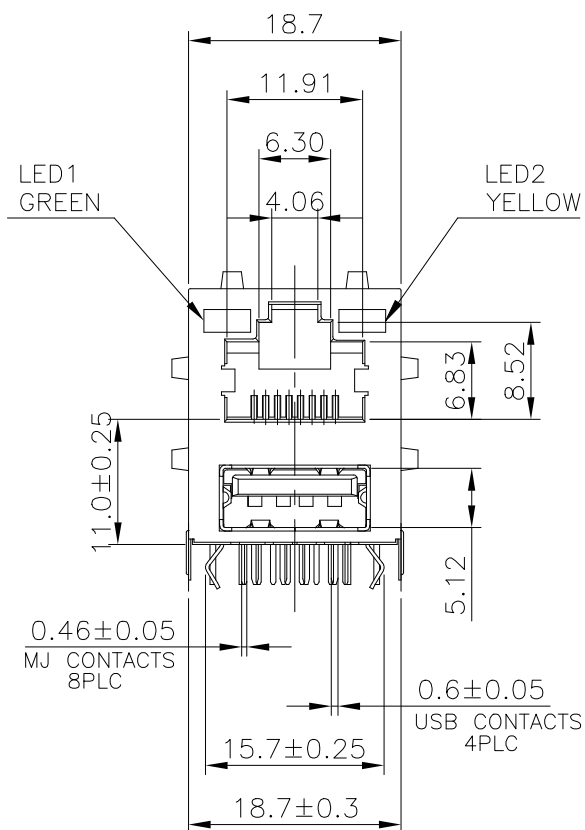
RELEASED FOR PUBLICATION

© COPYRIGHT - TE Connectivity Ltd.

ALL RIGHTS RESERVED.

REVISIONS

P	LTR	DESCRIPTION	DATE	DWN	APVD
-	-	SEE SHEET 1	-	-	-



RECOMMENDED PCB LAYOUT
 RECOMMENDED PCB THICKNESS: 1.6mm
 TOLERANCE: ±0.05 (TOP VIEW)

NOTE:

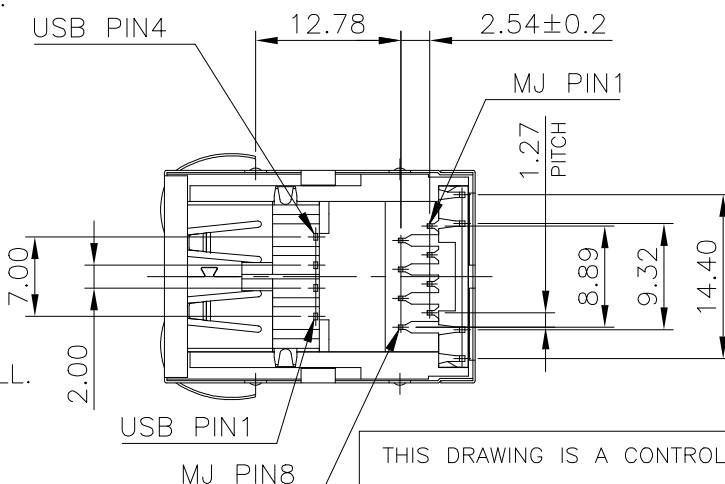
1. MATERIAL:

- 1.1 MJ HOUSING & LED COVER: PBT, WITH 30% GF, UL94V-0, BLACK COLOR.
- 1.2 MJ CONTACTS: PHOSPHOR BRONZE.
- 1.3 MJ SHIELD: BRASS.
- 1.4 LED SOLDER TAIL: EPOXY, STEEL.
- 1.5 USB HOUSING: PBT, UL94V-0, BLACK COLOR.
- 1.6 USB CONTACTS: BRASS.
- 1.7 USB SHIELD: SPCC.

2. FINISH:

- 2.1 MJ CONTACTS:
 SELECTIVE GOLD PLATED (SEE TABLE) ON CONTACT AREA,
 GOLD FLASH ON SOLDER TAILS,
 1.27um [50u"] MIN. NICKEL UNDERPLATED OVERALL.
- 2.2 MJ SHIELD: 0.508um [20u"] MIN. NICKEL PLATED.
- 2.3 LED SOLDER TAIL:
 1.02um [40u"] COPPER UNDERPLATED OVERALL.
 1.27um [50u"] NICKEL OVERALL.
 1.27um [50u"] SILVER ON BONDING AREA.
 2.54um [100u"] BRIGHT-TIN ON SOLDER AREA.
- 2.4 USB CONTACT: SELECTIVE GOLD PLATED (SEE TABLE) ON CONTACT AREA,
 2.54um [100u"] MIN. BRIGHT-TIN PLATED ON SOLDER TAILS,
 1.27um [50u"] MIN. NICKEL UNDERPLATED OVERALL.
- 2.5 USB SHIELD: 2.032um [80u"] MIN. NICKEL PLATED.

- 3. WAVE SOLDER CAPABLE TO 265°C PER TE CONNECTIVITY SPEC.
 109-202, CONDITION B.



LED ELECTRICAL CHARACTERISTIC			
NO.	NODE	COLOR	
LED1	9(+)	10(-)	GREEN 9-10
LED2	11(+)	12(-)	YELLOW 11-12

OBSOLETE	12.90	0.762um [30u"]	6-1775855-3
		GOLD FLASH	6-1775855-1
	WEIGHT (gram)	MIN. GOLD THICKNESS	PART NUMBER

THIS DRAWING IS A CONTROLLED DOCUMENT.		DWN	12JUN2009	
		CHK	B. HSING	
		APVD	12JUN2009	
		APVD	S. CHIEN	
		APVD	W. KODAMA	
		PRODUCT SPEC	108-57802	
		APPLICATION SPEC	-	
		WEIGHT	-	
		CUSTOMER DRAWING	-	
DIMENSIONS: mm		TOLERANCES UNLESS OTHERWISE SPECIFIED:		
0 PLC ± -		1 PLC ± 0.3		
1 PLC ± 0.3		2 PLC ± 0.2		
2 PLC ± 0.2		3 PLC ± 0.15		
3 PLC ± 0.15		4 PLC ± -		
4 PLC ± -		ANGLES ± 3'		
MATERIAL SEE TABEL		FINISH -		
		NAME		
		TE Connectivity Ltd.		
		MODULAR JACK, RJ45, STACKED OVER, USB CONN., DIP TYPE		
SIZE	CAGE CODE	DRAWING NO	RESTRICTED TO	
A3	00779	C=1775855	-	
SCALE		SHEET	REV	
1:1		4 of 5	E	

THIS DRAWING IS UNPUBLISHED.

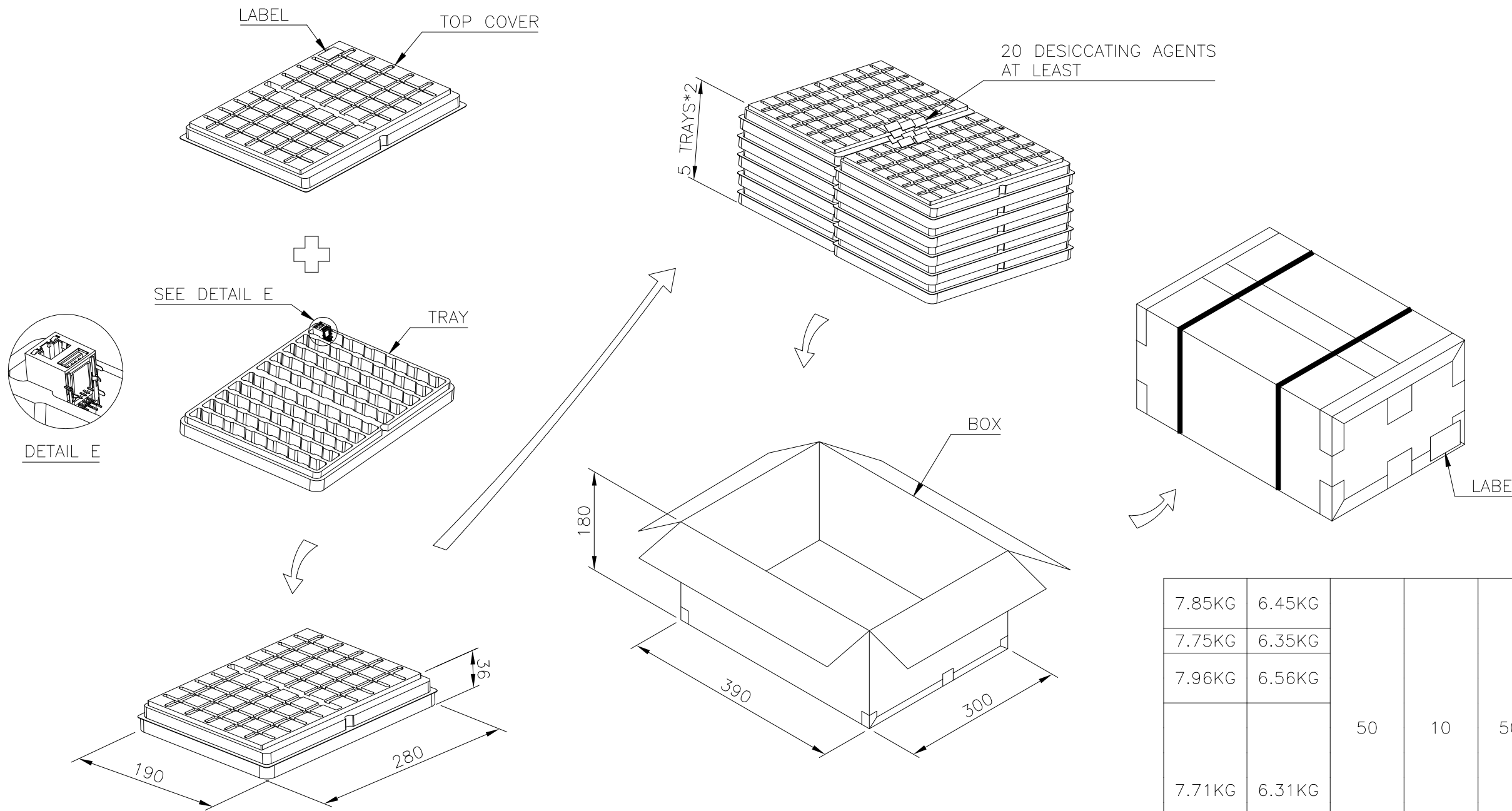
RELEASED FOR PUBLICATION

ALL RIGHTS RESERVED.

© COPYRIGHT - TE Connectivity Ltd.

REVISIONS

P	LTR	DESCRIPTION	DATE	DWN	APVD
-	-	SEE SHEET 1	-	-	-



7.85KG	6.45KG				6-1775855-3
7.75KG	6.35KG				6-1775855-1
7.96KG	6.56KG				5-1775855-1
					4-1775855-2
					4-1775855-1
		50	10	500	3-1775855-1
					2-1775855-2
					2-1775855-1
7.71KG	6.31KG				1-1775855-1
					1775855-3
					1775855-2
					1775855-1
GROSS WEIGHT	NET WEIGHT	PCS/ TRAY	TRAY/ BOX	PCS/ BOX	PART NUMBER

- NOTES:
- MATERIAL:
TRAY: PVC.
BOX: CORRUGATED FIBER.
 - DIMENSION: SEE DRAWING
 - QUANTITY: SEE TABLE
 - WEIGHT: SEE TABLE

THIS DRAWING IS A CONTROLLED DOCUMENT.		DWN	B. HSING	12JUN2009	 TE Connectivity Ltd.											
DIMENSIONS: mm		CHK	S. CHIEN	12JUN2009												
TOLERANCES UNLESS OTHERWISE SPECIFIED:		APVD	W. KODAMA	12JUN2009												
<table border="0"> <tr><td>0 PLC</td><td>± -</td></tr> <tr><td>1 PLC</td><td>± 0.3</td></tr> <tr><td>2 PLC</td><td>± 0.2</td></tr> <tr><td>3 PLC</td><td>± 0.15</td></tr> <tr><td>4 PLC</td><td>± -</td></tr> <tr><td>ANGLES</td><td>± 3'</td></tr> </table>		0 PLC	± -	1 PLC		± 0.3	2 PLC	± 0.2	3 PLC	± 0.15	4 PLC	± -	ANGLES	± 3'	PRODUCT SPEC	
0 PLC	± -															
1 PLC	± 0.3															
2 PLC	± 0.2															
3 PLC	± 0.15															
4 PLC	± -															
ANGLES	± 3'															
MATERIAL: SEE TABEL		FINISH: -		108-57802	MODULAR JACK, RJ45, STACKED OVER, USB CONN., DIP TYPE											
		APPLICATION SPEC		-												
		WEIGHT		-	SIZE											
		CUSTOMER DRAWING		A3	CAGE CODE											
				-	00779											
				-	DRAWING NO											
				-	C=1775855											
				-	RESTRICTED TO											
				-	-											
				-	SCALE											
				-	1:1											
				-	SHEET											
				-	5 of 5											
				-	REV											
				-	E											

Компания «Океан Электроники» предлагает заключение долгосрочных отношений при поставках импортных электронных компонентов на взаимовыгодных условиях!

Наши преимущества:

- Поставка оригинальных импортных электронных компонентов напрямую с производств Америки, Европы и Азии, а так же с крупнейших складов мира;
- Широкая линейка поставок активных и пассивных импортных электронных компонентов (более 30 млн. наименований);
- Поставка сложных, дефицитных, либо снятых с производства позиций;
- Оперативные сроки поставки под заказ (от 5 рабочих дней);
- Экспресс доставка в любую точку России;
- Помощь Конструкторского Отдела и консультации квалифицированных инженеров;
- Техническая поддержка проекта, помощь в подборе аналогов, поставка прототипов;
- Поставка электронных компонентов под контролем ВП;
- Система менеджмента качества сертифицирована по Международному стандарту ISO 9001;
- При необходимости вся продукция военного и аэрокосмического назначения проходит испытания и сертификацию в лаборатории (по согласованию с заказчиком);
- Поставка специализированных компонентов военного и аэрокосмического уровня качества (Xilinx, Altera, Analog Devices, Intersil, Interpoint, Microsemi, Actel, Aeroflex, Peregrine, VPT, Syfer, Eurofarad, Texas Instruments, MS Kennedy, Miteq, Cobham, E2V, MA-COM, Hittite, Mini-Circuits, General Dynamics и др.);

Компания «Океан Электроники» является официальным дистрибьютором и эксклюзивным представителем в России одного из крупнейших производителей разъемов военного и аэрокосмического назначения «JONHON», а так же официальным дистрибьютором и эксклюзивным представителем в России производителя высокотехнологичных и надежных решений для передачи СВЧ сигналов «FORSTAR».



JONHON

«JONHON» (основан в 1970 г.)

Разъемы специального, военного и аэрокосмического назначения:

(Применяются в военной, авиационной, аэрокосмической, морской, железнодорожной, горно- и нефтедобывающей отраслях промышленности)

«FORSTAR» (основан в 1998 г.)

ВЧ соединители, коаксиальные кабели,
кабельные сборки и микроволновые компоненты:

(Применяются в телекоммуникациях гражданского и специального назначения, в средствах связи, РЛС, а так же военной, авиационной и аэрокосмической отраслях промышленности).



Телефон: 8 (812) 309-75-97 (многоканальный)

Факс: 8 (812) 320-03-32

Электронная почта: ocean@oceanchips.ru

Web: <http://oceanchips.ru/>

Адрес: 198099, г. Санкт-Петербург, ул. Калинина, д. 2, корп. 4, лит. А