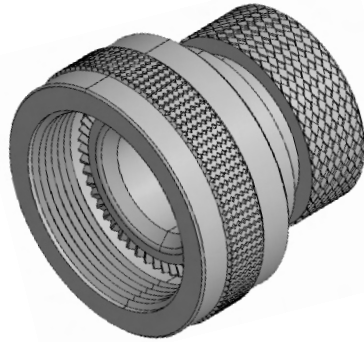


SHRINK BOOT ADAPTOR



Amphenol shrink boot adapter is a good option when the unshielded cables are terminated with heat shrink boots. It has a groove where the boot lip can be held which provides good grip apart from sufficient space inside for the cable looping.

Using the heat shrink boot is one way of providing environmental protection and strain relief to cable termination. Using a suitable adapter is essential here to ensure the repairability. Amphenol shrink boot adapter is designed to provide excellent characteristics in all these parameters.

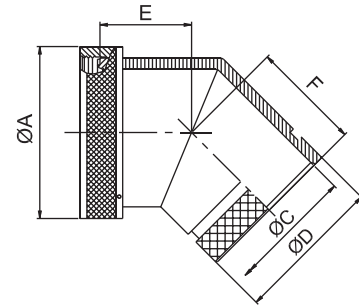
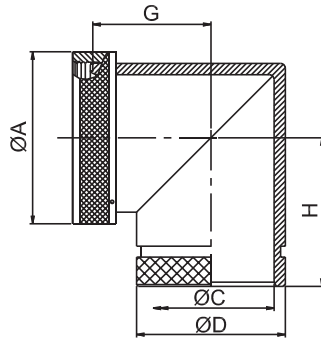
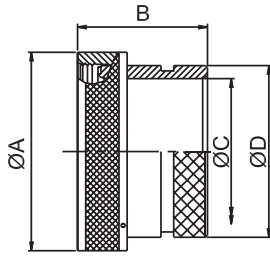
| For Connector Group | | Page No. |
|---------------------|---|------------------|
| J | → | V-1 - V-2 |
| K | → | V-3 - V-4 |
| L | → | V-5 |
| M | → | V-6 |
| N | → | V-7 |

Note: For Connector group Identification refer Table 1 - A, B, C, D (Page 7-11) and for Material / Plating Finish, Refer Table-2 (Page 12)



Connector Group - J

Straight, 90°, 45°



Amphenol Part Number

BB1 X X J 99 99 9 X X

Series

Angle

S: straight
A: 90deg
B: 45deg

Coupling

R: spin
D: direct

Connector group

Finish: see Table-2

Constant: X

Length
9 - for standard
Length in table / figure

Entry Size
99 - for standard
Entry Size in table / figure

Shell size
See Table-A

MIL Part Number

M85049 / 99-9 X 9

MIL Series

Dash Number:
See Table-A

Finish:
See Table-2

Slash sheet
60-1: Straight, spin coupling

NOTE: * For more cable entry and length options, contact factory

| TABLE - A | | | | | | | | | | |
|---------------------------------|----------------------------|----------------------|--------------|-------|---------|-------|--------------|-------|--------------|-------|
| AMPHENOL PART NUMBER DESIGNATOR | MIL PART NUMBER DESIGNATOR | CONNECTOR SHELL SIZE | A DIA. (MAX) | | B (MAX) | | C DIA. (MIN) | | D DIA. (MAX) | |
| | | | INCH | MM | INCH | MM | INCH | MM | INCH | MM |
| 08 | 08 | 8 | 0.62 | 15.67 | 1.19 | 30.15 | 0.25 | 6.35 | 0.53 | 13.54 |
| 10 | 10 | 10 | 0.73 | 18.64 | 1.19 | 30.15 | 0.36 | 9.02 | 0.61 | 15.37 |
| 12 | 12 | 7/12 | 0.86 | 21.79 | 1.19 | 30.15 | 0.49 | 12.47 | 0.77 | 19.66 |
| 14 | 14 | 12/14 | 0.98 | 24.99 | 1.19 | 30.15 | 0.57 | 14.35 | 0.84 | 21.29 |
| 16 | 16 | 19/16 | 1.11 | 28.24 | 1.19 | 30.15 | 0.69 | 17.53 | 0.96 | 24.46 |
| 18 | 18 | 27/18 | 1.22 | 30.94 | 1.19 | 30.15 | 0.77 | 19.53 | 1.04 | 26.47 |
| 20 | 20 | 37/20 | 1.35 | 34.16 | 1.19 | 30.15 | 0.89 | 22.71 | 1.22 | 30.91 |
| 22 | 22 | 22 | 1.47 | 37.29 | 1.19 | 30.15 | 1.02 | 25.88 | 1.36 | 34.42 |
| 24 | 24 | 24 | 1.59 | 40.46 | 1.19 | 30.15 | 1.13 | 28.80 | 1.44 | 36.65 |
| 28 | 28 | 28 | 1.97 | 50.01 | 1.51 | 38.38 | 1.37 | 34.77 | 1.71 | 43.41 |
| 32 | 32 | 32 | 2.22 | 56.36 | 1.51 | 38.38 | 1.62 | 41.02 | 1.92 | 48.74 |
| 36 | 36 | 36 | 2.47 | 62.71 | 1.51 | 38.38 | 1.83 | 46.48 | 2.17 | 55.09 |
| 40 | 40 | 40 | 2.72 | 69.06 | 1.51 | 38.38 | 2.05 | 51.94 | 2.40 | 61.01 |
| 44 | 44 | 44 | 2.97 | 75.41 | 1.51 | 38.38 | 2.30 | 58.42 | 2.66 | 67.49 |
| 48 | 48 | 48 | 3.22 | 81.76 | 1.51 | 38.38 | 2.55 | 64.77 | 2.91 | 73.84 |

Table Continued

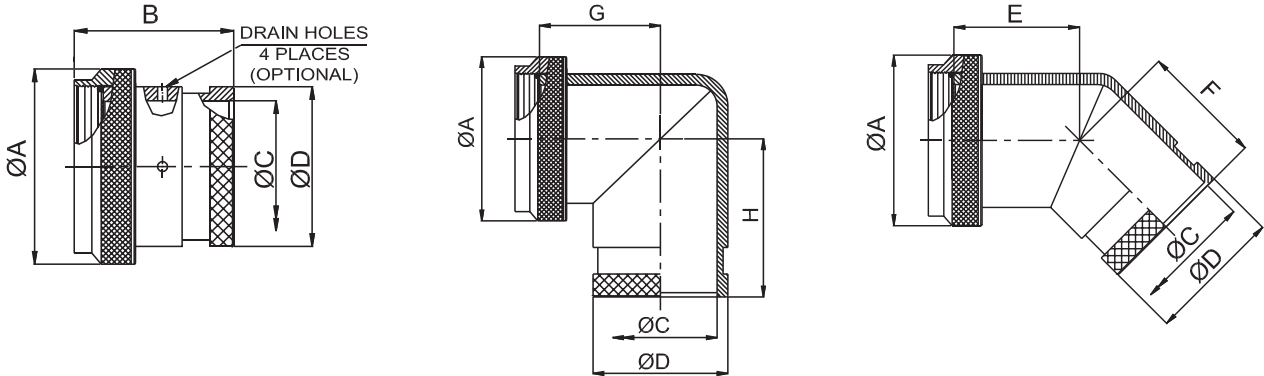
Connector Group - J

Straight, 90°, 45°

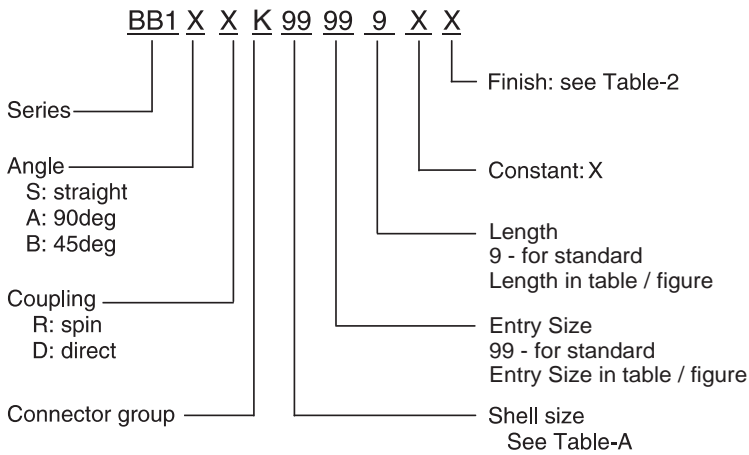
| TABLE - A | | | | | | | | | | |
|---------------------------------------|----------------------------------|-------------------------|---------|-------|---------|-------|---------|-------|---------|-------|
| AMPHENOL PART NUMBER DESIGNATOR | MIL PART NUMBER DESIGNATOR | CONNECTOR SHELL SIZE | E (MAX) | | F (MAX) | | G (MAX) | | H (MAX) | |
| | | | INCH | MM | INCH | MM | INCH | MM | INCH | MM |
| 08 | 08 | 8 | 0.64 | 16.23 | 0.81 | 20.57 | 0.75 | 19.05 | 0.92 | 23.37 |
| 10 | 10 | 10 | 0.66 | 16.87 | 0.84 | 21.34 | 0.81 | 20.57 | 0.98 | 24.89 |
| 12 | 12 | 7/12 | 0.69 | 17.48 | 0.86 | 21.84 | 0.87 | 22.10 | 1.04 | 26.42 |
| 14 | 14 | 12/14 | 0.71 | 17.91 | 0.89 | 22.61 | 0.92 | 23.37 | 1.11 | 28.19 |
| 16 | 16 | 19/16 | 0.73 | 18.59 | 0.91 | 23.11 | 0.98 | 24.89 | 1.17 | 29.72 |
| 18 | 18 | 27/18 | 0.75 | 19.00 | 0.92 | 23.37 | 1.02 | 25.91 | 1.19 | 30.23 |
| 20 | 20 | 37/20 | 0.77 | 19.63 | 0.94 | 23.88 | 1.08 | 27.43 | 1.25 | 31.75 |
| 22 | 22 | 22 | 0.80 | 20.32 | 0.98 | 24.89 | 1.14 | 28.96 | 1.33 | 33.78 |
| 24 | 24 | 24 | 0.82 | 20.90 | 1.01 | 25.65 | 1.20 | 30.48 | 1.40 | 35.56 |
| 28 | 28 | 28 | 1.04 | 26.44 | 1.18 | 29.97 | 1.48 | 37.59 | 1.64 | 41.66 |
| 32 | 32 | 32 | 1.09 | 27.74 | 1.37 | 34.80 | 1.61 | 40.89 | 1.88 | 47.75 |
| 36 | 36 | 36 | ----- | ----- | ----- | ----- | ----- | ----- | ----- | ----- |
| 40 | 40 | 40 | ----- | ----- | ----- | ----- | ----- | ----- | ----- | ----- |
| 44 | 44 | 44 | ----- | ----- | ----- | ----- | ----- | ----- | ----- | ----- |
| 48 | 48 | 48 | ----- | ----- | ----- | ----- | ----- | ----- | ----- | ----- |

Connector Group - K

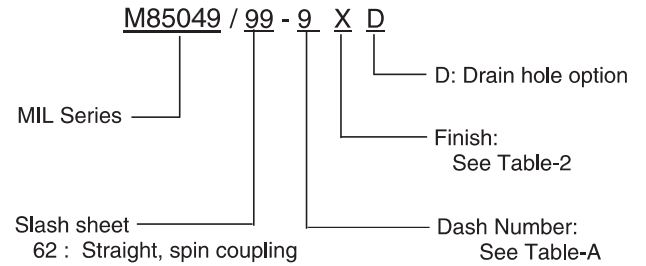
Straight, 90°, 45°



Amphenol Part Number



MIL Part Number



NOTE: * For more cable entry and length options, contact factory

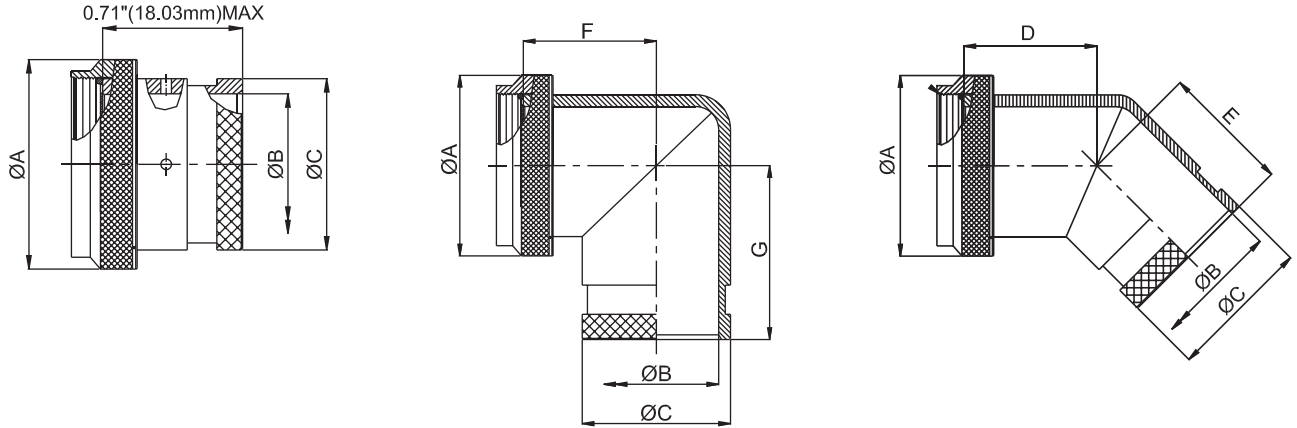
| AMPHENOL PART NUMBER DESIGNATOR | | MIL PART NUMBER DESIGNATOR | | CONNECTOR SHELL SIZE SE - II / I | | A DIA. (MAX) | | B (MAX) | | C DIA. (MIN) | | D DIA. (MAX) | | E (MAX) | |
|---------------------------------|----------|----------------------------|--|----------------------------------|--|--------------|-------|---------|-------|--------------|-------|--------------|-------|---------|-------|
| SHELL SIZE | DASH NO. | | | | | INCH | MM | INCH | MM | INCH | MM | INCH | MM | INCH | MM |
| 08 | 08 | | | 8 / 9 | | 0.75 | 19.05 | 1.00 | 25.40 | 0.25 | 6.35 | 0.53 | 13.54 | 0.64 | 16.23 |
| 10 | 10 | | | 10 / 11 | | 0.85 | 21.59 | 1.00 | 25.40 | 0.38 | 9.53 | 0.61 | 15.37 | 0.66 | 16.87 |
| 12 | 12 | | | 12 / 13 | | 1.00 | 25.40 | 1.00 | 25.40 | 0.50 | 12.70 | 0.77 | 19.66 | 0.69 | 17.48 |
| 14 | 14 | | | 14 / 15 | | 1.10 | 27.94 | 1.00 | 25.40 | 0.63 | 15.88 | 0.84 | 21.29 | 0.71 | 17.91 |
| 16 | 16 | | | 16 / 17 | | 1.25 | 31.75 | 1.00 | 25.40 | 0.75 | 19.05 | 0.94 | 23.77 | 0.73 | 18.59 |
| 18 | 18 | | | 18 / 19 | | 1.40 | 35.56 | 1.00 | 25.40 | 0.81 | 20.62 | 1.04 | 26.47 | 0.75 | 19.00 |
| 20 | 20 | | | 20 / 21 | | 1.50 | 38.10 | 1.00 | 25.40 | 0.94 | 23.80 | 1.22 | 30.91 | 0.77 | 19.63 |
| 22 | 22 | | | 22 / 23 | | 1.65 | 41.91 | 1.00 | 25.40 | 1.06 | 26.97 | 1.36 | 34.42 | 0.80 | 20.32 |
| 24 | 24 | | | 24 / 25 | | 1.75 | 44.45 | 1.00 | 25.40 | 1.19 | 30.18 | 1.44 | 36.65 | 0.82 | 20.90 |

Table Continued

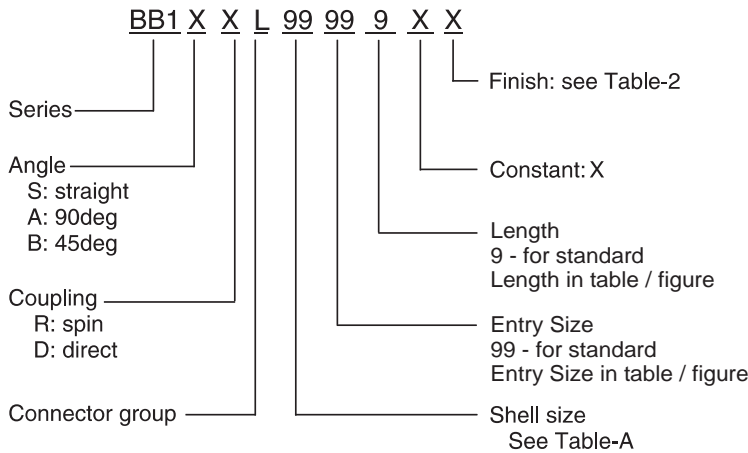
| TABLE - A | | | | | | | | |
|--|----------------------------------|--|---------|-------|---------|-------|---------|-------|
| AMPHENOL PART NUMBER DESIGNATOR | MIL PART NUMBER DESIGNATOR | CONNECTOR SHELL SIZE SE - II / I | F (MAX) | | G (MAX) | | H (MAX) | |
| | | | INCH | MM | INCH | MM | INCH | MM |
| 08 | 08 | 8 / 9 | 0.81 | 20.57 | 0.75 | 19.05 | 0.92 | 23.37 |
| 10 | 10 | 10 / 11 | 0.84 | 21.34 | 0.81 | 20.57 | 0.98 | 24.89 |
| 12 | 12 | 12 / 13 | 0.86 | 21.84 | 0.87 | 22.10 | 1.04 | 26.42 |
| 14 | 14 | 14 / 15 | 0.89 | 22.61 | 0.92 | 23.37 | 1.11 | 28.19 |
| 16 | 16 | 16 / 17 | 0.91 | 23.11 | 0.98 | 24.89 | 1.17 | 29.72 |
| 18 | 18 | 18 / 19 | 0.92 | 23.37 | 1.02 | 25.91 | 1.19 | 30.23 |
| 20 | 20 | 20 / 21 | 0.94 | 23.88 | 1.08 | 27.43 | 1.25 | 31.75 |
| 22 | 22 | 22 / 23 | 0.98 | 24.89 | 1.14 | 28.96 | 1.33 | 33.78 |
| 24 | 24 | 24 / 25 | 1.01 | 25.65 | 1.20 | 30.48 | 1.40 | 35.56 |

Connector Group - L

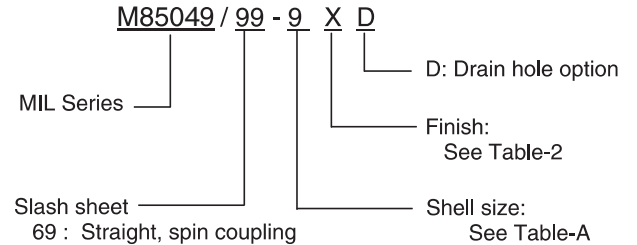
Straight, 90°, 45°



Amphenol Part Number

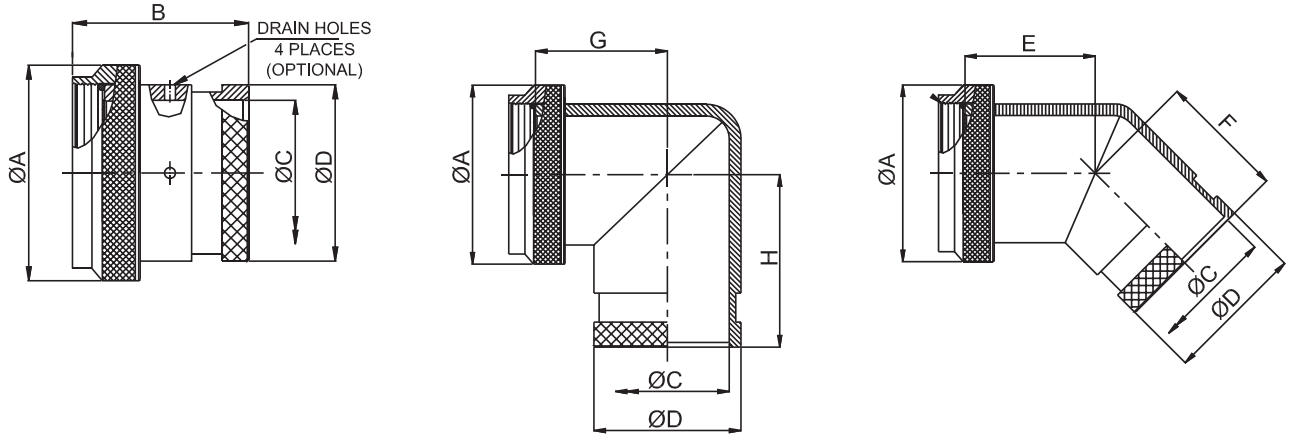


MIL Part Number

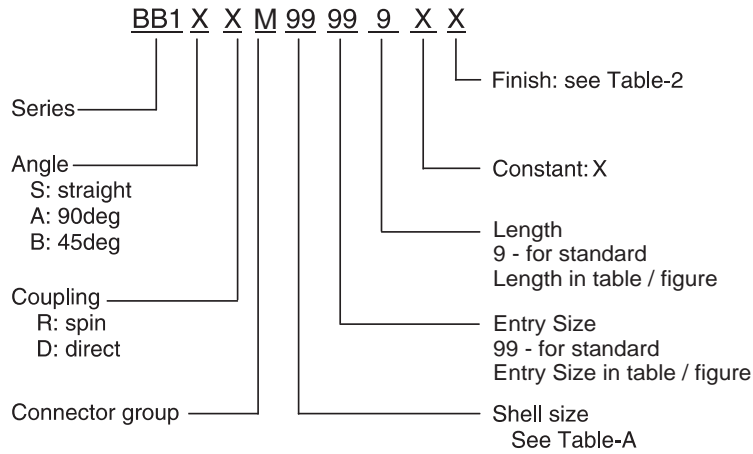


NOTE: * For more cable entry and length options, contact factory

| AMPHENOL PART NUMBER DESIGNATOR | | MIL PART NUMBER DESIGNATOR | | CONNECTOR SHELL SIZE/CODE (REF.) | A DIA. (MAX) | | B DIA. (MIN) | | C DIA. (MAX) | | D (MAX) | | E (MAX) | | F (MAX) | | G (MAX) | |
|---------------------------------|----------------------|----------------------------|--|----------------------------------|--------------|------|--------------|------|--------------|------|---------|------|---------|------|---------|------|---------|----|
| SHELL SIZE | CONNECTOR SHELL SIZE | | | | INCH | MM | INCH | MM | INCH | MM | INCH | MM | INCH | MM | INCH | MM | INCH | MM |
| 08 | 09 | 09 / A | | 0.75 | 19.05 | 0.25 | 6.35 | 0.53 | 13.54 | 0.64 | 16.23 | 0.81 | 20.57 | 0.75 | 19.05 | 0.92 | 23.37 | |
| 10 | 11 | 11 / B | | 0.85 | 21.59 | 0.38 | 9.53 | 0.61 | 15.37 | 0.66 | 16.87 | 0.84 | 21.34 | 0.81 | 20.57 | 0.98 | 24.89 | |
| 12 | 13 | 13 / C | | 1.00 | 25.40 | 0.50 | 12.70 | 0.77 | 19.66 | 0.69 | 17.48 | 0.86 | 21.84 | 0.87 | 22.10 | 1.04 | 26.42 | |
| 14 | 15 | 15 / D | | 1.15 | 29.21 | 0.63 | 15.88 | 0.84 | 21.29 | 0.71 | 17.91 | 0.89 | 22.61 | 0.92 | 23.37 | 1.11 | 28.19 | |
| 16 | 17 | 17 / E | | 1.25 | 31.75 | 0.75 | 19.05 | 0.94 | 23.77 | 0.73 | 18.59 | 0.91 | 23.11 | 0.98 | 24.89 | 1.17 | 29.72 | |
| 18 | 19 | 19 / F | | 1.40 | 35.56 | 0.81 | 20.62 | 1.04 | 26.47 | 0.75 | 19.00 | 0.92 | 23.37 | 1.02 | 25.91 | 1.19 | 30.23 | |
| 20 | 21 | 21 / G | | 1.55 | 39.37 | 0.94 | 23.80 | 1.22 | 30.91 | 0.77 | 19.63 | 0.94 | 23.88 | 1.08 | 27.43 | 1.25 | 31.75 | |
| 22 | 23 | 23 / H | | 1.65 | 41.91 | 1.06 | 26.97 | 1.36 | 34.42 | 0.80 | 20.32 | 0.98 | 24.89 | 1.14 | 28.96 | 1.33 | 33.78 | |
| 24 | 25 | 25 / J | | 1.85 | 46.99 | 1.19 | 30.18 | 1.44 | 36.65 | 0.82 | 20.90 | 1.01 | 25.65 | 1.20 | 30.48 | 1.40 | 35.56 | |



Amphenol Part Number



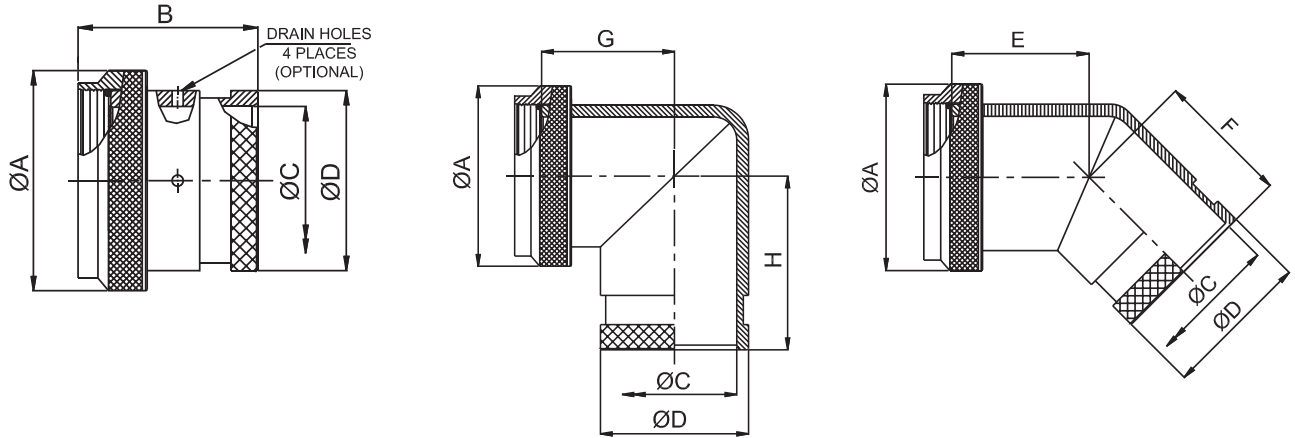
NOTE: * For more cable entry and length options, contact factory

TABLE - A

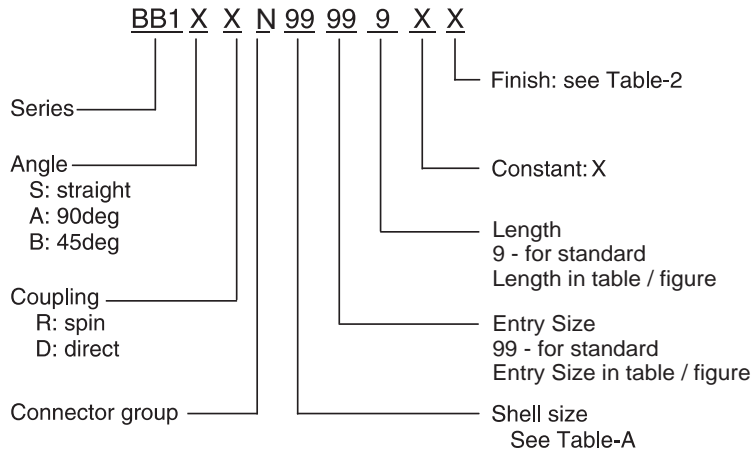
| AMPHENOL PART NUMBER DESIGNATOR | CONNECTOR SHELL SIZE | A DIA. (MAX) | | B (MAX) | | C DIA. (MIN) | | D DIA. (MAX) | | E (MAX) | | F (MAX) | | G (MAX) | | H (MAX) | |
|---------------------------------|----------------------|--------------|-------|---------|-------|--------------|-------|--------------|-------|---------|-------|---------|-------|---------|-------|---------|-------|
| | | INCH | MM | INCH | MM | INCH | MM | INCH | MM | INCH | MM | INCH | MM | INCH | MM | INCH | MM |
| 08 | 8 | 0.75 | 19.05 | 1.00 | 25.40 | 0.25 | 6.35 | 0.53 | 13.54 | 0.64 | 16.23 | 0.81 | 20.57 | 0.75 | 19.05 | 0.92 | 23.37 |
| 10 | 10 | 0.85 | 21.59 | 1.00 | 25.40 | 0.38 | 9.53 | 0.61 | 15.37 | 0.66 | 16.87 | 0.84 | 21.34 | 0.81 | 20.57 | 0.98 | 24.89 |
| 12 | 12 | 1.00 | 25.40 | 1.00 | 25.40 | 0.50 | 12.70 | 0.77 | 19.66 | 0.69 | 17.48 | 0.86 | 21.84 | 0.87 | 22.10 | 1.04 | 26.42 |
| 14 | 14 | 1.10 | 27.94 | 1.00 | 25.40 | 0.63 | 15.88 | 0.84 | 21.29 | 0.71 | 17.91 | 0.89 | 22.61 | 0.92 | 23.37 | 1.11 | 28.19 |
| 16 | 16 | 1.25 | 31.75 | 1.00 | 25.40 | 0.75 | 19.05 | 0.94 | 23.77 | 0.73 | 18.59 | 0.91 | 23.11 | 0.98 | 24.89 | 1.17 | 29.72 |
| 18 | 18 | 1.40 | 35.56 | 1.00 | 25.40 | 0.81 | 20.62 | 1.04 | 26.47 | 0.75 | 19.00 | 0.92 | 23.37 | 1.02 | 25.91 | 1.19 | 30.23 |
| 20 | 20 | 1.50 | 38.10 | 1.00 | 25.40 | 0.94 | 23.80 | 1.22 | 30.91 | 0.77 | 19.63 | 0.94 | 23.88 | 1.08 | 27.43 | 1.25 | 31.75 |
| 22 | 22 | 1.65 | 41.91 | 1.00 | 25.40 | 1.06 | 26.97 | 1.36 | 34.42 | 0.80 | 20.32 | 0.98 | 24.89 | 1.14 | 28.96 | 1.33 | 33.78 |
| 24 | 24 | 1.75 | 44.45 | 1.00 | 25.40 | 1.19 | 30.18 | 1.44 | 36.65 | 0.82 | 20.90 | 1.01 | 25.65 | 1.20 | 30.48 | 1.40 | 35.56 |

Connector Group - N

Straight, 90°, 45°



Amphenol Part Number



NOTE: * For more cable entry and length options, contact factory

| TABLE - A | | | | | | | | | | | | | | | | | |
|---------------------------------|----------------------|--------------|-------|---------|-------|--------------|-------|--------------|-------|---------|-------|---------|-------|---------|-------|---------|-------|
| AMPHENOL PART NUMBER DESIGNATOR | CONNECTOR SHELL SIZE | A DIA. (MAX) | | B (MAX) | | C DIA. (MIN) | | D DIA. (MAX) | | E (MAX) | | F (MAX) | | G (MAX) | | H (MAX) | |
| | | INCH | MM | INCH | MM | INCH | MM | INCH | MM | INCH | MM | INCH | MM | INCH | MM | INCH | MM |
| 08 | 8 | 0.75 | 19.05 | 1.00 | 25.40 | 0.25 | 6.35 | 0.53 | 13.54 | 0.64 | 16.23 | 0.81 | 20.57 | 0.75 | 19.05 | 0.92 | 23.37 |
| 10 | 10 | 0.85 | 21.59 | 1.00 | 25.40 | 0.38 | 9.53 | 0.61 | 15.37 | 0.66 | 16.87 | 0.84 | 21.34 | 0.81 | 20.57 | 0.98 | 24.89 |
| 12 | 12 | 1.00 | 25.40 | 1.00 | 25.40 | 0.50 | 12.70 | 0.77 | 19.66 | 0.69 | 17.48 | 0.86 | 21.84 | 0.87 | 22.10 | 1.04 | 26.42 |
| 14 | 14 | 1.10 | 27.94 | 1.00 | 25.40 | 0.63 | 15.88 | 0.84 | 21.29 | 0.71 | 17.91 | 0.89 | 22.61 | 0.92 | 23.37 | 1.11 | 28.19 |
| 16 | 16 | 1.25 | 31.75 | 1.00 | 25.40 | 0.75 | 19.05 | 0.94 | 23.77 | 0.73 | 18.59 | 0.91 | 23.11 | 0.98 | 24.89 | 1.17 | 29.72 |
| 18 | 18 | 1.40 | 35.56 | 1.00 | 25.40 | 0.81 | 20.62 | 1.04 | 26.47 | 0.75 | 19.00 | 0.92 | 23.37 | 1.02 | 25.91 | 1.19 | 30.23 |
| 20 | 20 | 1.50 | 38.10 | 1.00 | 25.40 | 0.94 | 23.80 | 1.22 | 30.91 | 0.77 | 19.63 | 0.94 | 23.88 | 1.08 | 27.43 | 1.25 | 31.75 |
| 22 | 22 | 1.65 | 41.91 | 1.00 | 25.40 | 1.06 | 26.97 | 1.36 | 34.42 | 0.80 | 20.32 | 0.98 | 24.89 | 1.14 | 28.96 | 1.33 | 33.78 |
| 24 | 24 | 1.75 | 44.45 | 1.00 | 25.40 | 1.19 | 30.18 | 1.44 | 36.65 | 0.82 | 20.90 | 1.01 | 25.65 | 1.20 | 30.48 | 1.40 | 35.56 |

Компания «Океан Электроники» предлагает заключение долгосрочных отношений при поставках импортных электронных компонентов на взаимовыгодных условиях!

Наши преимущества:

- Поставка оригинальных импортных электронных компонентов напрямую с производств Америки, Европы и Азии, а так же с крупнейших складов мира;
- Широкая линейка поставок активных и пассивных импортных электронных компонентов (более 30 млн. наименований);
- Поставка сложных, дефицитных, либо снятых с производства позиций;
- Оперативные сроки поставки под заказ (от 5 рабочих дней);
- Экспресс доставка в любую точку России;
- Помощь Конструкторского Отдела и консультации квалифицированных инженеров;
- Техническая поддержка проекта, помощь в подборе аналогов, поставка прототипов;
- Поставка электронных компонентов под контролем ВП;
- Система менеджмента качества сертифицирована по Международному стандарту ISO 9001;
- При необходимости вся продукция военного и аэрокосмического назначения проходит испытания и сертификацию в лаборатории (по согласованию с заказчиком);
- Поставка специализированных компонентов военного и аэрокосмического уровня качества (Xilinx, Altera, Analog Devices, Intersil, Interpoint, Microsemi, Actel, Aeroflex, Peregrine, VPT, Syfer, Eurofarad, Texas Instruments, MS Kennedy, Miteq, Cobham, E2V, MA-COM, Hittite, Mini-Circuits, General Dynamics и др.);

Компания «Океан Электроники» является официальным дистрибьютором и эксклюзивным представителем в России одного из крупнейших производителей разъемов военного и аэрокосмического назначения «JONHON», а так же официальным дистрибьютором и эксклюзивным представителем в России производителя высокотехнологичных и надежных решений для передачи СВЧ сигналов «FORSTAR».



JONHON

«JONHON» (основан в 1970 г.)

Разъемы специального, военного и аэрокосмического назначения:

(Применяются в военной, авиационной, аэрокосмической, морской, железнодорожной, горно- и нефтедобывающей отраслях промышленности)

«FORSTAR» (основан в 1998 г.)

ВЧ соединители, коаксиальные кабели,
кабельные сборки и микроволновые компоненты:

(Применяются в телекоммуникациях гражданского и специального назначения, в средствах связи, РЛС, а так же военной, авиационной и аэрокосмической отраслях промышленности).



Телефон: 8 (812) 309-75-97 (многоканальный)

Факс: 8 (812) 320-03-32

Электронная почта: ocean@oceanchips.ru

Web: <http://oceanchips.ru/>

Адрес: 198099, г. Санкт-Петербург, ул. Калинина, д. 2, корп. 4, лит. А