



# UG130: Si86xxT-EVB User's Guide

---

The Si864xxT devices, the latest addition to the Si86xx isolator family, are 4-channel CMOS-based galvanic digital isolators surge rated at 10 kV. Operating up to 150 Mbps, they are available in wide body 16-pin SOIC packages and designed for the stringent isolation needs of the industrial, commercial, and automotive markets. Various channel configurations dictating the number of reverse channels and default output states are also available per the Si86xx data sheet's ordering guide.

The Si864xxT-EVB allows designers to quickly evaluate the Si8642ET's capabilities and functionality, either by driving inputs to logic low via shunts, or injecting signals to the header pins via single wires or a 2x6 ribbon cable (not included).

For more information on our Si86xxT isolators, visit the Silicon Labs website at: <http://www.silabs.com/isolation>. The product data sheet and application notes can be referenced to help facilitate designs.

## KEY POINTS

---

- Discusses kit contents and equipment.
- Describes hardware setup and demonstration.
- Shows EVB schematic and layout.
- Includes bill of materials and the ordering guide for Si864xxT-KIT.

## 1. Kit Contents

The Si864xxT Evaluation Kit contains the following items:

- Si864xxT-EVB evaluation board, shown in the figure below.
- Si8642ET-IS, 4-channel (Reverse: 3 and 4), 150 Mbps, 10 kV, Wide Body, Default High I/O.



Figure 1.1. Si86xxT-EVB

## 2. Required Equipment

The following equipment is required to demonstrate the evaluation board:

- Two DC Power supplies 2.5–5.5 V, 100 mA.
  - (Optionally) Isolated from one another.
- Four banana-to-test-clip cables with clips to supply power to the board.
- Two 2-pin header shunts (included).
- One DMM.
- One DMM Voltage Probe Set.

### 2.1 Optional Equipment

The following equipment is optional and can be used to demonstrate more of the evaluation board functionalities, including signal propagation statistics:

- One Signal generator.
- Two BNC Coaxial cables.
- One BNC splitter.
- One BNC to test-clip connector.
- One 2-Channel Oscilloscope.
- One 10x Voltage Probe.

## 3. Hardware Setup and Demonstration

### 3.1 Powering the Supplies

Both sides of the Si8642ET isolator accept supplies between 2.5-5.5 V. See the figure below.

Perform the following steps to set up the Si864xxT-EVB:

- Remove all shunts.
- Power Side-A.
  - Clip 5.0 V from the first power supply to TP1 (VDD1) and its GND to TP3 or TP5 (GND1).
  - LED, D1, will light up, confirming power is supplied.
- Power Side-B.
  - Clip 5.0 V from the second power supply to TP2 (VDD2) and its GND to TP4 or TP6 (GND2).
  - LED, D2, will light up, confirming power is supplied.

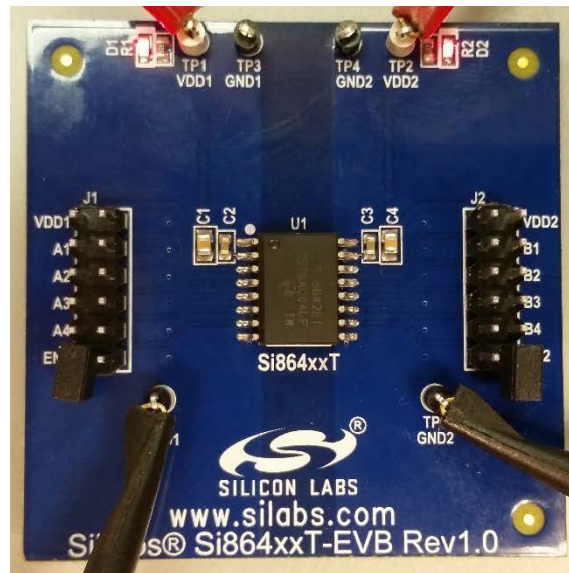


Figure 3.1. EVB — Powered Up

### 3.2 DC Signal Demonstration

#### 3.2.1 Defaults

The default output signal state of the Si8642ET is a logic High, meaning that with all shunts removed (EN1 and EN2 floating), all digital inputs (A1, A2, B3, B4) and all digital outputs (B1, B2, A3, A4) will be at their respective High voltage level. These values can be measured and confirmed using the DMM.

- Remove all shunts.
  - Measure with the DMM that all digital inputs (A1, A2, B3, B4) are logic High.
  - Measure with the DMM that all digital outputs (B1, B2, A3, A4) are logic High.

See [Figure 3.1 EVB — Powered Up on page 3](#).

### 3.2.2 Fail-safes

When power is removed from one side of the isolator, the outputs at the other side of the isolator default to logic High.

- A-side
  - Remove all shunts.
  - Remove A-side power supply.
  - Measure B-side outputs, B1 and B2 and see that they are logic High.
  - Replace A-side power and see B1 and B2 driven to their appropriate states.
- B-side
  - Remove all shunts.
  - Remove B-side power supply.
  - Measure A-side outputs, A3 and A4 and see that they are logic High.
  - Replace B-side power and see A3 and A4 drive to their appropriate states.

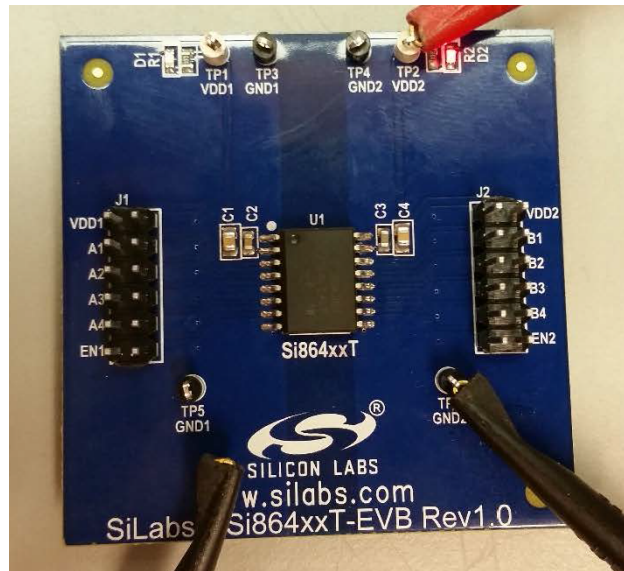


Figure 3.2. EVB — Failsafe, No VDDA

### 3.2.3 Configured

For an example, see the figure below.

- Place a shunt across J1 at A2.
  - This produces a logic Low input on forward channel A2. The Si88642ET will transmit this to the B-side, and the corresponding logic Low can be observed and measured with the DMM on J2, B2.
- Place a shunt across J2 at B3.
  - This produces a logic Low input on reverse channel B3. The Si88642ET will transmit this to the A-side, and the corresponding logic Low can be measured with the DMM on J1, A3.

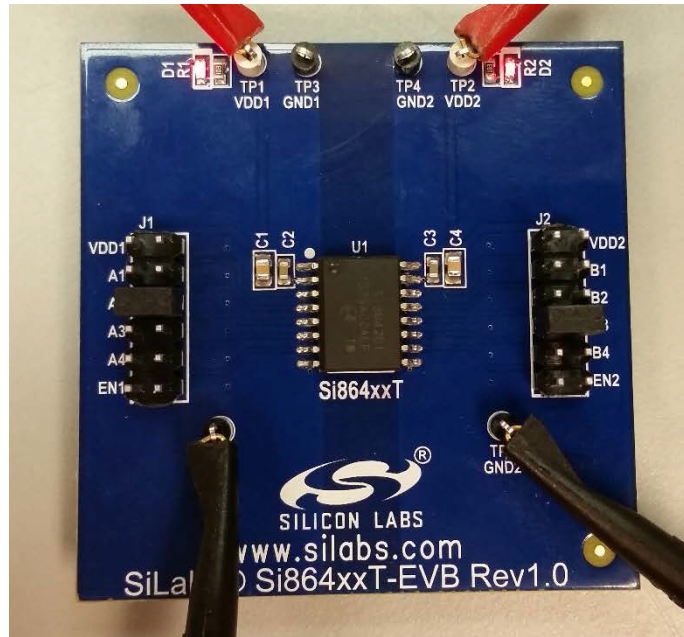


Figure 3.3. EVB Configured for DC Signal Demonstration without Enable

### 3.2.4 Utilizing Enable

For an example, see the figure below.

- Place a shunt across J1 at A2.
  - This produces a logic Low input on forward channel A2. The Si88642ET will transmit this to the B-side, and the corresponding logic Low can be observed and measured with the DMM on J2, B2.
- Place a shunt across J2 at EN2.
  - This drives EN2 to a logic Low input which tri-states outputs B1 and B2. A Hi-Z output can be observed on outputs B1 and B2 with the DMM (appearing as a high), even while A1 is a logic Low and A2 is a logic High.

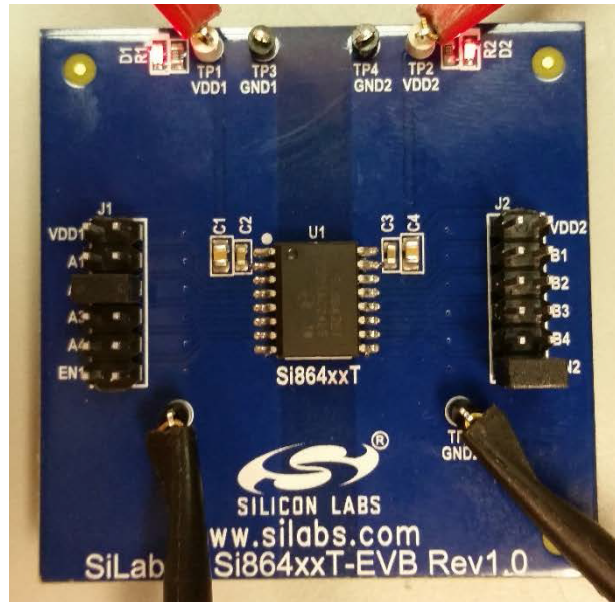


Figure 3.4. EVB Configured for DC Signal Demonstration with Enable

### 3.3 Optional Dynamic Signal Demonstration

**Note:** Logic inputs should NOT exceed the respective VDD.

For an example, see the figure below.

- Remove all shunts.
- Setup signal generator and oscilloscope.
  - Generate 0 V to VDD1 peak, square wave (up to 300 MHz, but within the oscilloscope's capabilities) on the signal generator.
  - Split the signal generator output to two separate BNC cables via the splitter.
  - Attach one BNC cable end to oscilloscope Channel 1 and configure the channel for 1x gain.
  - Attach the 10x oscilloscope probe to oscilloscope channel 2 configure the channel for 10x gain.
  - Connect the remaining BNC cable end to the BNC-to-test-clip adapter.
  - Clip the signal generator's output to A2 relative to GND1 (via either TP5 or TP3).
  - Clip the oscilloscope probe's signal line on B1 and reference to GND2 (via either TP4 or TP6).
- Observe Channel 1 (input – A2) and Channel 2 (output – B2) on the oscilloscope for various parametrics such as skew and jitter.

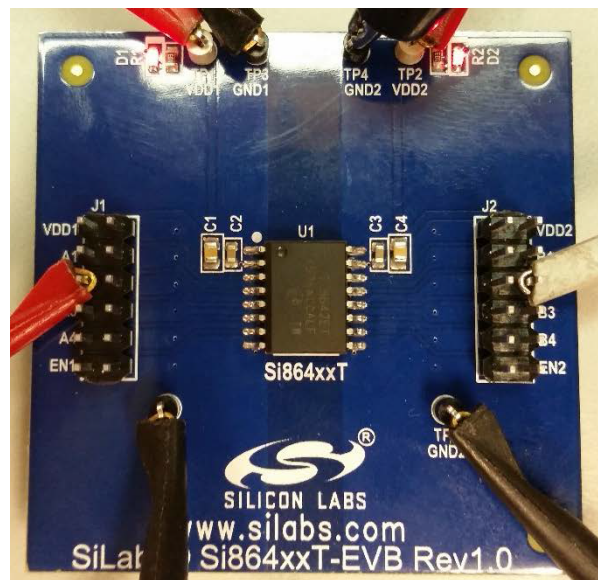


Figure 3.5. EVB Configured for Dynamic Signal Demonstration without Enable



### 4. Schematics

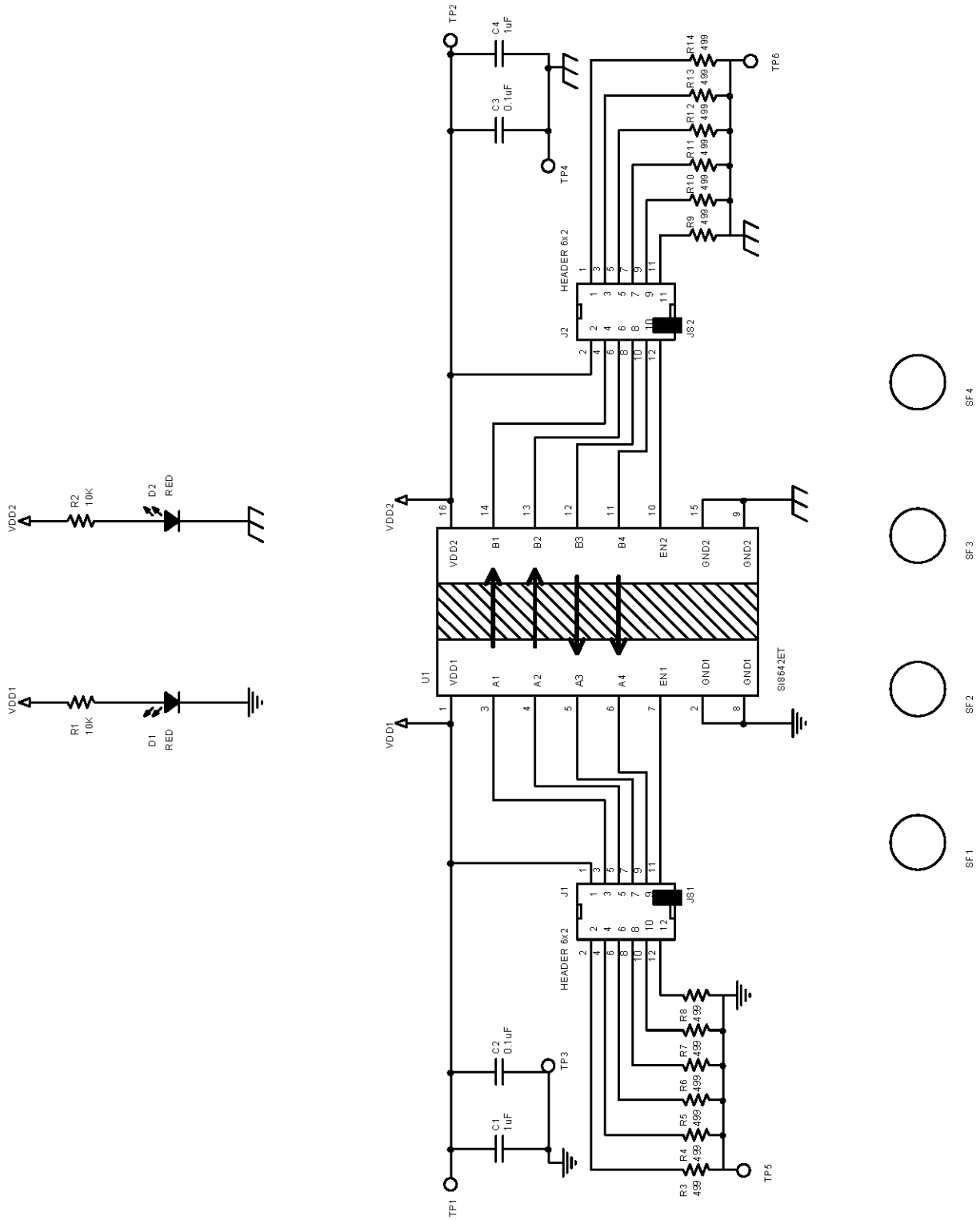


Figure 4.1. Si86xxT-EVB Schematic

## 5. Layout

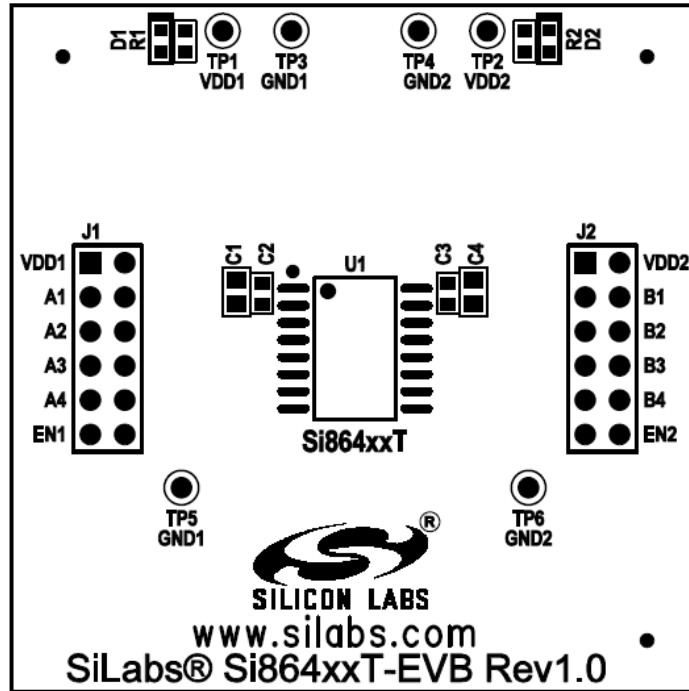


Figure 5.1. EVB — Top Silk

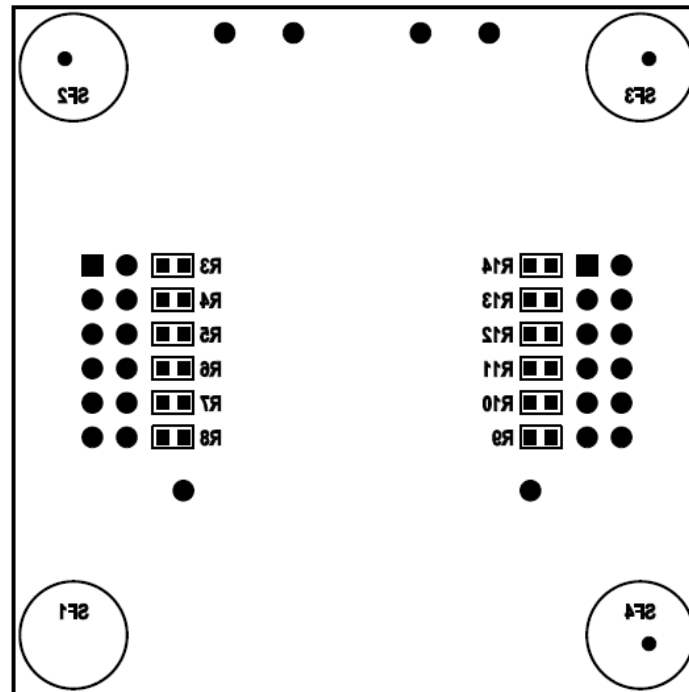


Figure 5.2. EVB — Bottom Silk

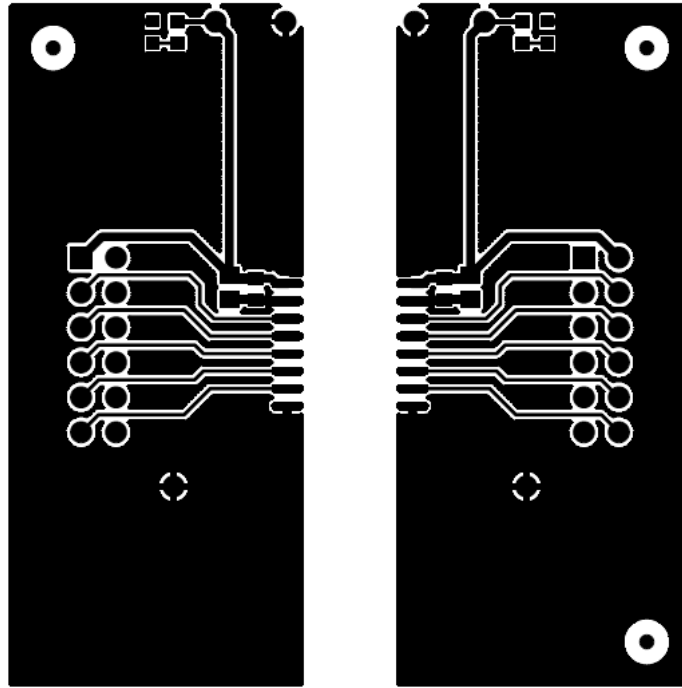


Figure 5.3. EVB — Top Copper

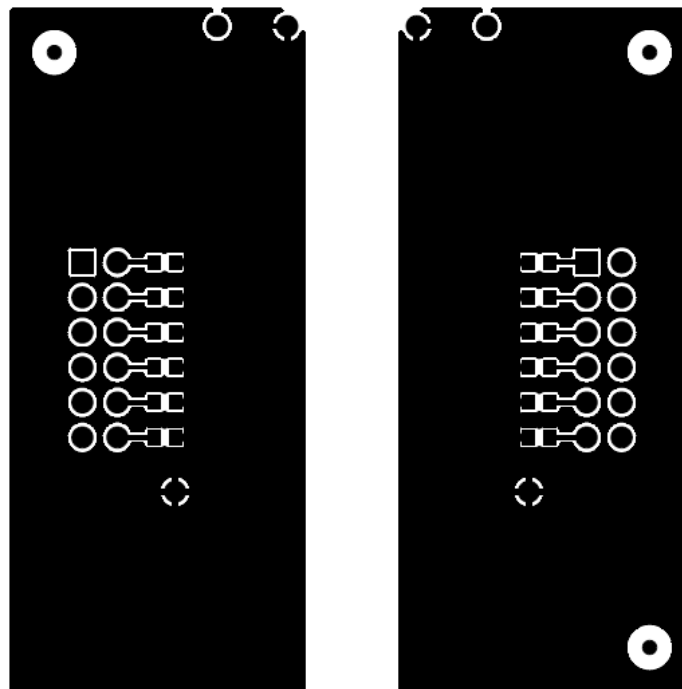


Figure 5.4. EVB — Bottom Copper

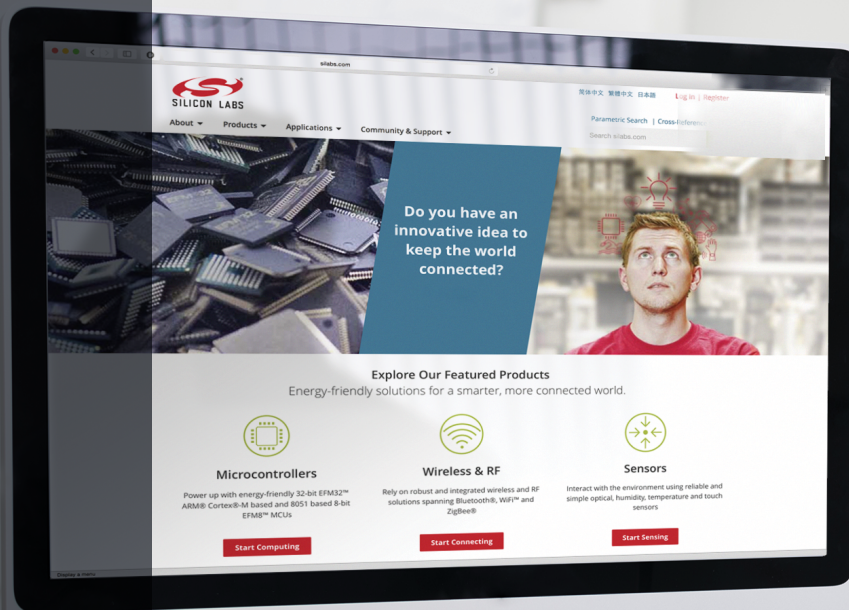
## 6. Bill of Materials

**Table 6.1. Si86xxT-EVB Bill of Materials**

Item No.	Quantity	Reference	Value	Manufacturer PN	Manufacturer
1	2	C1, C4	1 $\mu$ F	CL21B105KBFNNNE	Samsung
2	2	C2, C3	0.1 $\mu$ F	C0603X7R500-104K	Venkel
3	2	D1, D2	RED	LTST-C190KRKT	LITE-ON TECHNOLOGY CORP
4	2	J1, J2	HEADER 6x2	TSW-106-07-T-D	Samtec
5	2	JS1, JS2	Jumper Shunt	SNT-100-BK-T	Samtec
6	1	PCB1	Si864xxT-EVB REV 1.0	Si864xxT-EVB REV 1.0	SiLabs
7	2	R1, R2	10K	CR0603-10W-103J	Venkel
8	12	R3, R4, R5, R6, R7, R8, R9, R10, R11, R12, R13, R14	499	CR0603-10W-4990F	Venkel
9	4	SF1, SF2, SF3, SF4	BUMPER	SJ61A6	3M
10	2	TP1, TP2	WHITE	151-201-RC	Kobiconn
11	4	TP3, TP4, TP5, TP6	BLACK	151-203-RC	Kobiconn
12	1	U1	Si8642ET	Si8642ET-IS	SiLabs

## 7. Ordering Guide

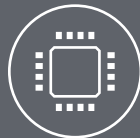
Ordering Part Number (OPN)	Description
Si864xxT-KIT	Si8642ET 4-channel 10 kV Isolator Evaluation Kit



Smart.  
Connected.  
Energy-Friendly



Products  
[www.silabs.com/products](http://www.silabs.com/products)



Quality  
[www.silabs.com/quality](http://www.silabs.com/quality)



Support and Community  
[community.silabs.com](http://community.silabs.com)

#### Disclaimer

Silicon Laboratories intends to provide customers with the latest, accurate, and in-depth documentation of all peripherals and modules available for system and software implementers using or intending to use the Silicon Laboratories products. Characterization data, available modules and peripherals, memory sizes and memory addresses refer to each specific device, and "Typical" parameters provided can and do vary in different applications. Application examples described herein are for illustrative purposes only. Silicon Laboratories reserves the right to make changes without further notice and limitation to product information, specifications, and descriptions herein, and does not give warranties as to the accuracy or completeness of the included information. Silicon Laboratories shall have no liability for the consequences of use of the information supplied herein. This document does not imply or express copyright licenses granted hereunder to design or fabricate any integrated circuits. The products must not be used within any Life Support System without the specific written consent of Silicon Laboratories. A "Life Support System" is any product or system intended to support or sustain life and/or health, which, if it fails, can be reasonably expected to result in significant personal injury or death. Silicon Laboratories products are generally not intended for military applications. Silicon Laboratories products shall under no circumstances be used in weapons of mass destruction including (but not limited to) nuclear, biological or chemical weapons, or missiles capable of delivering such weapons.

#### Trademark Information

Silicon Laboratories Inc., Silicon Laboratories, Silicon Labs, SiLabs and the Silicon Labs logo, CMEMS®, EFM, EFM32, EFR, Energy Micro, Energy Micro logo and combinations thereof, "the world's most energy friendly microcontrollers", Ember®, EZLink®, EZMac®, EZRadio®, EZRadioPRO®, DSPLL®, ISOmodem®, Precision32®, ProSLIC®, SiPHY®, USBXpress® and others are trademarks or registered trademarks of Silicon Laboratories Inc. ARM, CORTEX, Cortex-M3 and THUMB are trademarks or registered trademarks of ARM Holdings. Keil is a registered trademark of ARM Limited. All other products or brand names mentioned herein are trademarks of their respective holders.



**SILICON LABS**

Silicon Laboratories Inc.  
400 West Cesar Chavez  
Austin, TX 78701  
USA

<http://www.silabs.com>

Компания «Океан Электроники» предлагает заключение долгосрочных отношений при поставках импортных электронных компонентов на взаимовыгодных условиях!

Наши преимущества:

- Поставка оригинальных импортных электронных компонентов напрямую с производств Америки, Европы и Азии, а так же с крупнейших складов мира;
- Широкая линейка поставок активных и пассивных импортных электронных компонентов (более 30 млн. наименований);
- Поставка сложных, дефицитных, либо снятых с производства позиций;
- Оперативные сроки поставки под заказ (от 5 рабочих дней);
- Экспресс доставка в любую точку России;
- Помощь Конструкторского Отдела и консультации квалифицированных инженеров;
- Техническая поддержка проекта, помощь в подборе аналогов, поставка прототипов;
- Поставка электронных компонентов под контролем ВП;
- Система менеджмента качества сертифицирована по Международному стандарту ISO 9001;
- При необходимости вся продукция военного и аэрокосмического назначения проходит испытания и сертификацию в лаборатории (по согласованию с заказчиком);
- Поставка специализированных компонентов военного и аэрокосмического уровня качества (Xilinx, Altera, Analog Devices, Intersil, Interpoint, Microsemi, Actel, Aeroflex, Peregrine, VPT, Syfer, Eurofarad, Texas Instruments, MS Kennedy, Miteq, Cobham, E2V, MA-COM, Hittite, Mini-Circuits, General Dynamics и др.);

Компания «Океан Электроники» является официальным дистрибьютором и эксклюзивным представителем в России одного из крупнейших производителей разъемов военного и аэрокосмического назначения «JONHON», а так же официальным дистрибьютором и эксклюзивным представителем в России производителя высокотехнологичных и надежных решений для передачи СВЧ сигналов «FORSTAR».



## JONHON

«JONHON» (основан в 1970 г.)

Разъемы специального, военного и аэрокосмического назначения:

(Применяются в военной, авиационной, аэрокосмической, морской, железнодорожной, горно- и нефтедобывающей отраслях промышленности)

«FORSTAR» (основан в 1998 г.)

ВЧ соединители, коаксиальные кабели, кабельные сборки и микроволновые компоненты:

(Применяются в телекоммуникациях гражданского и специального назначения, в средствах связи, РЛС, а так же военной, авиационной и аэрокосмической отраслях промышленности).



Телефон: 8 (812) 309-75-97 (многоканальный)

Факс: 8 (812) 320-03-32

Электронная почта: [ocean@oceanchips.ru](mailto:ocean@oceanchips.ru)

Web: <http://oceanchips.ru/>

Адрес: 198099, г. Санкт-Петербург, ул. Калинина, д. 2, корп. 4, лит. А