



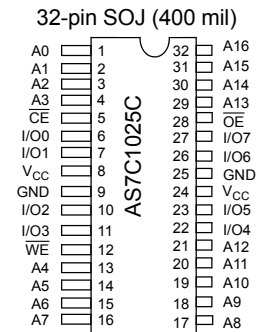
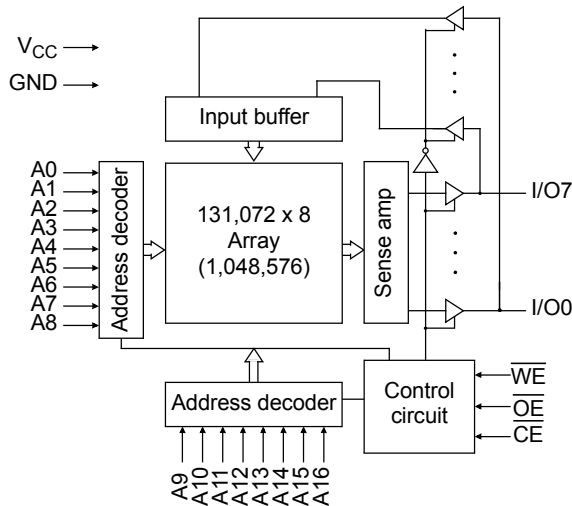
5V 128K X 8 CMOS SRAM (Center power and ground)

**Features**

- Industrial (-40° to 85°C) temperature.
- Organization: 131,072 x 8 bits
- High speed
  - 15 ns address access time
  - 6 ns output enable access time
- Low power consumption via chip deselect
- Easy memory expansion with  $\overline{CE}$ ,  $\overline{OE}$  inputs
- Center power and ground
- TTL/LVTTL-compatible, three-state I/O
- JEDEC-standard package
  - 32-pin, 400 mil SOJ
- ESD protection  $\geq 2000$  volts

**Pin arrangement**

**Logic block diagram**





## Functional description

The AS7C1025C is a 5V high-performance CMOS 1,048,576-bit Static Random Access Memory (SRAM) devices organized as 131,072 x 8 bits. They are designed for memory applications where fast data access, low power, and simple interfacing are desired.

Equal address access and cycle times ( $t_{AA}$ ,  $t_{RC}$ ,  $t_{WC}$ ) of 15 ns with output enable access times ( $t_{OE}$ ) of 6 ns are ideal for high-performance applications. The chip enable input CE permits easy memory and expansion with multiple-bank memory systems.

When  $\overline{CE}$  is high, the device enters standby mode. If inputs are still toggling, the device will consume  $I_{SB}$  power. If the bus is static, then full standby power is reached ( $I_{SB1}$ ).

A write cycle is accomplished by asserting write enable ( $\overline{WE}$ ) and chip enable ( $\overline{CE}$ ). Data on the input pins I/O0 through I/O7 is written on the rising edge of  $\overline{WE}$  (write cycle 1) or  $\overline{CE}$  (write cycle 2). To avoid bus contention, external devices should drive I/O pins only after outputs have been disabled with output enable ( $\overline{OE}$ ) or write enable ( $\overline{WE}$ ).

A read cycle is accomplished by asserting output enable ( $\overline{OE}$ ) and chip enable ( $\overline{CE}$ ), with write enable ( $\overline{WE}$ ) high. The chips drive I/O pins with the data word referenced by the input address. When either chip enable or output enable is inactive or write enable is active, output drivers stay in high-impedance mode.

All chip inputs and outputs are TTL-compatible, and operation is from a single 5 V supply. The AS7C1025C is packaged in common industry standard packages.

## Absolute maximum ratings

Parameter	Symbol	Min	Max	Unit
Voltage on $V_{CC}$ relative to GND	$V_{t1}$	-0.50	+7.0	V
Voltage on any pin relative to GND	$V_{t2}$	-0.50	$V_{CC} + 0.5$	V
Power dissipation	$P_D$	-	1.25	W
Storage temperature (plastic)	$T_{stg}$	-55	+125	°C
Ambient temperature with $V_{CC}$ applied	$T_{bias}$	-55	+125	°C
DC current into outputs (low)	$I_{OUT}$	-	50	mA

### Note:

Stresses greater than those listed under *Absolute Maximum Ratings* may cause permanent damage to the device. This is a stress rating only and functional operation of the device at these or any other conditions outside those indicated in the operational sections of this specification is not implied. Exposure to absolute maximum rating conditions for extended periods may affect reliability.

## Truth table

$\overline{CE}$	$\overline{WE}$	$\overline{OE}$	Data	Mode
H	X	X	High Z	Standby ( $I_{SB}$ , $I_{SB1}$ )
L	H	H	High Z	Output disable ( $I_{CC}$ )
L	H	L	$D_{OUT}$	Read ( $I_{CC}$ )
L	L	X	$D_{IN}$	Write ( $I_{CC}$ )

Key: X = don't care, L = low, H = high.



### Recommended operating conditions

Parameter	Symbol	Min	Nominal	Max	Unit
Supply voltage	$V_{CC}$	4.5	5.0	5.5	V
Input voltage	$V_{IH}$	2.2	–	$V_{CC} + 0.5$	V
	$V_{IL}$	-0.5	–	0.8	V
Ambient operating temperature (Industrial)	$T_A$	-40	–	85	°C

#### Notes:

$V_{IL}$  min = -1.0V for pulse width less than 5ns, once per cycle.

$V_{IH}$  max =  $V_{CC} + 2.0V$  for pulse width less than 5ns, once per cycle.

### DC operating characteristics (over the operating range)<sup>1</sup>

Parameter	Symbol	Test conditions	AS7C1025C-15		Unit
			Min	Max	
Input leakage current	$ I_{LI} $	$V_{CC} = \text{Max}, V_{IN} = \text{GND to } V_{CC}$	–	5	$\mu\text{A}$
Output leakage current	$ I_{LO} $	$V_{CC} = \text{Max}, \overline{CE} = V_{IH}, V_{out} = \text{GND to } V_{CC}$	–	5	$\mu\text{A}$
Operating power supply current	$I_{CC}$	$V_{CC} = \text{Max}$ $\overline{CE} ? V_{IL}, f = f_{Max}, I_{OUT} = 0 \text{ mA}$	–	160	mA
Standby power supply current <sup>1</sup>	$I_{SB}$	$V_{CC} = \text{Max}$ $\overline{CE} ? V_{IH}, f = f_{Max}$	–	40	mA
	$I_{SB1}$	$V_{CC} = \text{Max}$ $\overline{CE} ? V_{CC} - 0.2 \text{ V},$ $V_{IN} ? 0.2 \text{ V or } V_{IN} ? V_{CC} - 0.2 \text{ V},$ $f = 0$		10	mA
Output voltage	$V_{OL}$	$I_{OL} = 8 \text{ mA}, V_{CC} = \text{Min}$	–	0.4	V
	$V_{OH}$	$I_{OH} = -4 \text{ mA}, V_{CC} = \text{Min}$	2.4	–	V

### Capacitance ( $f = 1 \text{ MHz}, T_a = 25^\circ \text{ C}, V_{CC} = \text{NOMINAL}$ )<sup>2</sup>

Parameter	Symbol	Signals	Test conditions	Max	Unit
Input capacitance	$C_{IN}$	A, $\overline{CE}$ , $\overline{WE}$ , $\overline{OE}$	$V_{IN} = 3\text{dV}$	8	pF
I/O capacitance	$C_{I/O}$	I/O	$V_{IN} = V_{OUT} = 3\text{dV}$	8	pF

#### Note:

This parameter is guaranteed by device characterization, but is not production tested.



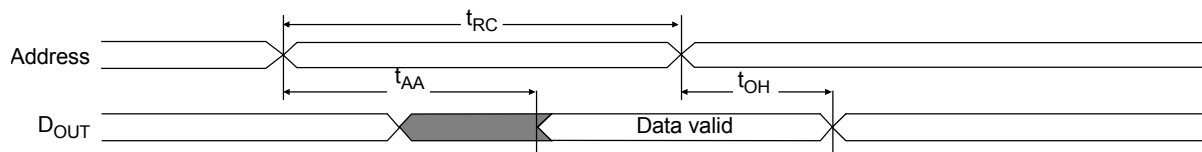
### Read cycle (over the operating range)<sup>3,9</sup>

Parameter	Symbol	AS7C1025C-15		Unit	Notes
		Min	Max		
Read cycle time	$t_{RC}$	15	–	ns	
Address access time	$t_{AA}$	–	15	ns	3
Chip enable ( $\overline{CE}$ ) access time	$t_{ACE}$	–	15	ns	3
Output enable ( $\overline{OE}$ ) access time	$t_{OE}$	–	6	ns	
Output hold from address change	$t_{OH}$	4	–	ns	5
$\overline{CE}$ low to output in low Z	$t_{CLZ}$	3	–	ns	4, 5
$\overline{CE}$ low to output in high Z	$t_{CHZ}$	0	6	ns	4, 5
$\overline{OE}$ low to output in low Z	$t_{OLZ}$	0	–	ns	4, 5
$\overline{OE}$ high to output in high Z	$t_{OHZ}$	0	5	ns	4, 5
Power up time	$t_{PU}$	0	–	ns	4, 5
Power down time	$t_{PD}$	–	12	ns	4, 5

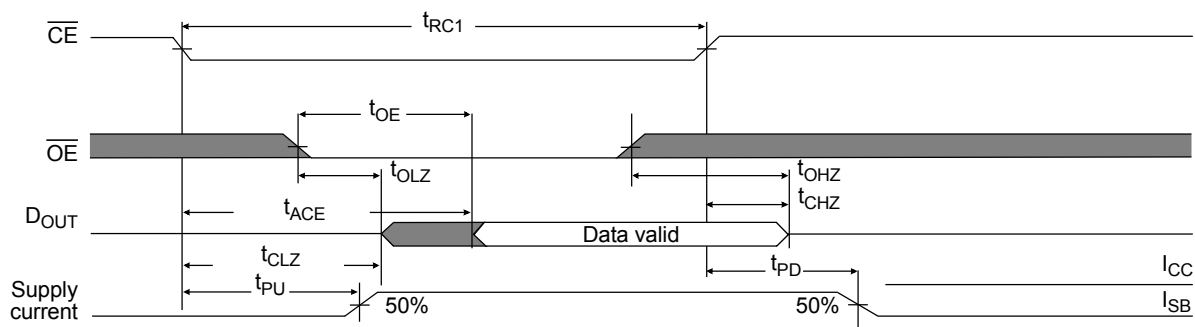
### Key to switching waveforms

 Rising input     
  Falling input     
  Undefined/don't care

### Read waveform 1 (address controlled)<sup>3,6,7,9</sup>



### Read waveform 2 ( $\overline{CE}$ and $\overline{OE}$ controlled)<sup>3,6,8,9</sup>

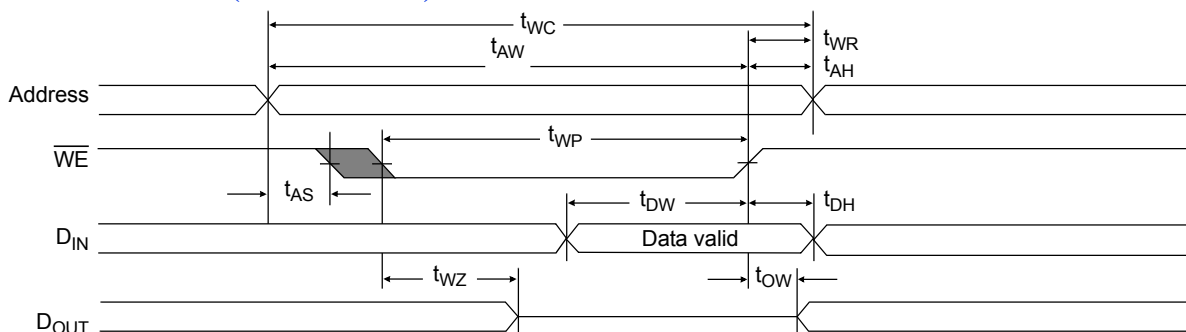




### Write cycle (over the operating range)<sup>11</sup>

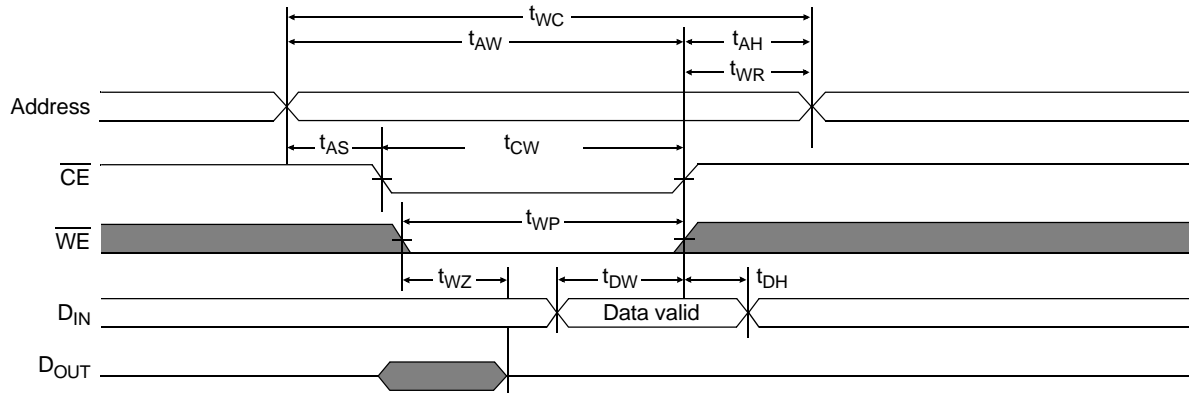
Parameter	Symbol	AS7C1025C-15		Unit	Notes
		Min	Max		
Write cycle time	$t_{WC}$	15	–	ns	
Chip enable ( $\overline{CE}$ ) to write end	$t_{CW}$	8	–	ns	
Address setup to write end	$t_{AW}$	8	–	ns	
Address setup time	$t_{AS}$	0	–	ns	
Write pulse width	$t_{WP}$	8	–	ns	
Write recovery time	$t_{WR}$	0	–	ns	
Address hold from end of write	$t_{AH}$	0	–	ns	
Data valid to write end	$t_{DW}$	6	–	ns	
Data hold time	$t_{DH}$	0	–	ns	4, 5
Write enable to output in high Z	$t_{WZ}$	–	5	ns	4, 5
Output active from write end	$t_{OW}$	3	–	ns	4, 5

### Write waveform 1 ( $\overline{WE}$ controlled)<sup>10,11</sup>





### Write waveform 2 ( $\overline{\text{CE}}$ controlled)<sup>10,11</sup>



### AC test conditions

- Output load: see Figure B.
- Input pulse level: GND to 30 V. See Figure A.
- Input rise and fall times: 3 ns. See Figure A.
- Input and output timing reference levels: 1.5 V.

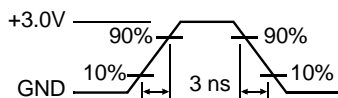


Figure A: Input pulse

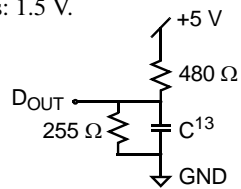
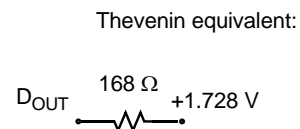


Figure B: 5 V Output load



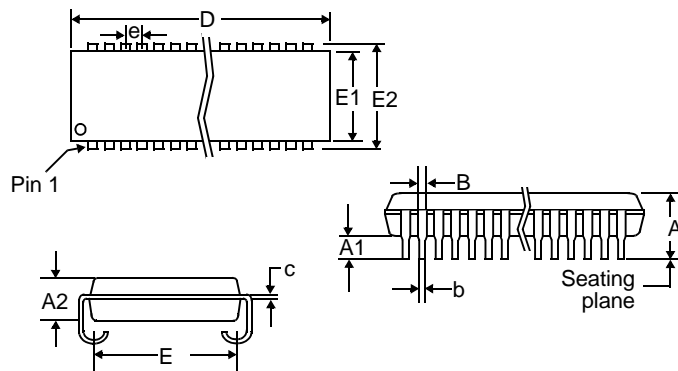
### Notes:

- 1 During  $V_{CC}$  power-up, a pull-up resistor to  $V_{CC}$  on  $\overline{\text{CE}}$  is required to meet  $I_{SB}$  specification.
- 2 This parameter is sampled, but not 100% tested.
- 3 For test conditions, see *AC Test Conditions*, Figures A and B.
- 4  $t_{CLZ}$  and  $t_{CHZ}$  are specified with  $C_L = 5$  pF, as in Figure B. Transition is measured  $\pm 200$  mV from steady-state voltage.
- 5 This parameter is guaranteed, but not 100% tested.
- 6  $\overline{\text{WE}}$  is high for read cycle.
- 7  $\overline{\text{CE}}$  and  $\overline{\text{OE}}$  are low for read cycle.
- 8 Address is valid prior to or coincident with  $\overline{\text{CE}}$  transition low.
- 9 All read cycle timings are referenced from the last valid address to the first transitioning address.
- 10 N/A
- 11 All write cycle timings are referenced from the last valid address to the first transitioning address.
- 12 N/A.
- 13  $C = 30$  pF, except all high Z and low Z parameters where  $C = 5$  pF.



## Package dimensions

32-pin SOJ  
400 mil



Symbol	32-pin SOJ 400 mil	
	Min	Max
A	0.132	0.146
A1	0.025	-
A2	0.105	0.115
B	0.026	0.032
b	0.015	0.020
c	0.007	0.013
D	0.820	0.830
E	0.354	0.378
E1	0.395	0.405
E2	0.435	0.445
e	0.050 BSC	

Note: This part is compatible with both pin numbering conventions used by various manufacturers.



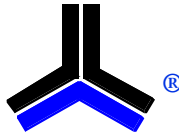
### Ordering Codes

Package	Volt/Temp	15 ns
Plastic SOJ, 400 mil	5V industrial	AS7C1025C-15JIN

### Part numbering system

AS7C	1025C	-XX	X	X	X
SRAM prefix	Device number	Access time	Package: J = SOJ 400 mil	Temperature range I = industrial, -40° C to 85° C	N = LEAD FREE PART





Alliance Memory, Inc.  
1116 South Amphlett  
San Mateo, CA 94402  
Tel: 650-525-3737  
Fax: 650-525-0449  
[www.alliancememory.com](http://www.alliancememory.com)

Copyright © Alliance Memory  
All Rights Reserved  
Part Number: AS7C1025C  
Document Version: v. 1.0

© Copyright 2003 Alliance Memory, Inc. All rights reserved. Our three-point logo, our name and Intelliwatt are trademarks or registered trademarks of Alliance. All other brand and product names may be the trademarks of their respective companies. Alliance reserves the right to make changes to this document and its products at any time without notice. Alliance assumes no responsibility for any errors that may appear in this document. The data contained herein represents Alliance's best data and/or estimates at the time of issuance. Alliance reserves the right to change or correct this data at any time, without notice. If the product described herein is under development, significant changes to these specifications are possible. The information in this product data sheet is intended to be general descriptive information for potential customers and users, and is not intended to operate as, or provide, any guarantee or warranty to any user or customer. Alliance does not assume any responsibility or liability arising out of the application or use of any product described herein, and disclaims any express or implied warranties related to the sale and/or use of Alliance products including liability or warranties related to fitness for a particular purpose, merchantability, or infringement of any intellectual property rights, except as express agreed to in Alliance's Terms and Conditions of Sale (which are available from Alliance). All sales of Alliance products are made exclusively according to Alliance's Terms and Conditions of Sale. The purchase of products from Alliance does not convey a license under any patent rights, copyrights; mask works rights, trademarks, or any other intellectual property rights of Alliance or third parties. Alliance does not authorize its products for use as critical components in life-supporting systems where a malfunction or failure may reasonably be expected to result in significant injury to the user, and the inclusion of Alliance products in such life-supporting systems implies that the manufacturer assumes all risk of such use and agrees to indemnify Alliance against all claims arising from such use.

Компания «Океан Электроники» предлагает заключение долгосрочных отношений при поставках импортных электронных компонентов на взаимовыгодных условиях!

Наши преимущества:

- Поставка оригинальных импортных электронных компонентов напрямую с производств Америки, Европы и Азии, а так же с крупнейших складов мира;
- Широкая линейка поставок активных и пассивных импортных электронных компонентов (более 30 млн. наименований);
- Поставка сложных, дефицитных, либо снятых с производства позиций;
- Оперативные сроки поставки под заказ (от 5 рабочих дней);
- Экспресс доставка в любую точку России;
- Помощь Конструкторского Отдела и консультации квалифицированных инженеров;
- Техническая поддержка проекта, помощь в подборе аналогов, поставка прототипов;
- Поставка электронных компонентов под контролем ВП;
- Система менеджмента качества сертифицирована по Международному стандарту ISO 9001;
- При необходимости вся продукция военного и аэрокосмического назначения проходит испытания и сертификацию в лаборатории (по согласованию с заказчиком);
- Поставка специализированных компонентов военного и аэрокосмического уровня качества (Xilinx, Altera, Analog Devices, Intersil, Interpoint, Microsemi, Actel, Aeroflex, Peregrine, VPT, Syfer, Eurofarad, Texas Instruments, MS Kennedy, Miteq, Cobham, E2V, MA-COM, Hittite, Mini-Circuits, General Dynamics и др.);

Компания «Океан Электроники» является официальным дистрибьютором и эксклюзивным представителем в России одного из крупнейших производителей разъемов военного и аэрокосмического назначения «**JONHON**», а так же официальным дистрибьютором и эксклюзивным представителем в России производителя высокотехнологичных и надежных решений для передачи СВЧ сигналов «**FORSTAR**».



## JONHON

«**JONHON**» (основан в 1970 г.)

Разъемы специального, военного и аэрокосмического назначения:

(Применяются в военной, авиационной, аэрокосмической, морской, железнодорожной, горно- и нефтедобывающей отраслях промышленности)

«**FORSTAR**» (основан в 1998 г.)

ВЧ соединители, коаксиальные кабели,  
кабельные сборки и микроволновые компоненты:

(Применяются в телекоммуникациях гражданского и специального назначения, в средствах связи, РЛС, а так же военной, авиационной и аэрокосмической отраслях промышленности).



Телефон: 8 (812) 309-75-97 (многоканальный)

Факс: 8 (812) 320-03-32

Электронная почта: [ocean@oceanchips.ru](mailto:ocean@oceanchips.ru)

Web: <http://oceanchips.ru/>

Адрес: 198099, г. Санкт-Петербург, ул. Калинина, д. 2, корп. 4, лит. А