

## 1 A 36V Input Low Supply Current LDO

NO.EA-329-190212

### OUTLINE

R1518x is a CMOS-based LDO that specifically designed for automotive applications featuring 1 A output current and 36 V input voltage. In addition to a conventional regulator circuit, R1518x consists of a constant slope circuit as a soft-start function, a fold-back protection circuit, a short current limit circuit, and a thermal shutdown circuit. Besides the low supply current by CMOS, the operating temperature is  $-40^{\circ}\text{C}$  to  $105^{\circ}\text{C}$  and the maximum input voltage is 36 V, the R1518x is very suitable for power source of car accessories.

R1518x is available in R1518xxxxB/D/E/F with the internally fixed output voltage, and R1518xxxxD/F with the auto-discharge function at standby.

R1518x001C can adjust the output voltage with an external resistor. R1518xxxxB/C/D internally fixes the soft-start time at 120  $\mu\text{s}$  (Typ). R1518xxxxE/F can adjust the soft-start time with an external capacitor.

R1518x is available in two packages for ultra high wattage: HSOP-6J and TO-252-5-P2.

### FEATURES

- Input Voltage Range (Maximum Rating) ..... 3.5 V to 36.0 V (50.0V)
- Operating Temperature rang .....  $-40^{\circ}\text{C}$  to  $105^{\circ}\text{C}$
- Supply Current ..... Typ. 18  $\mu\text{A}$
- Standby Current ..... Typ. 0.1  $\mu\text{A}$
- Dropout Voltage ..... Typ. 0.7 V ( $I_{\text{OUT}} = 1 \text{ A}$ ,  $V_{\text{OUT}} = 5.0 \text{ V}$ )
- Output Voltage Accuracy .....  $\pm 0.8\%$  ( $V_{\text{OUT}} \leq 5.0 \text{ V}$ )
- Line Regulation ..... Typ. 0.01%/V
- Packages ..... HSOP-6J, TO-252-5-P2
- Output Voltage Range ..... R1518xxxxB/D/E/F:  
2.5V/3.3V/3.4V/5.0V/6.0V/8.5V/9.0V  
\*Contact Ricoh sales representatives  
for other voltages  
R1518x001C: Adjustable from 2.5 V to 12.0 V  
with external resistor  
Feedback Voltage: 2.5 V
- Built-in Short Current Limit Circuit ..... Typ. 150 mA
- Built-in Fold-Back Protection Circuit ..... Min. 1A
- Built-in Thermal Shutdown Circuit ..... Typ.  $160^{\circ}\text{C}$
- Built-in Soft-start Circuit ..... Typ. 120  $\mu\text{s}$   
R1518xxxxE/F: Adjustable Time Setting with  
External Capacitors.

---

## R1518x

---

NO.EA-329-190212

- Ceramic Capacitors can be used ..... R1518xxxxB/D/E/F: 0.1  $\mu$ F or more  
R1518x001C: 1.0  $\mu$ F or more

## APPLICATIONS

- Power source for home appliances such as refrigerators, rice cookers, electric water warmers.
- Power source for notebook PCs, digital TVs, telephones, private LAN systems.
- Power source for office equipment such as copiers, printers, facsimiles, scanners, and projectors

## SELECTION GUIDE

The output voltage, version, and package type for this device can be selected at the user's request.

Product Name	Package	Quantity per Reel	Pb Free	Halogen Free
R1518Sxx1*-E2-FE	HSOP-6J	1,000 pcs	Yes	Yes
R1518Jxx1*-T1-FE	TO-252-5-P2	3,000 pcs	Yes	Yes

xx: Specify the set output voltage ( $V_{SET}$ )

2.5 V (25) / 3.3 V (33) / 3.4 V (34) / 5.0 V (50) / 6.0 V (60) / 8.5 V (85) / 9.0 V (90)

Note: Contact Ricoh sales representatives for other voltages.

Adjustable output voltage setting type is fixed to (00)

**Note: R1518x001C-T1-#E only support**

\* : Specify the version with desired functions

B: No auto-discharge function

C: No auto-discharge function / Adjustable output voltage setting

D: Auto-discharge function

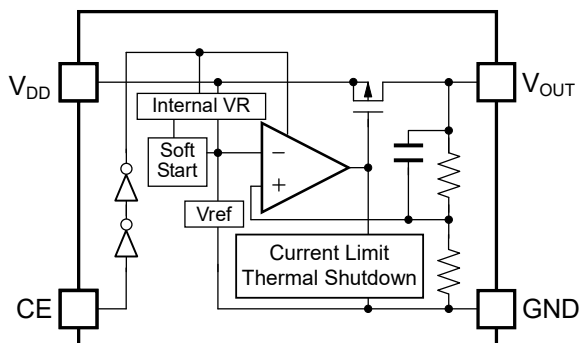
E: No auto-discharge function / Adjustable soft-start time setting

F: Auto-discharge function / Adjustable soft-start time setting

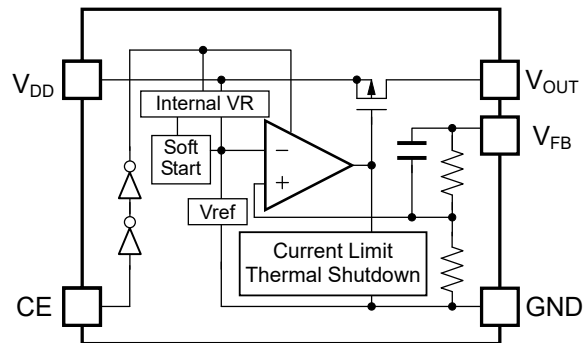
Auto-Discharge function quickly lowers the output voltage to 0 V by releasing the electrical charge in the external capacitor when the chip enable signal is switched from the active mode to the standby mode.

**BLOCK DIAGRAMS**

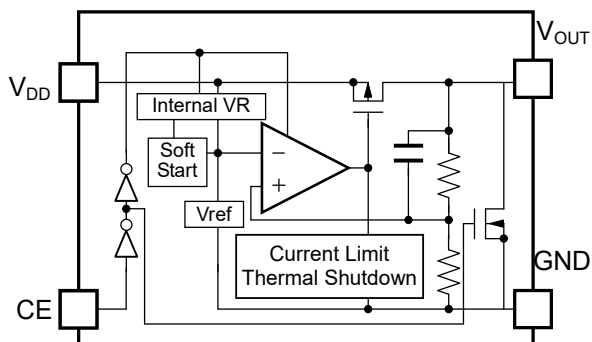
**R1518xxxxB**



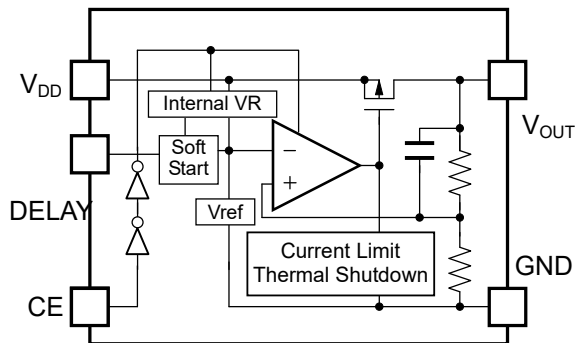
**R1518x001C**



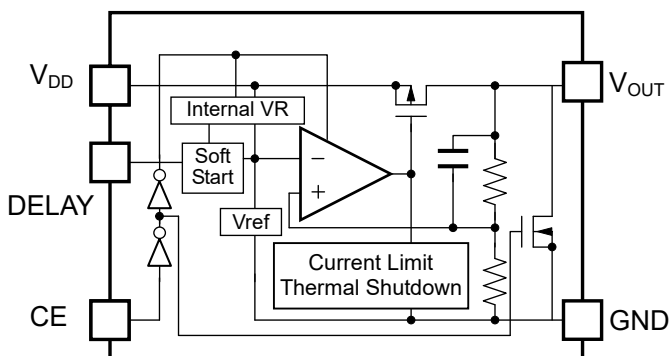
**R1518xxxxD**



**R1518xxxxE**



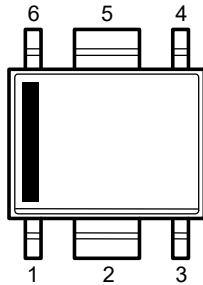
**R1518xxxxF**



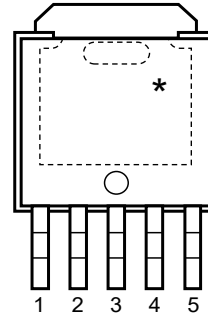
## R1518x

NO.EA-329-190212

### PIN DESCRIPTION



**HSOP-6J**



**TO-252-5-P2**

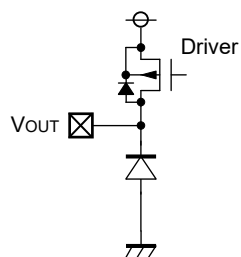
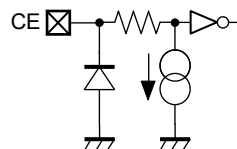
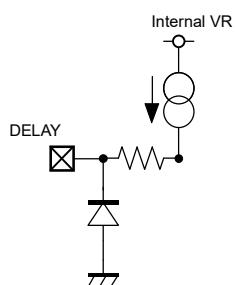
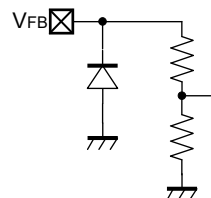
#### HSOP-6J

Pin No.	Symbol	Description	
1	VDD	Input Pin	
2	GND	Ground Pin	
3	NC	No Connection	R1518SxxxB/D
	VFB	Feedback Pin	R1518S001C
	DELAY	Adjustable Soft-start Time Pin	R1518SxxxE/F
4	CE	Chip Enable Pin, Active-high	
5	GND	Ground Pin	
6	VOUT	Output Pin	

#### TO-252-5-P2

Pin No.	Symbol	Description	
1	VDD	Input Pin	
2	NC	No Connection	R1518Jxx1B/D
	VFB	Feedback Pin	R1518J001C
	DELAY	Adjustable Soft-start Time Pin	R1518Jxx1E/F
3	GND	Ground Pin	
4	CE	Chip Enable Pin, Active-high	
5	VOUT	Output Pin	

\* The tab on the bottom of the package enhances thermal performance and is electrically connected to GND (substrate level). The tab is recommended to connect to the ground plane on the board. Otherwise it may be left floating.

**PIN EQUIVALENT CIRCUIT DIAGRAMS****V<sub>OUT</sub> Pin****CE Pin****DELAY Pin  
(R1518xxxxE/F)****V<sub>FB</sub> Pin  
(R1518x001C)**

## R1518x

NO.EA-329-190212

### ABSOLUTE MAXIMUM RATINGS

Symbol	Item	Rating	Unit	
$V_{IN}$	Input Voltage	-0.3 to 50	V	
$V_{IN}$	Peak Input Voltage <sup>(1)</sup>	60	V	
$V_{CE}$	Input Voltage (CE Pin)	-0.3 to 50	V	
$V_{FB}$	Input Voltage ( $V_{FB}$ Pin)	-0.3 to 50	V	
$V_{OUT}$	Output Voltage	-0.3 to $V_{IN} + 0.3 \leq 50$	V	
$P_D$	Power Dissipation <sup>(2)</sup> (JEDEC STD.51-7)	HSOP-6J	2700	mW
		TO-252-5-P2	3800	
$T_j$	Junction Temperature Range	-40 to 125	°C	
$T_{stg}$	Storage Temperature Range	-55 to 125	°C	

#### ABSOLUTE MAXIMUM RATINGS

Electronic and mechanical stress momentarily exceeded absolute maximum ratings may cause the permanent damages and may degrade the life time and safety for both device and system using the device in the field. The functional operation at or over these absolute maximum ratings is not assured.

### RECOMMENDED OPERATING CONDITIONS

#### Recommended Operating Conditions

Symbol	Parameter	Rating	Unit
$V_{IN}$	Input Voltage	3.5 to 36	V
$T_a$	Operating Temperature Range	-40 to 105	°C

#### RECOMMENDED OPERATING CONDITIONS

All of electronic equipment should be designed that the mounted semiconductor devices operate within the recommended operating conditions. The semiconductor devices cannot operate normally over the recommended operating conditions, even if when they are used over such ratings by momentary electronic noise or surge. And the semiconductor devices may receive serious damage when they continue to operate over the recommended operating conditions.

<sup>(1)</sup> Duration time = □200 ms

<sup>(2)</sup> Refer to POWER DISSIPATION for detailed information

## ELECTRICAL CHARACTERISTICS

$V_{IN} = V_{SET} + 1.0 \text{ V}$ ,  $I_{OUT} = 1 \text{ mA}$ ,  $C_{IN} = C_{OUT} = 0.1 \mu\text{F}$ , unless otherwise noted.

The specifications surrounded by   are guaranteed by design engineering at  $-40^\circ\text{C} \leq T_a \leq 105^\circ\text{C}$ .

### R1518xxxxB/D

( $T_a = 25^\circ\text{C}$ )

Symbol	Item	Conditions	Min.	Typ.	Max.	Unit	
$V_{OUT}$	Output Voltage	$T_a = 25^\circ\text{C}$	$V_{SET} \leq 5.0 \text{ V}$	$\times 0.992$		$\times 1.008$	V
			$V_{SET} > 5.0 \text{ V}$	$\times 0.99$		$\times 1.01$	V
		$-40^\circ\text{C} \leq T_a \leq 105^\circ\text{C}$	$V_{SET} \leq 5.0 \text{ V}$	<span style="border: 1px solid black; padding: 0 2px;"><math>\times 0.982</math></span>		<span style="border: 1px solid black; padding: 0 2px;"><math>\times 1.018</math></span>	V
			$V_{SET} > 5.0 \text{ V}$	<span style="border: 1px solid black; padding: 0 2px;"><math>\times 0.98</math></span>		<span style="border: 1px solid black; padding: 0 2px;"><math>\times 1.02</math></span>	V
$\frac{\Delta V_{OUT}}{\Delta I_{OUT}}$	Load Regulation	$V_{IN} = V_{SET} + 2.0 \text{ V}$ , $1\text{mA} \leq I_{OUT} \leq 250 \text{ mA}$	<span style="border: 1px solid black; padding: 0 2px;">-15</span>	3	<span style="border: 1px solid black; padding: 0 2px;">25</span>	mV	
		$V_{IN} = V_{SET} + 2.0 \text{ V}$ , $1\text{mA} \leq I_{OUT} \leq 1 \text{ A}$	<span style="border: 1px solid black; padding: 0 2px;">-60</span>	10	<span style="border: 1px solid black; padding: 0 2px;">60</span>	mV	
$V_{DIF}$	Dropout Voltage	$I_{OUT} = 1 \text{ A}$	Refer to the <i>Product-specific Electrical Characteristics</i>				
$I_{SS}$	Supply Current	$I_{OUT} = 0 \text{ mA}$		18	<span style="border: 1px solid black; padding: 0 2px;">36</span>	$\mu\text{A}$	
$I_{standby}$	Standby Current	$V_{CE} = 0 \text{ V}$		0.1	2.0	$\mu\text{A}$	
$\frac{\Delta V_{OUT}}{\Delta V_{IN}}$	Line Regulation	$V_{SET} + 0.5 \text{ V} \leq V_{IN} \leq 36 \text{ V}$ , if $V_{IN} \leq 3.5 \text{ V}$		0.01	<span style="border: 1px solid black; padding: 0 2px;">0.02</span>	%/V	
$\frac{\Delta V_{OUT}}{\Delta T_a}$	Output Voltage Temperature Coefficient	$-40^\circ\text{C} \leq T_a \leq 105^\circ\text{C}$		$\pm 60$		ppm/ $^\circ\text{C}$	
$I_{LIM}$	Output Current Limit	$V_{IN} = V_{SET} + 2.0 \text{ V}$	<span style="border: 1px solid black; padding: 0 2px;">1</span>			A	
$I_{SC}$	Short Current Limit	$V_{OUT} = 0 \text{ V}$		150		mA	
$I_{PD}$	CE Pull-down Current	$V_{CE} = 5 \text{ V}$		0.2	<span style="border: 1px solid black; padding: 0 2px;">0.6</span>	$\mu\text{A}$	
		$V_{CE} = 36 \text{ V}$		0.5	<span style="border: 1px solid black; padding: 0 2px;">1.3</span>	$\mu\text{A}$	
$t_{D1}$	Soft-start Time 1			120		$\mu\text{s}$	
$V_{CEH}$	CE Input Voltage "H"		<span style="border: 1px solid black; padding: 0 2px;">2.2</span>			V	
$V_{CEL}$	CE Input Voltage "L"				<span style="border: 1px solid black; padding: 0 2px;">1.0</span>	V	
$T_{TSD}$	Thermal Shutdown Detection Temperature	Junction Temperature		160		$^\circ\text{C}$	
$T_{TSR}$	Thermal Shutdown Released Temperature	Junction Temperature		135		$^\circ\text{C}$	
$R_{LOW}$	Low Output Nch Tr. ON Resistance (R1518xxxxD)	$V_{IN} = 14.0 \text{ V}$ , $V_{CE} = 0 \text{ V}$		3.2		k $\Omega$	

All test items listed under Electrical Characteristics are done under the pulse load condition ( $T_j \approx T_a = 25^\circ\text{C}$ ) except for Output Voltage Temperature Coefficient and Soft-start Time 1.

**R1518x**

NO.EA-329-190212

 $V_{IN} = V_{SET} + 1.0 \text{ V}$ ,  $I_{OUT} = 1 \text{ mA}$ ,  $C_{IN} = 0.1 \text{ }\mu\text{F}$ ,  $C_{OUT} = 1.0 \text{ }\mu\text{F}$ , unless otherwise noted.The specifications surrounded by   are guaranteed by design engineering at  $-40^\circ\text{C} \leq T_a \leq 105^\circ\text{C}$ .**R1518x001C**

(Ta = 25°C)

Symbol	Item	Conditions	Min.	Typ.	Max.	Unit
$V_{FB}$	Feedback Voltage	Ta = 25°C	2.480		2.520	V
		$-40^\circ\text{C} \leq T_a \leq 105^\circ\text{C}$	<span style="border: 1px solid black; padding: 0 2px;">2.455</span>		<span style="border: 1px solid black; padding: 0 2px;">2.545</span>	V
$\Delta V_{OUT} / \Delta I_{OUT}$	Load Regulation	$V_{IN} = V_{SET} + 2.0 \text{ V}$ $1 \text{ mA} \leq I_{OUT} \leq 250 \text{ mA}$	<span style="border: 1px solid black; padding: 0 2px;">-10</span>	3	<span style="border: 1px solid black; padding: 0 2px;">10</span>	mV
		$V_{IN} = V_{SET} + 2.0 \text{ V}$ $1 \text{ mA} \leq I_{OUT} \leq 1 \text{ A}$	<span style="border: 1px solid black; padding: 0 2px;">-25</span>	5	<span style="border: 1px solid black; padding: 0 2px;">35</span>	mV
$V_{DIF}$	Dropout Voltage	$V_{SET} = V_{FB}$ , $I_{OUT} = 1 \text{ A}$		1.0	<span style="border: 1px solid black; padding: 0 2px;">1.8</span>	V
$I_{SS}$	Supply Current	$I_{OUT} = 0 \text{ mA}$		18	<span style="border: 1px solid black; padding: 0 2px;">36</span>	$\mu\text{A}$
$I_{standby}$	Standby Current	$V_{CE} = 0 \text{ V}$		0.1	2.0	$\mu\text{A}$
$\Delta V_{OUT} / \Delta V_{IN}$	Line Regulation	$V_{SET} = V_{FB}$ , $3.5 \text{ V} \leq V_{IN} \leq 36 \text{ V}$		0.01	<span style="border: 1px solid black; padding: 0 2px;">0.02</span>	%/V
$\Delta V_{OUT} / \Delta T_a$	Output Voltage Temperature Coefficient	$-40^\circ\text{C} \leq T_a \leq 105^\circ\text{C}$		$\pm 60$		ppm/ °C
$I_{LIM}$	Output Current Limit	$V_{IN} = V_{SET} + 2.0 \text{ V}$	<span style="border: 1px solid black; padding: 0 2px;">1</span>			A
$I_{SC}$	Short Current Limit	$V_{OUT} = V_{FB} = 0 \text{ V}$		150		mA
$I_{PD}$	CE Pull-down Current	$V_{CE} = 5 \text{ V}$		0.2	<span style="border: 1px solid black; padding: 0 2px;">0.6</span>	$\mu\text{A}$
		$V_{CE} = 36 \text{ V}$		0.5	<span style="border: 1px solid black; padding: 0 2px;">1.3</span>	$\mu\text{A}$
$t_{D1}$	Soft-start Time 1			120		$\mu\text{s}$
$V_{CEH}$	CE Input Voltage "H"		<span style="border: 1px solid black; padding: 0 2px;">2.2</span>			V
$V_{CEL}$	CE Input Voltage "L"				<span style="border: 1px solid black; padding: 0 2px;">1.0</span>	V
$T_{TSD}$	Thermal Shutdown Detection Temperature	Junction Temperature		160		°C
$T_{TSR}$	Thermal Shutdown Released Temperature	Junction Temperature		135		°C

All test items listed under Electrical Characteristics are done under the pulse load condition ( $T_j \approx T_a = 25^\circ\text{C}$ ) except for Output Voltage Temperature coefficient and Soft-start Time 1.



$V_{IN} = V_{SET} + 1.0 \text{ V}$ ,  $I_{OUT} = 1 \text{ mA}$ ,  $C_{IN} = C_{OUT} = 0.1 \mu\text{F}$ , unless otherwise noted.

The specifications surrounded by   are guaranteed by design engineering at  $-40^\circ\text{C} \leq T_a \leq 105^\circ\text{C}$ .

## R1518xxxxE/F

(Ta = 25°C)

Symbol	Item	Conditions	Min.	Typ.	Max.	Unit	
$V_{OUT}$	Output Voltage	Ta = 25°C	$V_{SET} \leq 5.0 \text{ V}$	$\times 0.992$		$\times 1.008$	V
			$V_{SET} > 5.0 \text{ V}$	$\times 0.99$		$\times 1.01$	V
		$-40^\circ\text{C} \leq T_a \leq 105^\circ\text{C}$	$V_{SET} \leq 5.0 \text{ V}$	<span style="border: 1px solid black; padding: 0 2px;"><math>\times 0.982</math></span>		<span style="border: 1px solid black; padding: 0 2px;"><math>\times 1.018</math></span>	V
			$V_{SET} > 5.0 \text{ V}$	<span style="border: 1px solid black; padding: 0 2px;"><math>\times 0.98</math></span>		<span style="border: 1px solid black; padding: 0 2px;"><math>\times 1.02</math></span>	V
$\frac{\Delta V_{OUT}}{\Delta I_{OUT}}$	Load Regulation	$V_{IN} = V_{SET} + 2.0 \text{ V}$ , $1 \text{ mA} \leq I_{OUT} \leq 250 \text{ mA}$	<span style="border: 1px solid black; padding: 0 2px;">-15</span>	3	<span style="border: 1px solid black; padding: 0 2px;">25</span>	mV	
		$V_{IN} = V_{SET} + 2.0 \text{ V}$ , $1 \text{ mA} \leq I_{OUT} \leq 1 \text{ A}$	<span style="border: 1px solid black; padding: 0 2px;">-60</span>	10	<span style="border: 1px solid black; padding: 0 2px;">60</span>	mV	
$V_{DIF}$	Dropout Voltage	$I_{OUT} = 1 \text{ A}$	Refer to the <i>Product-specific Electrical Characteristics</i>				
$I_{SS}$	Supply Current	$I_{OUT} = 0 \text{ mA}$		18	<span style="border: 1px solid black; padding: 0 2px;">36</span>	$\mu\text{A}$	
Istandby	Standby Current	$V_{CE} = 0 \text{ V}$		0.1	2.0	$\mu\text{A}$	
$\frac{\Delta V_{OUT}}{\Delta V_{IN}}$	Line Regulation	$V_{SET} + 0.5 \text{ V} \leq V_{IN} \leq 36 \text{ V}$ , if $V_{IN} \leq 3.5 \text{ V}$		0.01	<span style="border: 1px solid black; padding: 0 2px;">0.02</span>	%/V	
$\frac{\Delta V_{OUT}}{\Delta T_a}$	Output Voltage Temperature Coefficient	$-40^\circ\text{C} \leq T_a \leq 105^\circ\text{C}$		$\pm 60$		ppm/ °C	
$I_{LIM}$	Output Current Limit	$V_{IN} = V_{SET} + 2.0 \text{ V}$	<span style="border: 1px solid black; padding: 0 2px;">1</span>			A	
$I_{SC}$	Short Current Limit	$V_{OUT} = 0 \text{ V}$		150		mA	
$I_{PD}$	CE Pull-down Current	$V_{CE} = 5 \text{ V}$		0.2	<span style="border: 1px solid black; padding: 0 2px;">0.6</span>	$\mu\text{A}$	
		$V_{CE} = 36 \text{ V}$		0.5	<span style="border: 1px solid black; padding: 0 2px;">1.3</span>	$\mu\text{A}$	
$I_{DELAY}$	DELAY Current	DELAY = GND	<span style="border: 1px solid black; padding: 0 2px;">1.5</span>	2.5	<span style="border: 1px solid black; padding: 0 2px;">3.5</span>	$\mu\text{A}$	
$t_{D1}$	Soft-start Time 1	DELAY = OPEN		26		$\mu\text{s}$	
$t_{D2}$	Soft-start Time 2	DELAY = $0.001 \mu\text{F}$	210	290	415	$\mu\text{s}$	
$V_{CEH}$	CE Input Voltage "H"		<span style="border: 1px solid black; padding: 0 2px;">2.2</span>			V	
$V_{CEL}$	CE Input Voltage "L"				<span style="border: 1px solid black; padding: 0 2px;">1.0</span>	V	
$T_{TSD}$	Thermal Shutdown Detection Temperature	Junction Temperature		160		°C	
$T_{TSR}$	Thermal Shutdown Released Temperature	Junction Temperature		135		°C	
$R_{LOW}$	Low Output Nch Tr. ON Resistance (R1518xxx1F)	$V_{IN} = 14.0 \text{ V}$ , $V_{CE} = 0 \text{ V}$		3.2		k $\Omega$	

All test items listed under Electrical Characteristics are done under the pulse load condition ( $T_j \approx T_a = 25^\circ\text{C}$ ) except for Output Voltage Temperature Coefficient, Soft-start Time 1, and Soft-start Time 2.

---

**R1518x**

---

NO.EA-329-190212

The specifications surrounded by  are guaranteed by design engineering at  $-40^{\circ}\text{C} \leq T_a \leq 105^{\circ}\text{C}$ .**R1518xxxxB/D/E/F Product-specific Electrical Characteristics****(Ta = 25°C)**

Product Name	V <sub>OUT</sub> [V] (Ta = 25°C)			V <sub>OUT</sub> [V] (-40°C ≤ Ta ≤ 105°C)			V <sub>DIF</sub> [V]	
	Min.	Typ.	Max.	Min.	Typ.	Max.	Typ.	Max.
R1518x251x	2.480	2.500	2.520	<span style="border: 1px solid black;">2.455</span>	2.500	<span style="border: 1px solid black;">2.545</span>	1.00	<span style="border: 1px solid black;">1.80</span>
R1518x331x	3.274	3.300	3.326	<span style="border: 1px solid black;">3.241</span>	3.300	<span style="border: 1px solid black;">3.359</span>	0.90	<span style="border: 1px solid black;">1.60</span>
R1518x341x	3.373	3.400	3.427	<span style="border: 1px solid black;">3.339</span>	3.400	<span style="border: 1px solid black;">3.461</span>		
R1518x501x	4.960	5.000	5.040	<span style="border: 1px solid black;">4.910</span>	5.000	<span style="border: 1px solid black;">5.090</span>	0.70	<span style="border: 1px solid black;">1.30</span>
R1518x601x	5.940	6.000	6.060	<span style="border: 1px solid black;">5.880</span>	6.000	<span style="border: 1px solid black;">6.120</span>		
R1518x851x	8.415	8.500	8.585	<span style="border: 1px solid black;">8.330</span>	8.500	<span style="border: 1px solid black;">8.670</span>	0.65	<span style="border: 1px solid black;">1.10</span>
R1518x901x	8.910	9.000	9.090	<span style="border: 1px solid black;">8.820</span>	9.000	<span style="border: 1px solid black;">9.180</span>	0.65	<span style="border: 1px solid black;">1.10</span>

## OPERATION DESCRIPTION

### Thermal Shutdown Function

Thermal shutdown function is included in this device. If the junction temperature is more than or equal to 160°C (Typ.), the operation of the regulator would stop. After that, when the junction temperature is less than or equal to 135°C (Typ.), the operation of the regulator would restart. Unless the cause of rising temperature is removed, the regulator repeats on and off, and output waveform would be like consecutive pulses.

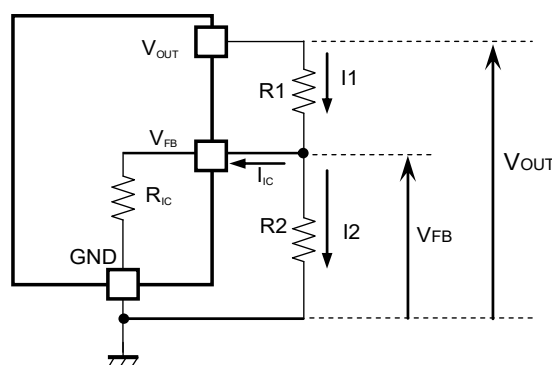
### Adjustable Output Voltage Setting (R1518x001C)

The output voltage of R1518x001C can be adjusted by using the external divider resistors (R1, R2). By using the following equation, the output voltage ( $V_{OUT}$ ) can be determined. The voltage which is fixed inside the IC is described as  $V_{FB}$ .

$$V_{OUT} = V_{FB} \times ((R1 + R2) / R2)$$

Recommended Range:  $2.5 \text{ V} \leq V_{OUT} \leq 12.0 \text{ V}$

$$V_{FB} = 2.5 \text{ V}$$



**Output Voltage Adjustment Using External Divider Resistors (R1, R2)**

$R_{IC}$  of the R1518x001C is approximately Typ. 1.35 M $\Omega$  ( $T_a=25^\circ\text{C}$ , guaranteed by design engineering). For better accuracy, setting  $R1 \ll R_{IC}$  reduces errors. The resistance value for R2 should be set to 10 k $\Omega$  or lower. It is easily affected by noises when setting the value of R1 and R2 larger, which makes the impedance of  $V_{FB}$  pin larger.

$R_{IC}$  could be affected by the temperature, therefore evaluate the circuit taking the actual conditions of use into account when deciding the resistance values for R1 and R2.

---

## R1518x

---

NO.EA-329-190212

### Soft-start Function

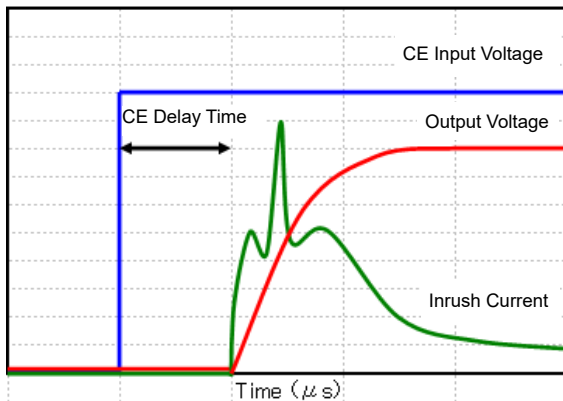
R1518x is equipped with a constant slope circuit, which achieves a soft-start function. This circuit allows the output voltage to start up gradually when the CE is turned on. The constant slope circuit minimizes the inrush current at the start-up and also prevents the overshoot of the output voltage. For R1518xxxxB/C/D, the capacitor to create the start-up slope is built in this device that does not require any external components. The start-up time and the start-up slope angle are fixed inside the device. As for R1518xxxxE/F, the soft-start time is adjustable by inserting the external capacitor to DELAY pin. By using the following equation, the relation between the soft-start time  $t_D$  [s] and DELAY pin capacitor  $C_D$  [F] is determined.

$$t_D = ((C_D + 90 \times 10^{-12}) / I_{\text{DELAY}}) \times 0.73$$

When the capacitor  $C_D$  of R1518xxxxE/F is not used, use the DELAY pin as OPEN. At that time,  $C_D = 0$  in the above equation, therefore the start-up time is about 26  $\mu\text{s}$ . However, be sure to consider approximately 50  $\mu\text{s}$  of CE delay time.

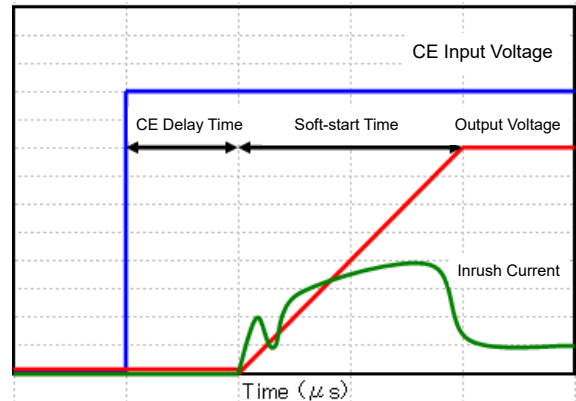
#### Conventional Inrush Current Limit Circuit

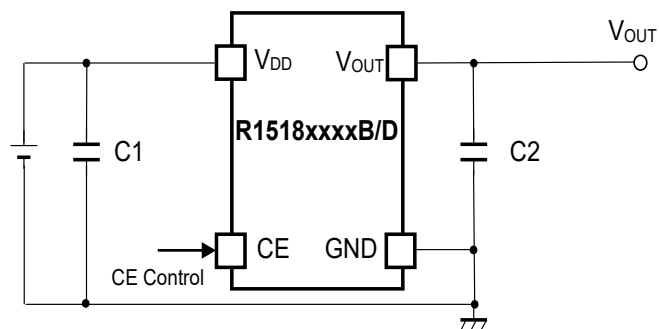
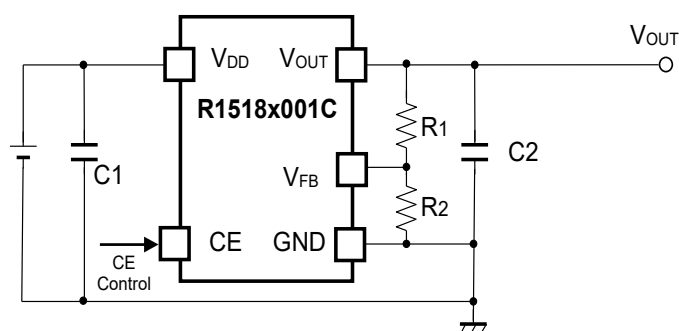
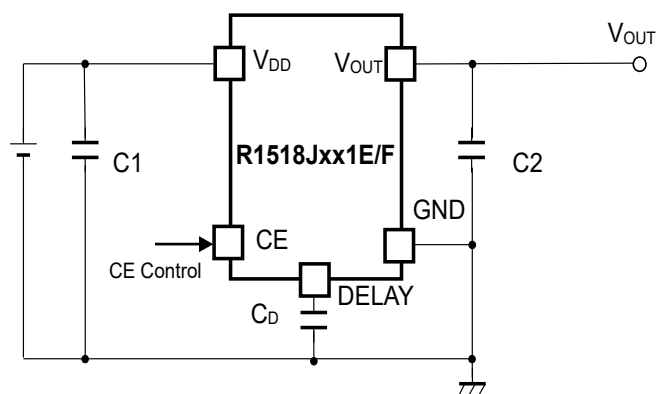
(Diagrammatic sketch)



#### Constant Slope Circuit

(Diagrammatic sketch)



**APPLICATION INFORMATION****TYPICAL APPLICATION****R1518xxxxB/D Typical Application****R1518x001C Typical Application****R1518xxxxE/F Typical Application**

---

**R1518x**

---

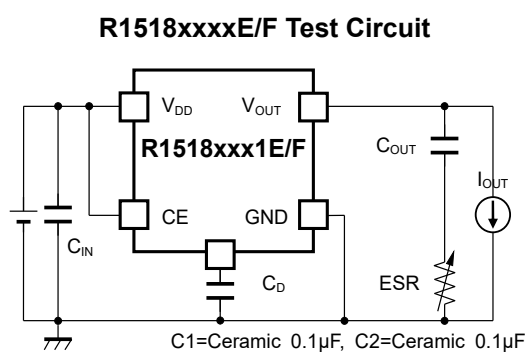
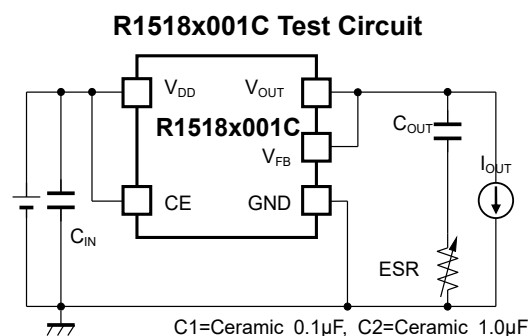
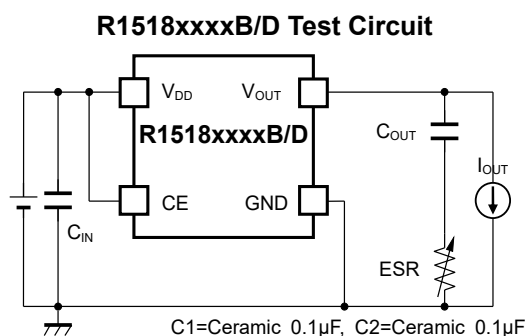
NO.EA-329-190212

**External Components :**

Symbol	Description
<b>R1518xxxxB//D/E/F</b>	
C1 (C <sub>IN</sub> )	0.1μF (Ceramic)
C2 (C <sub>OUT</sub> )	0.1μF (Ceramic)
<b>R1518x001C</b>	
C1 (C <sub>IN</sub> )	0.1μF (Ceramic)
C2 (C <sub>OUT</sub> )	1.0μF (Ceramic)

### ESR vs. Output Current

It is recommended that a ceramic type capacitor be used for this device. However, other types of capacitors having lower ESR can also be used. The relation between the output current ( $I_{OUT}$ ) and the ESR of output capacitor is shown below.

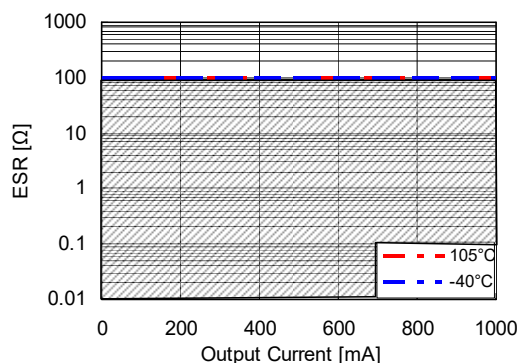


### Measurement conditions

- Frequency Band: 10 Hz to 2 MHz
- Measurement Temperature: -40°C to 105°C
- Hatched area: Noise level is 40  $\mu$ V (average) or below
- Capacitor: C1 = Ceramic 0.1  $\mu$ F, C2 = 0.1  $\mu$ F

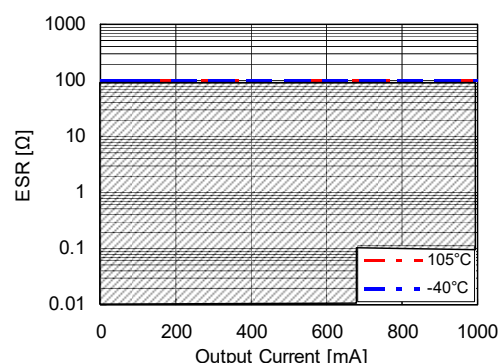
**R1518x25xx Output Current  $I_{OUT}$  vs. ESR**

$V_{in}$ =2.5V to 36V



**R1518x85xx Output Current  $I_{OUT}$  vs. ESR**

$V_{in}$ =8.5V to 36V



## TECHNICAL NOTES

### Phase Compensation

In LDO regulators, phase compensation is provided to secure stable operation even when the load current is varied. For this purpose, use 0.1  $\mu\text{F}$  or more (R1518xxxxB/D/E/F), 1.0  $\mu\text{F}$  or more (R1518x001C) of the capacitor C2. When using a tantalum type capacitor and the ESR (Equivalent Series Resistance) value is large, the output might be unstable. Evaluate the circuit including consideration of frequency characteristics. For the externally adjustable output voltage type (R1518x001C), use 10 k $\Omega$  or lower resistance R2.

### PCB Layout

Ensure the  $V_{\text{DD}}$  and GND lines are sufficiently robust. If their impedance is too high, noise pickup or unstable operation may result. Connect 0.1  $\mu\text{F}$  or more of the capacitor C1 between the  $V_{\text{DD}}$  and GND, and as close as possible to the pins.

In addition, connect the capacitor C2 between  $V_{\text{OUT}}$  and GND, and as close as possible to the pins.

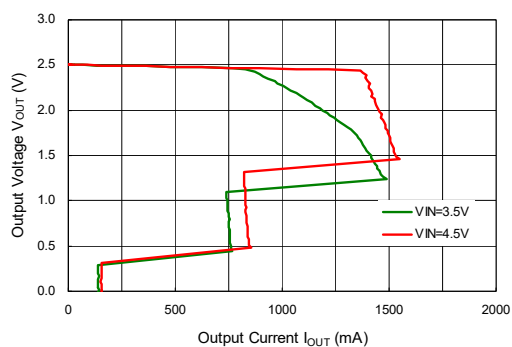


## TYPICAL CHARACTERISTICS

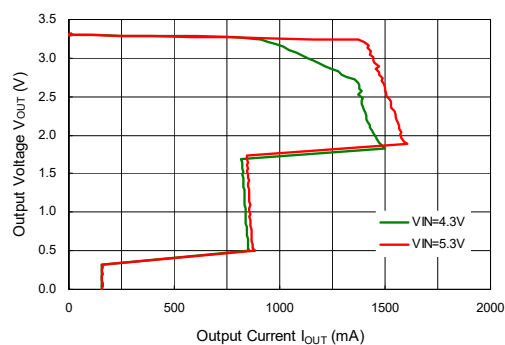
Note: Typical Characteristics are intended to be used as reference data; they are not guaranteed.

### 1) Output Voltage vs. Output Current (Ta = 25°C)

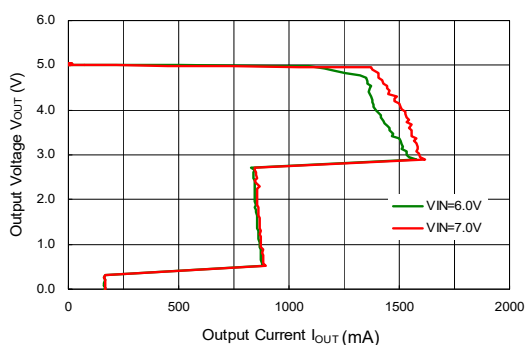
R1518x25xx, R1518x001C



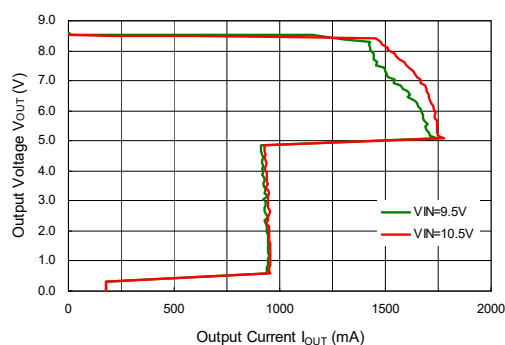
R1518x33xx



R1518x50xx

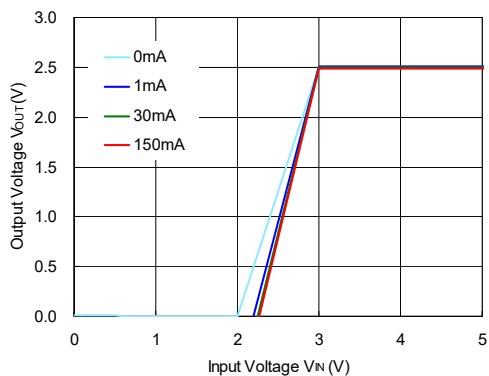


R1518x85xx

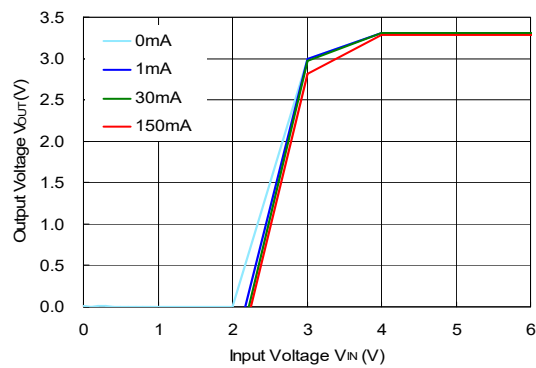


### 2) Output Voltage vs. Input Voltage (Ta = 25°C)

R1518x25xx



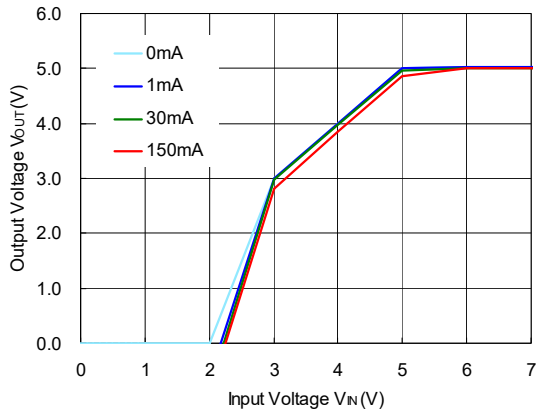
R1518x33xx



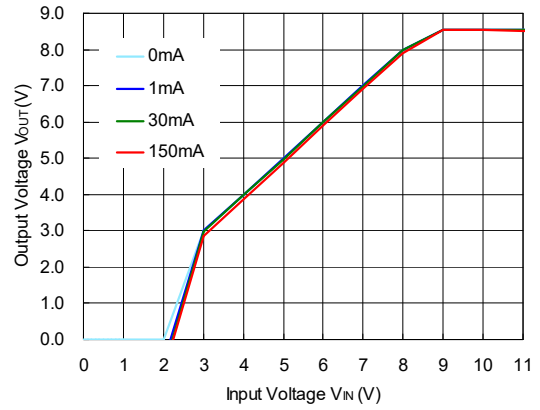
# R1518x

NO.EA-329-190212

### R1518x50xx

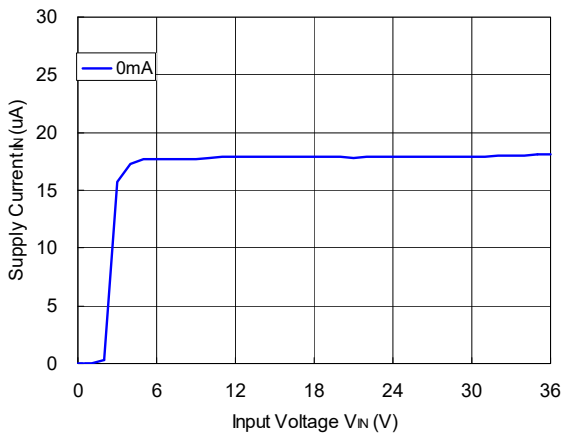


### R1518x85xx

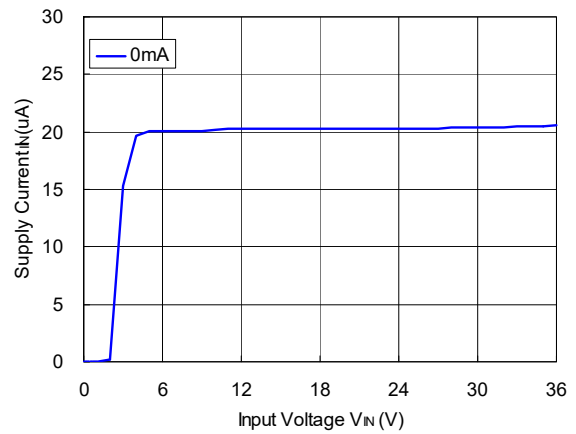


## 3) Supply Current vs. Input Voltage

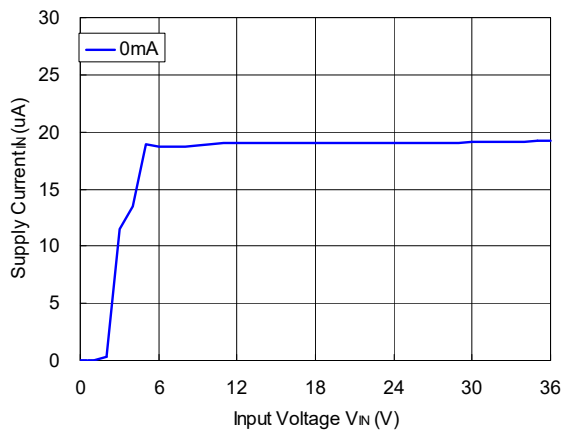
### R1518x25xx, R1518x001C



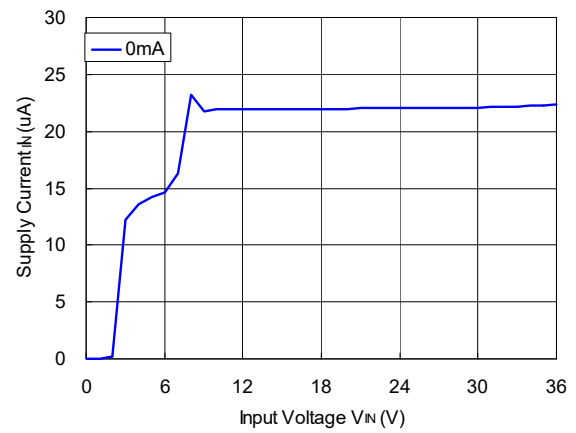
### R1518x33xx



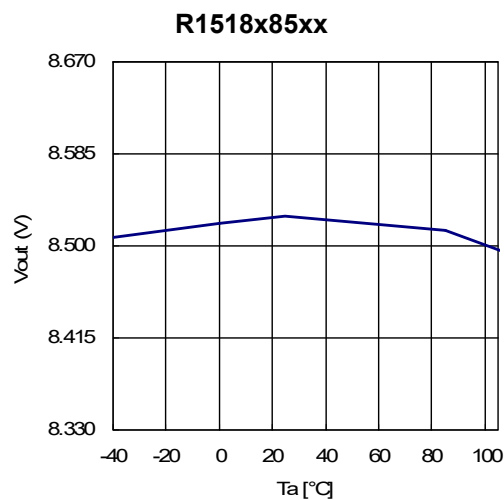
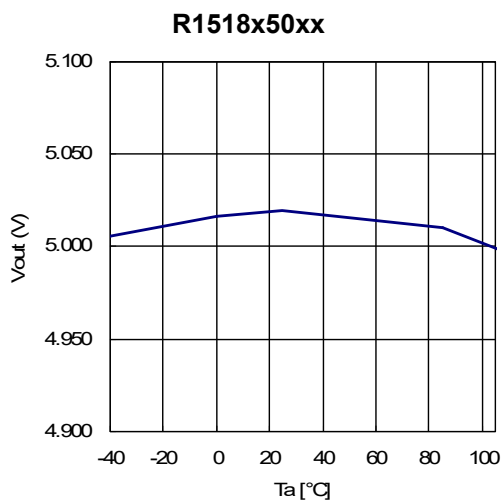
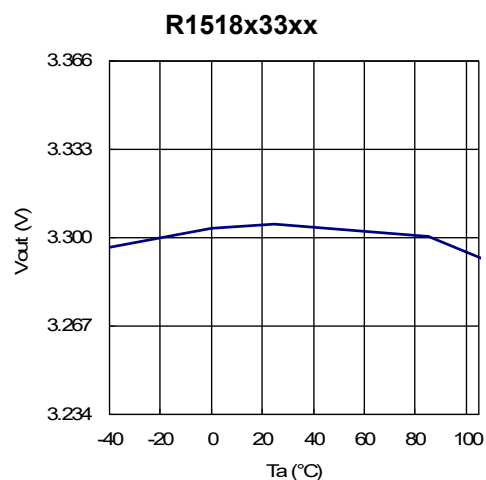
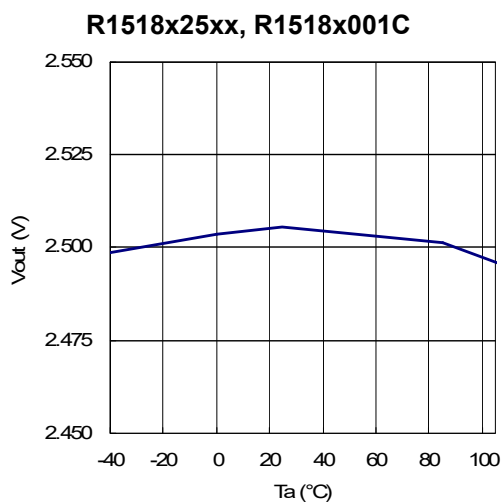
### R1518x50xx



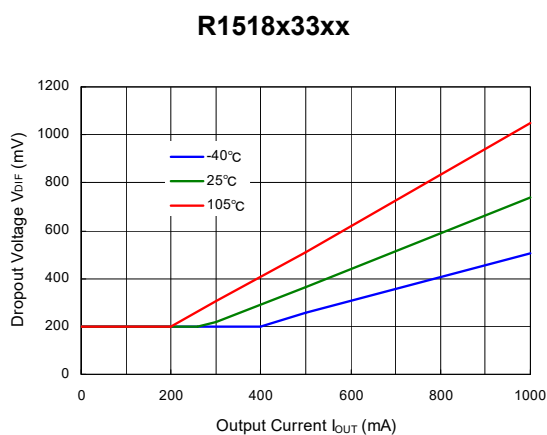
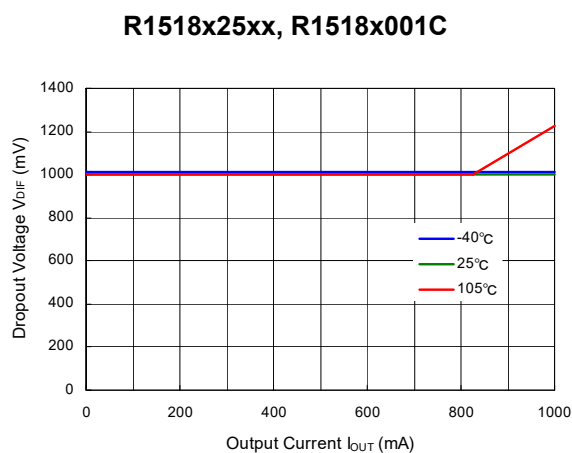
### R1518x85xx



4) Output Voltage vs. Operating Temperature



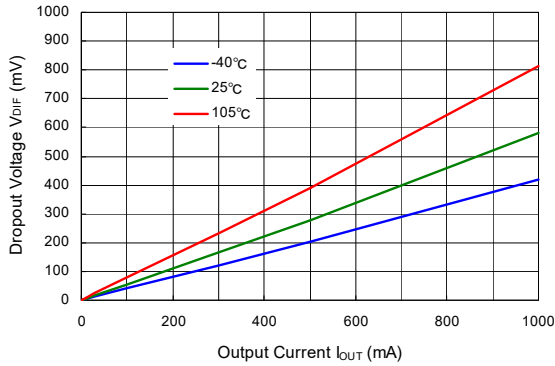
5) Dropout Voltage vs. Output Current



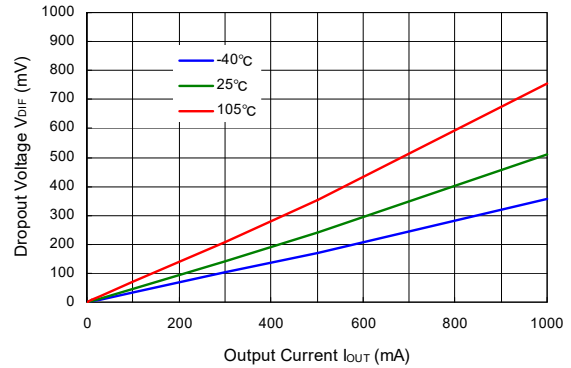
# R1518x

NO.EA-329-190212

### R1518x50xx

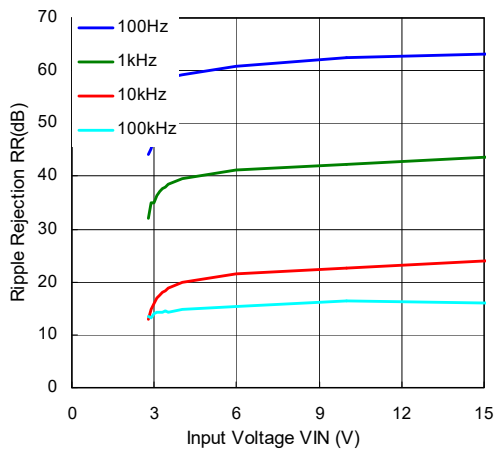


### R1518x85xx

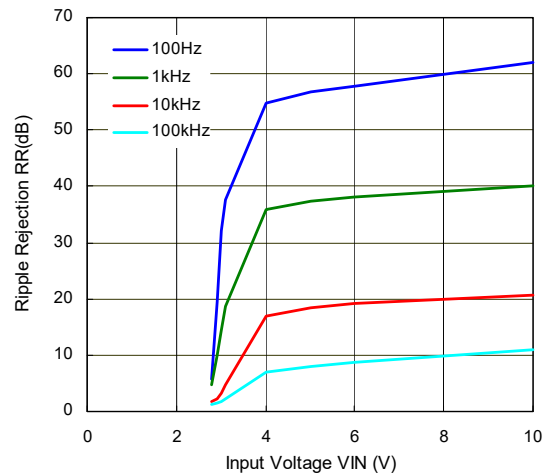


## 6) Ripple Rejection vs. Input Voltage ( $T_a = 25^\circ\text{C}$ , Ripple = 0.5 Vpp)

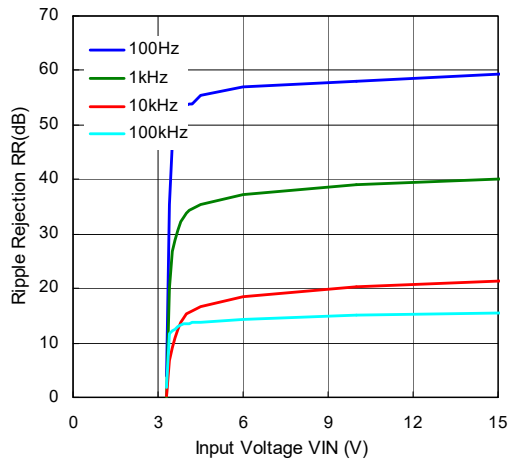
### R1518x25xx, R1518x001C ( $I_{OUT} = 1\text{ mA}$ )



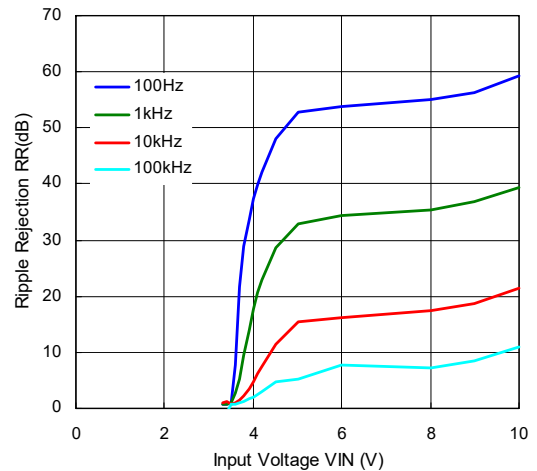
### R1518x25xx, R1518x001C ( $I_{OUT} = 300\text{ mA}$ )



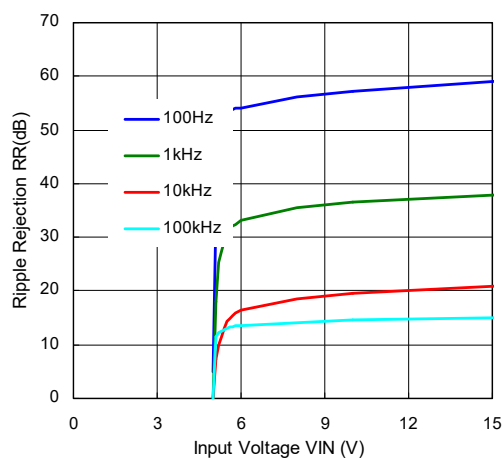
### R1518x33xx ( $I_{OUT} = 1\text{ mA}$ )



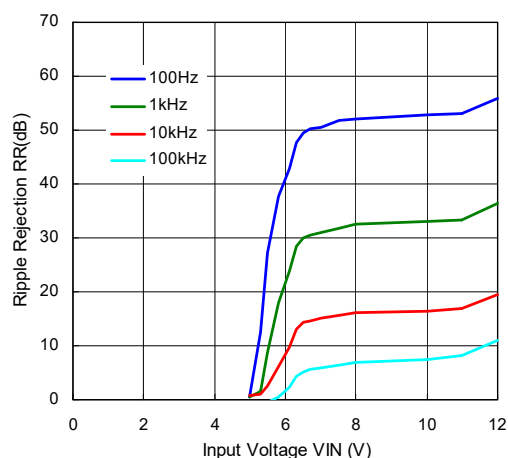
### R1518x33xx ( $I_{OUT} = 300\text{ mA}$ )



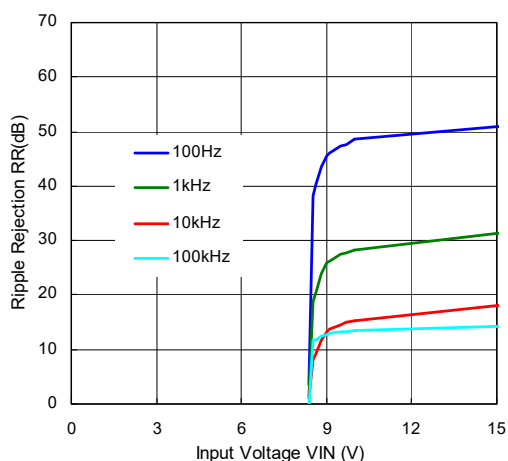
R1518x50xx (I<sub>OUT</sub> = 1 mA)



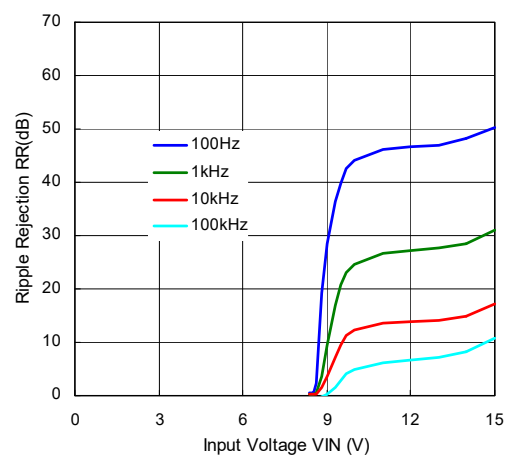
R1518x50xx (I<sub>OUT</sub> = 300 mA)



R1518x85xx (I<sub>OUT</sub> = 1 mA)

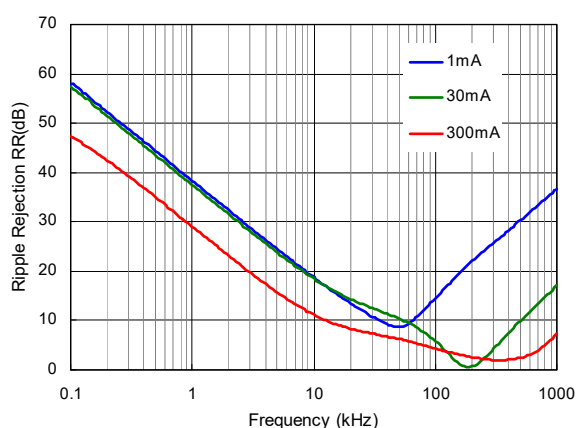


R1518x85xx (I<sub>OUT</sub> = 300 mA)

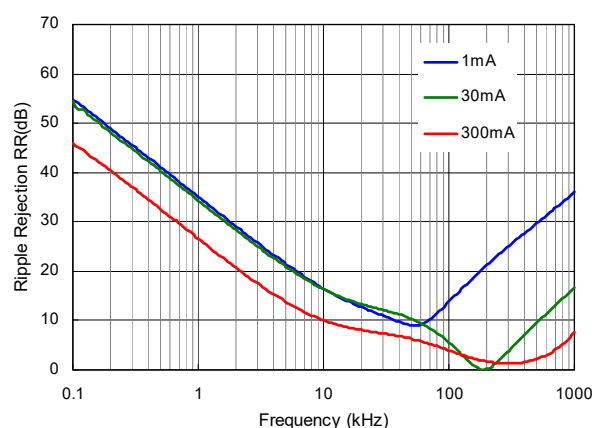


7) Ripple Rejection vs. Frequency (Ta = 25°C, Ripple = 0.5 Vpp)

R1518x25xx, R1518x001C



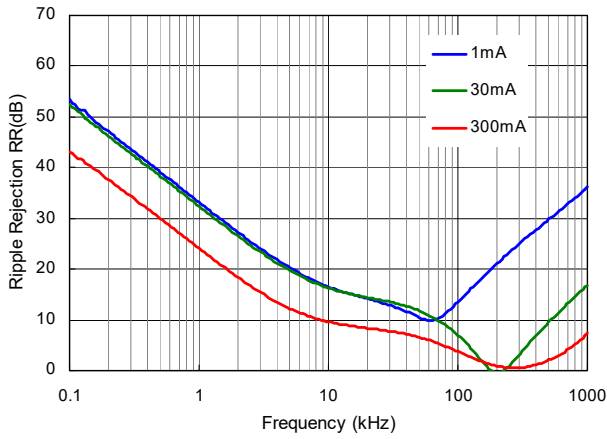
R1518x33xx



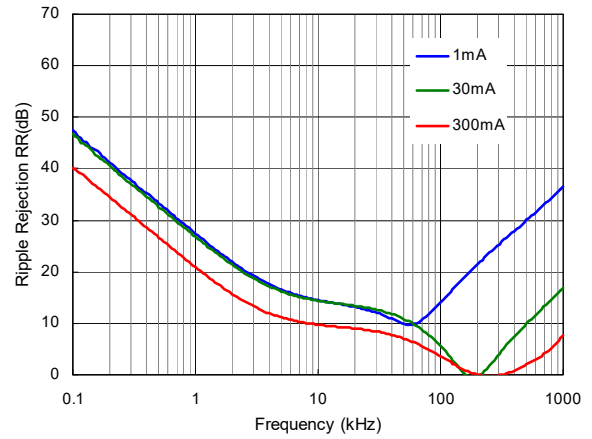
# R1518x

NO.EA-329-190212

**R1518x50xx**

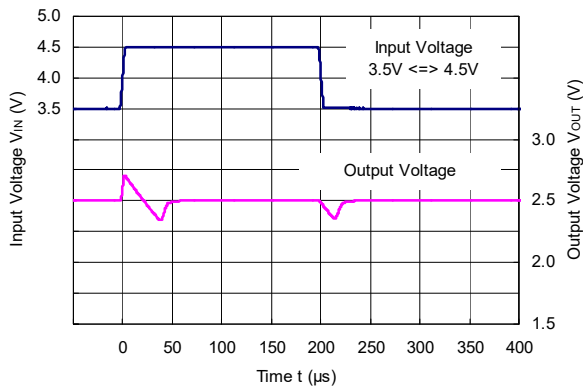


**R1518x85xx**

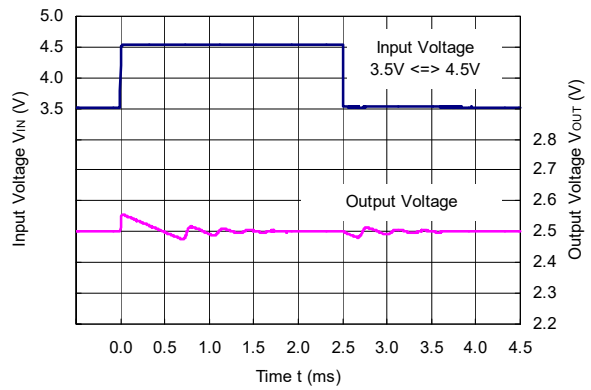


## 8) Input Transient Response ( $T_a = 25^\circ\text{C}$ , $I_{OUT} = 1\text{ mA}$ , $t_r = t_f = 5\ \mu\text{s}$ )

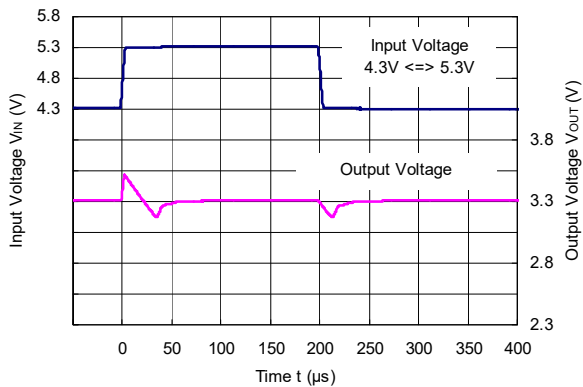
**R1518x25xx, R1518x001C ( $C_2 = 0.1\ \mu\text{F}$ )**



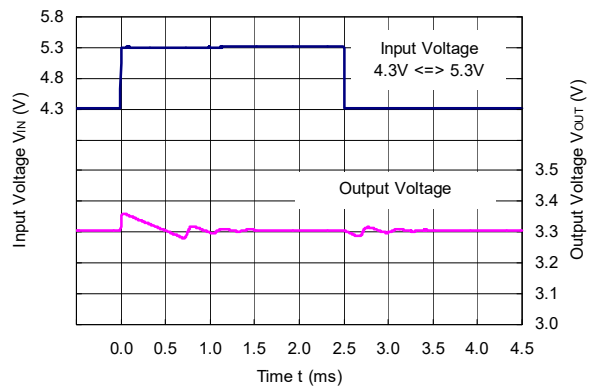
**R1518x25xx, R1518x001C ( $C_2 = 10\ \mu\text{F}$ )**



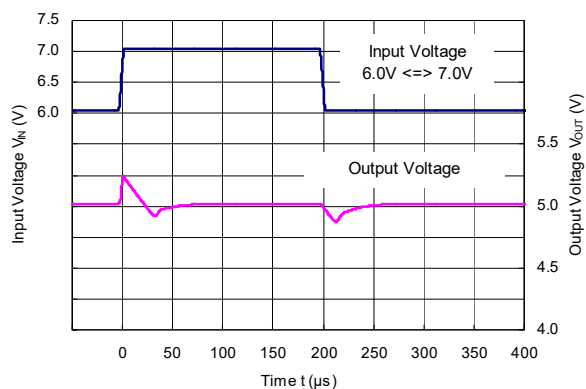
**R1518x33xx ( $C_2 = 0.1\ \mu\text{F}$ )**



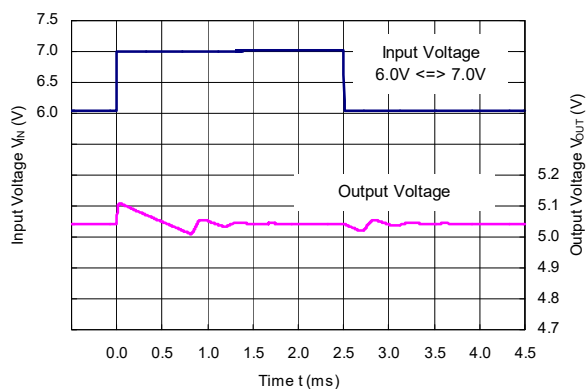
**R1518x33xx ( $C_2 = 10\ \mu\text{F}$ )**



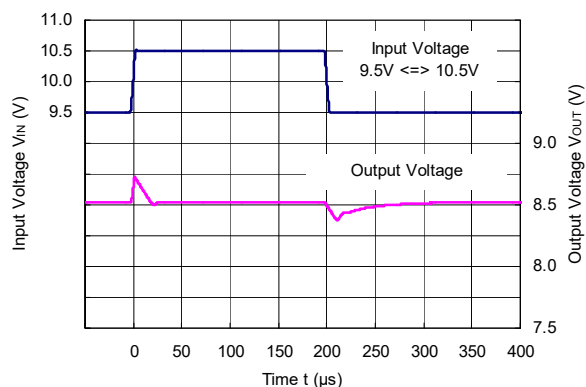
R1518x50xx (C2 = 0.1  $\mu$ F)



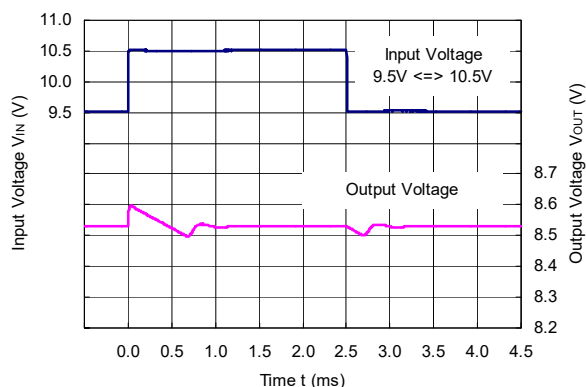
R1518x50xx (C2 = 10  $\mu$ F)



R1518x85xx (C2 = 0.1  $\mu$ F)

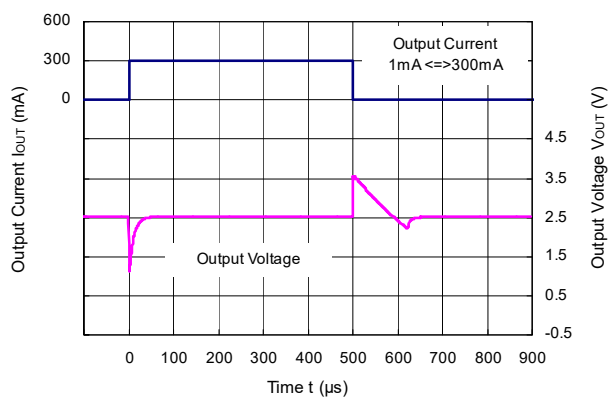


R1518x85xx (C2 = 10  $\mu$ F)

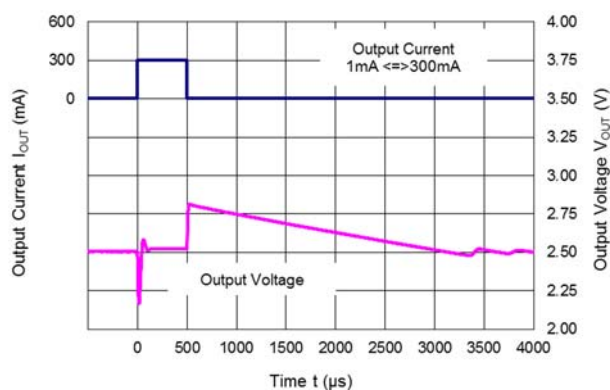


9) Load Transient Response ( $T_a = 25^\circ\text{C}$ ,  $V_{IN} = V_{OUT} + 1.0\text{ V}$ ,  $t_r = t_f = 0.5\ \mu\text{s}$ )

R1518x25xx, R1518x001C (C2 = 0.1  $\mu$ F)



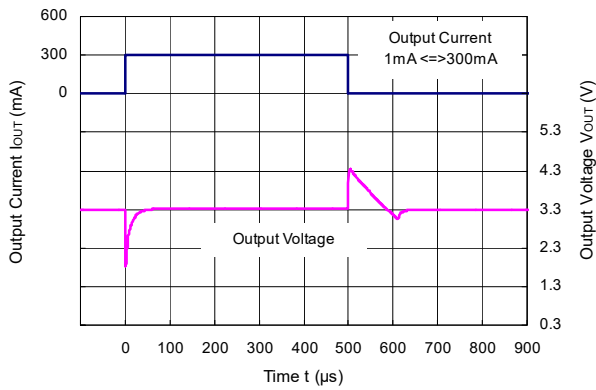
R1518x25xx, R1518x001C (C2 = 10  $\mu$ F)



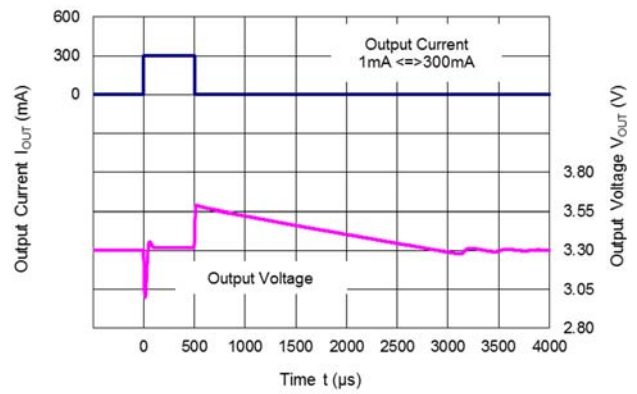
# R1518x

NO.EA-329-190212

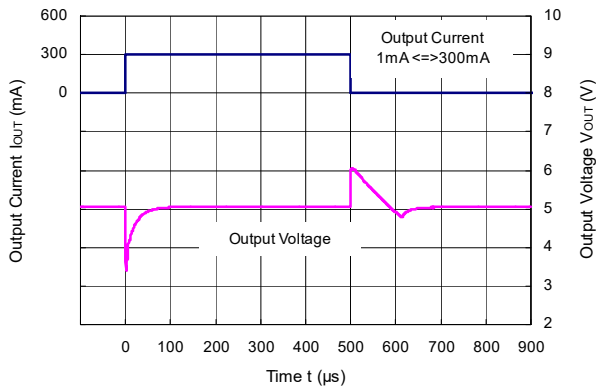
### R1518x33xx (C2 = 0.1 $\mu$ F)



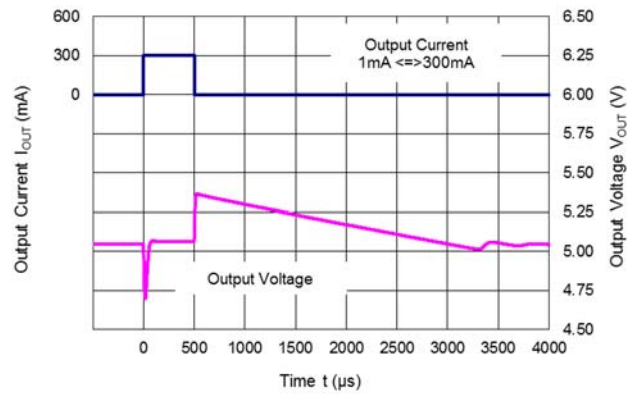
### R1518x33xx (C2 = 10 $\mu$ F)



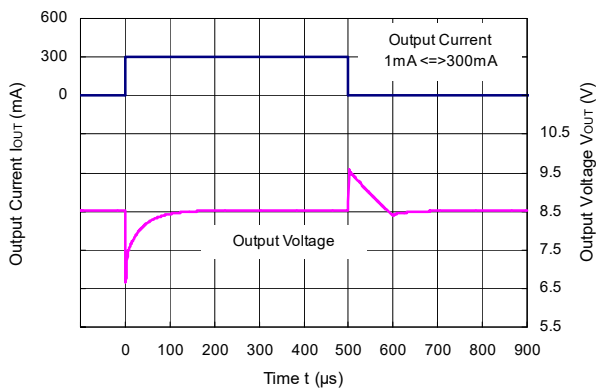
### R1518x50xx (C2 = 0.1 $\mu$ F)



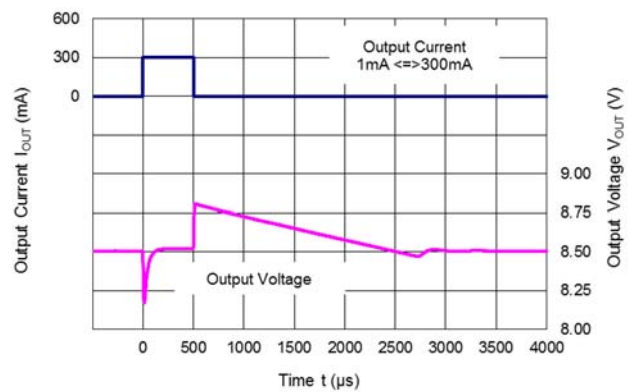
### R1518x50xx (C2 = 10 $\mu$ F)



### R1518x85xx (C2 = 0.1 $\mu$ F)



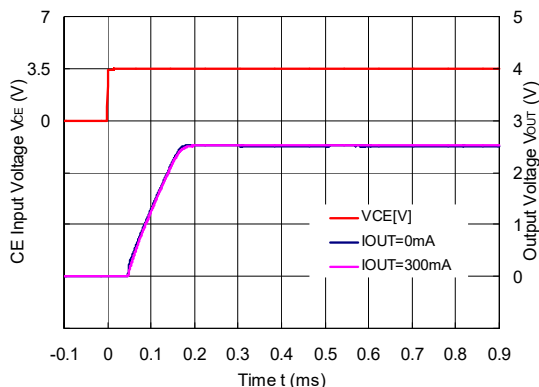
### R1518x85xx (C2 = 10 $\mu$ F)



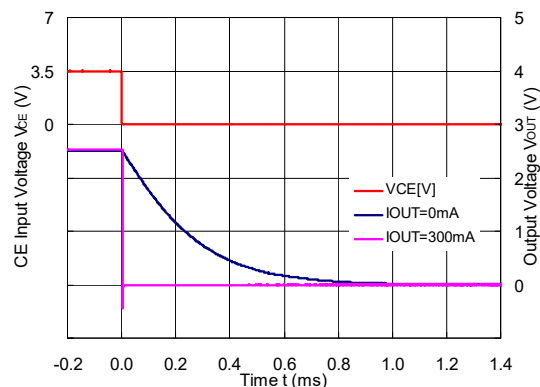


10) CE Transient Response (Ta = 25°C)

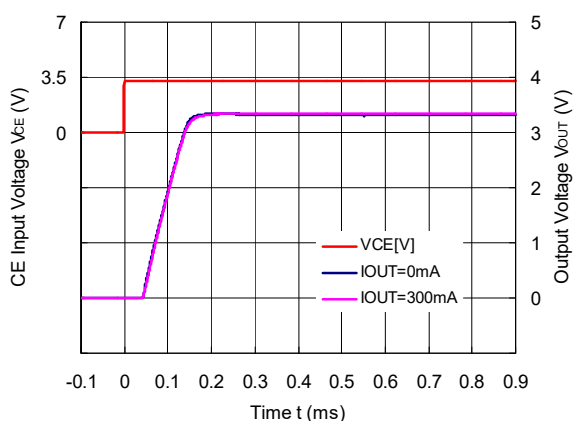
R1518x25xB/D, R1518x001C (C2 = 0.1 μF)



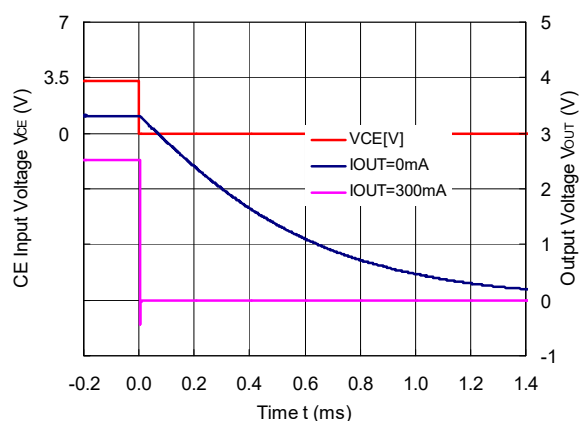
R1518x25xD (C2 = 0.1 μF)



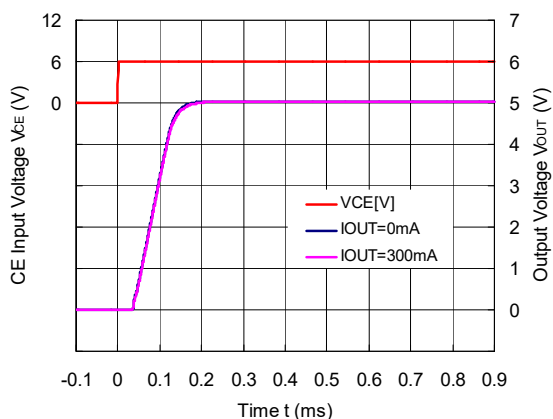
R1518x33xB/D (C2 = 0.1 μF)



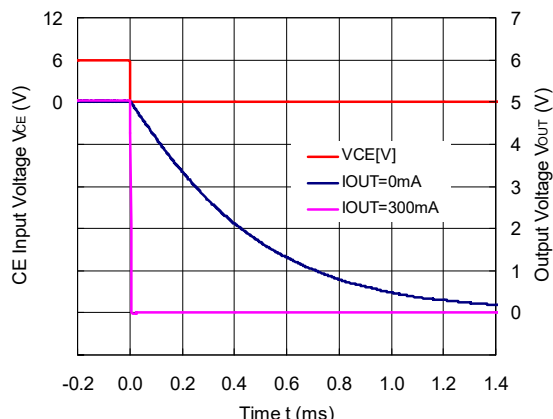
R1518x33xD (C2 = 0.1 μF)



R1518x50xB/D (C2 = 0.1 μF)



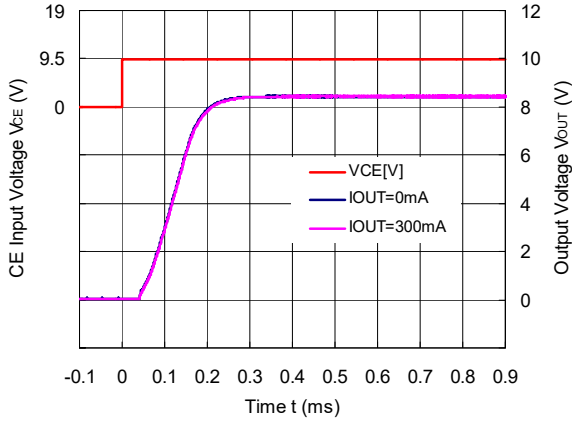
R1518x50xD (C2 = 0.1 μF)



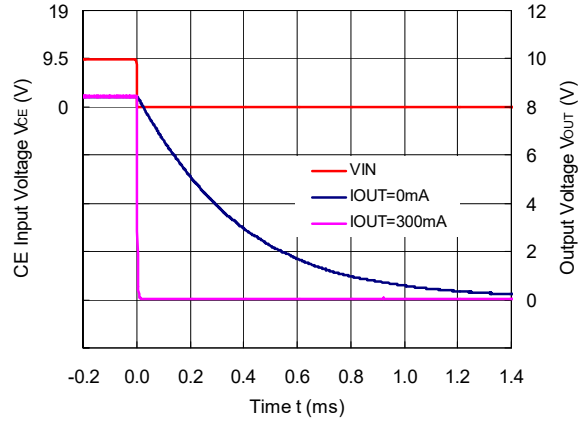
# R1518x

NO.EA-329-190212

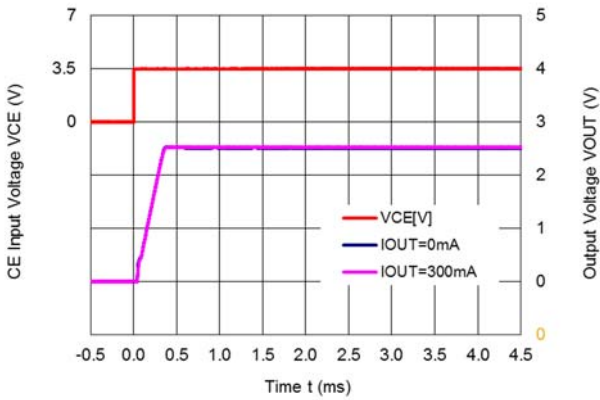
### R1518x85xB/D (C2 = 0.1 $\mu$ F)



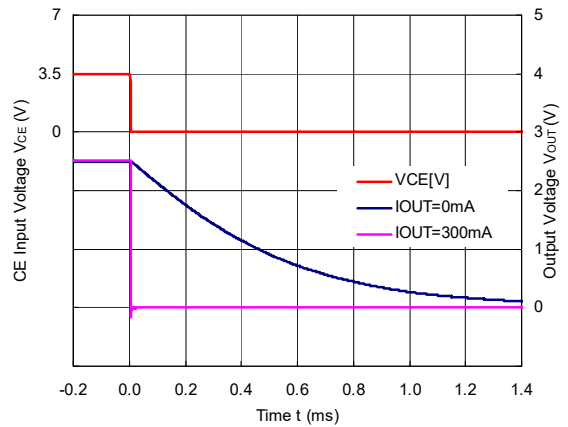
### R1518x85xD (C2 = 0.1 $\mu$ F)



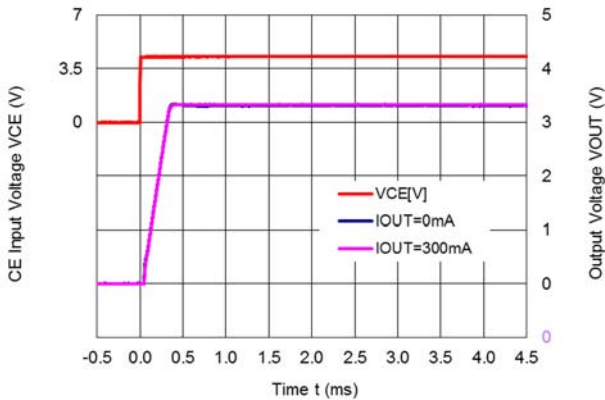
### R1518x25xE/F (C2 = 0.1 $\mu$ F, $C_D = 1$ nF)



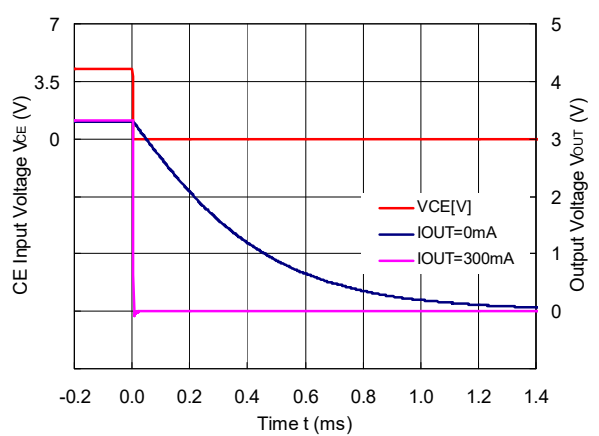
### R1518x25xF (C2 = 0.1 $\mu$ F, $C_D = 1$ nF)



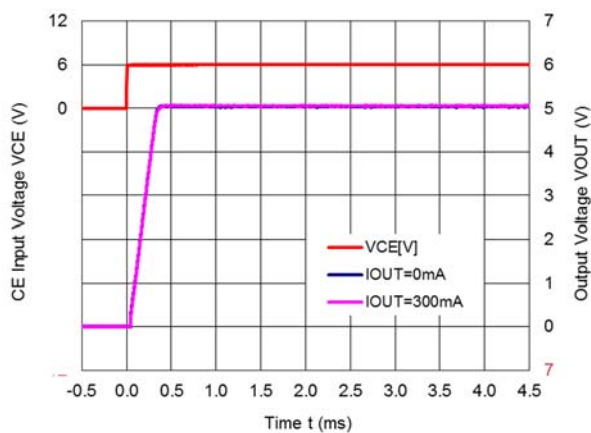
### R1518x33xE/F (C2 = 0.1 $\mu$ F, $C_D = 1$ nF)



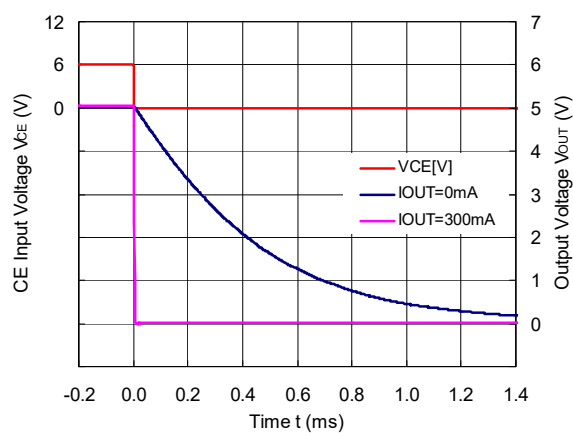
### R1518x33xF (C2 = 0.1 $\mu$ F, $C_D = 1$ nF)



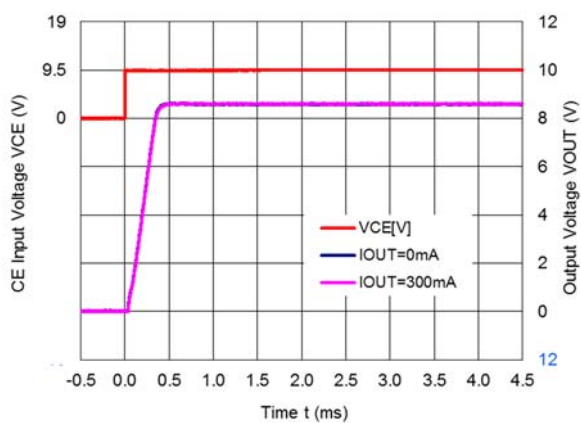
R1518x50xE/F (C<sub>2</sub> = 0.1 μF, C<sub>D</sub> = 1 nF)



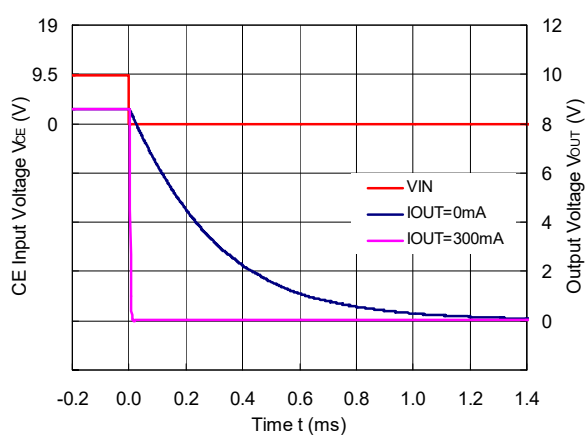
R1518x50xF (C<sub>2</sub> = 0.1 μF, C<sub>D</sub> = 1 nF)



R1518x851E/F (C<sub>2</sub> = 0.1 μF, C<sub>D</sub> = 1 nF)



R1518x851F (C<sub>2</sub> = 0.1 μF, C<sub>D</sub> = 1 nF)

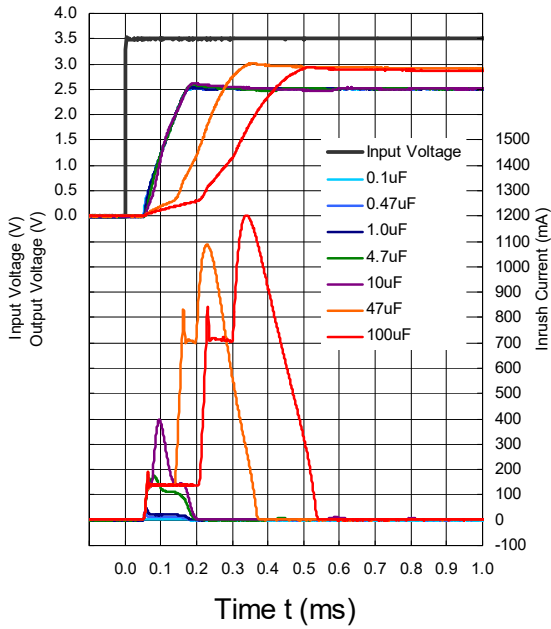


# R1518x

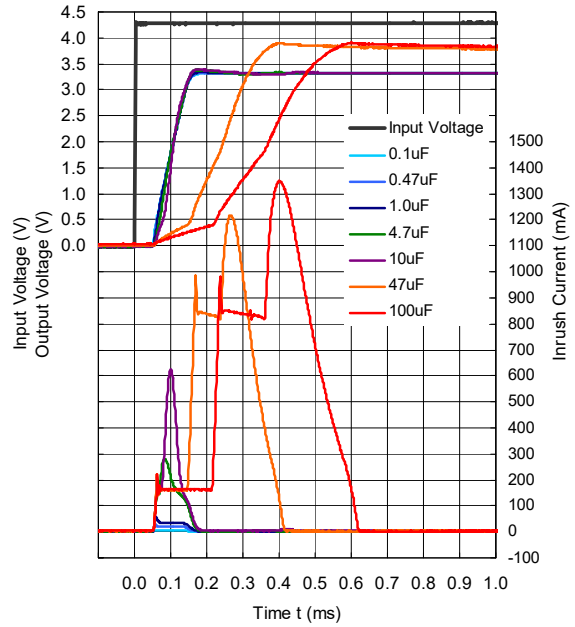
NO.EA-329-190212

## 11) Inrush Current Prevention Circuit ( $T_a = 25^\circ\text{C}$ , $I_{OUT} = 1 \text{ mA}$ )

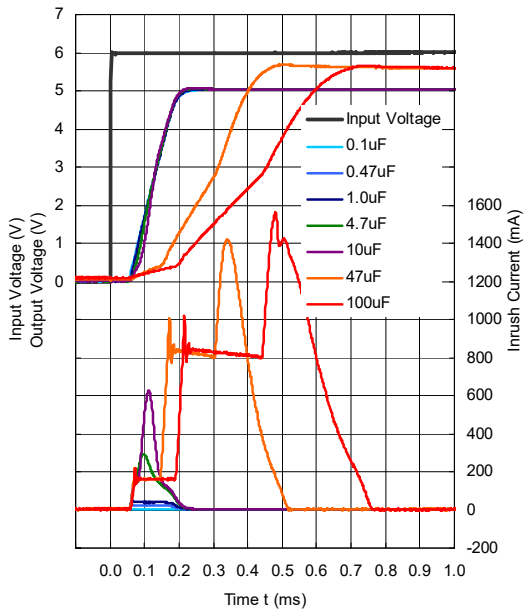
### R1518x25xB/D, R1518x001C



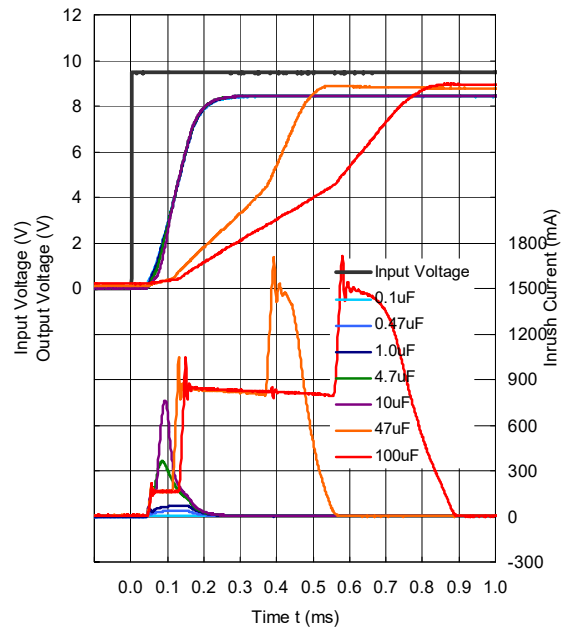
### R1518x33xB/D



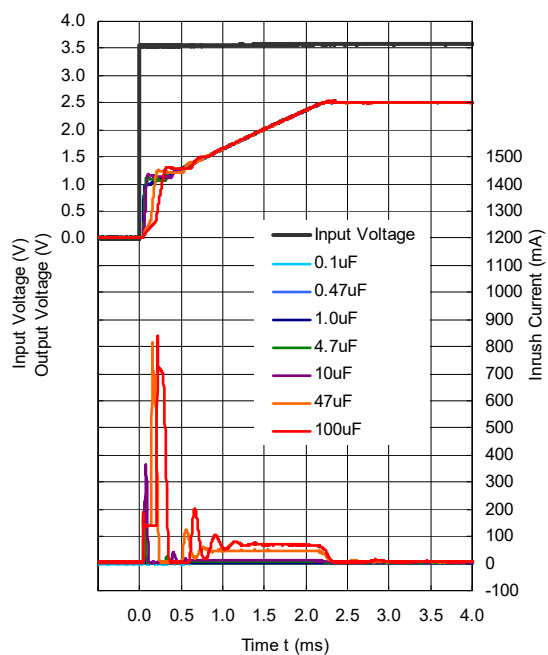
### R1518x50xB/D



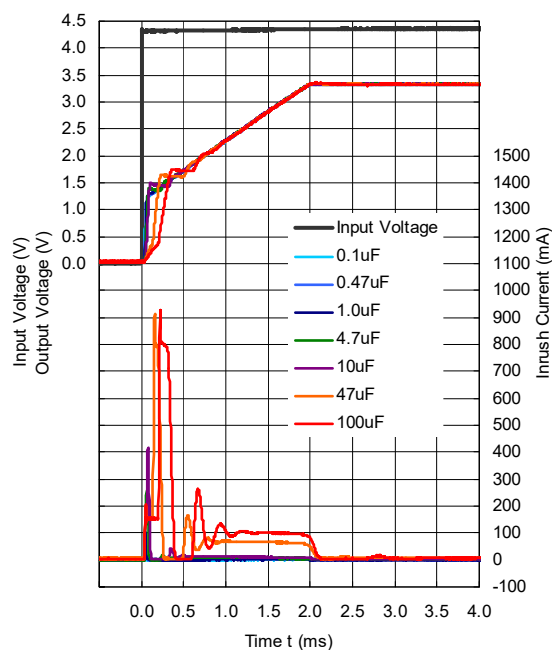
### R1518x85xB/D



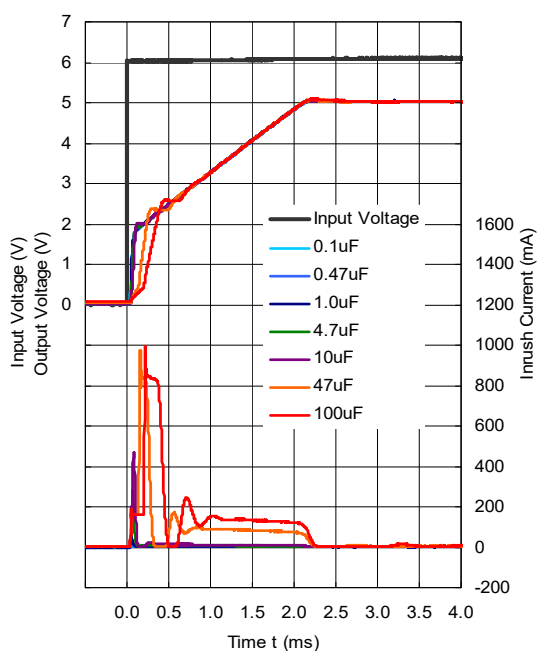
R1518x25xE/F ( $C_D = 10\text{ nF}$ )



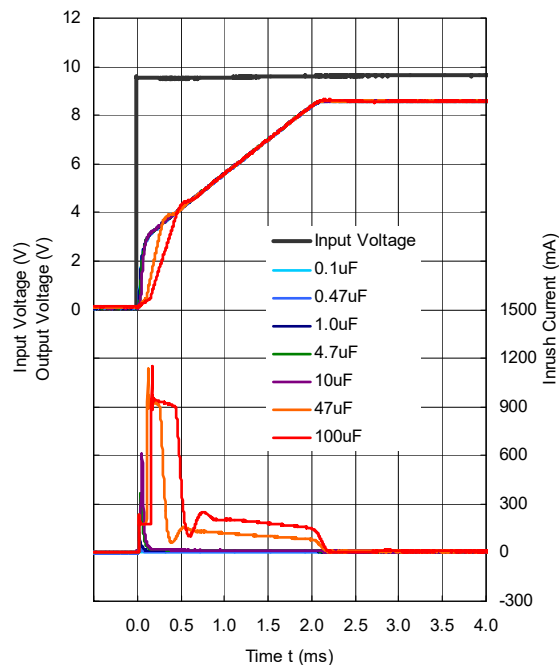
R1518x33xE/F ( $C_D = 10\text{ nF}$ )



R1518x50xE/F ( $C_D = 10\text{ nF}$ )



R1518x85xE/F ( $C_D = 10\text{ nF}$ )



The power dissipation of the package is dependent on PCB material, layout, and environmental conditions. The following measurement conditions are based on JEDEC STD. 51-7.

**Measurement Conditions**

Item	Measurement Conditions
Environment	Mounting on Board (Wind Velocity = 0 m/s)
Board Material	Glass Cloth Epoxy Plastic (Four-Layer Board)
Board Dimensions	76.2 mm × 114.3 mm × 0.8 mm
Copper Ratio	Outer Layer (First Layer): Less than 95% of 50 mm Square Inner Layers (Second and Third Layers): Approx. 100% of 50 mm Square Outer Layer (Fourth Layer): Approx. 100% of 50 mm Square
Through-holes	φ 0.3 mm × 28 pcs

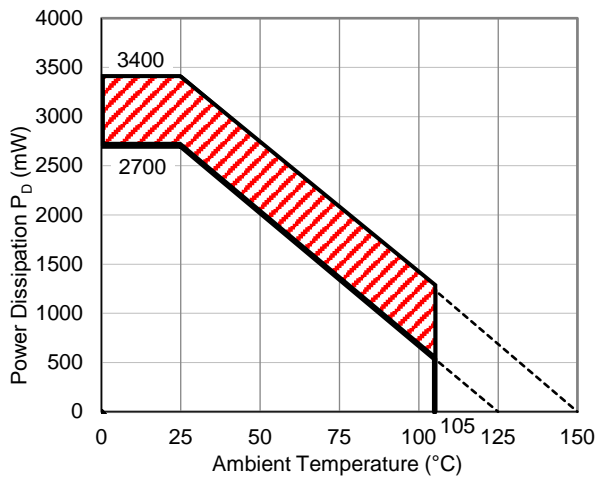
**Measurement Result**

(Ta = 25°C, Tjmax = 125°C)

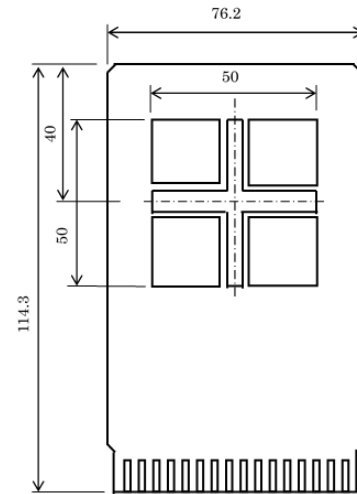
Item	Measurement Result
Power Dissipation	2700 mW
Thermal Resistance (θja)	θja = 37°C/W
Thermal Characterization Parameter (ψjt)	ψjt = 7°C/W

θja: Junction-to-Ambient Thermal Resistance

ψjt: Junction-to-Top Thermal Characterization Parameter



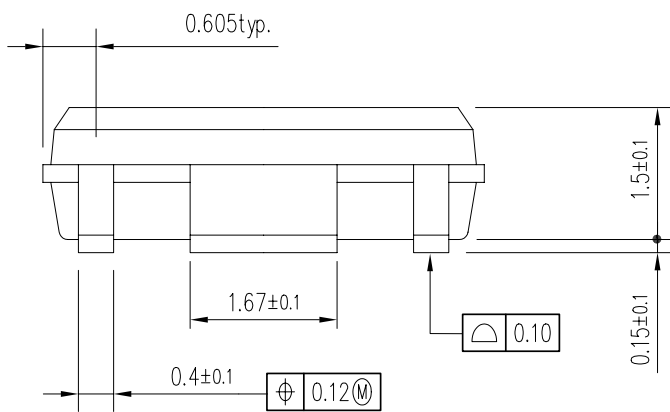
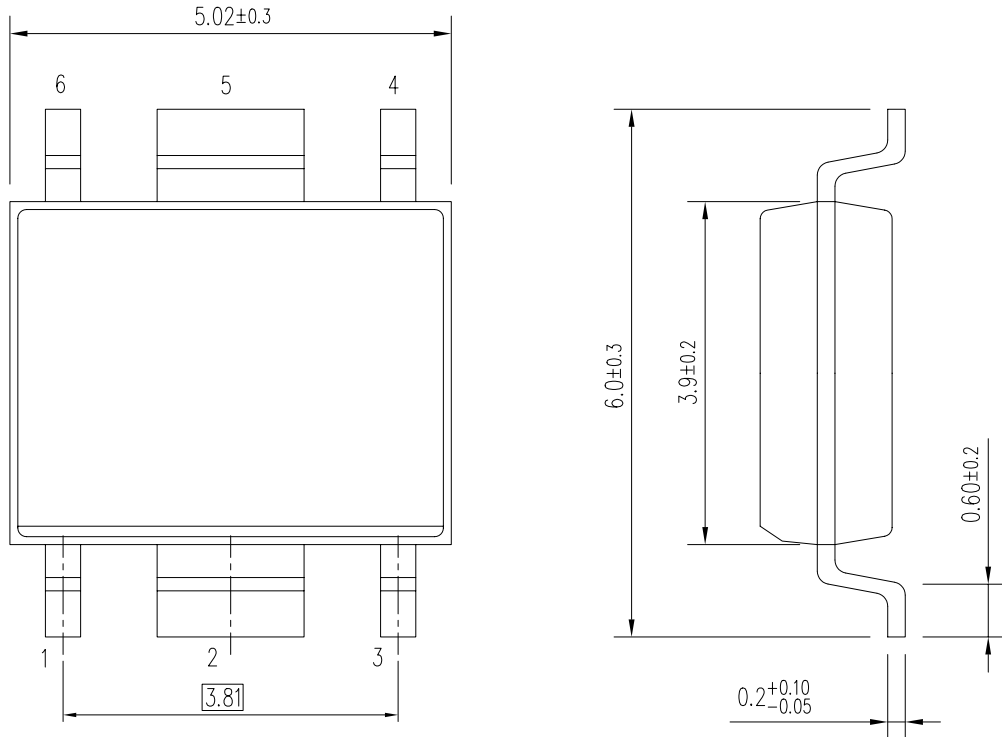
**Power Dissipation vs. Ambient Temperature**



**Measurement Board Pattern**

The above graph shows the power dissipation of the package at Tjmax = 125°C and Tjmax = 150°C. Operating the device in the hatched range might have a negative influence on its lifetime. The total hours of use and the total years of use must be limited as follows:

Total Hours of Use	Total Years of Use (4 hours/day)
13,000 hours	9 years



UNIT: mm

HSOP-6J Package Dimensions

The power dissipation of the package is dependent on PCB material, layout, and environmental conditions. The following measurement conditions are based on JEDEC STD. 51-7.

**Measurement Conditions**

Item	Measurement Conditions
Environment	Mounting on Board (Wind Velocity = 0 m/s)
Board Material	Glass Cloth Epoxy Plastic (Four-Layer Board)
Board Dimensions	76.2 mm x 114.3 mm x 0.8 mm
Copper Ratio	Outer Layer (First Layer): Approx.95% of 50 mm Square Inner Layers (Second and Third Layers): Approx. 100% of 50 mm Square Outer Layer (Fourth Layer): Approx. 100% of 50 mm Square
Through-holes	φ 0.3 mm x 21 pcs

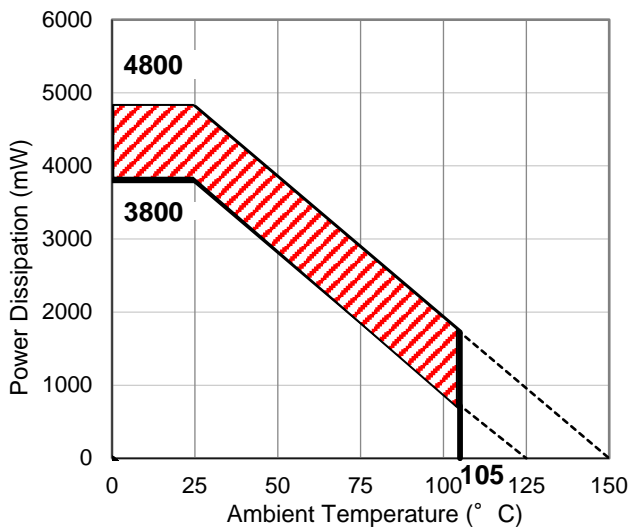
**Measurement Result**

(Ta = 25°C, Tjmax = 125°C)

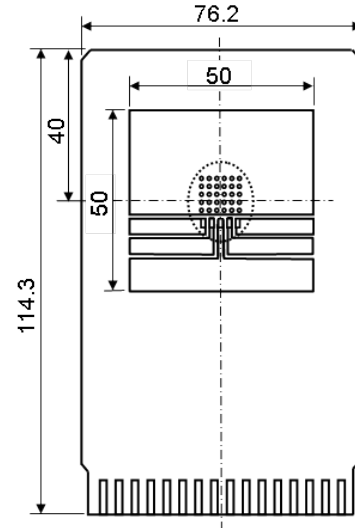
Item	Measurement Result
Power Dissipation	3800 mW
Thermal Resistance (θja)	θja = 26°C/W
Thermal Characterization Parameter (ψjt)	ψjt = 7°C/W

θja: Junction-to-Ambient Thermal Resistance

ψjt: Junction-to-Top Thermal Characterization Parameter



**Power Dissipation vs. Ambient Temperature**

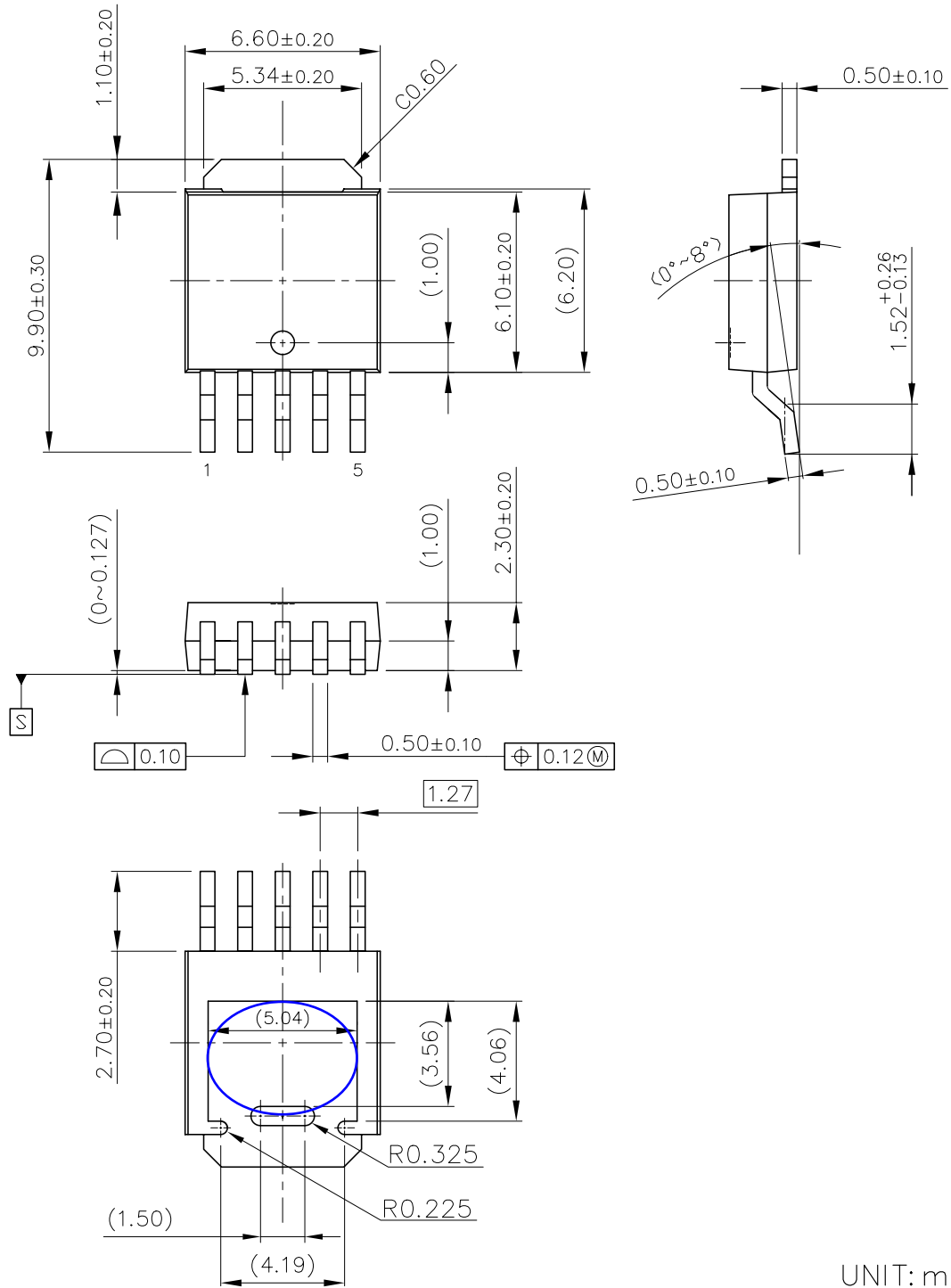


**Measurement Board Pattern**

The above graph shows the power dissipation of the package at Tjmax = 125°C and Tjmax = 150°C. Operating the device in the hatched range might have a negative influence on its lifetime. The total hours of use and the total years of use must be limited as follows:

Total Hours of Use	Total Years of Use (4 hours/day)
13,000 hours	9 years





UNIT: mm

TO-252-5-P2 Package Dimensions

\* The tab on the bottom of the package shown by blue circle is a substrate potential (GND). It is recommended that this tab be connected to the ground plane on the board but it is possible to leave the tab floating.



1. The products and the product specifications described in this document are subject to change or discontinuation of production without notice for reasons such as improvement. Therefore, before deciding to use the products, please refer to Ricoh sales representatives for the latest information thereon.
2. The materials in this document may not be copied or otherwise reproduced in whole or in part without prior written consent of Ricoh.
3. Please be sure to take any necessary formalities under relevant laws or regulations before exporting or otherwise taking out of your country the products or the technical information described herein.
4. The technical information described in this document shows typical characteristics of and example application circuits for the products. The release of such information is not to be construed as a warranty of or a grant of license under Ricoh's or any third party's intellectual property rights or any other rights.
5. The products listed in this document are intended and designed for use as general electronic components in standard applications (office equipment, telecommunication equipment, measuring instruments, consumer electronic products, amusement equipment etc.). Those customers intending to use a product in an application requiring extreme quality and reliability, for example, in a highly specific application where the failure or misoperation of the product could result in human injury or death (aircraft, spacevehicle, nuclear reactor control system, traffic control system, automotive and transportation equipment, combustion equipment, safety devices, life support system etc.) should first contact us.
6. We are making our continuous effort to improve the quality and reliability of our products, but semiconductor products are likely to fail with certain probability. In order to prevent any injury to persons or damages to property resulting from such failure, customers should be careful enough to incorporate safety measures in their design, such as redundancy feature, fire containment feature and fail-safe feature. We do not assume any liability or responsibility for any loss or damage arising from misuse or inappropriate use of the products.
7. Anti-radiation design is not implemented in the products described in this document.
8. The X-ray exposure can influence functions and characteristics of the products. Confirm the product functions and characteristics in the evaluation stage.
9. WLCSP products should be used in light shielded environments. The light exposure can influence functions and characteristics of the products under operation or storage.
10. There can be variation in the marking when different AOI (Automated Optical Inspection) equipment is used. In the case of recognizing the marking characteristic with AOI, please contact Ricoh sales or our distributor before attempting to use AOI.
11. Please contact Ricoh sales representatives should you have any questions or comments concerning the products or the technical information.



**Ricoh is committed to reducing the environmental loading materials in electrical devices with a view to contributing to the protection of human health and the environment.**

Ricoh has been providing RoHS compliant products since April 1, 2006 and Halogen-free products since April 1, 2012.

**RICOH** RICOH ELECTRONIC DEVICES CO., LTD.

<https://www.e-devices.ricoh.co.jp/en/>

#### Sales & Support Offices

##### **Ricoh Electronic Devices Co., Ltd.**

##### **Shin-Yokohama Office (International Sales)**

2-3, Shin-Yokohama 3-chome, Kohoku-ku, Yokohama-shi, Kanagawa, 222-8530, Japan  
Phone: +81-50-3814-7687 Fax: +81-45-474-0074

##### **Ricoh Americas Holdings, Inc.**

675 Campbell Technology Parkway, Suite 200 Campbell, CA 95008, U.S.A.  
Phone: +1-408-610-3105

##### **Ricoh Europe (Netherlands) B.V.**

##### **Semiconductor Support Centre**

Prof. W.H. Keesomlaan 1, 1183 DJ Amstelveen, The Netherlands  
Phone: +31-20-5474-309

##### **Ricoh International B.V. - German Branch**

##### **Semiconductor Sales and Support Centre**

Oberrather Strasse 6, 40472 Düsseldorf, Germany  
Phone: +49-211-6546-0

##### **Ricoh Electronic Devices Korea Co., Ltd.**

3F, Haesung Bldg, 504, Teheran-ro, Gangnam-gu, Seoul, 135-725, Korea  
Phone: +82-2-2135-5700 Fax: +82-2-2051-5713

##### **Ricoh Electronic Devices Shanghai Co., Ltd.**

Room 403, No.2 Building, No.690 Bibo Road, Pu Dong New District, Shanghai 201203,  
People's Republic of China  
Phone: +86-21-5027-3200 Fax: +86-21-5027-3299

##### **Ricoh Electronic Devices Shanghai Co., Ltd.**

##### **Shenzhen Branch**

1205, Block D (Jinlong Building), Kingkey 100, Hongbao Road, Luohu District,  
Shenzhen, China  
Phone: +86-755-8348-7600 Ext 225

##### **Ricoh Electronic Devices Co., Ltd.**

##### **Taipei office**

Room 109, 10F-1, No.51, Hengyang Rd., Taipei City, Taiwan  
Phone: +886-2-2313-1621/1622 Fax: +886-2-2313-1623

# Mouser Electronics

Authorized Distributor

Click to View Pricing, Inventory, Delivery & Lifecycle Information:

## Ricoh Electronics:

[R1518J331E-T1-FE](#) [R1518S251D-E2-FE](#) [R1518J501F-T1-FE](#) [R1518S251B-E2-FE](#) [R1518S851E-E2-FE](#)  
[R1518J341F-T1-FE](#) [R1518J501E-T1-FE](#) [R1518S331E-E2-FE](#) [R1518S501F-E2-FE](#) [R1518S851F-E2-FE](#)  
[R1518S331D-E2-FE](#) [R1518S001C-E2-FE](#) [R1518J331D-T1-FE](#) [R1518J341E-T1-FE](#) [R1518J851B-T1-FE](#)  
[R1518S501D-E2-FE](#) [R1518S331B-E2-FE](#) [R1518S341E-E2-FE](#) [R1518S851B-E2-FE](#) [R1518J331F-T1-FE](#)  
[R1518J851E-T1-FE](#) [R1518S851D-E2-FE](#) [R1518S501E-E2-FE](#) [R1518J501D-T1-FE](#) [R1518J501B-T1-FE](#)  
[R1518J851F-T1-FE](#) [R1518S251E-E2-FE](#) [R1518S341B-E2-FE](#) [R1518J341B-T1-FE](#) [R1518J251E-T1-FE](#)  
[R1518S341F-E2-FE](#) [R1518J251D-T1-FE](#) [R1518S601B-E2-FE](#) [R1518J851D-T1-FE](#) [R1518S251F-E2-FE](#)  
[R1518J341D-T1-FE](#) [R1518J331B-T1-FE](#) [R1518J251B-T1-FE](#) [R1518S341D-E2-FE](#) [R1518S331F-E2-FE](#)  
[R1518J251F-T1-FE](#) [R1518S501B-E2-FE](#) [R1518J001C-T1-FE](#) [R1518S332B-E2-KE](#) [R1518S802B-E2-KE](#)

Компания «Океан Электроники» предлагает заключение долгосрочных отношений при поставках импортных электронных компонентов на взаимовыгодных условиях!

Наши преимущества:

- Поставка оригинальных импортных электронных компонентов напрямую с производств Америки, Европы и Азии, а так же с крупнейших складов мира;
- Широкая линейка поставок активных и пассивных импортных электронных компонентов (более 30 млн. наименований);
- Поставка сложных, дефицитных, либо снятых с производства позиций;
- Оперативные сроки поставки под заказ (от 5 рабочих дней);
- Экспресс доставка в любую точку России;
- Помощь Конструкторского Отдела и консультации квалифицированных инженеров;
- Техническая поддержка проекта, помощь в подборе аналогов, поставка прототипов;
- Поставка электронных компонентов под контролем ВП;
- Система менеджмента качества сертифицирована по Международному стандарту ISO 9001;
- При необходимости вся продукция военного и аэрокосмического назначения проходит испытания и сертификацию в лаборатории (по согласованию с заказчиком);
- Поставка специализированных компонентов военного и аэрокосмического уровня качества (Xilinx, Altera, Analog Devices, Intersil, Interpoint, Microsemi, Actel, Aeroflex, Peregrine, VPT, Syfer, Eurofarad, Texas Instruments, MS Kennedy, Miteq, Cobham, E2V, MA-COM, Hittite, Mini-Circuits, General Dynamics и др.);

Компания «Океан Электроники» является официальным дистрибьютором и эксклюзивным представителем в России одного из крупнейших производителей разъемов военного и аэрокосмического назначения «JONHON», а так же официальным дистрибьютором и эксклюзивным представителем в России производителя высокотехнологичных и надежных решений для передачи СВЧ сигналов «FORSTAR».



## JONHON

«JONHON» (основан в 1970 г.)

Разъемы специального, военного и аэрокосмического назначения:

(Применяются в военной, авиационной, аэрокосмической, морской, железнодорожной, горно- и нефтедобывающей отраслях промышленности)

«FORSTAR» (основан в 1998 г.)

ВЧ соединители, коаксиальные кабели, кабельные сборки и микроволновые компоненты:

(Применяются в телекоммуникациях гражданского и специального назначения, в средствах связи, РЛС, а так же военной, авиационной и аэрокосмической отраслях промышленности).



Телефон: 8 (812) 309-75-97 (многоканальный)

Факс: 8 (812) 320-03-32

Электронная почта: [ocean@oceanchips.ru](mailto:ocean@oceanchips.ru)

Web: <http://oceanchips.ru/>

Адрес: 198099, г. Санкт-Петербург, ул. Калинина, д. 2, корп. 4, лит. А