

DATA SHEET

AS195-306LF: PHEMT GaAs IC High-Power SP5T Switch 0.1 to 2 GHz

Applications

- 2G/3G cellular infrastructure

Features

- Five symmetric RF paths
- Positive voltage control
- High IP3
- Excellent harmonic performance
- Handles GSM power levels
- Available in a small, low-profile QFN-16 (4 x 4 mm) package (MSL1 @ 260 °C per JEDEC J-STD-020)



Skyworks Green™ products are compliant with all applicable legislation and are halogen-free. For additional information, refer to *Skyworks Definition of Green™*, document number SQ04-0074.

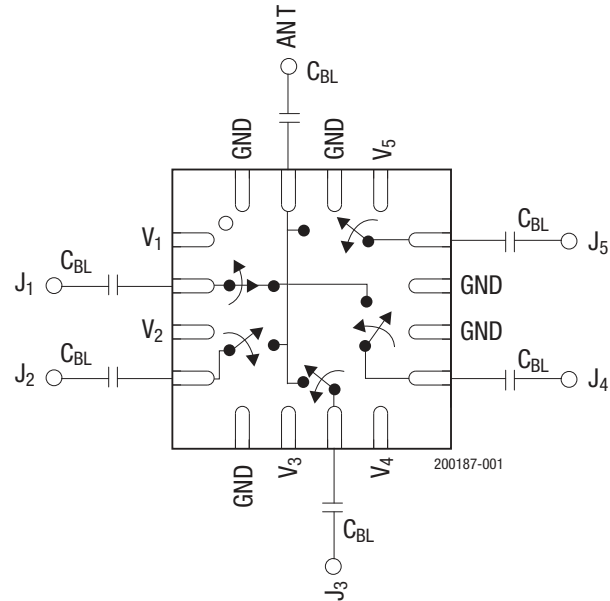


Figure 1. Functional Block Diagram and Pinout of the AS195-306LF

Description

The AS195-306 is a reflective SP5T switch. It is an ideal switch for higher power applications. It can be used for GSM dual-band handset applications where low loss, low current and small size are critical parameters.

Figure 1 shows the block diagram and pinout for the AS195-306LF.

Electrical and Mechanical Specifications

The absolute maximum ratings of the AS195-306LF are shown in Table 2. Recommended operating conditions of the AS195-306LF are provided in Table 3. The electrical specifications are provided in Table 4. Table 5 shows the electrical specifications for nominal operating conditions.

Figures 2, 3, and 4 show the typical performance characteristics for the AS195-306.

Table 2. AS195-306LF Absolute Maximum Ratings

Parameter	Minimum	Typical	Maximum	Units
RF input power			+36 dBm, f > 500 MHz, +27 dBm < 500 MHz, 0/8 V control 100 mW, f ≤ 500 MHz	
Control voltage	-0.2		8	V
Operating temperature	-40		+85	°C
Storage temperature	-65		+150	°C

ESD HANDLING: Although this device is designed to be as robust as possible, electrostatic discharge (ESD) can damage this device. This device must be protected at all times from ESD when handling or transporting. Static charges may easily produce potentials of several kilovolts on the human body or equipment, which can discharge without detection. Industry-standard ESD handling precautions should be used at all times.

Table 3. AS195-306LF Recommended Operating Conditions

Parameter	Condition	Minimum	Typical	Maximum	Units
Switching characteristics:					
Rise, fall	10/90%, RF		50		ns
On, off	50% CTL to 90/10% RF		100		ns
Video feedthru	T _{RISE} = 1 ns, BW = 500 MHz		50		mV
IP3	+13 dBm/tone		55		dBm
2 nd and 3 rd harmonics	+ 34 dBm input 900 MHz		-65		dBc
Thermal resistance			25		°C/W
Control voltages	V _{LOW} V _{HIGH}		0 3		V V
Control current	I _{DD} @ V _{HIGH} = 3 V			200	µA

Table 4. AS195-306LF Electrical Specifications
(TA = +25°C, V_{LOW} = 0 V, V_{HIGH} = 3 V, Z₀ = 50 Ω, Unless Otherwise Specified)

Parameter	Symbol	Conditions	Min	Typ	Max	Units
Insertion loss	Ant to J1, J2, J3, J4, J5	0.1 to 0.5 GHz		0.5	0.7	dB
		0.5 to 1.0 GHz		0.6	0.8	dB
		1.0 to 2.0 GHz		1.0	1.1	dB
Isolation	Ant to J1, J2, J3, J4, J5	0.1 to 0.5 GHz	30	35		dB
		0.5 to 1.0 GHz	25	27		dB
		1.0 to 2.0 GHz	21	23		dB
VSWR		0.1 to 1.0 GHz		1.4:1		
		1.0 to 2.0 GHz		1.6:1		

Table 5. AS196-306LF Truth Table¹

V1	V2	V3	V4	V5	ANT-J1	ANT-J2	ANT-J3	ANT-J4	ANT-J5
V _{HIGH}	0	0	0	0	Insertion loss	Isolation	Isolation	Isolation	Isolation
0	V _{HIGH}	0	0	0	Isolation	Insertion loss	Isolation	Isolation	Isolation
0	0	V _{HIGH}	0	0	Isolation	Isolation	Insertion loss	Isolation	Isolation
0	0	0	V _{HIGH}	0	Isolation	Isolation	Isolation	Insertion loss	Isolation
0	0	0		V _{HIGH}	Isolation	Isolation	Isolation	Isolation	Insertion loss

¹ All other conditions not recommended.
 "0" = 0 to 0.2 V.
 "V_{HIGH}" = 2.7 to 5 V.

Typical Performance Characteristics
 ($Z_0 = 50 \Omega$, Unless Otherwise Specified)

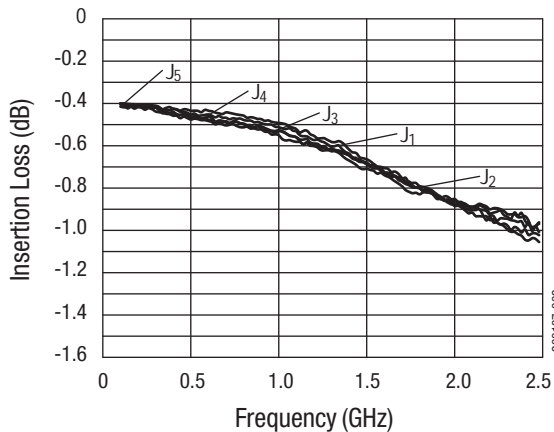


Figure 2. Typical Loss (All Paths) vs Frequency

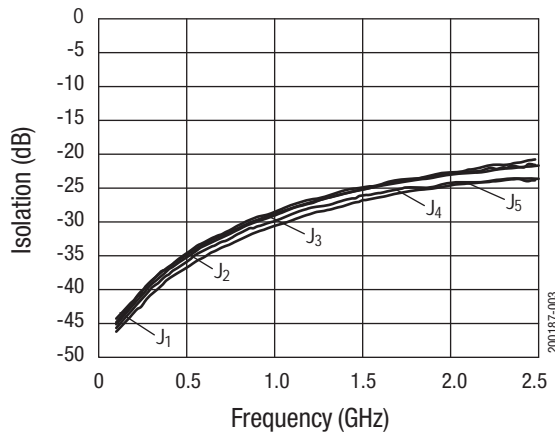


Figure 3. Typical Isolation (All Paths) vs Frequency

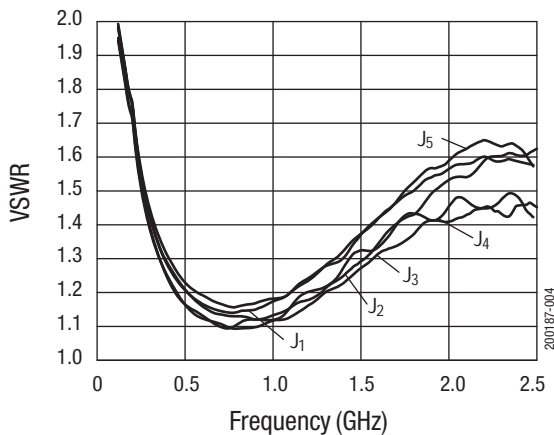


Figure 4. VSWR vs Frequency

Package Dimensions

The typical part marking for the AS195-306LF is shown in Figure 5. Package dimensions are shown in Figure 6.

Package and Handling Information

Instructions on the shipping container label regarding exposure to moisture after the container seal is broken must be followed. Otherwise, problems related to moisture absorption may occur when the part is subjected to high temperature during solder assembly.

The AS195-306LF is rated to Moisture Sensitivity Level 3 (MSL3) at 260 °C. It can be used for lead or lead-free soldering. For additional information, refer to the Skyworks Application Note, *Solder Reflow Information*, document number 200164.

Care must be taken when attaching this product, whether it is done manually or in a production solder reflow environment. Production quantities of this product are shipped in a standard tape and reel format. For more information, refer to the *Discrete Devices and IC Switch/Attenuators Tape and Reel Package Orientation* application note.

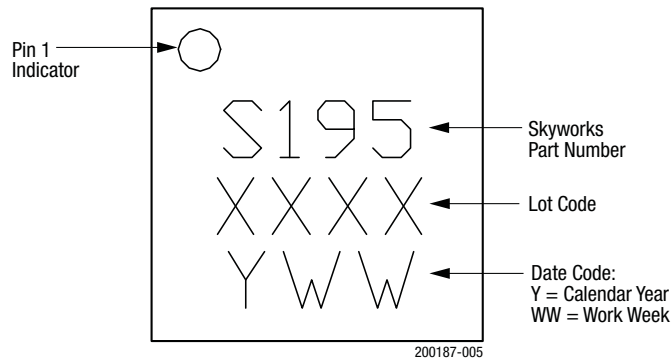
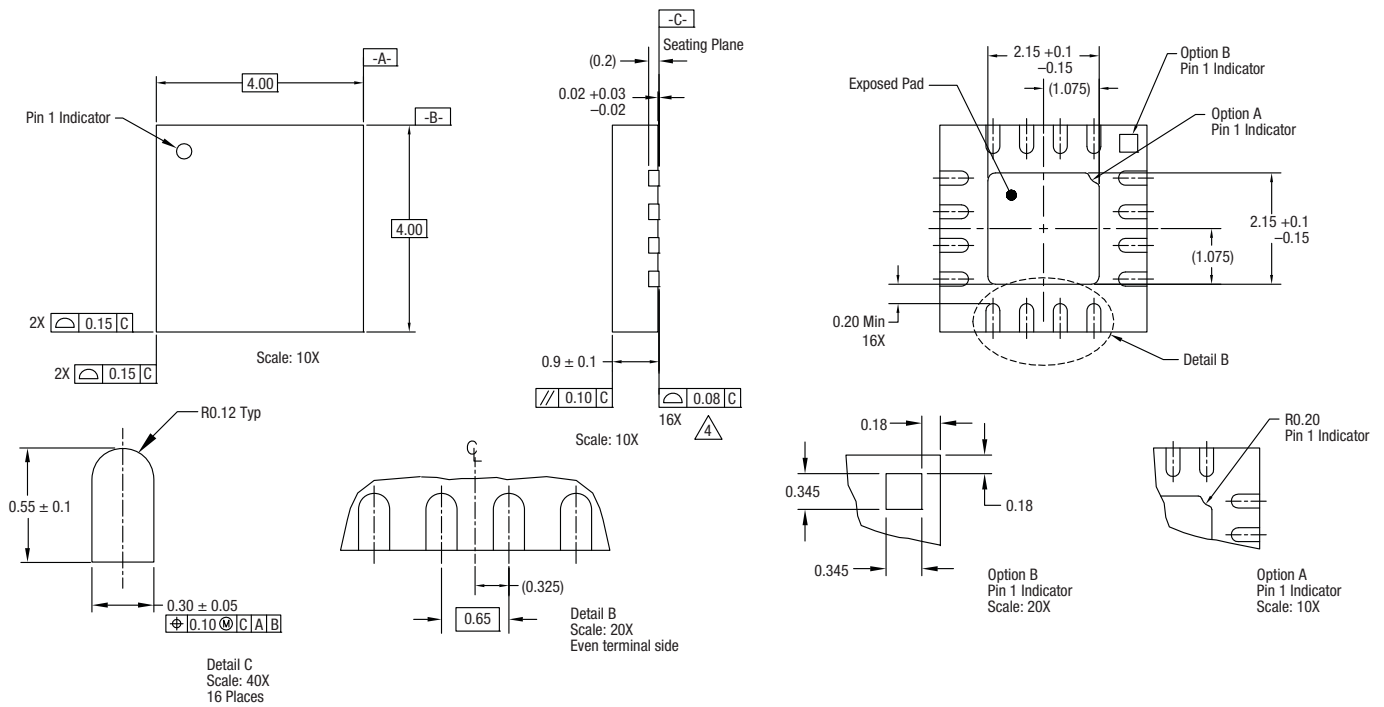


Figure 5. Typical Part Marking



Notes:

1. All measurements are in millimeters.
2. Dimensions and tolerances according to ASME Y14.5M-1994.
3. Coplanarity applies to the exposed heat sink slug as well as the terminals.
4. Plating requirement per source control drawing (SCD) 2504.
5. Package may have Option A or Option B pin 1 indicator.

200187-006

Figure 6. AS195-306LF Package Dimensions

Ordering Information

Model Name	Manufacturing Part Number
AS195-306LF: PHEMT GaAs IC High-Power SP5T Switch 0.1 to 2 GHz	AS195-306LF

Copyright © 2002-2007, 2016 Skyworks Solutions, Inc. All Rights Reserved.

Information in this document is provided in connection with Skyworks Solutions, Inc. (“Skyworks”) products or services. These materials, including the information contained herein, are provided by Skyworks as a service to its customers and may be used for informational purposes only by the customer. Skyworks assumes no responsibility for errors or omissions in these materials or the information contained herein. Skyworks may change its documentation, products, services, specifications or product descriptions at any time, without notice. Skyworks makes no commitment to update the materials or information and shall have no responsibility whatsoever for conflicts, incompatibilities, or other difficulties arising from any future changes.

No license, whether express, implied, by estoppel or otherwise, is granted to any intellectual property rights by this document. Skyworks assumes no liability for any materials, products or information provided hereunder, including the sale, distribution, reproduction or use of Skyworks products, information or materials, except as may be provided in Skyworks Terms and Conditions of Sale.

THE MATERIALS, PRODUCTS AND INFORMATION ARE PROVIDED “AS IS” WITHOUT WARRANTY OF ANY KIND, WHETHER EXPRESS, IMPLIED, STATUTORY, OR OTHERWISE, INCLUDING FITNESS FOR A PARTICULAR PURPOSE OR USE, MERCHANTABILITY, PERFORMANCE, QUALITY OR NON-INFRINGEMENT OF ANY INTELLECTUAL PROPERTY RIGHT; ALL SUCH WARRANTIES ARE HEREBY EXPRESSLY DISCLAIMED. SKYWORKS DOES NOT WARRANT THE ACCURACY OR COMPLETENESS OF THE INFORMATION, TEXT, GRAPHICS OR OTHER ITEMS CONTAINED WITHIN THESE MATERIALS. SKYWORKS SHALL NOT BE LIABLE FOR ANY DAMAGES, INCLUDING BUT NOT LIMITED TO ANY SPECIAL, INDIRECT, INCIDENTAL, STATUTORY, OR CONSEQUENTIAL DAMAGES, INCLUDING WITHOUT LIMITATION, LOST REVENUES OR LOST PROFITS THAT MAY RESULT FROM THE USE OF THE MATERIALS OR INFORMATION, WHETHER OR NOT THE RECIPIENT OF MATERIALS HAS BEEN ADVISED OF THE POSSIBILITY OF SUCH DAMAGE.

Skyworks products are not intended for use in medical, lifesaving or life-sustaining applications, or other equipment in which the failure of the Skyworks products could lead to personal injury, death, physical or environmental damage. Skyworks customers using or selling Skyworks products for use in such applications do so at their own risk and agree to fully indemnify Skyworks for any damages resulting from such improper use or sale.

Customers are responsible for their products and applications using Skyworks products, which may deviate from published specifications as a result of design defects, errors, or operation of products outside of published parameters or design specifications. Customers should include design and operating safeguards to minimize these and other risks. Skyworks assumes no liability for applications assistance, customer product design, or damage to any equipment resulting from the use of Skyworks products outside of stated published specifications or parameters.

Skyworks and the Skyworks symbol are trademarks or registered trademarks of Skyworks Solutions, Inc., in the United States and other countries. Third-party brands and names are for identification purposes only, and are the property of their respective owners. Additional information, including relevant terms and conditions, posted at www.skyworksinc.com, are incorporated by reference.

Компания «Океан Электроники» предлагает заключение долгосрочных отношений при поставках импортных электронных компонентов на взаимовыгодных условиях!

Наши преимущества:

- Поставка оригинальных импортных электронных компонентов напрямую с производств Америки, Европы и Азии, а так же с крупнейших складов мира;
- Широкая линейка поставок активных и пассивных импортных электронных компонентов (более 30 млн. наименований);
- Поставка сложных, дефицитных, либо снятых с производства позиций;
- Оперативные сроки поставки под заказ (от 5 рабочих дней);
- Экспресс доставка в любую точку России;
- Помощь Конструкторского Отдела и консультации квалифицированных инженеров;
- Техническая поддержка проекта, помощь в подборе аналогов, поставка прототипов;
- Поставка электронных компонентов под контролем ВП;
- Система менеджмента качества сертифицирована по Международному стандарту ISO 9001;
- При необходимости вся продукция военного и аэрокосмического назначения проходит испытания и сертификацию в лаборатории (по согласованию с заказчиком);
- Поставка специализированных компонентов военного и аэрокосмического уровня качества (Xilinx, Altera, Analog Devices, Intersil, Interpoint, Microsemi, Actel, Aeroflex, Peregrine, VPT, Syfer, Eurofarad, Texas Instruments, MS Kennedy, Miteq, Cobham, E2V, MA-COM, Hittite, Mini-Circuits, General Dynamics и др.);

Компания «Океан Электроники» является официальным дистрибьютором и эксклюзивным представителем в России одного из крупнейших производителей разъемов военного и аэрокосмического назначения «JONHON», а так же официальным дистрибьютором и эксклюзивным представителем в России производителя высокотехнологичных и надежных решений для передачи СВЧ сигналов «FORSTAR».



JONHON

«JONHON» (основан в 1970 г.)

Разъемы специального, военного и аэрокосмического назначения:

(Применяются в военной, авиационной, аэрокосмической, морской, железнодорожной, горно- и нефтедобывающей отраслях промышленности)

«FORSTAR» (основан в 1998 г.)

ВЧ соединители, коаксиальные кабели, кабельные сборки и микроволновые компоненты:

(Применяются в телекоммуникациях гражданского и специального назначения, в средствах связи, РЛС, а так же военной, авиационной и аэрокосмической отраслях промышленности).



Телефон: 8 (812) 309-75-97 (многоканальный)

Факс: 8 (812) 320-03-32

Электронная почта: ocean@oceanchips.ru

Web: <http://oceanchips.ru/>

Адрес: 198099, г. Санкт-Петербург, ул. Калинина, д. 2, корп. 4, лит. А