

TWR-ADC DAC-LTC Tower Module

User's Manual

Rev. 0

Table of Contents

1 TWR-ADC DAC-LTC Overview	4
1.1 Getting Started	5
1.2 Reference Documents	5
2 Hardware Description	6
2.1 Linear Technology Devices	6
2.1.1 LTC2600	6
2.1.2 LTC2704	6
2.1.3 LTC2498	7
2.1.4 LTC1859	7
2.1.5 LTC3471	7
2.1.6 LTC6655	8
2.2 SPI Interface	8
2.3 System Power	10
2.4 Input/Output Connectors	12
2.4.1 QuikEval Connectors	12
2.4.2 ADC and DAC Connections	12
2.4.3 Digital Debug Connector	13
2.5 Jumper Table	14
2.6 Tower Elevator Connections	15

List of Figures

Figure 1. Freescale Tower System Overview 4
 The features of the TWR-ADCDAC-LTC peripheral module are listed here and pointed out in Figure 2:.. 4
 Figure 2. Callouts on top side of the TWR-ADCDAC-LTC 5
 Figure 3. SPI Configuration Options..... 9
 Figure 4. Power Inputs 10
 Figure 5. LTC3471 Switching Regulator 11
 Figure 6. LTC6655-5 Voltage Reference..... 11
 Figure 7. QuikEval Connectors 12
 Figure 8. TWR-ADCDAC-LTC Default Jumper Settings 15

List of Tables

Table 1. SPI Chip-Select Decoder Truth Table..... 9
 Table 2. Decoded SPI Chip-Select Device Connections..... 10
 Table 3. Terminal Block Connections..... 13
 Table 4. Digital Debug Connector 14
 Table 5. TWR-ADCDAC-LTC Jumper Table 14
 Table 6. TWR-ADCDAC-LTC Primary Connector Pinout 15

Revision History

Revision	Date	Changes
1.0	Jan 17, 2010	Initial Release

1 TWR-ADCDAC-LTC Overview

The TWR-ADCDAC-LTC is a Tower Peripheral Module compatible with the Freescale Tower System (Figure 1). It features two analog-to-digital converters (ADC), two digital-to-analog converters (DAC), a voltage regulator and high-precision voltage reference from Linear Technology. SPI and I²C interface signal connections on the Primary Elevator Connector allow any Tower Controller Module with a SPI and I²C interface to configure and control all the features of the TWR-ADCDAC-LTC.

Controller Module

- Tower MCU/MPU board
- Works stand-alone or in Tower System
- Features integrated debugging interface for easy programming and run-control via standard USB cable

Secondary Elevator

- Additional and secondary serial and expansion bus signals
- Standardized signal assignments
- Mounting holes and expansion connectors for side-mounting peripheral boards

Size

- Tower is approx. 3.5" H x 3.5" W x 3.5" D when fully assembled

Peripheral Module

- Examples include serial interface module, memory expansion module and Wi-Fi®

Primary Elevator

- Common serial and expansion bus signals
- Two 2x80 connectors on backside for easy signal access and side-mounting board (LCD module)
- Power regulation circuitry
- Standardized signal assignments
- Mounting holes

Board Connectors

- Four card-edge connectors
- Uses PCI Express® connectors (x16, 90 mm/ 3.5" long, 164 pins)

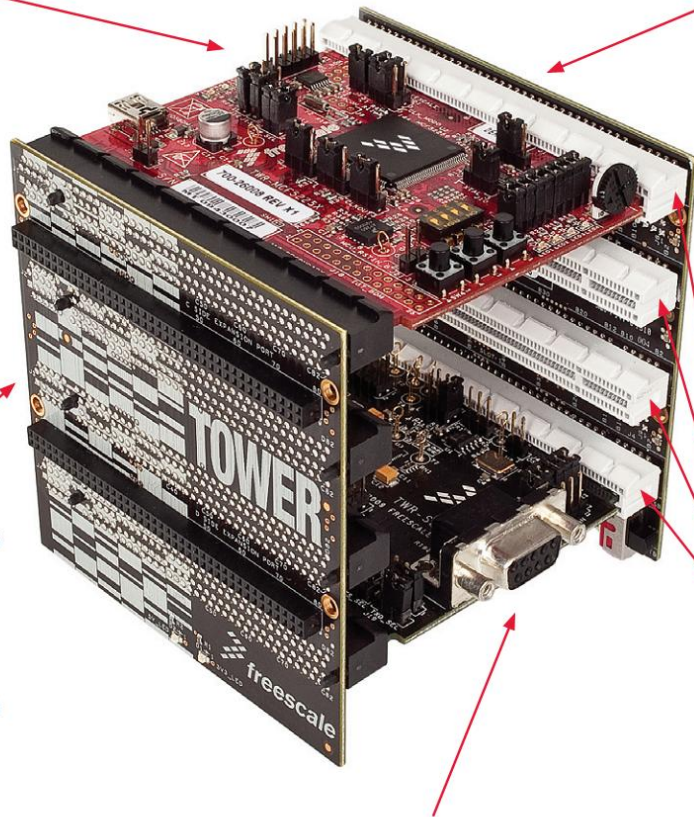


Figure 1. Freescale Tower System Overview

The features of the TWR-ADCDAC-LTC peripheral module are listed here and pointed out in Figure 2:

- Two Linear Technology digital-to-analog converters (DACs) with SPI interfaces
 - LTC2704-16: Quad 16-bit voltage output SoftSpan™ DAC with readback
 - LTC2600: Octal 16-bit rail-to-rail DACs
- Two Linear Technology analog-to-digital converters (ADCs) with SPI interfaces
 - LTC1859: 8-channel, 16-bit, 100 ksp/s SoftSpan ADC with shutdown
 - LTC2498: 24-bit 8-/16-channel delta sigma ADC with Easy Drive™ input current cancellation
- Linear Technology voltage regulator
 - LTC3471: Dual 1.3A, 1.2 MHz boost/inverter

- Linear Technology voltage reference
 - LTC6655-5: 0.25 ppm noise, low drift precision buffered 5V reference
- Four 14-pin headers for connecting to any Linear Technology QuikEval™ demonstration board via I²C or SPI

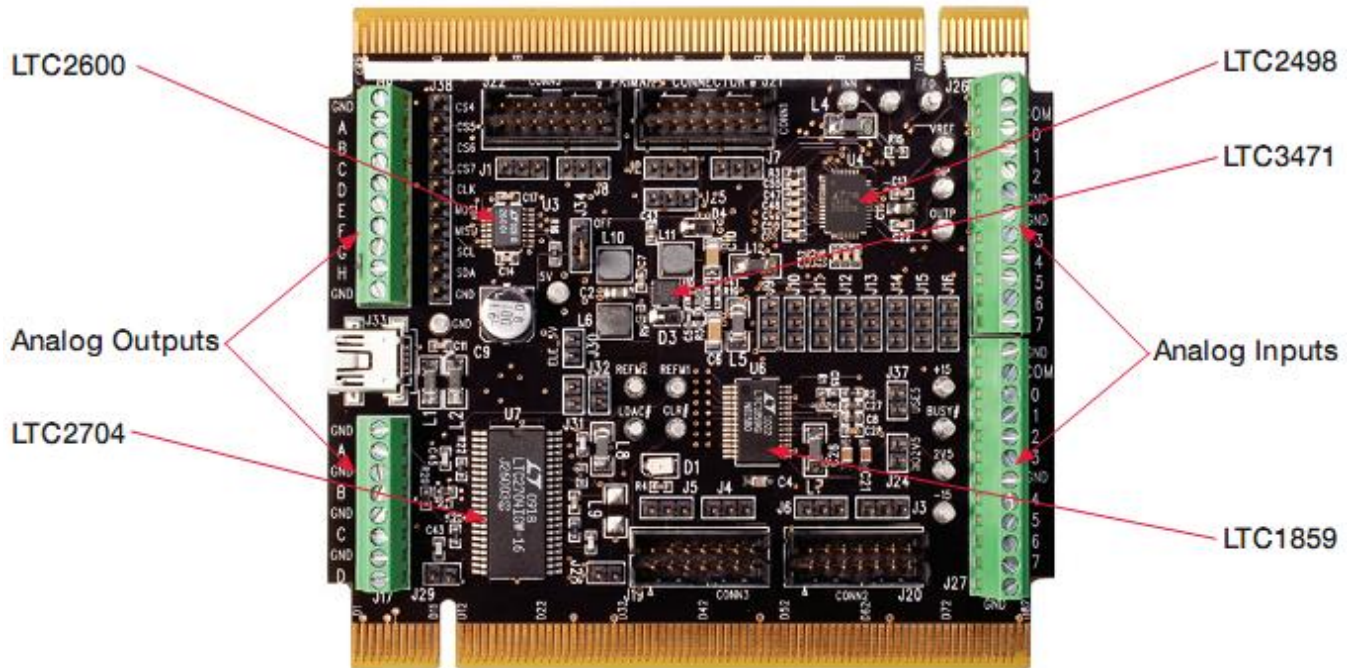


Figure 2. Callouts on top side of the TWR-ADCDAC-LTC

1.1 Getting Started

The TWR-ADCDAC-LTC is a Tower Peripheral Module that operates under the control of a Tower Controller Module. A software Demo Suite is available and is the best way to get started and exercise the features of the TWR-ADCDAC-LTC. A separate lab guide is available to walk the user through the Demo Suite. Refer to the [TWR-ADCDAC-LTC Lab Guide \(TWRADCDACLTLCLAB\)](#) for a list of the Tower Controller Modules that can run the Demo Suite.

1.2 Reference Documents

The documents and links listed below should be referenced for more information on the TWR-ADCDAC-LTC and the Tower System.

- *Freescale Tower System:* www.freescale.com/tower
- [TWR-ADCDAC-LTC Tool Support Page](#)
- [TWRADCDACLTCQSG](#): Quick Start Guide
- [TWRADCDACLTLCLAB](#): Lab Guide and Software
- [TWRADCDACLTCSCH](#): Schematics
- [TWR-ADCDAC-LTC-PWB](#): Design Package

Please refer to the following links for information on the Linear Technology devices featured on the TWR-ADCDAC-LTC.

- [LTC2600 Product Details](#)
- [LTC2704-16 Product Details](#)

- [LTC2498 Product Details](#)
- [LTC1859 Product Details](#)
- [LTC3471 Product Details](#)
- [LTC6655-5 Product Details](#)

2 Hardware Description

The TWR-ADC DAC-LTC features four Linear Technology converter devices, a voltage regulator and a high precision voltage reference. Each of the ADCs and DACs on the TWR-ADC DAC-LTC provide a SPI digital interface for configuration and control. In addition, the QuikEval headers utilize either a SPI or I²C interface. This section gives an overview of each of the on-board Linear Technology devices and describes the system power and digital interface configuration options.

2.1 Linear Technology Devices

This section provides a short description of each of the Linear Technology devices on the TWR-ADC DAC-LTC. Refer to the datasheets and product page links in the “Reference Documents” section for more product information. Refer to the TWR-ADC DAC-LTC schematics to see how these devices are connected on the TWR-ADC DAC-LTC.

2.1.1 LTC2600

The LTC2600/LTC2610/LTC2620 are octal 16-, 14- and 12-bit, 2.5V-to-5.5V rail-to-rail voltage-output DACs in 16-lead narrow SSOP and 20-lead 4mm × 5mm QFN packages. They have built-in high performance output buffers and are guaranteed monotonic.

These parts establish new board-density benchmarks for 16- and 14-bit DACs and advance performance standards for output drive, crosstalk and load regulation in single-supply, voltage-output multiples.

The parts use a simple SPI/MICROWIRE compatible 3-wire serial interface which can be operated at clock rates up to 50MHz. Daisychain capability and a hardware CLR function are included.

The LTC2600/LTC2610/LTC2620 incorporates a power-on reset circuit. During power-up, the voltage outputs rise less than 10mV above zero-scale; and after power-up, they stay at zero-scale until a valid write and update take place.

2.1.2 LTC2704

The LTC2704-16/LTC2704-14/LTC2704-12 are serial input, 12-, 14- or 16-bit, voltage output SoftSpan[™] DACs that operate from 3V to 5V logic and ±5V to ±15V analog supplies. SoftSpan offers six output spans—two unipolar and four bipolar—fully programmable through the 3-wire SPI serial interface. INL is accurate to 1LSB (2LSB for the LTC2704-16). DNL is accurate to 1LSB for all versions.

Readback commands allow verification of any on-chip register in just one 24- or 32- bit instruction cycle. All other commands produce a “rolling readback” response from the LTC2704, dramatically reducing the needed number of instruction cycles.

A Sleep command allows any combination of DACs to be powered down. There is also a reset flag and an offset adjustment pin for each channel.

2.1.3 LTC2498

The LTC2498 is a 16-channel (8-differential) 24-bit No Latency $\Delta\Sigma$ ADC with Easy Drive technology. The patented sampling scheme eliminates dynamic input current errors and the shortcomings of on-chip buffering through automatic cancellation of differential input current. This allows large external source impedances, and rail-to-rail input signals to be directly digitized while maintaining exceptional DC accuracy.

The LTC2498 includes a high accuracy temperature sensor and an integrated oscillator. This device can be configured to measure an external signal (from combinations of 16 analog input channels operating in single ended or differential modes) or its internal temperature sensor. The integrated temperature sensor offers 1/30th °C resolution and 2°C absolute accuracy.

The LTC2498 allows a wide common mode input range (0V to VCC), independent of the reference voltage. Any combination of single-ended or differential inputs can be selected and the first conversion after a new channel is selected is valid. Access to the multiplexer output enables optional external amplifiers to be shared between all analog inputs and auto calibration continuously removes their associated offset and drift.

2.1.4 LTC1859

The LTC1857/LTC1858/LTC1859 are 8-channel, low power, 12-/14-/16-bit, 100ksps, analog-to-digital converters (ADCs). These SoftSpan[™] ADCs can be software programmed for 0V to 5V, 0V to 10V, $\pm 5V$ or $\pm 10V$ input spans and operate from a single 5V supply. The 8-channel multiplexer can be programmed for single-ended inputs or pairs of differential inputs or combinations of both. In addition, all channels are fault protected to $\pm 25V$. A fault condition on any channel will not affect the conversion result of the selected channel.

An onboard high performance sample-and-hold and precision reference minimize external components. The low 40mW power dissipation is made even more attractive with two user selectable power shutdown modes. DC specifications include $\pm 3LSB$ INL for the LTC1859, $\pm 1.5LSB$ INL for the LTC1858 and $\pm 1LSB$ for the LTC1857.

The internal clock is trimmed for 5 μ s maximum conversion time and the sampling rate is guaranteed at 100ksps. A separate convert start input and data ready signal (BUSY) ease connections to FIFOs, DSPs and microprocessors.

2.1.5 LTC3471

The LT3471 dual switching regulator combines two 42V, 1.3A switches with error amplifiers that can sense to ground providing boost and inverting capability. The low VCESAT bipolar switches enable the device to deliver high current outputs in a small footprint. The LT3471 switches at 1.2MHz, allowing the use of tiny, low cost and low profile inductors and capacitors. High inrush current at start-up is eliminated using the programmable soft-start function, where an external RC sets the current ramp rate. A constant frequency current mode PWM architecture results in low, predictable output noise that is easy to filter.

The LT3471 switches are rated at 42V, making the device ideal for boost converters up to $\pm 40V$ as well as SEPIC and flyback designs. Each channel can generate 5V at up to 630mA from a 3.3V supply, or 5V at 510mA from four alkaline cells in a SEPIC design. The device can be configured as two boosts, a boost and inverter or two inverters.

The LT3471 is available in a low profile (0.75mm) 10-lead 3mm \times 3mm DFN package.

2.1.6 LTC6655

The LTC6655 is a complete family of precision bandgap voltage references, offering exceptional noise and drift performance. This low noise and drift is ideally suited for the high resolution measurements required by instrumentation and test equipment. In addition, the LTC6655 is fully specified over the temperature range of $-40^{\circ}C$ to $125^{\circ}C$, ensuring its suitability for demanding automotive and industrial applications. Advanced curvature compensation allows this bandgap reference to achieve a drift of less than 2ppm/ $^{\circ}C$ with a predictable temperature characteristic and an output voltage accurate to $\pm 0.025\%$, reducing or eliminating the need for calibration.

The LTC6655 can be powered from as little as 500mV above the output voltage to as much as 13.2V. Superior load regulation with source and sink capability, coupled with exceptional line rejection, ensures consistent performance over a wide range of operating conditions. A shutdown mode is provided for low power applications. Available in a small MSOP package, the LTC6655 family of references is an excellent choice for demanding precision applications.

2.2 SPI Interface

There are eight possible SPI devices on the TWR-ADCDAC-LTC: four ADC and DAC devices and four QuikEval connectors. The Primary Elevator Connector of the Tower System defines two SPI interface connections, but each only offers up to two chip-selects. Therefore, a 74HC138 3-to-8 line decoder along with three GPIO signals is used to generate the eight chip-select signals needed to accommodate all the possible SPI devices on the board. Figure 3 shows the schematic connections for the SPI configuration selections. Refer to Section 2.4.3 “Jumper Table” for more details on the jumper selection options.

The three signals decoded by the 74HC138 to generate the SPI chip-select signals can be driven by GPIO signals from the Primary Elevator Connector (GPIO7-9) or they can be set by jumper options J14-J16. Table 1 shows how the logic level on the three decoder inputs map to the SPI chip-select signals. Table 2 shows the devices to which the decoded chip-selects are connected.

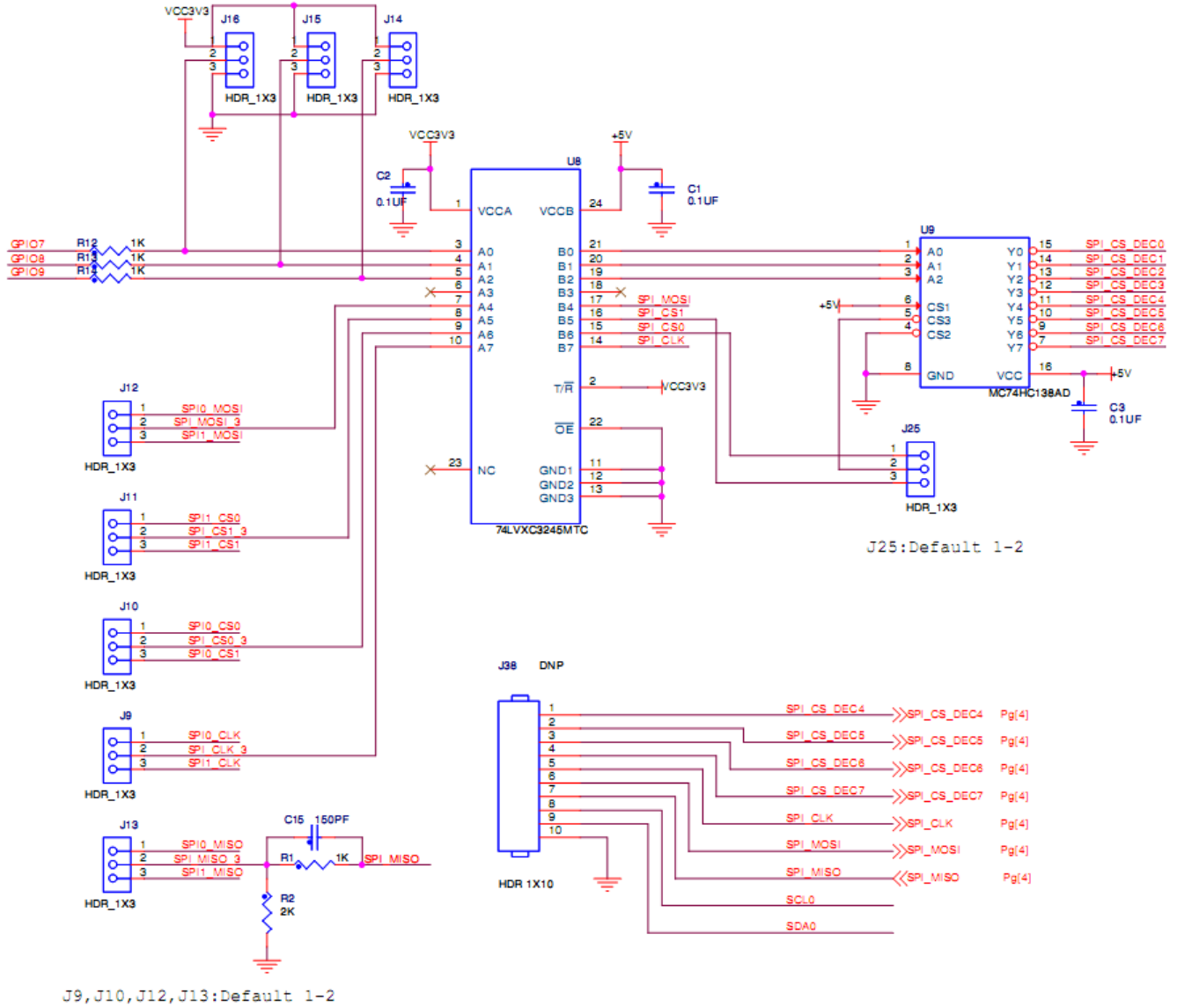


Figure 3. SPI Configuration Options

Table 1. SPI Chip-Select Decoder Truth Table

GPIO9 J14	GPIO8 J15	GPIO7 J16	Decoded SPI Chip-Select							
			0	1	2	3	4	5	6	7
L	L	L	L	H	H	H	H	H	H	H
L	L	H	H	L	H	H	H	H	H	H
L	H	L	H	H	L	H	H	H	H	H
L	H	H	H	H	H	L	H	H	H	H
H	L	L	H	H	H	H	L	H	H	H
H	L	H	H	H	H	H	H	L	H	H
H	H	L	H	H	H	H	H	H	L	H
H	H	H	H	H	H	H	H	H	H	L

Table 2. Decoded SPI Chip-Select Device Connections

Decoded CS Signal	Device
SPI_CS_DEC0	QuikEval J22
SPI_CS_DEC1	QuikEval J21
SPI_CS_DEC2	QuikEval J20
SPI_CS_DEC3	QuikEval J19
SPI_CS_DEC4	LTC2704
SPI_CS_DEC5	LTC2600
SPI_CS_DEC6	LTC2498
SPI_CS_DEC7	LTC1859

2.3 System Power

The Freescale Tower System supplies 3.3V and 5V supplies on the Elevator Connectors. However, the TWR-ADCDAC-LTC can—and by default, does—generate its own voltage supply and voltage reference from the 5V input on a standard mini-B USB connector (J33). As shown in Figure 4, jumper J30 can optionally be used to provide 5V from the Tower Elevator Connectors.

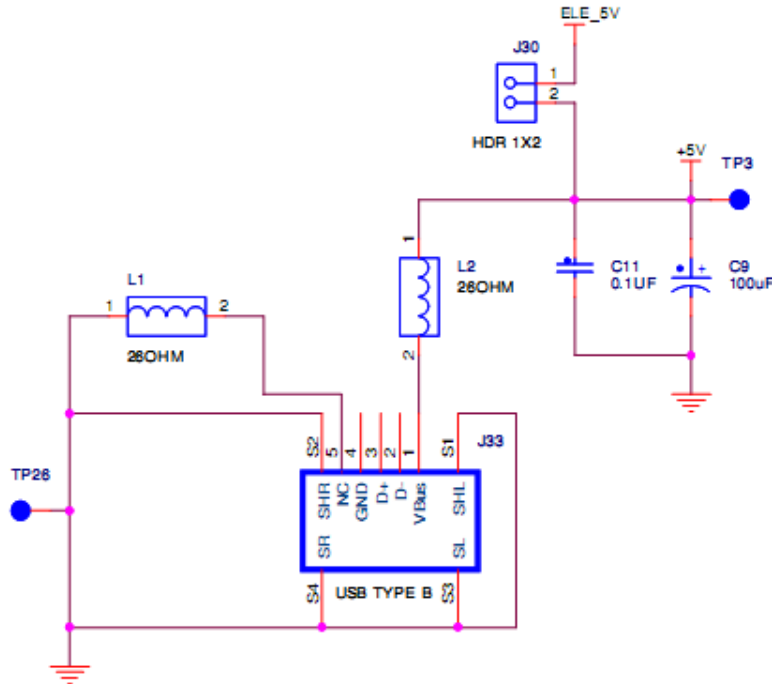


Figure 4. Power Inputs

The LTC3471 dual switching regulator (Figure 5) boosts and inverts the 5V input to generate clean +15V and -15V supply rails used by the LTC2704 ADC and the LTC6655-5 voltage regulator.

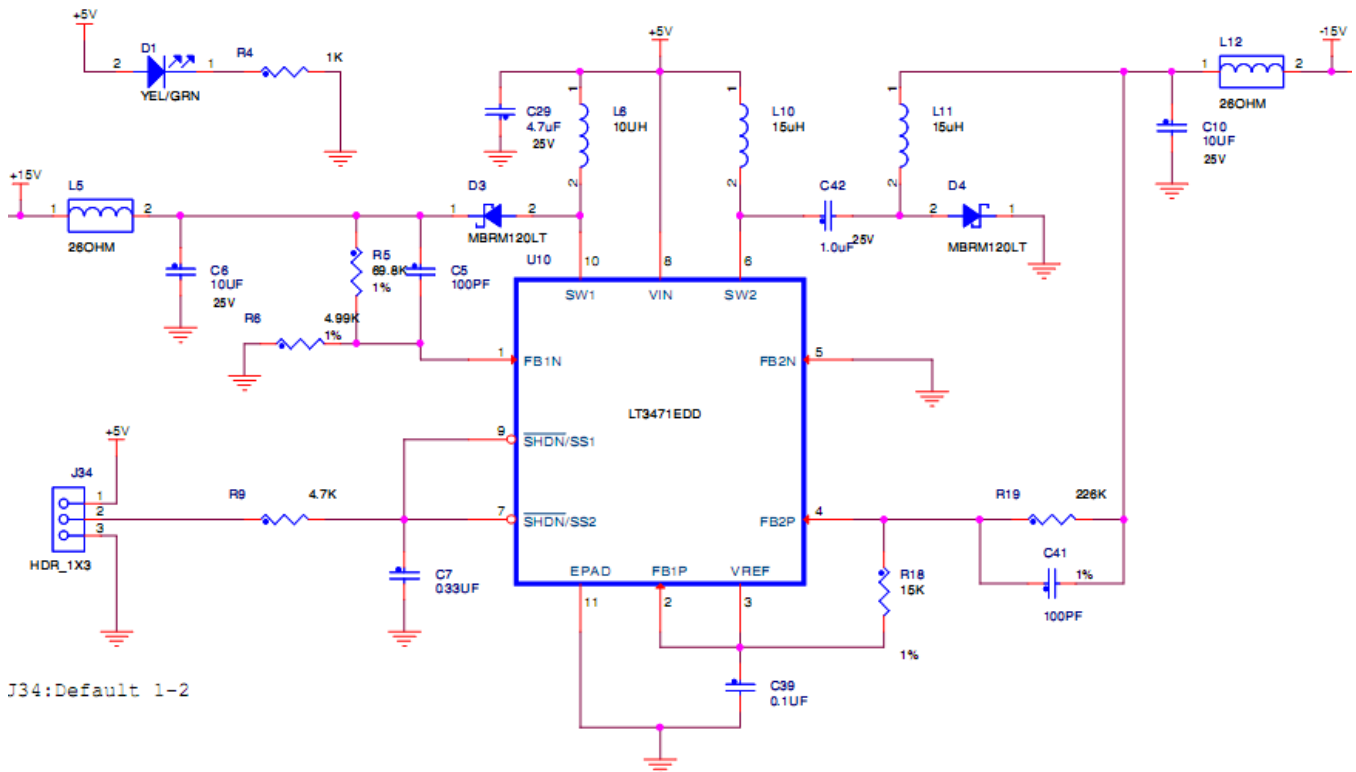
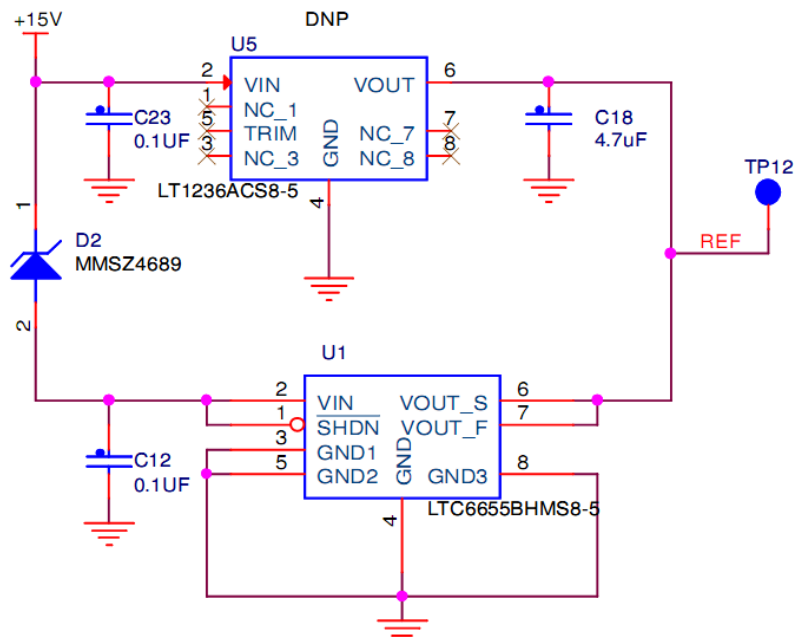


Figure 5. LTC3471 Switching Regulator

The LTC6655-5 precise bandgap voltage reference (Figure 6) uses the +15V as the input voltage generate a low-noise, low-drift 5.0V reference voltage used by the on-board ADCs and DACs.



U5 U1 only one will be installed

Figure 6. LTC6655-5 Voltage Reference

2.4 Input/Output Connectors

All the input and output connections on the TWR-ADCDAC-LTC are described in the following sections.

2.4.1 QuikEval Connectors

The QuikEval Connectors utilize either an I²C or SPI interface. Jumpers (J1-J8) are provided to select between I²C and SPI. These connectors can be used to connect to any Linear Technology evaluation board that is a member of the QuikEval family.

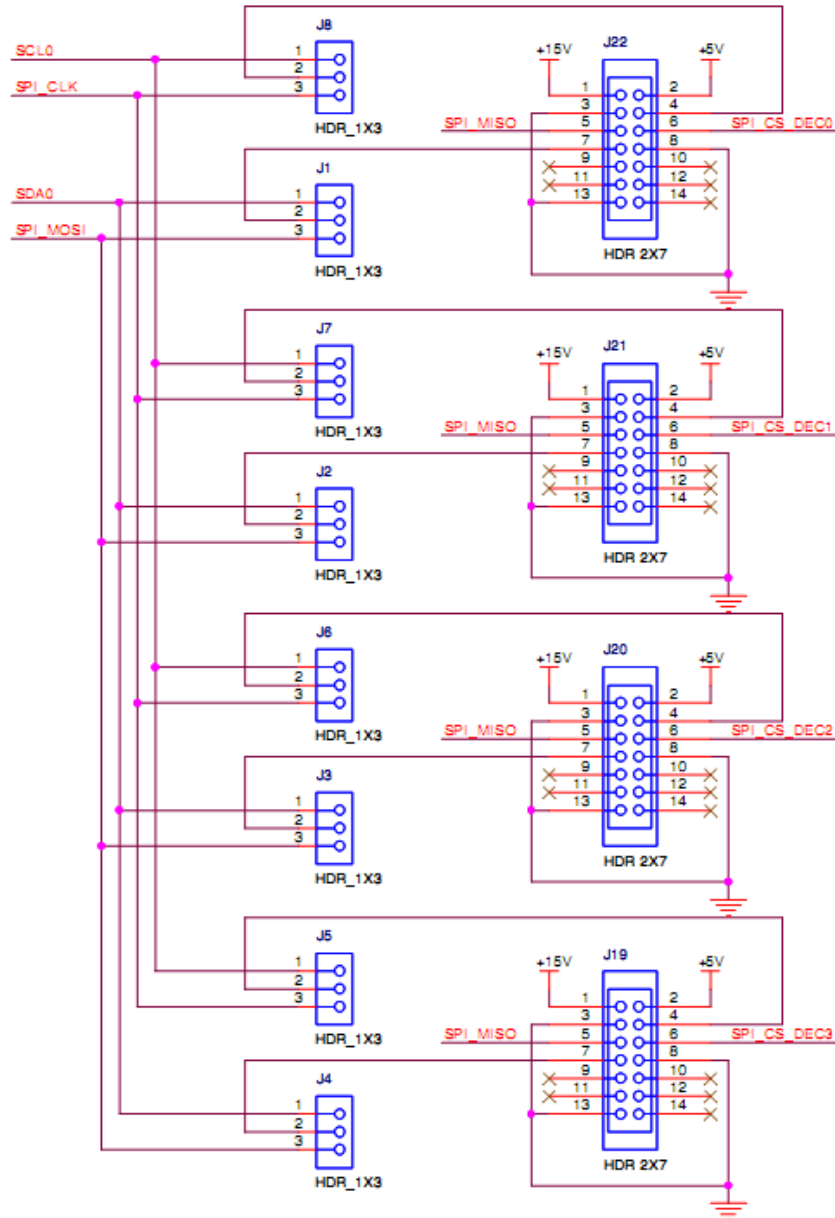


Figure 7. QuikEval Connectors

2.4.2 ADC and DAC Connections

The inputs and outputs of the four converter devices on the TWR-ADCDAC-LTC are brought to terminals on screw-in terminal blocks. The following table provides the information for how the signals are connected to the terminal blocks.

Table 3. Terminal Block Connections

LTC Device	Signal	Connection	Label
LTC2600 DAC	—	J18 pin 1	GND
	VOUTA	J18 pin 2	A
	VOUTB	J18 pin 3	B
	VOUTC	J18 pin 4	C
	VOUTD	J18 pin 5	D
	VOUTE	J18 pin 6	E
	VOUTF	J18 pin 7	F
	VOUTG	J18 pin 8	G
	VOUTH	J18 pin 9	H
	—	J18 pin 10	GND
LTC2704 DAC	—	J17 pin 1	GND
	VOUTA	J17 pin 2	A
	—	J17 pin 3	GND
	VOUTB	J17 pin 4	B
	—	J17 pin 5	GND
	VOUTC	J17 pin 6	C
	—	J17 pin 7	GND
VOUTD	J17 pin 8	D	
LTC2498 ADC	—	J26 pin 1	GND
	COM	J26 pin 2	COM
	CH0	J26 pin 3	0
	CH1	J26 pin 4	1
	CH2	J26 pin 5	2
	—	J26 pin 6	GND
	—	J26 pin 7	GND
	CH3	J26 pin 8	3
	CH4	J26 pin 9	4
	CH5	J26 pin 10	5
	CH6	J26 pin 11	6
	CH7	J26 pin 12	7
LTC1859 ADC	—	J27 pin 1	GND
	COM	J27 pin 2	COM
	CH0	J27 pin 3	0
	CH1	J27 pin 4	1
	CH2	J27 pin 5	2
	CH3	J27 pin 6	3
	—	J27 pin 7	GND
	CH4	J27 pin 8	4
	CH5	J27 pin 9	5
	CH6	J27 pin 10	6
	CH7	J27 pin 11	7
	—	J27 pin 12	GND

2.4.3 Digital Debug Connector

A 1x10, 0.1” pitch header with many of the digital communication signals is provided for easy debug access. Refer to Table 4 to the signal connection details.

Table 4. Digital Debug Connector

J38 Pin Number	Signal Connection
1	SPI_CS_DEC4
2	SPI_CS_DEC5
3	SPI_CS_DEC6
4	SPI_CS_DEC7
5	SPI_CLK
6	SPI_MOSI
7	SPI_MISO
8	SCL0
9	SDA0
10	GND

2.5 Jumper Table

There are several jumpers on the TWR-ADCDAC-LTC that provide configuration selection and signal isolation. Refer to the following table for details. The **default** installed jumper settings are shown in **bold**. The default jumper shunt locations are also shown in Figure 8.

Table 5. TWR-ADCDAC-LTC Jumper Table

Jumper	Option	Setting	Description
J1 - J8	QuikEval I ² C/SPI Selection	1-2	Connect I ² C signals to QuikEval header
		2-3	Connect SPI signals to QuikEval header
J9	SPI Port Selection -- SPI_CLK	1-2	Use SPI_CLK signal from SPI0
		2-3	Use SPI_CLK signal from SPI1
J10	SPI Port Selection -- SPI0_CSx	1-2	Select SPI0_CS0
		2-3	Select SPI0_CS1
J11	SPI Port Selection -- SPI1_CSx	1-2	Select SPI1_CS0
		2-3	Select SPI1_CS1
J12	SPI Port Selection -- SPI_MOSI	1-2	Use SPI_MOSI signal from SPI0
		2-3	Use SPI_MOSI signal from SPI1
J13	SPI Port Selection -- SPI_MISO	1-2	Use SPI_MISO signal from SPI0
		2-3	Use SPI_MISO signal from SPI1
J25	SPI Port Selection -- SPI_CS	1-2	Use SPI0_CSx (see J10)
		2-3	Use SPI1_CSx (see J11)
J14	SPI Chip-Select Encoding Bit 0 Setting	1-2	Connected to 3.3V
		2-3	Connected to GND
		OFF	Driven by GPIO9
J15	SPI Chip-Select Encoding Bit 1 Setting	1-2	Connected to 3.3V
		2-3	Connected to GND
		OFF	Driven by GPIO8
J16	SPI Chip-Select Encoding Bit 2 Setting	1-2	Connected to 3.3V
		2-3	Connected to GND
		OFF	Driven by GPIO7
J28, J29 J31, J32	LTC2704 VOSx GND Connection	ON	Connect VOSA, VOSB, VOSC, VOSD to GND
		OFF	Disconnect VOSx from GND
J30	Tower Power Connection	ON	Connect on-board 5V rail to Tower System
		OFF	Isolate on-board 5V rail from Tower System

Jumper	Option	Setting	Description
J34	LT3471 Shutdown	1-2	LT3471 voltage regulator enabled
		2-3	LT3471 voltage regulator disabled
J37	LTC1859 Reference Voltage Selection	ON	Use output of LTC6655-5 as reference
		OFF	Use GND as reference

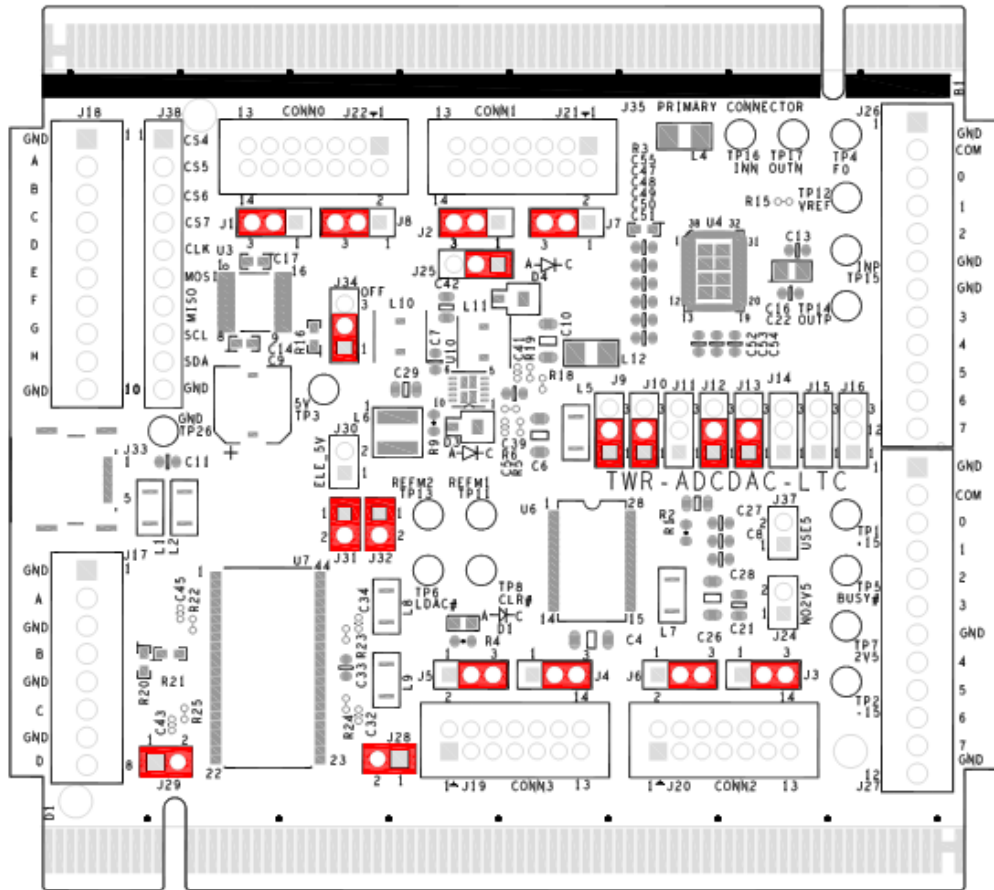


Figure 8. TWR-ADCDAC-LTC Default Jumper Settings

2.6 Tower Elevator Connections

The TWR-ADCDAC-LTC features two expansion card-edge connectors that interface to the Primary and Secondary Elevator boards in a Tower system. The Primary Connector (comprised of sides A and B) is utilized by the TWR-ADCDAC-LTC while the Secondary Connector (comprised of sides C and D) only makes connections to the GND pins. Table 6 provides the pinout for the Primary Connector. An “x” in the “Used” column indicates that a connection is made to that pin on the connector. An “x” in the “Jmp” column indicates that a jumper or other option is provided to remove or configure the connection—thus the connection can be removed if required.

Table 6. TWR-ADCDAC-LTC Primary Connector Pinout

TWR-ADCDAC-LTC Primary Connector									
Pin #	Side B				Pin #	Side A			
	Name	Usage	Used	Jmp		Name	Usage	Used	Jmp
B1	5V	5.0V Power	X		A1	5V	5.0V Power	X	

TWR-ADC DAC-LTC Primary Connector									
Pin #	Side B				Pin #	Side A			
	Name	Usage	Used	Jmp		Name	Usage	Used	Jmp
B2	GND	Ground	X		A2	GND	Ground	X	
B3	3.3V	3.3V Power	X		A3	3.3V	3.3V Power	X	
B4	ELE_PS_SENSE	Power Sense	X		A4	3.3V	3.3V Power	X	
B5	GND	Ground	X		A5	GND	Ground	X	
B6	GND	Ground	X		A6	GND	Ground	X	
B7	SDHC_CLK / SPI1_CLK	SPI1_CLK	X	X	A7	SCL0	SCL0	X	X
B8	SDHC_D3 / SPI1_CS1_b	SPI1_CS1	X	X	A8	SDA0	SDA0	X	X
B9	SDHC_D3 / SPI1_CS0_b	SPI1_CS0	X	X	A9	GPIO9 / CTS1	GPIO9	X	X
B10	SDHC_CMD / SPI1_MOSI	SPI1_MOSI	X	X	A10	GPIO8 / SDHC_D2	GPIO8	X	X
B11	SDHC_D0 / SPI1_MISO	SPI1_MISO	X	X	A11	GPIO7 / SD_WP_DET	GPIO7	X	X
B12	ETH_COL				A12	ETH_CRCS			
B13	ETH_RXER				A13	ETH_MDC			
B14	ETH_TXCLK				A14	ETH_MDIO			
B15	ETH_TXEN				A15	ETH_RXCLK			
B16	ETH_TXER				A16	ETH_RXDV			
B17	ETH_TXD3				A17	ETH_RXD3			
B18	ETH_TXD2				A18	ETH_RXD2			
B19	ETH_TXD1				A19	ETH_RXD1			
B20	ETH_TXD0				A20	ETH_RXD0			
B21	GPIO1 / RTS1				A21	SSI_MCLK			
B22	GPIO2 / SDHC_D1				A22	SSI_BCLK			
B23	GPIO3				A23	SSI_FS			
B24	CLKIN0				A24	SSI_RXD			
B25	CLKOUT1				A25	SSI_TXD			
B26	GND	Ground	X		A26	GND	Ground	X	
B27	AN7				A27	AN3			
B28	AN6				A28	AN2			
B29	AN5				A29	AN1			
B30	AN4				A30	AN0			
B31	GND	Ground	X		A31	GND	Ground	X	
B32	DAC1				A32	DAC0			
B33	TMR3				A33	TMR1			
B34	TMR2				A34	TMR0			
B35	GPIO4				A35	GPIO6			
B36	3.3V	3.3V Power	X		A36	3.3V	3.3V Power	X	
B37	PWM7				A37	PWM3			
B38	PWM6				A38	PWM2			
B39	PWM5				A39	PWM1			
B40	PWM4				A40	PWM0			
B41	CANRX0				A41	RXD0			
B42	CANTX0				A42	TXD0			
B43	1WIRE				A43	RXD1			
B44	SPIO_MISO	SPIO_MISO	X	X	A44	TXD1			
B45	SPIO_MOSI	SPIO_MOSI	X	X	A45	VSS			
B46	SPIO_CS0_b	SPIO_CS0	X	X	A46	VDDA			
B47	SPIO_CS1_b	SPIO_CS1	X	X	A47	VREFA1			

TWR-ADC DAC-LTC Primary Connector									
Pin #	Side B				Pin #	Side A			
	Name	Usage	Used	Jmp		Name	Usage	Used	Jmp
B48	SPIO_CLK	SPIO_CLK	X	X	A48	VREFA2			
B49	GND	Ground	X		A49	GND			
B50	SCL1				A50	GPIO14			
B51	SDA1				A51	GPIO15			
B52	GPIO5 / SD_CARD_DET				A52	GPIO16			
B53	USB0_DP_PDOWN				A53	GPIO17			
B54	USB0_DM_PDOWN				A54	USB0_DM			
B55	IRQ_H				A55	USB0_DP			
B56	IRQ_G				A56	USB0_ID			
B57	IRQ_F				A57	USB0_VBUS			
B58	IRQ_E				A58	TMR7			
B59	IRQ_D				A59	TMR6			
B60	IRQ_C				A60	TMR5			
B61	IRQ_B				A61	TMR4			
B62	IRQ_A				A62	RSTIN_b			
B63	EBI_ALE / EBI_CS1_b				A63	RSTOUT_b			
B64	EBI_CS0_b				A64	CLKOUT0			
B65	GND	Ground	X		A65	GND	Ground	X	
B66	EBI_AD15				A66	EBI_AD14			
B67	EBI_AD16				A67	EBI_AD13			
B68	EBI_AD17				A68	EBI_AD12			
B69	EBI_AD18				A69	EBI_AD11			
B70	EBI_AD19				A70	EBI_AD10			
B71	EBI_R/W_b				A71	EBI_AD9			
B72	EBI_OE_b				A72	EBI_AD8			
B73	EBI_D7				A73	EBI_AD7			
B74	EBI_D6				A74	EBI_AD6			
B75	EBI_D5				A75	EBI_AD5			
B76	EBI_D4				A76	EBI_AD4			
B77	EBI_D3				A77	EBI_AD3			
B78	EBI_D2				A78	EBI_AD2			
B79	EBI_D1				A79	EBI_AD1			
B80	EBI_D0				A80	EBI_AD0			
B81	GND	Ground	X		A81	GND	Ground	X	
B82	3.3V	3.3V Power	X		A82	3.3V	3.3V Power	X	

Компания «Океан Электроники» предлагает заключение долгосрочных отношений при поставках импортных электронных компонентов на взаимовыгодных условиях!

Наши преимущества:

- Поставка оригинальных импортных электронных компонентов напрямую с производств Америки, Европы и Азии, а так же с крупнейших складов мира;
- Широкая линейка поставок активных и пассивных импортных электронных компонентов (более 30 млн. наименований);
- Поставка сложных, дефицитных, либо снятых с производства позиций;
- Оперативные сроки поставки под заказ (от 5 рабочих дней);
- Экспресс доставка в любую точку России;
- Помощь Конструкторского Отдела и консультации квалифицированных инженеров;
- Техническая поддержка проекта, помощь в подборе аналогов, поставка прототипов;
- Поставка электронных компонентов под контролем ВП;
- Система менеджмента качества сертифицирована по Международному стандарту ISO 9001;
- При необходимости вся продукция военного и аэрокосмического назначения проходит испытания и сертификацию в лаборатории (по согласованию с заказчиком);
- Поставка специализированных компонентов военного и аэрокосмического уровня качества (Xilinx, Altera, Analog Devices, Intersil, Interpoint, Microsemi, Actel, Aeroflex, Peregrine, VPT, Syfer, Eurofarad, Texas Instruments, MS Kennedy, Miteq, Cobham, E2V, MA-COM, Hittite, Mini-Circuits, General Dynamics и др.);

Компания «Океан Электроники» является официальным дистрибьютором и эксклюзивным представителем в России одного из крупнейших производителей разъемов военного и аэрокосмического назначения «JONHON», а так же официальным дистрибьютором и эксклюзивным представителем в России производителя высокотехнологичных и надежных решений для передачи СВЧ сигналов «FORSTAR».



JONHON

«JONHON» (основан в 1970 г.)

Разъемы специального, военного и аэрокосмического назначения:

(Применяются в военной, авиационной, аэрокосмической, морской, железнодорожной, горно- и нефтедобывающей отраслях промышленности)

«FORSTAR» (основан в 1998 г.)

ВЧ соединители, коаксиальные кабели, кабельные сборки и микроволновые компоненты:

(Применяются в телекоммуникациях гражданского и специального назначения, в средствах связи, РЛС, а так же военной, авиационной и аэрокосмической отраслях промышленности).



Телефон: 8 (812) 309-75-97 (многоканальный)

Факс: 8 (812) 320-03-32

Электронная почта: ocean@oceanchips.ru

Web: <http://oceanchips.ru/>

Адрес: 198099, г. Санкт-Петербург, ул. Калинина, д. 2, корп. 4, лит. А